



T&S BRASS AND BRONZE WORKS, INC.

2 Saddleback Cove / P.O. Box 1088
Travelers Rest, SC 29690

Model No.

MPZ-8WCN-06

Item No.

Travelers Rest, SC: 800-476-4103 • Simi Valley, CA: 800-423-0150 • Fax: 864-834-3518 • www.tsbrass.com

For Commercial Use Only

This Space for Architect/Engineer Approval

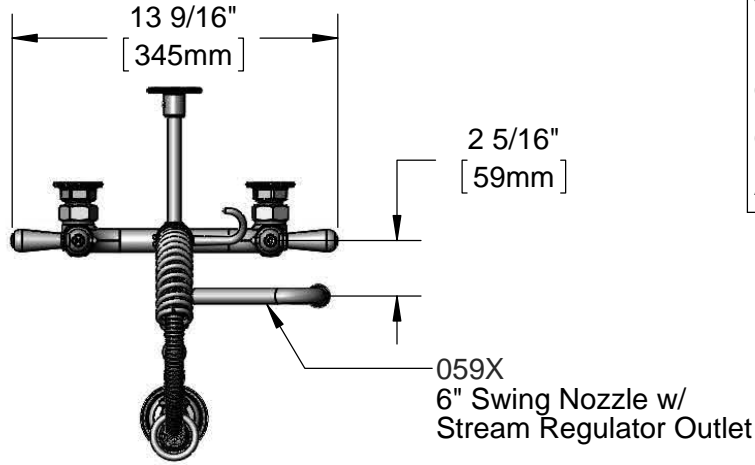
Job Name _____ Date _____

Model Specified _____ Quantity _____

Customer/Wholesaler _____

Contractor _____

Architect/Engineer _____



2 5/16"
[59mm]

059X
6" Swing Nozzle w/
Stream Regulator Outlet



24" Flexible Stainless
Steel Hose w/ Spring
& Spray Valve

2 5/16"
[59mm]

Items Not Shown
for Clarity

3/8" NPT x
8" Riser

B-0107
1.42 GPM
Spray Valve

Finger
Hook

B-0109-01
6" Wall
Bracket

22 1/8"
[561mm]

EasyInstall
Lock Nut &
Bushing

3 7/8"
[98mm]

10 1/16"
[256mm]

7 3/8"
[187mm]

5 1/8"
[130mm]

EasyInstall Add-On
Faucet w/ Quarter-Turn
Eterna Cartridge & Club
Handle

8"
[203mm]

Adjustable From
7 3/4" to 8 1/4"
[197mm to 210mm]

Eterna Cartridges w/
Spring Checks &
Club Handles

7 3/8"
[188mm]

2 3/8"
[61mm]

Mounting
Surface

Product Specifications:

Pre-Rinse Unit: EasyInstall 8" Wall Mount Mixing Faucet, Eterna Cartridges w/ Spring Checks, Club Handles, Add-On Faucet w/ 6" Swing Nozzle, Compact Spring, 24" Flexible Stainless Steel Hose, 1.42 GPM Spray Valve, 6" Wall Bracket & 18" Flexible Supply Hoses

Product Compliance:

ASME A112.18.1 / CSA B125.1
NSF 61 - Section 9
NSF 372 (Low Lead Content)
EPA Act 2005 (PRSV)



T&S BRASS AND BRONZE WORKS, INC.

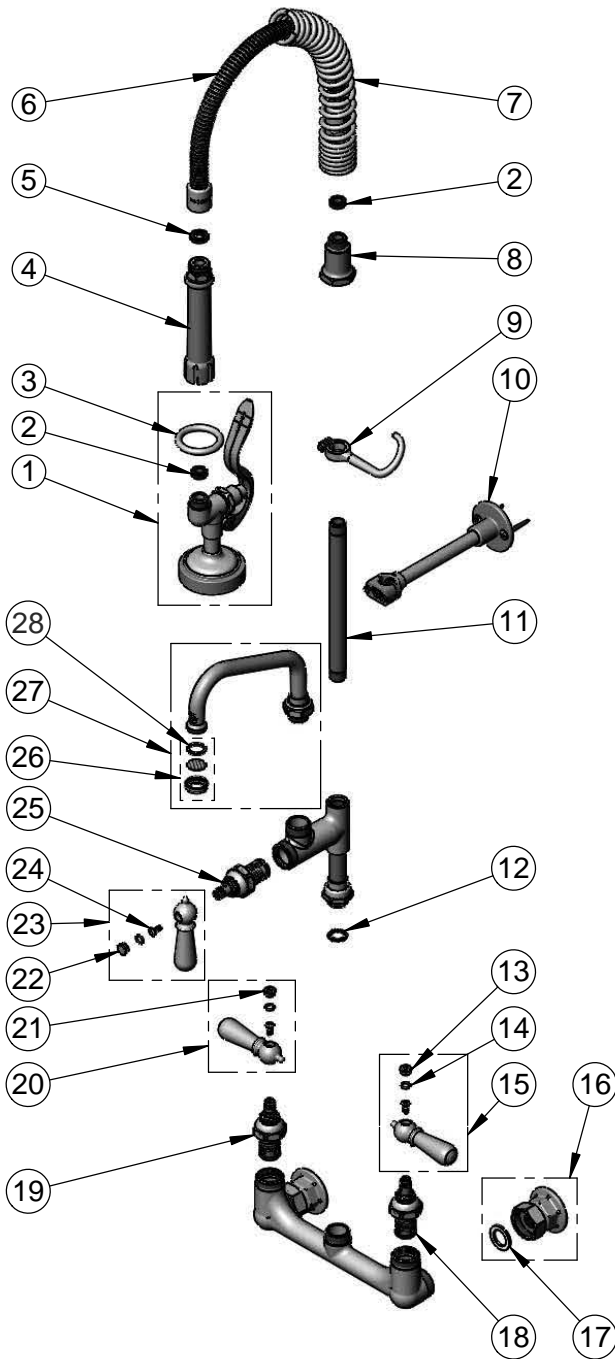
2 Saddleback Cove / P.O. Box 1088
Travelers Rest, SC 29690

Model No.

MPZ-8WCN-06

Item No.

Travelers Rest, SC: 800-476-4103 • Simi Valley, CA: 800-423-0150 • Fax: 864-834-3518 • www.tsbrass.com



ITEM NO.	SALES NO.	DESCRIPTION
1	B-0107	1.42 GPM Spray Valve
2	010476-45	#27 Washer
3	000907-45	Spray Valve Hold Down Ring
4	002987-40	Grip Handle
5	001014-45	Washer, B-0100 Hose Barrel
6	B-0024-H2A	24" Flexible Stainless Steel Hose, Less Handle
7	016795-45	Compact Spring
8	000821-40	Spring Body
9	004R	Finger Hook
10	B-0109-01	6" Wall Bracket
11	078X	3/8" NPT x 8" Riser
12	014200-45	Star Washer, Anti-Rotation
13	009304-41	Decorative Cap Insert, Cold
14	001066-45	O-Ring
15	009331-41	Decorative Club Handle - Cold
16	00AA	1/2" NPT Female Eccentric Flange
17	001019-45	Coupling Nut Washer
18	012442-40	Eterna Cartridge, LTC w/ Spring Check
19	012443-40	Eterna Cartridge, RTC w/ Spring Check
20	009332-41	Decorative Club Handle - Hot
21	009303-41	Decorative Cap Insert, Hot
22	009285-40	Cap Insert Blank
23	017181-41	Decorative Club Handle - Blank
24	000922-45	Lever Handle Screw
25	005960-40QT	Quarter-Turn Eterna Cartridge, RTC
26	B-PT	Stream Regulator Outlet
27	059X	6" Swing Nozzle
28	001048-45	Nozzle Tip Washer

Product Specifications:

Pre-Rinse Unit: EasyInstall 8" Wall Mount Mixing Faucet, Eterna Cartridges w/ Spring Checks, Club Handles, Add-On Faucet w/ 6" Swing Nozzle, Compact Spring, 24" Flexible Stainless Steel Hose, 1.42 GPM Spray Valve, 6" Wall Bracket & 18" Flexible Supply Hoses

Product Compliance:

ASME A112.18.1 / CSA B125.1
NSF 61 - Section 9
NSF 372 (Low Lead Content)
EPA Act 2005 (PRSV)