



# T&S BRASS AND BRONZE WORKS, INC.

2 Saddleback Cove / P.O. Box 1088  
Travelers Rest, SC 29690

Model No.

**MPZ-8WLV-08-CR**

Item No.

Travelers Rest, SC: 800-476-4103 • Simi Valley, CA: 800-423-0150 • Fax: 864-834-3518 • www.tsbrass.com

For Commercial Use Only

This Space for Architect/Engineer Approval

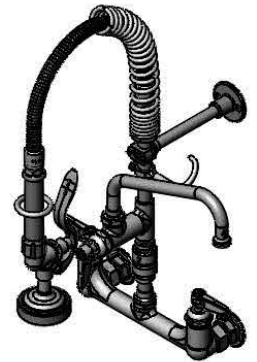
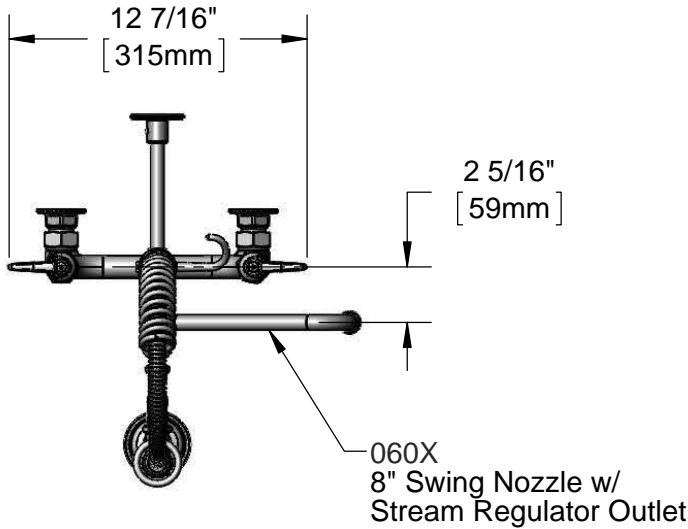
Job Name \_\_\_\_\_ Date \_\_\_\_\_

Model Specified \_\_\_\_\_ Quantity \_\_\_\_\_

Customer/Wholesaler \_\_\_\_\_

Contractor \_\_\_\_\_

Architect/Engineer \_\_\_\_\_



24" Flexible Stainless  
Steel Hose w/ Spring  
& Spray Valve

Items Not Shown  
For Clarity

B-0107  
1.42 GPM  
Spray Valve

B-0970-FEZ  
Vacuum  
Breaker

3 9/16"  
[91mm]

8"  
[203mm]

Adjustable From  
7 3/4" to 8 1/4"  
[197mm to 210mm]

8"  
[203mm]

12 1/2"  
[317mm]

9 3/4"  
[248mm]

Quarter-Turn Cerama  
Cartridges w/ Check  
Valves & Lever Handles  
w/ Color Coded Indexes

4"  
[102mm]

Mounting  
Surface

7 3/8"  
[188mm]

2 3/8"  
[61mm]

B-0109-01  
6" Wall  
Bracket

Finger  
Hook

3/8" NPT x 5 3/16"  
Riser

Add-On Faucet w/  
Quarter-Turn Cerama  
Cartridge & Lever  
Handle

Ø2" [51mm]  
Flanges w/  
1/2" NPT  
Female Inlets

21 1/8"  
[536mm]

**Product Specifications:**

Pre-Rinse Unit: EasyInstall 8" Wall Mount Mixing Facet, Quarter-Turn Cerama Cartridges w/ Check Valves, Lever Handles, Add-On Faucet w/ 8" Swing Nozzle, Vacuum Breaker, Compact Spring, 24" Flexible Stainless Steel Hose, 1.42 GPM Spray Valve, 6" Wall Bracket & 1/2" NPT Female Inlets

**Product Compliance:**

ASME A112.18.1 / CSA B125.1  
NSF 61 - Section 9  
NSF 372 (Low Lead Content)  
EPA Act 2005 (PRSV)  
CSA B64.8 (VB)



# T&S BRASS AND BRONZE WORKS, INC.

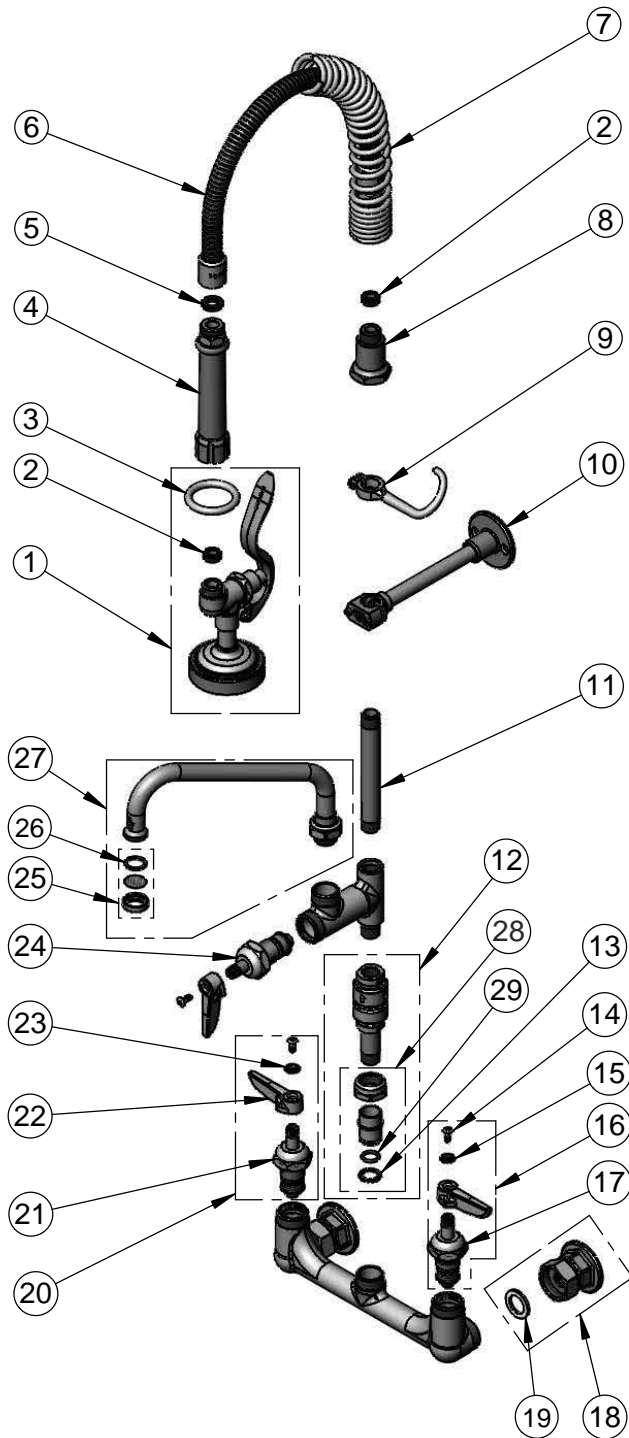
2 Saddleback Cove / P.O. Box 1088  
Travelers Rest, SC 29690

Model No.

**MPZ-8WLV-08-CR**

Item No.

Travelers Rest, SC: 800-476-4103 • Simi Valley, CA: 800-423-0150 • Fax: 864-834-3518 • www.tsbrass.com



ITEM NO.	SALES NO.	DESCRIPTION
1	B-0107	1.42 GPM Spray Valve
2	010476-45	#27 Washer
3	000907-45	Hold Down Ring
4	002987-40	Grip Handle
5	001014-45	Washer, B-0100 Hose Barrel
6	B-0024-H2A	24" Flexible Stainless Steel Hose, Less Handle
7	016795-45	Compact Spring
8	000821-40	Spring Body
9	004R	Finger Hook
10	B-0109-01	6" Wall Bracket
11	001617-40	3/8" NPT x 5-3/16" Riser
12	B-0970-FEZ	EasyInstall Vacuum Breaker
13	014200-45	Star Washer, Anti-Rotation
14	000922-45	Lever Handle Screw
15	001660-45	Blue Index - CW
16	012447-25	Quarter-Turn Cerama Cartridge, LTC w/ Check Valve, Handle, Index & Screw
17	012395-25	Quarter-Turn Cerama Cartridge, LTC w/ Check Valve
18	00AA	1/2" NPT Female Eccentric Flange
19	001019-45	Coupling Nut Washer
20	012446-25	Quarter-Turn Cerama Cartridge, RTC w/ Check Valve, Handle, Index & Screw
21	012394-25	Quarter-Turn Cerama Cartridge, RTC w/ Check Valve
22	001638-45	Lever Handle
23	001661-45	Red Index - HW
24	011278-25	Quarter-Turn Cerama Cartridge, RTC
25	B-PT	Stream Regulator Outlet
26	001048-45	Nozzle Tip Washer
27	060X	8" Swing Nozzle
28	EZ-K	EasyInstall Kit: Nut, Bushing, O-Ring & Lock Washer
29	001065-45	O-Ring

**Product Specifications:**

Pre-Rinse Unit: EasyInstall 8" Wall Mount Mixing Facet, Quarter-Turn Cerama Cartridges w/ Check Valves, Lever Handles, Add-On Faucet w/ 8" Swing Nozzle, Vacuum Breaker, Compact Spring, 24" Flexible Stainless Steel Hose, 1.42 GPM SprayValve, 6" Wall Bracket & 1/2" NPT Female Inlets

**Product Compliance:**

ASME A112.18.1 / CSA B125.1  
NSF 61 - Section 9  
NSF 372 (Low Lead Content)  
EPA Act 2005 (PRSV)  
CSA B64.8 (VB)