



T&S BRASS AND BRONZE WORKS, INC.

2 Saddleback Cove / P.O. Box 1088
Travelers Rest, SC 29690



REG. #A2601
ISO #9001

Model No.

MPZ-KIT-LN06-CR

Item No.

Travelers Rest, SC: 800-476-4103 Simi Valley, CA: 800-423-0150 Fax: 864-834-3518 www.tsbrass.com

This Space for Architect/Engineer Approval

Job Name _____ Date _____

Model Specified _____ Quantity _____

Customer/Wholesaler _____

Contractor _____

Architect/Engineer _____

EPAAct2005 Compliant

For Commercial Use Only



B-0024-H
24" Stainless Steel
Hose w/ Polyurethane
Inner Hose & Handle

Overhead Spring, Hose
& Spray Valve Not Shown
For Clarity

Swing Nozzle
Not Shown For
Clarity

059X
6" Swing
Nozzle w/
B-PT Stream
Regulator

B-0107
Spray Valve
w/ 1.42 GPM
Flow Rate

004R
Finger
Hook

000364-40
3/8" NPT
x 8" Riser

21 3/16"
[622mm]

6"
[152mm]

8 7/8"
[226mm]

B-0109-01
6" Wall
Bracket

Cerama Cartridge &
Lever Handle

Product Specifications:

**Easy Install Mini Pre-Rinse Unit Retro-Fit:
Add-On Faucet, 6" Swing Nozzle, Compact Spring
& Flex Hose, B-0107 Spray Valve, 6" Wall Bracket,
Lever Handle & Cerama**

Drawn
JRM

Checked
GEF

Approved
JHB

Scale:

1:8

Date:

10/20/09



T&S BRASS AND BRONZE WORKS, INC.

2 Saddleback Cove / P.O. Box 1088
Travelers Rest, SC 29690



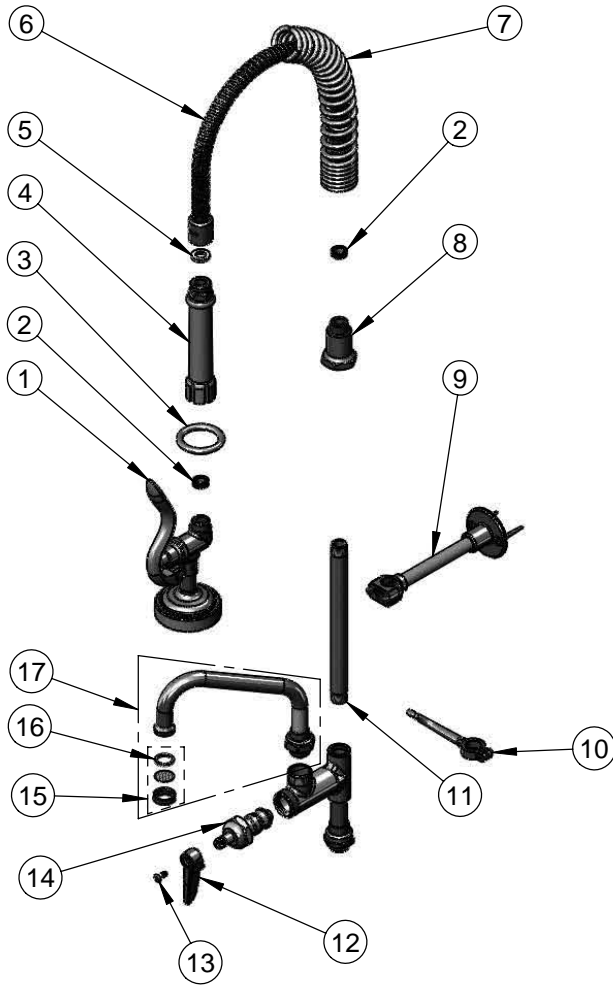
REG. #A2601
ISO #9001

Model No.

MPZ-KIT-LN06-CR

Item No.

Travelers Rest, SC: 800-476-4103 Simi Valley, CA: 800-423-0150 Fax: 864-834-3518 www.tsbrass.com



ITEM NO.	SALES NO.	DESCRIPTION
1	B-0107	1.42 GPM Spray Valve
2	010476-45	#27 Washer
3	000907-45	Spray Valve Hold Down Ring
4	002987-40	Grip Handle Assembly
5	001014-45	Washer, B-0100 Hose Barrel
6	B-0024-H2A	24" Flex Hose Less Handle
7	016795-45	Compact Spring
8	000821-40	Spring Body
9	B-0109-01	Bracket Assembly, 6" Wall
10	004R	Finger Hook Assembly
11	000364-40	3/8" x 8" Riser
12	001638-45	Lever Handle
13	000922-45	Lever Handle Screw
14	011278-25	Ceramic Cartridge RTC
15	B-PT	Stream Regulator Outlet
16	001048-45	Nozzle Tip Washer
17	059X	6" Swing Nozzle

Product Specifications:

Easy Install Mini Pre-Rinse Unit Retro-Fit:
Add-On Faucet, 6" Swing Nozzle, Compact Spring
& Flex Hose, B-0107 Spray Valve, 6" Wall Bracket,
Lever Handle & Cerama

Drawn JRM	Checked GEF	Approved JHB
Scale: NTS		Date: 10/20/09