



**T&S BRASS AND BRONZE WORKS, INC.**  
 2 Saddleback Cove / P.O. Box 1088  
 Travelers Rest, SC 29690

Model No.  
**P3-8WESV-00M**

Item No.

Travelers Rest, SC: 800-476-4103 • Simi Valley, CA: 800-423-0150 • Fax: 864-834-3518 • www.tsbrass.com

This Space for Architect/Engineer Approval

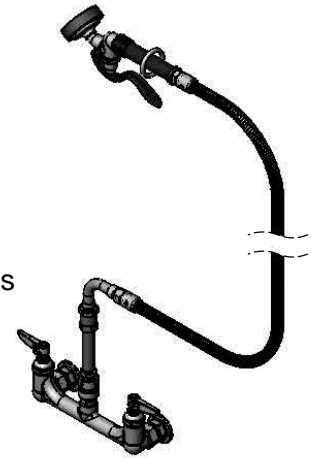
Job Name \_\_\_\_\_ Date \_\_\_\_\_

Model Specified \_\_\_\_\_ Quantity \_\_\_\_\_

Customer/Wholesaler \_\_\_\_\_

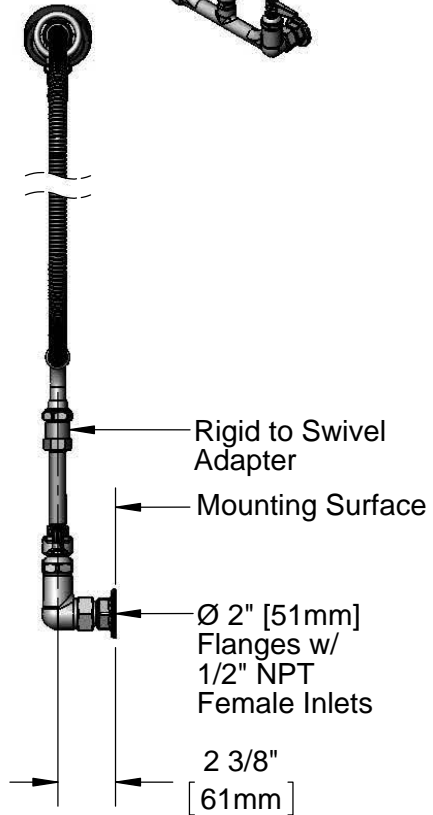
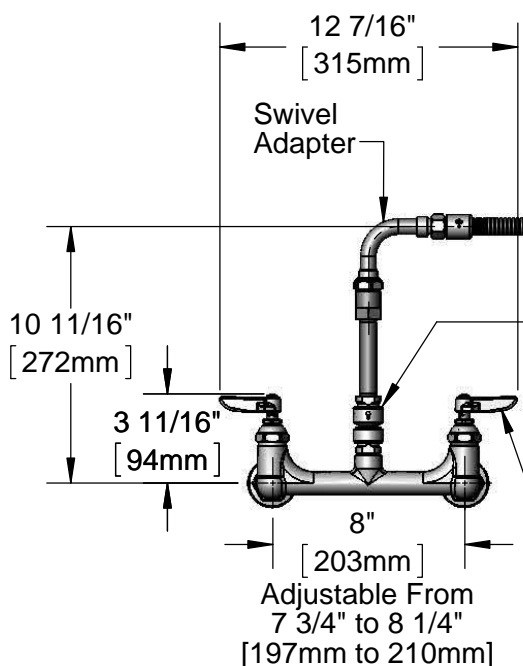
Contractor \_\_\_\_\_

Architect/Engineer \_\_\_\_\_



EB-0107-035  
 High Flow Angled  
 Spray Valve (Blue)

96" Flexible Stainless  
 Steel Hose



Product Specifications:  
 8" Wall Mount Mixing Faucet, Eterna Cartridges w/ Spring Checks, Lever Handles, Vacuum Breaker, 96" Flexible Stainless Steel Hose, High Flow Spray Valve (Blue), Hanger Hook & 1/2" NPT Female Inlets

Product Compliance:  
 EPA Act 2005 Non-Compliant (PRSV)  
 CSA B64.8 (VB)  
 NSF 61 Exempt (Non-Potable)



# T&S BRASS AND BRONZE WORKS, INC.

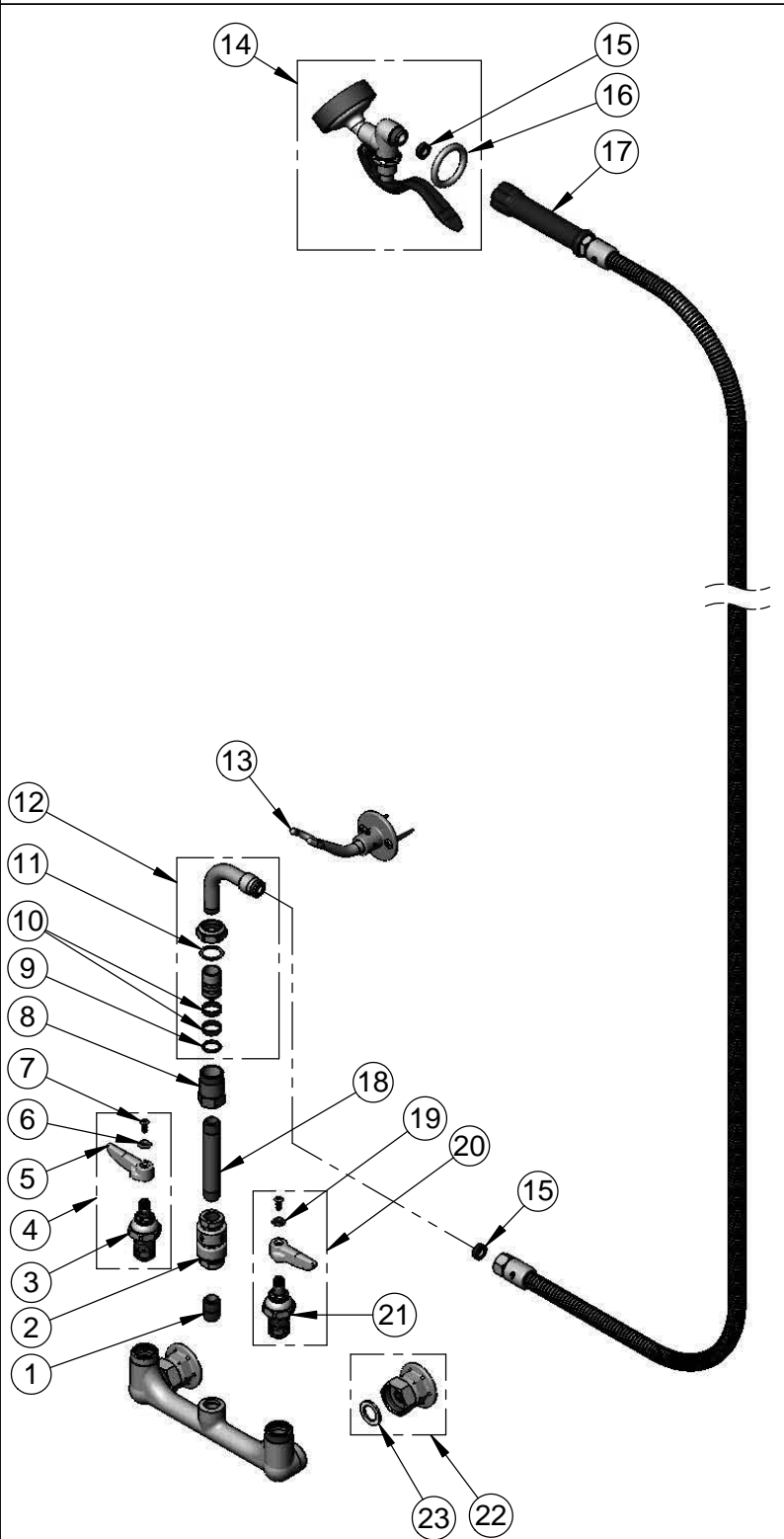
2 Saddleback Cove / P.O. Box 1088  
Travelers Rest, SC 29690

Model No.

**P3-8WESV-00M**

Item No.

Travelers Rest, SC: 800-476-4103 • Simi Valley, CA: 800-423-0150 • Fax: 864-834-3518 • www.tsbrass.com



ITEM NO.	SALES NO.	DESCRIPTION
1	002535-25	3/8" Close Nipple
2	B-0970-FE	3/8" NPT Vacuum Breaker
3	012443-40	Eterna Cartridge, RTC w/ Spring Check
4	002712-40	Eterna Cartridge, RTC w/ Spring Check, Handle, Index & Screw
5	001638-45	Lever Handle
6	001661-45	Red Index-HW
7	000922-45	Lever Handle Screw
8	054X	Swivel Body
9	001074-45	O-Ring
10	011429-45	Swivel Sleeves (2)
11	009538-45	Swivel Washer
12	034A	Swivel Adapter
13	B-0166	Hanger Hook w/ Mounting Screws
14	EB-0107-035	High Flow Angled Spray Valve (Blue)
15	010476-45	#27 Washer
16	000907-45	Spray Valve Hold Down Ring
17	EB-0096-H	96" Flexible Stainless Steel Hose w/ Blue Grip Handle
18	000360-40	3/8" NPT x 4" Nipple
19	001660-45	Blue Index-CW
20	002711-40	Eterna Cartridge, LTC w/ Spring Check, Handle, Index & Screw
21	012442-40	Eterna Cartridge, LTC w/ Spring Check
22	00AA	1/2" NPT Female Eccentric Flange
23	001019-45	Coupling Nut Washer

**Product Specifications:**

8" Wall Mount Mixing Faucet, Eterna Cartridges w/ Spring Checks, Lever Handles, Vacuum Breaker, 96" Flexible Stainless Steel Hose, High Flow Spray Valve (Blue), Hanger Hook & 1/2" NPT Female Inlets

**Product Compliance:**

EPA Act 2005 Non-Compliant (PRSV)  
CSA B64.8 (VB)  
NSF 61 Exempt (Non-Potable)