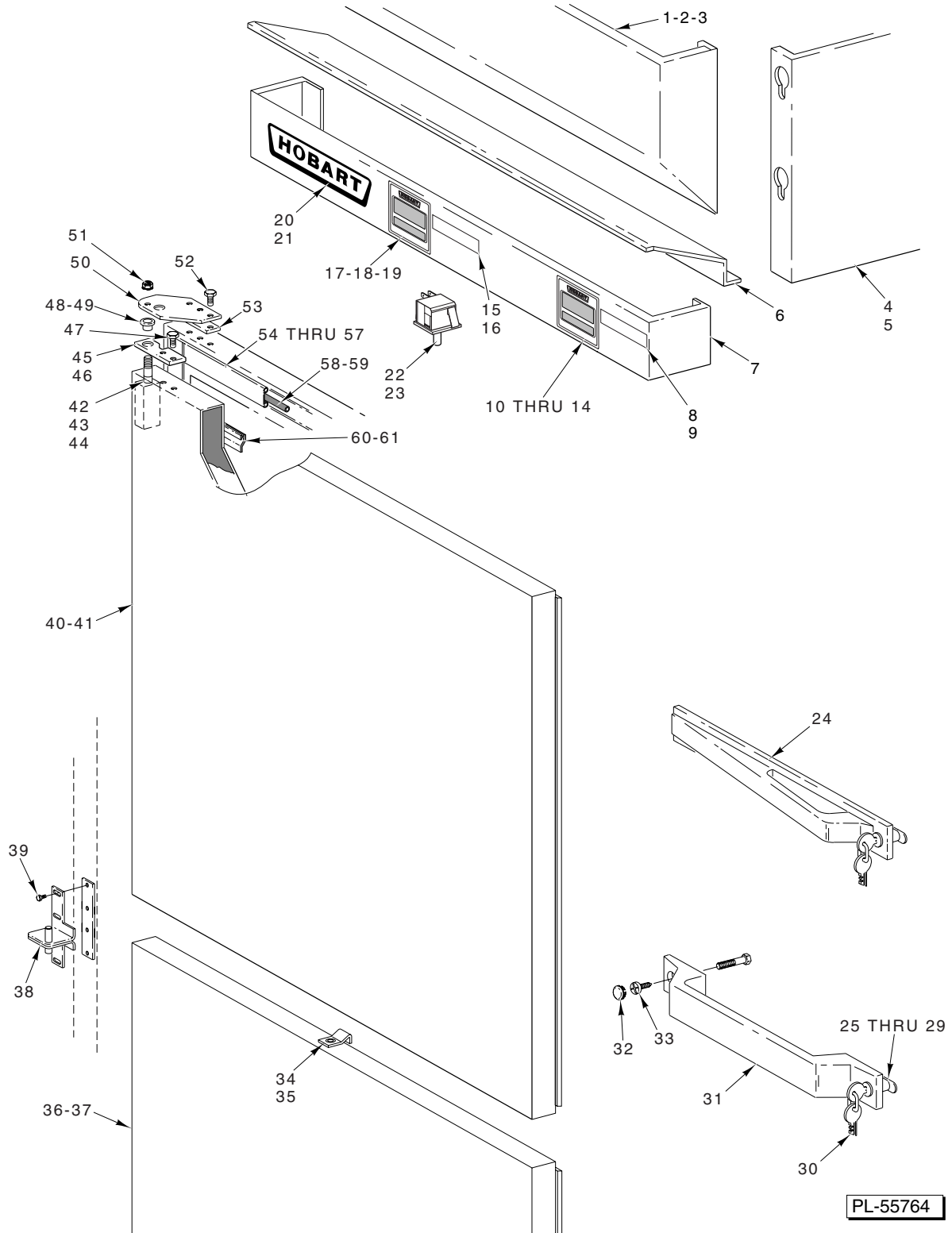




**CATALOG OF**

**REPLACEMENT PARTS**

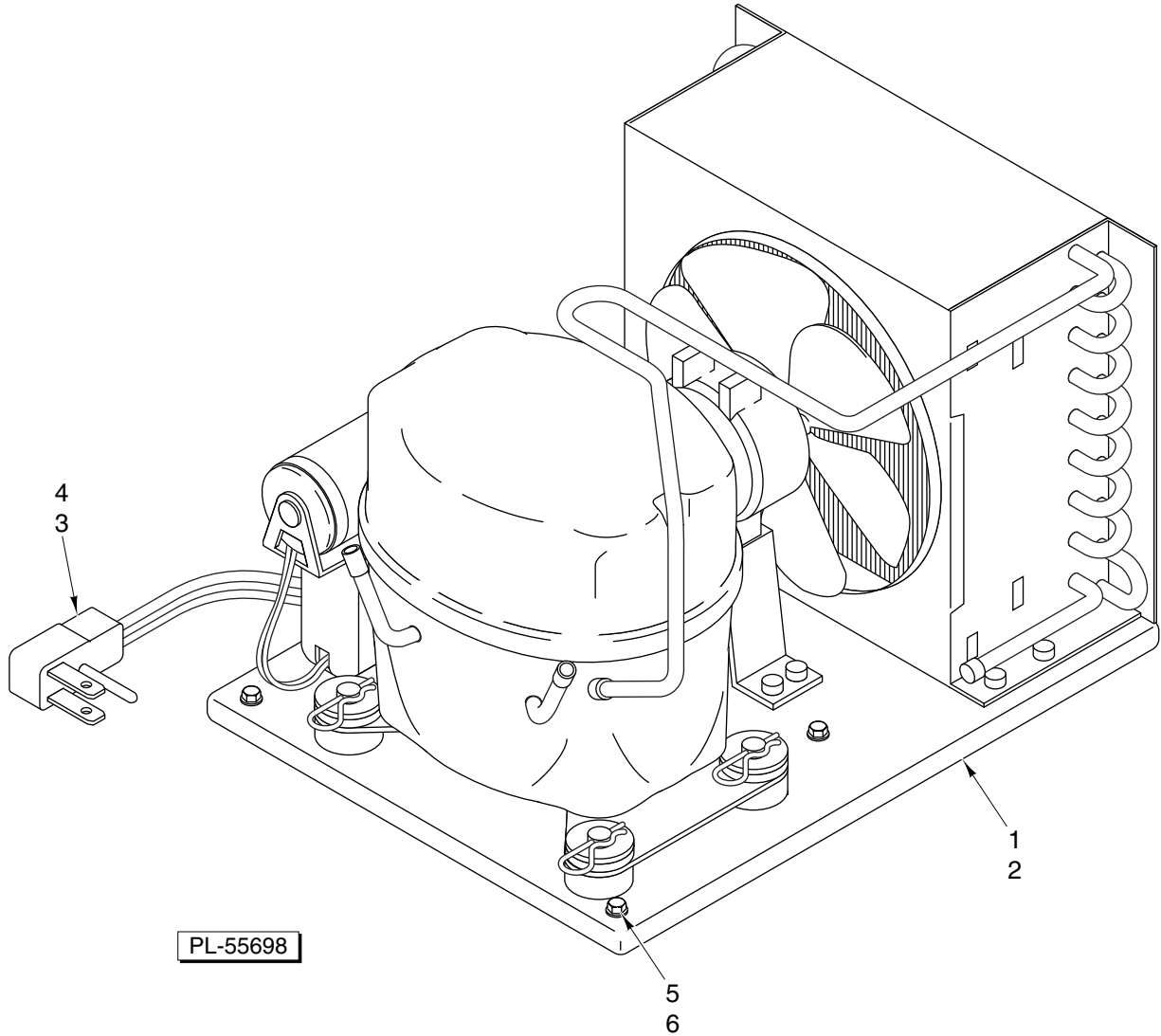
**Q SERIES OVER/UNDER  
REFRIGERATION SYSTEM**



CABINET UNIT

CABINET UNIT

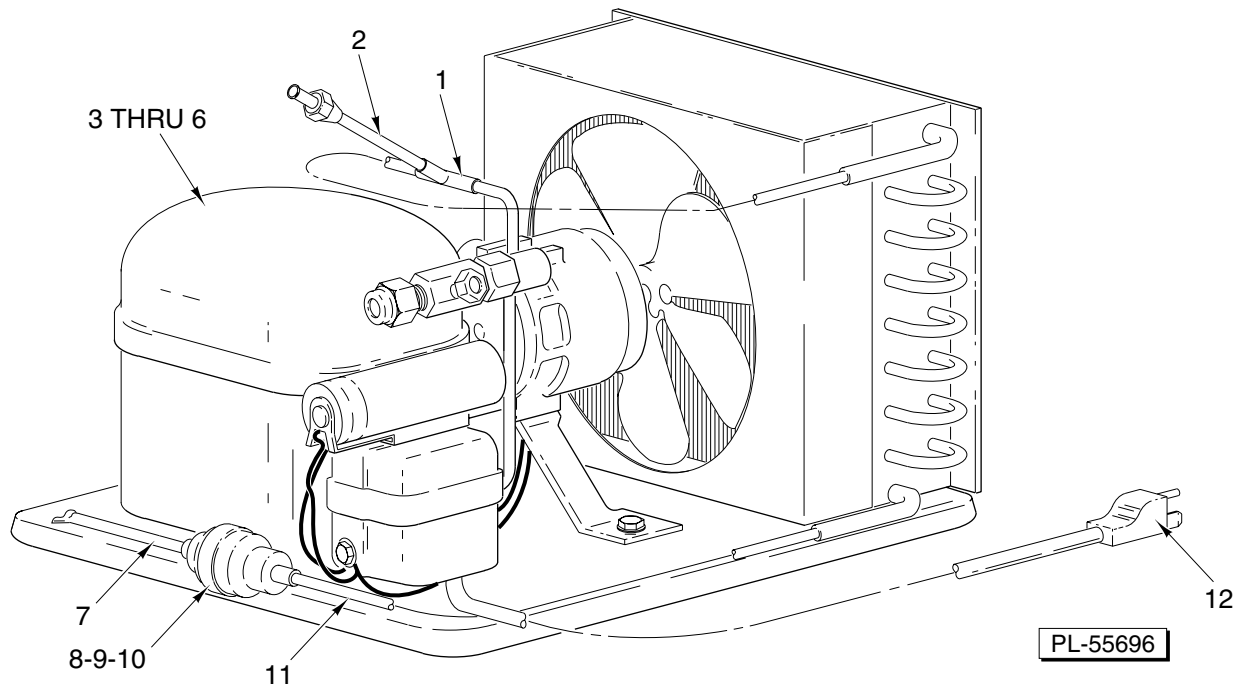
ILLUS.	PART NO.	NAME OF PART	AMT.
	PL-55764		
1	00-267104-00004	Trim – Front (SST) (QSALF1, QSLF1, & QSUF1) .....	1
2	00-432330-00001	Trim – Front (SST) (Outback Model ML-111574) .....	1
3	00-267104-00001	Trim – Front (Alum.) (QSLF1 & QSUF1) .....	1
4	00-267103-00003	Trim – End Housing (SST) (QSALF1, QSLF1, & QSUF1) .....	1
5	00-432329-00001	Trim – End Housing (SST) (Outback Model ML-111574) .....	1
6	00-434529	Cover – Rail .....	1
7	00-281489	Trim – Rail .....	1
8	00-264856	Label – Refrigerator Upper .....	1
9	00-264859	Label – Freezer Upper .....	1
10	00-432120-00001	Nameplate – Refrigerator Thermometer .....	1
11	00-432120-00002	Nameplate – Freezer Thermometer .....	1
12	00-269723-00001	Label – Refrigerator Thermometer (Previous Construction) .....	1
13	00-269723-00002	Label – Freezer Thermometer (Previous Construction) .....	1
14	00-431677	Thermometer – Solar .....	1
15	00-264858	Label – Refrigerator Lower .....	1
16	00-264857	Label – Freezer Lower .....	1
17	00-432120-00001	Nameplate – Refrigerator Thermometer .....	1
18	00-432120-00002	Nameplate – Freezer Thermometer .....	1
19	00-431677	Thermometer – Solar .....	1
20	00-280224	Nameplate – Hobart .....	1
21	00-206177	Clip – Nameplate .....	2
22	00-087711-00303	Switch – Normally Closed .....	1
23	00-206123	Switch .....	1
24	00-239038	Handle Assy. ....	1
25	00-269315	Lock Plug Assy. (XC3) (Incls. Item 30) .....	1
26	SD-036-19	Self-Tapping Screw 10-32 x 1¼ Phil. Pan Hd., Type TT .....	1
27	00-261692	O-Ring .....	1
28	00-261688	Bolt – Handle .....	1
29	SA-021-36	Screw Assy. 10-24 x ¾ Phil. Pan Hd., Internal Lockwasher .....	1
30	00-206068	Key (XC3) .....	2
31	00-281548	Handle – Door .....	1
32	PB-004-26	Plug – Button .....	1
33	SD-033-35	Self-Tapping Screw 12-24 x ¾ Phil. Flat Countersunk Hd., Type T .....	1
34	00-267711	Block – Plunger .....	1
35	SC-066-19	Mach. Screw 10-32 x 7/16 Phil. Truss Hd. (SST) .....	1
36	00-267254-00022	Door (RH Upper and LH Lower) (SST) .....	1
37	00-432532-00002	Door (RH Upper and LH Lower) (Outback Model ML-111574) .....	1
38	00-267042	Hinge – Center Assy. ....	1
39	SC-122-78	Mach. Screw 10-32 x 1½ Phil Truss Hd. ....	4
40	00-267254-00021	Door (LH Upper and RH Lower) (SST) .....	1
41	00-432532-00001	Door (LH Upper and RH Lower) (Outback Model ML-111574) .....	1
42	00-265839	Hinge Mechanism Assy. ....	1
43	SA-021-37	Mach. Screw 10-32 x 5/16 Phil. Rd. Hd., Internal Washer .....	2
44	WS-19-20	Washer .....	1
45	00-239665	Door Stop (LH) .....	1
46	00-239666	Door Stop (RH) .....	1
47	SA-021-37	Mach. Screw 10-32 x 5/16 Phil. Rd. Hd., Internal Washer .....	2
48	00-239558	Bushing – Door Stop (STD) .....	1
49	00-267174	Bushing – Door Stop (Short) .....	1
50	00-267387	Plate – Door Stop Reinforcement .....	1
51	00-239158	Nut ¼-28 Flanged .....	1
52	SD-038-71	Self-Tapping Screw 5/16-18 x 1 Hex Washer Hd., Type TT .....	3
53	00-265716	Plate – Washer Hinge .....	3
54	00-280368-00001	Plate – Gasket Seal Upper Horizontal .....	2
55	00-280368-00002	Plate – Gasket Seal Vertical .....	2
56	00-267707-00002	Plate – Gasket Seal Center (W/Switch) .....	1
57	00-828983-00003	Plate – Gasket Seal Wide .....	1
58	00-282220-00002	Heater – Wire Assy. ....	1
59	00-283079-00001	Harness – Heater Door Switch .....	1
60	00-280984-00002	Gasket – Door .....	1
61	00-280834-00009	Gasket – Door .....	1
	00-281490-00001	Rail – Trim W/Thermometers (QSALF1 & QSLF1) (Incls. Items 7, 8, 11, 14, 16, 17, 20, 21, & 22) .....	1
	00-281490-00002	Rail – Trim W/Thermometers (QSAUF1 & QSUF1) (Incls. Items 7, 9, 10, 15, 18, 19, 20, 21, & 22) .....	1
	00-239309-00004	Plug – Hole .....	1
	00-748900	Bracket – Actuator Switch .....	1



**CONDENSING UNIT REFRIGERATOR/FREEZER  
(CURRENT CONSTRUCTION)**

**CONDENSING UNIT REFRIGERATOR/FREEZER  
(CURRENT CONSTRUCTION)**

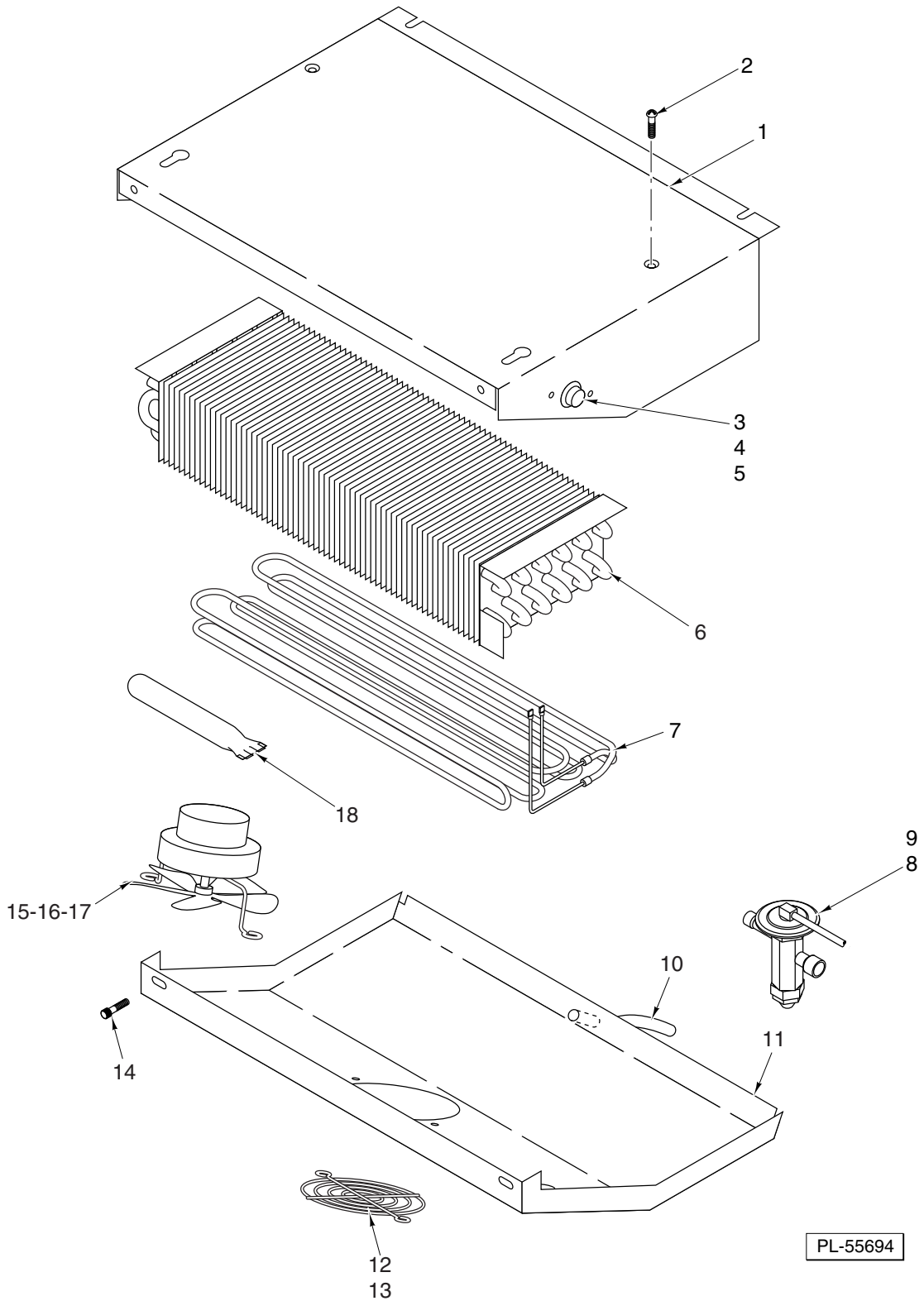
ILLUS.	PART NO.	NAME OF PART	AMT.
PL-55698			
1	00-434293-00001	Condensing Unit (Refrigerator) .....	1
2	00-434293-00002	Condensing Unit (Freezer) .....	1
3	00-239000	Cord (15 Amp.) (115 V.) .....	1
4	00-434499	Cord – Power (20 Amp.) (115 V.) .....	1
5	SC-109-44	Mach. Screw 1/4-20 x 3/4 Hex Washer Hd. ....	4
6	WS-029-46	Washer .....	4
	00-239084	Filter – Drier .....	1
	00-263294	Clamp – Drier .....	1
	SD-033-33	Self-Tapping Screw 8 x 5/8 Phil. Truss Hd., Type A .....	1
	00-266721-00001	Timer – Defrost .....	1
	00-434440	Harness – Main .....	1
	00-434481	Cover – Top Wiring .....	1



**CONDENSING UNIT REFRIGERATOR/FREEZER  
(PREVIOUS CONSTRUCTION)**

**CONDENSING UNIT REFRIGERATOR/FREEZER  
(PREVIOUS CONSTRUCTION)**

ILLUS.	PART NO.	NAME OF PART	AMT.
PL-55696			
1	00-260200	Tee – 1/4 Tube .....	1
2	00-264678	Extension – Test .....	1
3	00-262773	Condensing Unit (Refrigerator) (R12 Refrigerant) .....	1
4	00-262774	Condensing Unit (Freezer) (R12 Refrigerant) .....	1
5	00-282221-00001	Condensing Unit (Refrigerator) (R134 Refrigerant) .....	1
6	00-282222-00001	Condensing Unit (Freezer) (R134 Refrigerant) .....	1
7	00-239240	Tube – Extension (4 Lg.) .....	1
8	00-239084	Filter – Drier .....	1
9	00-263294	Clamp – Dehydrator .....	1
10	SD-033-33	Self-Tapping Screw 8 x 5/8 Phil. Truss Hd., Type A .....	1
11	00-239247	Tube – Extension (14 Lg.) .....	1
12	00-239000	Cord (15 Amp.) (115 V.) .....	1
	00-264853-00001	QLF1 Condensing Unit Refrigerator Assy. (Incls. Items 1, 2, 3, & 5 thru 9) .....	1
	00-264853-00002	QLF1 Condensing Unit Freezer Assy. (Incls. Items 1, 2, & 4 thru 9) .....	1

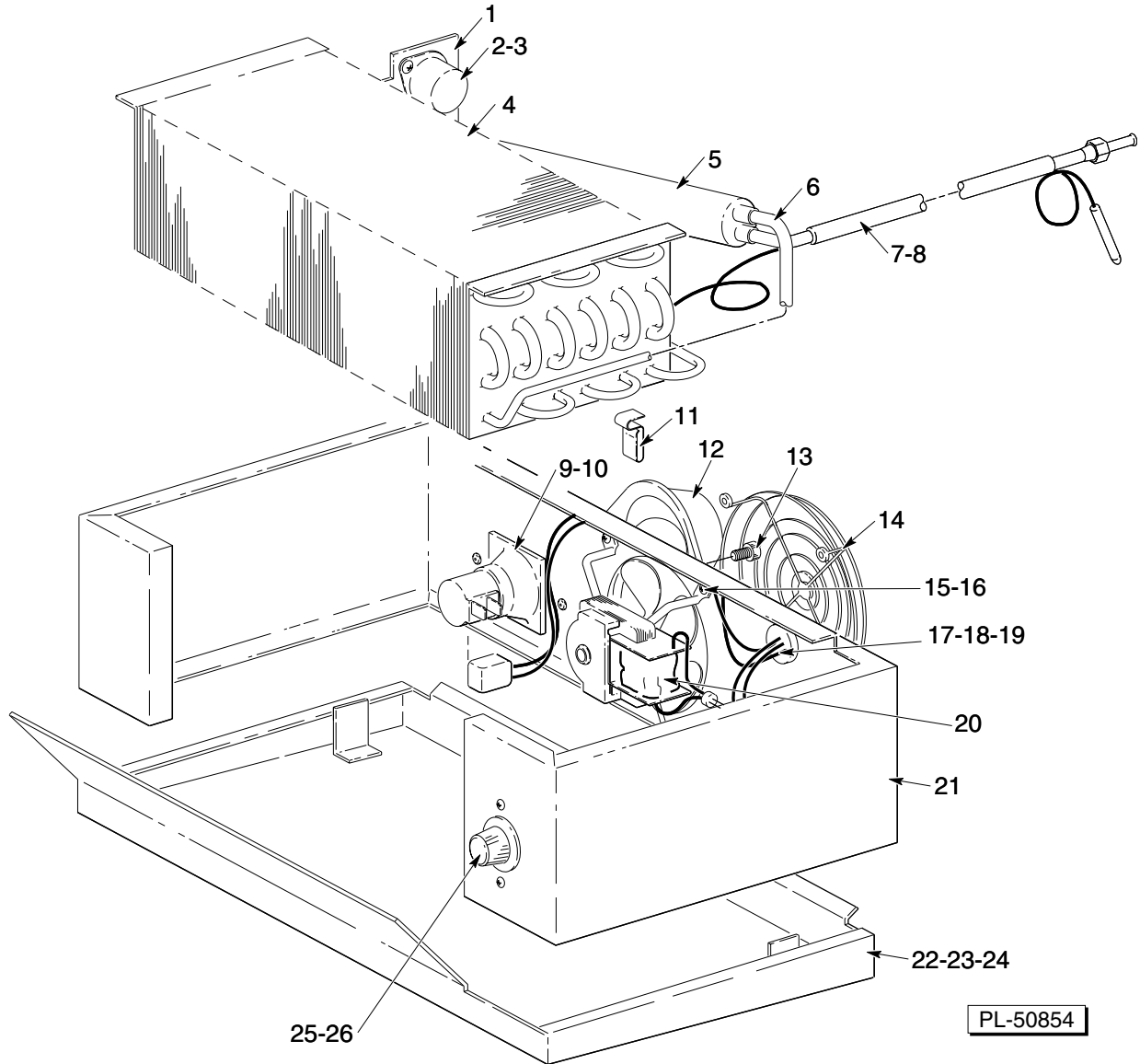


**EVAPORATOR UNIT REFRIGERATOR/FREEZER  
(CURRENT CONSTRUCTION)**



**EVAPORATOR UNIT REFRIGERATOR/FREEZER  
(CURRENT CONSTRUCTION)**

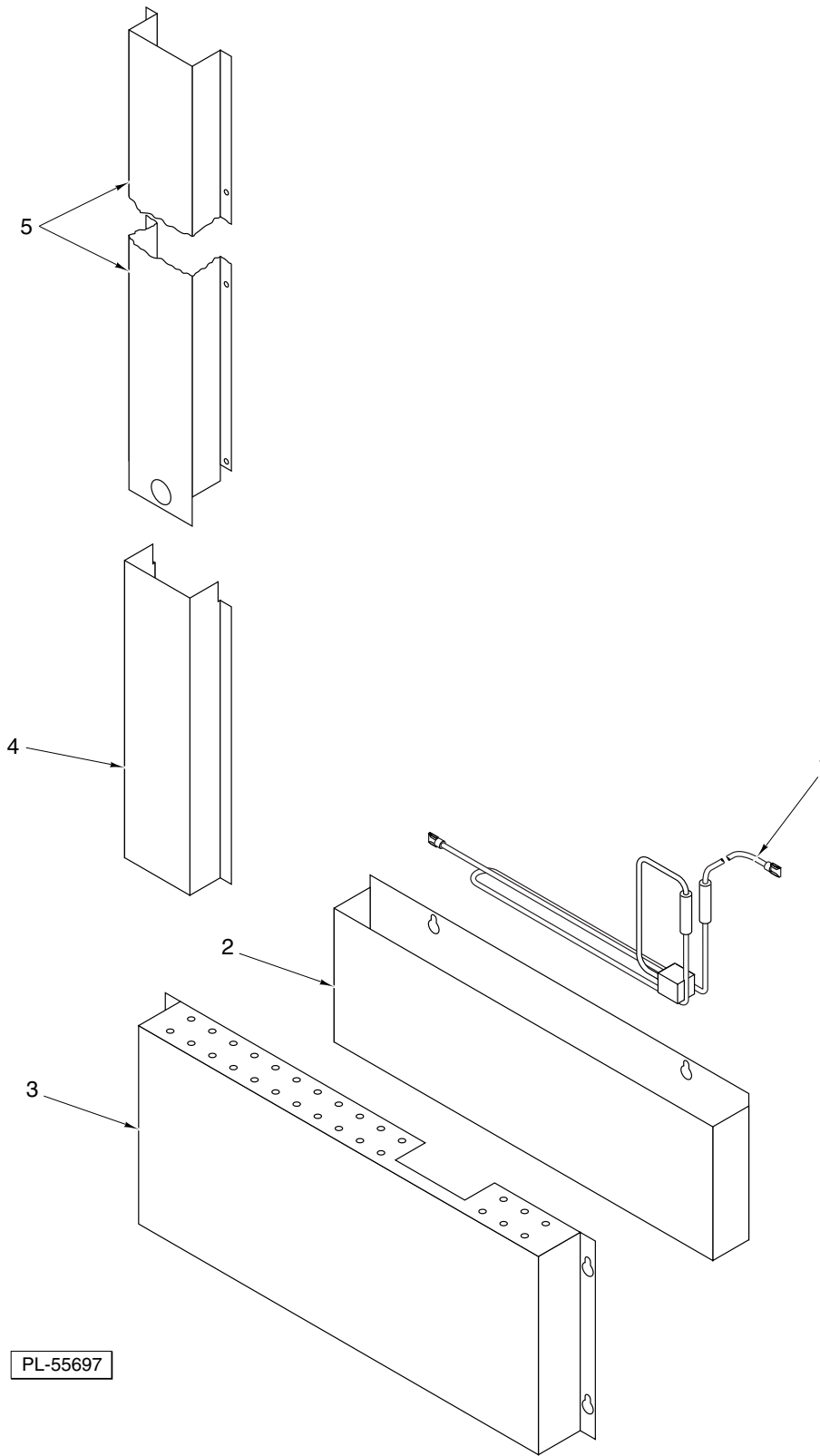
ILLUS.	PART NO.	NAME OF PART	AMT.
	PL-55694		
1	00-434413	Base – Evaporator Housing .....	2
2	SD-029-06	Self-Tapping Screw 10-24 x 1/2 Phil. Flat Hd., Type F (SST) .....	8
3	00-267274	Control – Temperature (Freezer) .....	1
4	00-267275	Control – Temperature (Refrigerator) .....	1
5	00-434429	Shield – Thermostat Drip .....	2
6	00-434362	Coil – Evaporator .....	1
7	00-434365	Heater – Defrost Evaporator (Freezer) .....	1
8	00-249863-00071	Valve – Thermostatic Expansion (Refrigerator) .....	1
9	00-249863-00053	Valve – Thermostatic Expansion (Freezer) .....	1
10	00-547662	Tube – Rubber .....	AR
11	00-434431	Pan – Drain/ORIFICE .....	2
12	00-430056	Guard .....	2
13	SC-117-73	Mach. Screw 10-32 x 5/8 Phil. Truss Hd. (SST) .....	4
14	00-266357-00003	Screw – Knurled .....	4
15	00-430061-00002	Motor – C-Frame (120 V.) .....	1
16	00-434469	Bracket – Fan Motor .....	2
17	00-430060	Blade – Plastic Fan .....	2
18	00-262708	Accumulator (Freezer) .....	1
	00-434148	Harness – Refrigerator Wiring .....	1
	00-434149	Harness – Freezer Wiring .....	1
	00-239872	Bracket – Safety Thermostat .....	1
	00-269122	Thermostat – Safety .....	1
	00-239226	Sleeve – Control Bulb .....	1
	00-434487	Clip – Thermometer Bulb .....	2



**EVAPORATOR UNIT REFRIGERATOR/FREEZER  
(PREVIOUS CONSTRUCTION)**

**EVAPORATOR UNIT REFRIGERATOR/FREEZER  
(PREVIOUS CONSTRUCTION)**

ILLUS.	PART NO.	NAME OF PART	AMT.
PL-50854			
1	00-239872	Bracket – Safety Thermostat (Freezer Unit) .....	1
2	00-269122	Thermostat – Safety (Freezer Unit) .....	1
3	00-263081	Heater Assy. (Freezer Unit) .....	1
4	00-262569	Evaporator Coil .....	1
5	00-262708	Accumulator .....	1
6	00-264554	Tube – Accumulator .....	1
7	00-239856	Heat Exchanger (Freezer Unit) .....	1
8	00-239857	Heat Exchanger (Refrigerator Unit) .....	1
9	00-263035	Holder – Lamp .....	1
10	00-263041	Bulb – Light .....	1
11	00-260341	Clamp Wire .....	1
12	00-239059	Shield – Light .....	1
13	00-266357-00002	Thumb Screw .....	1
14	00-239800	Guard – Fan .....	1
15	SA-021-09	Screw Assy. 10-32 x 1/3 Hex Hd., External Washer .....	1
16	NS-046-15	Mach. Nut 10-32 KEPS .....	1
17	00-267979	Wiring Harness (Refrigerator Unit) .....	1
18	00-267978	Wiring Harness (Freezer Unit) .....	1
19	00-122577-00002	Wire Tie .....	1
20	00-239514	Fan Assy. (115 V.) .....	1
21	00-239849-00001	Evaporator Housing .....	1
22	00-266103-00001	Drain Pan Assy. (Refrigerator Unit) .....	1
23	00-266103-00003	Drain Pan Assy. (Freezer Unit) .....	1
24	00-266082-00001	Heater – Drain Pan (Freezer Unit) .....	1
25	00-267275	Control Assy. (Refrigerator Unit) .....	1
26	00-267274	Control Assy. (Freezer Unit) .....	1
	00-239854	Evaporator Assy. (Freezer Unit) (Incls. Items 1 thru 7) .....	1
	00-239855	Evaporator Assy. (Refrigerator Unit) (Incls. Items 4 thru 6 & 8) .....	1

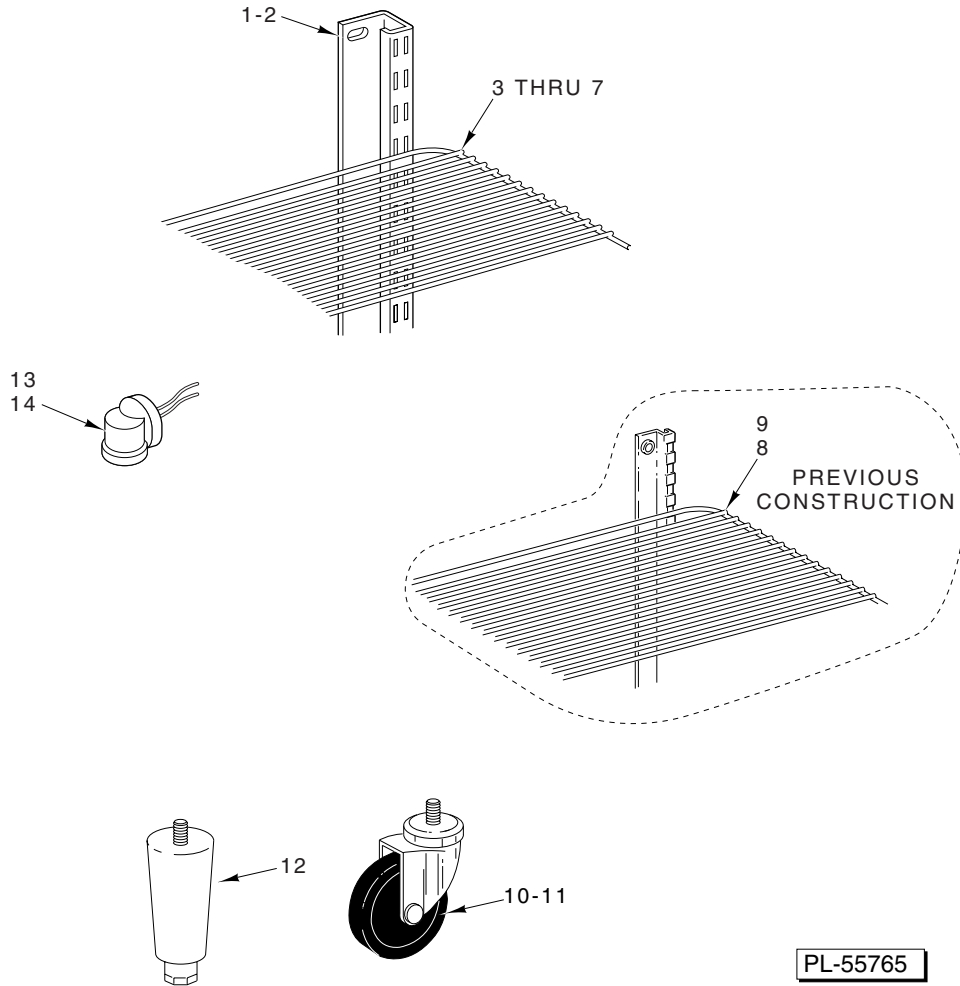


PL-55697

**CONDENSATE PAN**

**CONDENSATE PAN**

<b>ILLUS.</b>	<b>PART NO.</b>	<b>NAME OF PART</b>	<b>AMT.</b>
PL-55697			
1	00-434514	Heater – Condensate Pan .....	1
2	00-430052	Pan – Condensate .....	1
3	00-434484	Cover – Condensate Pan .....	1
4	00-434480	Cover – Lower Rear Wiring .....	1
5	00-434482	Cover – Upper Rear Wiring .....	1



MISCELLANEOUS

MISCELLANEOUS

ILLUS.	PART NO.	NAME OF PART	AMT.
PL-55765			
1	00-281530	Pilaster – Adjustable (Alum.) .....	8
2	00-266357-00003	Screw – Knurled (SST) .....	1
3	00-239041	Shelf (Standard) .....	1
4	00-239045	Shelf (SST) .....	1
5	00-239046	Shelf (Heavy Duty) .....	1
6	00-279686	Clip – Shelf (Use W/Items 3 & 4) .....	AR
7	00-239740	Clip – Shelf (Use W/Item 5) .....	AR
8	00-239861	Pilaster .....	8
9	00-239862	Pilaster – Adjustable .....	8
10	00-281522-00001	Caster 5" (W/O Brake) .....	2
11	00-266718-00001	Caster 5" (W/Brake) .....	2
12	00-266718-00001	Leg Assy. ....	4
13	00-434433	Holder – Lamp .....	2
14	BL-008-19	Bulb (120 V.) (40 W.) .....	2

**ML'S USED TO MAKE THIS CATALOG**

**R12 REFRIGERANT**

ML-41603  
ML-41604  
ML-41605  
ML-41610  
ML-41611  
ML-41612

**R134A REFRIGERANT (PREVIOUS)**

ML-111382  
ML-111383  
ML-111384  
ML-111386  
ML-111387  
ML-111388

**R134A REFRIGERANT (CURRENT)**

ML-111570  
ML-111571  
ML-111572  
ML-111573