

TRUE®

T-Series

**T-23 & T-23G
115V
Parts Manual**



T-23



T-23G

TO PLACE AN ORDER OR OBTAIN INFORMATION:

WEBSITE:

www.truemfg.com (Visit our Parts eStore at: <http://estore.truemfg.com>)
Parts Department e-mail address: parts@truemfg.com

SEND INQUIRIES TO:

TRUE MANUFACTURING COMPANY, INC. ATTN: PARTS DEPARTMENT
St. Charles Industrial Center • P.O. Box 970 • O'Fallon, Missouri 63366 • U.S.A

CALL TOLL-FREE:

800-424-TRUE (Direct to Parts Department)
or 800-325-6152 (U.S.A & Canada only)
OR CALL: 636-240-2400

FAX: 636-272-9471

Accessories

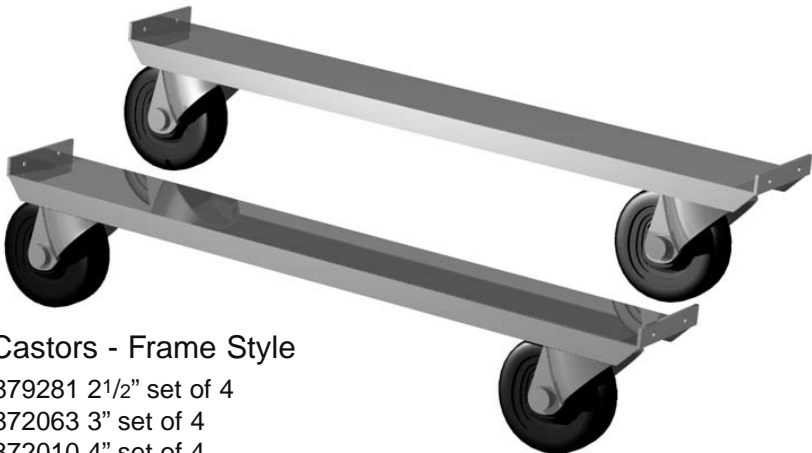


Cap Kit
Cabinet End
(For Refurbishing)

- 923245 Left Cap Kit, Silver
- 923246 Right Cap Kit, Silver
- 872938 Full Cap Kit, Aluminum

A.

Castors & Legs



Castors - Frame Style

- 879281 2 1/2" set of 4
- 872063 3" set of 4
- 872010 4" set of 4



Castors - Stem Style

- 830280 2 1/2" set of 4
- 830277 4" set of 4
- 830282 5" set of 4



Legs - Frame Style

- 872001 6" set of 4



Legs - Stem Style

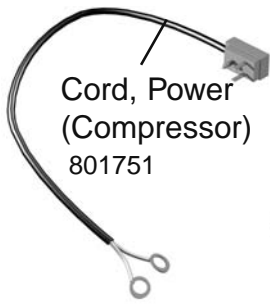
- 872025 6" set of 4



Legs, Seismic - Stem Style

- 880348 6" set of 4

Compressors



Cord, Power
(Compressor)
801751



Condensing Unit
881270 After 1/15/04
874533 Before 1/15/04

Motor, Condenser Fan
800402



Bracket,
Fan Motor
865417

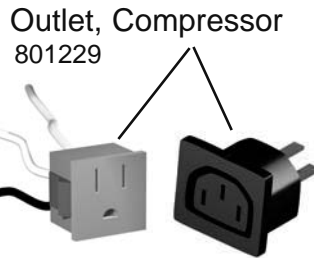
Blade, Fan
Motor
Condenser
801005



Accumulator
866743



Cord,
Power
801701

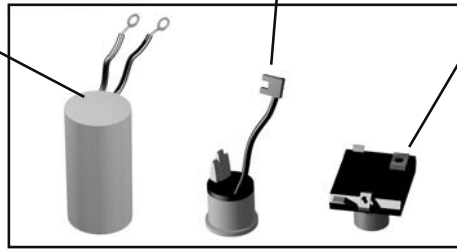


Outlet, Compressor
801229

Overload
802117 Before 1/15/04
802289 After 1/15/04

Relay
802116 Before 1/15/04
802288 After 1/15/04

Capacitor, start
802118 Before 1/15/04
802115 After 1/15/04

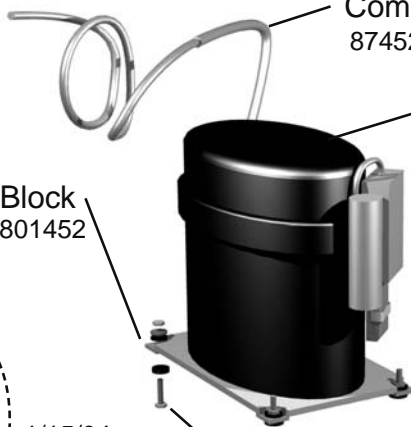


Accumulator, Capillary &
Suction Line
874441 Before 1/15/04
883691 After 1/15/04



Shroud,
Condenser
Coil
801502

Compressor Pull Out
874521



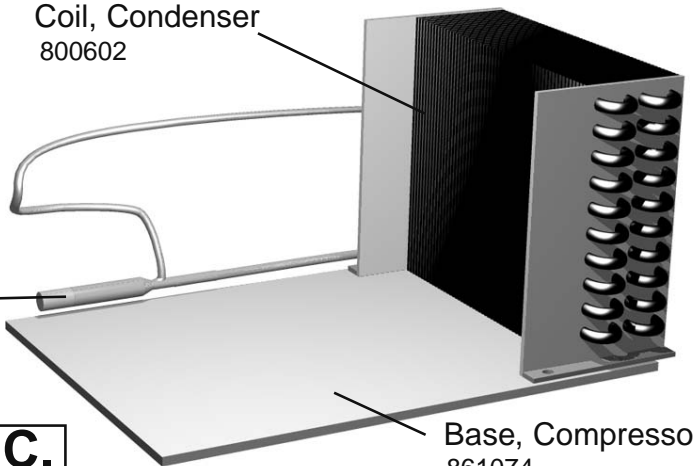
Compressor
842050 Before 1/15/04
842159 After 1/15/04

Block
801452

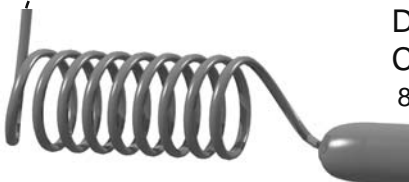
Capillary
Tube
851142 After 1/15/04
851133 Before 1/15/04

Bolt, Compressor
831503

Coil, Condenser
800602



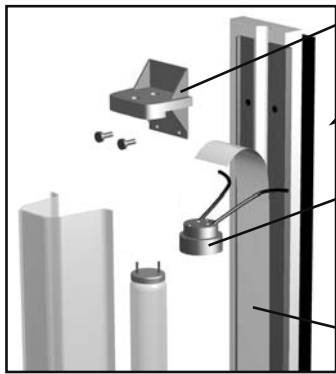
Drier,
Compressor
800801



Base, Compressor
861074

C.

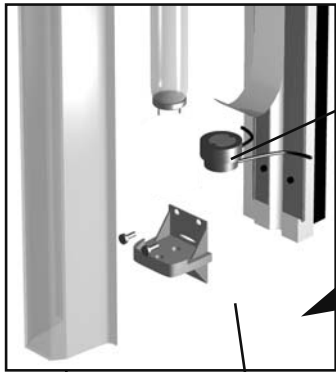
Door Parts



Base, Lampholder
841477

Lampholder Top
#542 with 52 3/4" lead
801230

Tape, Light Filler
Channel, Aluminum
820204



Lampholder Bottom
#542 with 4 1/2" lead
801254



Door

Door

- 917755 - Right Hinged, Silver Framed, IDL-Silver, WDG, after 3/29/07
- 885263 - Right Hinged, Silver Framed, IDL-Silver - before 3/30/07
- 876175 - Right Hinged, Silver Framed, IDL-Black
- 917754 - Left Hinged, Silver Framed, IDL-Silver, WDG, after 3/29/07
- 885260 - Left Hinged, Silver Framed, IDL-Silver - before 3/30/07
- 875176 - Left Hinged, Silver Framed, IDL-Black

Base, Lampholder
841477

Lamp Shield
810873

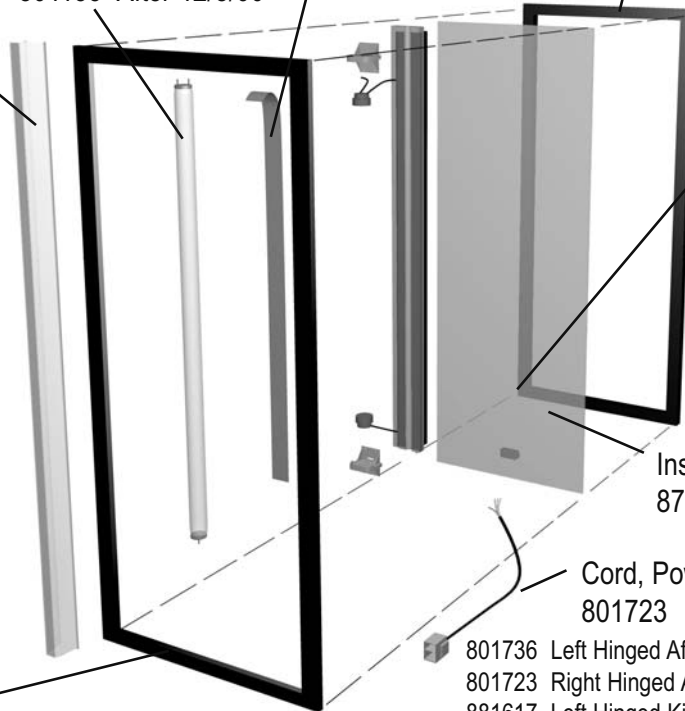
Lamp
801125 Before 12/8/00
801155 After 12/8/00

Tape, Light Filler
Channel, Aluminum
820204

Gasket
810862
811125 WDG
After 3/29/07



Receptacle
878037



Bushing, Strain Relief
832189 Before 10/9/02
832189 After 10/9/02

Insert, Glass
875101

Cord, Power
801723

Back Plate Door
Gasket kit
873008

801736 Left Hinged After 10/9/02
801723 Right Hinged After 10/9/02
881617 Left Hinged Kit Before 10/9/02
881618 Right Hinged Kit Before 10/9/02

D.

Door Parts

Gasket
810862
811125 After 3/29/07 WDG

Back Plate, Door
Gasket
873008

Insert, Glass
871103

Frame, Door
880206 Left Hinged, Silver Non-IDL
870265 Right Hinged, Silver Non-IDL

Handle
851217
Silver

Door

876570 Left Hinged, Silver Framed Non-IDL
870706 Right Hinged, Silver Framed Non-IDL

Door Locks

Keys Only
831306

Solid Door Lock
831305

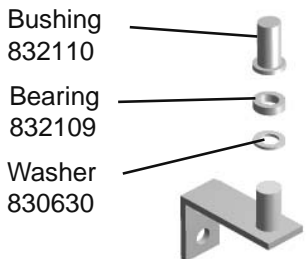
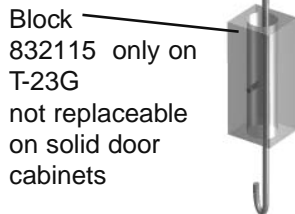
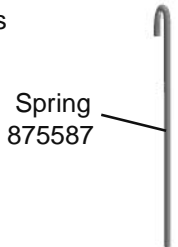
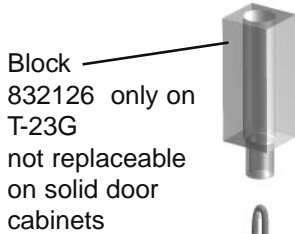
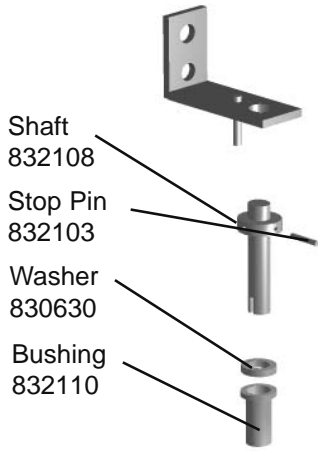
Glass Door Lock
872837

Locks (for T Models)
Cooler & Freezer

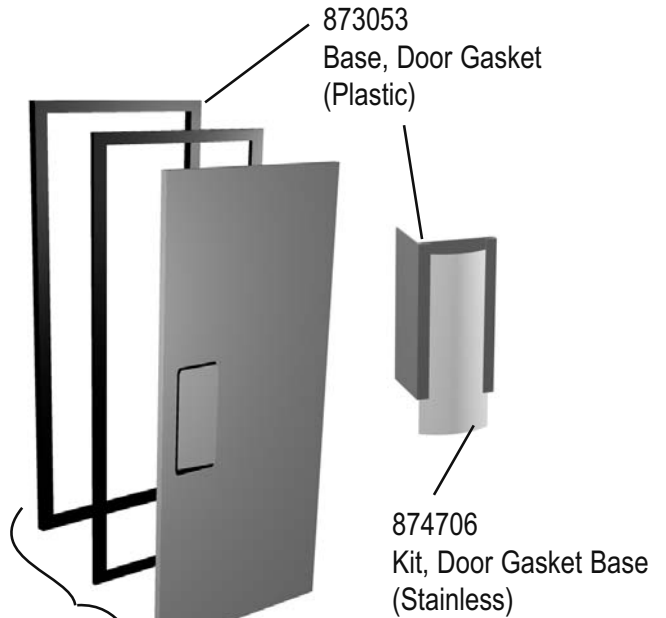
E.

Door Parts

T-Series Full Door Kit, Door Hinge Top 870865



Kit, Door Hinge Bottom 870866



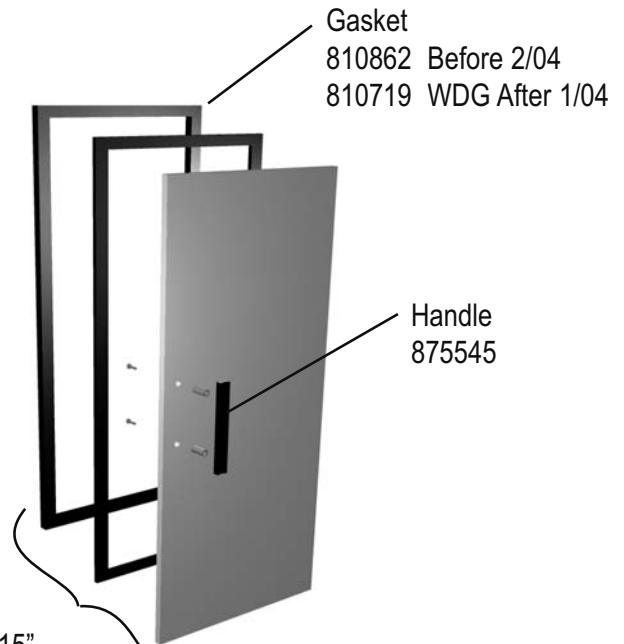
Door with Recessed
Handle

874344 - Right Hinged Door, before 2/04

884836 - Right Hinged Door, Wide Gasket, after 1/04

876624 - Left Hinged Door, before 2/04

884835 - Left Hinged Door, Wide Gasket, after 1/04

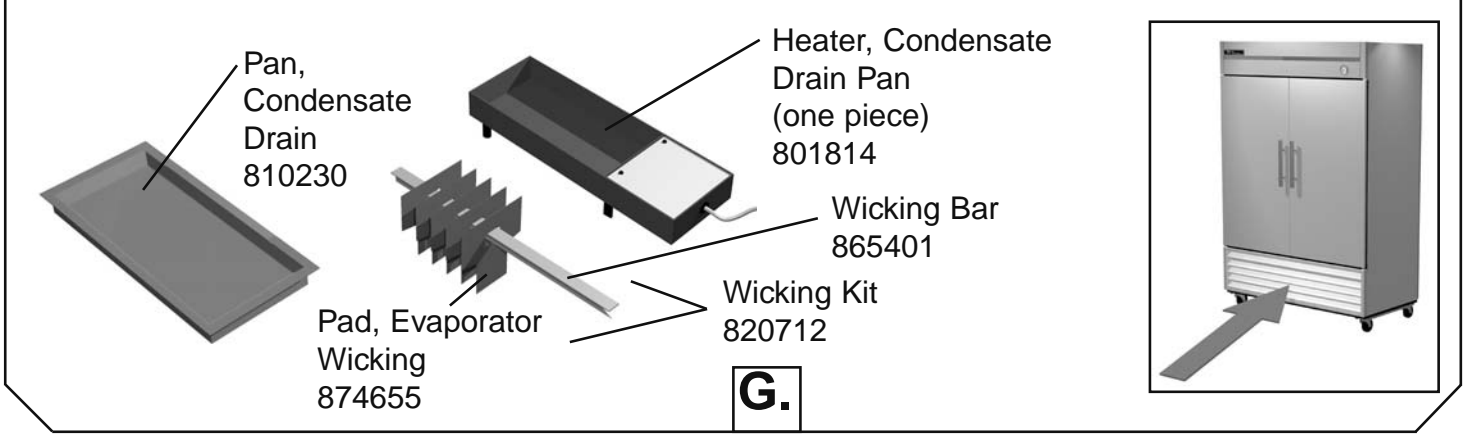
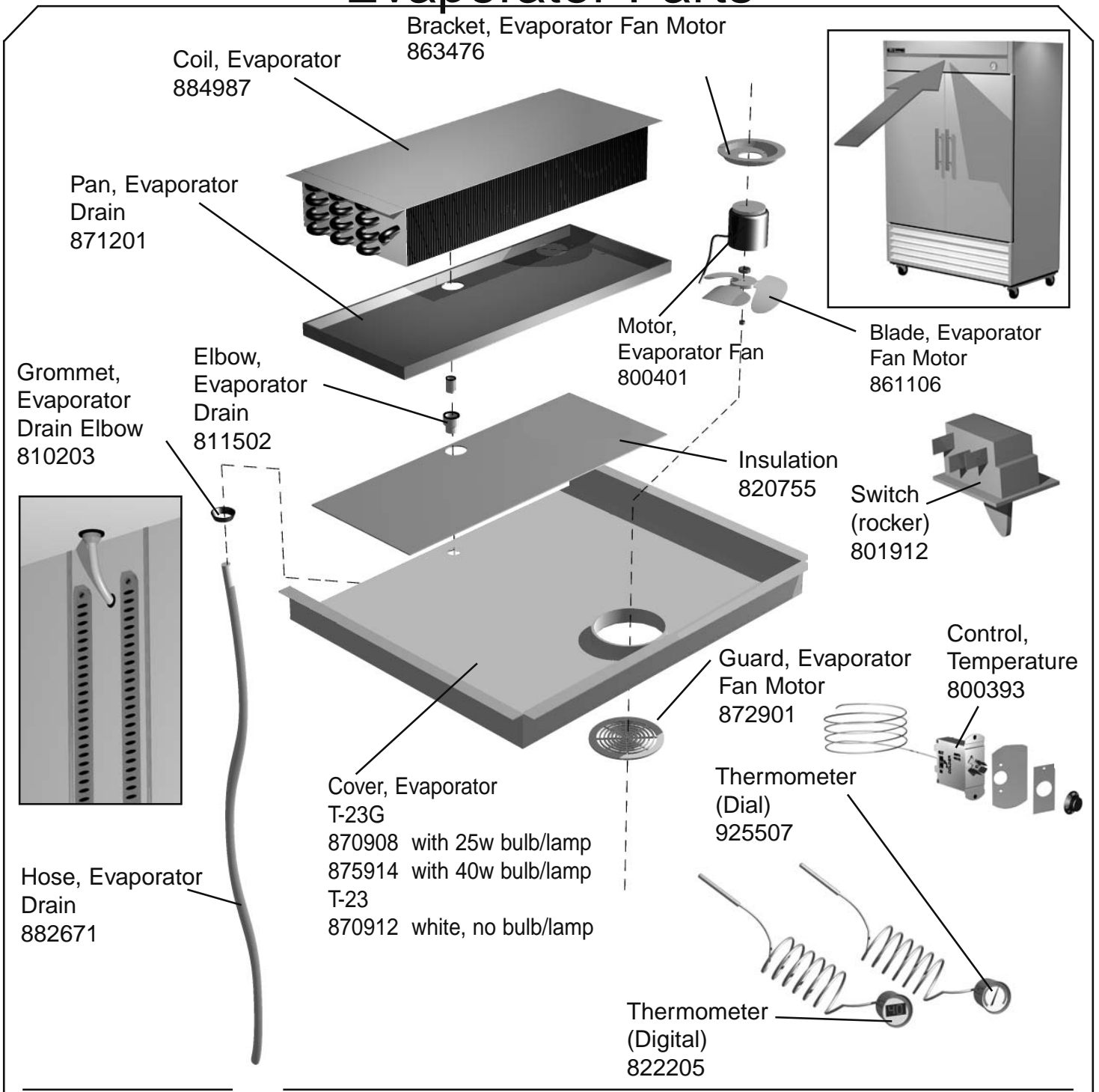


Door with 15"
Standard Handle

876623 - Left Hinged 15" Handle

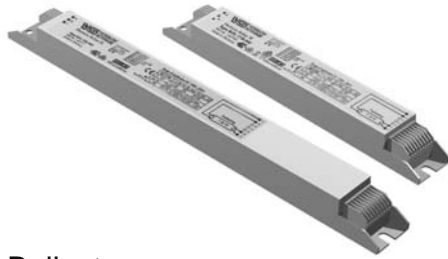
870704 - Right Hinged 15" Handle

Evaporator Parts

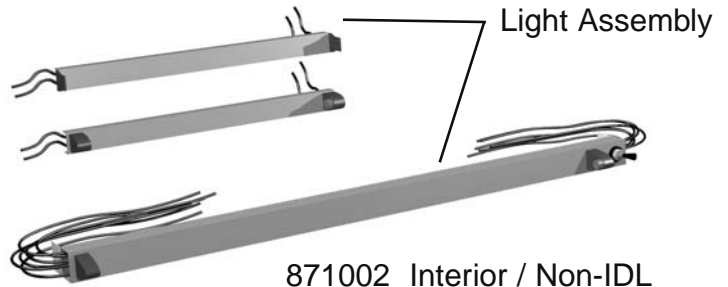


G.

Lighting Parts



Ballast
 800254 - Door IDL Before 12/13/00
 800506 - Ballast, Light, Non-IDL
 914240 - IDL After 11/20/06



Light Assembly
 871002 Interior / Non-IDL
 871035 Right Hinged, IDL, Black
 920406 Right Hinged, IDL, Silver
 871047 Left Hinged, IDL, Black

115V, 208V, 220V



801266 After 9/02

Non-IDL
 115V, 208V



Springloaded
 13570
 801223



Stationary
 13571
 801224

IDL
 115V, 208V, 220V & CE



842111
 From 12/99 to
 11/28/00

IDL
 115V, 208V, 24K Lamps

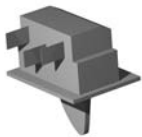


For 24K Lamps
 Top of IDL Door
 #542 (52 3/4" Lead)
 801254



Bottom of IDL Door
 #542 (4 1/2" Lead)
 801230

Switch, Rocker



T-23 3 Prong
 801912

Lamps

T-23G
 801125 IDL, T-8, Before 12/8/00
 801155 IDL, T-8, 24K, After 12/8/00
 801101 Non-IDL, T-12

T-23
 801112 115V 25T 10

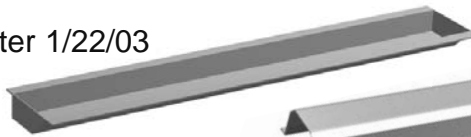


Switch, Rocker



T-23G
 842250

Lampshield
 810359 - After 1/22/03



Lampshield
 801206 T-12, Non-IDL



Lampshield
 End Cap



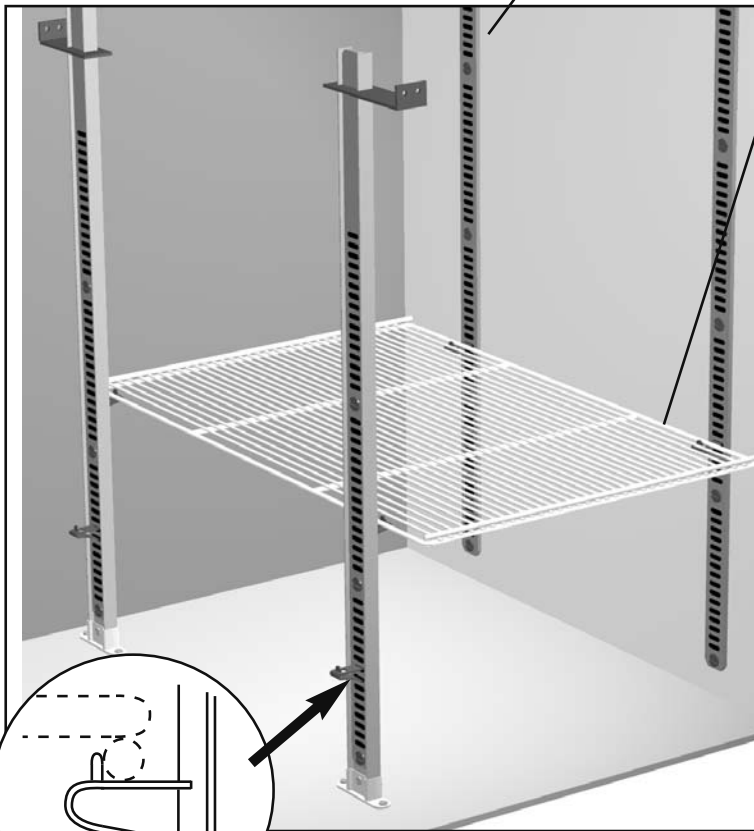
Lampshield
 T-23G
 810873 - IDL

T-12 Non-IDL
 801253

H.

Shelf Parts

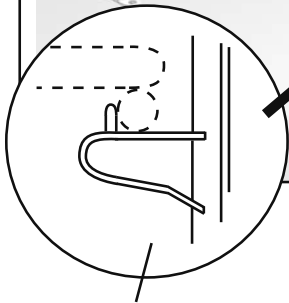
874750 Shelf Standard 48" white



Shelf

871780 T-23 & T-23G IDL

871790 T-23 & T-23G Non-IDL



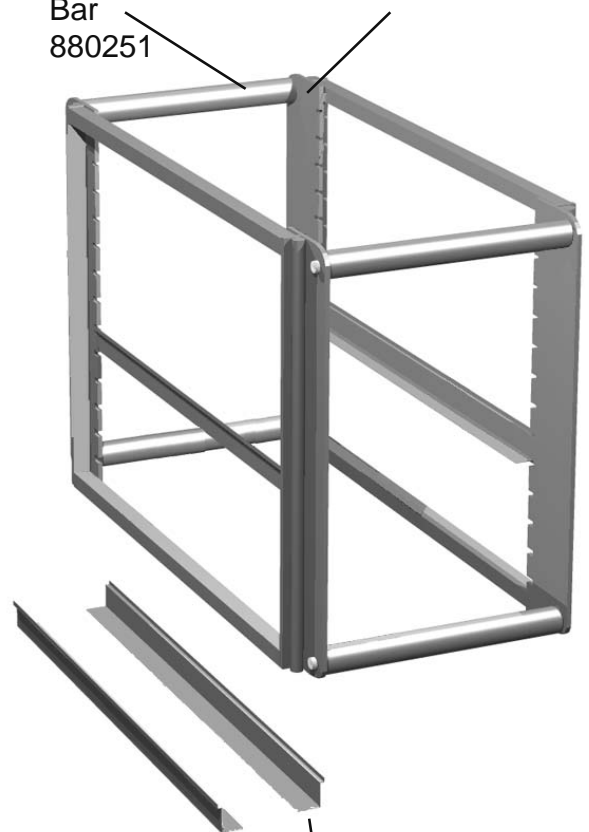
Clip, Shelf
831600

Bun Tray Rack

871729 - Full Door

871728 - Half Door

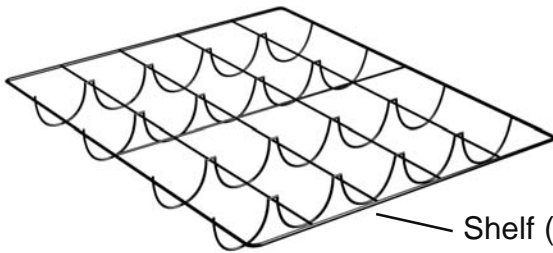
Bar
880251



Slide, Bun Tray

871754 - Standard

871755 - Universal



Shelf (Wine Rack Style)

871713

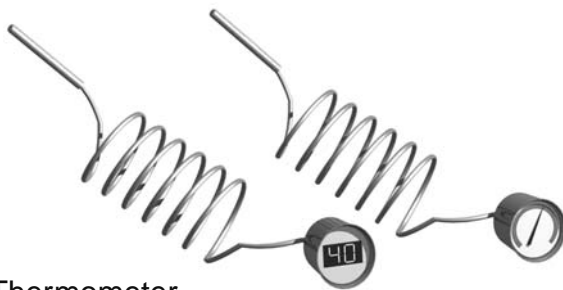
Rainshield



Rainshield
871501 Right Hinged Door
871577 Left Hinged Door



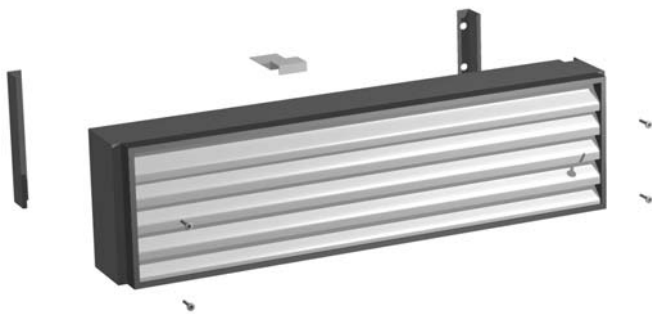
Nameplate
820344



Thermometer
(Digital)
822205

Thermometer
(Dial)
831914

Grill Parts



Grill
874278 Stainless, Left Hinged, IDL
878868 Stainless, Left Hinged, Non-IDL & T-23
874279 Stainless, Right Hinged, IDL
871657 Stainless, Right Hinged, Non-IDL & T-23

Grill Mounting
Kit

