



Quality Refrigeration

# CATALOG OF REPLACEMENT PARTS



## G SERIES REFRIGERATOR/FREEZER

### REFRIGERATORS

G100XX  
G110XX  
G200XX  
G210XX  
G300XX  
G320XX

### FREEZERS

G120XX  
G220XX  
G310XX  
G313XX

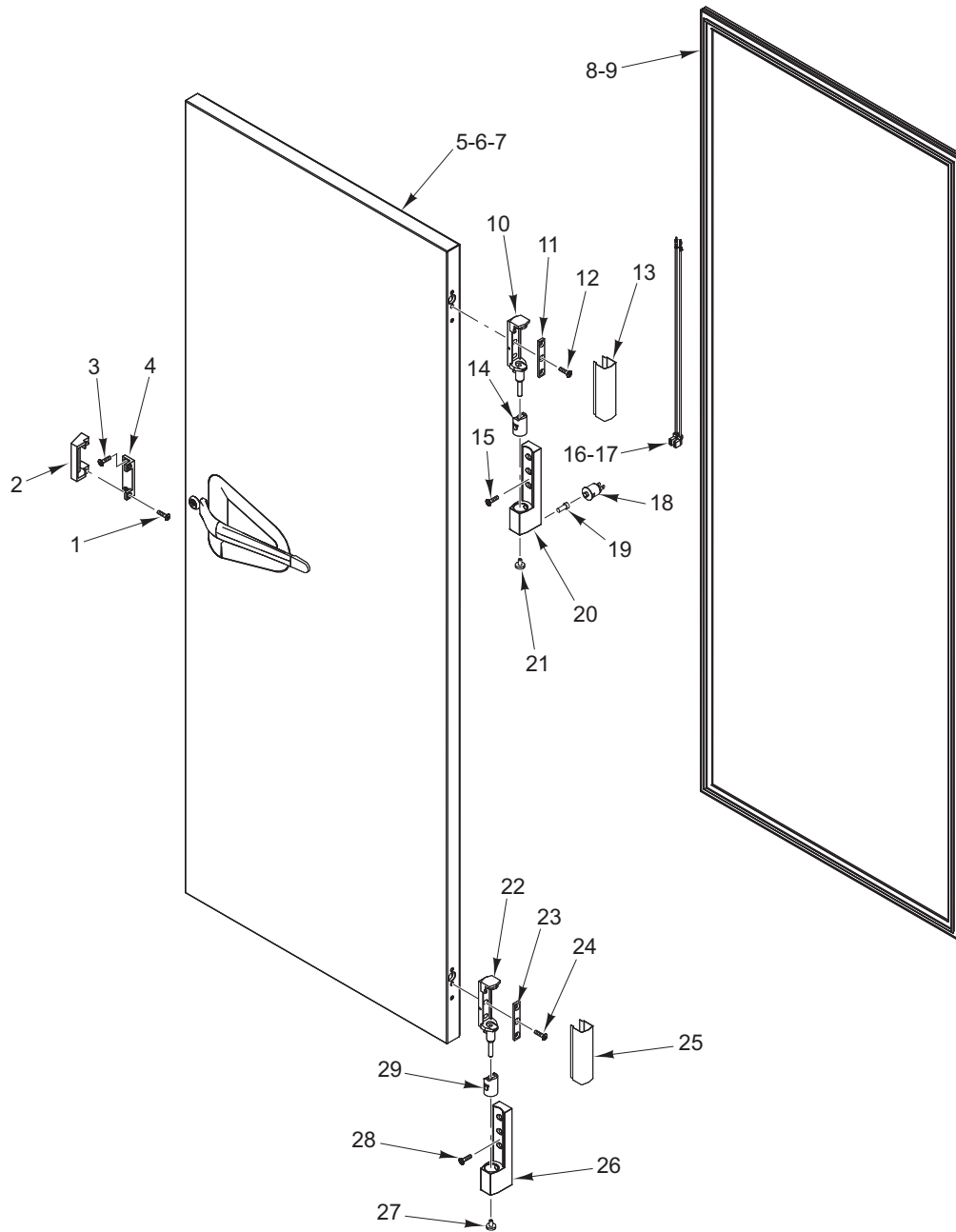
Note: The last two digits of the model number denote half height or full height doors and their hinging options.

4401 BLUE MOUND RD. • FT. WORTH, TX 76106 • 1-800-825-8220



**TABLE OF CONTENTS**

5	DOOR
7	PANELS AND RACKS
9	CONDENSER, COMPRESSOR, AND EVAPORATOR (G10010, G11000, G12000, AND G20010)
11	CONDENSER, COMPRESSOR, AND EVAPORATOR (G21000, G22000, AND G30010)
13	CONDENSER, COMPRESSOR, AND EVAPORATOR (G31000)
15	CONDENSER, COMPRESSOR, AND EVAPORATOR (G31300)
17	CONDENSER, COMPRESSOR, AND EVAPORATOR (G32000)
19	EVAPORATOR FAN ASSEMBLY

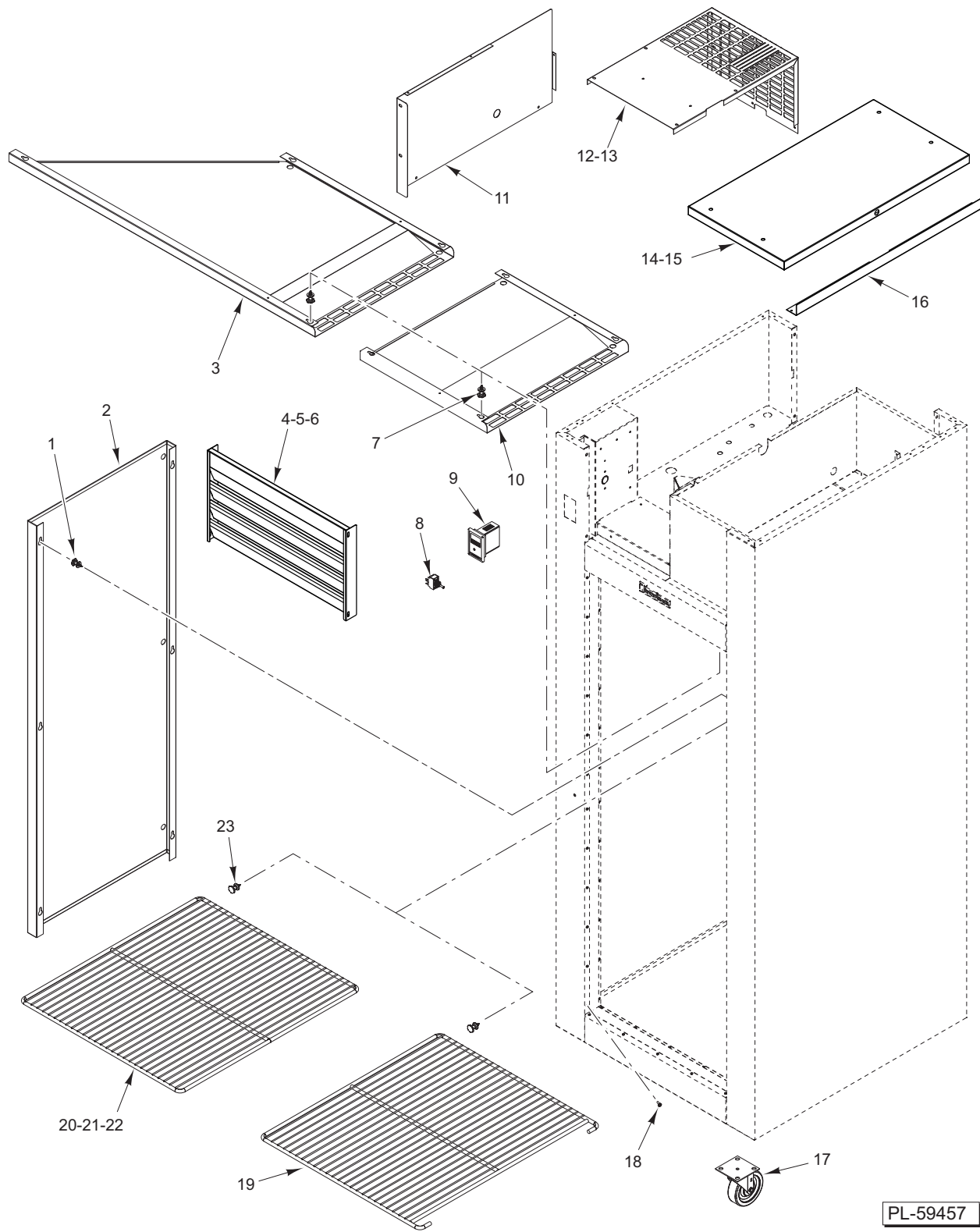


PL-59456

DOOR

DOOR

ILLUS.	PART NO.	NAME OF PART	AMT.
PL-59456			
1	351-60002-01	Mach. Screw 10-32 x 1/2 Phil. Flat Hd. (SST).....	2
2	346-60017-00	Lock Keeper.....	1
3	351-60001-07	Mach. Screw 10-32 x 1/2 Phil. Flat Hd. (SST).....	2
4	346-60019-00	Bracket.....	1
5	SK-200-60142-00	Assy – Door (Incls. Item 8) .....	1
6	SK-200-60140-00	Assy – Half Door (RH Top, LH Bottom) (Incls. Item 9).....	1
7	SK-60140-01	Assy – Half Door (LH Top, RH Bottom) (Incls. Item 9).....	1
8	SVC-60059-00	Gasket – Door.....	1
9	SVC-60060-00	Gasket – Half Door .....	2
10	344-28487-00	Hinge – Door.....	1
11	344-28485-00	Plate.....	1
12	351-60002-07	Mach. Screw 10-32 x 3/4.....	3
13	344-28486-00	Cover – Hinge.....	1
14	344-28488-00	Cam .....	1
15	351-60002-07	Mach. Screw 10-32 x 3/4 Phil. Flat Hd. ....	3
16	333-60408-02	Harness – Light Switch (Full Height Door).....	1
17	333-60409-02	Harness – Light Switch (Half Height Door).....	1
18	337-28235-00	Switch – Door .....	1
19	344-28484-00	Adapter – Switch.....	1
20	344-28482-00	Hinge – Upper.....	1
21	344-28483-00	Screw – Safety.....	1
22	344-28487-00	Hinge – Door.....	1
23	344-28485-00	Plate.....	1
24	351-60002-07	Mach. Screw 10-32 x 3/4 Phil. Flat Hd. ....	3
25	344-28486-00	Cover – Hinge.....	1
26	344-28487-00	Hinge – Lower.....	1
27	344-28483-00	Screw – Safety.....	1
28	351-60002-07	Mach. Screw 10-32 x 3/4 Phil. Flat Hd. ....	3
29	344-28488-00	Cam .....	1
	SER-28583-00	Hinge Assy. (Incls. Items 10, 11, 13, 14, 19, 20, & 21) .....	1

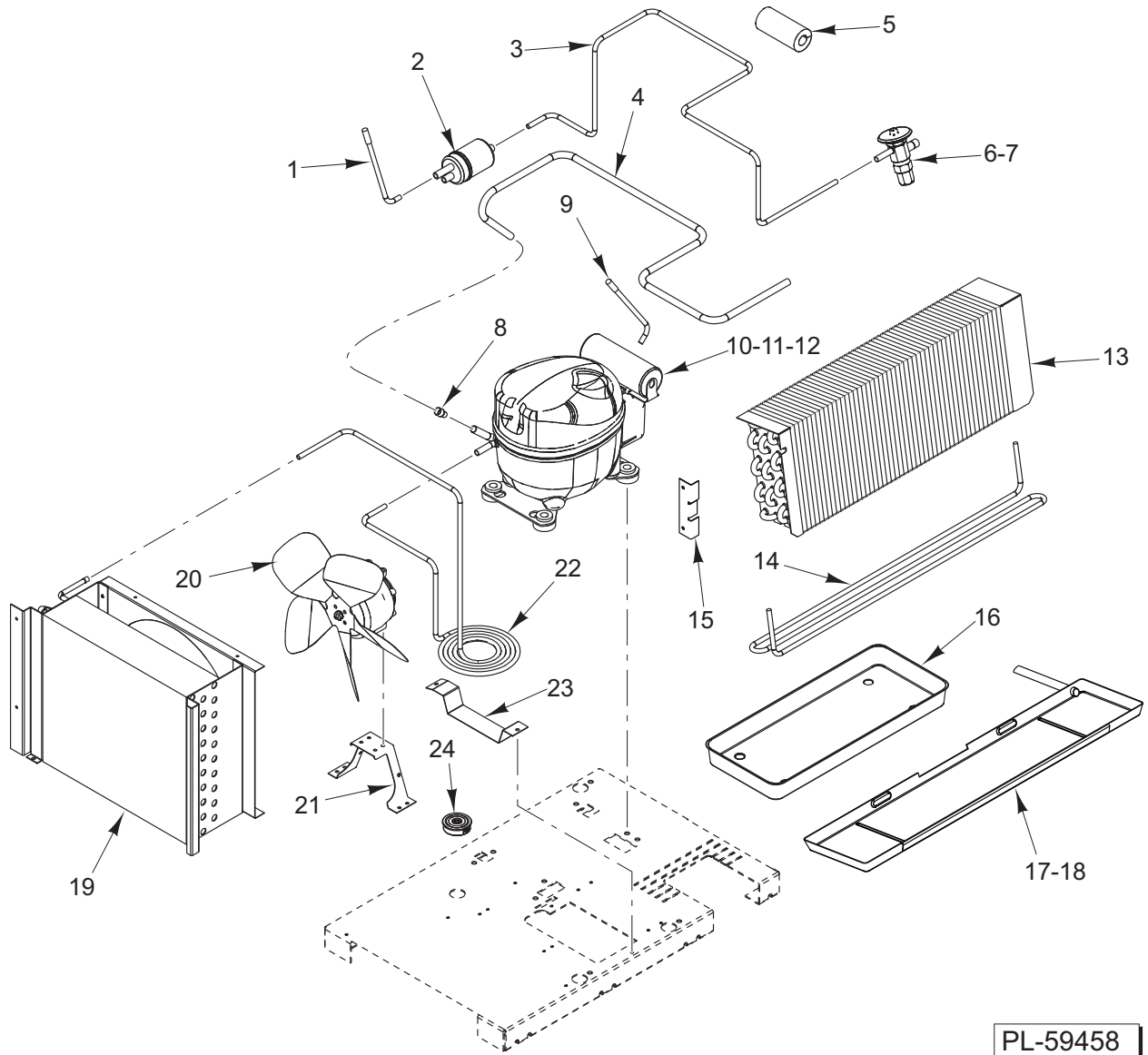


PL-59457

**PANELS AND RACKS**

**PANELS AND RACKS**

ILLUS. PL-59457	PART NO.	NAME OF PART	AMT.
1	351-60045-00	Mach. Screw 10-32 x 1/2 Sq. Cone Washer .....	6
2	614-60141-00	Panel – Duct Down .....	1
3	600-60835-01	Duct – Air Top (Includes Support Baffle) (G2 Series).....	1
4	500-70002-00	Assembly – Louver (G1 Series).....	1
5	500-70008-00	Assembly – Louver (G2 Series).....	1
6	500-70011-00	Assembly – Louver (G3 Series).....	1
7	351-60045-00	Mach. Screw 10-32 x 1/2 Sq. Cone Washer .....	4
8	337-60346-00	Switch – Toggle 20 Amp. 1 1/2 Hp. (SPST) .....	1
9	337-60319-00	Control – Head MIT 2 (G Series) .....	1
10	600-60835-00	Duct – Air Top (Includes Support Baffle) (G1 Series) .....	1
11	701-61354-00	Side – Cover Cond. Unit (G2 Series).....	1
12	701-60972-90	Cover – Condensing Unit (G1 & G2 Series).....	1
13	701-60975-90	Cover – Condensing Unit (G3 Series) .....	1
14	500-70004-00	Assy – Hump Cover (G1 Series) .....	1
15	500-70006-00	Assy – Hump Cover (G2 & G3 Series) .....	1
16	506-70001-00	Support – Angle Exterior Air Chamber.....	1
17	CK1	Caster (Set of 4) .....	1
18	351-29384-00	Self-Tapping Screw #4 x 7/16 Phil. Oval Hd.....	AR
19	340-60179-02	Rack.....	AR
20	340-60074-02	Rack.....	AR
21	340-26000-02	Rack.....	AR
22	340-60070-02	Rack.....	AR
23	344-24759-02	Screw – Mounting .....	4



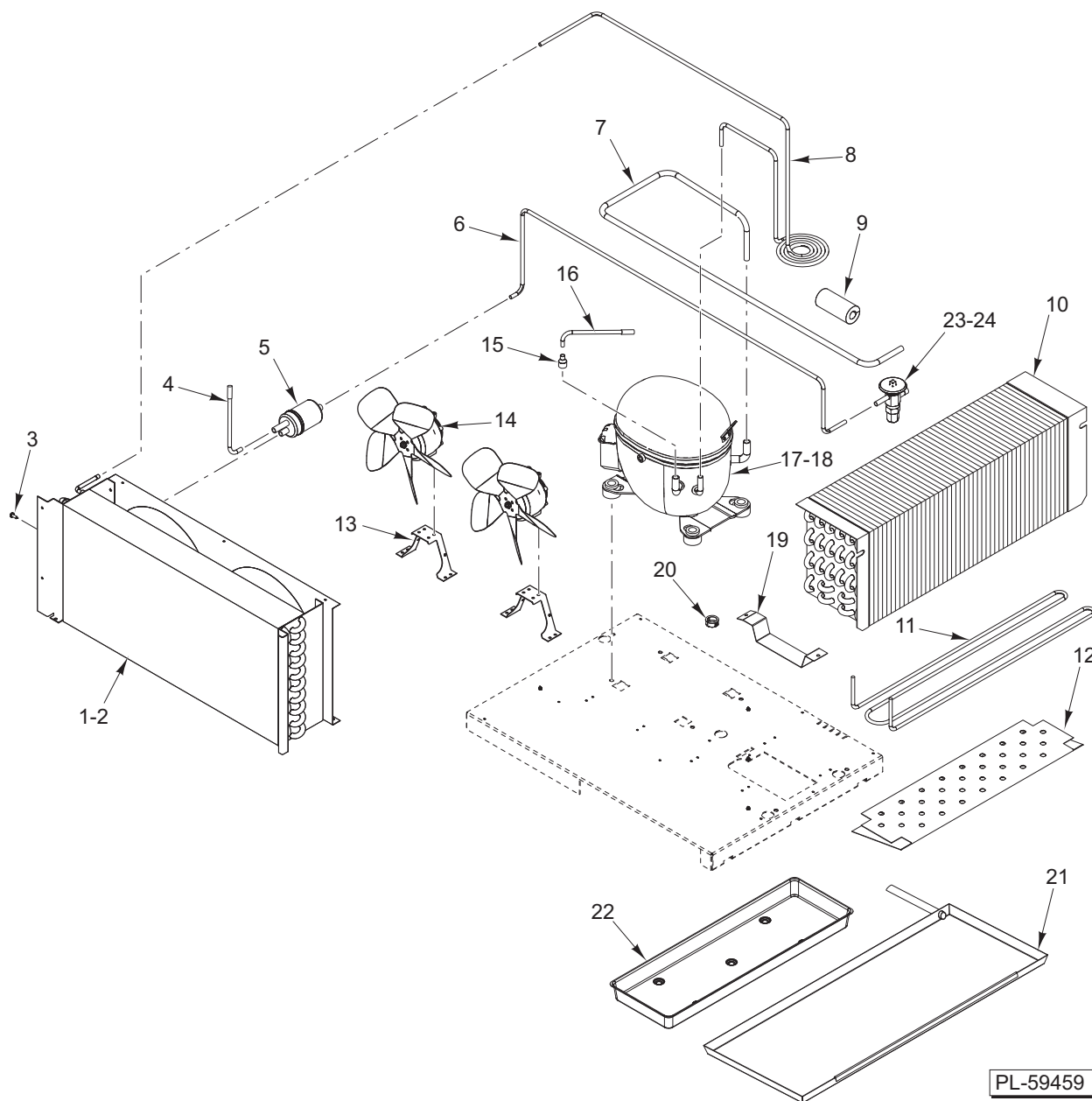
PL-59458

**CONDENSER, COMPRESSOR, AND EVAPORATOR  
(G10010, G11000, G12000, AND G20010)**



**CONDENSER, COMPRESSOR, AND EVAPORATOR  
(G10010, G11000, G12000, AND G20010)**

ILLUS.	PART NO.	NAME OF PART	AMT.
PL-59458			
1	326-60270-00	Tubing – Process (6 In. Lg.) (1/4 In. O.D.) .....	1
2	325-60103-00	Drier 032S (1/4 In. x 1/4 In. O.D.) .....	1
3	326-60305-01	Tubing – Liquid Line.....	1
4	326-60306-00	Tubing – Suction.....	1
5	327-60003-01	Wrap – Insulation.....	1
6	325-60080-37	TXV – Valve (AA 1/8 MW35) .....	1
7	325-60080-25	TXV – Valve (AA 1/8 SW30) (G12000).....	1
8	326-60420-00	Reducer – Copper 3/8 In. x 1/4 In.....	1
9	326-60270-00	Tubing – Process (6 In. Lg.) (1/4 In. O.D.) .....	1
10	321-60203-10	Compressor (G10010, & G20010).....	1
11	321-60204-00	Compressor (G12000).....	1
12	321-60205-10	Compressor (G11000) .....	1
13	322-60003-00	Coil – Evaporator .....	1
14	329-60022-00	Heater Defrost (500 W. 115 V.).....	1
15	610-70003-00	Bracket – Coil .....	2
16	SK-701-13694-00	Pan – Condenser.....	1
17	SER-28015-00	Pan – Drip (G10010, G11000, & G12000).....	1
18	SER-28012-00	Pan – Drip (G20010).....	1
19	325-60128-00	Coil – Condenser .....	1
20	SK-325-60124-00	Fan Assy. (Incls. Item 21).....	1
21	510-10461-00	Bracket – Fan Mount .....	1
22	326-60307-00	Loop – Hot Gas.....	1
23	510-10317-90	Bracket – Condensate Pan.....	1
24	334-12213-07	Bushing 7/8 In. (Heyco).....	1

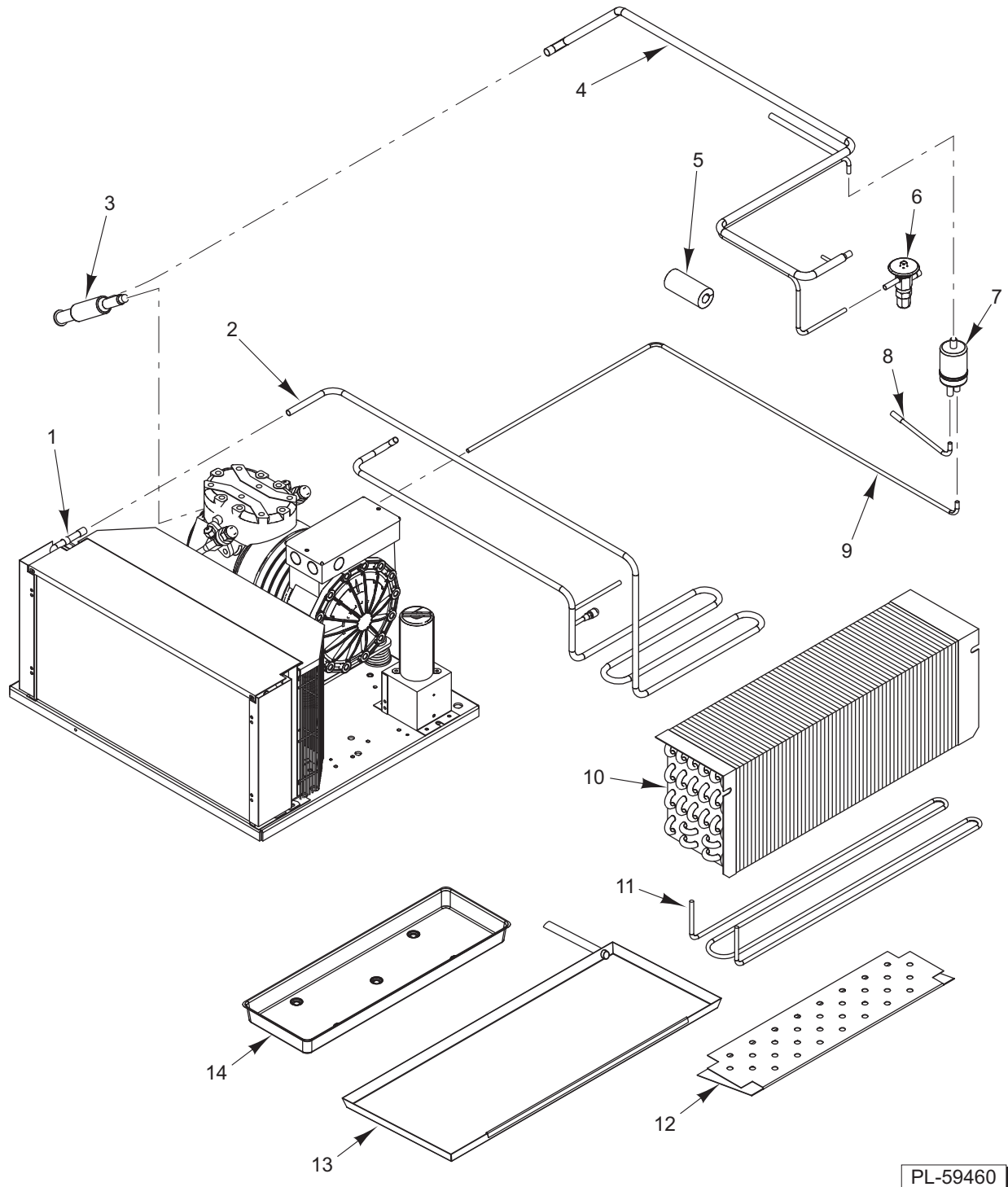


PL-59459

**CONDENSER, COMPRESSOR, AND EVAPORATOR  
(G21000, G22000, AND G30010)**

**CONDENSER, COMPRESSOR, AND EVAPORATOR  
(G21000, G22000, AND G30010)**

ILLUS.	PART NO.	NAME OF PART	AMT.
	PL-59459		
1	325-60122-00	Coil – Condenser (G21000, G22000, & G30010).....	1
2	701-60964-90	Shroud – Condenser Fan (2 Section).....	1
3	351-60003-02	Self-Tapping Screw 8-18 x 1/2 Phil. Pan Hd.....	1
4	326-60270-00	Tubing – Process (6 In. Lg.) (1/4 In. O.D.).....	1
5	325-60103-00	Drier 1/4 In. x 1/4 In. O.D. (032S).....	1
6	326-60308-01	Tubing – Liquid Line.....	1
7	326-60309-00	Tubing – Suction.....	1
8	326-60310-00	Loop – Hot Gas.....	1
9	327-60003-01	Wrap – Insulation.....	1
10	322-60047-00	Coil – Evaporator.....	1
11	329-60021-00	Heater Defrost (500 W., 115 V.).....	1
12	701-60450-00	Baffle Defrost Heater Heatsink 18 In. ....	1
13	510-10461-00	Bracket – Fan Mount.....	2
14	SK-325-60124-00	Fan – Assembly (Incls. Item 13).....	2
15	326-32756-00	Reducer – Copper 1/2 In. x 1/4 In. ....	1
16	326-60270-00	Tubing – Process (6 In. Lg.) (1/4 In. O.D.).....	1
17	321-60215-10	Compressor (G21000 & G30010).....	1
18	321-60206-10	Compressor (G22000).....	1
19	510-10317-00	Bracket – Condensate Pan.....	1
20	334-12213-07	Bushing 7/8 In. (Heyco).....	1
21	SER-28012-00	Pan – Drip.....	1
22	SK-701-13694-00	Pan – Condensate.....	1
23	325-60080-38	TXV – Valve (AA 1/4 MW35) (G21000 & G30010).....	1
24	325-60080-26	TXV – Valve (AA 1/4 SW30) (G22000).....	1

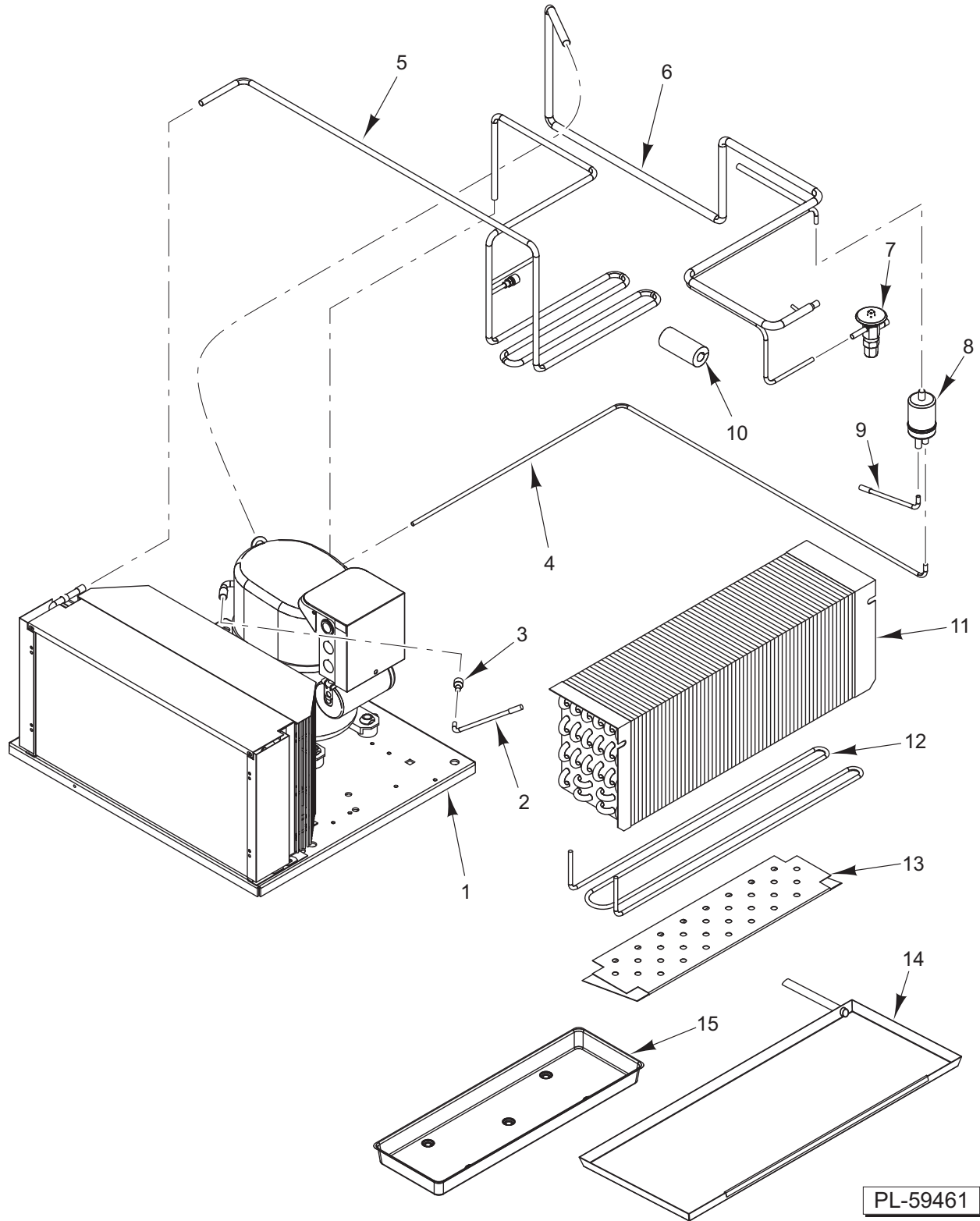


PL-59460

**CONDENSER, COMPRESSOR, AND EVAPORATOR  
(G31000)**

**CONDENSER, COMPRESSOR, AND EVAPORATOR  
(G31000)**

ILLUS.	PART NO.	NAME OF PART	AMT.
PL-59460			
1	321-60131-00	Unit – Condensing (DJAL-0076-IAA-140).....	1
2	326-60099-50	Loop – Hot Gas.....	1
3	325-60051-02	CRO – Valve CRO 1/2 In O.D.F. (Preset).....	1
4	323-60055-00	Tubing – Suction Line.....	1
5	327-60003-01	Wrap – Insulation.....	1
6	325-60080-34	TXV – Valve (AA 1/2 SW50).....	1
7	325-60103-00	Drier 1/4 In. x 1/4 In. O.D. (032S).....	1
8	326-60270-00	Tubing – Process (6 In. Lg.) (1/4 In. O.D.).....	1
9	323-60061-00	Tubing – Liquid Line.....	1
10	322-60047-00	Coil – Evaporator.....	1
11	329-60021-00	Heater Defrost (750 W., 115 V.).....	1
12	SK-701-60450-00	Baffle Defrost Heater Heatsink 18 In. ....	1
13	SER-28012-00	Pan – Drip.....	1
14	SK-701-13694-00	Pan – Condensate.....	1
	SK-701-25940-00	Bracket – Condensate Pan.....	1

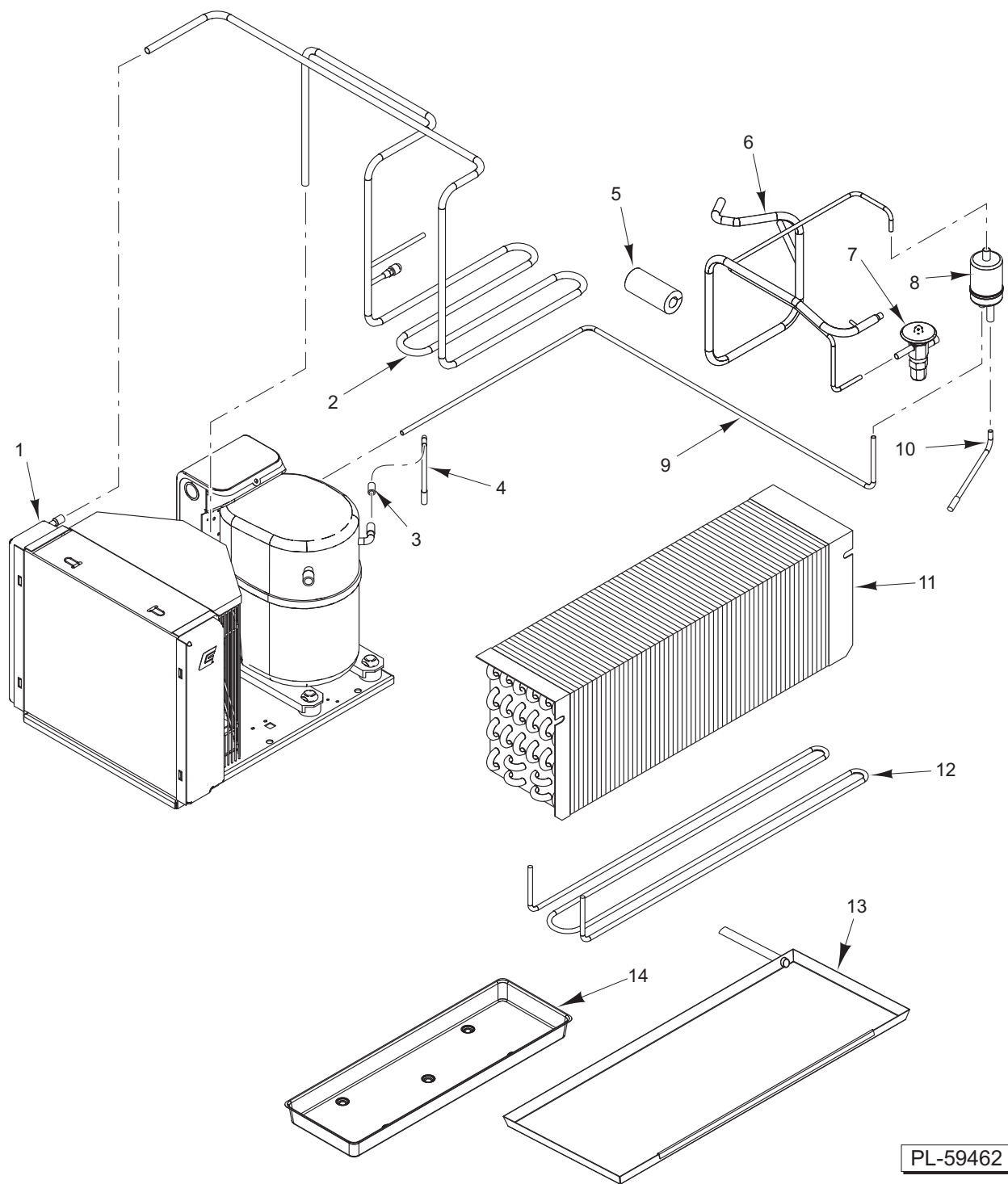


PL-59461

**CONDENSER, COMPRESSOR, AND EVAPORATOR  
(G31300)**

**CONDENSER, COMPRESSOR, AND EVAPORATOR  
(G31300)**

ILLUS.	PART NO.	NAME OF PART	AMT.
PL-59461			
1	321-60199-00	Unit – Condensing (FEAL-0090-CAV-140).....	1
2	326-60270-00	Tubing – Process (6 In. Lg.) (1/4 In. O.D.) .....	1
3	326-32756-00	Reducer – Copper 1/2 In. x 1/4 In.....	1
4	323-60061-00	Tubing – Liquid Line.....	1
5	326-60205-00	Loop – Hot Gas.....	1
6	326-60206-00	Tubing – Suction Line .....	1
7	325-60080-34	TXV – Valve (AA 1/2 SW50).....	1
8	325-60103-00	Drier 1/4 In. x 1/4 In. O.D. (032S) .....	1
9	326-60270-00	Tubing – Process (6 In. Lg.) (1/4 In. O.D.) .....	1
10	327-60003-01	Wrap – Insulation .....	1
11	322-60047-00	Coil – Evaporator .....	1
12	329-60024-00	Heater Defrost (750 W., 115 V.).....	1
13	SK-701-60450-00	Baffle Defrost Heater Heatsink 18 In. ....	1
14	SER-28012-00	Pan – Drip .....	1
15	SK-701-13694-00	Pan – Condensate .....	1
	SK-701-25940-00	Bracket – Condensate Pan.....	1



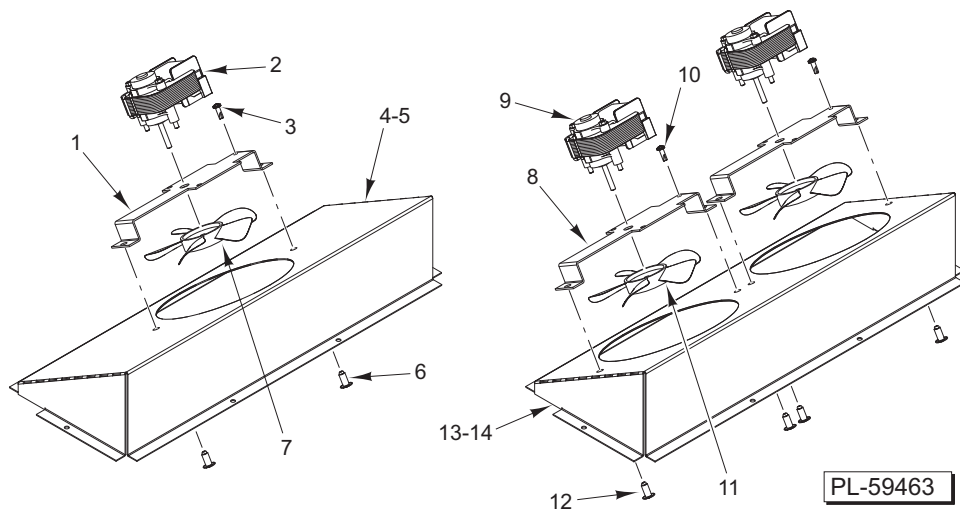
PL-59462

**CONDENSER, COMPRESSOR, AND EVAPORATOR  
(G32000)**



**CONDENSER, COMPRESSOR, AND EVAPORATOR  
(G32000)**

ILLUS.	PART NO.	NAME OF PART	AMT.
PL-59462			
1	321-60134-00	Unit – Condensing (FTAH-A074-IAA-141).....	1
2	326-60099-60	Loop – Hot Gas.....	1
3	326-60420-04	Reducer – Copper <sup>3</sup> / <sub>8</sub> In. x <sup>1</sup> / <sub>4</sub> In.....	1
4	326-60270-00	Tubing – Process (6 In. Lg.) ( <sup>1</sup> / <sub>4</sub> In. O.D.).....	1
5	327-60003-01	Wrap – Insulation.....	1
6	323-60053-60	Tubing – Suction Line.....	1
7	325-60080-38	TXV – Valve (AA <sup>1</sup> / <sub>4</sub> MW35).....	1
8	325-60103-00	Drier <sup>1</sup> / <sub>4</sub> In. x <sup>1</sup> / <sub>4</sub> In. O.D. (032S).....	1
9	323-60051-60	Line – Liquid.....	1
10	326-60270-00	Tubing – Process (6 In. Lg.) ( <sup>1</sup> / <sub>4</sub> In. O.D.).....	1
11	322-60047-00	Coil – Evaporator.....	1
12	329-60021-00	Heater Defrost (750 W., 115 V.).....	1
13	SER-28012-00	Pan – Drip.....	1
14	SK-701-13694-00	Pan – Condensate.....	1
	SK-701-25940-00	Bracket – Condensate Pan.....	1



### EVAPORATOR FAN ASSEMBLY

**EVAPORATOR FAN ASSEMBLY**

ILLUS.	PART NO.	NAME OF PART	AMT.
PL-59463			
1	SK-701-60837-00	Bracket – Fan Mount (G1 Series).....	1
2	338-60054-00	Motor – Fan (G1 Series).....	1
3	351-60038-00	Screw – Grounding 8-32 x 1/2 (G1 Series).....	1
4	605-50016-01	Box – Fan Recessed (30 Deg.) (G1 Series).....	1
5	370-29550-00	Decal – Caution (G1 Series).....	1
6	358-10003-00	Rivet (G1 Series).....	2
7	433090	Blades – Fan (Plastic) (G1 Series).....	1
8	SK-701-60837-00	Bracket – Fan Mount (G2 & G3 Series).....	2
9	338-60054-00	Motor – Fan (G2 & G3 Series).....	2
10	351-60038-00	Screw – Grounding (G2 & G3 Series).....	2
11	433090	Blades – Fan (G2 & G3 Series).....	2
12	354-60033-00	Rivet (G2 & G3 Series).....	4
13	605-50016-02	Box – Fans Recessed (30 Deg.) (G2 & G3 Series).....	1
14	370-29550-00	Decal – Caution (G2 & G3 Series).....	1
	SK-600-60841-00	Fan Assy. (1 Fan) (G1 Series).....	1
	SK-600-70023-00	Fan Assy. (2 Fan) (G2 Series).....	1

