



**T-Series, TM Models,  
TS-28-262, TS-63  
&  
Upright Reach-In  
Refrigerator/ Freezer  
Parts Manual**

**TO PLACE AN ORDER OR OBTAIN INFORMATION:**

**WEBSITE:**

[www.truemfg.com](http://www.truemfg.com)

**SEND INQUIRIES TO:**

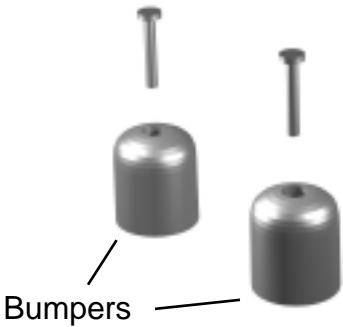
TRUE MANUFACTURING COMPANY, INC. ATTN: PARTS DEPARTMENT  
St. Charles Industrial Center • P.O. Box 970 • O'Fallon, Missouri 63366 • U.S.A

**CALL TOLL-FREE:**

800-424-TRUE (Direct to Parts Department)  
or 800-325-6152 (U.S.A & Canada only)  
OR CALL: 636-240-2400

FAX: 636-272-9471

# Accessories

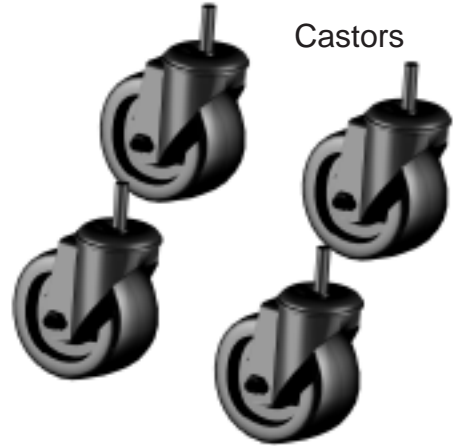


# Castors, Legs & Levelers

Castors



Castors



Legs



Screw, Leveling  
Nylon Foot



Screw, Leveling



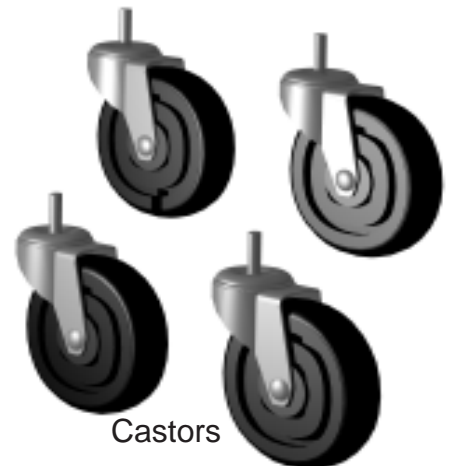
Legs



Legs, Siesmec



Castors

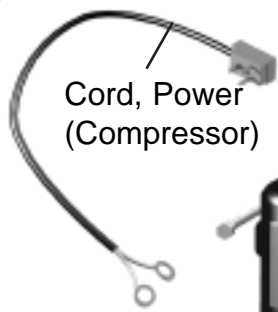


**B.**

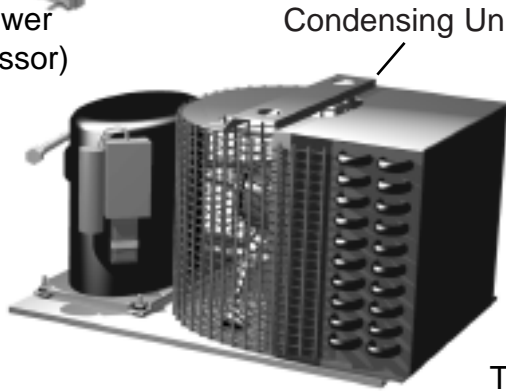
# Compressors

T-Series Freezer 1/2 HP or less.

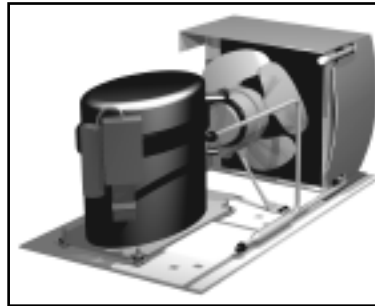
Motor, Condenser Fan



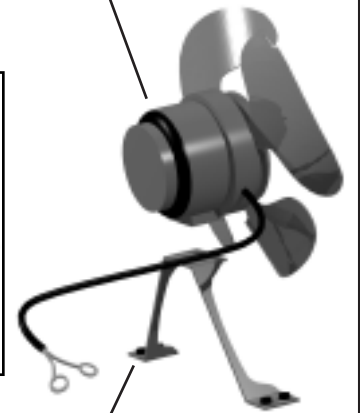
Cord, Power (Compressor)



Condensing Unit

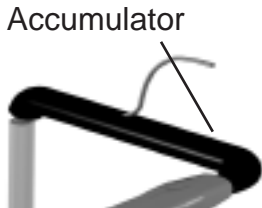


Top Mount Condensing Unit

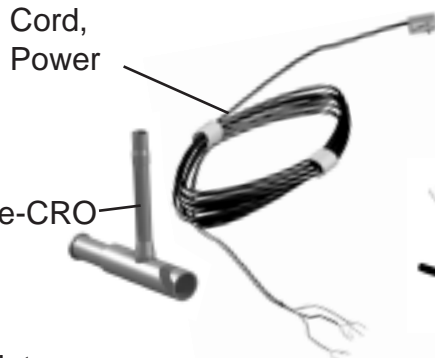


Bracket, Fan Motor

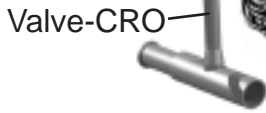
Blade, Fan Motor Condenser



Accumulator

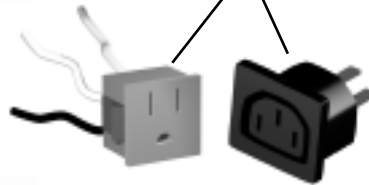


Cord, Power



Valve-CRO

Outlet, Compressor

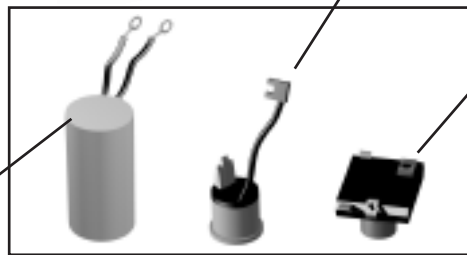


Block, Terminal



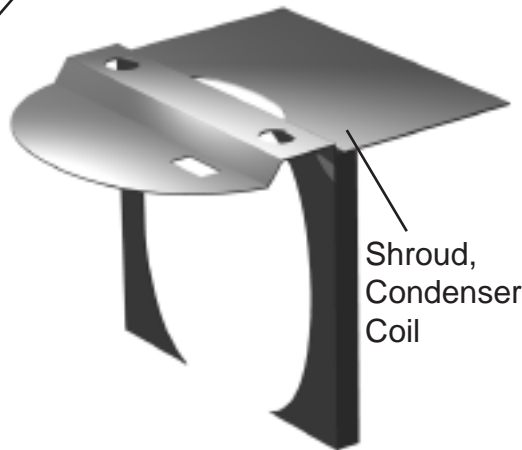
Accumulator, Capillary, & Suction Line & Shorter Suction Line for Top Mount Units

Capacitor, start



Overload

Relay

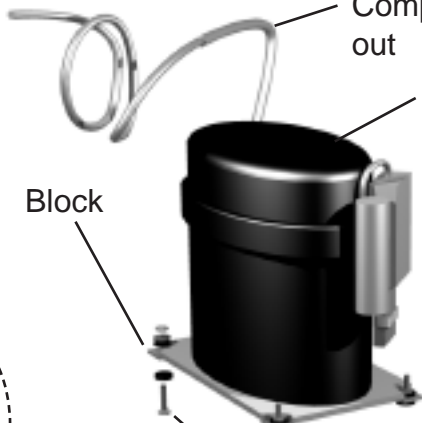


Shroud, Condenser Coil

Accumulator, Capillary & Suction Line

Compressor Pull out

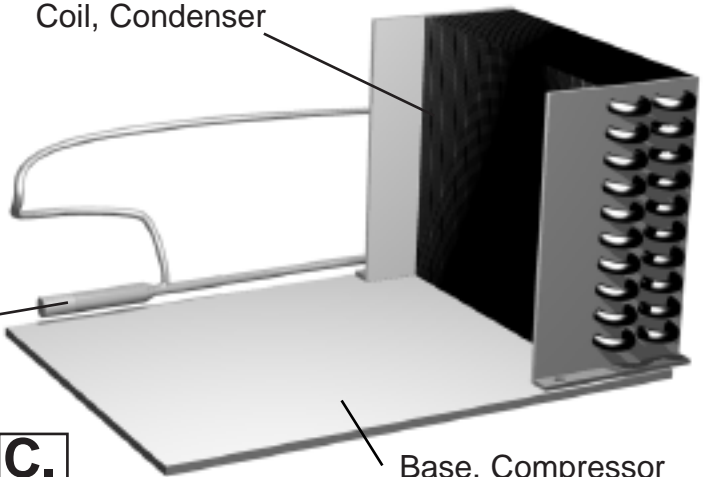
Compressor



Block

Bolt, Compressor

Coil, Condenser



Base, Compressor

Capillary Tube



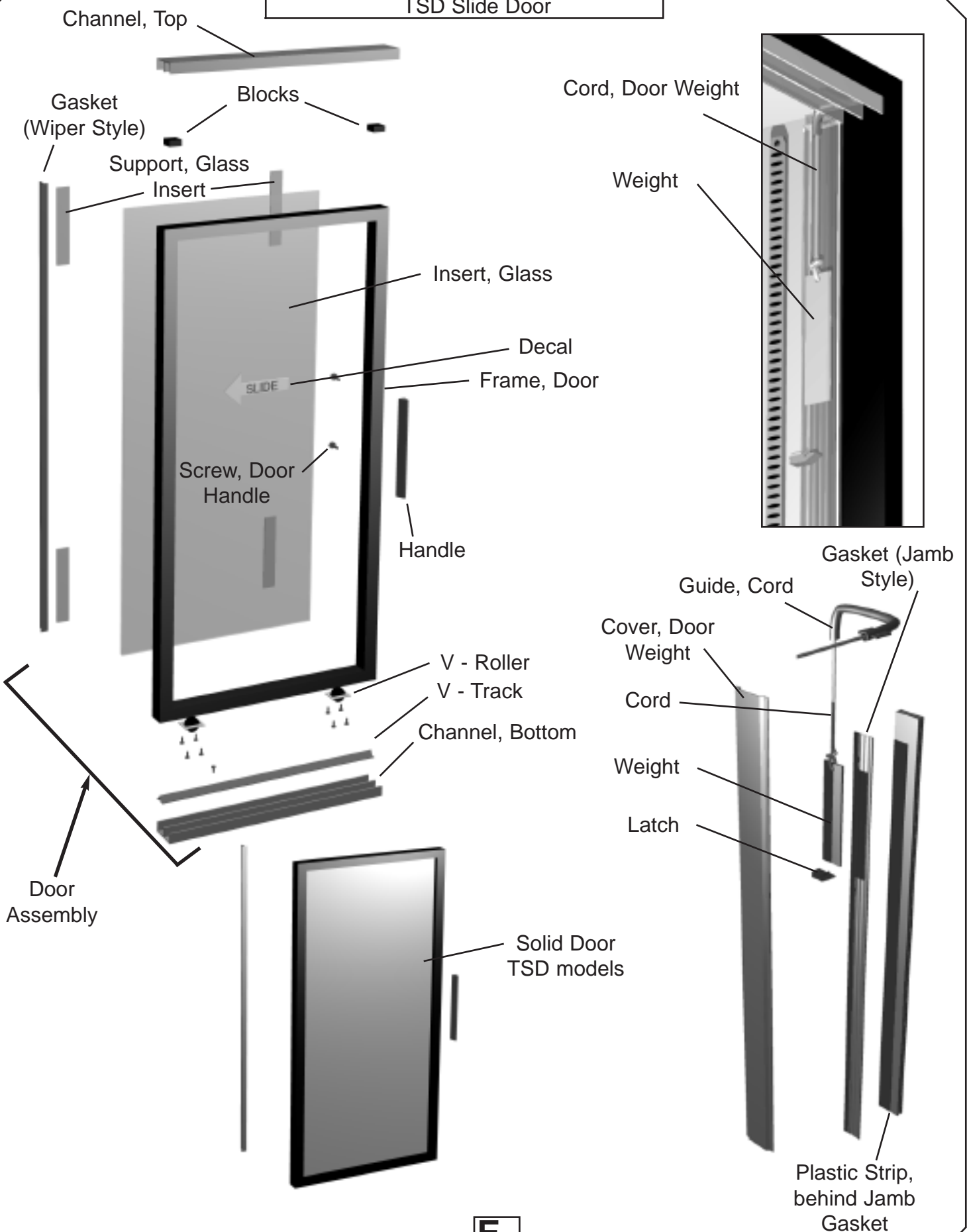
Drier, Compressor

C.



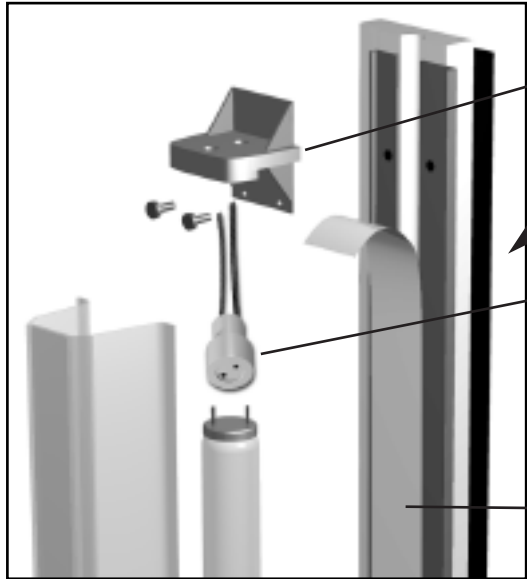
# Door Parts

TSD Slide Door



# Door Parts

T-Series & TS-Series Coolers Swing Door with Integrated Door Light (IDL) 24K



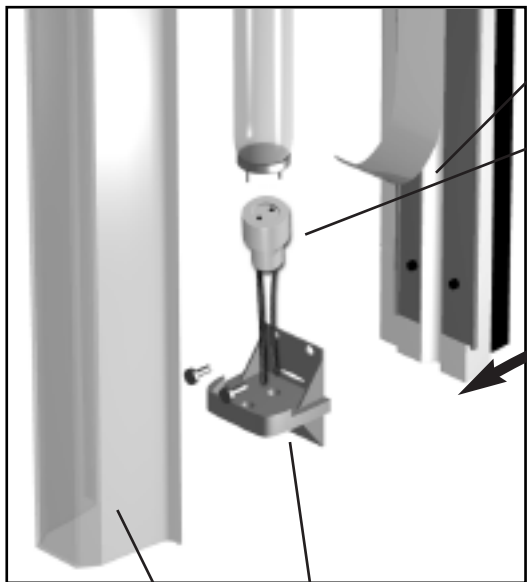
Base, Lampholder

Door

Lampholder Top  
#542 with 53 3/4" lead  
801230 24K

Tape, Light Filler Channel  
Aluminum

Channel, Light Filler

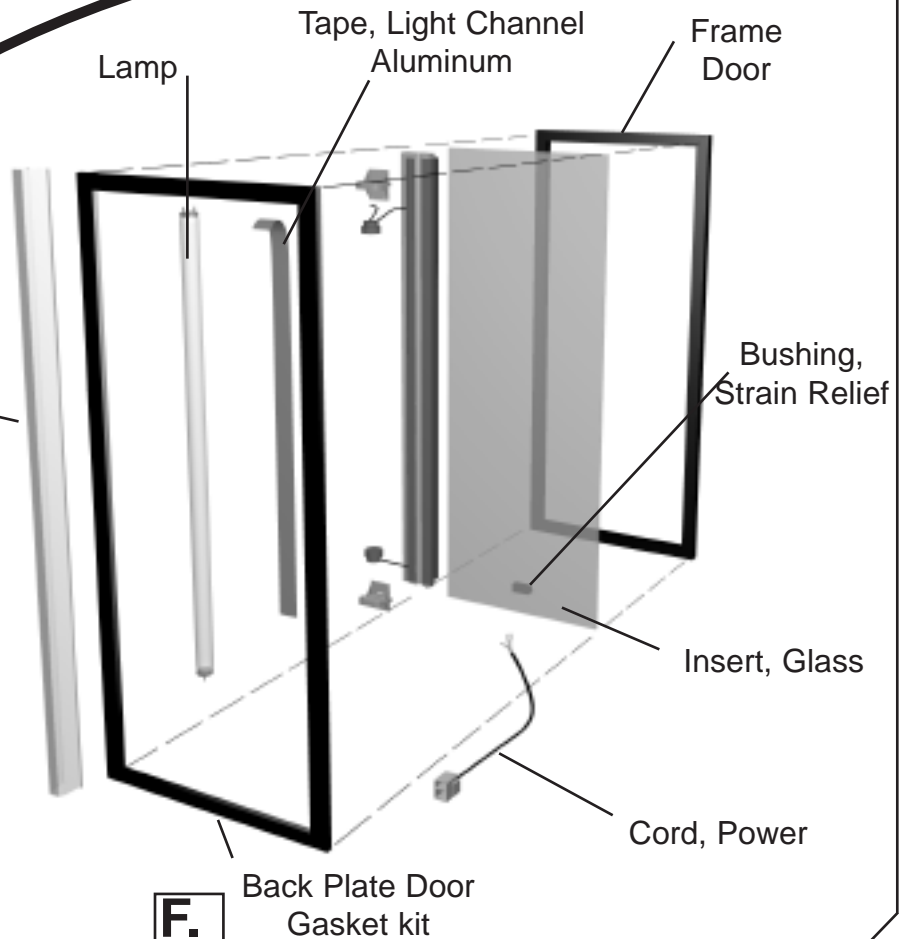


Lampholder Bottom  
#541 with 5 3/4" lead  
801254 24K

Base, Lampholder

Lamp Shield

Lamp Shield



Lamp

Tape, Light Channel  
Aluminum

Frame  
Door

Bushing,  
Strain Relief

Insert, Glass

Cord, Power

Back Plate Door  
Gasket kit

**F.**

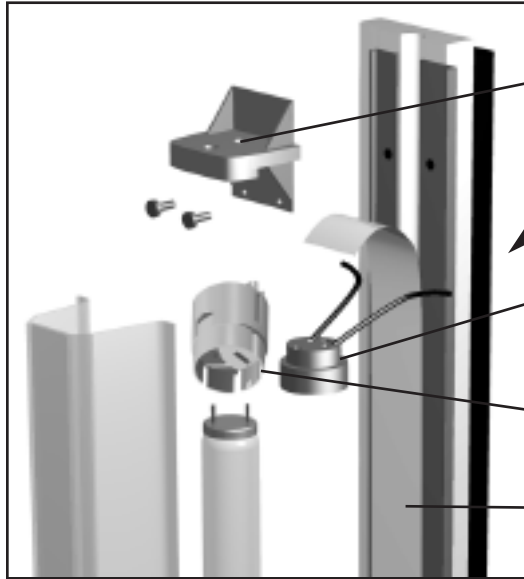
Cord, Power,  
Door "Y"

Receptacle



# Door Parts

T-Series & TS-Series Cooler Glass Swing Doors with Integrated Door Light (IDL)



Base, Lampholder

Lampholder Top  
#542 with 52 3/4" lead

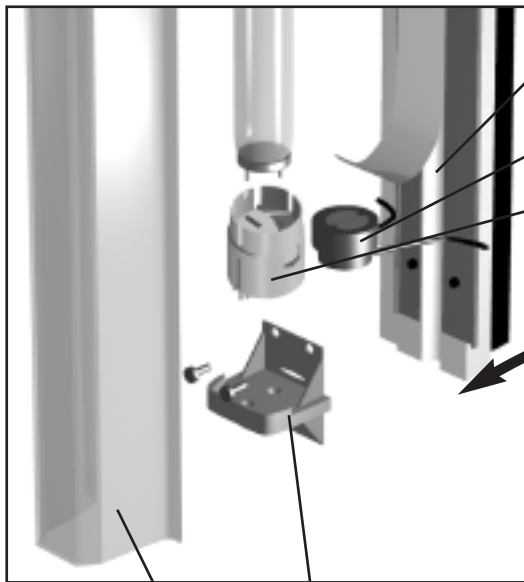
Lampholder Top  
26.420.4404.50

Tape, Light Filler Channel  
Aluminum

Channel, Light Filler

Lampholder Bottom  
#542 with 4 1/2" lead

Lampholder Bottom  
26.420.4404.50



Base, Lampholder

Lamp Shield

Tape, Light Channel  
Aluminum

Lamp

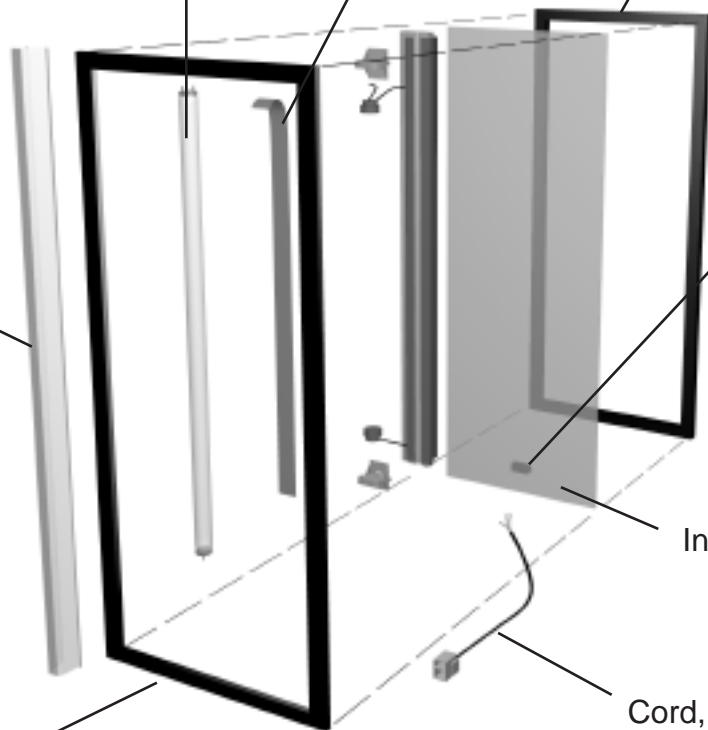
Gasket



Cord, Power,  
Door "Y"



Receptacle



Bushing,  
Strain Relief

Insert, Glass

Cord, Power

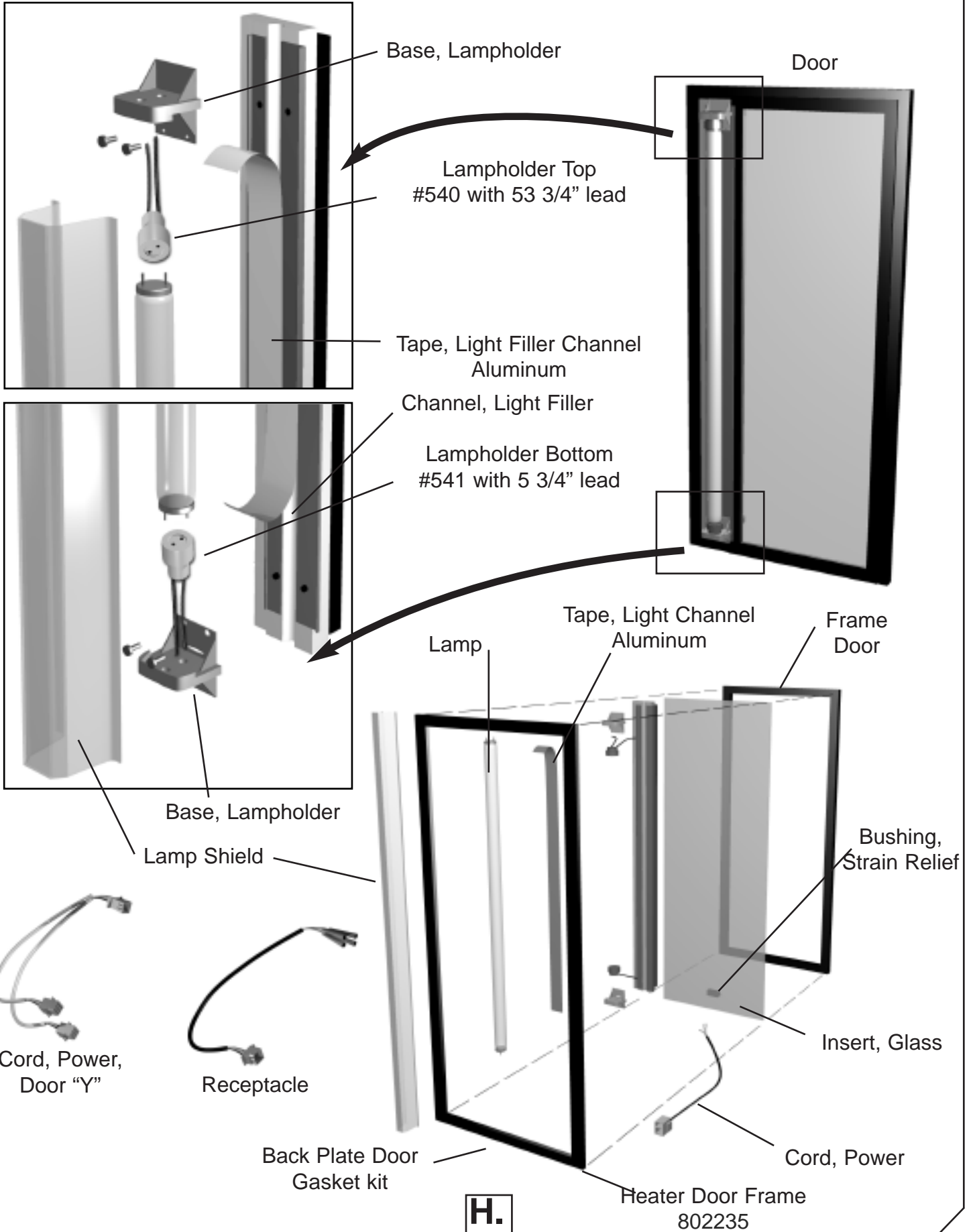
Back Plate Door  
Gasket kit

G.



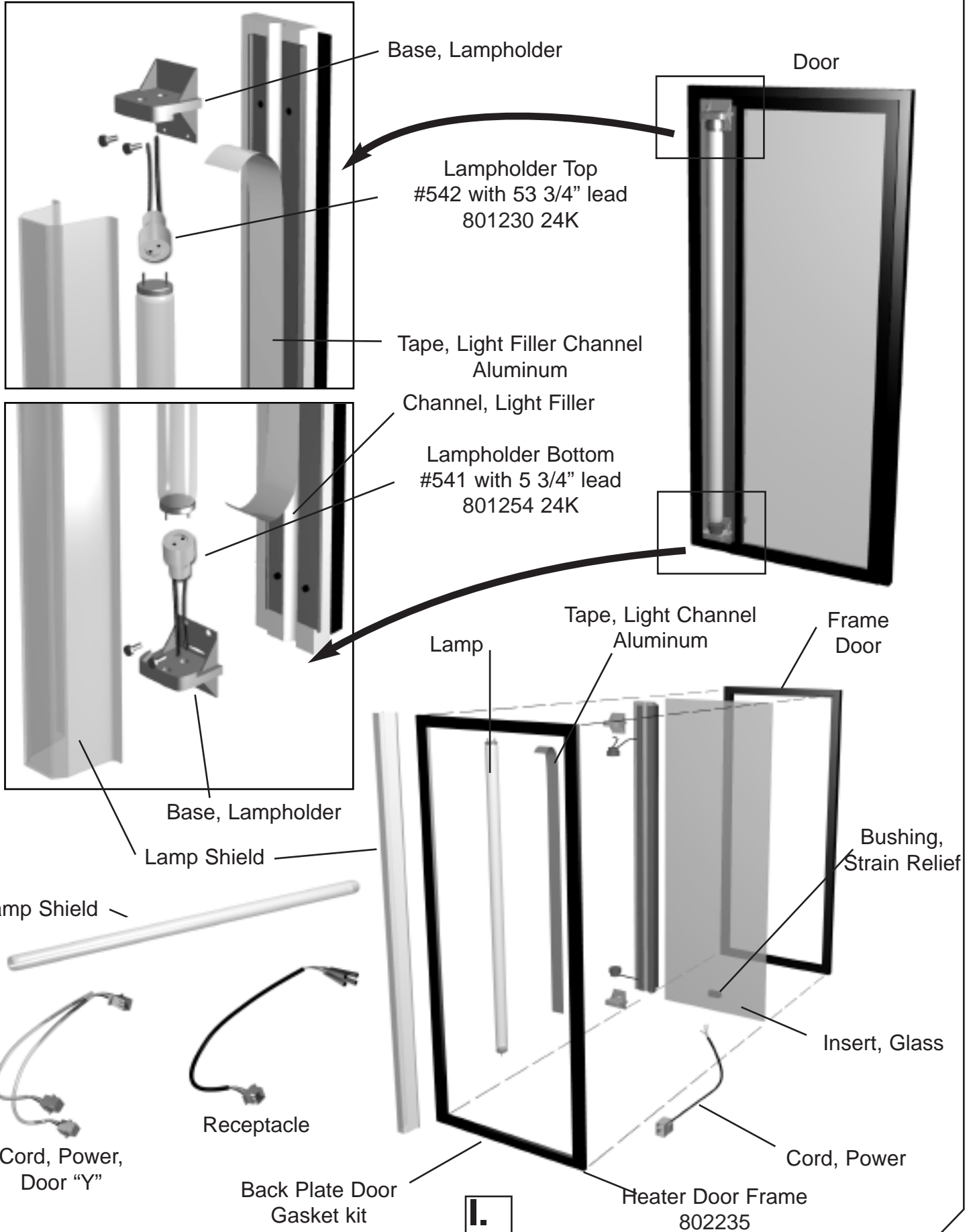
# Door Parts

T-Series, TS-Series Freezer & GDM Freezer Swing Door with Integrated Door Light (IDL) VHO Lamp



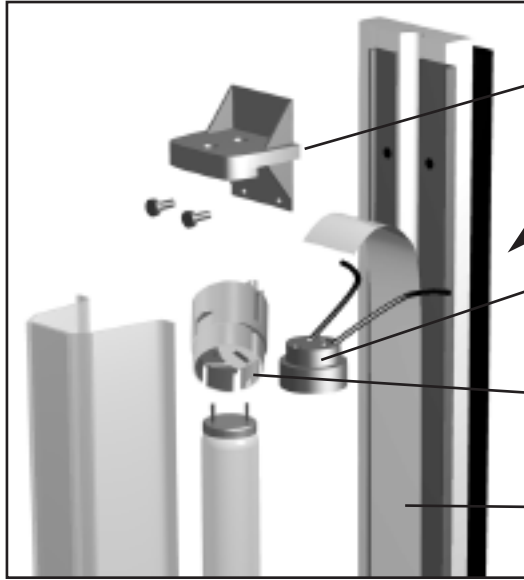
# Door Parts

T-Series, TS-Series Freezer & GDM Freezer Swing Door with Integrated Door Light (IDL) 24K



# Door Parts

TM - Cooler 115v/208/220v Swing Door with Integrated Door Light (IDL) 24K



Base, Lampholder

Lampholder Top  
#542 with 4 1/2" lead

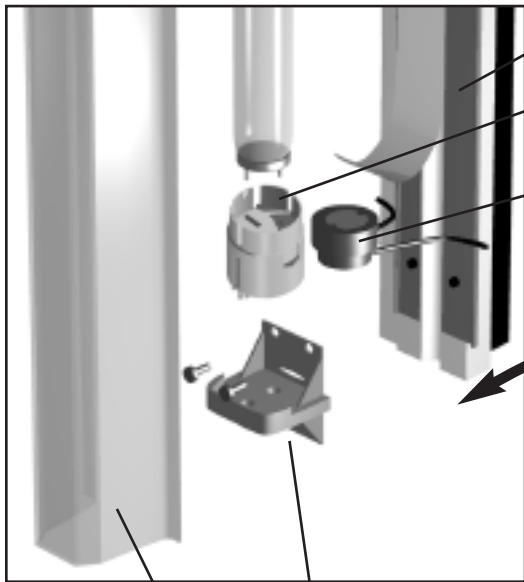
Lampholder Top  
26.420.4404.50

Tape, Light Filler Channel  
Aluminum

Channel, Light Filler

Lampholder Bottom  
26.420.4404.50

Lampholder Bottom  
# 542 with 52 3/4" lead



Base, Lampholder

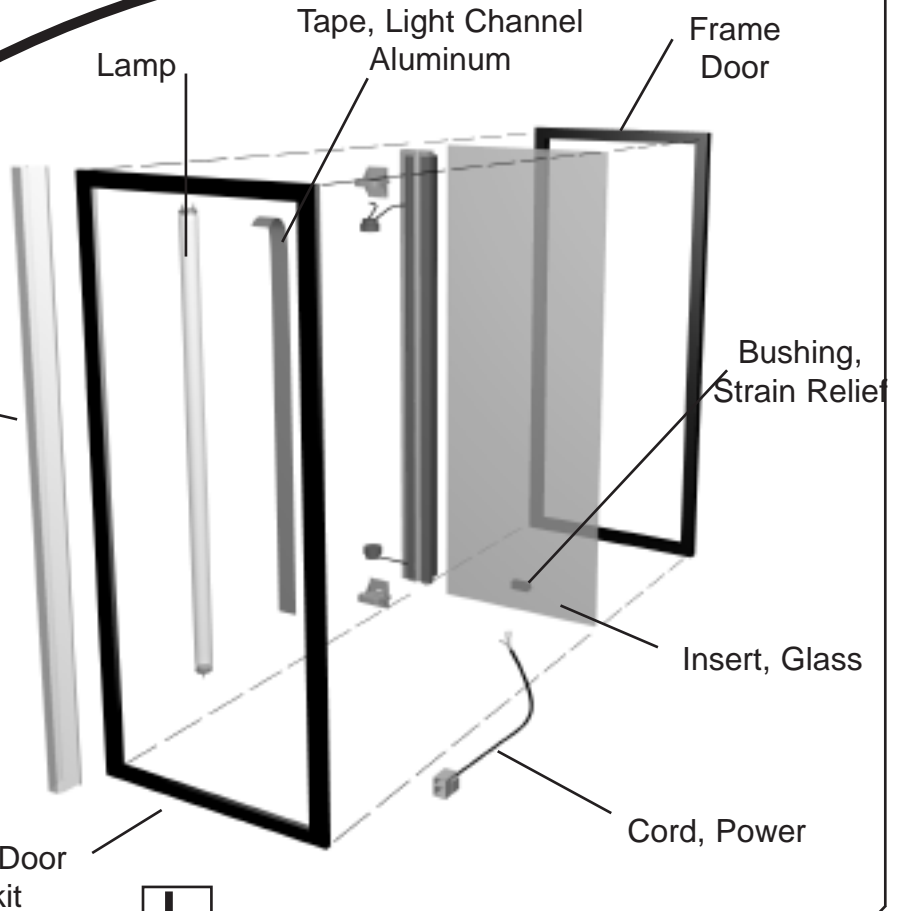
Lamp Shield



Cord, Power,  
Door "Y"



Receptacle



Lamp

Tape, Light Channel  
Aluminum

Frame  
Door

Bushing,  
Strain Relief

Insert, Glass

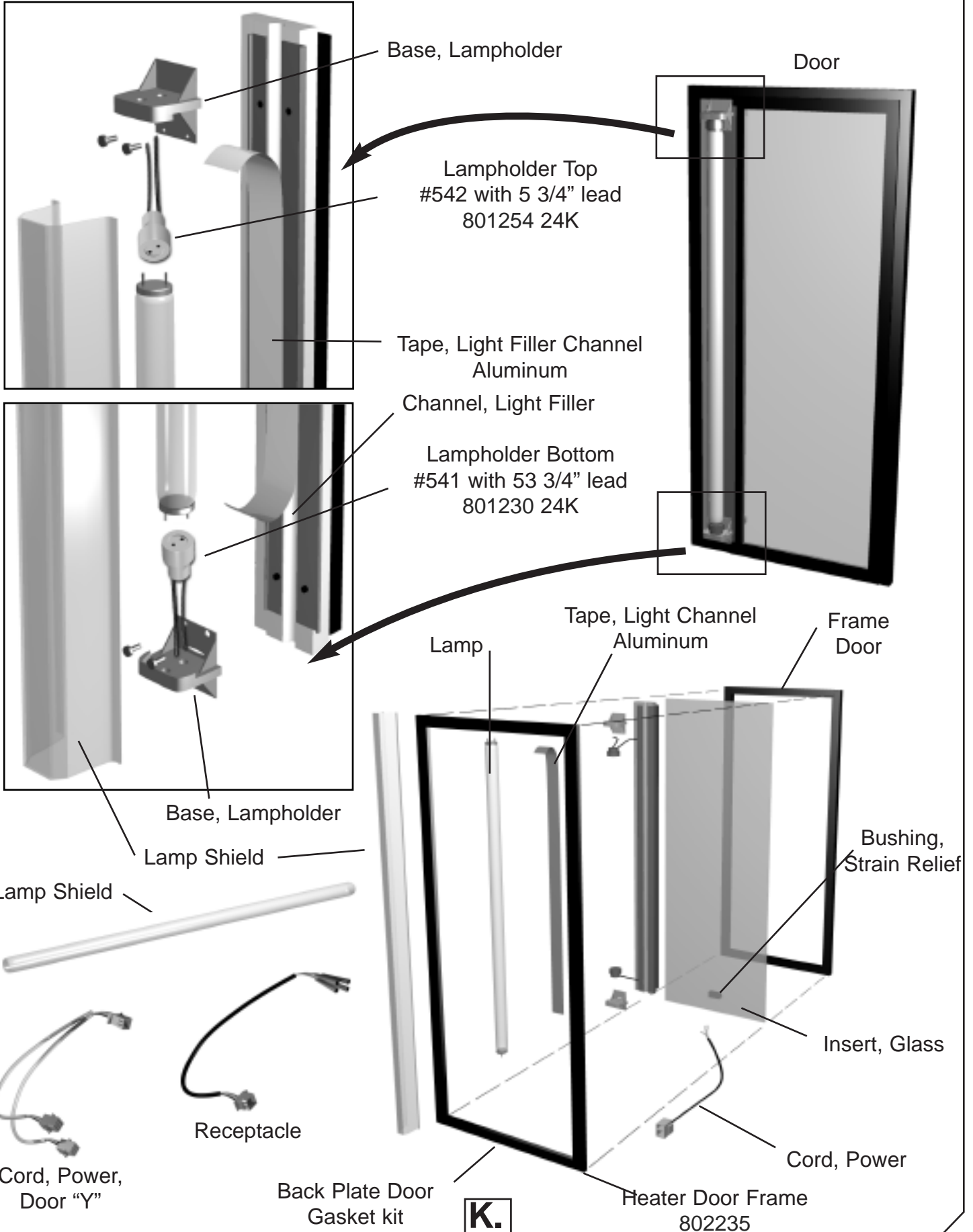
Cord, Power

Back Plate Door  
Gasket kit

J.

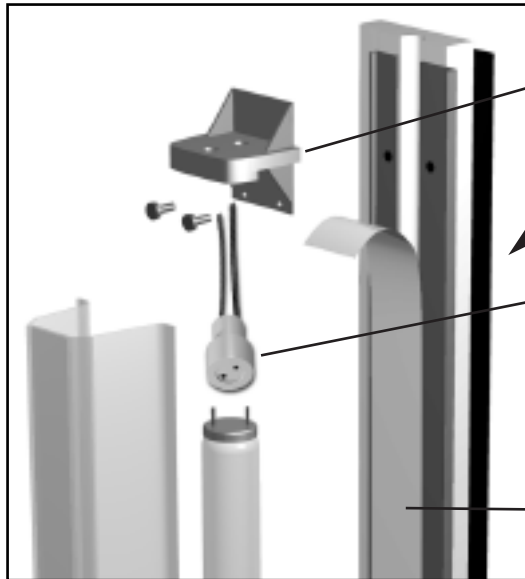
# Door Parts

TM - Freezer 115v/208/220v Swing Door with Integrated Door Light (IDL) 24K



# Door Parts

TM - Freezer 115v/208/220v Swing Door with Integrated Door Light (IDL) VHO Lamp



Base, Lampholder

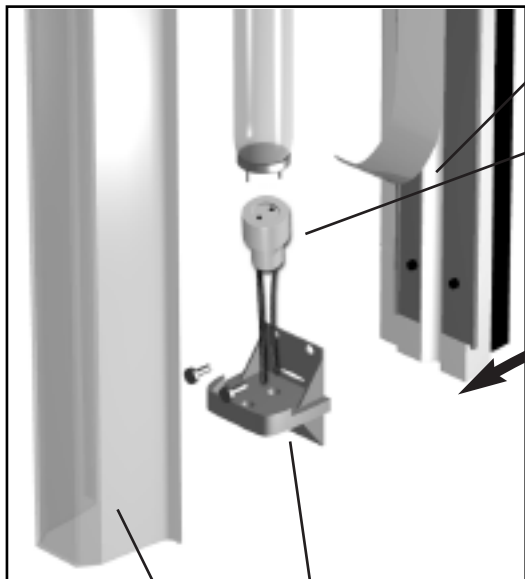
Door

Lampholder Top  
#541 with 5 3/4" lead  
801358

Tape, Light Filler Channel  
Aluminum

Channel, Light Filler

Lampholder Bottom  
#540 with 5 3/4" lead  
801359



Base, Lampholder

Lamp Shield

Tape, Light Channel  
Aluminum

Lamp

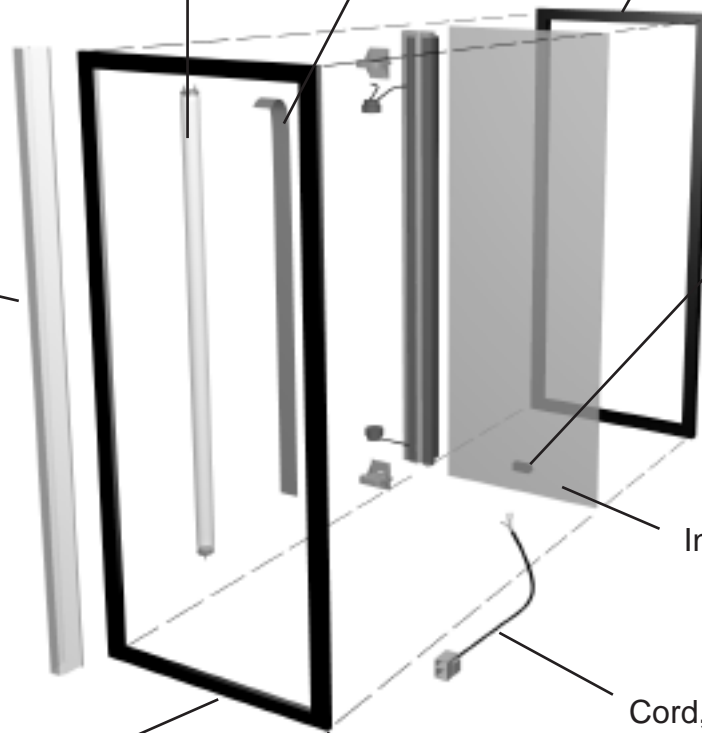
Frame  
Door



Cord, Power,  
Door "Y"



Receptacle



Back Plate Door  
Gasket kit

Heater Door Frame  
802235

L.

# Door Parts

T-Series Swing Door, Non-IDL

Gasket

Back Plate, Door  
Gasket

Insert, Glass

Frame,  
Door

Handle

Back  
Plate

Base,  
Plastic  
Door  
Mullion

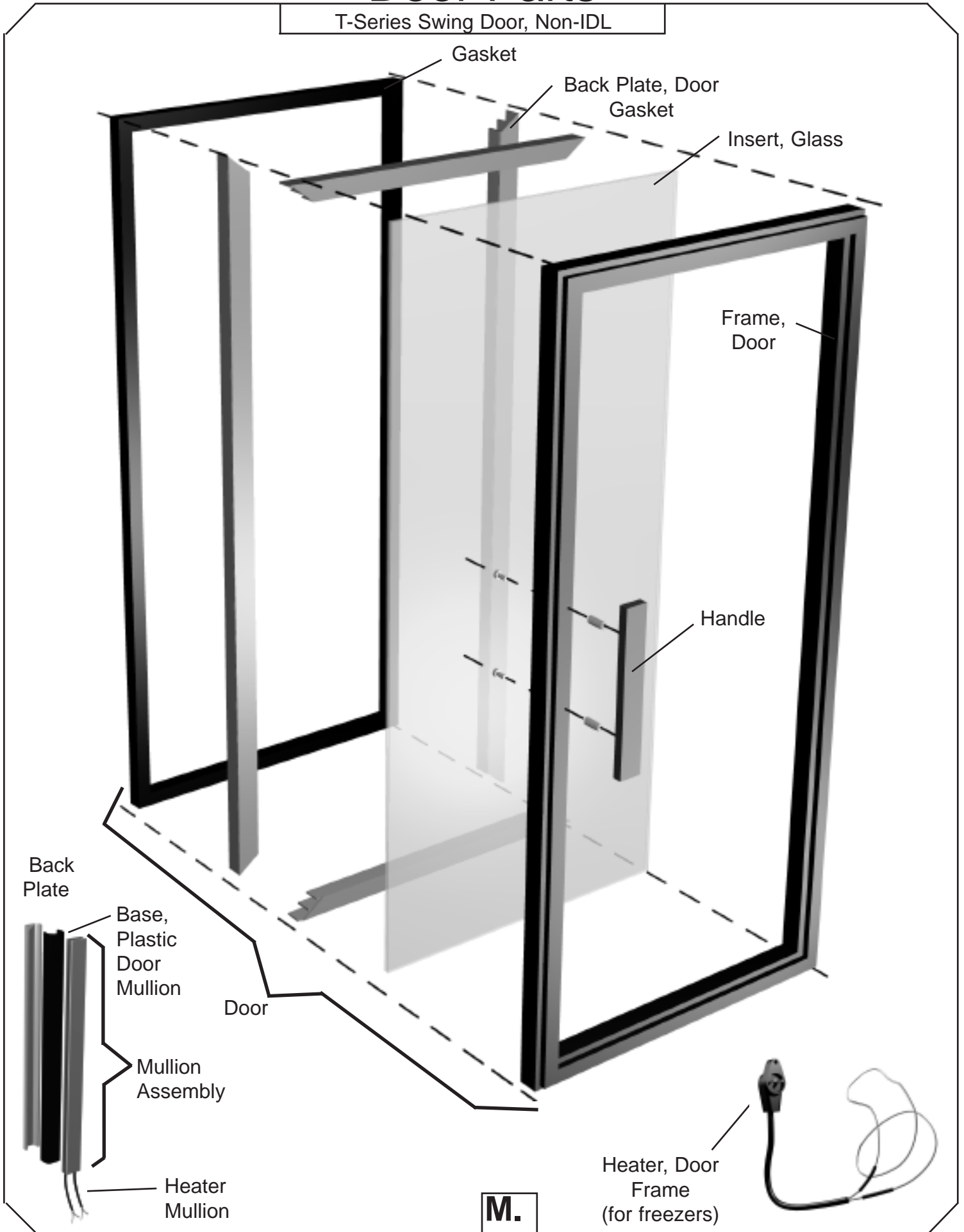
Door

Mullion  
Assembly

Heater  
Mullion

Heater, Door  
Frame  
(for freezers)

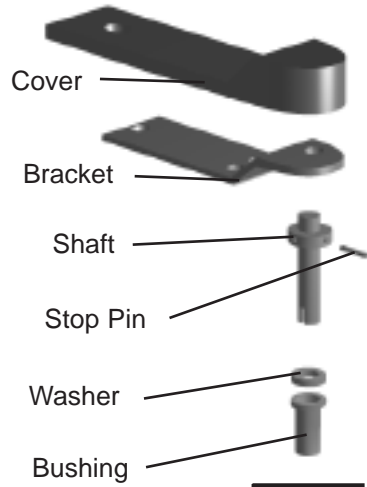
M.



# Door Parts

## Door Hinges

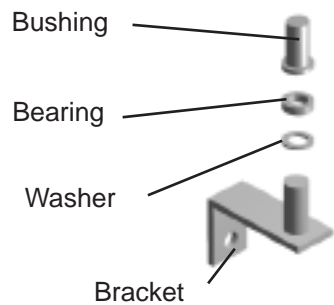
### T-12, T-12F Kit, Door Hinge Top



Block

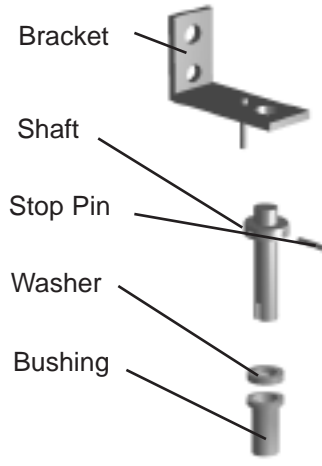
Spring

Block



### Kit, Door Hinge Bottom

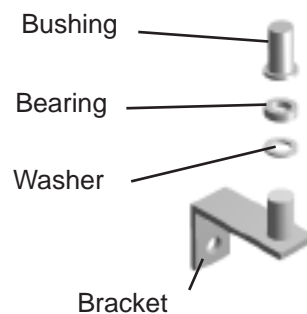
### T-Series Full Door Kit, Door Hinge Top



Block

Spring

Block



### Kit, Door Hinge Bottom

N.

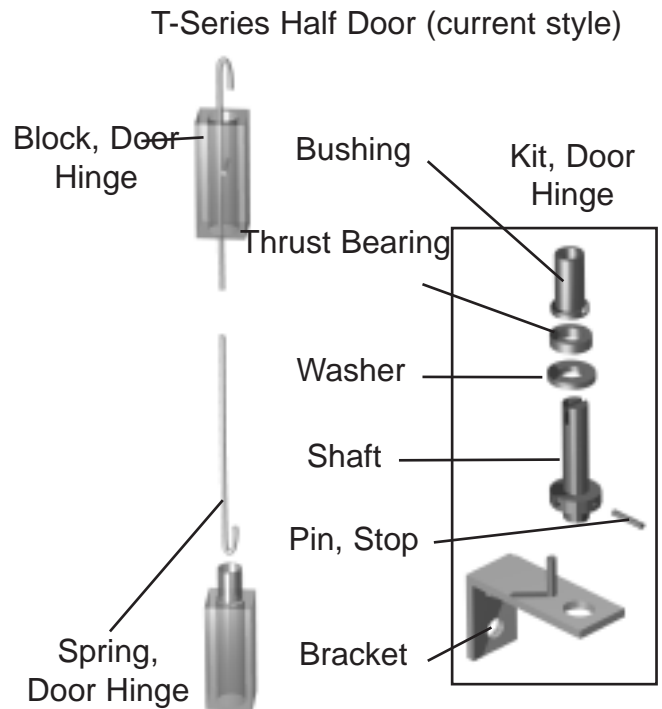
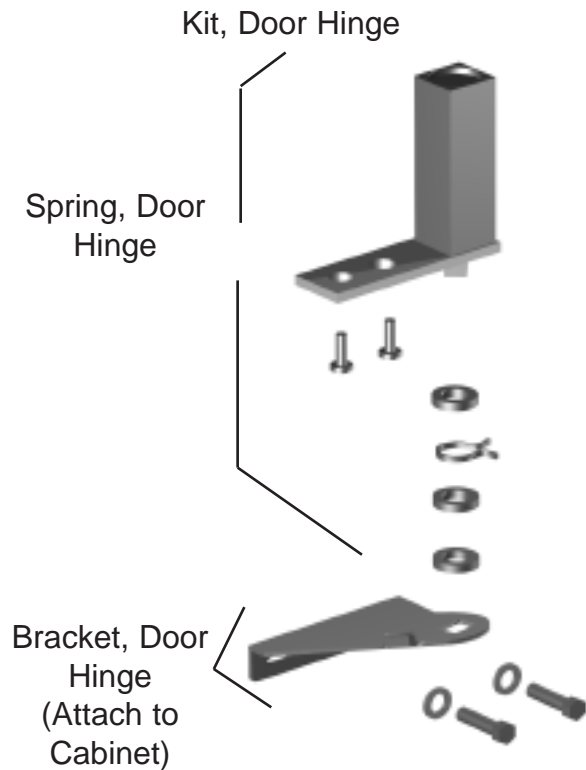
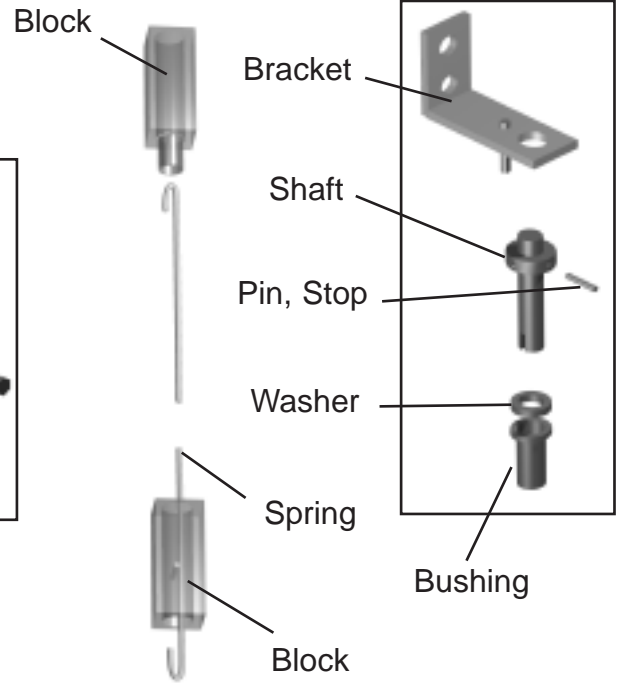
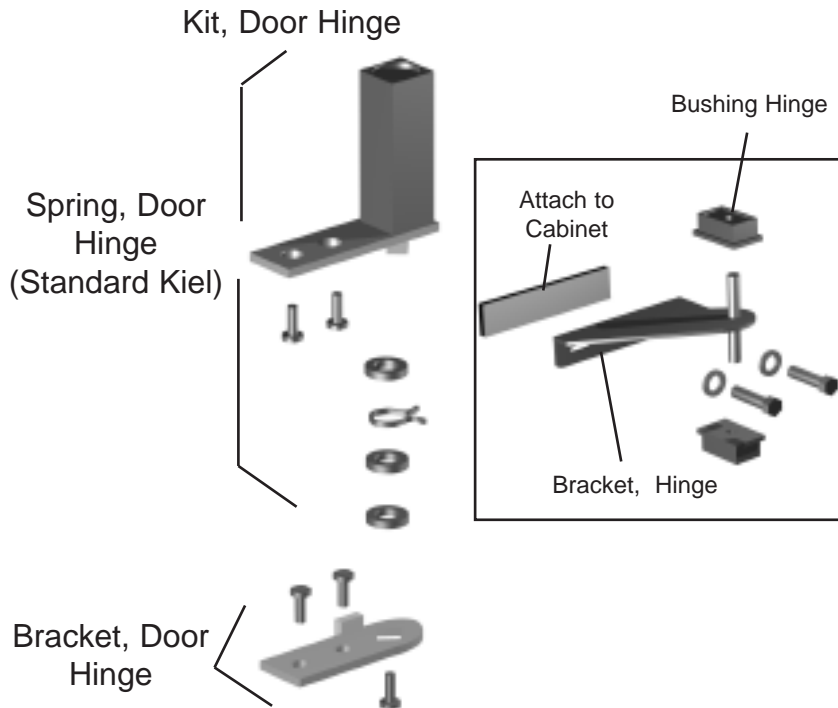


# Door Parts

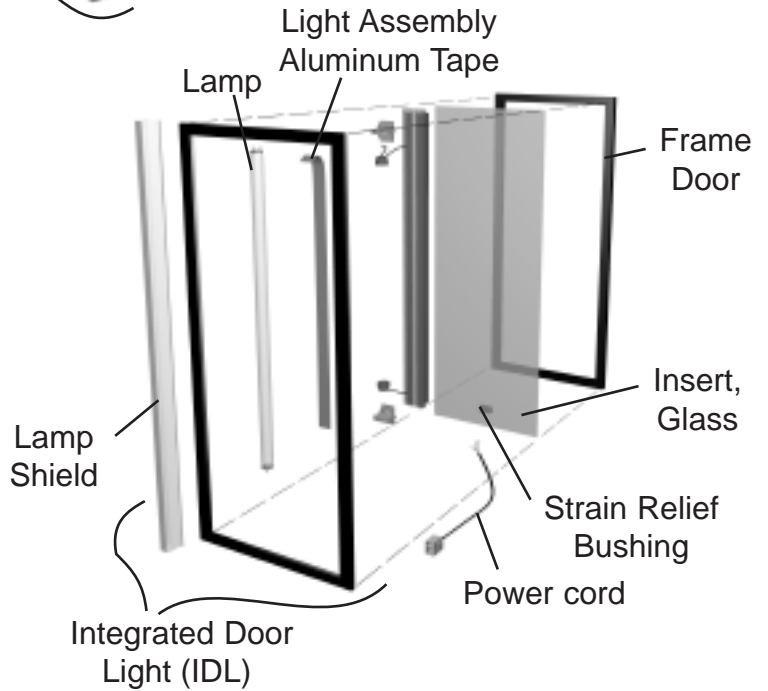
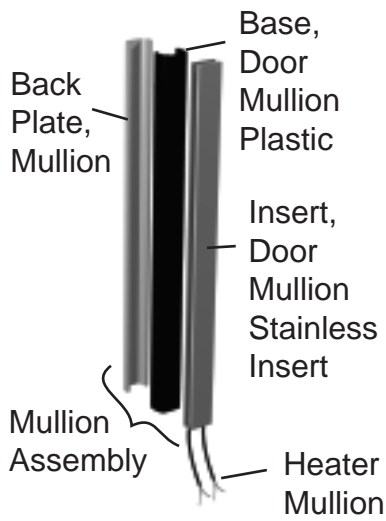
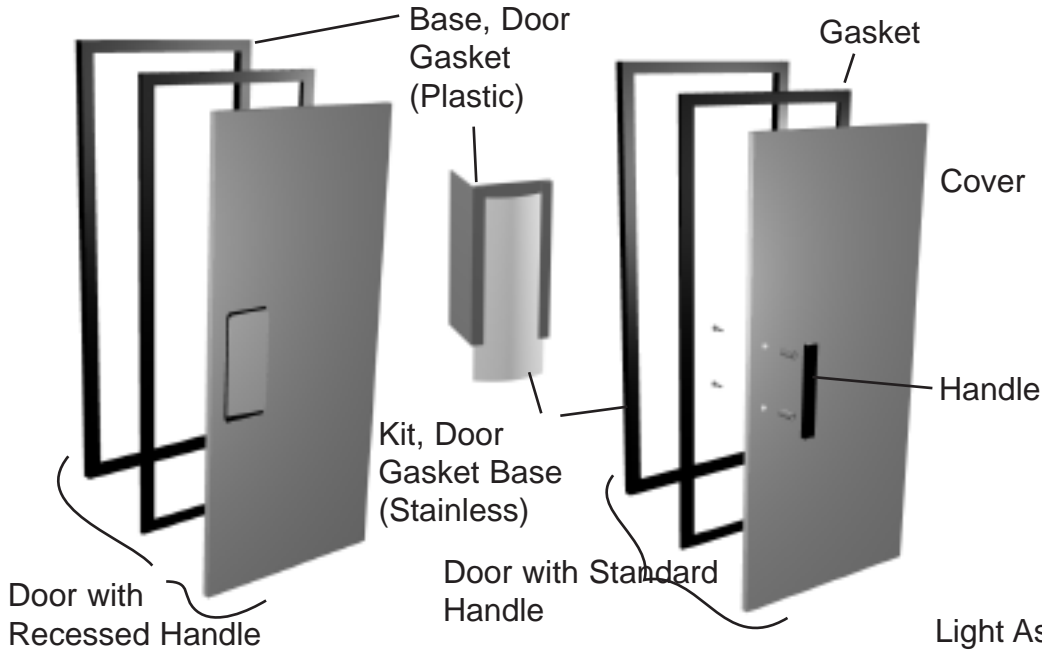
## T-Series Half Door Hinges

T-Series Half Door (old style  
prior to 1995)

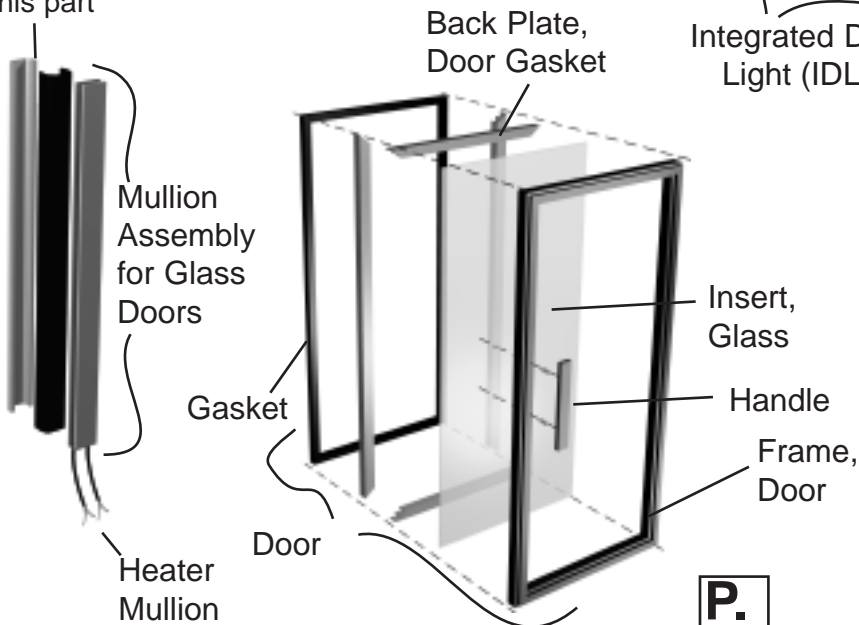
T-Series Half Door (current style)  
Kit, Door Hinge



# Door Parts

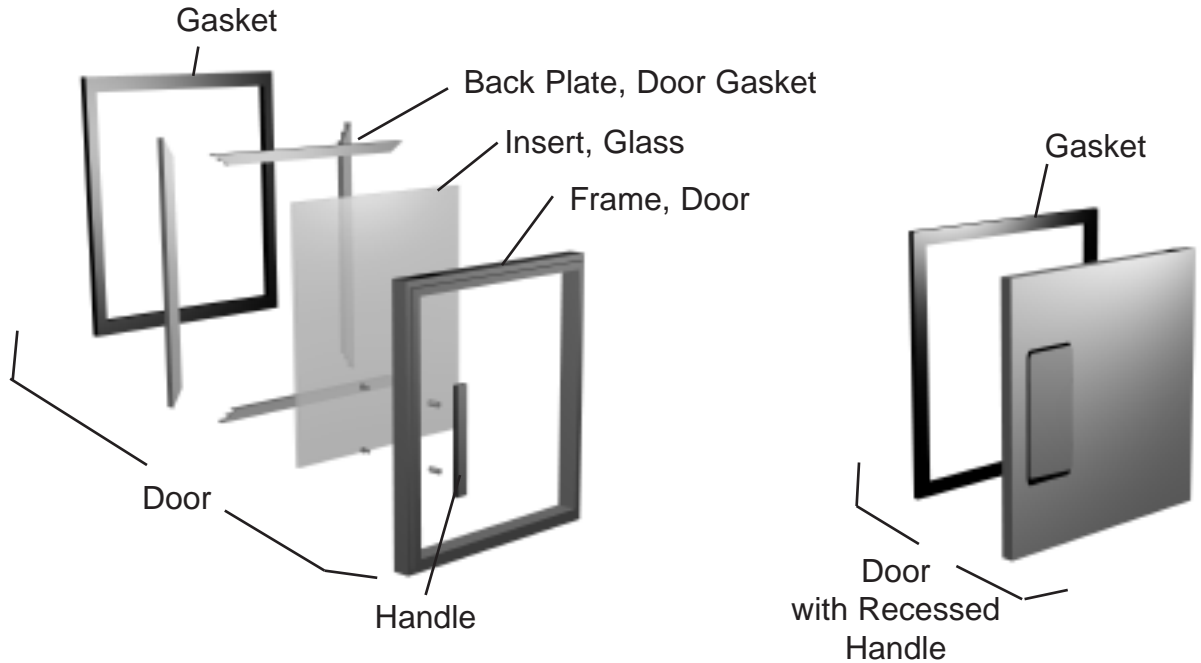


See Lighting Section for this part

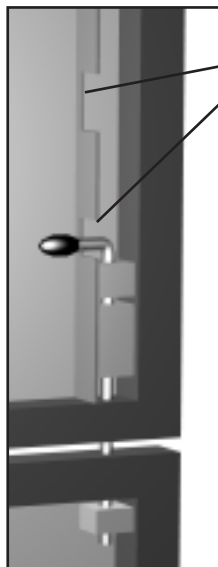


# Door Parts

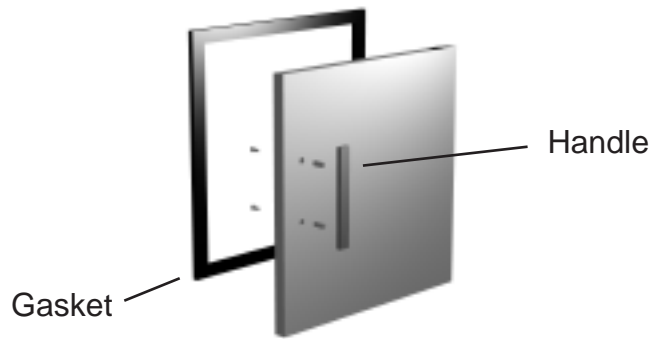
T-Series Half Door (old style prior to 1995 & Current)



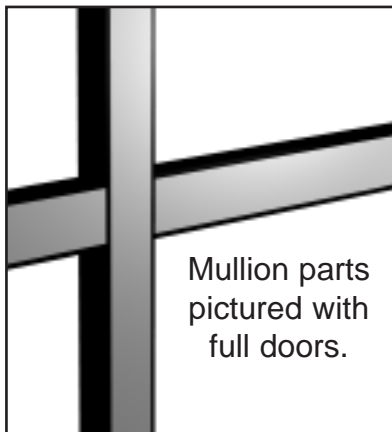
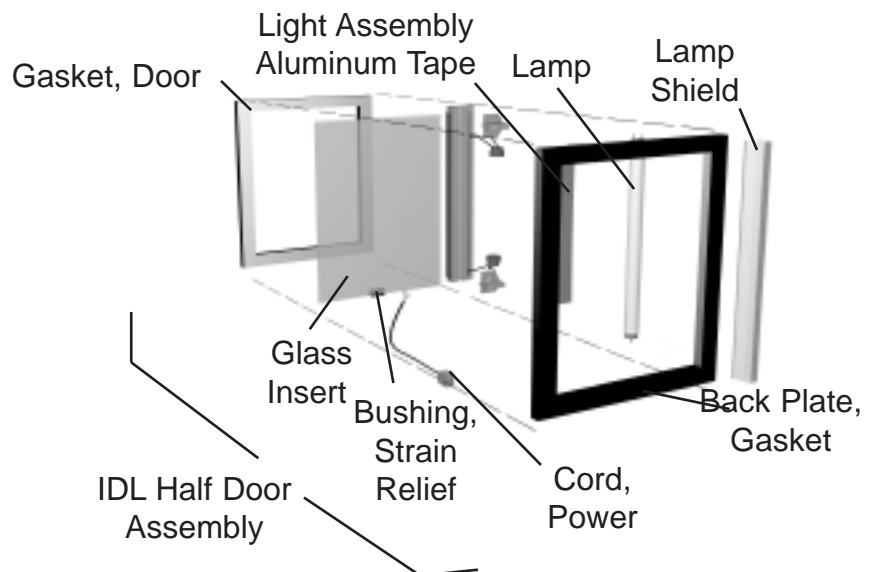
Bar, Door Lock



Old style prior to 1995

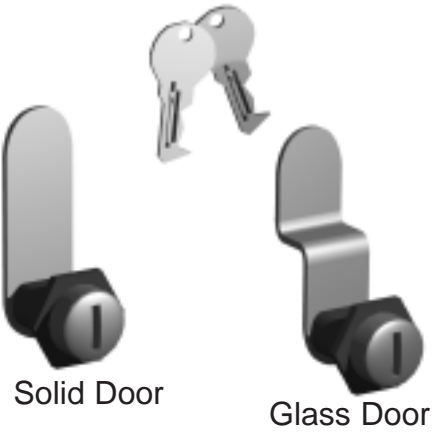
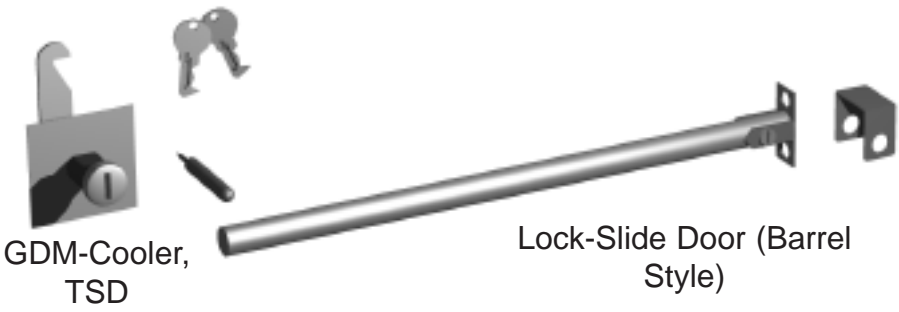


Current Style (IDL)



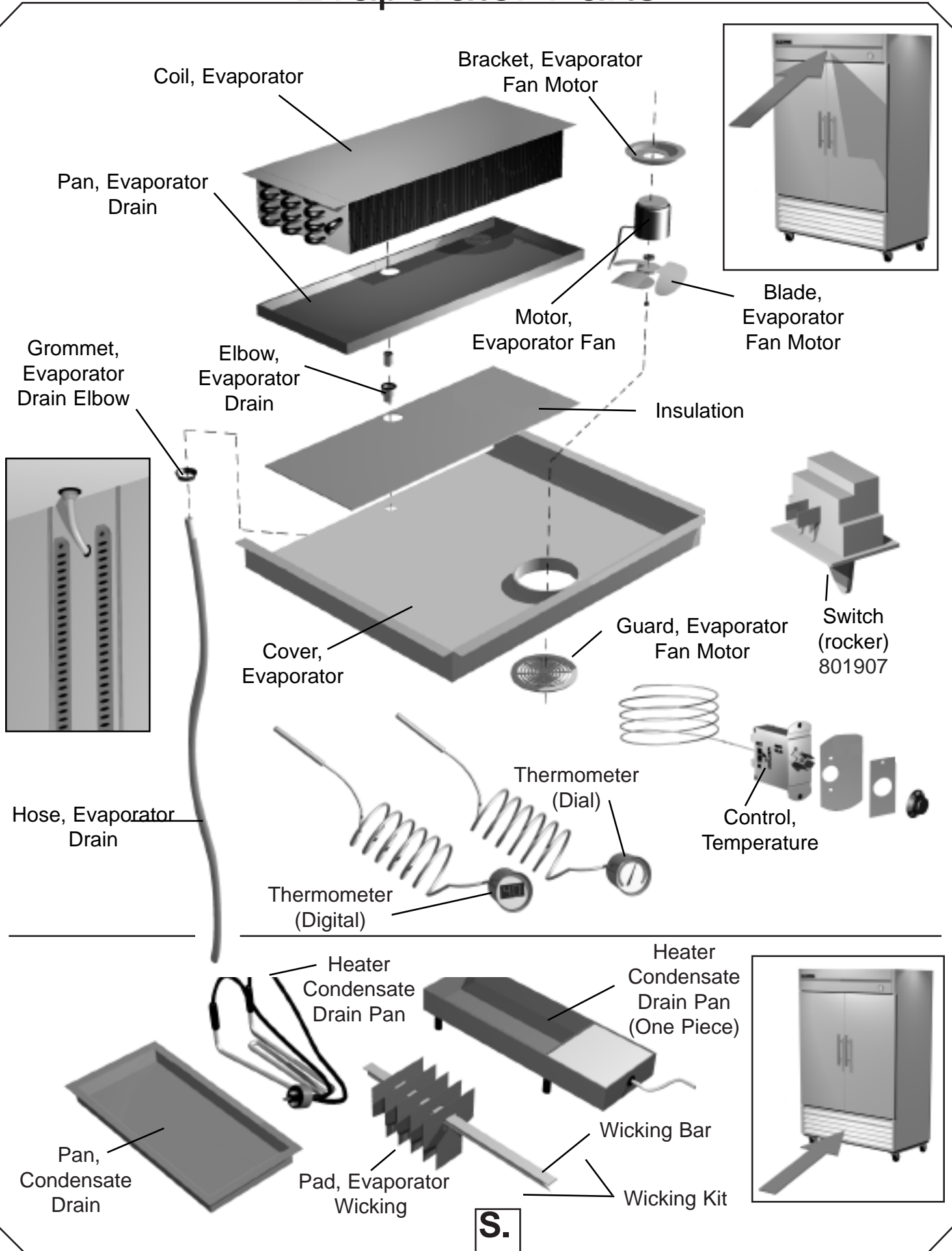
Q.

# Door Locks



Locks (for T Models)  
Cooler & Freezer

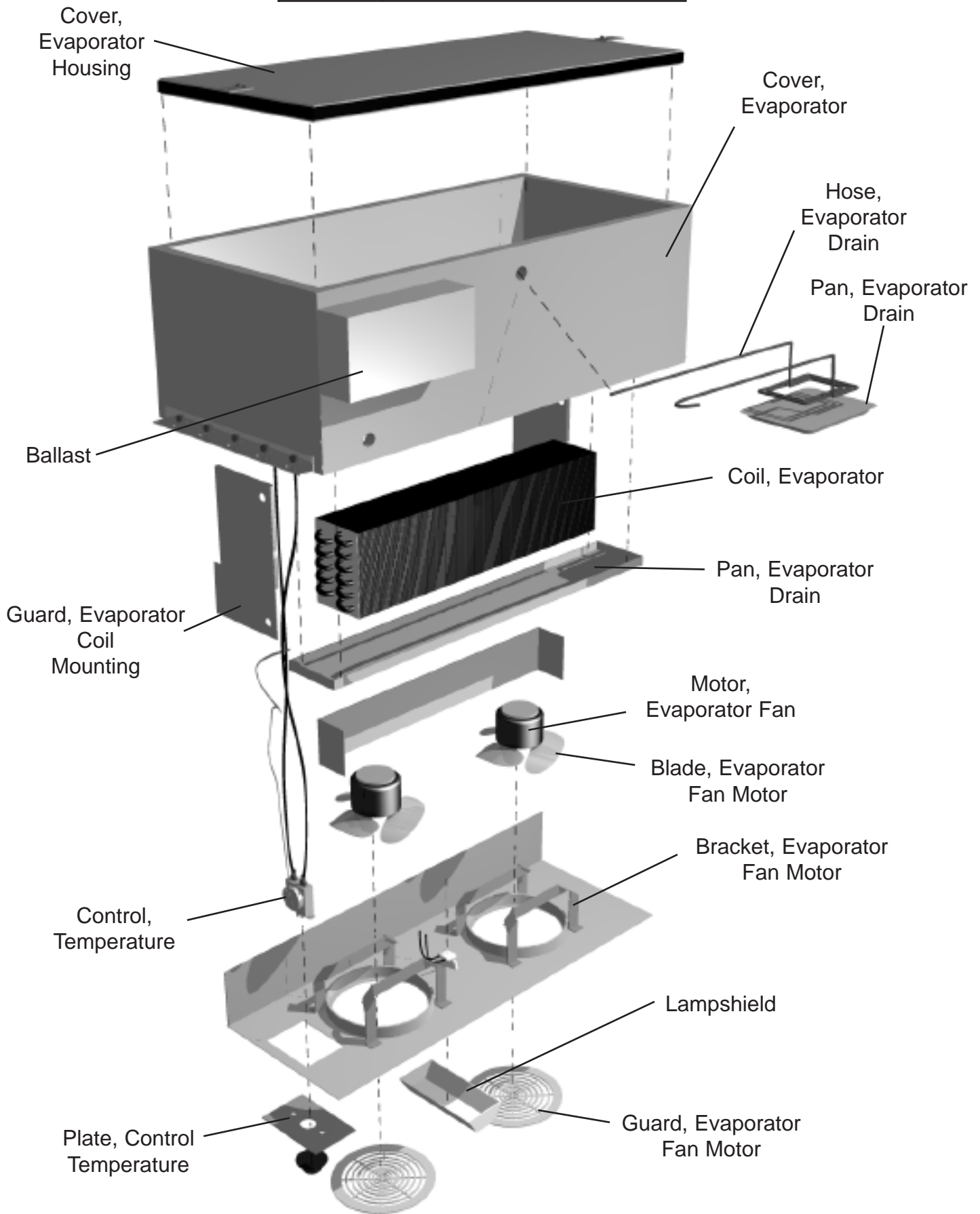
# Evaporator Parts



**S.**

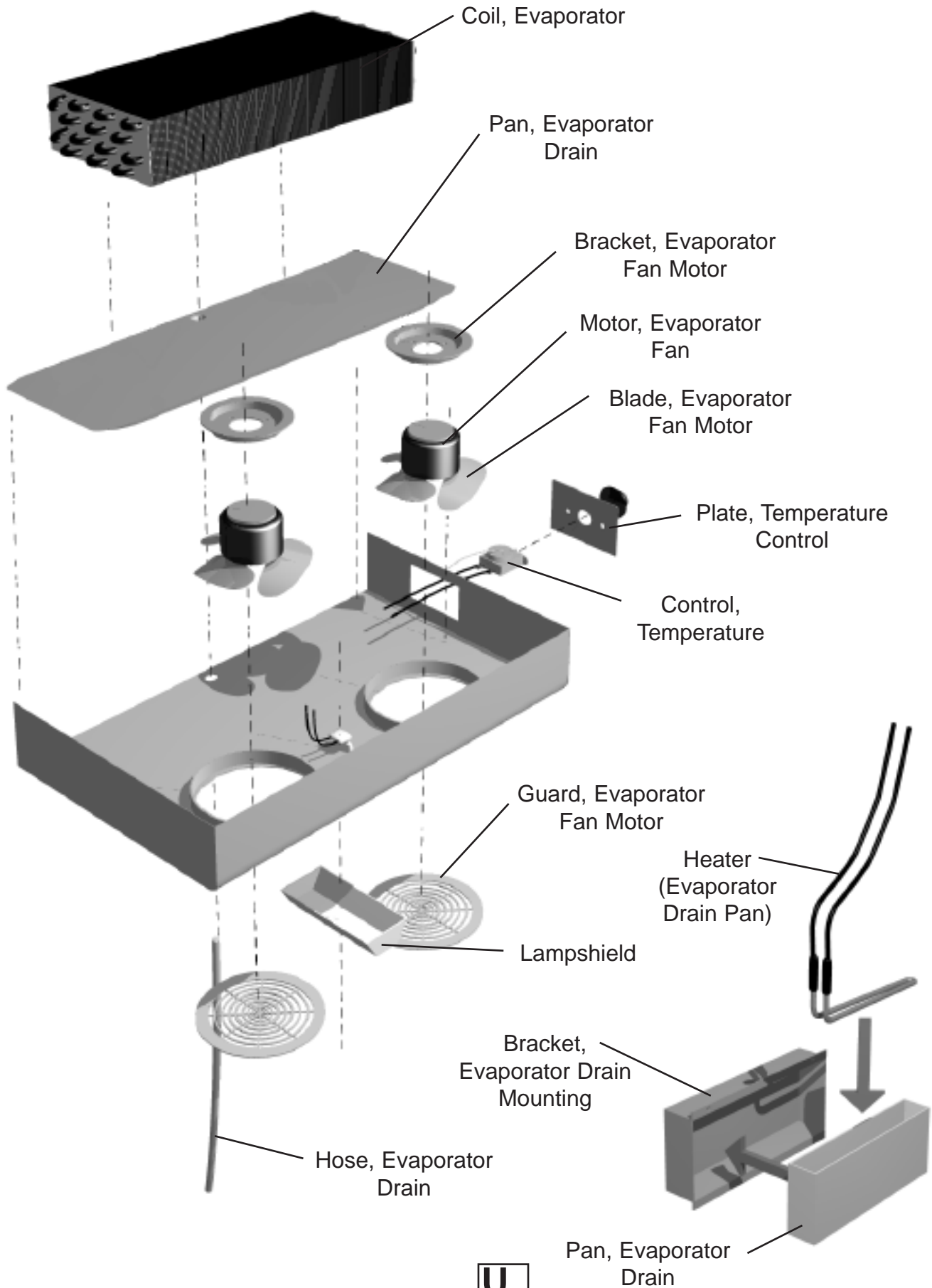
# Evaporator Parts

Top Mount Cooler Models



# Evaporator Parts

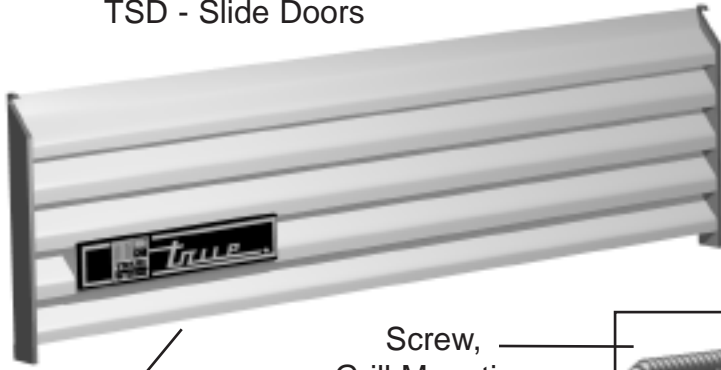
Top Mount Freezer Models





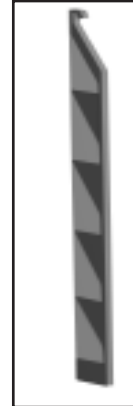
# Grill Parts

TSD - Slide Doors

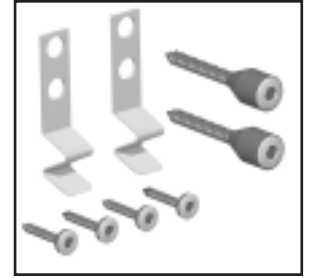


Grill Assembly

Screw,  
Grill Mounting

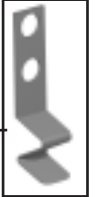


Grill End

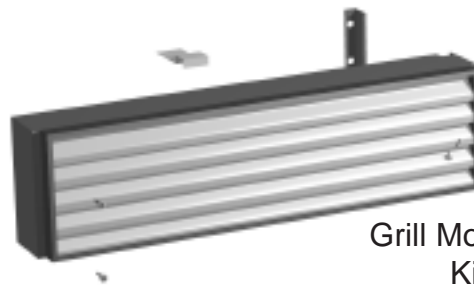
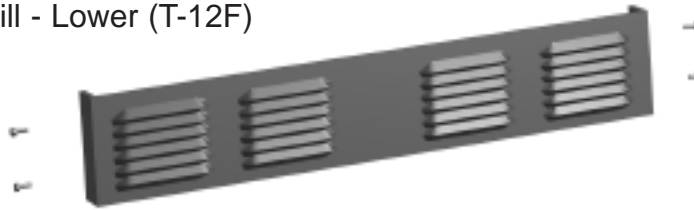


Kit, Grill  
Mounting

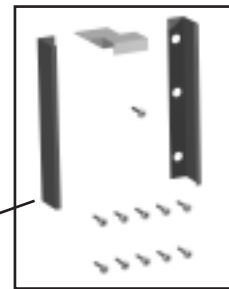
Clip, Grill  
Mounting



Grill - Lower (T-12F)



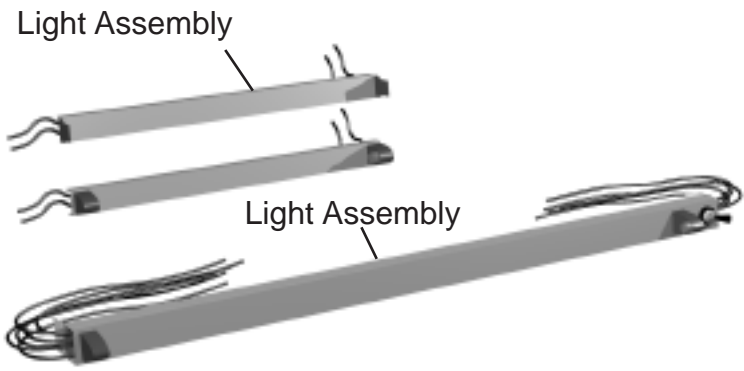
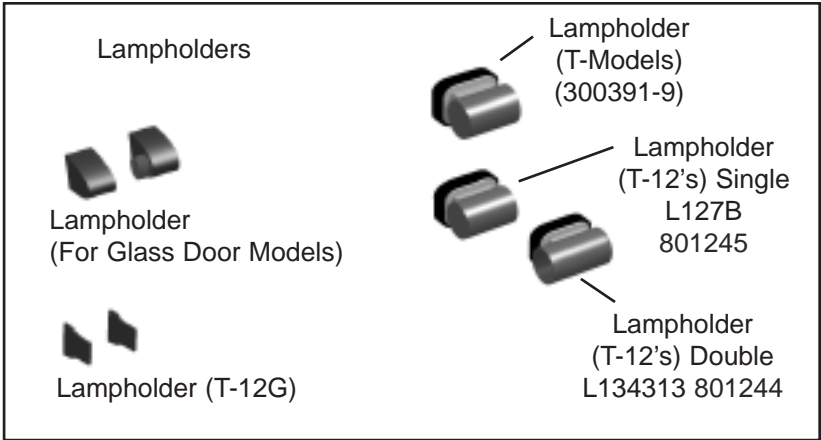
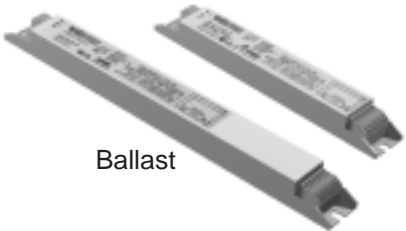
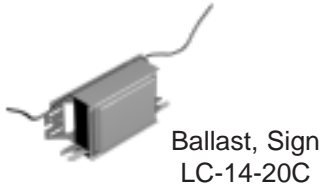
Grill Mounting  
Kit



T-Series Coolers & Freezers

# Lighting Parts

T-TS-TM-TSD Models



# Lighting Parts

T-Series

## Solid Door Cooler & Freezer

T-12 / T-12F  
115V, 208V

All Others  
115V, 208V, 220V

All Others  
220V CE



801266



842058

801267

## Glass Door Cooler

Non IDL T-12G  
115V, 208V

Non-IDL other than T-12G  
115V, 208V

Non-IDL  
220V CE

IDL  
115V, 208V,  
220V, & CE

IDL  
115V, 208V,  
24K Lamps



LR-110  
801222



Springloaded  
13570  
801223



842055



842111



For 24K Lamps  
Top of IDL Door  
#542 (52 3/4" Lead)



For 24K Lamps  
Top of IDL Door  
#542 (52 3/4" Lead)



Stationary  
13571  
801224



Lampholder  
Sleeve  
842201



Bottom of IDL Door  
#542 (4 1/2" Lead)

## Glass Door Freezer

Non IDL  
115V, 208V ,220V

IDL  
115V, 208V ,220V

IDL  
115V, 208V  
220V CE,

IDL



Lampholder  
801250  
Top & Bottom



For VHO Lamps  
Top of IDL Door  
#540 (w/53" Lead)



For 24K Lamps  
Top of IDL Door  
#542 (52 3/4" Lead)

T-5 HO



Bottom of IDL Door  
#541 (5 3/4" Lead)



Bottom of IDL Door  
#542 (4 1/2" Lead)



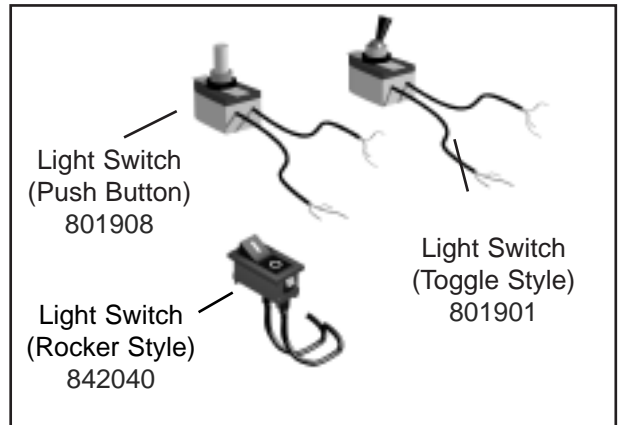
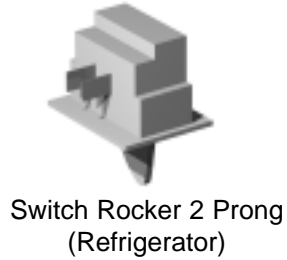
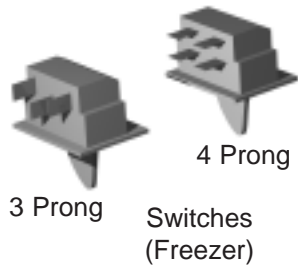
26.641.2002.50  
801300

**W.**

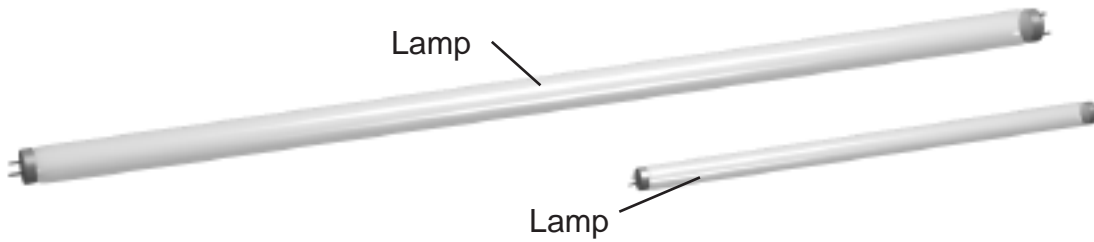
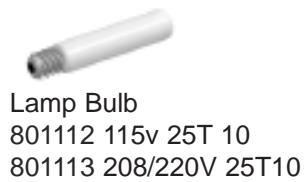
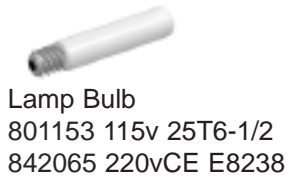
# Lighting Parts

T-TS-TM-TSD Models

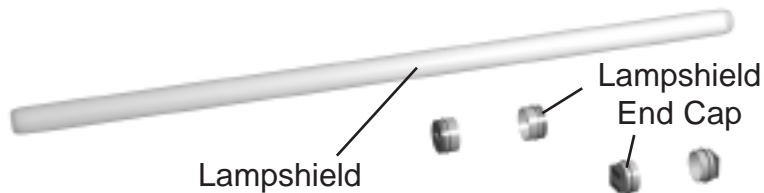
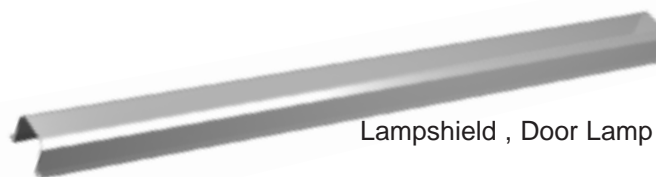
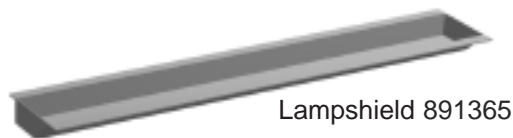
## Switches



## Lamps



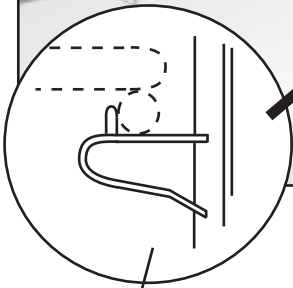
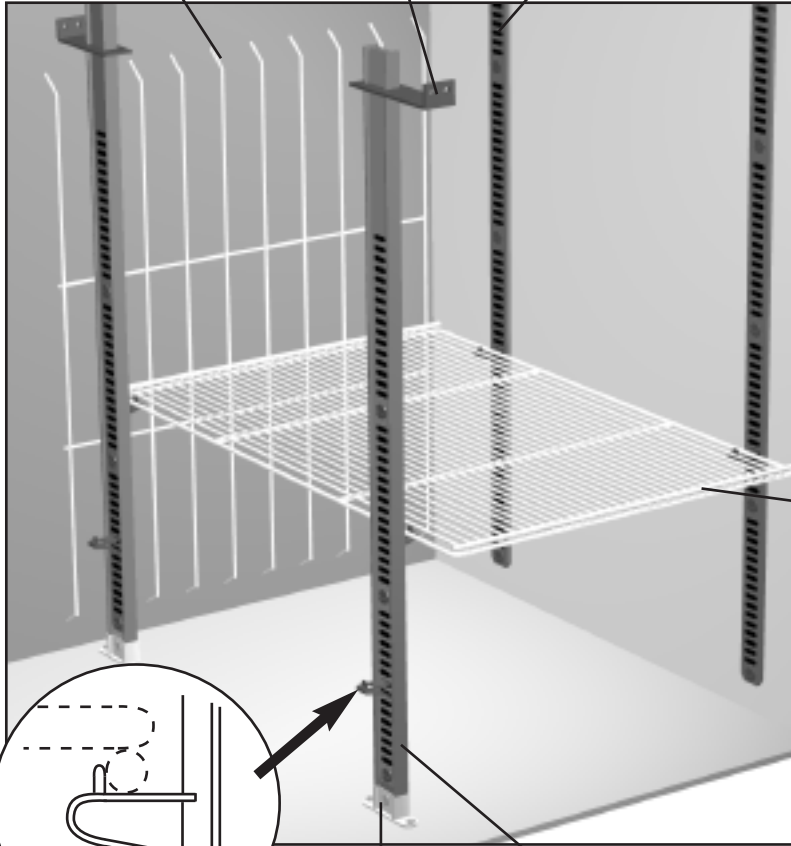
## Lampshields



X.

# Shelf Parts

Backguard  
Bracket, Shelf Standard  
Shelf Standard



Clip, Shelf

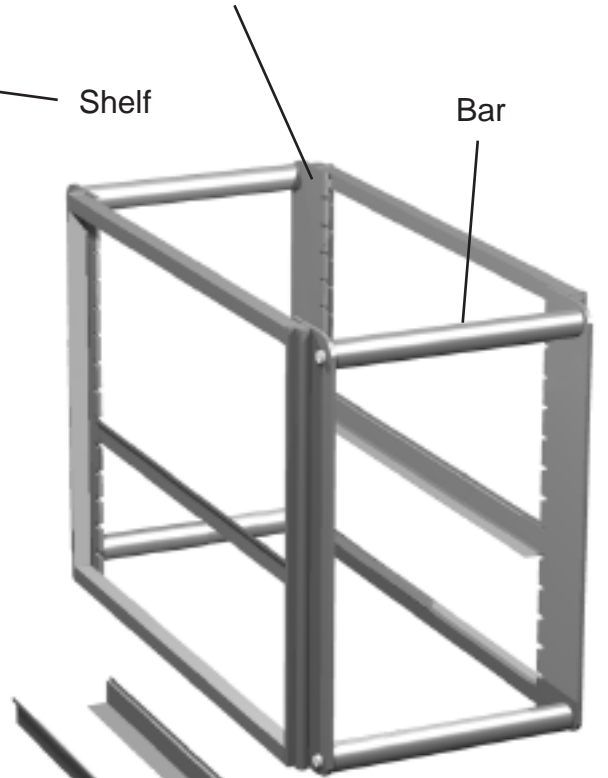
Bracket, Shelf Standard

Shelf Standard (Center)

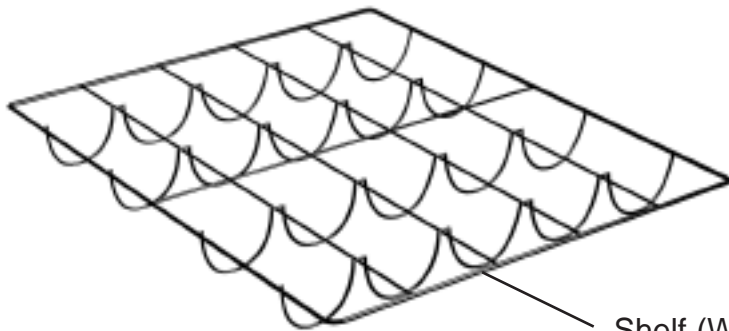
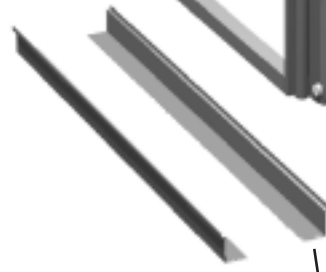
Bun Tray Rack

Shelf

Bar



Slide, Bun Tray



Shelf (Wine Rack Style)

# Sign & Sign Frame Parts

T-Series, TS, TM, & TSD Models

Rainshield

Panel

Frame End Piece

Frame Bottom Piece

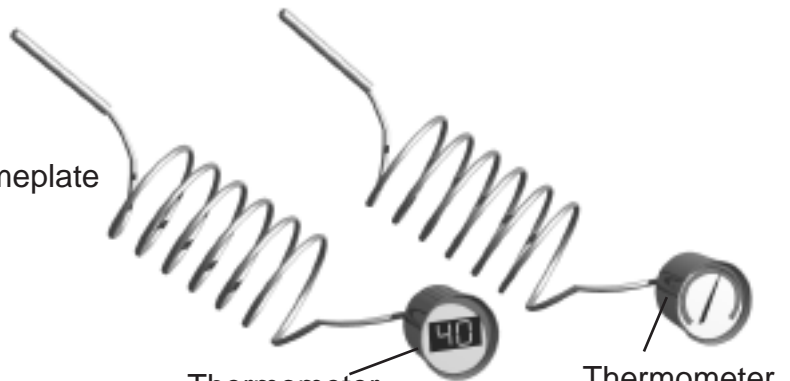
Frame, Assembly

Rainshield

Rainshield for DT models  
(T-23 DT, T-49 DT)



Nameplate



Thermometer  
(Digital)

Thermometer  
(Dial)

Z.