



TRCB-52



TRCB-79



TRCB-110

TRCB Parts Manual

TO PLACE AN ORDER OR OBTAIN INFORMATION:

WEB SITE:

www.truemfg.com (Visit our Parts eStore at: <http://estore.truemfg.com>)
Parts Department e-mail address: parts@truemfg.com

SEND INQUIRIES TO:

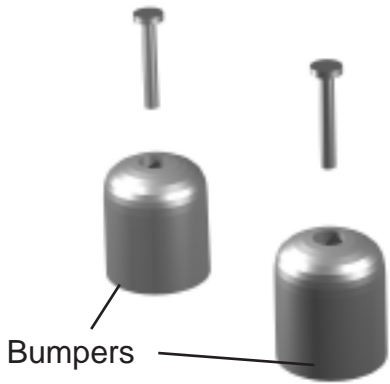
TRUE MANUFACTURING COMPANY, INC. ATTN: PARTS DEPARTMENT
St. Charles Industrial Center • P.O. Box 970 • O'Fallon, Missouri 63366 • U.S.A

CALL TOLL-FREE:

800-424-TRUE (Direct to Parts Department)
or 800-325-6152 (U.S.A & Canada only)
OR CALL: 636-240-2400

FAX: 636-272-9471

Castors, Legs, Levelers & Accessories

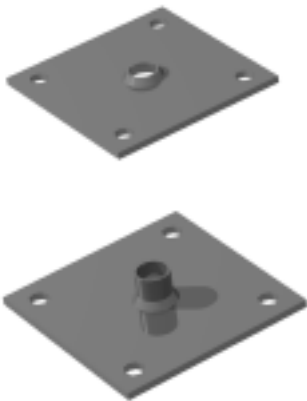


Bumpers

Accessories



Castors, Plate Form



Castor Leg Mounting Plate



Castors (Stemmed) 5"



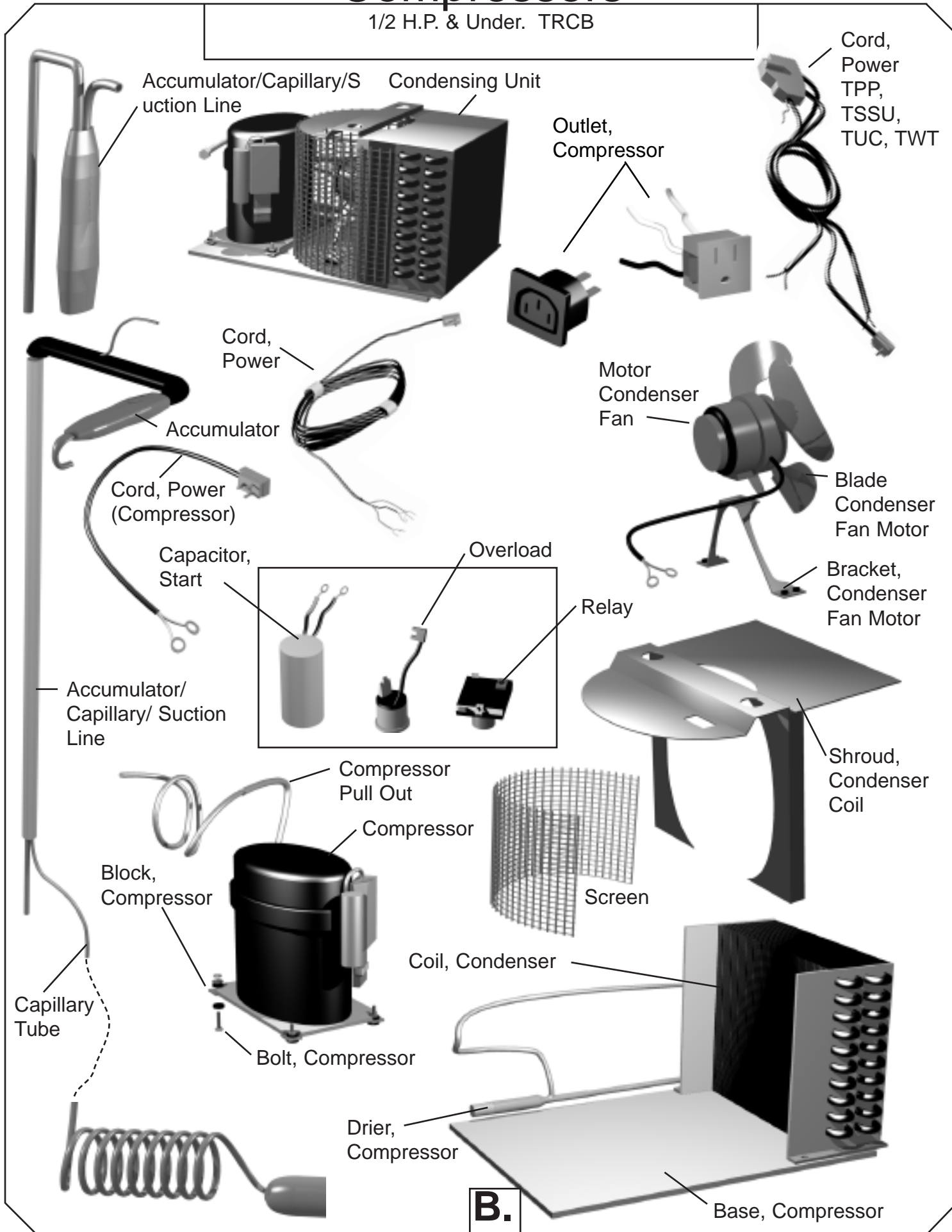
Legs Stemmed Standard



Leg, Seismec

Compressors

1/2 H.P. & Under. TRCB



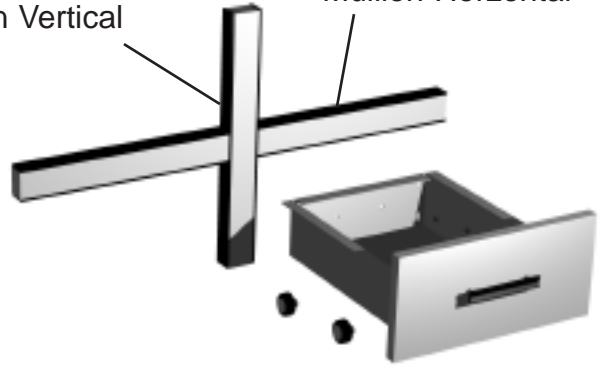
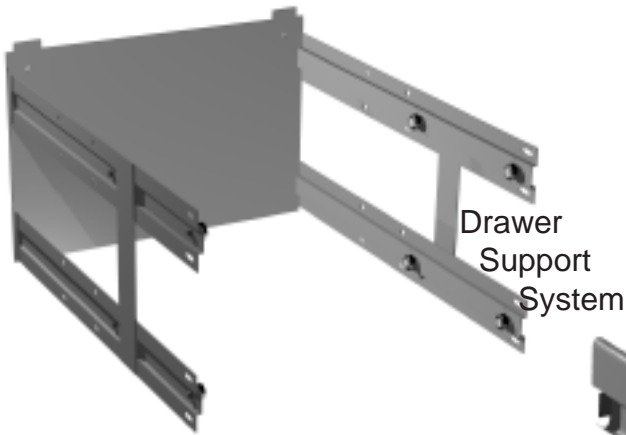
Drawer Parts

All Models

Mullion parts pictured with doors.

Mullion Vertical

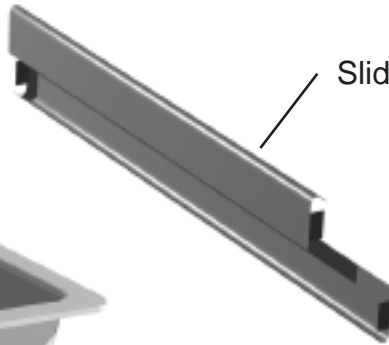
Mullion-Horizontal



Drawer Support System

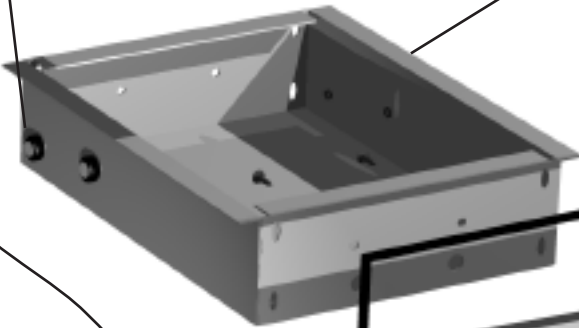
Slide, Drawer

Pan, Drawer

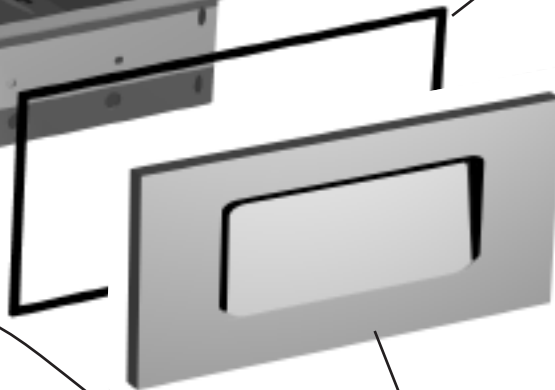


Roller Drawer

Frame, Drawer



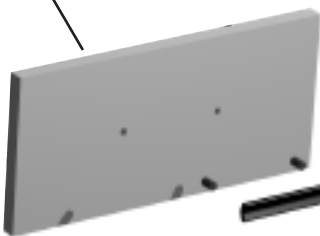
Gasket Drawer



Drawer

Panel, Drawer

Panel Drawer Front Recessed Model

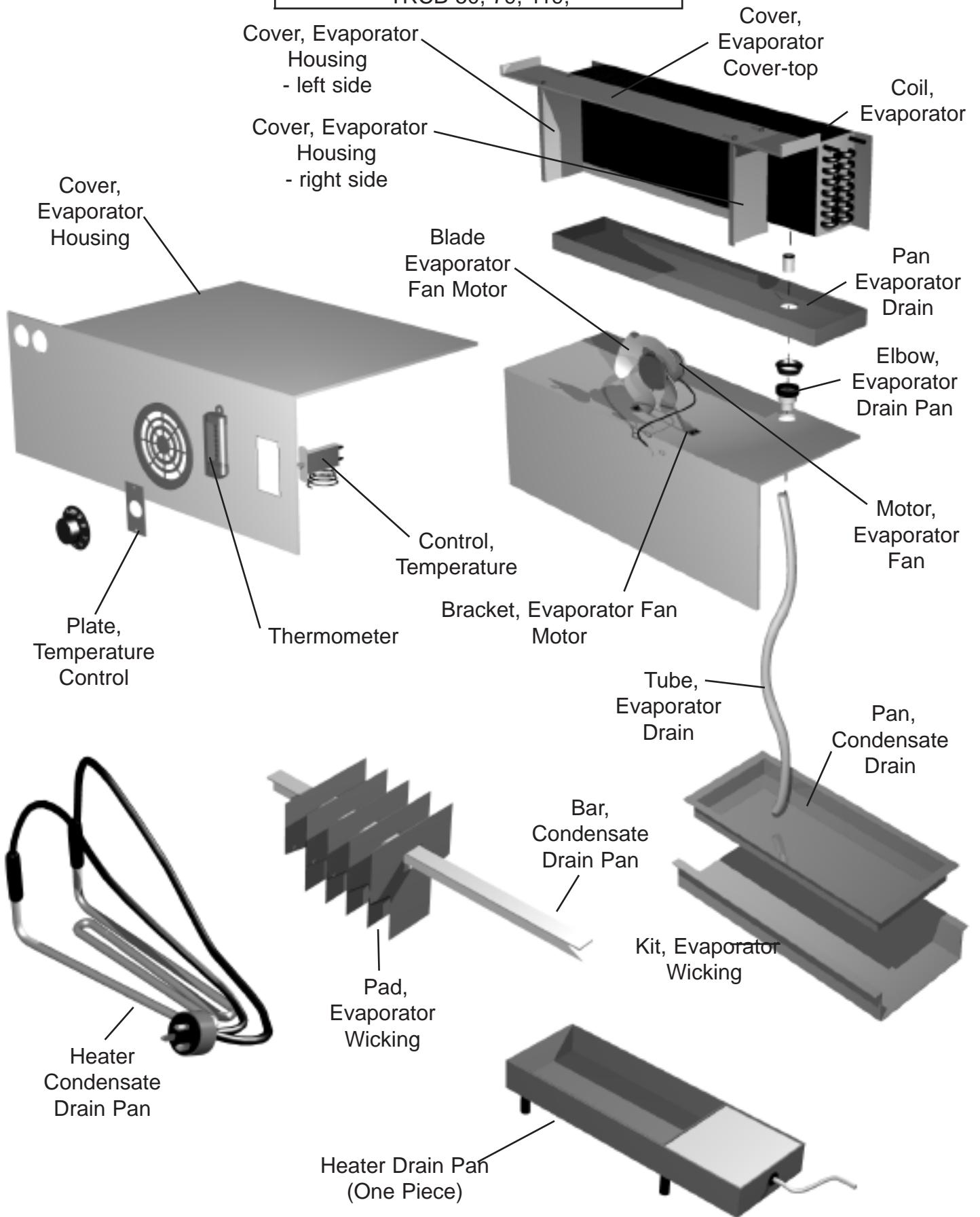


Handle, Drawer



Evaporator Parts

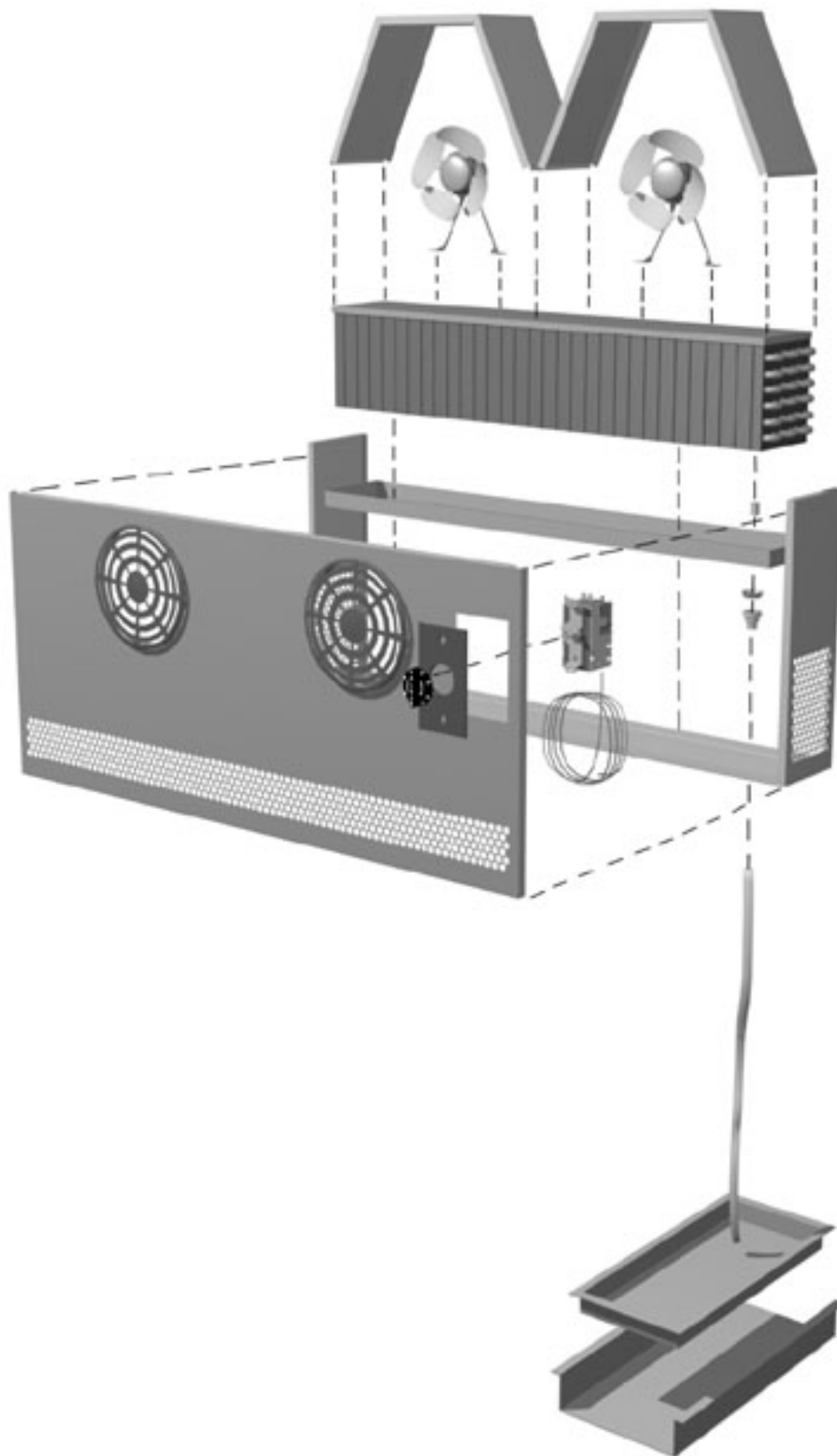
TRCB-50, 79, 119,



D.

Evaporator Parts

TRCB-52



E.