

REFRIGERATOR MANUFACTURER  
**Turbo air**

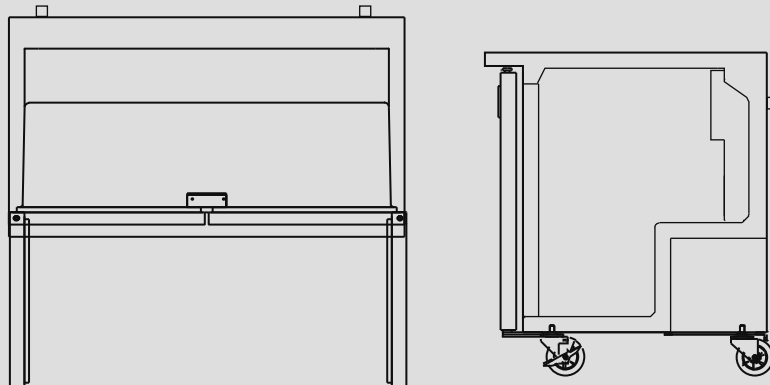
*Turbo Air Speed up the Pace of Innovation*

**CAUTION!**  
PLEASE KEEP POWER  
SWITCH ON BEFORE  
OPERATING THIS EQUIPMENT

# Commercial Undercounter Refrigerator Service Manual

Please read this manual completely before attempting to install or operate this equipment!

MUR-28  
MUR-48  
MUR-60  
MUR-72



[www.turboairinc.com](http://www.turboairinc.com)

# TABLE OF CONTENTS

## 1. EXPLODED VIEW

1-1. MUR-28SD EXPLODED VIEW

1-2. MUR-48SD EXPLODED VIEW

1-3. MUR-60SD EXPLODED VIEW

1-4. MUR-72SD EXPLODED VIEW

## 2. WIRING DIAGRAMS

2-1. TUR-28SD/ TUR-48SD/ TUR-60SD/ TUR-72SD

## 3. MAIN COMPONENTS

## 4. TEMPERATURE CONTROL INSTRUCTION

## 5. PARTS LIST

## 6. REPLACEMENT OF MAIN COMPONENTS

6-1. REPLACING DOOR

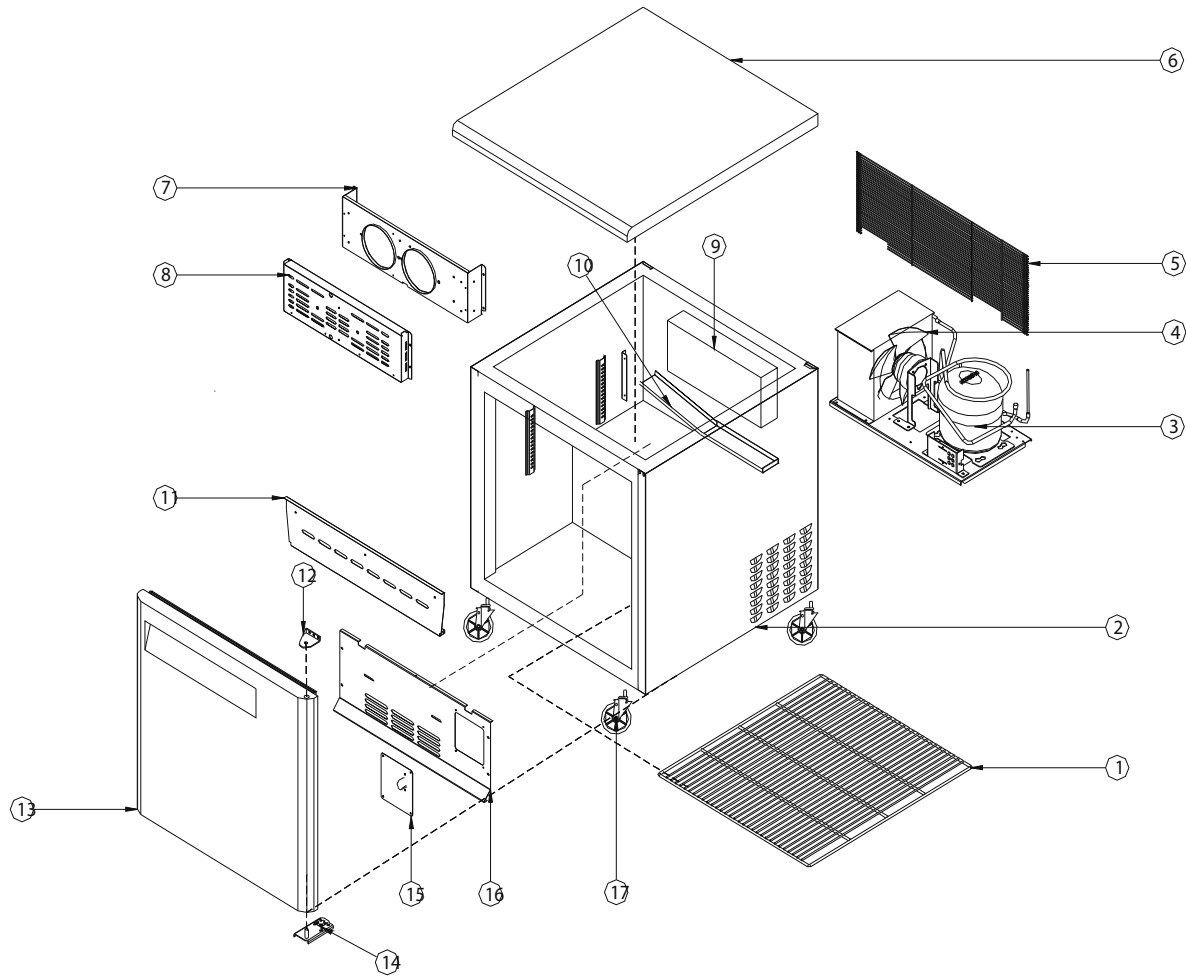
6-2. REFRIGERATION COMPARTMENT PARTS

6-3. COMPRESSOR COMPARTMENT PARTS

6-4. REPLACING THE EVAPORATOR & EVAPORATOR FAN MOTOR

# 1. EXPLODED VIEW

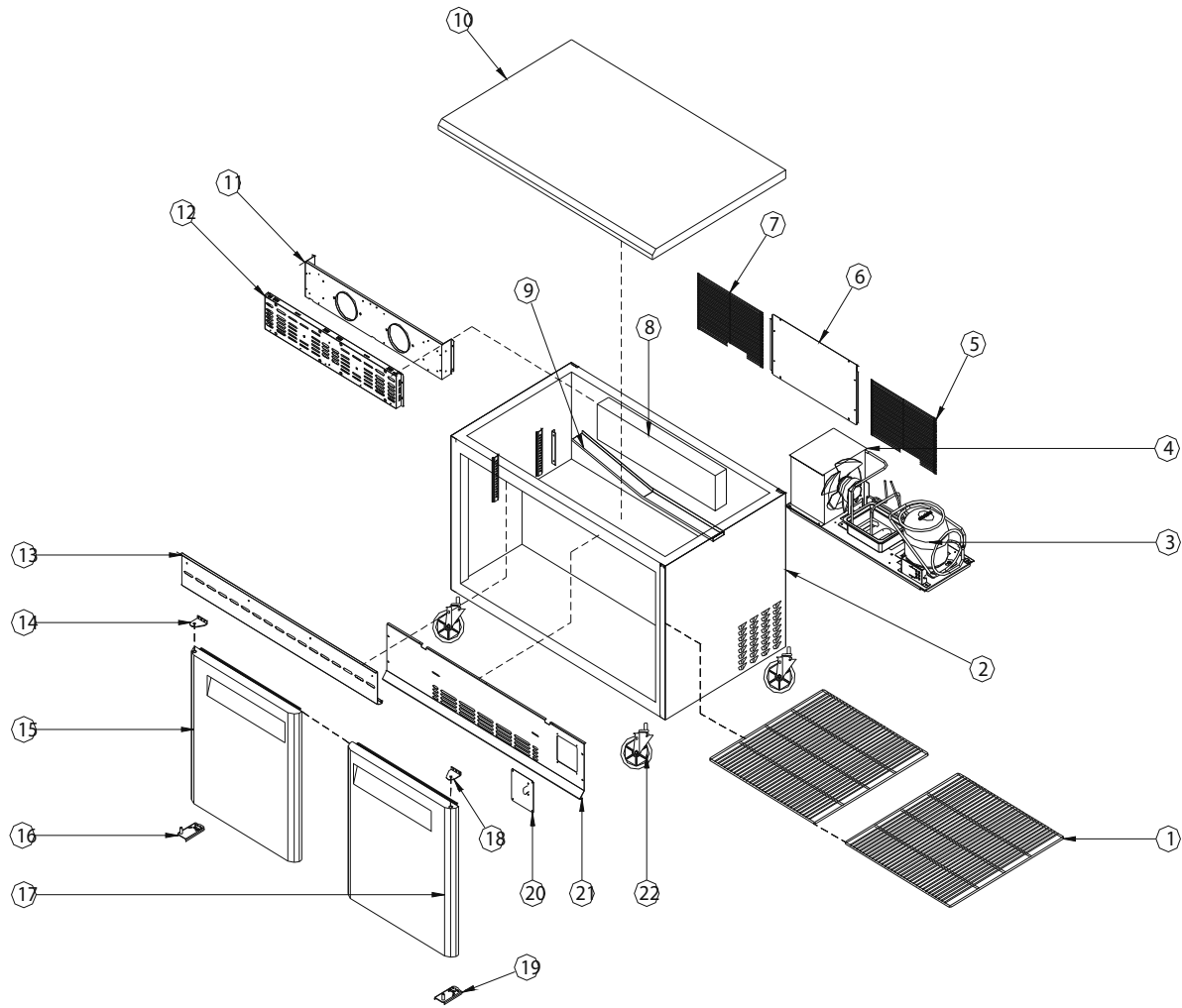
## 1-1. MUR-28 EXPLODED VIEW



© Part Name

1	SHELF	11	PAN DUCT FRONT		
2	CABINET ASSEMBLY	12	TOP HINGE		
3	COMPRESSOR	13	DOOR ASSEMBLY		
4	CONDENSER ASSEMBLY	14	BOTTOM HINGE		
5	MECH COVER	15	TAMPERATURE CONTROL COVER		
6	COUNTER TOP	16	EVAPORATOR DUCT		
7	EVAPORATOR FAN DUCT	17	CASTER		
8	LOUVE	18			
9	EVAPORATOR ASSEMBLY	19			
10	EVAPORATOR DRAIN GUIDE	20			

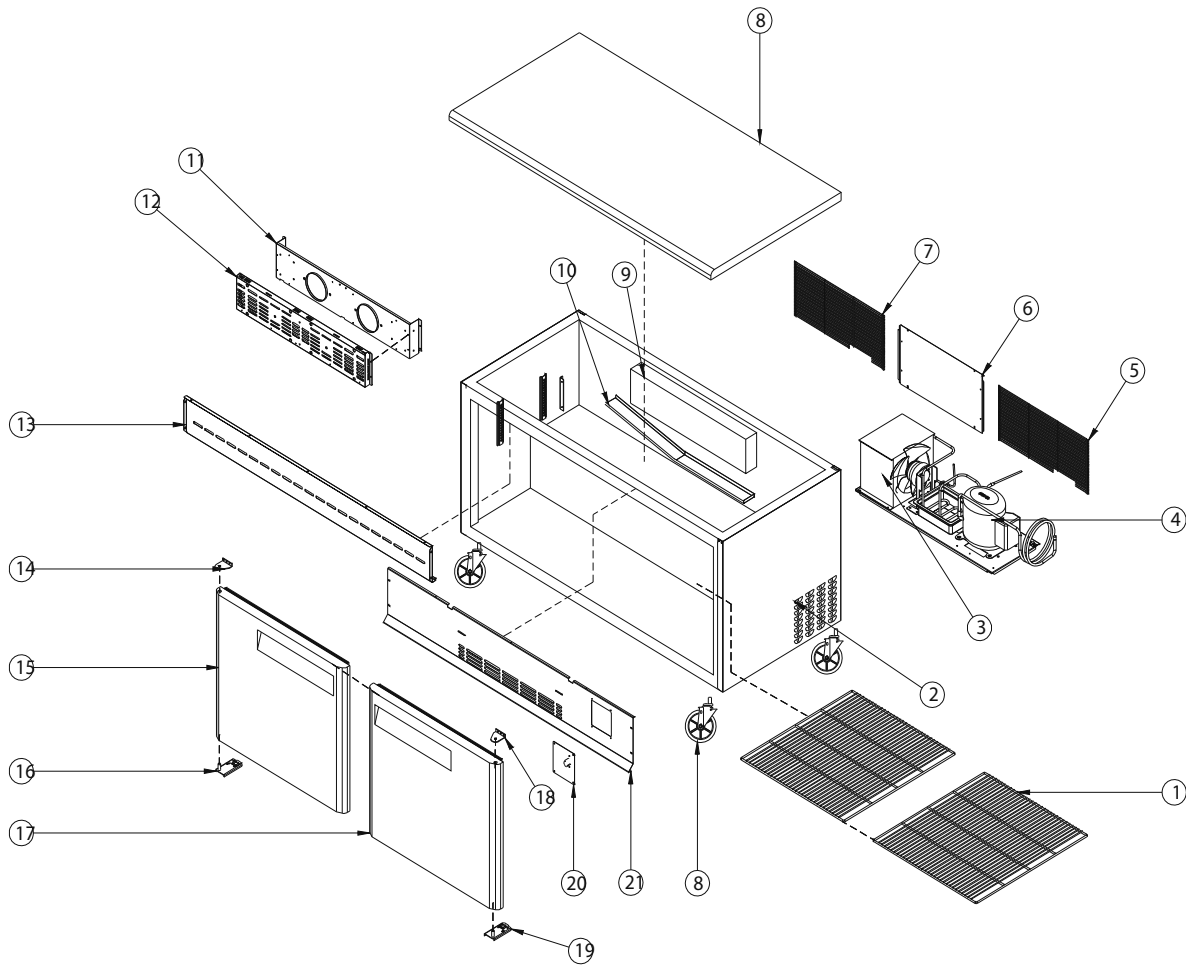
1-2. MUR-48 EXPLODED VIEW



© Part Name

1	SHELF	13	PAN DUCT FRONT		
2	CABINET ASSEMBLY	14	TOP HINGE(LF)		
3	COMPRESSOR	15	DOOR ASSEMBLY(LF)		
4	CONDENSER ASSEMBLY	16	BOTTOM HINGE(LF)		
5	MECH COVER(RH)	17	DOOR ASSEMBLY(RH)		
6	UNIT COVER	18	TOP HINGE(RH)		
7	MECH COVER(LF)	19	BOTTOM HINGE(RH)		
8	EVAPORATOR ASSEMBLY	20	TAMPERATURE CONTROL COVE		
9	EVAPORATOR DRAIN GUI	21	EVAPORATOR DUCT		
10	COUNTER TOP ASSEMBLY	22	CASTER		
11	EVAPORATOR FAN DUCT	23			
12	LOUVER	24			

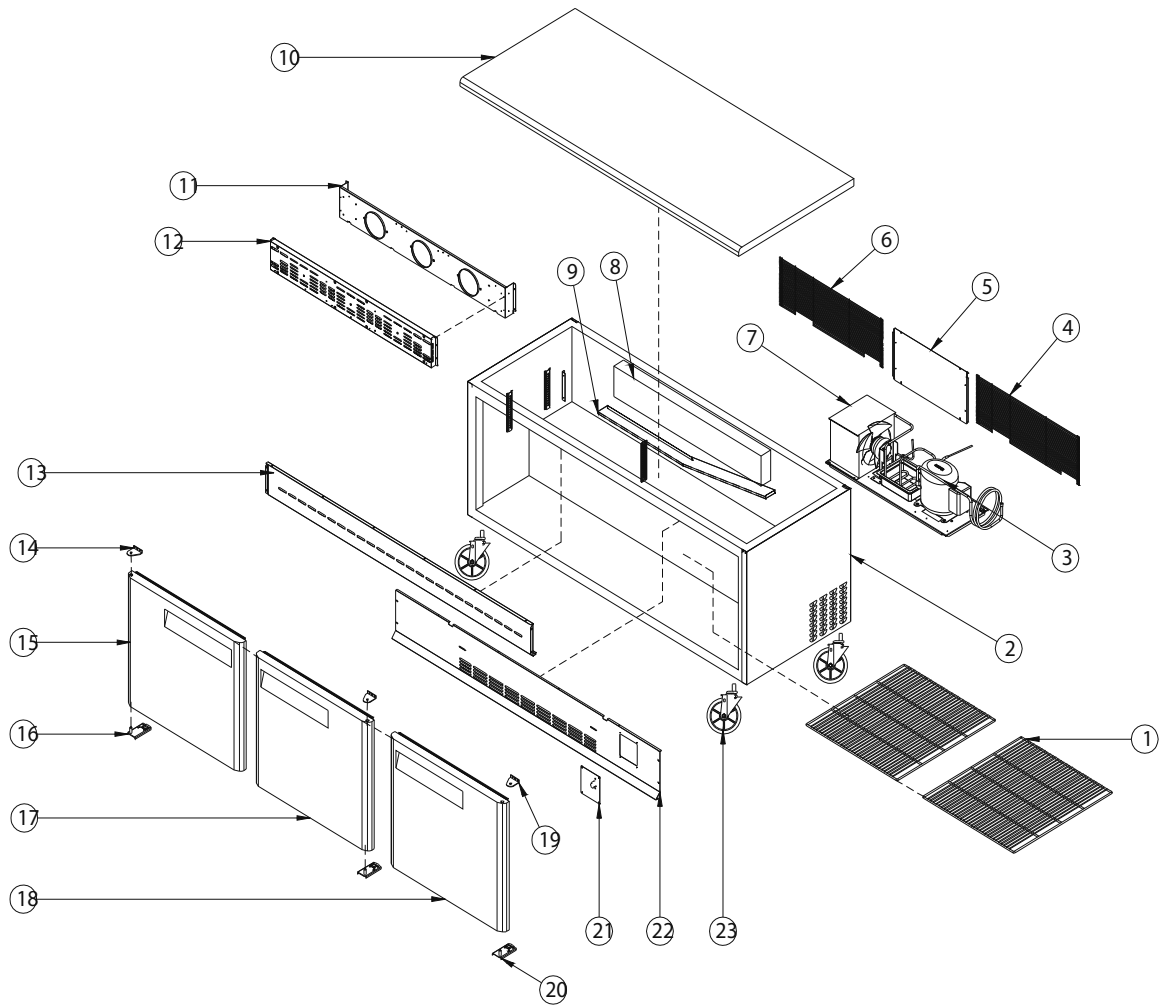
1-3. MUR-60 EXPLODED VIEW



© Part Name

1	SHELF	14	TOP HINGE(LF)	27	
2	CABINET ASSEMBLY	15	DOOR ASSEMBLY(LF)	28	
3	CONDENSER ASSEMBLY	16	BOTTOM HINGE(LF)	29	
4	COMPRESSOR	17	DOOR ASSEMBLY(RH)	30	
5	MECH COVER(RH)	18	TOP HINGE(RH)		
6	UNIT COVER	19	BOTTOM HINGE(RH)		
7	MECH COVER(LF)	20	TAMPERATURE CONTROL COVER		
8	COUNTER TOP ASSEMBLY	21	EVAPORATOR DUCT		
9	EVAPORATOR ASSEMBLY	22	CASTER		
10	EVAPORATOR DRAIN GUID	23			
11	EVAPORATOR FAN DUCT	24			
12	LOUVER	25			
13	PAN DUCT FRONT	26			

1-4. MUR-72 EXPLODED VIEW

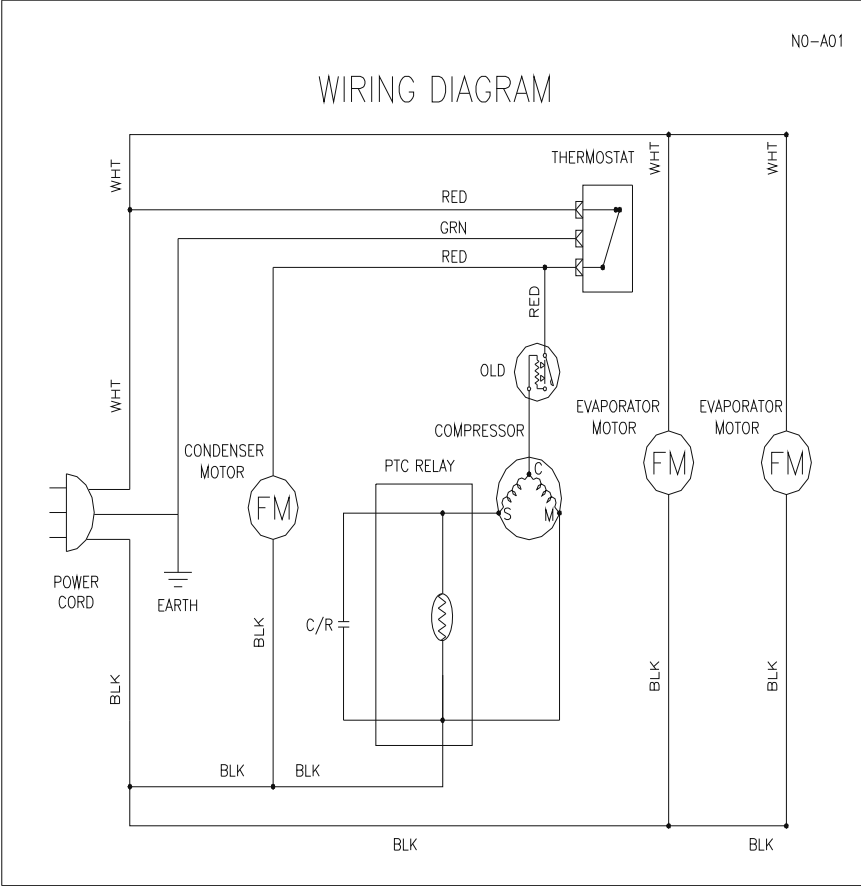


© Part Name

1	SHELF	14	TOP HINGE(LF)	27	
2	CABINET ASSEMBLY	15	DOOR ASSEMBLY(LF)	28	
3	COMPRESSOR	16	BOTTOM HINGE(LF)	29	
4	MECH COVER(RH)	17	DOOR ASSEMBLY(MID)	30	
5	UNIT COVER	18	DOOR ASSEMBLY(RH)	31	
6	MECH COVER(LF)	19	TOP HINGE(RH)	32	
7	CONDENSER ASSEMBLY	20	BOTTOM HINGE(RH)	33	
8	EVAPORATOR ASSEMBLY	21	TAMPERATURE CONTROL COVER	34	
9	EVAPORATOR DRAIN GUIDE	22	EVAPORATOR DUCT		
10	COUNTER TOP ASSEMBLY	23	CASTER		
11	EVAPORATOR FAN DUCT	24			
12	LOUVER	25			
13	PAN DUCT FRONT	26			

# 2. WIRING DIAGRAMS

2-1. MUR-28 /MUR-48SD / MUR-60 / MUR-72



### 3.MAIN COMPONENTS

#### 1.COMPRESSOR

MODEL	PART NAME	PART NO.	HORSE	CAPACITY	TYPE OF	INPUT	MAKER
MUR-28	HBL-27YE-1	M369700100	1/4HP	~	CSIR	110-115V 60Hz	DAEWOO
MUR-48	SK1A1C-L2W	M609700100	1/4HP	~	CSIR	115V 60Hz	SAMSUNG
MUR-60	SK1A1C-L2W	M609700100	1/3HP	~	CSIR	115V 60Hz	SAMSUNG
MUR-72	SK1A1C-L2W	M609700100	1/3HP	~	CSIR	115V 60Hz	SAMSUNG

#### 2.COMPRESSOR RELAY ,OVERLOAD

MODEL	RELAY	OVERLOAD	MAKER	NOTE
MUR-28	GSR SO68 E03 03	783RHBZZ-52	DAEWOO	~
MUR-48	J531Q34E220M3503	795TFBZZ-53	SAMSUNG	~
MUR-60	J531Q34E220M3503	795TFBZZ-53	SAMSUNG	~
MUR-72	J531Q34E220M3503	795TFBZZ-53	SAMSUNG	~

#### 3.COMPRESSOR CAPACITOR

MODEL	STARTING	PART NO.	RUNNING	PART NO.	MAKER	NOTE
MUR-28	200V/100uF	~	230V/10uF	~	~	~
MUR-48	125V/125uF	~	250V/12uF	~	~	~
MUR-60	125V/125uF	~	250V/12uF	~	~	~
MUR-72	125V/125uF	~	250V/12uF	~	~	~

#### 4.CONDENSER FAN MOTOR

MODEL	PART NAME	PART NO.	INPUT	TYPE	BLADE	MAKER
MUR-28	IS-4420DWSN-2A	3963328120	15V, 60Hz	SHADED POLE INDUCTION	AL 5	SUNGSHIN
MUR-48	IS-4420DWSN-2A	3963328120				
MUR-60	IS-4420DWSN-2A	3963328120				
MUR-72	IS-4420DWSN-2A	3963328120				

#### 5.EVAPORATOR FAN MOTOR

MODEL	PART NAME	PART NO.	POLE	INPUT	TYPE	BLADE (NUMBER)	NO
MUR-28	DAI-6202DEUA	M729900200	2P	115V,60Hz	SHADED POLE INDUCTION	ZYTEL 4	SUNGSHIN
MUR-48	DAI-6202DEUA						
MUR-60	DAI-6202DEUA						
MUR-72	DAI-6202DEUA						

#### 6.THERMOSTAT

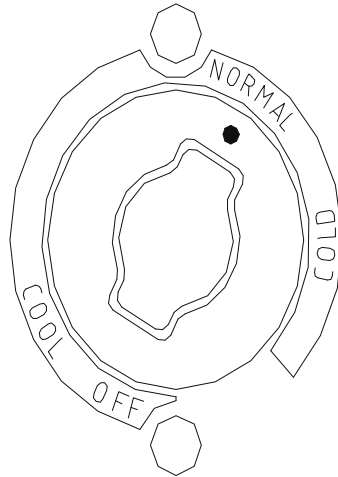
PART NAME	PART NO.	RATING	MAKER
THERMOSTAT	30283L0100	K55Q-5607,16A	RANCO
		MUR-28,MUR-48	
		MUR-6,MUR-72	



## 4. TEMPERATURE CONTROL INSTRUCTION

- Temperature can be controlled by the user.
- Factory setting is at "NORMAL" Settings can be changed by Dial Knob.

⊙ Indicates temperature level setting.



TEMPERATURE  
CONTROLLER

- *If thermostat knob is pointing at OFF, compressor and condenser fan motor would not run.*
- *Keep unit unplugged, if not in use for a long period of time.*

## 5. PARTS LIST

Part Name	Part Code	Description	Model				Remark
			28	48	60	72	
1. DOOR							
DOOR ASSEMBLY (L)	WM61700200				1		
DOOR ASSEMBLY (L)	WM71700200			1		1	
DOOR ASSEMBLY (M)	WM71700300					1	
DOOR ASSEMBLY (R)	WM20000900		1				
DOOR ASSEMBLY (R)	WM61700100				1		
DOOR ASSEMBLY (R)	WM71700100			1		1	
DOOR BUSHING	M720700100	PA-66	2	4	4	6	
DOOR GASKET	M272300100	PVC	1				
DOOR GASKET	M602300100	PVC			2		
DOOR GASKET	M722300100	PVC		2		3	
TOP HINGE ( R )	M722900100	SUS304,SM45C	1	1	1	2	
TOP HINGE ( L )	M722900200	SUS304,SM45C		1	1	1	
TOP HINGE SPACER	M725000100	SUS439-2B	1	2	2	3	
BOTTOM HINGE (U)(R)	30229M0400	SUS304,SM45C	1	1	1	2	
BOTTOM HINGE (U)(L)	30229M0300	SUS304,SM45C		1	1	1	
SPRING BAR			1	2	2	3	
2. COUNTER TOP							
COUNTER TOP ASSEMBLY	U279500100		1				
COUNTER TOP ASSEMBLY	U489500100			1			
COUNTER TOP ASSEMBLY	U609500100				1		
COUNTER TOP ASSEMBLY	U729500100					1	
CASTER	M726500100	5' MOVING	2	2	2	2	
CASTER	M726500200	5' MOVING STOPPING	2	2	2	2	
3. COMPRESSOR COMPARTMENT							
COMPRESSOR	M369700100	HBL-27YE-1 (1/4HP)	1				
COMPRESSOR	M609700100	SK1A1C-L2W (1/3HP)		1	1	1	
SUCTION PIPE(B)	M364400200	CU	1				
SUCTION PIPE(B)	M604400200	CU		1			
SUCTION PIPE(B)	M604400800	CU			1		
SUCTION PIPE(B)	U724400200	CU				1	
SUCTION PIPE(A)	M274400100	CU	1				
SUCTION PIPE(B)	M604400200	CU		1			
SUCTION PIPE(B)	M604400800	CU			1		
SUCTION PIPE(B)	U724400200	CU				1	
SUCTION PIPE(A)	M274400100	CU	1				
SUCTION PIPE(A)	M604400400	CU		1	1		
SUCTION PIPE(A)	U724400100	CU				1	
COMP BASE	M270300100	GI	1				
COMP BASE	M600300100	GI		1	1	1	

Part Name	Part Code	Description	Model				Remark
			28	48	60	72	
CONDENSER FAN MOTOR	3963328120	IS-4420DWSN-2A	1	1	1	2	
POWER CORD	M721300100	KKP-30(9.85FT)	1	1	1	1	
CONDENSER FAN AIR GUIDE	M722500900	GI				1	
DRAIN PAN	30211A0200	PP	1				
DRAIN PAN	M729300100	PP		1	1	1	
DRAIN PIPE	M484400100	Φ8X0.8T		1	1	1	
CONDENSER MOTOR BRACK	3020602200	GI	1	1	1	2	
CONDENSER FAN BLADE	M729800100	AL	1	1	1	2	

Part Name	Part Code	Description	Model				Remark
			28	48	60	72	
<b>4. REFRIGERATION COMPARTMENT</b>							
LOUVER	M275800100	SUS439-2B	1				
LOUVER	M485800100	SUS439-2B		1			
LOUVER	M605800100	SUS439-2B			1		
LOUVER	M725800100	SUS439-2B				1	
SHELF	M277800100	STS304	1				
SHELF	M607800100	STS304			2		
SHELF	M727800100	STS304		2		2	
SHELF MID	M727800300	STS304				1	
FIXTURE SHELF CLIP	30220L0900	PA-66	4	8	8	12	
SHELF MID BRACKET	M720600100	SUS304	2	1	1		
SHELF STANDARD	M725300200	SUS304	4	8	8	12	
DRAIN PAN GUIDE(R)	M272500100	GI	1				
DRAIN PAN GUIDE(L)	M272500200	GI	1				
EVAPORATOR AS	M367000100	CU, SPG, AL	1				
EVAPORATOR AS	M487000200	CU, SPG, AL		1	1	1	
THERMOSTAT	30283L0100	250V, 16A K55Q -5607	1	1	1	1	
EVAPOVATOR FAN DUCT	M276900200	SUS439-2B	1				
EVAPOVATOR FAN DUCT	M486900200	SUS439-2B		1			
EVAPOVATOR FAN DUCT	M606900200	SUS439-2B			1		
EVAPOVATOR FAN DUCT	M726900200	SUS439-2B				1	
EVAPOVATOR DUCT	M276900300	SUS439-2B	1				
EVAPOVATOR DUCT	M486900300	SUS439-2B		1			
EVAPOVATOR DUCT	M606900300	SUS439-2B			1		
EVAPOVATOR DUCT	M726900300	SUS439-2B				1	
FIXTURE EVAP DUCT BRACKET	M720601000	SUS439-2B	2	2	2	2	
MULLION FRAME	M722200400	PVC		1	1	2	
MULLION BACK FRAME	M722200200	SUS304-2B		1	1	2	
MULLION FRAME INSULATION	M723300100	F-PS		1	1	2	
CONDENSER AS	M365900100	CU, SPG, AL	1				
CONDENSER AS	M605900100	CU, SPG, AL		1	1	1	
BRACKET MOTOR	30220T0300	SUS304	2	2	2	3	
FAN COOLING BLADE	3011802210	ZYTEL	1	1	1	1	
EVAP FAN MOTOR	CM25000100	IS-3220QTBD	2	2	2	2	

## 6. REPLACEMENT OF MAIN COMPONENTS

### 6-1. REPLACING DOOR

A. Unscrew the top hinge

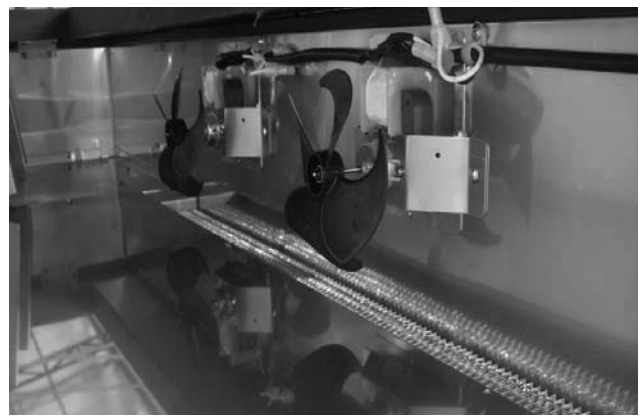


B. Lift the door

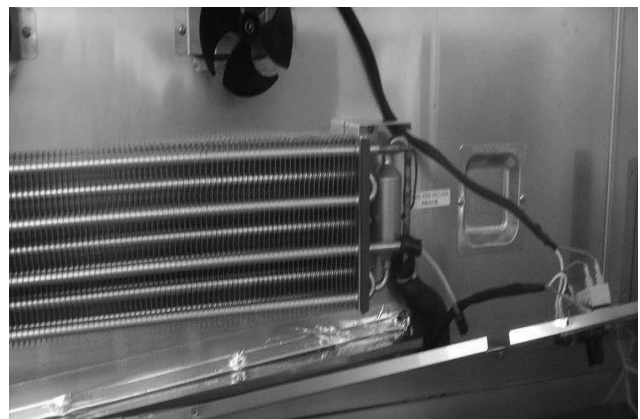


### 6-2. REFRIGERATION COMPARTMENT PARTS

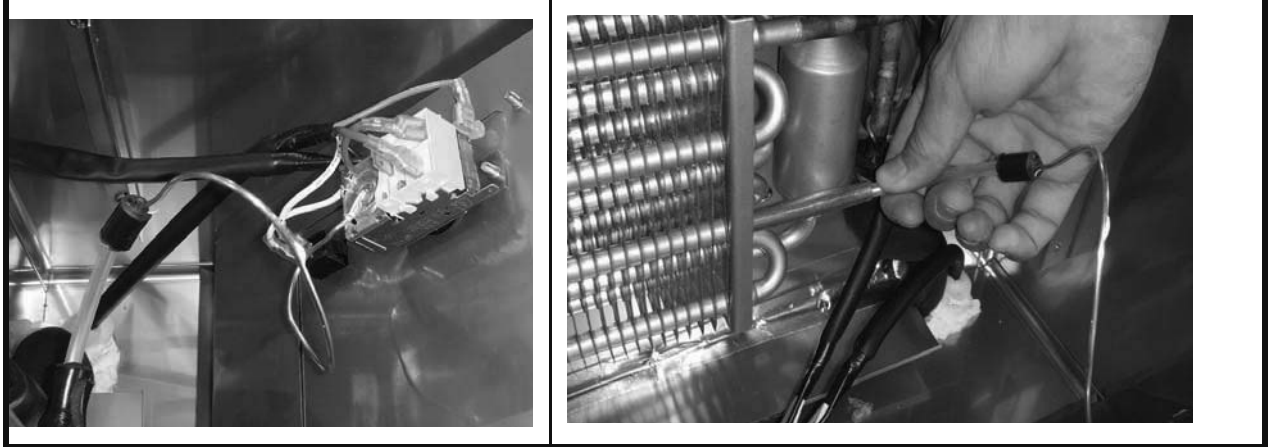
A. Disassemble the evaporator fan duct assembly



B. Disassemble the evaporator duct

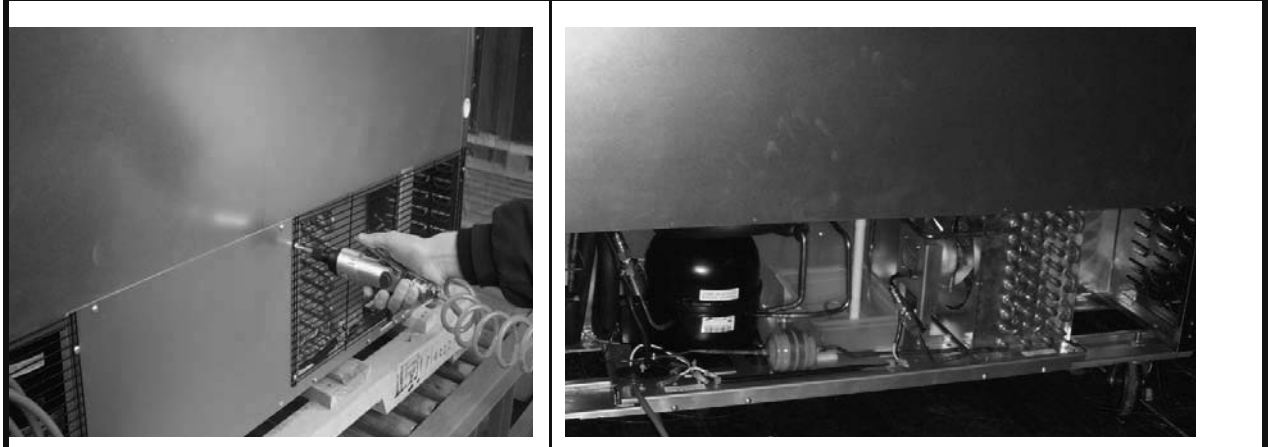


C.Remove the temperature & sensor



6-3. COMPRESSOR COMPARTMENT PARTS

A.Disassembly the rear grill



B.Disassembly the condensing unit



#### 6-4. REPLACING THE EVAPORATOR & EVAPORATOR FAN MOTOR

A.Remove the evaporator coil



B.Remove the evaporator fan motor

