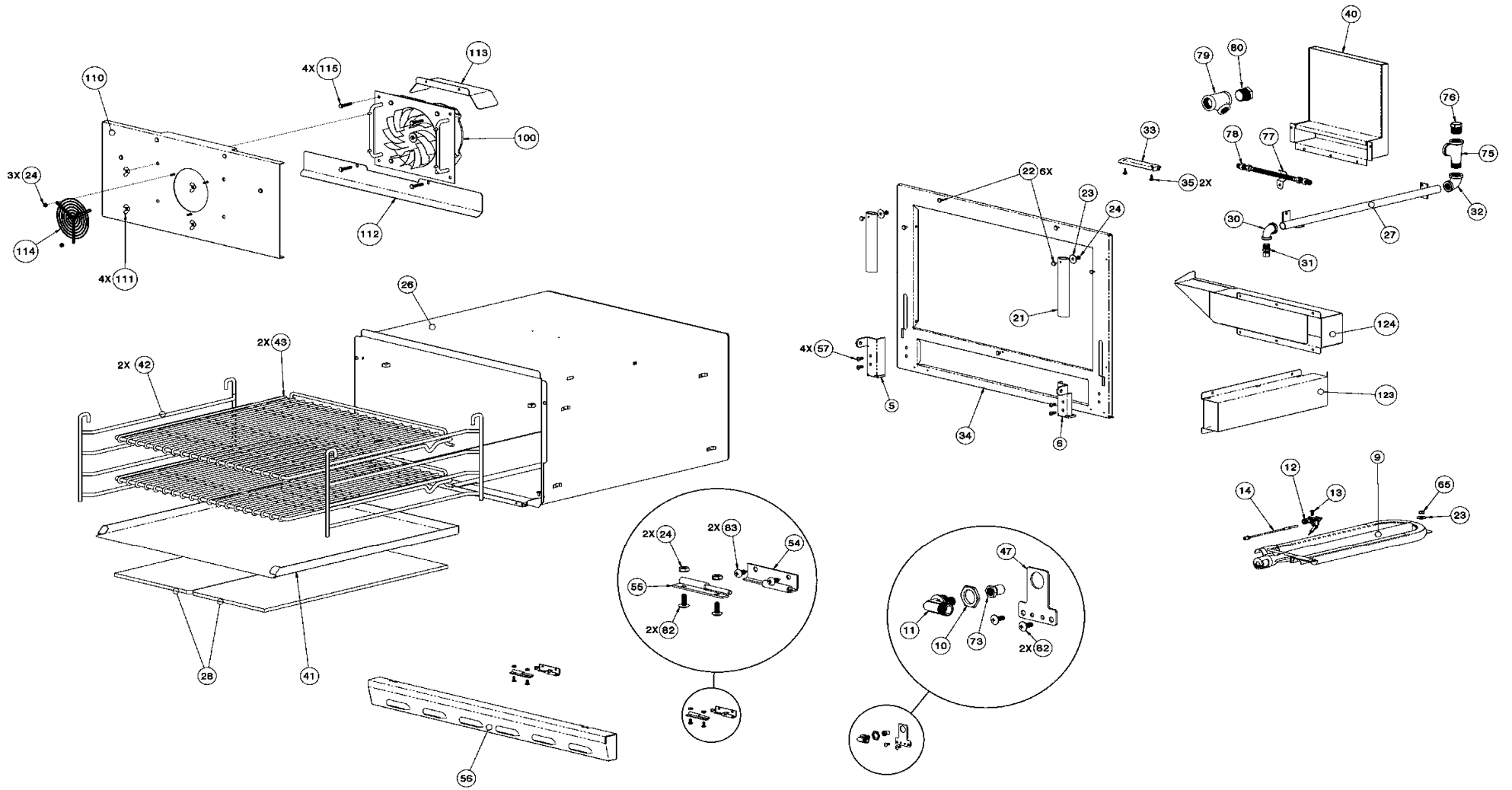
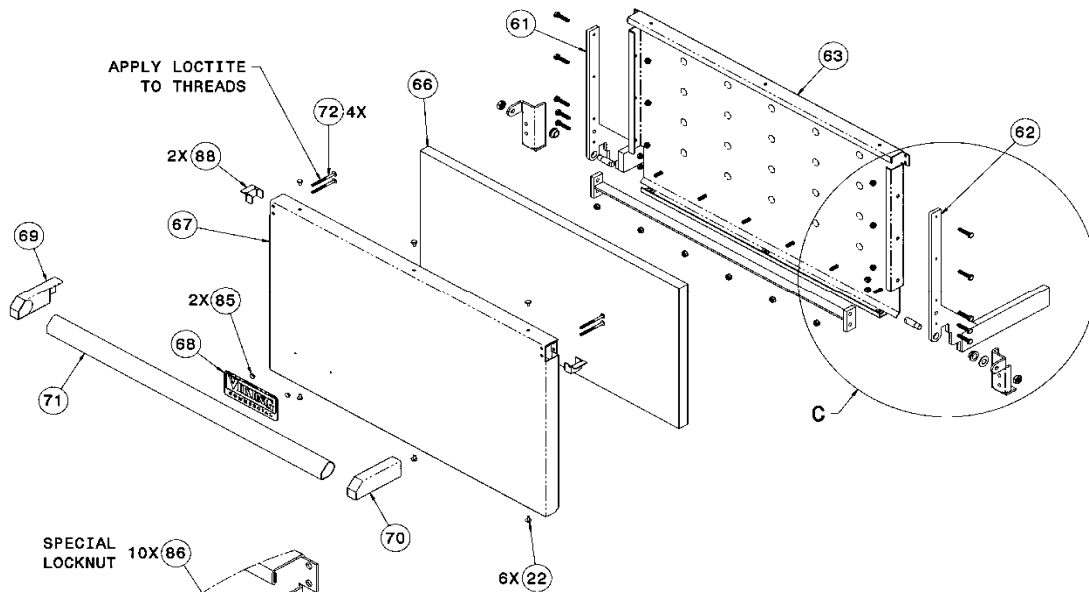
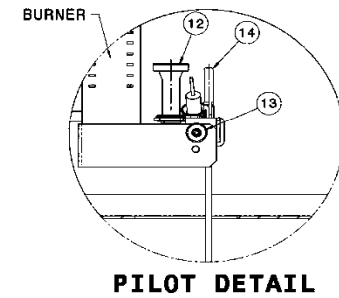
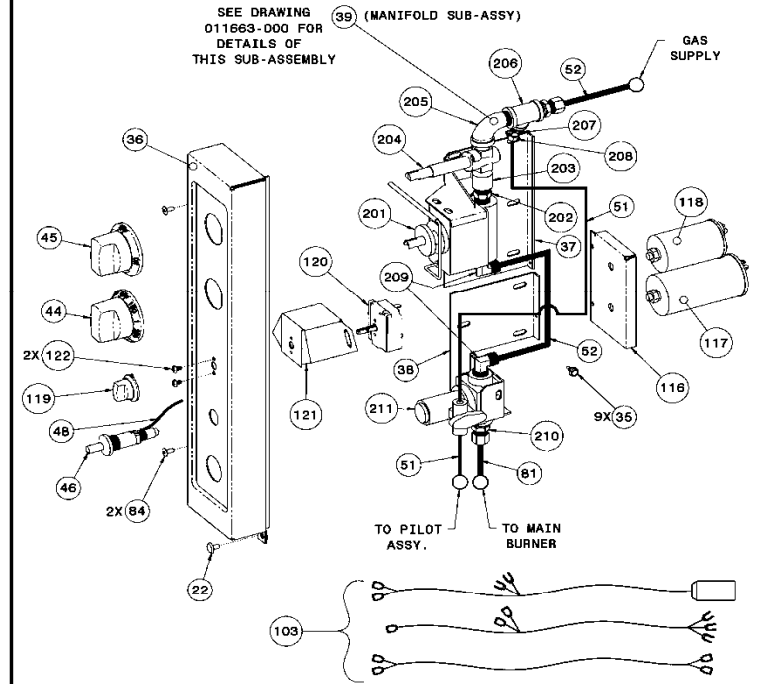
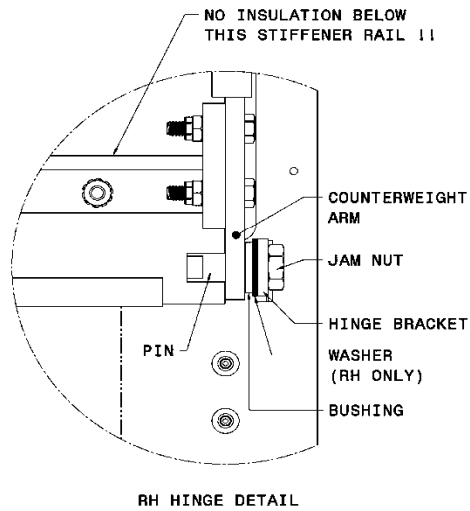
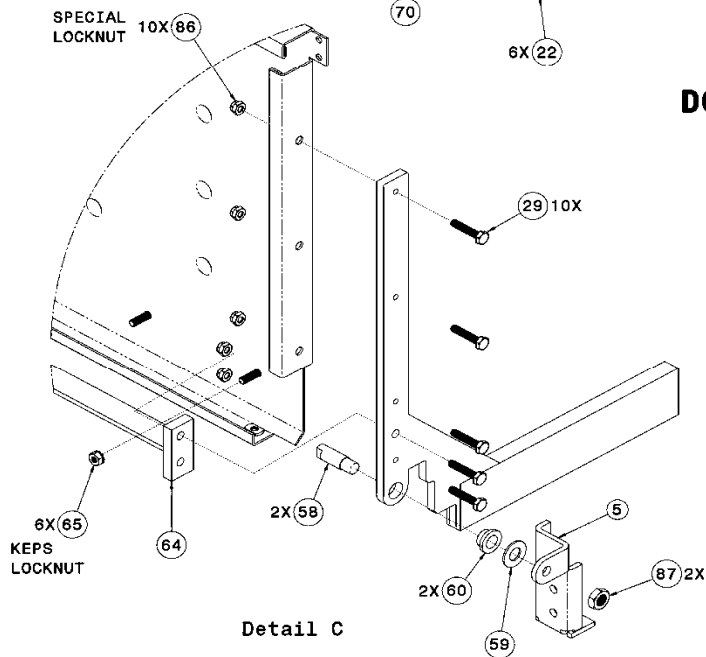


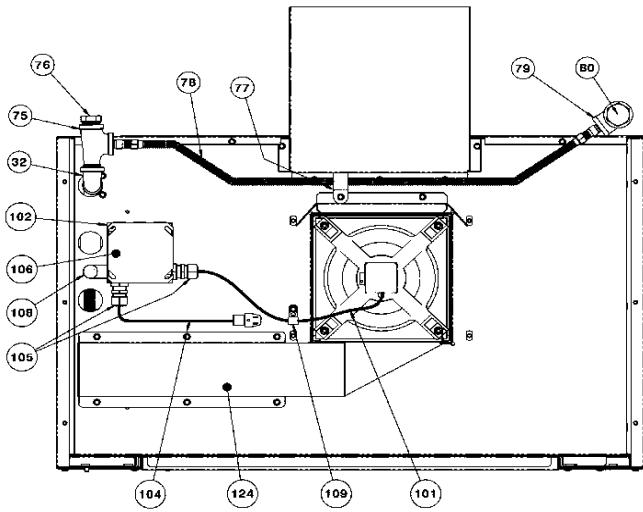
Oven, Convection



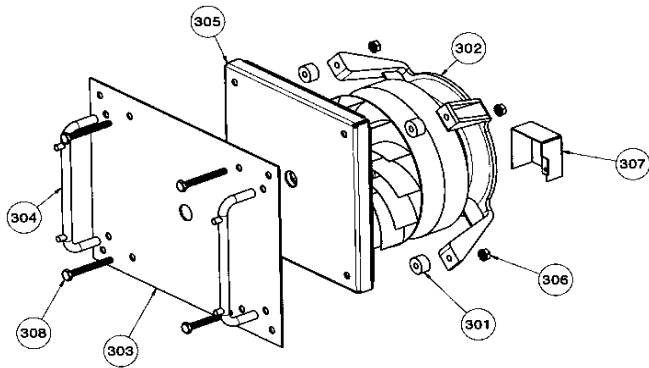


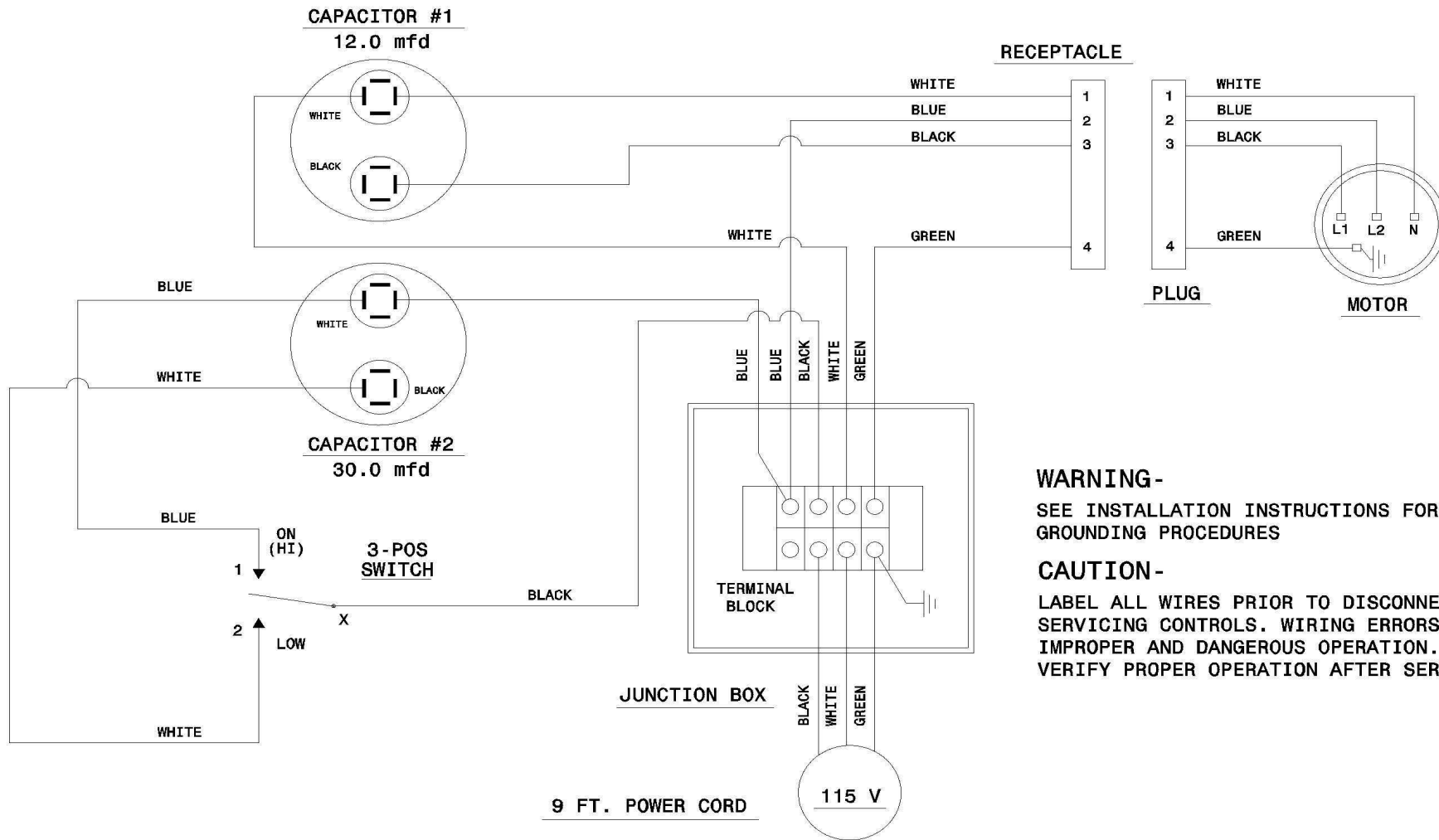
DOOR ASSY.





REAR VIEW





WARNING-

SEE INSTALLATION INSTRUCTIONS FOR PROPER GROUNDING PROCEDURES

CAUTION-

LABEL ALL WIRES PRIOR TO DISCONNECTION WHEN SERVICING CONTROLS. WIRING ERRORS CAN CAUSE IMPROPER AND DANGEROUS OPERATION. VERIFY PROPER OPERATION AFTER SERVICING.

**Oven,
Convection**

Model

V36CO-NG

V36COP-NG

V36CO-LP

V36COP-LP

	Part Number	Part Description	QTY	QTY	QTY	QTY
5	009154-000	Bracket, Door Hinge, LH	1	1	1	1
6	009175-000	Bracket, Door Hinge, RH	1	1	1	1
9	031516-000	Burner, Oven	1	1	1	1
10	010533-000	Nut, Brass	1	1	1	1
11	010349-000	Orifice Holder	1	1	1	1
12	031513-000	Oven Pilot, with ign. NG	1	1		
	031541-000	Oven Pilot, with ign. LP			1	1
13	PD020068	Screw, Pilot	1	1	1	1
14	012662-000	Thermocouple	1	1	1	1
21	017764-000	Dampening Sleeving	2	2	2	2
22	PD020033	Screw, 10-24 Special	16	16	16	16
23	015660-000	Washer, Flat SS	3	3	3	3
24	PD030044	Hex Lock Nut, 10-24 SS	9	9	9	9
26	012992-000	Oven Tank, Convection SS	1		1	
	016417-000	Oven Tank, Convection Porcelain		1		1
27	016617-000	Gas Pipe, Rear	1	1	1	1
28	006096-000	Plate, Oven Heat Sink	2	2	2	2
29	031466-000	Screw, 1/4-20 SS	10	10	10	10
30	017270-000	Elbow, 1/2 x 3/8 NPT	1	1	1	1
31	015190-000	Fitting, Tube 3/8 Compression	1	1	1	1
32	016662-000	Elbow, 3/4 x 1/2 NPT	1	1	1	1
33	012679-000	Bracket, Thermostat Probe	1	1	1	1
34	005532-000	Front Frame Panel	1	1	1	1
35	PD020048	Screw, #10 SS	44	44	44	44
36	016934-000	Convection switch control box assy	1	1	1	1
37	024802-000	Manifold Component Weld Assy	1	1	1	1
38	024830-000	Bracket, Safety Valve	1	1	1	1
39	011663-000	Manifold Assembly	1	1	1	1
40	006485-000	Flue Box	1	1	1	1
41	006786-000	Tray, Oven	1	1	1	1
42	007888-000	Rack Support, Oven	2	2	2	2
43	007503-000	Rack, Oven	2	2	2	2
44	005817-000	Thermostat Knob	1	1	1	1
45	011115-000	Knob, ON/OFF	1	1	1	1
46	010917-000	Piezo Igniter	1	1	1	1
47	011110-000	Burner Orifice Bracket	1	1	1	1
48	015737-000	Ign. Ground Wire	1	1	1	1

**Oven,
Convection**

Model

V36CO-NG

V36COP-NG

V36CO-LP

V36COP-LP

	Part Number	Part Description	QTY	QTY	QTY	QTY
51	010477-000	Tubing, Flex SS 1/4 x 20"	2	2	2	2
52	010476-000	Tubing, Flex SS 3/8 x 18"	2	2	2	2
54	006936-000	Female Plate, Hinge	2	2	2	2
55	006939-000	Male Plate, Hinge	2	2	2	2
56	010482-000	Kick plate, 36"	1	1	1	1
57	010811-000	1/4-20 x 5/8 SS Screw	4	4	4	4
58	009183-000	Pin, Door Hinge	2	2	2	2
59	009559-000	Washer, Door Brass	1	1	1	1
60	008821-000	Bearing, Hinge	2	2	2	2
61	005404-000	Arm Counterweight, LH	1	1	1	1
62	005403-000	Arm Counterweight, RH	1	1	1	1
63	017556-000	Inner Door Panel	1	1	1	1
64	016244-000	Stiffener, Inner Door Panel	1	1	1	1
65	010330-000	Nut, Lock 1/4-20 SS	7	7	7	7
66	009572-000	Insulation, Door	1	1	1	1
67	005888-000	Outer Door Panel	1	1	1	1
68	005301-000	Name Plate, 6"	1	1	1	1
69	005524-000	End cap, Door Handle LH	1	1	1	1
70	005885-000	End cap, Door Handle RH	1	1	1	1
71	005510-000	Handle, Oven Door	1	1	1	1
72	035547-000	Screw, Oven Door Handle	4	4	4	4
73	016029-000	Orifice #42 NG	1	1		
	PB040063	Orifice #52 LP			1	1
74	016496-000	Literature	1	1	1	1
75	016752-000	Tee 3/4 x 3/4 x 3/4	1	1	1	1
76	016771-000	Plug	1	1	1	1
77	017271-000	Clamp	1	1	1	1
78	016762-000	Flex Gas Line, 5/8" x 36"	1	1	1	1
79	014995-000	Tee, 1 x 3/4 x 1	1	1	1	1
80	016611-000	Plug, 1"	1	1	1	1
81	PB020198	20" Flex Tubing	1	1	1	1
82	PD020056	Screw, 10-24 x .50 SS	6	6	6	6
83	PD020055	Screw, 10-16 x 1/2 SS	4	4	4	4
84	003083-000	Screw, 8-18 x 1/2	2	2	2	2
85	PD030006	Pal nut	2	2	2	2
86	035644-000	Nut, Lock SS	10	10	10	10
87	034563-000	Nut, Jam SS	2	2	2	2

**Oven,
Convection**

Model

V36CO-NG

V36COP-NG

V36CO-LP

V36COP-LP

	Part Number	Part Description	QTY	QTY	QTY	QTY
88	035841-000	STANDOFF, OVEN DOOR END CAP	2	2	2	2
100	006229-000	Convection Motor Mount Assembly	1	1	1	1
101	016125-000	Motor Wiring Assy	1	1	1	1
102	012973-000	Box, Electrical, Conv. Oven	1	1	1	1
103	012971-000	Wire Assembly, 36" Conv. Oven	1	1	1	1
104	012859-000	Cord, Power, 9 FT	1	1	1	1
105	015810-000	Grip, Cord, Plastic	2	2	2	2
106	012974-000	Cover, Electrical Box	1	1	1	1
107	015192-000	BLOCK, TERMINAL, 4-POS.	1	1	1	1
108	015203-000	Connector, 1" angle Compression	1	1	1	1
109	015208-000	Clip, Wiring 3/8"	3	3	3	3
110	037816-000	BAFFLE, WELD-ASSY, CONV. OVEN	1	1	1	1
111	031768-000	WING NUT, 1/4-20, 18-8 SS	4	4	4	4
112	019981-000	DEFLECTOR, FAN	1	1	1	1
113	011692-000	Cover, Upper Motor	1	1	1	1
114	011074-000	Guard, Conv. Motor Fan	1	1	1	1
115	011292-000	Bolt, Hex Head, 1/4-20 x 1.5, Stainless Steel	4	4	4	4
116	019997-000	Bracket, Capacitor	1	1	1	1
117	014607-000	Capacitor, Motor 30MFD	1	1	1	1
118	011690-000	Capacitor, Motor 12MFD	1	1	1	1
119	015901-000	Knob Assembly, 50 percent	1	1	1	1
120	PJ030036	3 POSITION SELECTOR SWITCH	1	1	1	1
121	038314-000	COVER, Selector Switch, V36CO	1	1	1	1
122	PD020269	SCREW, #8-32 X 1/4, PH PAN, ZN PL	2	2	2	2
123	038243-000	Inner Duct, Weld Assy., Conv. Oven	1	1	1	1
124	038244-000	Outer Duct, Weld Assy., Conv. Oven	1	1	1	1
201	009425-000	VALVE, THERMOSTAT	1	1	1	1
202	015159-000	NIPPLE, 3/8" HEX	1	1	1	1
203	015154-000	COUPLING, 3/8" NPT, HALF	1	1	1	1
204	006433-000	SHUTOFF VALVE	1	1	1	1
205	015153-000	ELBOW, 3/8" NPT, 90 DEGREE STREET	1	1	1	1
206	015155-000	TEE, 3/8" X 1/4" X 3/8" NPT, RED.	1	1	1	1
207	015158-000	BUSHING, 1/4" X 1/8" NPT, HEX	1	1	1	1

**Oven,
Convection**

Model

V36CO-NG

V36COP-NG

V36CO-LP

V36COP-LP

	Part Number	Part Description	QTY	QTY	QTY	QTY
208	010315-000	PILOT ADJUSTER	1	1	1	1
209	011360-000	FITTING, 3/8" NPT X 3/8 CC	2	2	2	2
210	015190-000	FITTING, TUBE 3/8" COMPRESSION	2	2	2	2
211	009422-000	VALVE, SAFETY	1	1	1	1
301	006230-000	SPACER, CONV. MOTOR	4	4	4	4
302	006211-000	MOTOR, OVEN, CONVECTION	1	1	1	1
		Fan Blade, Oven	1	1	1	1
		Screw, Oven Fan Blade	1	1	1	1
303	006233-000	PLATE, CONV. OVEN MOTOR	1	1	1	1
304	006238-000	HANDLE, CONV. OVEN MOTOR	2	2	2	2
305	011145-000	MOTOR COVER, INSULATION ASSY.	1	1	1	1
306	010330-000	1/4-20 KEEPS NUT, SS	4	4	4	4
307	014859-000	COVER, REAR MOTOR TERMINAL	1	1	1	1
308	025955-000	SCREW, CAP, HEX HEAD, 1/4-20 X 2-1/4", SS	4	4	4	4
Not Shown						
	004642-000	6 Inch Leg	4	4	4	4
	004919-000	Leg Mounting Plate	4	4	4	4
	PD020069	CAP SCREW 1/4-20 X 3/4 SS	16	16	16	16
	012464-000	CASTER, ADJ, 4" W/LOCK	2	2	2	2
	012475-000	CASTER, ADJ, 4" W/O LOCK	2	2	2	2
	014816-000	CASTER, STD, 4" W/O Lock	2	2	2	2
	014817-000	CASTER, STD, 4" W/Lock	2	2	2	2
	012497-000	Regulator, 3/4" NG				
	014019-000	Regulator, 3/4" LP				
	012490-000	Regulator, 1" NG				
	014018-000	Regulator, 1" LP				
	012500-000	Regulator, 1 1/4" NG				
	014020-000	Regulator, 1 1/4" LP				