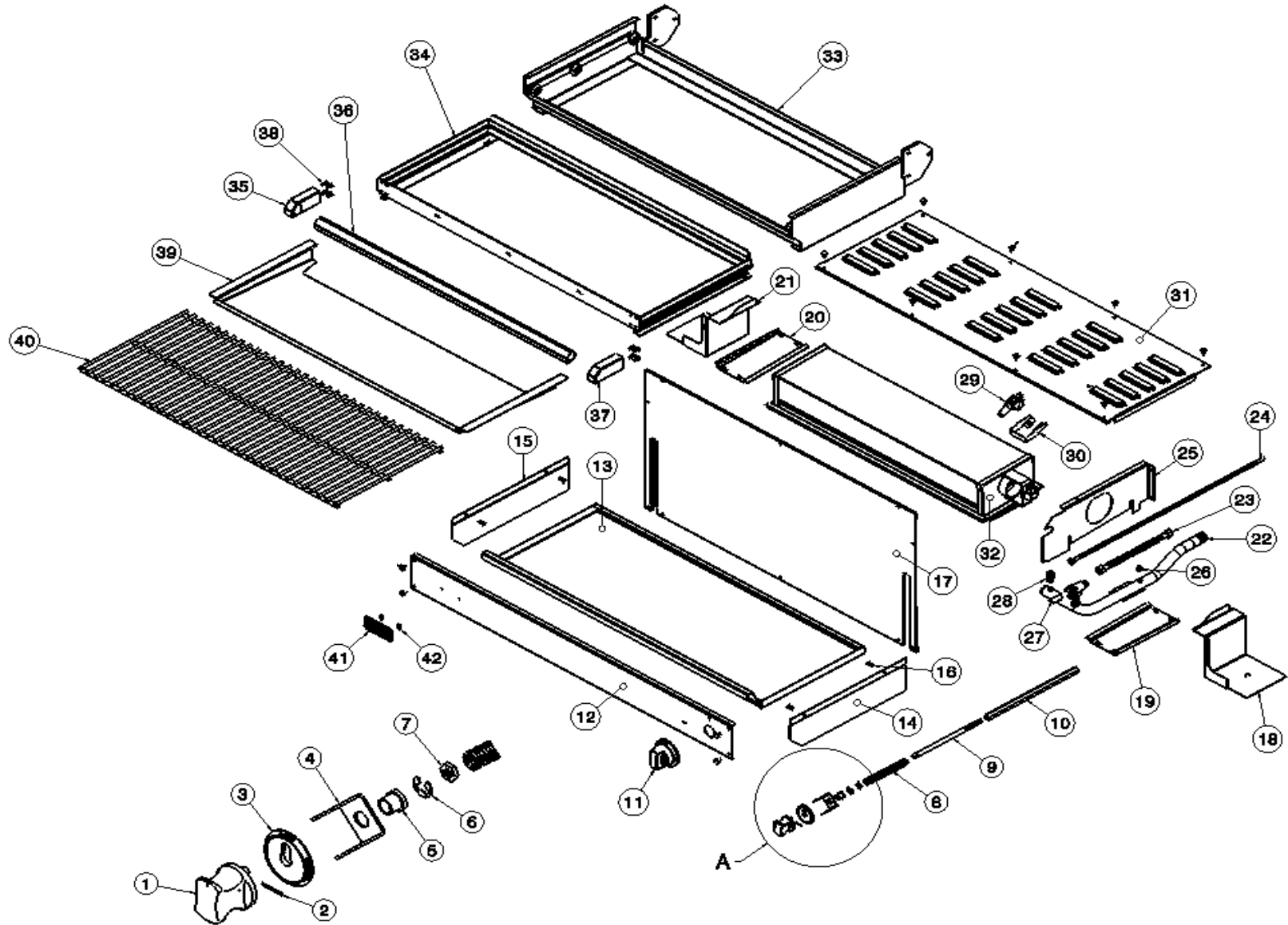
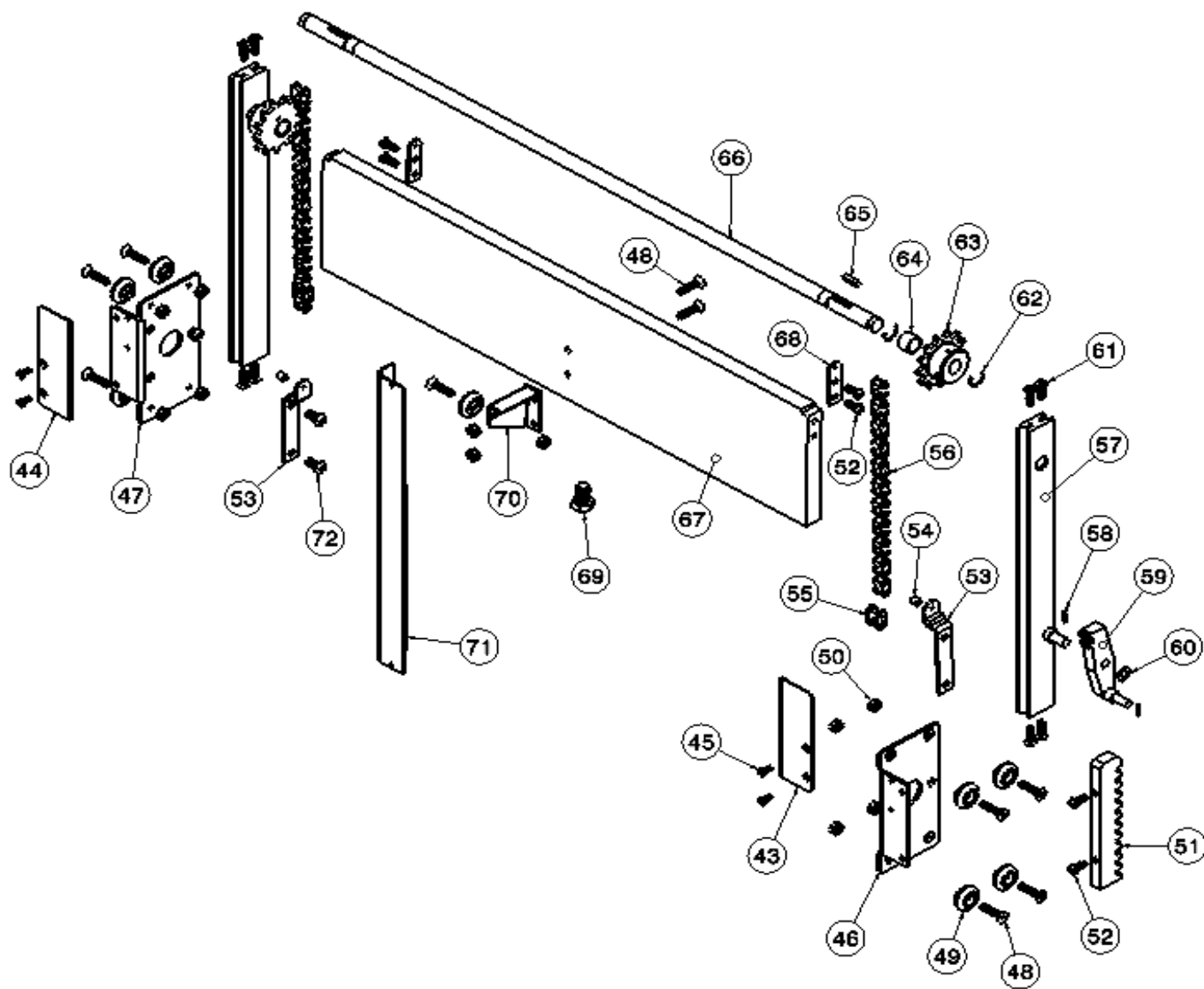


Salamander



Salamander



Salamander

Model

V36SMR-NG

V36SMW-NG

V36SMC-NG

V36SMR-LP

V36SMW-LP

V36SMC-LP

	Part Number	Part Description	QTY	QTY	QTY	QTY	QTY	QTY
1	005183-000	Knob, Lock	1	1	1	1	1	1
2	019134-000	Spring Pin	1	1	1	1	1	1
3	005171-000	Bezel	1	1	1	1	1	1
	100480-000	Press Nut .125	2	2	2	2	2	2
4	010708-000	Wa. Bracket	1	1	1	1	1	1
5	005618-000	Bushing	1	1	1	1	1	1
6	010819-000	C-Clip 3/8	1	1	1	1	1	1
7	010823-000	Nut, Jam	1	1	1	1	1	1
8	010818-000	Spring, Lock	1	1	1	1	1	1
9	010777-000	Shaft, Lock 3/8	1	1	1	1	1	1
10	008491-000	Hex Rod	1	1	1	1	1	1
11	011115-000	Knob, On-Off	1	1	1	1	1	1
	004705-000	Set Screw	1	1	1	1	1	1
	004706-000	Screw, Knob	4	4	4	4	4	4
12	011240-000	Panel, Front 36"	1	1	1	1	1	1
	PD020033	Screw, Panel	4	4	4	4	4	4
13	010286-000	Drip Tray	1	1	1	1	1	1
14	011231-000	Filler, RH	1	1	1	1	1	1
15	011230-000	Filler, LH	1	1	1	1	1	1
16	012417-000	Screw	4	4	4	4	4	4
17	014138-000	Inside Back Panel	1	1	1	1	1	1
	PD020033	10-24 x 1/2 Screw	10	10	10	10	10	10
18	026760-000	Flue Shield, RH	1	1	1	1	1	1
19	011235-000	IR Retainer, RH 36"	1	1	1	1	1	1
20	011232-000	IR Retainer, LH 36"	1	1	1	1	1	1
21	026763-000	Flue Shield, LH	1	1	1	1	1	1
22	011271-000	Manifold, CM/SM RT	1	1	1	1	1	1
	010330-000	Nut, Manifold	1	1	1	1	1	1
	010539-000	Washer, Manifold	1	1	1	1	1	1
23	010476-000	3/8" Flex Tubing, Burner	1	1	1	1	1	1
24	010477-000	1/4" Flex Tubing, Pilot	1	1	1	1	1	1
25	011227-000	IR Burner Shield	1	1	1	1	1	1
26	010158-000	Plug, Hex	1	1	1	1	1	1
27	010309-000	Valve, Burner	1	1	1	1	1	1
28	010315-000	Valve, Pilot	1	1	1	1	1	1

Salamander

Model

V36SMR-NG

V36SMW-NG

V36SMC-NG

V36SMR-LP

V36SMW-LP

V36SMC-LP

	Part Number	Part Description	QTY	QTY	QTY	QTY	QTY	QTY
29	015191-000	Pilot, CM/SM	1	1	1	1	1	1
	031776-000	Mounting Screws	2	2	2	2	2	2
30	019113-000	Pilot Cover	1	1	1	1	1	1
31	010297-000	Top Panel	1	1	1	1	1	1
	PD020033	Screw, Panel	8	8	8	8	8	8
32	010316-000	Burner, IR 24"	1	1	1	1	1	1
	009213-000	Screen	1	1	1	1	1	1
	015788-000	Orifice NG, #41	1	1	1			
	015799-000	Orifice LP, #53				1	1	1
33	010834-000	Lift Tray with rollers	1	1	1	1	1	1
	010788-000	Rollers	6	6	6	6	6	6
	012418-000	1/4 - 20 x 3/4 Screw	6	6	6	6	6	6
34	012829-000	Upper Carriage	1	1	1	1	1	1
35	006049-000	Handle Bracket LH	1	1	1	1	1	1
36	006040-000	Handle	1	1	1	1	1	1
37	005983-000	Handle Bracket RH	1	1	1	1	1	1
38	012417-000	10-24 x 1/2 screw	8	8	8	8	8	8
39	010710-000	Grease Shield	1	1	1	1	1	1
40	008285-000	Rack	1	1	1	1	1	1
41	004728-000	Viking Name Plate	1	1	1	1	1	1
42	010480-000	Press Nut	2	2	2	2	2	2
43	010720-000	Shield Lift RH	1	1	1	1	1	1
44	010722-000	Shield Lift LH	1	1	1	1	1	1
45	012417-000	Screw 10-24 x 1/2 Flat Head	4	4	4	4	4	4
46	014147-000	Lift Gusset, RH	1	1	1	1	1	1
47	014149-000	Lift Gusset, LH	1	1	1	1	1	1
48	010813-000	5/16 - 18 x 5/8 Hex Socket Screw	11	11	11	11	11	11
49	010788-000	Roller SS	9	9	9	9	9	9
50	010330-000	Nut, 1/4 -20 keeps nut, SS	9	9	9	9	9	9
51	010747-000	Lift Lock Gear	1	1	1	1	1	1
52	010811-000	1/4 - 20 x 5/8 SS Hex Socket Screw	6	6	6	6	6	6
53	014140-000	Offset Link Plate	2	2	2	2	2	2
54	010814-000	Spacer Link	4	4	4	4	4	4
55	010826-000	Master Link	2	2	2	2	2	2
56	010828-000	Roller Chain W/Master Link	2	2	2	2	2	2

57	016243-000	Rail, W/Pin	1	1	1	1	1	1
	010755-000	Rail, Left	1	1	1	1	1	1
58	010809-000	Cotter Pin	2	2	2	2	2	2
59	016241-000	Pivot Arm	1	1	1	1	1	1
60	010817-000	Washer	1	1	1	1	1	1
61	012418-000	1/4 - 20 Undercut Screw	8	8	8	8	8	8
62	010820-000	"C" Clip	4	4	4	4	4	4
63	010784-000	Sprocket	2	2	2	2	2	2
64	010821-000	Sleeve Bearing	2	2	2	2	2	2
65	010822-000	Key Stock	2	2	2	2	2	2
66	010765-000	Sprocket Shaft	1	1	1	1	1	1
67	010758-000	Counter Weight	1	1	1	1	1	1
68	012102-000	Straight Plate	2	2	2	2	2	2
69	010455-000	1/2 - 13 x 1 Hex Bolt	1	1	1	1	1	1
	019132-000	Jam Nut 1/2 - 13	1	1	1	1	1	1
70	008745-000	Bracket, Center Roller	1	1	1	1	1	1
71	008746-000	Roller Bracket	1	1	1	1	1	1
72	010813-000	5/16 - 18 x 5/8 Hex Head Screw	4	4	4	4	4	4
		Not Shown						
	024352-000	Back Cover, s/hole for gas line			1			1
	025012-000	Back Cover, no hole for gas line						
	PD020033	Screw, Panel						
	010290-000	Wall Bracket 36"		1			1	
	010455-000	1/2 x 13 x 1 Hex Bolt (mounting bolts)	4			4		
	012497-000	Regulator, 3/4" NG						
	014019-000	Regulator, 3/4" LP						
	012490-000	Regulator, 1" NG						
	014018-000	Regulator, 1" LP						
	012500-000	Regulator, 1 1/4" NG						
	014020-000	Regulator, 1 1/4" LP						
	009088-000	4" Leg with mounting plate			4			4
	PD020069	CAP SCREW 1/4-20 X 3/4 SS			16			16