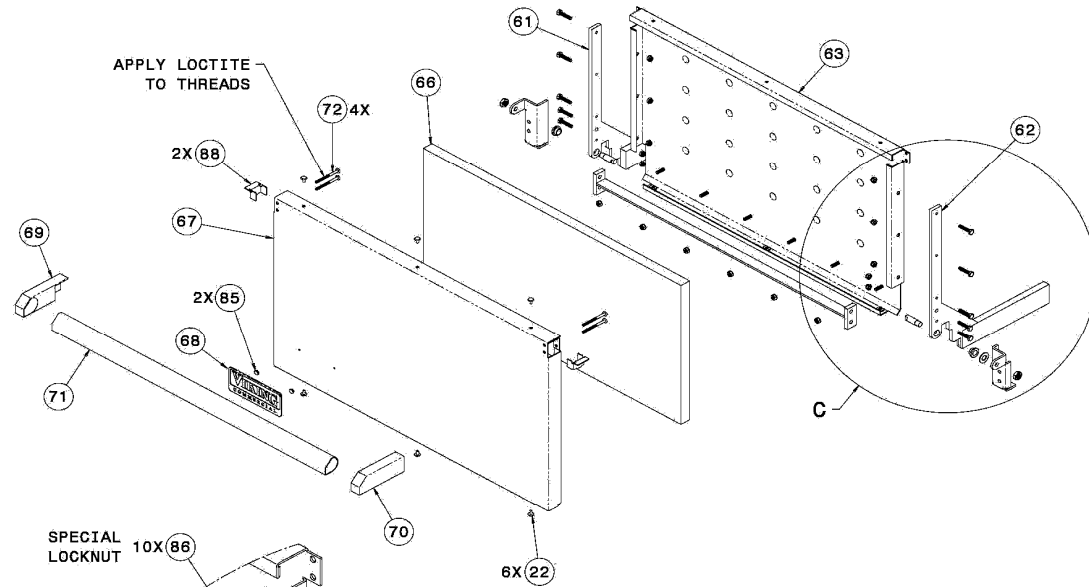
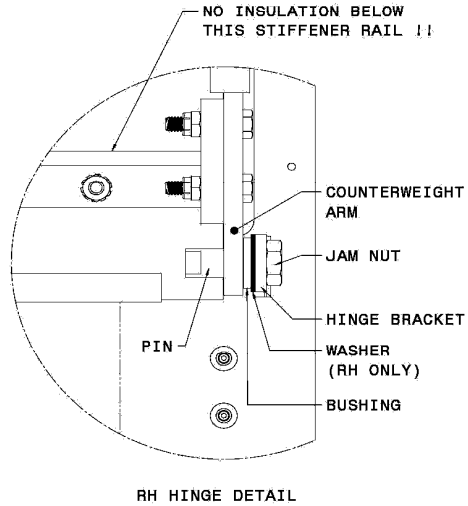
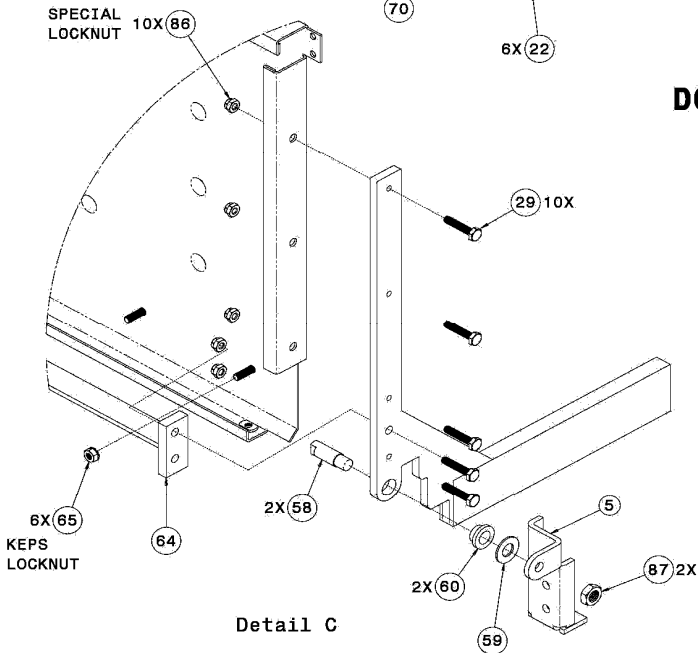


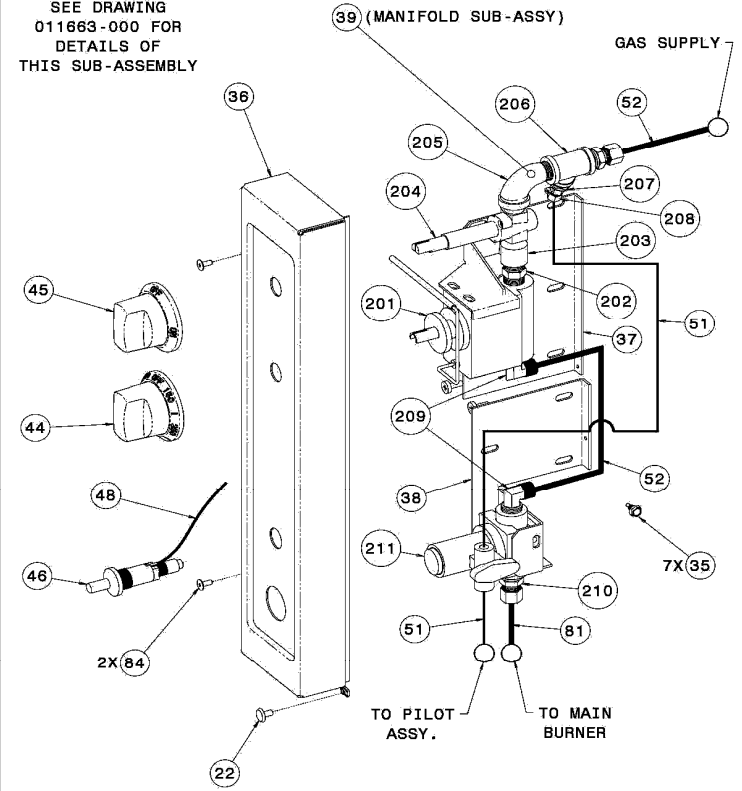
# Oven, Standard



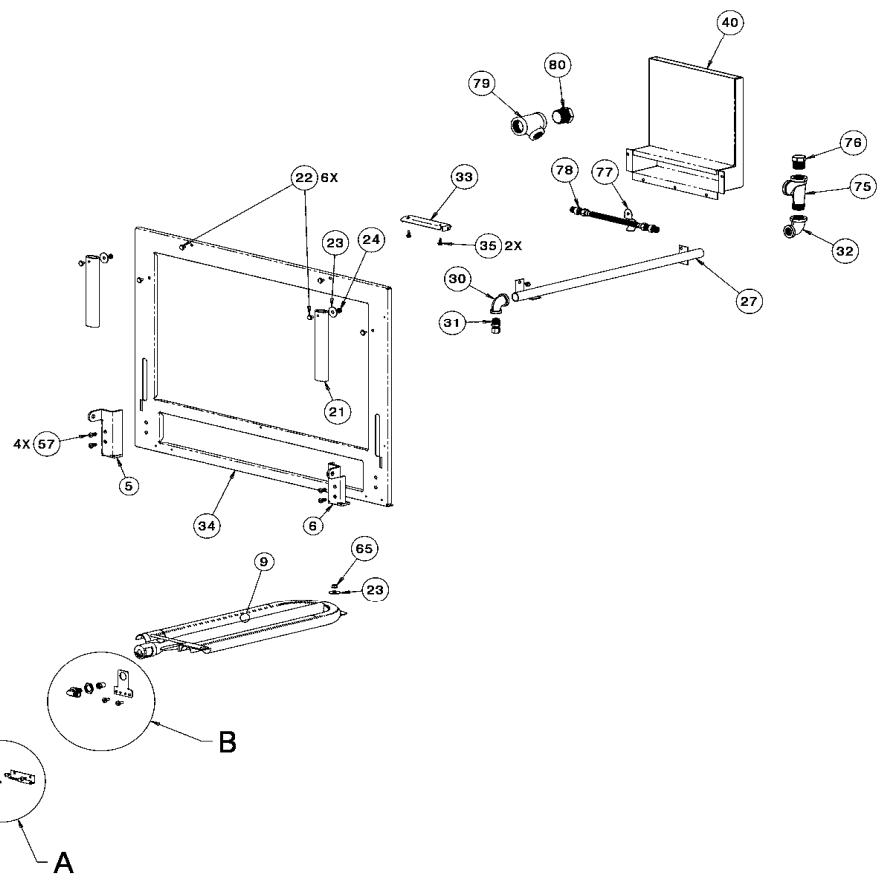
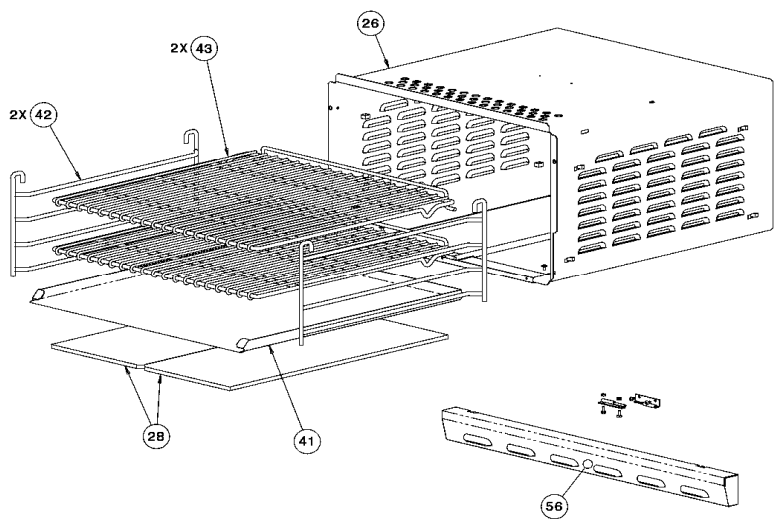
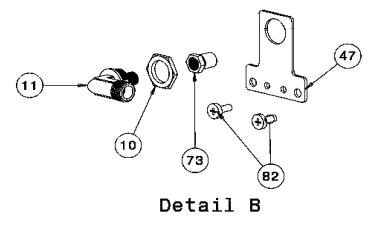
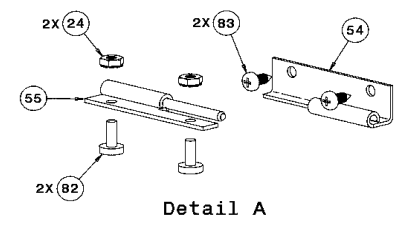
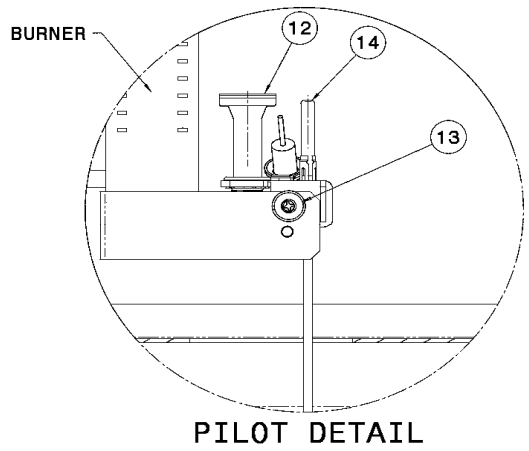
## DOOR ASSY.



SEE DRAWING 011663-000 FOR DETAILS OF THIS SUB-ASSEMBLY



## CONTROLS ASSY.



Oven,  
Standard

Model

V36SO-NG

V36SOP-NG

V36SO-LP

V36SOP-LP

	Part Number	Part Description	QTY	QTY	QTY	QTY
5	009154-000	Bracket, Door Hinge, LH	1	1	1	1
6	009175-000	Bracket, Door Hinge, RH	1	1	1	1
9	031516-000	BURNER, TUBE, WITH PILOT BRACKET, WA	1	1	1	1
10	010533-000	NUT, LOCK, 3/4-16, BRASS	1	1	1	1
11	010349-000	BULKHEAD ORIFICE HOLDER, 3/8CC X 3/8-27	1	1	1	1
12	031513-000	PILOT WITH IGNITER - NG, B11H3-1	1	1		
	031541-000	PILOT WITH IGNITER - LP, B11H3-2			1	1
13	PD020068	SCREW, 10-32 X 1/2 SS, PHIL, TRUSS	1	1	1	1
14	012662-000	Thermocouple, Oven Burner	1	1	1	1
21	017764-000	Sleeving, Counterweight	2	2	2	2
22	PD020033	10-24 X 1/2 NICKEL PHIL WAFER HD #2 DRIVE	15	15	15	15
23	015660-000	Washer, Flat, 1/4 ID X 1.00 OD, S.S.	3	3	3	3
24	PD030044	Nut, 10-24, With Tooth Washer	6	6	6	6
26	010545-000	Standard Oven Tank Assy	1		1	
	016418-000	Standard Oven Tank Assy, Porcelain		1		1
27	016617-000	Pipe, Oven Gas Rear	1	1	1	1
28	006096-000	Plate, Oven Heating	2	2	2	2
29	031466-000	CAP SCREW, 1/4-20 X 1.25, THREADED, SS	10	10	10	10
30	017270-000	Elbow, Red. 1/2 X 3/8 NPT	1	1	1	1
31	015190-000	Fitting, Tube 3/8" Compression	1	1	1	1
32	016662-000	Elbow, Red. 3/4 X 1/2 NPT	1	1	1	1
33	012679-000	Bracket, Thermostat Probe	1	1	1	1
34	005532-000	Panel, Front Frame	1	1	1	1
35	PD020048	SCREW, #10 x 1/2 HXWSH, TEK, 410 SS	25	25	25	25
36	010548-000	Standard Control Box Assembly	1	1	1	1
37	024802-000	Manifold Component Weld Assy	1	1	1	1
38	024830-000	Bracket, Safety Gas Valve	1	1	1	1
39	011663-000	Manifold Standard Oven Control Assembly	1	1	1	1
40	006485-000	Flue Box Assy	1	1	1	1
41	006786-000	Tray, Oven	1	1	1	1
42	007888-000	Rack Support, Oven	2	2	2	2
43	007503-000	Rack, Oven Wire	2	2	2	2
44	005817-000	Thermostat Knob Assembly	1	1	1	1
45	011115-000	Knob, Assy, ON-OFF, 75 Percent	1	1	1	1
46	010917-000	Piezo Igniter, Push Button	1	1	1	1
47	011110-000	Bracket, Burner Orifice	1	1	1	1
48	015737-000	Piezo Grounding Wire Assy	1	1	1	1

Oven,  
Standard

Model

V36SO-NG

V36SOP-NG

V36SO-LP

V36SOP-LP

	Part Number	Part Description	QTY	QTY	QTY	QTY
49	006336-000	Panel, Top Oven Cabinet	1	1	1	1
50	006335-000	Panel, Side Cabinet, LH	1	1	1	1
51	015221-000	TUBING, FLEX, SST, 1/4CC Male & Female x 20"	2	2	2	2
52	010476-000	TUBING, FLEX, SST, 3/8CC x 18 Inch	2	2	2	2
53	016020-000	Panel, R/H Cabinet Assy	1	1	1	1
54	006936-000	Female Plate, Kick Hinge	2	2	2	2
55	006939-000	Male Kick Hinge Assy	2	2	2	2
56	010482-000	Kick plate 36 Inch Weld Assy	1	1	1	1
57	010811-000	1/4"-20 x 5/8", 18-8 SST HEX SOCKET BUTTON HD S	4	4	4	4
58	009183-000	Pin, Oven Door Hinge	2	2	2	2
59	009559-000	Washer, Door Pin	1	1	1	1
60	008821-000	Bearing, Counterweight Sleeve	2	2	2	2
61	005404-000	Arm Counterweight Assy, L.H.	1	1	1	1
62	005403-000	Arm Counterweight Assy, R.H.	1	1	1	1
63	017556-000	Liner, Oven, Stud Assembly	1	1	1	1
64	016244-000	Door Liner Stiffener	1	1	1	1
65	010330-000	NUT, KEPS, 1/4-20, SS	7	7	7	7
66	009572-000	Insulation, Oven Door	1	1	1	1
67	005888-000	Panel, Oven Front Door	1	1	1	1
68	005301-000	Viking Nameplate, 6 Inch	1	1	1	1
69	005524-000	End cap, Oven Door Handle, LH	1	1	1	1
70	005885-000	End cap, Oven Door Handle, RH	1	1	1	1
71	005510-000	Handle, Oven Door	1	1	1	1
72	035547-000	SCREW, MACH., #10-24 X 2-1/2, PH TRU HD, S.S.	4	4	4	4
73	015695-000	ORIFICE HOOD #38 NG	1	1		
	PB040063	ORIFICE HOOD #52 LP			1	1
74	016495-000	LITERATURE, Standard Oven ASSY	1	1	1	1
75	016752-000	Tee, 3/4" MNPT X 3/4" FNPT X 3/4" FNPT	1	1	1	1
76	016771-000	Plug, 3/4" Hex Head	1	1	1	1
77	017271-000	Clamp, One Hole Metal	1	1	1	1
78	016762-000	5/8" X 36" FLEX, SST, 3/4"X3/4" CONNECTORS	1	1	1	1
79	014995-000	Tee, 1" x 3/4" x 1" NPT	1	1	1	1
80	016611-000	Plug, 1" Hex Head	1	1	1	1
81	PB020198	20" FLEX TUBING	1	1	1	1
82	PD020056	MACH. SCREW, #10-24 X .50, PH TR HD, SS	6	6	6	6
83	PD020055	SCREW, #10-16 x 1/2, PH, PNH, SLF-DLNG, SS	4	4	4	4
84	003083-000	SCREW, #8-18 X 1/2, PH, FLAT TOP TRUSS HD AB	2	2	2	2

Oven,  
Standard

Model

V36SO-NG

V36SOP-NG

V36SO-LP

V36SOP-LP

	Part Number	Part Description	QTY	QTY	QTY	QTY
85	PD030006	PAL NUT, CAPPED, WASHER, STUD DIAM. .125, ZN	2	2	2	2
86	035644-000	NUT, LOCK, FLEXIBLE, 1/4-20NC, S.S.	10	10	10	10
87	034563-000	NUT, JAM, 7/16-14NC, SS	2	2	2	2
88	035841-000	STANDOFF, OVEN DOOR END CAP	2	2	2	2
201	009425-000	VALVE, THERMOSTAT	1	1	1	1
202	015159-000	NIPPLE, 3/8" HEX	1	1	1	1
203	015154-000	COUPLING, 3/8" NPT, HALF	1	1	1	1
204	006433-000	SHUTOFF VALVE	1	1	1	1
205	015153-000	ELBOW, 3/8" NPT, 90 DEGREE STREET	1	1	1	1
206	015155-000	TEE, 3/8" X 1/4" X 3/8" NPT, RED.	1	1	1	1
207	015158-000	BUSHING, 1/4" X 1/8" NPT, HEX	1	1	1	1
208	010315-000	PILOT ADJUSTER	1	1	1	1
209	011360-000	FITTING, 3/8" NPT X 3/8 CC	2	2	2	2
210	015190-000	FITTING, TUBE 3/8" COMPRESSION	2	2	2	2
211	009422-000	VALVE, SAFETY	1	1	1	1
<b>Not Shown</b>						
	004642-000	6 Inch Leg	4	4	4	4
	004919-000	Leg Mounting Plate	4	4	4	4
	PD020069	CAP SCREW 1/4-20 X 3/4 SS	16	16	16	16
	012464-000	CASTER, ADJ, 4" W/LOCK	2	2	2	2
	012475-000	CASTER, ADJ, 4" W/O LOCK	2	2	2	2
	014816-000	CASTER, STD, 4" W/O Lock	2	2	2	2
	014817-000	CASTER, STD, 4" W/Lock	2	2	2	2
	012497-000	Regulator, 3/4" NG				
	014019-000	Regulator, 3/4" LP				
	012490-000	Regulator, 1" NG				
	014018-000	Regulator, 1" LP				
	012500-000	Regulator, 1 1/4" NG				
	014020-000	Regulator, 1 1/4" LP				