

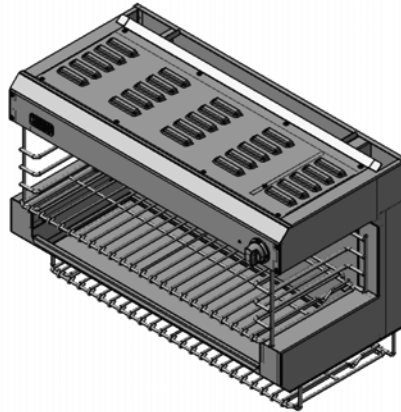


## *Installation, Operation & Owners Guide*

### Models

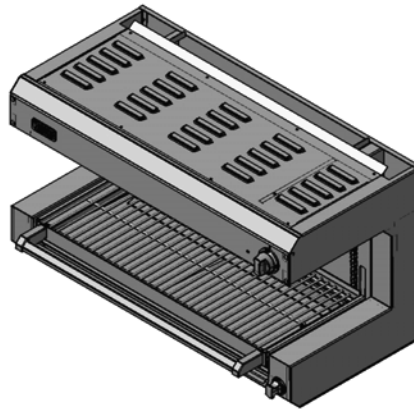
#### Cheesemelter

VxxCM Series



#### Salamander Broiler

V36SM



Viking Range Corporation  
Commercial Products Div.  
111 Front Street  
Greenwood, MS 38930  
(877) 307-8877



016283-000

©2009 Viking Commercial Division

**RETAIN THIS MANUAL FOR FUTURE REFERENCE**



(07/09)

## **IMPORTANT FOR YOUR SAFETY**

**THIS MANUAL HAS BEEN PREPARED FOR PERSONNEL QUALIFIED TO INSTALL GAS EQUIPMENT, WHO SHOULD PERFORM THE INITIAL FIELD START-UP AND ADJUSTMENTS OF THE EQUIPMENT COVERED BY THIS MANUAL.**

**POST IN A PROMINENT LOCATION THE INSTRUCTIONS TO BE FOLLOWED IN THE EVENT THE SMELL OF GAS IS DETECTED. THIS INFORMATION CAN BE OBTAINED FROM THE LOCAL GAS SUPPLIER.**

## **IMPORTANT**

**IN THE EVENT A GAS ODOR IS DETECTED, SHUT DOWN UNITS AT MAIN SHUTOFF VALVE AND CONTACT THE LOCAL GAS COMPANY OR GAS SUPPLIER FOR SERVICE.**

## **FOR YOUR SAFETY**

**DO NOT STORE OR USE GASOLINE OR OTHER FLAMMABLE VAPORS OR LIQUIDS IN THE VICINITY OF THIS OR ANY OTHER APPLIANCE.**

## **WARNING**

**IMPROPER INSTALLATION, ADJUSTMENT, ALTERATION, SERVICE OR MAINTENANCE CAN CAUSE PROPERTY DAMAGE, INJURY OR DEATH. READ THE INSTALLATION, OPERATING AND MAINTENANCE INSTRUCTIONS THOROUGHLY BEFORE INSTALLING OR SERVICING THIS EQUIPMENT.**

**IN THE EVENT OF A POWER FAILURE, DO NOT ATTEMPT TO OPERATE THIS DEVICE.**

# Table of Contents

<b>Section 1: Installation</b> .....	4
<u>Appliances Equipped with Casters</u> .....	6
<u>Electrical Supply</u> .....	9
<u>Gas Supply</u> .....	7
Gas Pressure Regulator .....	8
<u>Installation Procedure</u> .....	4
Clearances .....	4
Data Plate Location .....	5
Location .....	4
Riser .....	5
Uncrating .....	4
<u>Leveling</u> .....	4
<u>Statutory Regulations</u> .....	6
Canada .....	6
United States of America .....	6
<u>Ventilation Air</u> .....	9
<b>Section 2: Operator Instructions</b> .....	10
<u>Lighting Instructions</u> .....	10
Cheesemelter .....	10
Salamander .....	10
<b>Section 3: Cleaning and Maintenance</b> .....	11
Cheesemelter .....	11
Salamander .....	11
Service .....	11
<b>Section 4: Warranty</b> .....	12

# Installation

## Installation Procedure

### Uncrating

Check the crate for any possible damage sustained during transit. Carefully remove the appliance, removing all packing material, again check for damage. Any damage to the appliance must be reported to the carrier immediately.

### Location

Proper placement of the appliance will ensure operator convenience and satisfactory performance. Adequate clearance must be maintained so that the combustion and ventilation air is not obstructed for proper operation. A minimum front clearance of 36 inches (914 mm) must be provided for servicing. The appliance must be kept free and clear of combustible materials.

### Placing Appliance

Both the Cheesemelter and Salamander Broiler can be wall mounted, range mounted or mounted on an island cooking suite.



Never install a Cheesemelter or Salamander over a Broiler, could cause damage to unit and will void the warranty.

## Clearances

The following minimum clearances must be followed:

Model	COMBUSTIBLE		NON-COMBUSTIBLE	
	BACK	SIDE	BACK	SIDE
V36SM	6"	16"	0	0
VxxCM	6"	16"	0	0

### Important

Minimum clearance from the bottom of the Cheesemelter or Salamander to a cooking surface is 18".

## Leveling

For proper and safe operation each appliance must be level.

Wall mounted appliances; wall bracket must be mounted level, horizontally, on a wall that will adequately support the weight of the appliance; appliance will sit level on bracket horizontally. See instructions that come with wall bracket.

Counter model only; Legs are mounted using four hex head bolts per leg and each leg is adjustable simply by turning the inner cylinder leg, clockwise to lower and counter clockwise to elevate. A carpenter's level can be used on the top for leveling.

When mounted on an oven or cabinet base; legs are mounted using four hex head bolts per leg and each leg is adjustable simply by turning the inner cylinder leg, clockwise to lower and counter clockwise to elevate.

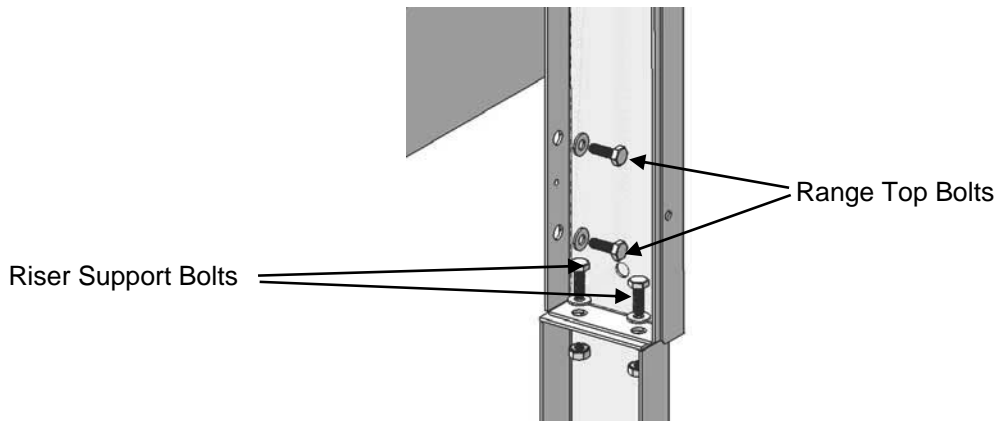
Optional; casters are mounted using four hex head bolts per caster; locking casters must be installed on the front and non-locking on the back. Adjustable casters, the unit can be leveled by loosening the two set screws in the collar on each caster and turning the collar clockwise to lower and counter clockwise to elevate. Be sure to retighten the two set screws on each caster when unit is level to maintain proper adjustment.

**Note:**

When mounted on an oven or cabinet base a carpenter's level can be used on the plate shelf for left to right leveling, if the unit has Open Burners, French top, Hot Top, Work Top or Griddle a level can be placed on the flat top surface for front to rear leveling; on units with broilers use the oven rack for front to rear leveling.

**Riser Installation**

- 1) Remove back panel from riser assembly by removing mounting screws
- 2) Remove the four bolts at the rear of the cook top / work top holding on the side panels (two on each side, see diagram below)
- 3) Place riser on support brackets on back of oven, cabinet or refrigeration base
- 4) Reinstall the four bolts into the back of the cook top / work top through the riser channels, do not tighten
- 5) Attach the bottom supports with supplied bolts, four on each side
- 6) Tighten the four bolts that attach riser to cook top / work top
- 7) Tighten the eight bolts that attach riser to bottom supports
- 8) Reinstall back cover



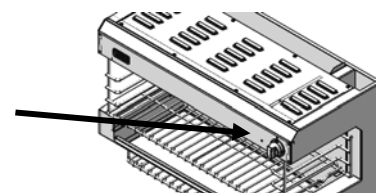
**Note:**

Failure to reinstall back cover could cause improper venting of exhaust gases from oven and cook tops creating soot to clog burner(s) and flue

**Model / Serial / Data Plate Locations**

Cheesemelter and Salamander

located behind front panel on right side



## Statutory Regulations

The installation of this appliance must be carried out by a properly trained and qualified installer and in accordance with the relevant regulations, codes of practice and the related publications of the Country, State, County and City of destination.

### In the United States of America:

- 1) Local Codes
- 2) National Fuel Gas Code ANSI Z223.1 or latest edition. Copies may be obtained from the American Gas Association, Inc., on their web site: <http://www.aga.org/>
- 3) National Electrical Code, ANSI/NFPA-70, or latest edition. Copies may be obtained from the National Fire Protection Association, on their web site: <http://www.nfpa.org/>
- 4) Vapor Removal From Cooking Equipment, NFPA-96, or latest edition. Copies may be obtained from the National Fire Protection Association, on their web site: <http://www.nfpa.org/>

### In Canada:

- 1) Local Codes
- 2) CSA B149.1 Natural Gas and Propane Installation Code.
- 3) CSA C22.1 Canadian Electrical Code
- 4) CSA C22.2 Canadian Electrical Code

Canadian codes can be found on the CSA website: <http://www.csa.ca>

## Appliances Equipped with Casters

### Note:

The front casters of the appliance are equipped with brakes to limit movement of the appliance without depending on the connector and any quick-disconnect device or its associated piping to limit the appliance movement.

- 1) The installation shall be made with a connector that complies with the Standard for Connectors for Movable Gas Appliances, ANSI Z21.69/CSA 6.16, (or latest edition), and a quick-disconnect device that complies with Standard for Quick Disconnect of Use with Gas Fuel, ANZI Z21.41/CSA 6.9, (or latest edition).
- 2) Adequate means must be provided to limit the movement of the appliance without depending on the connector and the quick-disconnect device or its associated piping to limit the appliance movement. (see fig. 1)

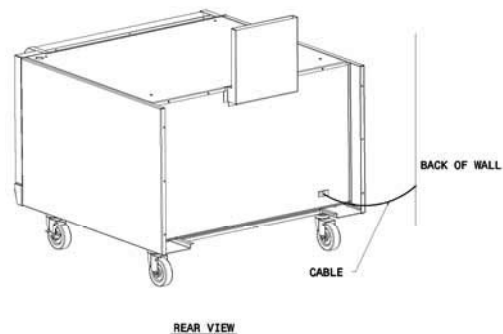


Fig. 1

### Note:

Please be aware, required restraint is attached to a bracket, and if disconnection of the restraint is necessary, be sure to reconnect the restraint after the appliance has been returned to its original installed position

## Gas Supply

The local gas authority should be consulted at the installation planning stage in order to establish the availability of an adequate supply of gas and to ensure that the meter is adequate for the required flow rate. The pipe work from the meter to the appliance must be an appropriate size. (See Chart at end)

All fixed (non-mobile) appliances must be fitted with an accessible upstream gas shut off valve as a means of isolating the appliance for emergency shut off and for servicing. A union or similar means of disconnection must be provided between the gas-cock and the appliance.

A manually operable valve must be fitted to the gas supply to the kitchen to enable it to be isolated in an emergency. Wherever practical, this shall be located either outside the kitchen or near to an exit in a readily accessible position.

Where it is not practical to do this, an automatic isolation valve system shall be fitted which can be operated from a readily accessible position near to the exit.

In locations where the manual isolation valve is fitted or the automatic system can be reset this notice must be posted:

**“ALL DOWNSTREAM BURNER AND PILOT VALVES MUST BE TURNED OFF PRIOR TO ATTEMPTING TO RESTORE THE SUPPLY. AFTER EXTENDED SHUT OFF, PURGE BEFORE RESTORING GAS”**

### Gas Supply Notes

Before assembly and connection, check gas supply.

- The type of gas for which the unit is equipped is stamped on the data plate, see locations chart. Connect a unit stamped “Natural” only to natural gas and stamped “Propane” only to propane gas.
- If it is a new installation, have the gas authorities check the meter size and piping to assure that the unit is supplied with the necessary amount of gas supply and pressure to operate the unit(s).
- Make certain new piping and connections have been made in a clean manner and have been purged so that piping compound, chips, etc. will not clog pilots, valves or burners. Use pipe joint compound approved for natural and liquefied petroleum gases.

## Gas Pressure Regulator

A gas pressure regulator must be installed to regulate the proper flow of gas to the appliance. The regulator must be installed between the main gas supply line to the unit shut off valve and the appliance and must be accessible for servicing. Proper sizing of the regulator is extremely important, check the BTU rating of the appliance or appliances being regulated by the regulator.

**Note:**

Contact the factory for regulator sizing when multiple appliances are being installed in a line up or island suite configuration and are interconnected using the front manifold connections.

**Note:**

Gas pressure should be checked when the unit is installed and all other equipment on the same line is on. The operating gas pressure must be the same as that specified on the rating plate. If necessary, pressure adjustment may be made at the pressure regulator.

The appliance and its individual shut-off valve must be disconnected from the gas supply piping system during any pressure testing of that system where pressures are in excess of ½ PSIG (3.45KPA)

When test pressures are ½ PSIG (3.45KPA) or less, the range must be isolated from the gas supply system by closing its individual manual shutoff valve.



**WARNING**

**Prior to lighting, check all joints in the gas supply line for leaks. Use soap and water solution. Do not use an open flame. After piping has been checked for leaks, all piping receiving gas should be fully purged to remove air.**



## Ventilation Air

The following notes are intended to give general guidance. For detailed recommendations, refer to the applicable codes in the Country, State, County and City of installation.

- **Do not obstruct the flow of combustion and ventilation air.**

Proper ventilation is critical for optimum performance. The ideal method of ventilating gas fired equipment is the use of properly designed canopy that should extend six inches (152mm) beyond all sides of the appliance (s) and six feet six inches (1981mm) above the floor. Information on the construction and installation of ventilating hoods may be obtained from the standard for "Vapor Removal from Cooking Equipment," NFPA No. 96 (latest edition), available from the National Fire Protection Association, on their web site: <http://www.nfpa.org/>

A strong exhaust will create a vacuum in the room. For an exhaust vent to work properly, replacement air must be equal to the amount of air exhausted. An imbalance between exhaust and replacement air can cause degradation in the appliance's performance.

All gas burners and pilots need sufficient air to operate. Large objects should not be placed in front of the appliance (s) that would obstruct the flow of air into the front.

## Electrical Supply (Where Applicable)

Important- This appliance must be electrically grounded in accordance with local codes, or in the absence of local codes with the National Electrical Code.



**Appliances equipped with a flexible electrical supply cord are provided with a three-prong grounding plug. It is imperative that this plug be connected into a properly grounded three-prong receptacle. If the receptacle is not the proper grounding type, contact an electrician. Do not remove the grounding prong from this plug.**

The convection range is designed for 120 volt power supply 15amp circuit and is provided with a flexible electric supply cord and plug that must be plugged into the proper receptacle. Do not connect the convection range to electrical supply until after gas connections have been made. The wiring diagram for the convection range is located behind the front control panel.

## ***Operator Instruction's***

### **Lighting Instructions**

#### **Cheesemelter, Salamander Broiler**



- 1) Turn main gas supply on
- 2) Turn burner valve knob(s) to the "ON" position for 5 seconds to purge the air in the gas lines, if there is no gas present wait 5 minutes and repeat the operation.
- 3) As soon as gas is present turn the burner valve knob(s) to the "OFF" position
- 4) Using a log lighter, light the pilot (s)
- 5) Wait 3 minutes
- 6) Turn all of the burners on and then off, one at a time, to make sure all of the lines have been purged of air.

For daily shutoff: Turn burner valve knob(s) to the "OFF" position, pilot(s) will remain on.



**WARNING** A 5 minute complete shutoff period is required before the appliance is re-lighted

## **Cleaning and Maintenance**

	<b>CAUTION</b>	<b>TO AVOID RISK OF PERSONAL INJURY, BURNS OR DAMAGING UNIT</b> Allow the unit to cool before washing or rinsing. Hot steam can cause injury. It may also damage the burners. Care should be taken around burner valves to prevent soap/degreaser from getting into valve body and mixing with valve grease
	<b>CAUTION</b>	<b>TO AVOID RISK OF DAMAGING UNIT</b> Do not scrape or spray anything onto the burner at any time. If the burner is scraped and sprayed, the warranty will be void. Do not use any cleaner on burner, cleaners will destroy the tiles. Care should be taken when cleaning surfaces around or near burner to prevent damage to burner. Remove rack to clean.

### **Cheesemelter, Salamander Broiler**

** WARNING** Do not spray any liquid directly into the unit, it could damage ceramic burner and will void the warranty.

- 1) With the burner in the "OFF" position, allow the unit to cool completely.
- 2) Wipe down the outside of the unit with a soft cloth or sponge using warm, mild soapy water solution. Wipe dry immediately.
- 3) Remove rack for cleaning. Rack can be cleaned with warm, mild soapy water solution. Thoroughly dry rack before reinstalling.
- 4) Remove drip tray, can be cleaned in sink with warm, mild soapy water solution. Thoroughly dry tray before reinstalling.
- 5) Wipe down the inside of the unit (bottom, sides, and rear) with a soft cloth or sponge using warm, mild soapy water solution. Wipe dry immediately.
- 6) If there is any grease build-up on the ceramic burner, use a pin needle to open the holes. Turn the burner on, and allow the grease to burn away on its own.

**Important:** DO NOT try to scrape away grease from the burner.

**NOTE:** To maintain luster of stainless steel surfaces apply a thin coat of stainless steel cleaner and wipe with a clean cotton cloth.

### **All Gas Fired Appliances**

- Inspect flue for grease and debris build up periodically, a dirty or plugged flue could cause unit to not operate properly and allow build up of soot creating an unsafe environment.
- Remove any debris from flue opening, have a qualified technician and or cleaning service clean flue of any excess grease.

### **Service**

**All warranty and non warranty repairs should be performed by qualified service personnel. To locate authorized service in your area contact your dealer, consultant or the manufacture.**

**Viking Commercial Products Division  
(877) 307-8877**

## **VIKING COMMERCIAL PRODUCTS**

Division of Viking Range Corporation

### **LIMITED WARRANTY**

#### **WARRANTY TERMS AND CONDITIONS:**

This Limited Warranty, which is provided by Viking Range Corporation (hereafter "Viking"), applies *solely and exclusively to the original purchaser only* (hereafter "Purchaser") of a new Viking Commercial Product that has been purchased and installed in the United States or Canada (hereafter "Product"). No oral or written representation or commitment given by anyone, including, but not limited to, an employee, representative or agent of Viking shall create a warranty or in any way increase the scope of this express Limited Warranty and shall not form a part of the basis of the bargain.

**In order to enjoy the legal rights and benefits of this Limited Warranty, the Purchaser must be able to provide upon request the sales order upon which should appear (i) the name and address of the Purchaser, (ii) proof that the Product was purchased in the country where the Limited Warranty claim or request for assistance is being made, (iii) the date of the purchase, and (iv) the model number of the Product.**

#### **WHAT IS WARRANTED AND FOR HOW LONG:**

The Limited Warranty expires after the first thirty (30) months from the date of manufacture (see product serial number to determine the date your Product was manufactured, the first six numbers represent the month – day – year the product was manufactured). The Product's components, which are its operating parts, are warranted not to fail as a result of defects in materials or workmanship in normal use for a period of two (2) years from the date of purchase. The Product's glass (including light bulbs), painted items, and decorative items are warranted not to fail as a result of defects in materials or workmanship in normal use for a period of ninety (90) days from the date of purchase. The Product's cast-iron grate, radiant, stainless steel radiant, and briquettes are warranted not to fail as a result of defects in materials or workmanship in normal use for a period of one hundred eighty (180) days from the date of purchase. Viking agrees to repair or replace, at its option, the above warranted parts or items that fails due to defects in materials or workmanship during the warranted period.

To obtain warranty service, the Purchaser must contact the dealer from whom the Product was purchased, an authorized agent or representative of the Viking Commercial Service Network or Viking (see owners manual, provided with product, for contact information).

#### **WHAT IS NOT COVERED BY THIS LIMITED WARRANTY:**

**By way of example and not limitation, this Limited Warranty does not cover and Viking will not be responsible for and will not pay for:** (a) color variations in color finishes, and (b) failure or damage from abuse, accident, fire, natural disaster, loss of electrical power or gas supply to the Product, alteration, outdoor use, improper installation, improper operation, improper repair or replacement, service by someone other than an authorized agent or representative of the Viking Commercial Service Network, exposing the Product to a corrosive atmosphere containing chlorine, fluorine, or any other damaging chemicals or not providing normal care and maintenance. In addition, if the Purchaser discovers or should have discovered a defect in which it is reasonable to conclude that either personal, property or economic damage may result and the Purchaser's continued use of the Product shall constitute an assumption of the risk by the Purchaser and a bar to any recovery for breach of this Limited Warranty. Purchaser is responsible for making the Product reasonably accessible for service or for paying the cost to make the Product reasonably accessible for service. Under the terms of this Limited Warranty, service is to be provided during normal business hours of the authorized Viking Commercial Service Provider. The difference between regular rates and overtime or premium rates shall be paid by the Purchaser. Purchaser is to pay the costs related to travel beyond 50 miles (one way) from the nearest authorized Viking Commercial Service Provider.

#### **REMEDY FOR BREACH OF LIMITED WARRANTY OR NEGLIGENCE:**

**PURCHASER'S SOLE AND EXCLUSIVE REMEDY FOR ANY BREACH OF THIS LIMITED WARRANTY OR NEGLIGENCE BY VIKING SHALL BE REPAIR OR REPLACEMENT OF THE DEFECTIVE PART.**

#### **IMPORTANT DISCLAIMERS:**

**EXCEPT AS EXPRESSLY SET FORTH IN THIS LIMITED WARRANTY, THE PRODUCT IS PROVIDED TO PURCHASER "AS IS". THIS LIMITED WARRANTY IS EXCLUSIVE AND IN LIEU OF ALL OTHER WARRANTIES, EXPRESS OR IMPLIED, INCLUDING BUT NOT LIMITED TO ANY IMPLIED WARRANTIES OF MERCHANTABILITY OR FITNESS FOR A PARTICULAR PURPOSE OR OTHER STATUTORY WARRANTIES, WHICH WARRANTIES ARE EXPRESSLY DISCLAIMED HEREBY. ANY IMPLIED WARRANTIES WHICH MAY NOT BE DISCLAIMABLE BY STATUTE SHALL LAST ONLY FOR THE TERM OF THE EXPRESS LIMITED WARRANTY CONTAINED HEREIN. IN NO EVENT SHALL THIS LIMITED WARRANTY BE CONSTRUED TO COVER, NOR SHALL VIKING BE LIABLE TO PURCHASER OR ANY OTHER PERSON FOR, ANY CONSEQUENTIAL, INCIDENTAL, ECONOMIC, DIRECT, INDIRECT, GENERAL OR SPECIAL DAMAGES, WHICH ARE HEREBY EXPRESSLY DISCLAIMED.**

Some states do not allow the exclusion or limitation of incidental or consequential damages or do not allow limitations on how long an implied warranty or condition lasts, so the above limitations or exclusions may not apply to you.

Any questions about this Limited Warranty may be directed to Viking Commercial Products at (877) 307-8877.

**Installation Date:** \_\_\_\_\_

**Model Number:** \_\_\_\_\_

**Serial Number:** \_\_\_\_\_

**Notes:**

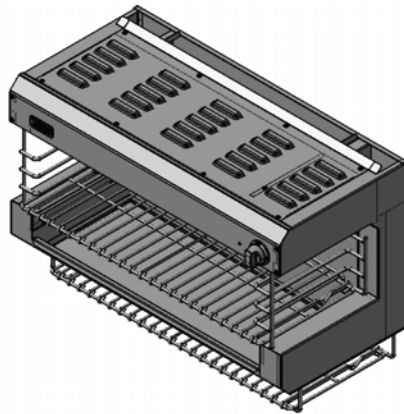




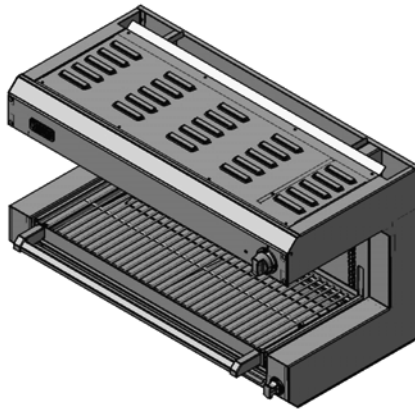
## *Guide d'installation et d'utilisation*

### Modèles

**Salamandre**  
Série VxxCM



**Grilloir à salamandre**  
V36SM



Viking Range Corporation  
Commercial Products Div.  
111 Front Street  
Greenwood, MS 38930  
(877) 307-8877

## **IMPORTANT POUR LA SÉCURITÉ**

**CE MANUEL A ÉTÉ PRÉPARÉ À L'INTENTION DU PERSONNEL QUALIFIÉ POUR INSTALLER LE MATÉRIEL ÉLECTRONIQUE, QUI DOIT PROCÉDER À LA MISE EN SERVICE INITIALE ET AU RÉGLAGE EN CLIENTÈLE DU MATÉRIEL DONT TRAITÉ CE MANUEL.**

**AFFICHER DANS UN ENDROIT BIEN EN VUE LES INSTRUCTIONS À SUIVRE EN CAS DE PERCEPTION D'UNE ODEUR DE GAZ. IL EST POSSIBLE DE SE PROCURER CES INFORMATIONS AUPRÈS DU FOURNISSEUR DE GAZ LOCAL.**

## **IMPORTANT**

**EN CAS DE PERCEPTION D'UNE ODEUR DE GAZ, ÉTEINDRE L'APPAREIL EN FERMANT LE ROBINET DE SECTIONNEMENT PRINCIPAL ET CONTACTER LA COMPAGNIE DU GAZ OU LE FOURNISSEUR DE GAZ LOCAL POUR FAIRE EFFECTUER LA RÉPARATION.**

## **POUR GARANTIR LA SÉCURITÉ**

**NE PAS ENTREPOSER NI UTILISER DE L'ESSENCE NI D'AUTRES VAPEURS OU LIQUIDES INFLAMMABLES AU VOISINAGE DE CET APPAREIL OU DE TOUT AUTRE.**

## **AVERTISSEMENT**

**UNE INSTALLATION, UN RÉGLAGE, UNE MODIFICATION, UNE RÉPARATION OU UN ENTRETIEN INCORRECT PEUT CAUSER DES DÉGÂTS MATÉRIELS ET DES BLESSURES GRAVES, VOIRE MORTELLES. LIRE ATTENTIVEMENT LES INSTRUCTIONS D'INSTALLATION, D'UTILISATION ET D'ENTRETIEN AVANT D'INSTALLER OU DE RÉPARER CET APPAREIL.**

**NE PAS ESSAYER DE SE SERVIR DE CET APPAREIL EN CAS DE PANNE DE SECTEUR.**



<b>Section 1 : Installation</b> .....	4
<b><u>Méthode d'installation</u></b> .....	4
Déballage .....	4
Implantation .....	4
Dégagements .....	4
Socle .....	5
Emplacement de la plaque signalétique .....	5
<b><u>Mise à niveau</u></b> .....	4
<b><u>Réglementation applicable</u></b> .....	6
États-Unis d'Amérique .....	6
Canada .....	6
<b><u>Appareils montés sur roulettes</u></b> .....	6
<b><u>Alimentation en gaz</u></b> .....	7
Régulateur de pression de gaz .....	8
<b><u>Air d'évacuation</u></b> .....	9
<b><u>Alimentation électrique</u></b> .....	9
<b>Section 2 : Instructions d'utilisation</b> .....	10
<b><u>Instructions d'allumage</u></b> .....	10
Salamandre .....	10
Grilloir à salamandre .....	10
<b>Section 3 : Nettoyage et entretien</b> .....	11
Salamandre .....	11
Grilloir à salamandre .....	11
Réparation .....	11
<b>Section 4 : Garantie</b> .....	12

# Installation

## Méthode d'installation

### Déballage

Examiner la caisse pour voir si elle a été endommagée pendant le transport. En retirer l'appareil avec précaution en enlevant tout le matériel d'emballage et voir s'il est endommagé. Tout dégât subi par l'appareil doit être immédiatement signalé au transporteur.

### Implantation

Une implantation correcte de l'appareil garantira la commodité d'utilisation et des performances satisfaisantes. Un dégagement suffisant doit être maintenu pour ne pas gêner la circulation de l'air de combustion et d'évacuation et permettre ainsi un fonctionnement correct. Un dégagement d'au moins 914 mm (36 po) doit être prévu à l'avant pour faciliter la réparation. L'appareil doit rester libre de matières combustibles et à l'écart de celles-ci.

### Mise en place de l'appareil

La salamandre et le grilloir à salamandre peuvent tous deux être montés sur un mur, une cuisinière ou un ensemble d'appareils installés en carré.

### AVERTISSEMENT

**Ne jamais installer une salamandre ou un grilloir à salamandre sur un grilloir car cela pourrait endommager l'appareil et annulera la garantie.**

## Dégagements

Les dégagements minima suivants doivent être respectés :

Modèle	SURFACES COMBUSTIBLES		SURFACES INCOMBUSTIBLES	
	ARRIÈRE	CÔTÉS	ARRIÈRE	CÔTÉS
V36SM	15 cm (6 po)	40 cm (16 po)	0	0
VxxCM	15 cm (6 po)	40 cm (16 po)	0	0

### **Important**

Le dégagement minimum de la salamandre ou du grilloir à salamandre à la surface de cuisson est de 46 cm (18 po).

## Mise à niveau

Pour bien fonctionner en toute sécurité, chaque appareil doit être à niveau.

Appareils montés sur un mur : monter le support mural à niveau, horizontalement sur un mur qui supportera adéquatement le poids de l'appareil ; l'appareil doit reposer horizontalement sur le support. Voir les instructions jointes au support mural.

Modèle de plan de travail seulement : chaque pied est monté au moyen de quatre boulons à tête hexagonale et il suffit, pour le régler, de tourner son élément intérieur dans le sens horaire pour abaisser l'appareil ou dans le sens antihoraire pour le relever. On peut utiliser un niveau de menuisier placé sur le dessus pour effectuer la mise à niveau.

En cas de montage sur une base de four ou de caisse, chaque pied est monté au moyen de quatre boulons à tête hexagonale et il suffit, pour le régler, de tourner son élément intérieur dans le sens horaire pour abaisser l'appareil ou dans le sens antihoraire pour le relever.

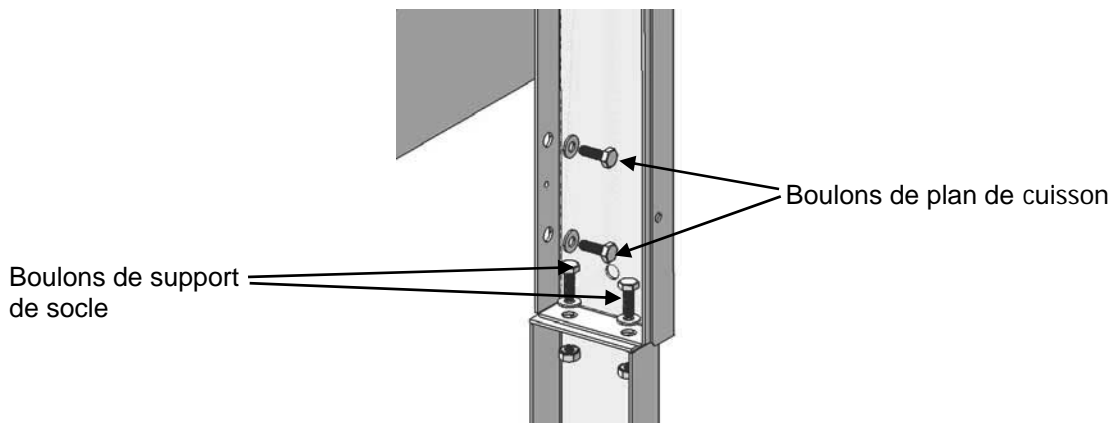
En option : chaque roulette est montée au moyen de quatre boulons à tête hexagonale ; les roulettes freinables doivent se monter à l'avant et les autres à l'arrière. Roulettes réglables : l'unité peut être mise à niveau en desserrant les deux vis de pression du collet de chaque roulette et en tournant celui-ci dans le sens horaire pour abaisser l'appareil et dans le sens antihoraire pour le relever. Veiller à resserrer les deux vis de pression de chaque roulette une fois que l'appareil est à niveau pour maintenir le réglage correct.

#### Remarque :

En cas de montage sur la base d'un four ou d'une caisse, on peut utiliser un niveau de menuisier placé sur la tablette pour effectuer la mise à niveau dans le sens transversal ; pour effectuer la mise à niveau dans le sens longitudinal, on peut placer un niveau sur la surface plate si l'appareil est équipé de brûleurs découverts, d'un plan de cuisson à la française, d'une plaque chauffante, d'un plan de travail ou d'une galettière, ou sur le plateau de cuisson si l'appareil est équipé de grilloirs ou d'un double four.

#### Installation du socle

- 1) Enlever les vis de montage pour retirer le panneau arrière du socle
- 2) Enlever les quatre boulons de l'arrière du plan de cuisson ou plan de travail retenant les panneaux latéraux (deux de chaque côté, voir le schéma ci-dessous)
- 3) Placer le socle sur les supports à l'arrière de la base de four, de caisse ou de réfrigération
- 4) Remettre les quatre boulons dans l'arrière du plan de cuisson ou plan de travail en passant par les rainures du socle, ne pas serrer
- 5) Fixer les supports inférieurs avec les boulons fournis, quatre de chaque côté
- 6) Serrer les quatre boulons qui fixent le socle au plan de cuisson ou plan de travail
- 7) Serrer les huit boulons qui fixent le socle aux supports inférieurs
- 8) Remettre le couvercle arrière

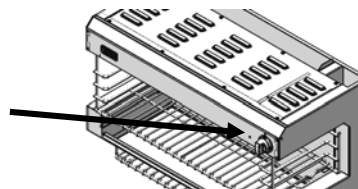


#### Remarque :

Si le couvercle arrière n'est pas remis en place, la ventilation des gaz de combustion provenant du four et des plans de cuisson risque d'être inadéquate, causant la formation de suie qui bouche le(s) brûleur(s) et le conduit d'évacuation.

#### Emplacement des plaques de n° de modèle / signalétique

Salamandre et grilloir à salamandre  
panneau avant



## Réglementation applicable

L'installation de cet appareil doit être effectuée par un installateur qualifié formé à cet effet conformément à la réglementation et au code de déontologie applicables ainsi qu'aux documents relatifs à cette opération publiés par les diverses administrations compétentes.

### Aux États-Unis d'Amérique :

- 1) Codes locaux
- 2) National Fuel Gas Code (Code national des gaz combustibles) ANSI Z223.1 ou édition la plus récente. Il est possible de s'en procurer des copies auprès de l'American Gas Association, Inc., sur son site Web : <http://www.aga.org/>
- 3) National Electrical Code (Code national de l'électricité), ANSI/NFPA-70, ou édition la plus récente. Il est possible de s'en procurer des copies auprès de la National Fire Protection Association, sur son site Web : <http://www.nfpa.org/>
- 4) Vapor Removal From Cooking Equipment (Évacuation des vapeurs des appareils de cuisson), NFPA-96, ou édition la plus récente. Il est possible de s'en procurer des copies auprès de la National Fire Protection Association, sur son site Web : <http://www.nfpa.org/>

### Au Canada :

- 1) Codes locaux
- 2) CSA B149.1, Natural Gas and Propane Installation Code (Code des installations à gaz naturel et propane).
- 3) CSA C22.1, Canadian Electrical Code (Code électrique canadien)
- 4) CSA C22.2, Canadian Electrical Code (Code électrique canadien)

On peut trouver les codes canadiens sur le site Web de la CSA : <http://www.csa.ca>

## Appareils montés sur roulettes

### Remarque :

Les roulettes avant de l'appareil sont pourvues de freins destinés à limiter le déplacement sans qu'il soit nécessaire de compter sur le connecteur et tout raccord à débranchement rapide ou la tuyauterie associée à celui-ci pour le faire.

- 1) L'installation doit être effectuée en utilisant raccord conforme à la norme applicable aux appareils à gaz mobiles (Standard for Connectors for Movable Gas Appliances, Z21.69/CSA 6.16 ou édition plus récente) et raccord à débranchement rapide conforme à norme applicable à ce type de dispositif pour combustible gazeux (Standard for Quick Disconnect of Use with Gas Fuel, ANSI Z21.41/CSA 6.9 ou édition plus récente)
- 2) Des moyens adéquats doivent être prévus limiter le déplacement de l'appareil sans qu'il soit nécessaire de compter sur le connecteur ni raccord à débranchement rapide ou la tuyauterie associée à celui-ci pour le faire. (voir Fig. 1)

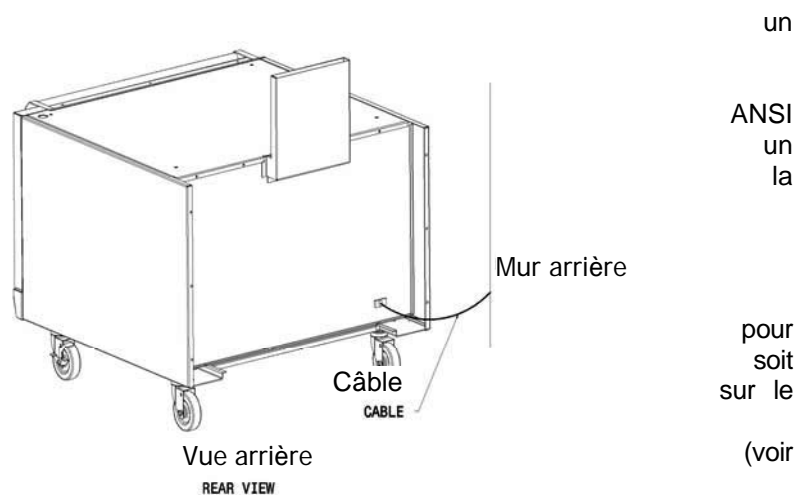


Fig. 1

### Remarque :

Ne pas oublier que le dispositif de retenue exigé est fixé à un support et, s'il s'avère nécessaire de détacher ce dispositif, veiller à le rattacher une fois que l'appareil a été remis dans sa position d'origine.

## Alimentation en gaz

Consulter la compagnie du gaz locale lors de la phase de planification de l'installation afin de confirmer la possibilité de disposer d'une alimentation en gaz suffisante et de s'assurer que le compteur a une capacité adaptée au débit nécessaire. La canalisation reliant le compteur à l'appareil doit être d'un diamètre approprié. (Voir le tableau plus loin.)

Tous les appareils fixes (installés à demeure) doivent être pourvus d'un robinet de coupure de gaz amont accessible permettant de les isoler en cas d'arrêt d'urgence et de réparation. Un raccord union ou un dispositif de débranchement comparable doit être prévu entre de robinet du gaz et l'appareil.

Une vanne à commande manuelle doit être posée sur l'alimentation en gaz de la cuisine pour permettre d'isoler celle-ci en cas d'urgence. Lorsque c'est possible, elle doit se trouver à l'extérieur de la cuisine ou près d'une sortie dans un endroit aisément accessible.

Lorsqu'une telle solution n'est pas pratique, prévoir un système à vanne d'isolement automatique qui peut être commandé depuis un endroit aisément accessible proche de la sortie.

L'avis suivant doit être affiché à l'endroit où la vanne d'isolement manuelle est posée ou le système automatique peut être réinitialisé :

**« PRIÈRE DE FERMER TOUS LES ROBINETS DE BRÛLEURS ET DE VEILLEUSES POSÉS EN AVAL AVANT DE RÉTABLIR L'ALIMENTATION. À L'ISSUE D'UNE PÉRIODE DE COUPURE PROLONGÉE, PURGER AVANT DE RÉTABLIR L'ALIMENTATION EN GAZ. »**

### Remarques concernant l'alimentation en gaz

Vérifier l'alimentation en gaz avant de procéder à l'assemblage et au raccordement.

- Le type de gaz pour lequel l'appareil est conçu est gravé sur la plaque signalétique (voir le tableau des emplacements). Raccorder un appareil uniquement au gaz naturel si « Natural » est gravé sur sa plaque ou au gaz propane si c'est « Propane » qui est gravé.
- S'il s'agit d'une nouvelle installation, demander à la compagnie du gaz de vérifier la capacité du compteur et la tuyauterie pour s'assurer que le débit et la pression du gaz alimentant le ou les appareils sont suffisants pour faire fonctionner ceux-ci.
- S'assurer que la tuyauterie et les raccords neufs ont été posés dans de bonnes conditions de propreté et qu'ils ont été purgés de façon à ce que les veilleuses, robinets et brûleurs ne soient pas obstrués par de la pâte à joint, des débris, etc. Utiliser de la pâte à joint agréée pour le gaz naturel et celui de pétrole liquéfié.

## Régulateur de pression de gaz

Un régulateur de pression de gaz doit être posé pour régler le débit du gaz alimentant l'appareil. Il doit être posé entre la conduite principale d'alimentation en gaz reliée au robinet de coupure de l'appareil et ce dernier, ainsi qu'être accessible à des fins de réparation. Il est très important que le régulateur ait une capacité correcte ; vérifier la puissance calorifique nominale du ou des appareils desservis par le régulateur.

### Remarque :

S'adresser à l'usine pour la capacité de régulateur nécessaire lorsque plusieurs appareils sont installés dans une configuration en ligne ou en carré et sont reliés les uns aux autres au moyen des raccords de collecteur avant.

### Remarque :

Contrôler la pression du gaz lorsque l'appareil est installé et que tous ceux qui sont reliés à la même conduite sont allumés. La pression de fonctionnement du gaz doit être celle qui est spécifiée sur la plaque signalétique. La pression peut, si nécessaire, être réglée au niveau du régulateur de pression.

L'appareil et son robinet de coupure individuel doivent être débranchés de la tuyauterie d'alimentation en gaz pendant tout contrôle de pression de ce circuit à des pressions d'essai dépassant 3,45 kPa (½ PSIG).

Lorsque les pressions d'essai ne dépassent pas 3,45 kPa (½ PSIG), isoler l'appareil du circuit d'alimentation en gaz en fermant son robinet manuel de coupure individuel.



**Avant d'allumer l'appareil, contrôler l'étanchéité de tous les joints de la conduite d'alimentation en gaz. Utiliser de l'eau savonneuse. Ne pas utiliser une flamme nue. Une fois que l'étanchéité de la tuyauterie a été contrôlée, purger toute celle qui reçoit du gaz de tout l'air qui s'y trouve.**

## Air d'évacuation

Les remarques qui suivent ont pour but de donner des conseils généraux. Pour des recommandations détaillées, consulter tous les codes applicables dans le lieu d'installation.

- **Ne pas gêner la circulation de l'air de combustion et d'évacuation.**

Une bonne évacuation est cruciale pour l'optimisation des performances. La méthode idéale d'évacuation pour les appareils à gaz consiste à utiliser une hotte bien conçue dépassant de 152 mm (6 po) de tous les côtés du ou des appareils et placée à une hauteur de 1981 mm (6 pi 6 po) au-dessus du plancher. On peut obtenir des informations sur la conception et l'installation des hottes en consultant la norme d'évacuation des vapeurs des appareils de cuisson (« Vapor Removal from Cooking Equipment », NFPA n° 96, dernière édition) que l'on peut trouver sur le site Web de la National Fire Protection Association : <http://www.nfpa.org/>.

Une évacuation puissante créera une dépression dans la pièce. Pour que l'évacuation fonctionne correctement, le volume d'air de remplacement doit être égal à celui de l'air évacué. Un déséquilibre entre l'air évacué et celui de remplacement peut nuire au rendement de l'appareil.

Tous les brûleurs et veilleuses à gaz ont besoin de suffisamment d'air pour fonctionner. Ne pas placer devant le ou les appareils des objets volumineux qui gêneraient la pénétration de l'air dans le devant de l'appareil.

## Alimentation électrique (le cas échéant)

Important- Cet appareil doit être mis à la terre conformément aux codes locaux ou, en leur absence, au Code électrique national.



**Les appareils pourvus d'un cordon souple d'alimentation sont fournis avec une fiche tripolaire de mise à la terre. Cette fiche doit être impérativement branchée dans une prise tripolaire correctement mise à la terre. Si la prise n'est pas du type à mise à la terre approprié, s'adresser à un électricien. Ne pas enlever la broche de mise à la terre de cette fiche.**

Le four à convection est conçu pour un circuit d'alimentation de 120 V et 15 A ; il est pourvu d'un cordon souple d'alimentation dont la fiche doit être branchée dans la prise correcte. Ne pas raccorder le four à convection à l'alimentation électrique tant que les raccordements à l'alimentation en gaz n'ont pas été effectués. Le schéma de câblage du four à convection se trouve derrière le panneau de commande avant.

## **Instructions d'utilisation**

### **Instructions d'allumage**

#### **Salamandre, grilloir à salamandre**

- 1) Ouvrir l'alimentation en gaz principale
- 2) Tourner la ou les manettes de brûleur en position « ON » (marche) pendant 5 secondes pour purger les conduites de gaz de l'air qui s'y trouve ; en l'absence de gaz, attendre 5 minutes et répéter l'opération
- 3) Dès que du gaz est présent, tourner la ou les manettes de brûleur en position « OFF » (arrêt)
- 4) Allumer la ou les veilleuses à l'aide d'un allumeur de bûches
- 5) Attendre 3 minutes
- 6) Allumer tous les brûleurs puis les éteindre un par un pour s'assurer que toutes les conduites ont été purgées de l'air qui s'y trouvait

Arrêt quotidien : Tourner la ou les manettes de brûleur en position « OFF » (arrêt) ; la ou les veilleuses restent allumées.





**AVERTISSEMENT**

**Une période d'arrêt complet de 5 minutes est requise avant de rallumer l'appareil.**



## **Nettoyage et entretien**

	<b>ATTENTION</b>	<b>POUR ÉVITER DE SE BLESSER, DE SE BRÛLER OU D'ENDOMMAGER L'ACCESSOIRE</b> Laisser l'accessoire refroidir avant de le laver ou de le rincer. La vapeur brûlante peut causer des blessures. Elle risque également d'endommager les brûleurs. Procéder avec précaution autour des robinets de brûleurs pour empêcher du savon ou du dégraissant de pénétrer dans les corps de robinets et de se mélanger à la graisse de ceux-ci
	<b>ATTENTION</b>	<b>POUR ÉVITER D'ENDOMMAGER L'ACCESSOIRE</b> Ne jamais gratter le brûleur ni pulvériser quoi que ce soit dessus. Un tel grattage ou pulvérisation annulera la garantie. N'utiliser aucun produit nettoyant sur le brûleur ; un tel produit détruira les languettes. Prendre des précautions lorsqu'on nettoie autour du brûleur ou à côté pour éviter de l'endommager. Retirer la grille pour la nettoyer.

### **Salamandre, grilloir à salamandre**



**Ne pas pulvériser de liquide directement sur l'accessoire pour ne pas risquer d'endommager le brûleur céramique et annuler la garantie.**

- 1) Le brûleur étant éteint, laisser l'accessoire refroidir complètement.
- 2) Frotter l'extérieur de l'accessoire avec un chiffon doux ou une éponge imbibé d'une solution d'eau chaude et de savon doux. Essuyer immédiatement pour sécher.
- 3) Retirer la grille pour la nettoyer. On peut la nettoyer avec une solution d'eau chaude et de savon doux. Bien la sécher avant de la remettre en place.
- 4) Enlever la lèchefrite, qui peut être nettoyée dans un évier avec une solution d'eau chaude et de savon doux. Bien la sécher avant de la remettre en place.
- 5) Frotter l'intérieur de l'accessoire (bas, côtés et fond) avec un chiffon doux ou une éponge imbibé d'une solution d'eau chaude et de savon doux. Essuyer immédiatement pour sécher.
- 6) En cas d'accumulation de graisse sur le brûleur céramique, dégager ses trous avec une épingle. Allumer le brûleur et laisser la graisse se consumer d'elle-même.

**Important :**     **NE PAS essayer d'enlever la graisse du brûleur en le grattant.**

**REMARQUE :**     Pour que les surfaces en acier inoxydable restent brillantes, appliquer une mince couche de produit nettoyant pour ce type d'acier et frotter avec un chiffon en coton propre.

### **Tous appareils à gaz**

- Examiner périodiquement le conduit d'évacuation pour voir si de la graisse et des débris se sont accumulés ; un conduit encrassé ou obstrué pourrait empêcher l'appareil de bien fonctionner et permettre à la suie de s'accumuler, ce qui créerait un environnement dangereux.
- Enlever tous les débris de l'ouverture du conduit et faire nettoyer ce dernier par un technicien et/ou service de nettoyage qualifié pour éliminer tout excédent de graisse.

### **Réparation**

**Toutes les réparations dans le cadre de la garantie et en dehors de celle-ci doivent être effectuées par du personnel d'entretien qualifié. Pour localiser un service d'entretien agréé local, l'utilisateur peut s'adresser à son concessionnaire, à sa société de conseil ou au fabricant.**

**Viking Commercial Products Division  
(877) 307-8877**

## **VIKING COMMERCIAL PRODUCTS**

Division de Viking Range Corporation

### **LIMITED WARRANTY**

#### **MODALITÉS DE LA GARANTIE :**

La présente garantie limitée offerte par Viking Range Corporation (ci-après « Viking ») s'adresse *exclusivement au seul acheteur initial* (ci-après « acheteur ») d'un appareil neuf de Viking Commercial Products acheté et installé aux États-Unis ou au Canada (ci-après « produit »). Aucune représentation ni engagement offert oralement ou par écrit par quiconque, y compris, entre autres, un employé, représentant ou agent de Viking, ne créera une garantie ni n'élargira en quoi que ce soit la portée de la présente garantie limitée explicite et ne constituera un des éléments sur lesquels repose la transaction.

**Afin de profiter des droits et avantages de la présente garantie limitée, l'acheteur doit être en mesure de présenter sur demande le bon de commande sur lequel doivent apparaître (i) le nom et l'adresse de l'acheteur, (ii) la preuve que le produit a été acheté dans le pays dans lequel la réclamation ou demande d'assistance au titre de la garantie limitée est présentée, (iii) la date de l'achat et (iv) le numéro de modèle du produit.**

#### **COUVERTURE ET DURÉE DE LA GARANTIE :**

La garantie limitée expire à l'issue des trente (30) premiers mois qui suivent la date de fabrication (voir le numéro de série du produit pour déterminer la date à laquelle il a été fabriqué ; les six premiers chiffres correspondent aux mois – jour – année de fabrication du produit). Les éléments du produit, c'est-à-dire ses organes, sont garantis contre les risques de défaillances résultant de défauts de matière ou de fabrication dans des conditions d'utilisation normales pendant une période de deux (2) ans à compter de la date d'achat. Les éléments en verre (y compris les ampoules), peints et décoratifs du produit sont garantis contre les risques de défaillances résultant de défauts de matière ou de fabrication dans des conditions d'utilisation normales pendant une période de quatre-vingt dix (90) jours à compter de la date d'achat. Les grilles et éléments radiants en fonte, les éléments radiants en acier inoxydable et les briquettes du produit sont garantis contre les risques de défaillances résultant de défauts de matières ou de fabrication dans des conditions d'utilisation normales pendant une période de cent quatre-vingt (180) jours à compter de la date d'achat. Viking convient de réparer ou remplacer, à son choix, les pièces ou éléments garantis énumérés ci-dessus dont la défaillance est due à des défauts de matières ou de fabrication pendant la période de garantie.

Pour obtenir un service au titre de la garantie, l'acheteur doit s'adresser au concessionnaire auquel il a acheté le produit, à un agent ou représentant agréé du réseau de service après-vente de Viking Commercial Products ou à Viking (voir le guide d'utilisation qui accompagne le produit pour des informations sur les services à contacter).

#### **ÉLÉMENTS NON COUVERTS PAR LA PRÉSENTE GARANTIE LIMITÉE :**

**À titre d'exemple mais pas de limitation, les éléments qui suivent ne sont pas couverts par la présente garantie limitée, qui exonère Viking de toute responsabilité financière :** (a) variations affectant les couleurs de la finition et (b) défaillance ou dégâts résultant d'un usage abusif, d'un accident, d'un incendie, d'une catastrophe naturelle, d'une panne de secteur, d'une interruption de l'alimentation en gaz du produit, d'une modification, d'une utilisation en plein air, ainsi que d'une installation, d'une utilisation, d'une réparation ou d'un remplacement incorrects, d'un entretien effectué par quiconque autre qu'un agent ou représentant agréé du réseau de service après-vente de Viking Commercial Products, d'une exposition du produit à une atmosphère corrosive contenant du chlore, du fluor ou tout autre produit chimique nuisible ou de l'absence de soins et d'un entretien normaux. En outre, si l'acheteur s'aperçoit ou aurait dû s'apercevoir d'un défaut dont il est raisonnable de conclure qu'il risque d'entraîner des blessures, des dégâts matériels ou des pertes financières et qu'il continue à utiliser le produit, il sera présumé en assumer le risque et renoncer à toute réparation pour avoir violé les termes de la présente garantie limitée. Il incombe à l'acheteur de prendre des dispositions raisonnables pour faciliter l'accès au produit à des fins d'entretien ou pour prendre en charge les coûts associés aux mesures visant à assurer un tel accès. Aux termes de la présente garantie limitée, l'entretien doit être assuré pendant les heures d'ouverture du réparateur agréé par Viking Commercial Products. La différence entre les tarifs normaux et les tarifs spéciaux ou avec heures supplémentaires est à la charge de l'acheteur. Il incombe à l'acheteur de régler les frais de déplacement lorsque celui dépasse 80 km (50 miles) (aller) depuis l'établissement du réparateur le plus proche agréé par Viking Commercial Products.

#### **RECOURS EN CAS DE VIOLATION DES TERMES DE LA GARANTIE LIMITÉE OU DE NÉGLIGENCE :**

**LE RECOURS EXCLUSIF DE L'ACHETEUR EN CAS DE VIOLATION QUELCONQUE DE LA PRÉSENTE GARANTIE LIMITÉE OU DE NÉGLIGENCE DE LA PART DE VIKING SERA LA RÉPARATION OU LE REMPLACEMENT DE LA PIÈCE DÉFECTUEUSE.**

#### **AVIS IMPORTANTS DE NON-RESPONSABILITÉ :**

**SAUF INDICATION CONTRAIRE EXPLICITE DE LA PRÉSENTE GARANTIE LIMITÉE, LE PRODUIT EST LIVRÉ À L'ACHETEUR « EN L'ÉTAT ». LA PRÉSENTE GARANTIE LIMITÉE EXCLUT, ET SE SUBSTITUE À, TOUTE AUTRE GARANTIE EXPLICITE OU TACITE, Y COMPRIS, ENTRE AUTRES, TOUTE GARANTIE TACITE DE QUALITÉ MARCHANDE OU D'ADAPTATION À UN USAGE PARTICULIER, OU D'AUTRES GARANTIES LÉGALES QUE LE PRÉSENT DOCUMENT REJETTE EXPLICITEMENT. TOUTE GARANTIE TACITE DONT LE REJET EST PROHIBÉ PAR LA LÉGISLATION APPLICABLE NE SERA EN VIGUEUR QUE PENDANT LA DURÉE DE LA GARANTIE LIMITÉE EXPLICITE EXPOSÉE DANS LE PRÉSENT DOCUMENT. LA PRÉSENTE GARANTIE LIMITÉE NE SAURAIT EN AUCUN CAS ÊTRE INTERPRÉTÉE COMME COUVRANT TOUT DOMMAGE INDIRECT, ACCESSOIRE, ÉCONOMIQUE, DIRECT, GÉNÉRAL OU SPÉCIAL REJETÉ EXPLICITEMENT PAR LE PRÉSENT DOCUMENT, NI ENGAGER LA RESPONSABILITÉ DE VIKING ENVERS L'ACHETEUR OU TOUTE AUTRE PERSONNE EN LA MATIÈRE.**

Certaines Provinces peuvent ne pas autoriser l'exclusion ou la limitation des dommages accessoires ou indirects ni la limitation de la durée d'une garantie tacite ou de conditions sous-entendues ; il se peut donc que les limitations ou exclusions énumérées plus haut ne soient pas opposables à l'acheteur.

Adresser toute question relative à la présente garantie limitée à Viking Commercial Products au (877) 307-8877.

**Date d'installation :** \_\_\_\_\_

**Numéro de modèle :** \_\_\_\_\_

**Numéro de série :** \_\_\_\_\_

**Remarques :**

