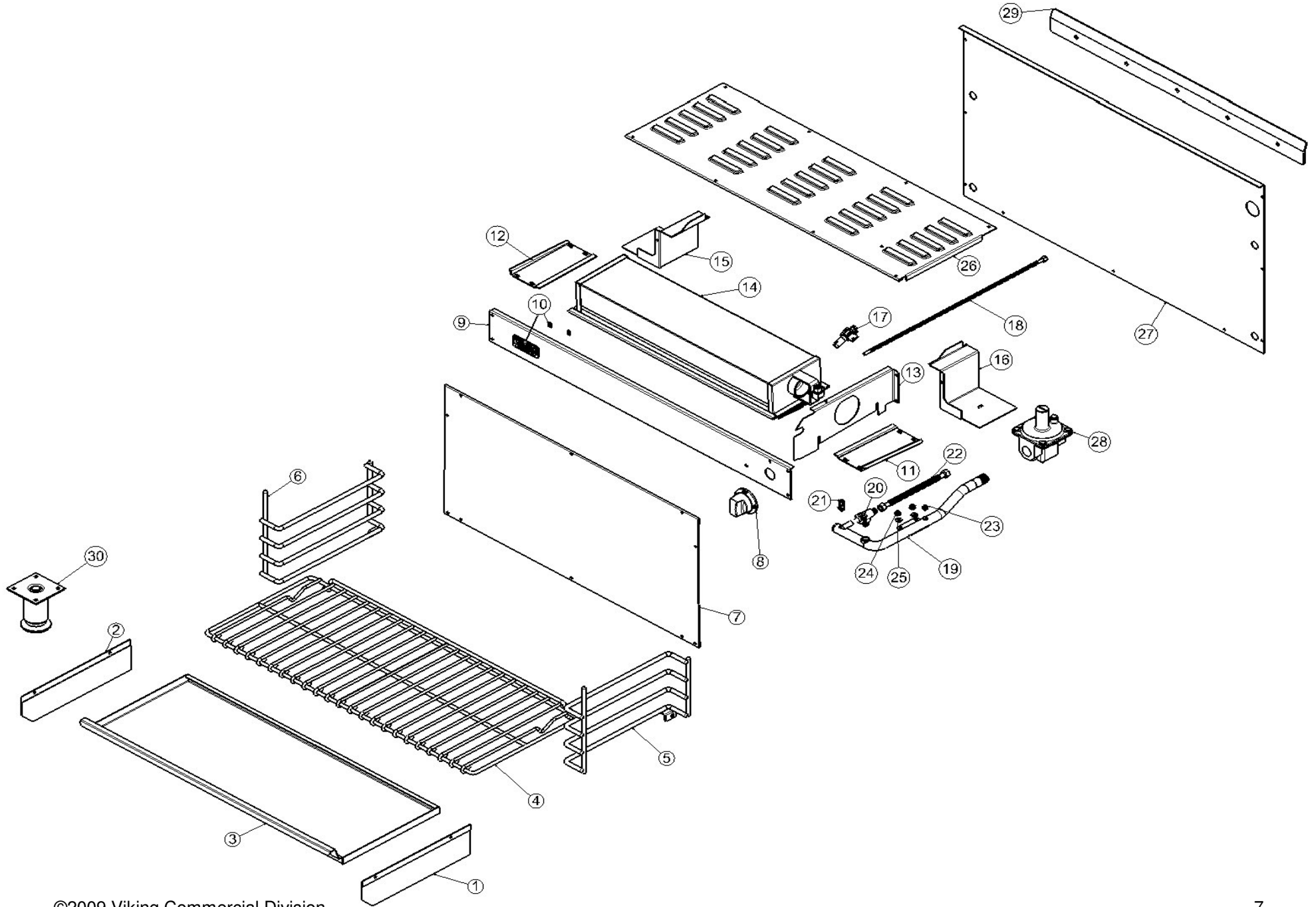


Cheesemelter - 36 - 30 - 24



**Cheesemelter -
R - W - C**

Model

V36CM --

V30CM --

V24CM --

	Part Number	Part Description	QTY	QTY	QTY
1	012866-000	Cover, RH	1	1	1
	PD020033	Screw, Panel	2	2	2
2	012867-000	Cover, LH	1	1	1
	PD020033	Screw, Panel	2	2	2
3	010286-000	Pan, Drip 36"	1		
	016061-000	Pan, Drip 30"		1	
	015687-000	Pan, Drip 24"			1
4	009188-000	Rack 36"	1		
	016064-000	Rack 30"		1	
	015690-000	Rack 24"			1
5	009186-000	Ladder, Rack Support RH	1		1
6	009187-000	Ladder, Rack Support LH	1		1
7	010285-000	Panel, Back Inside 36"	1		
	016059-000	Panel, Back Inside 30"		1	
	015686-000	Panel, Back Inside 24"			1
	PD020033	Screw, Panel	8	8	8
8	011115-000	Knob, On-Off	1	1	1
	004705-000	Set Screw	1	1	1
	004706-000	Screw, Knob	4	4	4
9	011240-000	Panel, Front 36"	1		
	016053-000	Panel, Front 30"		1	
	015693-000	Panel, Front 24"			1
	PD020033	Screw, Panel	4	4	4
10	004728-000	Viking Name Plate	1	1	1
	010480-000	Press Nut	2	2	2
11	011235-000	IR Retainer, RH 36"	1	1	
	016063-000	IR Retainer, RH 24"			1
12	011232-000	IR Retainer, LH 36"	1	1	
	016062-000	IR Retainer, LH 24"			1
13	011227-000	IR Shield	1	1	1
14	010316-000	Burner, IR 24"	1		
	009213-000	Screen	1		
	015788-000	Orifice NG, #41			
	015799-000	Orifice LP, #53			
14	039066-000	Burner, IR 16.6"		1	
	016076-000	Screen		1	
		Orifice NG, #			
		Orifice LP, #			

**Cheesemelter -
R - W - C**

Model

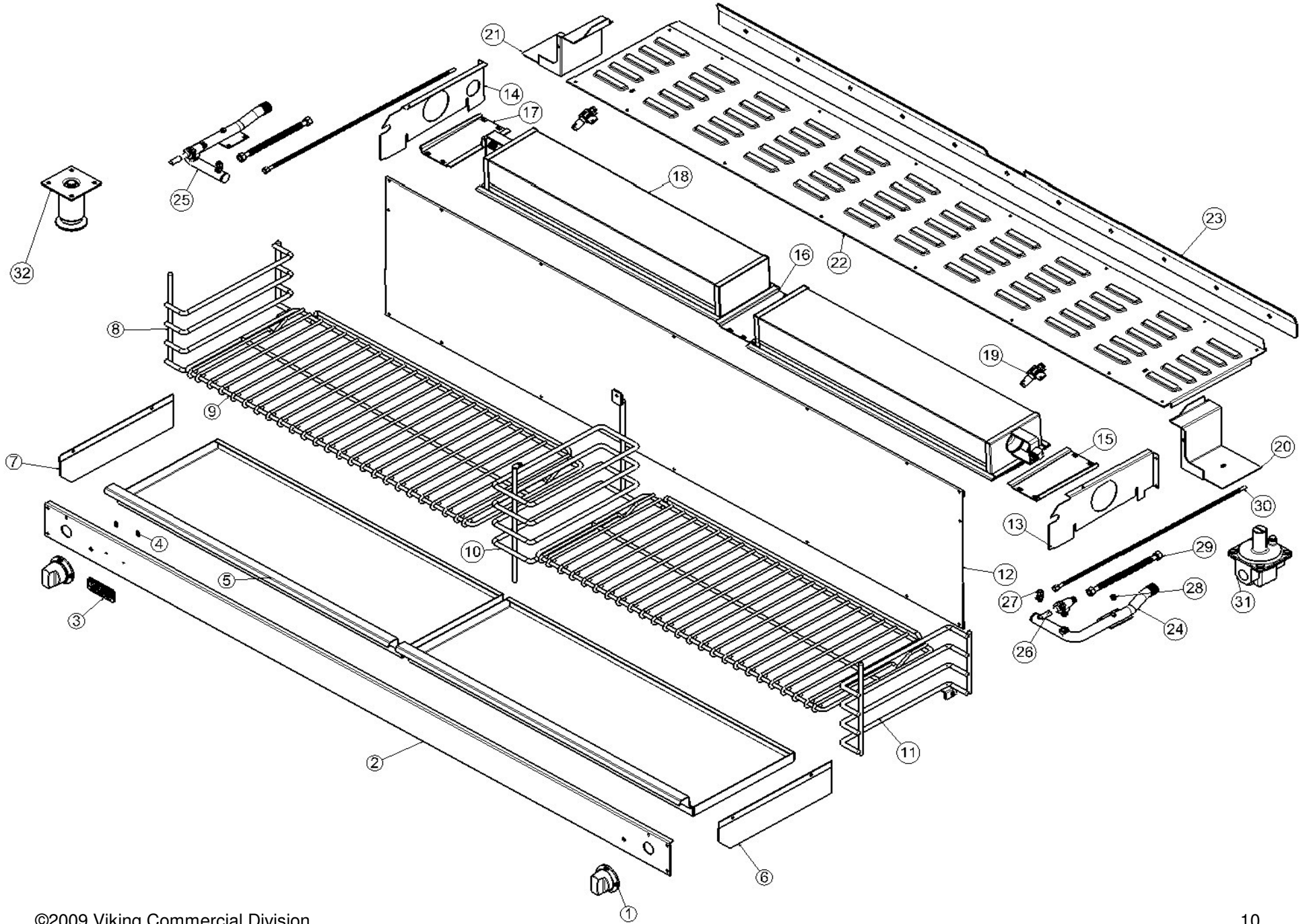
V36CM --

V30CM --

V24CM --

	Part Number	Part Description	QTY	QTY	QTY
14	039062-000	Burner, IR 12.9" W/Screen			1
	015684-000	Screen			1
		Orifice NG, #			
		Orifice LP, #			
15	011014-000	Flue Filler, LH			
16	011010-000	Flue Filler, RH			
17	015191-000	Pilot, CM/SM	1	1	1
18	010477-000	1/4" Flex Tubing, Pilot	1	1	1
19	011271-000	Manifold, CM/SM RT	1	1	1
20	010309-000	Valve, Burner	1	1	1
21	010315-000	Valve, Pilot	1	1	1
22	010476-000	3/8" Flex Tubing, Burner	1	1	1
23	010158-000	Plug, Hex	1	1	1
24	010330-000	Nut, Manifold	2	2	2
25	010539-000	Washer, Manifold	2	2	2
26	015688-000	Panel, Top 24"	1		
	016060-000	Panel, Top 30"		1	
	010297-000	Panel, Top 36"			1
	PD020033	Screw, Panel	9	9	9
27	010302-000	Panel, Back (counter model only)	1		
	016335-000	Panel, Back (counter model only)		1	
	015689-000	Panel, Back (counter model only)			1
	PD020033	Screw, Panel	8	8	7
28	012497-000	Regulator, 3/4" NG			
	014019-000	Regulator, 3/4" LP			
	012490-000	Regulator, 1" NG			
	014018-000	Regulator, 1" LP			
	012500-000	Regulator, 1 1/4" NG			
	014020-000	Regulator, 1 1/4" LP			
29	010290-000	Wall Bracket 36"	1		
	017502-000	Wall Bracket 30"		1	
	017501-000	Wall Bracket 24"			1
30	009088-000	4" Leg with mounting plate	4	4	4
	PD020069	CAP SCREW 1/4-20 X 3/4 SS	16	16	16

Cheesemelter - 48 - 60 - 72



**Cheesemelter -
R - W - C**

Model

V72CM --

V60CM --

V48CM --

	Part Number	Part Description	QTY	QTY	QTY
1	011115-000	Knob, On-Off	2	2	2
	004705-000	Set Screw	2	2	2
	004706-000	Screw, Knob	8	8	8
2	016483-000	Panel, Front Assy. 72"	1		
	011787-000	Panel, Front Assy. 60"		1	
	016359-000	Panel, Front Assy. 48"			1
	PD020033	Screw, Panel	4	4	4
3	004728-000	Name Plate, Viking	1	1	1
4	010480-000	Press Nut	2	2	2
5	016897-000	Pan, Drip	2		
	009387-000	Pan, Drip		2	
	016381-000	Pan, Drip			2
	009337-000	Cap, Center Drip Pans	1	1	1
6	012866-000	Cover, RH	1		1
	PD020033	Screw, Panel	2	2	2
7	012867-000	Cover, LH	1		1
	PD020033	Screw, Panel	2	2	2
8	009187-000	Ladder, Rack Support LH	1	1	1
9	016567-000	Rack 72"	2		
	010860-000	Rack 60"		2	
	016370-000	Rack 48"			2
	009337-000	Center Cap, Drip Pans	2		
10	011617-000	Ladder, Rack Support Center	1		
11	009186-000	Ladder, Rack Support RH	1		1
12	016480-000	Panel, Back Inside 72"	1		
	009390-000	Panel, Back Inside 60"		1	
	016362-000	Panel, Back Inside 48"			1
	PD020033	Screw, Panel	16	12	10
13	011227-000	IR Shield RH	1	1	1
14	016405-000	IR Shield LH	1	1	1
15	011235-000	IR Retainer, RH	1	1	1
16	016890-000	IR Retainer, Center	1	1	1
17	011232-000	IR Retainer, LH	1	1	1
18	016874-000	Burner, IR 27"	2		
	016878-000	Screen	2		
		Orifice NG, #			
		Orifice LP, #			

**Cheesemelter -
R - W - C**

Model

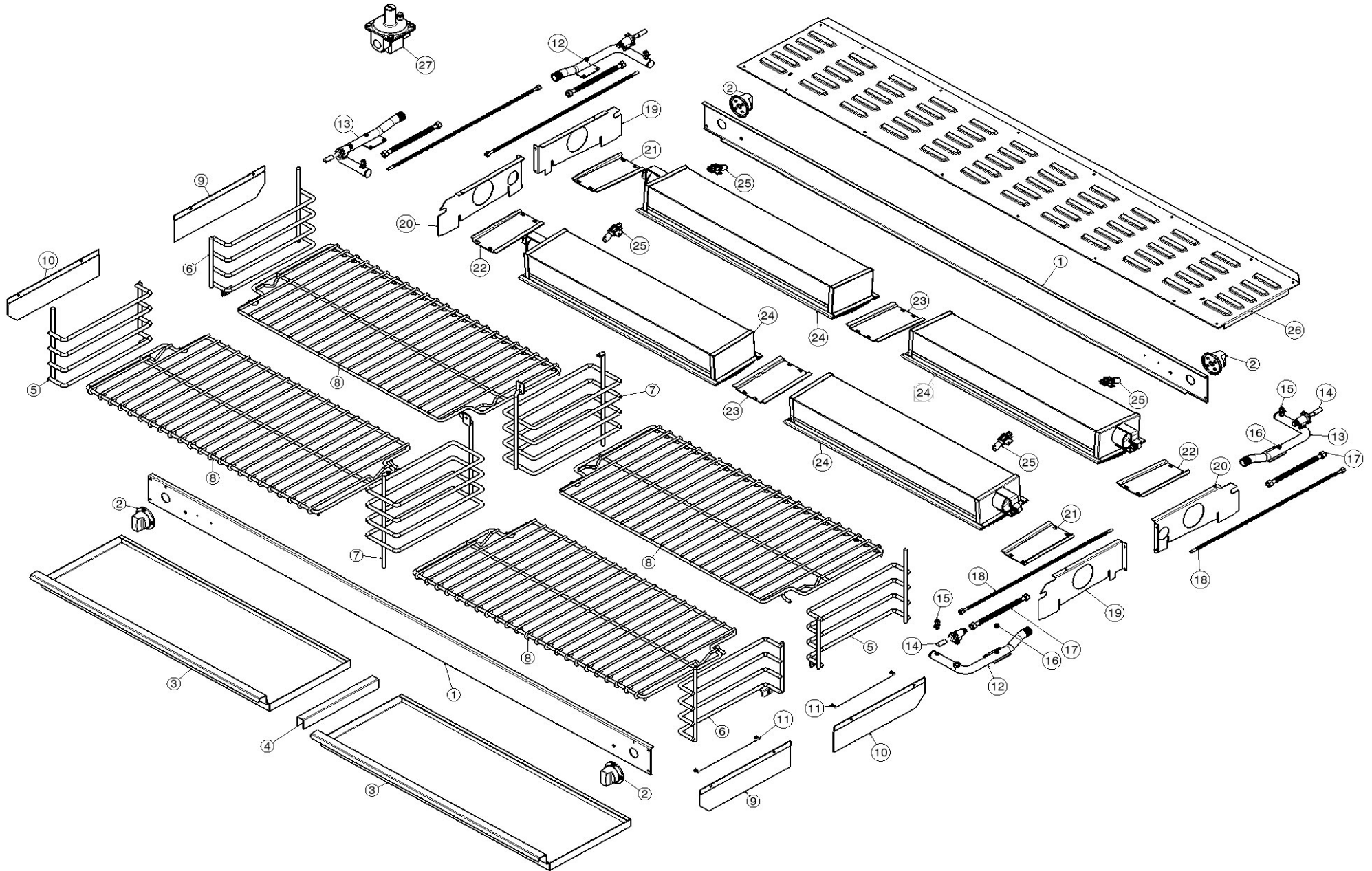
V72CM --

V60CM --

V48CM --

	Part Number	Part Description	QTY	QTY	QTY
18	010316-000	Burner, IR 24"		2	
	009213-000	Screen		2	
	015788-000	Orifice NG, #41			
	015799-000	Orifice LP, #53			
18	039066-000	Burner, IR 16.6"			2
	016076-000	Screen			2
		Orifice NG, #			
		Orifice LP, #			
19	015191-000	Pilot, CM/SM	2	2	2
20	011010-000	Flue Filler, RH	1	1	1
21	011014-000	Flue Filler, LH	1	1	1
22	016486-000	Panel, Top 72"	1		
	011887-000	Panel, Top 60"		1	
	016363-000	Panel, Top 48"			1
	PD020033	Screw, Panel	18	14	12
23	017506-000	Wall Bracket 72"	1		
	017505-000	Wall Bracket 60"		1	
	017503-000	Wall Bracket 48"			1
24	011271-000	Manifold, CM/SM RT	1	1	1
	010330-000	Nut, Manifold	2	2	2
	010539-000	Washer, Manifold	2	2	2
25	016024-000	Manifold, CM/SM LT	1	1	1
	010330-000	Nut, Manifold	2	2	2
	010539-000	Washer, Manifold	2	2	2
26	010309-000	Valve, Burner	2	2	2
27	010315-000	Valve, Pilot	2	2	2
28	010158-000	Plug, Hex	2	2	2
29	010476-000	3/8" Flex Tubing, Burner	2	2	2
30	010477-000	1/4" Flex Tubing, Pilot	2	2	2
31	012497-000	Regulator, 3/4" NG			
	014019-000	Regulator, 3/4" LP			
	012490-000	Regulator, 1" NG			
	014018-000	Regulator, 1" LP			
	012500-000	Regulator, 1 1/4" NG			
	014020-000	Regulator, 1 1/4" LP			
32	009088-000	4" Leg with mounting plate	4	4	4
	PD020069	CAP SCREW 1/4-20 X 3/4 SS	16	16	16

Cheesemelter - Pass Through



**Cheesemelter -
Pass Through**

Model

V72CMD- —

V60CMD- —

V48CMD- —

V36CMD- —

Part Number	Part Description	QTY	QTY	QTY	QTY
1 016483-000	Panel, Front 72"	2			
011787-000	Panel, Front 60"		2		
016359-000	Panel, Front 48"			2	
011240-000	Panel, Front 36"				2
PD020033	Screw, Panel	8	8	8	8
004728-000	Name Plate, Viking	2	2	2	2
010480-000	Press Nut	4	4	4	4
2 011115-000	Knob, On-Off	4	4	4	2
004705-000	Set Screw	4	4	4	2
004706-000	Screw, Knob	16	16	16	8
3 016897-000	Pan, Drip	4			
009387-000	Pan, Drip		4		
016381-000	Pan, Drip			4	
010286-000	Pan, Drip				2
4 009337-000	Cap, Center Drip Pans	2	2	2	
5 009187-000	Ladder, Rack Support LH	2	2	2	2
6 009186-000	Ladder, Rack Support RH	2	2	2	2
7 011617-000	Ladder, Rack Support Center	2	2	2	
8 017290-000	Rack 72"	4			
015864-000	Rack 60"		4		
017163-000	Rack 48"			4	
014424-000	Rack 36"				2
9 012866-000	Cover, RH	2	2	2	2
10 012867-000	Cover, LH	2	2	2	2
11 PD020033	Screw, Panel	8	8	8	8
12 011271-000	Manifold, CM/SM RT	2	2	2	1
010330-000	Nut, Manifold	4	4	4	2
010539-000	Washer, Manifold	4	4	4	2
13 016024-000	Manifold, CM/SM LT	2	2	2	1
010330-000	Nut, Manifold	4	4	4	2
010539-000	Washer, Manifold	4	4	4	2
14 010309-000	Valve, Burner	4	4	4	2
15 010315-000	Valve, Pilot	4	4	4	2
16 010158-000	Plug, Hex	4	4	4	2
17 010476-000	3/8" Flex Tubing, Burner	4	4	4	2
18 010477-000	1/4" Flex Tubing, Pilot	4	4	4	2

**Cheesemelter -
Pass Through**

Model

V72CMD- —

V60CMD- —

V48CMD- —

V36CMD- —

Part Number	Part Description	QTY	QTY	QTY	QTY
19	011227-000 IR Shield RH	2	2	2	2
20	016405-000 IR Shield LH	2	2	2	2
21	011235-000 IR Retainer, RH	2		2	2
	011841-000 IR Retainer, RH		2		
22	011232-000 IR Retainer, LH	2		2	2
	011842-000 IR Retainer, LH		2		
23	016890-000 IR Retainer, Center	2	2	2	
24	016874-000 Burner, IR 27"	4			
	016878-000 Screen	4			
	Orifice NG, #				
	Orifice LP, #				
24	010316-000 Burner, IR 24"		4		
	009213-000 Screen				
	015788-000 Orifice NG, #41				
	015799-000 Orifice LP, #53				
24	039066-000 Burner, IR 16.6"			4	
	016076-000 Screen				
	Orifice NG, #				
	Orifice LP, #				
24	010316-000 Burner, IR 24"				2
	009213-000 Screen				
	017768-000 Orifice NG, #43				
	Orifice LP, #				
25	015191-000 Pilot, CM/SM	4	4	4	2
26	016486-000 Panel, Top 72"	2			
	011887-000 Panel, Top 60"		2		
	016363-000 Panel, Top 48"			2	
	010297-000 Panel, Top 36"				2
	PD020033 Screw, Panel	36	28	24	16
27	012497-000 Regulator, 3/4" NG				
	014019-000 Regulator, 3/4" LP				
	012490-000 Regulator, 1" NG				
	014018-000 Regulator, 1" LP				
	012500-000 Regulator, 1 1/4" NG				
	014020-000 Regulator, 1 1/4" LP				