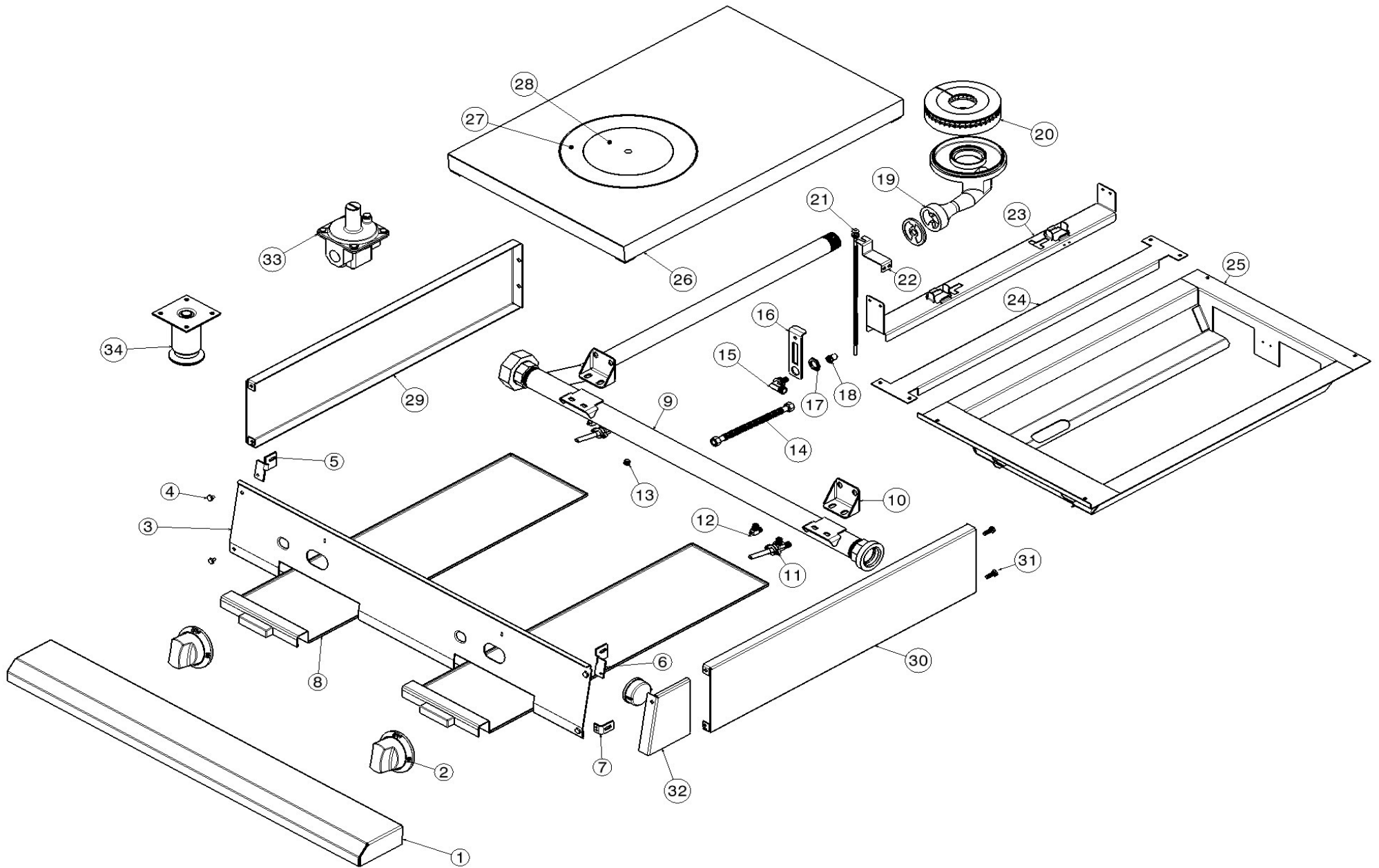


French Top



French Top

Model

V36F2-NG

V18F-NG

V36F2-LP

V18F-LP

	Part Number	Part Description	QTY	QTY	QTY	QTY
1	AV36PS	Plate Shelf, Standard 36"	1		1	
	AV18PS	Plate Shelf, Standard 18"		1		1
	AV36PS6	Plate Shelf, 6" Deep, 36"	1		1	
	AV18PS6	Plate Shelf, 6" Deep, 18"		1		1
	AV36PS8	Plate Shelf, 8" Deep, 36"	1		1	
	AV18PS8	Plate Shelf, 8" Deep, 18"		1		1
	010539-000	Washer, Plate Shelf	2	2	2	2
	010330-000	Nut, Plate Shelf	2	2	2	2
2	006024-000	RANGE TOP KNOB ASM, 90 DEG.	2	1	2	1
	004705-000	10-24 x 1.25 SET SCREW	2	1	2	1
	004706-000	MACHINE SCREW, 6-32 x 3/8, PAN HD, PHILLIPS	8	4	8	4
3	013125-000	Panel, Control FT 36"	1		1	
	010665-000	Panel, Control FT 18"		1		1
	012171-000	Name Plate	1	1	1	1
4	PD020033	Screw, Front Panel	4	4	4	4
5	016120-000	Bracket, Front Panel Top LH	1	1	1	1
	010328-000	Screw, Bracket	1	1	1	1
	M0270528	Washer	1	1	1	1
6	016113-000	Bracket, Front Panel Top RH	1	1	1	1
	010328-000	Screw, Bracket	1	1	1	1
	M0270528	Washer	1	1	1	1
7	016114-000	Bracket, Front Panel Bottom	2	2	2	2
	010328-000	Screw, Bracket	2	2	2	2
	M0270528	Washer	2	2	2	2
8	010864-000	Drip Tray, French Top 18" Assembly	2	1	2	1
	006678-000	HANDLE, GRS, CAN, GRIDDLE	2	1	2	1
	010511-000	SCREW M4 X 10, HX HD, S.S.	4	2	4	2
9	006512-000	Manifold, FT-HT 36"	1		1	
	009272-000	Manifold, FT-HT 18"		1		1
10	005011-000	BRACKET, MANIFOLD	2	2	2	2
	PD020069	CAP SCREW 1/4-20 X 3/4 SS	4	4	4	4
	010539-000	WASHER, .266 x .563, S.S.	8	8	8	8
	010330-000	1/4"-20 (L:3/16", W:7/16") LOCK NUT	8	8	8	8
11	006525-000	VALVE, GAS, COMM, ON-OFF	2	1	2	1
12	004839-000	SHUTOFF, PILOT	2	1	2	1
13	010158-000	1/8" NPT PLUG	9	5	9	5

French Top		Model	V36F2-NG	V18F-NG	V36F2-LP	V18F-LP
Part Number	Part Description	QTY	QTY	QTY	QTY	
14	009392-000 TUBING, FLEX, SST, 3/8cc X 8"	2	1	2	1	
15	010349-000 Orifice Holder	2	1	2	1	
16	010596-000 Bracket, Orifice Holder	2	1	2	1	
	PD020048 Screw	2	1	2	1	
17	010533-000 NUT LOCK 3/4-16, BRASS	2	1	2	1	
18	PB040076 Orifice, Hood #40 NG	2	1			
	Orifice, Hood #58 LP			2	1	
19	008559-000 Bottom, Burner Short	2	1	2	1	
	011696-000 Air Shutter	2	1	2	1	
	011697-000 Screw, Air Shutter	2	1	2	1	
20	008488-000 Top, Round Burner	2	1	2	1	
21	010524-000 Pilot Assembly	2	1	2	1	
22	010589-000 Bracket, Pilot	2	1	2	1	
	PD020048 Screw	4	2	4	2	
23	006745-000 Hanger, Burner	2	1	2	1	
	PD020048 Screw	4	2	4	2	
24	005997-000 Shield, Burner Box	1	0	1	0	
25	005951-000 Burner Box	2	1	2	1	
	PD020069 Screw	4	4	4	4	
26	005740-000 French Top, Complete	2	1	2	1	
	PD010006 Leveling Screw	8	4	8	4	
27	005734-000 Outer Ring, French Top	2	1	2	1	
28	005736-000 Inner Ring, French Top	2	1	2	1	
	019633-000 Tool, Ring Removal	1	1	1	1	
29	016555-000 SIDE, PNL, LH, RANGE TOP	1	1	1	1	
30	016556-000 SIDE, PNL, RH, RANGE TOP	1	1	1	1	
31	PD020069 Screw	8	8	8	8	
32	010259-000 Manifold Cap Kit, LH	1	1	1	1	
	010260-000 Manifold Cap Kit, RH	1	1	1	1	
33	012497-000 Regulator, 3/4" NG					
	014019-000 Regulator, 3/4" LP					
	012490-000 Regulator, 1" NG					
	014018-000 Regulator, 1" LP					
	012500-000 Regulator, 1 1/4" NG					
	014020-000 Regulator, 1 1/4" LP					
34	009088-000 4" Leg with mounting plate	4	4	4	4	
	PD020069 CAP SCREW 1/4-20 X 3/4 SS	16	16	16	16	