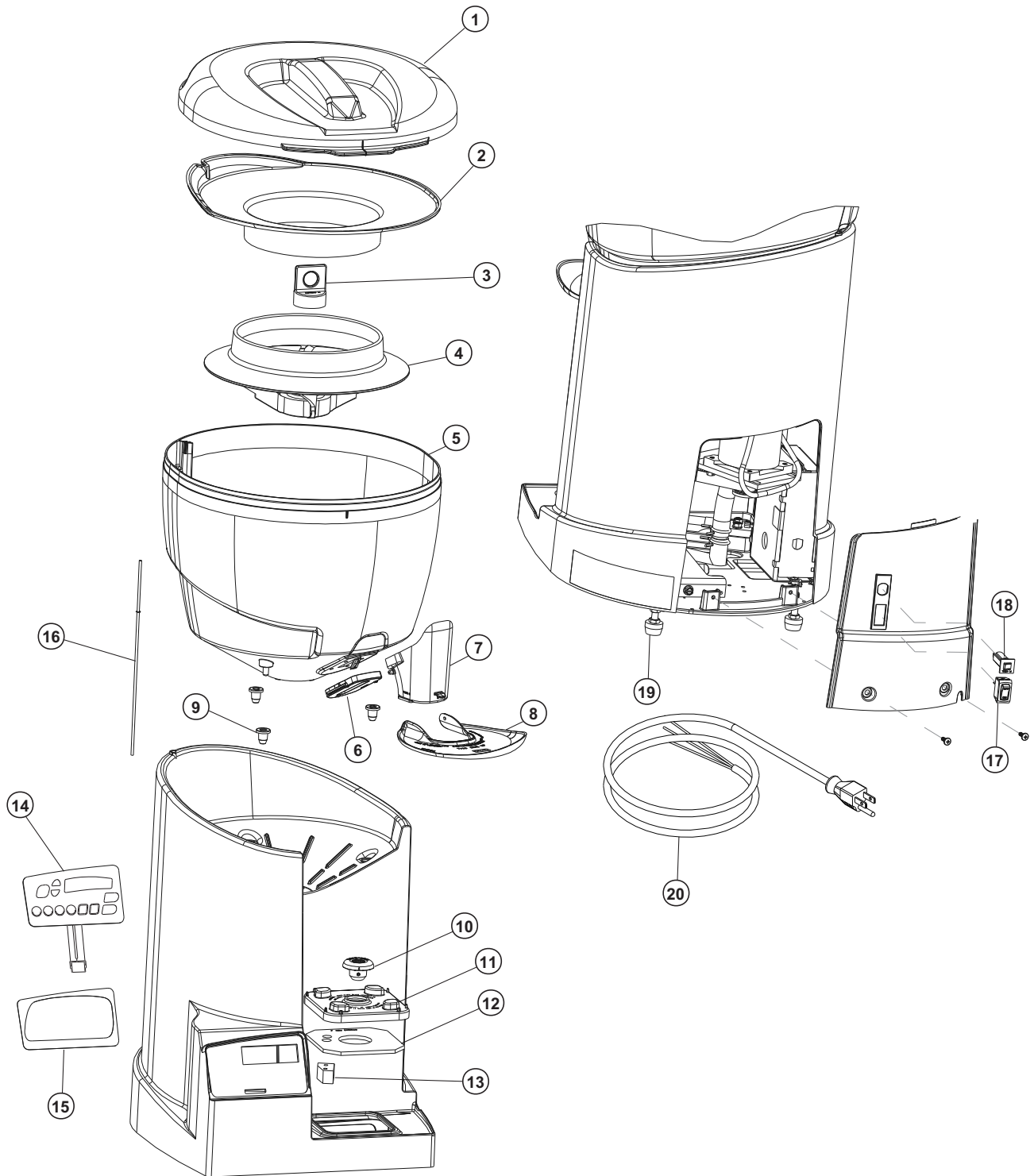


Portion Blending System[®] Advance and Portion Blending System



Portion Blending System® Advance and Portion Blending System Parts List – 100V (Japan), 120V, 120V (Taiwan), 220/240V

NO.	NEW PART NO.	OLD PART NO.	DESCRIPTION	VOLTAGE	QTY./ PACK
1	1599	PLS504	Ice Bin Lid	All	1
2	1601	PLS503	Ice Shelf	All	1
3	1610	CST500	Paddle Nut	All	1
4	1611	CST504	Shaver Wheel	All	1
5	1539	PLS502	Ice Bin	All	1
6	1612	CST506	Ice Chute Cartridge	All	1
7	1602	PLS511	Ice Chute	All	1
NOT SHOWN	1603	PLS509	Splash Guard*	All	1
8	1608	n/a	Large Splash Guard	All	1
9	1613	RBB507	Ice Bin Grommets (3)	All	3
10	891	891	Drive Socket Assembly	All	1
10	15546	15546	Drive Socket Assembly (Set of 2)	All	2
10	15547	15547	Drive Socket Assembly (Set of 5)	All	5
11	1604	RBB502	Centering Pad	All	1
12	1614	STM502	Container Base Plate	All	1
13	1615	SCM502	Beam Spacer	All	1
14	1616	CTL500	Touch Pad	All	1
15	1631	LBL553	PBS Advance Touch Pad Wrap Label	All	1
16	1600	PLS505	Safety Ice Bin Push Rod with Clip	All	1
17	15785	CTL805	On/Off Rocker Switch	220/240V	1
17	15786	CTL800	On/Off Rocker Switch	100/120V	1
18	30051	CTL510	2 Amp Circuit Breaker	220/240V	1
18	30012	CTL804	3 Amp Circuit Breaker	100/120V	1
19	1507	1507	Rubber Feet (4)	All	4
20	By Country	By Country	Power Cord	220/240V	1
20	15756	WIR100	Power Cord	100/120V	1

*Machines built before March 14, 2007 (before Serial No. XXXXXX070314)