

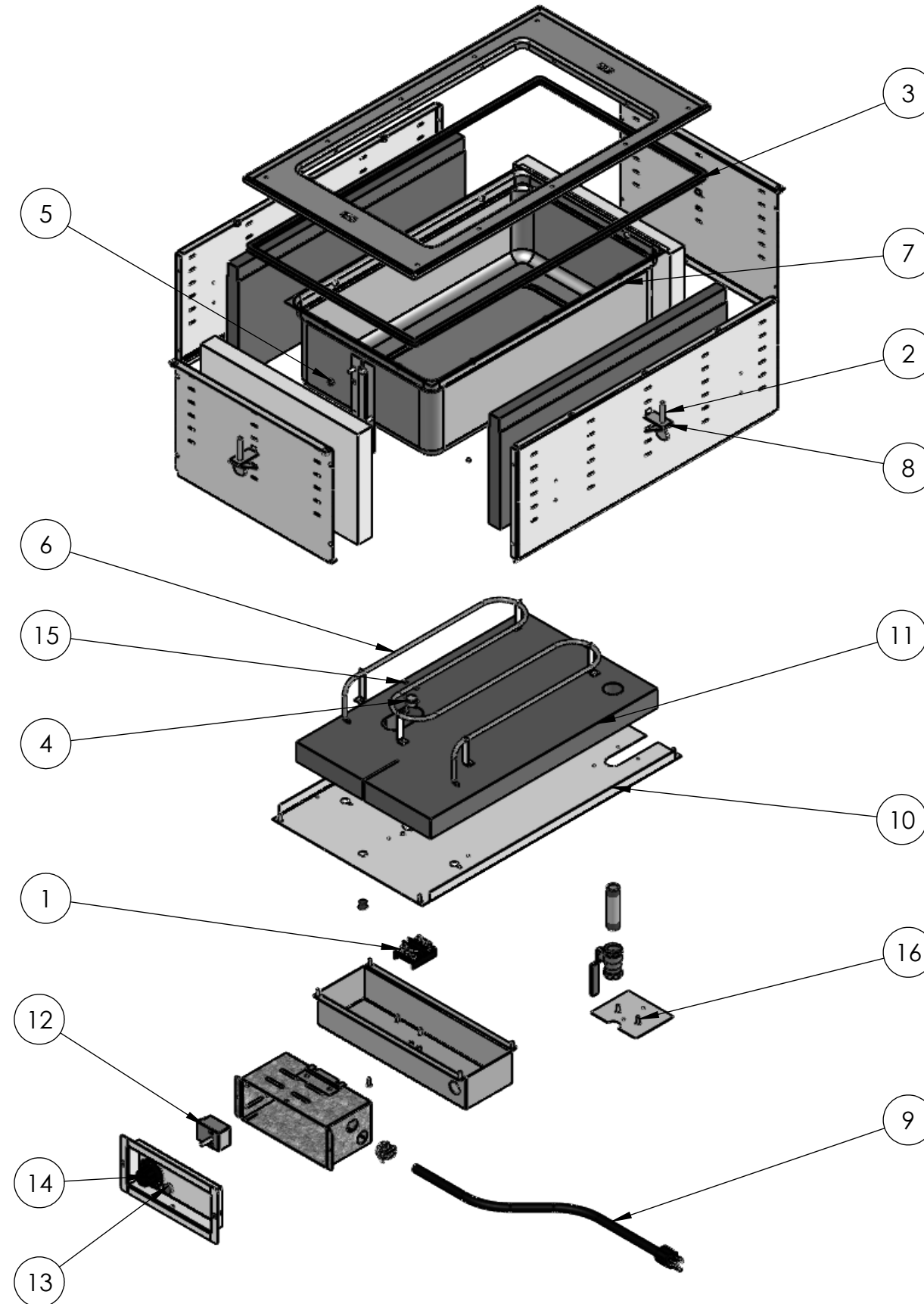
REPLACEMENT PARTS

| ITEM NO. | PART NUMBER | DESCRIPTION |
|----------|--------------------|-------------------------------|
| 1 | 24872-3 | T-BLOCK |
| 2 | 23035-3 | 1/4-20 x 2" THUMB SCREW |
| 3 | 25390-1 | EDGING |
| 4 | 25438-1 | THERMOSTAT, REGULATING |
| 5 | 21547-1 | NUT, HEX, SS, 10-32 |
| 6 | SEE CHART (PAGE 2) | HEATING ELEMENT |
| 7 | 2642920-2 | WELL ASSY HOT WELL |
| 8 | 44179-1 | MOUNTING CLIP |
| 9 | SEE CHART (PAGE 2) | POWER CORD |
| 10 | 2638510-2 | HOT WELL BOTTOM PANEL, 1 WELL |
| 11 | 25429-1 | INSULATION BOTTOM, 1-WELL |
| 12 | SEE CHART (PAGE 2) | CONTROLLER |
| 13 | SEE CHART (PAGE 2) | PILOT LIGHT |
| 14 | SEE CHART (PAGE 2) | CONTROL KNOB |

FASTENERS (GENERAL SPECIFICATION)

| ITEM NO. | DESCRIPTION |
|----------|--|
| 15 | 4-40 LOCK NUT, STAINLESS STEEL |
| 16 | SCREW, #8 X .500 LG THREAD CUTTING TYPE 25 |

SEE PAGE 2 FOR HEATING ELEMENT, POWER CORD, CONTROLLER, PILOT LIGHT, AND CONTROL KNOB REPLACEMENT PART SPECIFICATIONS.





HEATING ELEMENT, POWER CORD, CONTROLLER, PILOT LIGHT, AND CONTROL KNOB REPLACEMENT PARTS FOR INFINITE CONTROL WELLS

| 304 HOT WELL MODEL | HEATING ELEMENT (ITEM NO. 6) | POWER CORD (ITEM NO. 9) | CONTROLLER (ITEM NO. 12) | PILOT LIGHT (ITEM NO. 13) | CONTROL KNOB (ITEM NO. 14) |
|--------------------|------------------------------|-------------------------|--------------------------|---------------------------|----------------------------|
| 36466 | 26510-1 | 17085-1 | 24788-1 | 23065-3 | 26638-3 |
| 3646601 | 17853-1 | 17085-1 | 24788-1 | 23065-3 | 26638-3 |
| 36467 | 26511-1 | 17739-1 | 24789-1 | 23066-3 | 26638-3 |
| 3646701 | 17854-1 | 17739-1 | 24789-1 | 23066-3 | 26638-3 |
| 36471 | 26512-1 | 17739-1 | 24789-1 | 23066-3 | 26638-3 |
| 36399 | 26510-1 | 17085-1 | 24788-1 | 23065-3 | 26638-3 |
| 3639901 | 17853-1 | 26615-1 | 24788-1 | 23065-3 | 26638-3 |
| 36400 | 26511-1 | 17739-1 | 24789-1 | 23066-3 | 26638-3 |
| 3640001 | 17854-1 | 17739-1 | 24789-1 | 23066-3 | 26638-3 |
| 36472 | 26512-1 | 17739-1 | 24789-1 | 23066-3 | 26638-3 |
| 36404 | 26510-1 | 17860-1 | 24788-1 | 23065-3 | 26638-3 |
| 3640401 | 17853-1 | 26618-1 | 24788-1 | 23065-3 | 26638-3 |
| 36405 | 26511-1 | 17739-1 | 24789-1 | 23066-3 | 26638-3 |
| 3640501 | 17854-1 | 26622-1 | 24789-1 | 23066-3 | 26638-3 |
| 36473 | 26512-1 | 17739-1 | 24789-1 | 23066-3 | 26638-3 |
| 36406 | 26510-1 | 26615-1 | 24788-1 | 23065-3 | 26638-3 |
| 36407 | 26511-1 | 17739-1 | 24789-1 | 23066-3 | 26638-3 |
| 3640701 | 17854-1 | 17207-1 | 24789-1 | 23066-3 | 26638-3 |
| 36474 | 26512-1 | 17739-1 | 24789-1 | 23066-3 | 26638-3 |
| 36408 | 26511-1 | 26622-1 | 24789-1 | 23066-3 | 26638-3 |
| 3640801 | 17854-1 | 17207-1 | 24789-1 | 23066-3 | 26638-3 |
| 36475 | 26512-1 | 26622-1 | 24789-1 | 23066-3 | 26638-3 |
| 36409 | 26511-1 | 17864-2 | 24789-1 | 23066-3 | 26638-3 |
| 3640901 | 17854-1 | 17855-2 | 24789-1 | 23066-3 | 26638-3 |
| 36476 | 26512-1 | 17862-2 | 24789-1 | 23066-3 | 26638-3 |

HEATING ELEMENT, POWER CORD, CONTROLLER, PILOT LIGHT, AND CONTROL KNOB REPLACEMENT PARTS FOR THERMOSTATIC CONTROL WELLS

| 304 HOT WELL MODEL | HEATING ELEMENT (ITEM NO. 6) | POWER CORD (ITEM NO. 9) | CONTROLLER (ITEM NO. 12) | PILOT LIGHT (ITEM NO. 13) | CONTROL KNOB (ITEM NO. 14) |
|--------------------|------------------------------|-------------------------|--------------------------|---------------------------|----------------------------|
| 3646610 | 26510-1 | 17085-1 | 17795-1 | 23065-3 | 23423-1 |
| 3646611 | 17853-1 | 17085-1 | 17795-1 | 23065-3 | 23423-1 |
| 3646710 | 26511-1 | 17739-1 | 17795-1 | 23066-3 | 23423-1 |
| 3646711 | 17854-1 | 17739-1 | 17795-1 | 23066-3 | 23423-1 |
| 3647110 | 26512-1 | 17739-1 | 17795-1 | 23066-3 | 23423-1 |
| 3639910 | 26510-1 | 17860-1 | 17795-1 | 23065-3 | 23423-1 |
| 3639911 | 17853-1 | 26618-1 | 17795-1 | 23065-3 | 23423-1 |
| 3640010 | 26511-1 | 17739-1 | 17795-1 | 23066-3 | 23423-1 |
| 3640011 | 17854-1 | 26622-1 | 17795-1 | 23066-3 | 23423-1 |
| 3647210 | 26512-1 | 17739-1 | 17795-1 | 23066-3 | 23423-1 |
| 3640410 | 26510-1 | 17860-1 | 17795-1 | 23065-3 | 23423-1 |
| 3640411 | 17853-1 | 26618-1 | 17795-1 | 23065-3 | 23423-1 |
| 3640510 | 26511-1 | 17739-1 | 17795-1 | 23066-3 | 23423-1 |
| 3640511 | 17854-1 | 26622-1 | 17795-1 | 23066-3 | 23423-1 |
| 3647310 | 26512-1 | 17739-1 | 17795-1 | 23066-3 | 23423-1 |
| 3640610 | 26510-1 | 26615-1 | 17795-1 | 23065-3 | 23423-1 |
| 3640710 | 26511-1 | 17739-1 | 17795-1 | 23066-3 | 23423-1 |
| 3640711 | 17854-1 | 17207-1 | 17795-1 | 23066-3 | 23423-1 |
| 3647410 | 26512-1 | 17739-1 | 17795-1 | 23066-3 | 23423-1 |
| 3640810 | 26511-1 | 26622-1 | 17795-1 | 23066-3 | 23423-1 |
| 3640811 | 17854-1 | 17207-1 | 17795-1 | 23066-3 | 23423-1 |
| 3647510 | 26512-1 | 26622-1 | 17795-1 | 23066-3 | 23423-1 |
| 3640910 | 26511-1 | 17864-2 | 17795-1 | 23066-3 | 23423-1 |
| 3640911 | 17854-1 | 17855-2 | 17795-1 | 23066-3 | 23423-1 |
| 3647610 | 26512-1 | 17862-2 | 17795-1 | 23066-3 | 23423-1 |