

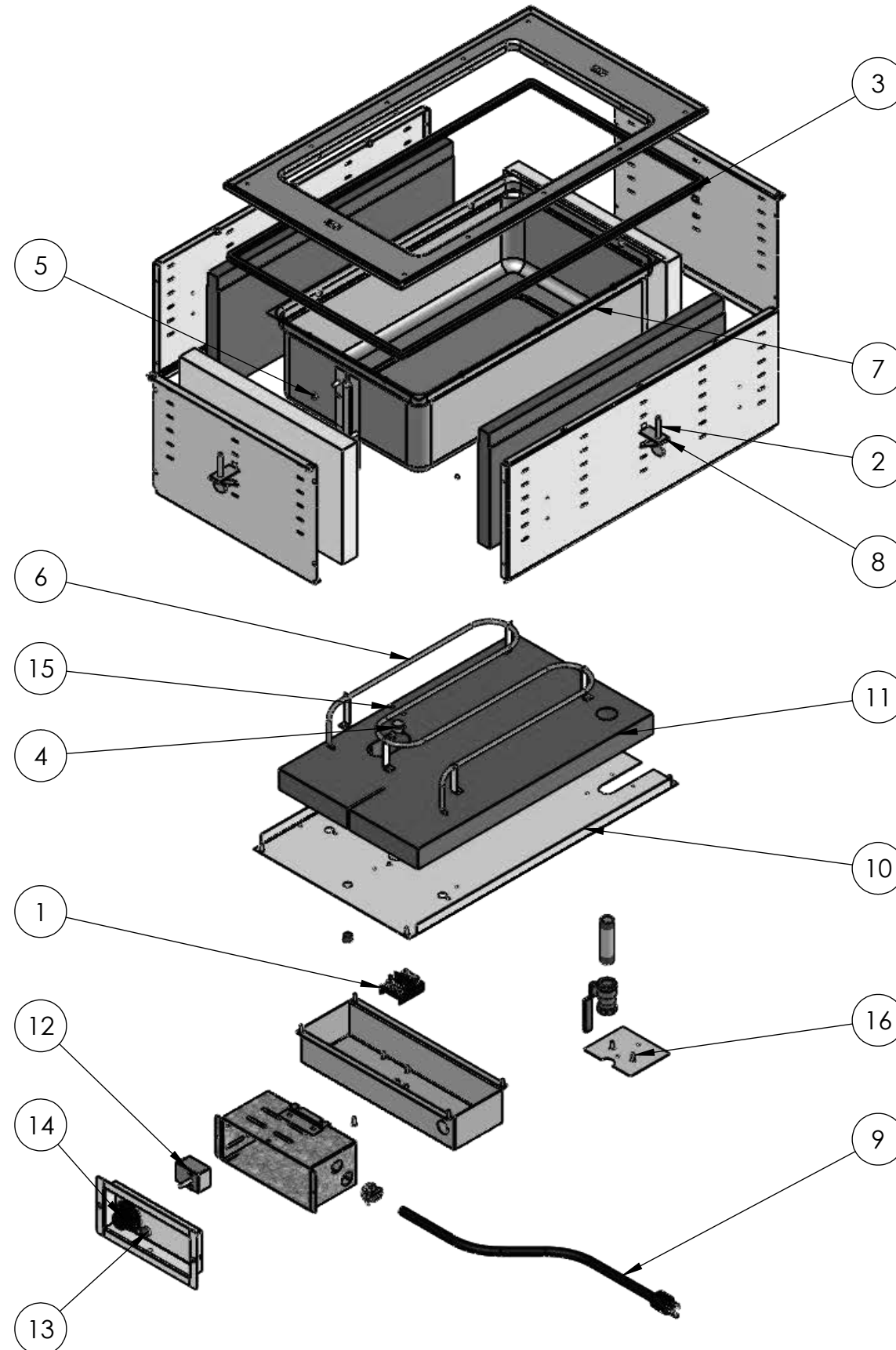
REPLACEMENT PARTS

| ITEM NO. | PART NUMBER | DESCRIPTION |
|----------|--------------------|-------------------------------|
| 1 | 24872-3 | T-BLOCK |
| 2 | 23035-3 | 1/4-20 x 2" THUMB SCREW |
| 3 | 25390-1 | EDGING |
| 4 | 25438-1 | THERMOSTAT, REGULATING |
| 5 | 21547-1 | NUT, HEX, SS, 10-32 |
| 6 | SEE CHART (PAGE 2) | HEATING ELEMENT |
| 7 | 2642920316-2 | WELL ASSY HOT WELL 316 |
| 8 | 44179-1 | MOUNTING CLIP |
| 9 | SEE CHART (PAGE 2) | POWER CORD |
| 10 | 2638510-2 | HOT WELL BOTTOM PANEL, 1 WELL |
| 11 | 25429-1 | INSULATION BOTTOM, 1-WELL |
| 12 | SEE CHART (PAGE 2) | CONTROLLER |
| 13 | SEE CHART (PAGE 2) | PILOT LIGHT |
| 14 | SEE CHART (PAGE 2) | CONTROL KNOB |

FASTENERS (GENERAL SPECIFICATION)

| ITEM NO. | DESCRIPTION |
|----------|--|
| 15 | 4-40 LOCK NUT, STAINLESS STEEL |
| 16 | SCREW, #8 X .500 LG THREAD CUTTING TYPE 25 |

SEE PAGE 2 FOR HEATING ELEMENT, POWER CORD, CONTROLLER, PILOT LIGHT, AND CONTROL KNOB REPLACEMENT PART SPECIFICATIONS.





HEATING ELEMENT, POWER CORD, CONTROLLER, PILOT LIGHT, AND CONTROL KNOB REPLACEMENT PARTS FOR INFINITE CONTROL WELLS

| 316 HOT WELL MODEL | HEATING ELEMENT (ITEM NO. 6) | POWER CORD (ITEM NO. 9) | CONTROLLER (ITEM NO. 12) | PILOT LIGHT (ITEM NO. 13) | CONTROL KNOB (ITEM NO. 14) |
|--------------------|------------------------------|-------------------------|--------------------------|---------------------------|----------------------------|
| 36466HD | 26510-1 | 17085-1 | 24788-1 | 23065-3 | 26638-3 |
| 3646601HD | 17853-1 | 17085-1 | 24788-1 | 23065-3 | 26638-3 |
| 36467HD | 26511-1 | 17739-1 | 24789-1 | 23066-3 | 26638-3 |
| 3646701HD | 17854-1 | 17739-1 | 24789-1 | 23066-3 | 26638-3 |
| 36471HD | 26512-1 | 17739-1 | 24789-1 | 23066-3 | 26638-3 |
| 36399HD | 26510-1 | 17085-1 | 24788-1 | 23065-3 | 26638-3 |
| 3639901HD | 17853-1 | 26615-1 | 24788-1 | 23065-3 | 26638-3 |
| 36400HD | 26511-1 | 17739-1 | 24789-1 | 23066-3 | 26638-3 |
| 3640001HD | 17854-1 | 17739-1 | 24789-1 | 23066-3 | 26638-3 |
| 36472HD | 26512-1 | 17739-1 | 24789-1 | 23066-3 | 26638-3 |
| 36404HD | 26510-1 | 17860-1 | 24788-1 | 23065-3 | 26638-3 |
| 3640401HD | 17853-1 | 26618-1 | 24788-1 | 23065-3 | 26638-3 |
| 36405HD | 26511-1 | 17739-1 | 24789-1 | 23066-3 | 26638-3 |
| 3640501HD | 17854-1 | 26622-1 | 24789-1 | 23066-3 | 26638-3 |
| 36473HD | 26512-1 | 17739-1 | 24789-1 | 23066-3 | 26638-3 |
| 36406HD | 26510-1 | 26615-1 | 24788-1 | 23065-3 | 26638-3 |
| 36407HD | 26511-1 | 17739-1 | 24789-1 | 23066-3 | 26638-3 |
| 3640701HD | 17854-1 | 17207-1 | 24789-1 | 23066-3 | 26638-3 |
| 36474HD | 26512-1 | 17739-1 | 24789-1 | 23066-3 | 26638-3 |
| 36408HD | 26511-1 | 26622-1 | 24789-1 | 23066-3 | 26638-3 |
| 3640801HD | 17854-1 | 17207-1 | 24789-1 | 23066-3 | 26638-3 |
| 36475HD | 26512-1 | 26622-1 | 24789-1 | 23066-3 | 26638-3 |
| 36409HD | 26511-1 | 17864-2 | 24789-1 | 23066-3 | 26638-3 |
| 3640901HD | 17854-1 | 17855-2 | 24789-1 | 23066-3 | 26638-3 |
| 36476HD | 26512-1 | 17862-2 | 24789-1 | 23066-3 | 26638-3 |

HEATING ELEMENT, POWER CORD, CONTROLLER, PILOT LIGHT, AND CONTROL KNOB REPLACEMENT PARTS FOR THERMOSTATIC CONTROL WELLS

| 316 HOT WELL MODEL | HEATING ELEMENT (ITEM NO. 6) | POWER CORD (ITEM NO. 9) | CONTROLLER (ITEM NO. 12) | PILOT LIGHT (ITEM NO. 13) | CONTROL KNOB (ITEM NO. 14) |
|--------------------|------------------------------|-------------------------|--------------------------|---------------------------|----------------------------|
| 3646610HD | 26510-1 | 17085-1 | 17795-1 | 23065-3 | 23423-1 |
| 3646611HD | 17853-1 | 17085-1 | 17795-1 | 23065-3 | 23423-1 |
| 3646710HD | 26511-1 | 17739-1 | 17795-1 | 23066-3 | 23423-1 |
| 3646711HD | 17854-1 | 17739-1 | 17795-1 | 23066-3 | 23423-1 |
| 3647110HD | 26512-1 | 17739-1 | 17795-1 | 23066-3 | 23423-1 |
| 3639910HD | 26510-1 | 17860-1 | 17795-1 | 23065-3 | 23423-1 |
| 3639911HD | 17853-1 | 26618-1 | 17795-1 | 23065-3 | 23423-1 |
| 3640010HD | 26511-1 | 17739-1 | 17795-1 | 23066-3 | 23423-1 |
| 3640011HD | 17854-1 | 26622-1 | 17795-1 | 23066-3 | 23423-1 |
| 3647210HD | 26512-1 | 17739-1 | 17795-1 | 23066-3 | 23423-1 |
| 3640410HD | 26510-1 | 17860-1 | 17795-1 | 23065-3 | 23423-1 |
| 3640411HD | 17853-1 | 26618-1 | 17795-1 | 23065-3 | 23423-1 |
| 3640510HD | 26511-1 | 17739-1 | 17795-1 | 23066-3 | 23423-1 |
| 3640511HD | 17854-1 | 26622-1 | 17795-1 | 23066-3 | 23423-1 |
| 3647310HD | 26512-1 | 17739-1 | 17795-1 | 23066-3 | 23423-1 |
| 3640610HD | 26510-1 | 26615-1 | 17795-1 | 23065-3 | 23423-1 |
| 3640710HD | 26511-1 | 17739-1 | 17795-1 | 23066-3 | 23423-1 |
| 3640711HD | 17854-1 | 17207-1 | 17795-1 | 23066-3 | 23423-1 |
| 3647410HD | 26512-1 | 17739-1 | 17795-1 | 23066-3 | 23423-1 |
| 3640810HD | 26511-1 | 26622-1 | 17795-1 | 23066-3 | 23423-1 |
| 3640811HD | 17854-1 | 17207-1 | 17795-1 | 23066-3 | 23423-1 |
| 3647510HD | 26512-1 | 26622-1 | 17795-1 | 23066-3 | 23423-1 |
| 3640910HD | 26511-1 | 17864-2 | 17795-1 | 23066-3 | 23423-1 |
| 3640911HD | 17854-1 | 17855-2 | 17795-1 | 23066-3 | 23423-1 |
| 3647610HD | 26512-1 | 17862-2 | 17795-1 | 23066-3 | 23423-1 |