

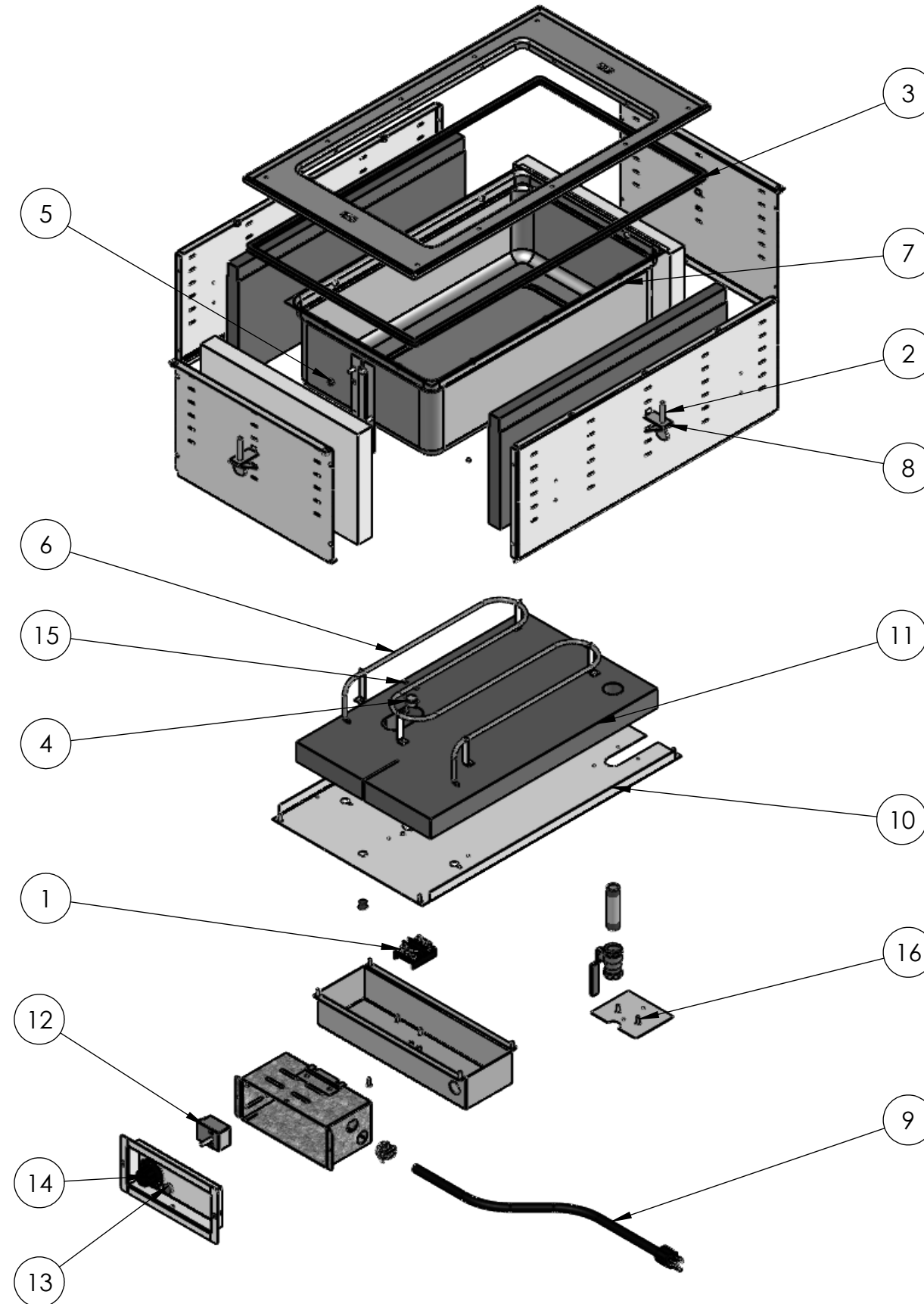
**REPLACEMENT PARTS**

| ITEM NO. | PART NUMBER        | DESCRIPTION                   |
|----------|--------------------|-------------------------------|
| 1        | 24872-3            | T-BLOCK                       |
| 2        | 23035-3            | 1/4-20 x 2" THUMB SCREW       |
| 3        | 25390-1            | EDGING                        |
| 4        | 25438-1            | THERMOSTAT, REGULATING        |
| 5        | 21547-1            | NUT, HEX, SS, 10-32           |
| 6        | SEE CHART (PAGE 2) | HEATING ELEMENT               |
| 7        | 2642920-2          | WELL ASSY HOT WELL            |
| 8        | 44179-1            | MOUNTING CLIP                 |
| 9        | SEE CHART (PAGE 2) | POWER CORD                    |
| 10       | 2638510-2          | HOT WELL BOTTOM PANEL, 1 WELL |
| 11       | 25429-1            | INSULATION BOTTOM, 1-WELL     |
| 12       | SEE CHART (PAGE 2) | CONTROLLER                    |
| 13       | SEE CHART (PAGE 2) | PILOT LIGHT                   |
| 14       | SEE CHART (PAGE 2) | CONTROL KNOB                  |

**FASTENERS (GENERAL SPECIFICATION)**

| ITEM NO. | DESCRIPTION                                |
|----------|--|
| 15       | 4-40 LOCK NUT, STAINLESS STEEL             |
| 16       | SCREW, #8 X .500 LG THREAD CUTTING TYPE 25 |

**SEE PAGE 2 FOR HEATING ELEMENT, POWER CORD, CONTROLLER, PILOT LIGHT, AND CONTROL KNOB REPLACEMENT PART SPECIFICATIONS.**





## HEATING ELEMENT, POWER CORD, CONTROLLER, PILOT LIGHT, AND CONTROL KNOB REPLACEMENT PARTS FOR INFINITE CONTROL WELLS

| 304 HOT WELL MODEL | HEATING ELEMENT (ITEM NO. 6) | POWER CORD (ITEM NO. 9) | CONTROLLER (ITEM NO. 12) | PILOT LIGHT (ITEM NO. 13) | CONTROL KNOB (ITEM NO. 14) |
|--------------------|------------------------------|-------------------------|--------------------------|---------------------------|----------------------------|
| 36466              | 26510-1                      | 17085-1                 | 24788-1                  | 23065-3                   | 26638-3                    |
| 3646601            | 17853-1                      | 17085-1                 | 24788-1                  | 23065-3                   | 26638-3                    |
| 36467              | 26511-1                      | 17739-1                 | 24789-1                  | 23066-3                   | 26638-3                    |
| 3646701            | 17854-1                      | 17739-1                 | 24789-1                  | 23066-3                   | 26638-3                    |
| 36471              | 26512-1                      | 17739-1                 | 24789-1                  | 23066-3                   | 26638-3                    |
| 36399              | 26510-1                      | 17085-1                 | 24788-1                  | 23065-3                   | 26638-3                    |
| 3639901            | 17853-1                      | 26615-1                 | 24788-1                  | 23065-3                   | 26638-3                    |
| 36400              | 26511-1                      | 17739-1                 | 24789-1                  | 23066-3                   | 26638-3                    |
| 3640001            | 17854-1                      | 17739-1                 | 24789-1                  | 23066-3                   | 26638-3                    |
| 36472              | 26512-1                      | 17739-1                 | 24789-1                  | 23066-3                   | 26638-3                    |
| 36404              | 26510-1                      | 17860-1                 | 24788-1                  | 23065-3                   | 26638-3                    |
| 3640401            | 17853-1                      | 26618-1                 | 24788-1                  | 23065-3                   | 26638-3                    |
| 36405              | 26511-1                      | 17739-1                 | 24789-1                  | 23066-3                   | 26638-3                    |
| 3640501            | 17854-1                      | 26622-1                 | 24789-1                  | 23066-3                   | 26638-3                    |
| 36473              | 26512-1                      | 17739-1                 | 24789-1                  | 23066-3                   | 26638-3                    |
| 36406              | 26510-1                      | 26615-1                 | 24788-1                  | 23065-3                   | 26638-3                    |
| 36407              | 26511-1                      | 17739-1                 | 24789-1                  | 23066-3                   | 26638-3                    |
| 3640701            | 17854-1                      | 17207-1                 | 24789-1                  | 23066-3                   | 26638-3                    |
| 36474              | 26512-1                      | 17739-1                 | 24789-1                  | 23066-3                   | 26638-3                    |
| 36408              | 26511-1                      | 26622-1                 | 24789-1                  | 23066-3                   | 26638-3                    |
| 3640801            | 17854-1                      | 17207-1                 | 24789-1                  | 23066-3                   | 26638-3                    |
| 36475              | 26512-1                      | 26622-1                 | 24789-1                  | 23066-3                   | 26638-3                    |
| 36409              | 26511-1                      | 17864-2                 | 24789-1                  | 23066-3                   | 26638-3                    |
| 3640901            | 17854-1                      | 17855-2                 | 24789-1                  | 23066-3                   | 26638-3                    |
| 36476              | 26512-1                      | 17862-2                 | 24789-1                  | 23066-3                   | 26638-3                    |

## HEATING ELEMENT, POWER CORD, CONTROLLER, PILOT LIGHT, AND CONTROL KNOB REPLACEMENT PARTS FOR THERMOSTATIC CONTROL WELLS

| 304 HOT WELL MODEL | HEATING ELEMENT (ITEM NO. 6) | POWER CORD (ITEM NO. 9) | CONTROLLER (ITEM NO. 12) | PILOT LIGHT (ITEM NO. 13) | CONTROL KNOB (ITEM NO. 14) |
|--------------------|------------------------------|-------------------------|--------------------------|---------------------------|----------------------------|
| 3646610            | 26510-1                      | 17085-1                 | 17795-1                  | 23065-3                   | 23423-1                    |
| 3646611            | 17853-1                      | 17085-1                 | 17795-1                  | 23065-3                   | 23423-1                    |
| 3646710            | 26511-1                      | 17739-1                 | 17795-1                  | 23066-3                   | 23423-1                    |
| 3646711            | 17854-1                      | 17739-1                 | 17795-1                  | 23066-3                   | 23423-1                    |
| 3647110            | 26512-1                      | 17739-1                 | 17795-1                  | 23066-3                   | 23423-1                    |
| 3639910            | 26510-1                      | 17860-1                 | 17795-1                  | 23065-3                   | 23423-1                    |
| 3639911            | 17853-1                      | 26618-1                 | 17795-1                  | 23065-3                   | 23423-1                    |
| 3640010            | 26511-1                      | 17739-1                 | 17795-1                  | 23066-3                   | 23423-1                    |
| 3640011            | 17854-1                      | 26622-1                 | 17795-1                  | 23066-3                   | 23423-1                    |
| 3647210            | 26512-1                      | 17739-1                 | 17795-1                  | 23066-3                   | 23423-1                    |
| 3640410            | 26510-1                      | 17860-1                 | 17795-1                  | 23065-3                   | 23423-1                    |
| 3640411            | 17853-1                      | 26618-1                 | 17795-1                  | 23065-3                   | 23423-1                    |
| 3640510            | 26511-1                      | 17739-1                 | 17795-1                  | 23066-3                   | 23423-1                    |
| 3640511            | 17854-1                      | 26622-1                 | 17795-1                  | 23066-3                   | 23423-1                    |
| 3647310            | 26512-1                      | 17739-1                 | 17795-1                  | 23066-3                   | 23423-1                    |
| 3640610            | 26510-1                      | 26615-1                 | 17795-1                  | 23065-3                   | 23423-1                    |
| 3640710            | 26511-1                      | 17739-1                 | 17795-1                  | 23066-3                   | 23423-1                    |
| 3640711            | 17854-1                      | 17207-1                 | 17795-1                  | 23066-3                   | 23423-1                    |
| 3647410            | 26512-1                      | 17739-1                 | 17795-1                  | 23066-3                   | 23423-1                    |
| 3640810            | 26511-1                      | 26622-1                 | 17795-1                  | 23066-3                   | 23423-1                    |
| 3640811            | 17854-1                      | 17207-1                 | 17795-1                  | 23066-3                   | 23423-1                    |
| 3647510            | 26512-1                      | 26622-1                 | 17795-1                  | 23066-3                   | 23423-1                    |
| 3640910            | 26511-1                      | 17864-2                 | 17795-1                  | 23066-3                   | 23423-1                    |
| 3640911            | 17854-1                      | 17855-2                 | 17795-1                  | 23066-3                   | 23423-1                    |
| 3647610            | 26512-1                      | 17862-2                 | 17795-1                  | 23066-3                   | 23423-1                    |