



Outperform every day.™

# Operator's Manual

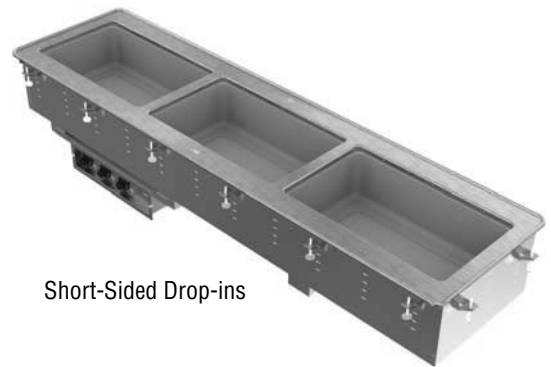
## Hot Well Drop-ins



Modular Drop-ins



Bain Marie Drop-ins



Short-Sided Drop-ins

Thank you for purchasing this Vollrath equipment. Before operating the equipment, read and familiarize yourself with the following operating and safety instructions. **SAVE THESE INSTRUCTIONS FOR FUTURE REFERENCE.** Save the original box and packaging. Use this packaging to ship the equipment if repairs are needed.

### SAFETY PRECAUTIONS

To ensure safe operation, read the following statements and understand their meaning. This manual contains safety precautions which are explained below. Please read carefully.

#### **WARNING**

Warning is used to indicate the presence of a hazard that will or can cause severe personal injury or death.

#### **CAUTION**

Caution is used to indicate the presence of a hazard that will or can cause minor or major personal injury if the caution is ignored.

**NOTICE:** Notice is used to note information that is important but not hazard-related.

#### **To reduce risk of injury or damage to the equipment:**

- This equipment must be installed by a qualified person.
- Use only grounded electrical outlets that match the rated voltage on the nameplate.

**NOTICE:** Do NOT modify the cord or plug on the drop-in. Modifying any component may damage the drop-in or cause injury, and will void the warranty. See the specification sheet on [Vollrath.com](http://Vollrath.com) for electrical specifications.

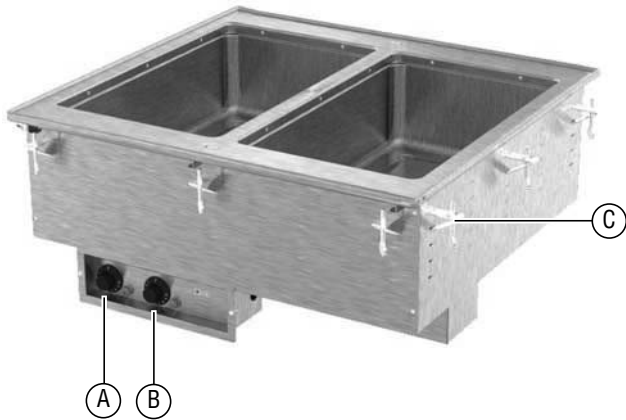
- Do not use an extension cord with this equipment. Do not plug this equipment into a power strip or multi-outlet power cord.
- This equipment should only be used in a flat, level position.
- Do not spray the controls or the outside of equipment with liquids or cleaning agents.
- Keep the equipment and power cord away from open flames, electric burners or excessive heat.
- Do not use food pans deeper than 6" (15.2 cm).
- Do not operate equipment if it is damaged or malfunctioning.
- Do not operate unattended.
- Unplug and allow the equipment to cool before cleaning or moving.
- Handle hot water carefully.
- Do not clean this equipment with steel wool.

Please register your product at [Vollrath.com/Warranty](http://Vollrath.com/Warranty)

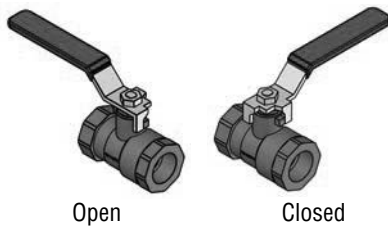
## FUNCTION AND PURPOSE

This drop-in is intended and designed to hold containers of food at proper serving temperatures. Hot food stations are not intended or designed to cook raw food or to reheat prepared food. Food must be prepared and placed in food stations at proper serving temperatures. This equipment is not intended for household, industrial or laboratory use.

## FEATURES AND CONTROLS



- A** TEMPERATURE CONTROL. Used to set or adjust the temperature of the well. The larger the number the higher the temperature, the smaller the number the lower the temperature. The "0" position is off.
- B** POWER INDICATOR LIGHT. Illuminates when the well is in the heating mode.
- C** THUMBSCREW. Secures the drop-in to the mounting surface.
- D** DRAIN VALVE (not shown). Used to empty water from the well(s).



## OPERATION

|  |  |
|--|--|
|  | <b>WARNING</b><br><b>Electrical Shock Hazard</b><br>Keep water and other liquids from entering the inside of the unit. Liquid inside the unit could cause an electrical shock. |
|--|--|

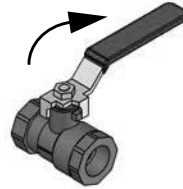
Do not over fill pans or trays. Liquid could contact the electrical components and cause a short circuit or an electrical shock.

|  |  |
|--|--|
|  | <b>CAUTION</b><br><b>Burn Hazard</b><br>Do not touch hot food, liquid or heating surfaces while equipment is heating or operating. |
|--|--|

**NOTICE:** Drop-in meets NSF4 performance standards only when using moist heat. Operation with water is required for even heating of the food product.

**NOTICE:** Do not use food pans deeper than 6" (15.2 cm).

1. Check the drain valve(s) to verify it is in the closed position to prevent water from draining out.



2. Fill each well with  $\frac{3}{8}$ " (1 cm) of clean hot water. Do not over fill.
3. Plug electrical power cord into a outlet that matches the rated voltage on the nameplate.
4. Preheat the water in the wells by covering wells with empty food containers or covers. Turn the temperature control to the maximum heat setting. Preheat for 60 minutes.
5. Place containers of hot food, above 140 °F (60 °C), into preheated equipment.
6. Reduce heat setting to a level that will maintain a safe holding temperature and maintain food quality.

**NOTICE:** Monitor food temperature closely for food safety. The United States Public Health Service recommends that hot food be held at a minimum of 140 °F (60 °C) to help prevent bacteria growth. Maintain correct water level and temperature setting. Periodically remove food container and check the water level. Add water in needed.

7. Maintain water level during operation. Periodically (approximately every 2 hours) remove the containers of food and check the water level. Add hot water if needed.
8. Use gloves, mitts or pot holders to protect hands when removing hot food containers.

## CLEANING



### CAUTION

#### Burn Hazard

Hot surfaces and food can burn skin. Allow the hot surfaces to cool before handling.

To maintain the appearance and increase the service life, clean your equipment daily.

**NOTICE: Do not use caustic cleaning chemicals, steel wool or commercial lime removal products to clean the equipment. Thoroughly rinse equipment with water after cleaning.**

1. Turn the heat control to the “0” setting or turn the power switch (some models) to the OFF position.
2. Unplug the drop-in.
3. Use gloves, mitts or pot holders to protect hands when removing hot food containers.
4. Rotate the drain valve(s) to the open position. Drain the water.



5. Use a damp cloth or sponge dipped in soapy water to clean the inside of the well and the outside of the equipment.
6. Thoroughly rinse equipment with water after cleaning.
7. Rotate the valve to the closed position,

## TROUBLESHOOTING

| Problem   | Might be Caused By                 | Course of Action  |
|---|------------------------------------|---|
| Unit does not get to correct temperature or to a high temperature | Low or incorrect voltage to unit.  | Verify that voltage rating in unit matches the source voltage. If not have qualified electrical personal install proper source voltage. |
|   | No water or incorrect water level. | Add water to correct level.   |

## ITEM NUMBERS

|                             |                 |                   |           |                  |                  |                 |                             |                              |
|-----------------------------|-----------------|-------------------|-----------|------------------|------------------|-----------------|-----------------------------|------------------------------|
| <b>Bain Marie Two Pan</b>   | 3646611HD       | 3640060           | 3640460   | 3640460HD        | 3647450HD        | 3647560HD       | <b>Short-Sided Two Well</b> | 3664830HD                    |
| 36500                       | 3646711HD       | 3640080           | 3640410   | 3640480HD        | 3647470HD        | 3647580HD       | 36646                       | 3664930HD                    |
| 36501208                    | 364666HD        | 3647260           | 3640470   | 3640560HD        | 3640761HD        | <b>Six Well</b> | 3664620                     | 36642HD                      |
| 36501240                    | 3646610HD       | 3640080           | 3640480   | 3640580HD        | 3640781HD        | 3640901         | 3664630                     | 36643HD                      |
| <b>Bain Marie Three Pan</b> | 36467HD         | 3639901           | 36405     | 3647360HD        | 3640660HD        | 3640911         | 36647                       | 3664220HD                    |
| 36502                       | 3646710HD       | 3639911HD         | 3640550   | 3647380HD        | 3640680HD        | 36409           | 3664720                     | 3664320HD                    |
| 36503208                    | 36471HD         | 3640001HD         | 3640560   | <b>Four Well</b> | 3640760HD        | 3640910         | 3664730                     | 3664230HD                    |
| 36503240                    | 3647110HD       | 3640011HD         | 3640510   | 36406            | 3640780HD        | 36476           | 36640                       | 3664330HD                    |
| <b>Bain Marie Four Pan</b>  | 3646661HD       | 36399HD           | 3640570   | 3640650          | 3647460HD        | 3647610         | 3664020                     | <b>Short-Sided Four Well</b> |
| 36504208                    | 3646681HD       | 3639910HD         | 3640580   | 3640660          | 3647480HD        | 3640951         | 3664030                     | 36650                        |
| 36504240                    | 3646761HD       | 36400HD           | 3640501   | 3640610          | <b>Five Well</b> | 3640971         | 36641                       | 36651                        |
| <b>Bain Marie Five Pan</b>  | 3646781HD       | 3640010HD         | 3640551   | 3640670          | 36408            | 3640950         | 3664120                     | 3665020                      |
| 36505208                    | 3646660HD       | 36472HD           | 3640561   | 3640680          | 3640850          | 3640970         | 3664130                     | 3665120                      |
| 36505240                    | 3646680HD       | 3647210HD         | 3640511   | 36407            | 3640860          | 3647650         | 36646HD                     | 3665030                      |
| <b>Bain Marie Six Pan</b>   | 3646760HD       | 3639951HD         | 3640571   | 3640750          | 3640810          | 3647670         | 36647HD                     | 3665130                      |
| 36506208                    | 3646780HD       | 3639971HD         | 3640581   | 3640760          | 3640870          | 3640961         | 3664620HD                   | 36644                        |
| 36506240                    | 3647160HD       | 3640051HD         | 36473     | 3640710          | 3640880          | 3640981         | 3664720HD                   | 36645                        |
| <b>One Well</b>             | 3647180HD       | 3640071HD         | 3647350   | 3640770          | 3640801          | 3640960         | 3664730HD                   | 3664420                      |
| 3646601                     | <b>Two Well</b> | 3639950HD         | 3647360   | 3640780          | 3640851          | 3640980         | 36640HD                     | 3664430                      |
| 3646661                     | 3639901         | 3639970HD         | 3647310   | 3640701          | 3640861          | 3647660         | 36641HD                     | 3664430                      |
| 3646611                     | 3639911         | 3640050HD         | 3647370   | 3640751          | 3640811          | 3647680         | 3664020HD                   | 3664530                      |
| 3646681                     | 3640001         | 3640070HD         | 3647380   | 3640761          | 3640871          | 3647680         | 3664120HD                   | 36650HD                      |
| 36466                       | 3640011         | 3647250HD         | 3640401HD | 3640711          | 3640881          | 3640911HD       | 3664030HD                   | 36651HD                      |
| 3646660                     | 36399           | 3647270HD         | 3640411HD | 3640771          | 36475            | 36409HD         | 3664130HD                   | 3665020HD                    |
| 3646610                     | 3639910         | 3639961HD         | 3640501HD | 3640781          | 3647550          | 3640910HD       | 366420HD                    | 3665120HD                    |
| 3646680                     | 36400           | 3639981HD         | 3640451HD | 36474            | 3647560          | 36476HD         | 366430HD                    | 3665130HD                    |
| 36467                       | 3640010         | 3640061HD         | 3640471HD | 3647450          | 3647510          | 3647610HD       | 36644                       | 3665130HD                    |
| 3646760                     | 36472           | 3640081HD         | 3640551HD | 3647460          | 3647570          | 3640951HD       | 36648                       | 3665130HD                    |
| 3646710                     | 3647210         | 3639960HD         | 3640571HD | 3647410          | 3647580          | 3640971HD       | 3664820                     | 36644HD                      |
| 3646780                     | 3639951         | 3639980HD         | 3640461HD | 3647470          | 3647580          | 3640950HD       | 3664830                     | 36645HD                      |
| 3646701                     | 3639971         | 3640060HD         | 3640481HD | 3647480          | 3640801HD        | 3640970HD       | 36649                       | 3664420HD                    |
| 3646761                     | 3640051         | 3640080HD         | 3640561HD | 3640701HD        | 36408HD          | 3647650HD       | 3664920                     | 3664520HD                    |
| 3646711                     | 3640071         | 3647260HD         | 3640581HD | 3640711HD        | 3640810HD        | 3647670HD       | 3664930                     | 3664430HD                    |
| 3646781                     | 3639950         | 3640080HD         | 36404HD   | 36406HD          | 36475HD          | 3640961HD       | 36642                       | 3664530HD                    |
| 36471                       | 3639970         | 3647260HD         | 3640410HD | 3640610HD        | 3647510HD        | 3640981HD       | 3664220                     |                              |
| 3647160                     | 3640050         | 3647280HD         | 36405HD   | 36407HD          | 3640851HD        | 3640960HD       | 3664230                     |                              |
| 3647110                     | 3640070         | <b>Three Well</b> | 3640510HD | 3640710HD        | 3640871HD        | 3640980HD       | 36643                       |                              |
| 3647180                     | 3647250         | 3640401           | 36473HD   | 36474HD          | 3640850HD        | 3647660HD       | 3664320                     |                              |
| 3646601HD                   | 3647270         | 3640451           | 3647310HD | 3647410HD        | 3640870HD        | 3647550HD       | 3664330                     |                              |
| 3646611HD                   | 3639961         | 3640461           | 3640450HD | 3640751HD        | 3640811HD        | 3647570HD       | 36648HD                     |                              |
|                             | 3639981         | 3640411           | 3640470HD | 3640771HD        | 3640881HD        | 3647680HD       | 36649HD                     |                              |
|                             | 3647110         | 3640471           | 3640550HD | 3640650HD        | 3640861HD        |                 | 3664820HD                   |                              |
|                             | 3647180         | 3640481           | 3640570HD | 3640670HD        | 3640881HD        |                 | 3664920HD                   |                              |
|                             | 3646601HD       | 36404             | 3647350HD | 3640750HD        | 3640860HD        |                 | 3664930HD                   |                              |
|                             | 3646611HD       | 3639980           | 3640450   | 3647370HD        | 3640770HD        |                 | 3664220                     |                              |

## SERVICE AND REPAIR

Serviceable parts are available on Vollrath.com.

To avoid serious injury or damage, never attempt to repair the unit or replace a damaged power cord yourself. Do not send units directly to The Vollrath Company LLC. Please contact Vollrath Technical Services for instructions.

When contacting Vollrath Technical Services, please be ready with the item number, model number (if applicable), serial number, and proof of purchase showing the date the unit was purchased.

## WARRANTY STATEMENT FOR THE VOLLRATH CO. L.L.C.

This warranty does not apply to products purchased for personal, family or household use, and The Vollrath Company LLC does not offer a written warranty to purchasers for such uses.

The Vollrath Company LLC warrants the products it manufactures or distributes against defects in materials and workmanship as specifically described in our full warranty statement. In all cases, the warranty runs from the date of the end user's original purchase date found on the receipt. Any damages from improper use, abuse, modification or damage resulting from improper packaging during return shipment for warranty repair will not be covered under warranty.

For complete warranty information, product registration and new product announcement, visit [www.vollrath.com](http://www.vollrath.com).



Outperform every day.™

[www.vollrath.com](http://www.vollrath.com)

### The Vollrath Company, L.L.C.

1236 North 18th Street  
 Sheboygan, WI 53081-3201 U.S.A.  
 Main Tel: 800.624.2051 or 920.457.4851  
 Main Fax: 800.752.5620 or 920.459.6573  
 Customer Service: 800.628.0830  
 Canada Customer Service: 800.695.8560

### Technical Services

[techservices@vollrathco.com](mailto:techservices@vollrathco.com)  
 Induction Products: 800.825.6036  
 Countertop Warming Products: 800.354.1970  
 All Other Products: 800.628.0832

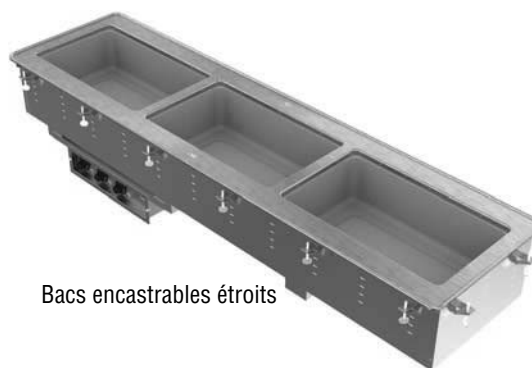
## Bacs encastrables pour aliments chauds



Bacs encastrables modulaires



Bain-marie encastrables



Bacs encastrables étroits

Merci d'avoir acheté cet appareil Vollrath. Avant de l'utiliser, lisez et familiarisez-vous avec le mode d'emploi et les consignes d'utilisation qui suivent. **CONSERVEZ CES INSTRUCTIONS POUR RÉFÉRENCE ULTÉRIEURE.** Conservez l'emballage et le carton d'origine. L'emballage devra être réutilisé pour expédier l'appareil si une réparation est nécessaire.

### CONSIGNES DE SÉCURITÉ

Pour garantir un fonctionnement sûr, lisez les avertissements suivants et comprenez leur signification. Ce manuel contient des consignes de sécurité, présentées ci-dessous. Lisez-les attentivement.

#### **AVERTISSEMENT**

Un avertissement permet d'indiquer la présence d'un danger qui causera ou peut causer des blessures personnelles graves ou la mort.

#### **ATTENTION**

Une mise en garde indique la présence d'un danger qui causera ou pourra causer des blessures mineures ou majeures si elle est ignorée.

**AVIS :** Un avis met en évidence des informations qui sont importantes mais sans rapport avec un danger.

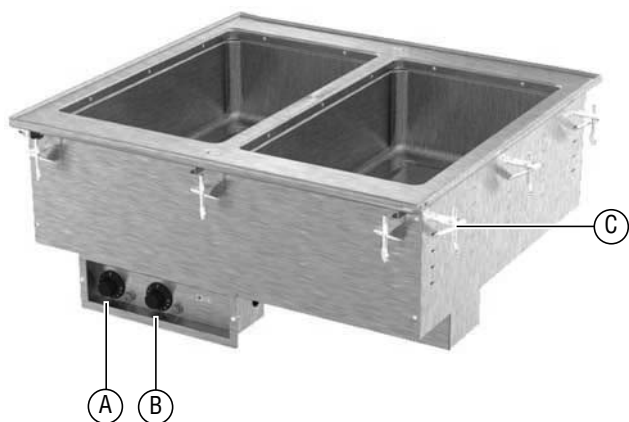
#### **Pour réduire le risque de blessures et d'endommagement de l'appareil :**

- Cet appareil doit être installé par un personnel qualifié.
- Utilisez l'appareil uniquement sur une prise de terre correspondant à la tension nominale indiquée sur la plaque signalétique.
- **AVIS :** **NE PAS modifier le câble ou la fiche électrique du bac encastrable. La modification d'un quelconque composant risque d'endommager le bac encastrable ou de causer des blessures, et elle annulera la garantie. Pour les caractéristiques électriques, voir la fiche des caractéristiques techniques sur Vollrath.com.**
- N'utilisez pas de rallonge électrique avec cet appareil. Ne branchez pas cet appareil sur une barrette d'alimentation ou un cordon d'alimentation à prises multiples.
- Cet appareil doit uniquement être utilisé en position horizontale sur une surface plane.
- Ne vaporisez pas les commandes ou l'extérieur de l'appareil avec des liquides ou des produits nettoyants.
- Tenez l'appareil et le cordon d'alimentation à l'écart des flammes nues, des brûleurs électriques ou d'une chaleur excessive.
- N'utilisez pas de bacs Gastronorm de plus de 6" (15,2 cm) de profondeur.
- N'utilisez pas l'appareil s'il a été endommagé ou s'il fonctionne mal.
- N'utilisez pas l'appareil sans surveillance.
- Débranchez l'appareil et laissez-le refroidir avant de le nettoyer ou de le déplacer.
- Manipulez l'eau chaude avec précaution.
- Ne nettoyez pas cet appareil à la laine d'acier.

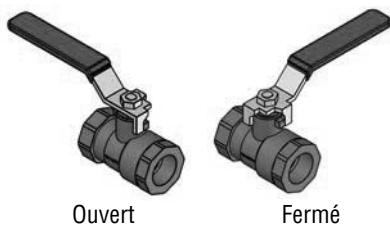
## FONCTION ET OBJET

Ce bac encastrable est destiné et a été conçu pour maintenir les bacs Gastronorm contenant des aliments aux températures de service adéquates. Les stations pour aliments chauds ne sont pas prévues pour la cuisson d'aliments crus ou la remise en température de plats préparés. Les aliments doivent être préparés et placés dans les stations pour aliments aux températures correctes de service. Cet appareil n'est pas prévu pour une utilisation ménagère, industrielle ou en laboratoire.

## CARACTÉRISTIQUES ET COMMANDES



- A** THERMOSTAT. Permet de régler la température du bac. Plus le nombre est élevé, plus la température est haute, et inversement. À la position 0, l'appareil est arrêté.
- B** VOYANT MARCHE. S'allume quand le compartiment est en mode Chauffe.
- C** VIS À OREILLES. Fixe le bac encastrable à la surface de montage.
- D** ROBINET DE VIDANGE (non illustré). Permet de vider l'eau du ou des compartiments.



## MODE D'EMPLOI

|  |  |
|--|--|
|   | <b>AVERTISSEMENT</b><br><b>Risque d'électrocution</b><br>Empêchez toute infiltration d'eau et autres liquides dans l'appareil. L'infiltration de liquide dans l'appareil risque de causer une électrocution. |
| Ne remplissez pas trop les bacs ou les plateaux. Du liquide risque d'entrer en contact avec les composants électriques et de causer un court-circuit ou une décharge électrique. |  |
|   | <b>ATTENTION</b><br><b>Risque de brûlure</b><br>Ne touchez pas les aliments chauds, le liquide ou les surfaces de chauffe quand l'appareil chauffe ou fonctionne.  |

**AVIS :** Le bac encastrable est conforme aux normes de performance NSF4 uniquement avec une chaleur humide. Une utilisation avec de l'eau est requise pour le chauffage uniforme du produit alimentaire.

**AVIS :** N'utilisez pas de bacs Gastronorm de plus de 6" (15,2 cm) de profondeur.

1. Vérifiez le robinet de vidange pour vous assurer qu'il est en position fermée afin d'empêcher l'évacuation d'eau.



2. Remplissez chaque compartiment d'eau chaude propre [ $\frac{3}{8}$ " (1 cm)]. Ne remplissez pas trop.
3. Branchez le câble électrique sur une prise indiquant la tension nominale de la plaque signalétique.
4. Préchauffez l'eau dans les compartiments en les couvrant avec des bacs Gastronorm vides ou des couvercles. Tournez le thermostat au réglage maximum. Préchauffez pendant 60 minutes.
5. Placez les récipients d'aliments chauds à plus de 140 °F (60 °C) dans l'appareil préchauffé.
6. Baissez la température à un niveau qui assurera le maintien des aliments à une température sûre et garantissant leur qualité.

**AVIS :** Surveillez de près la température des aliments pour maintenir la sécurité des aliments. Les services d'hygiène publique des États-Unis préconisent le maintien des aliments chauds à 140 °F (60 °C) minimum pour éviter la prolifération des bactéries. Maintenez l'eau et la température au niveau correct. Enlevez périodiquement le bac contenant les aliments et vérifiez le niveau d'eau. Ajoutez de l'eau au besoin.

7. Maintenez le niveau d'eau en cours d'utilisation. Enlevez périodiquement (toutes les 2 heures environ) les récipients contenant les aliments et vérifiez le niveau d'eau. Ajoutez de l'eau chaude au besoin.
8. Lorsque vous retirez des récipients d'aliments chauds de l'appareil, munissez-vous de gants de four ou de maniques pour vous protéger les mains.

## NETTOYAGE



### ATTENTION

#### Risque de brûlure

Les surfaces et aliments chauds peuvent causer des brûlures. Laissez refroidir les surfaces chaudes avant manipulation.

Pour maintenir l'apparence et augmenter la durée de service, nettoyez chaque jour l'appareil.

**AVIS :** N'utilisez pas de produits chimiques nettoyants caustiques, de laine d'acier ou de détartrants commerciaux pour nettoyer l'appareil. Rincez minutieusement l'appareil à l'eau après nettoyage.

1. Mettez le thermostat à 0 ou mettez l'interrupteur de marche/arrêt (certains modèles) en position Arrêt.
2. Débranchez le bac encastrable.
3. Lorsque vous retirez des récipients d'aliments chauds de l'appareil, munissez-vous de gants de four ou de maniques pour vous protéger les mains.
4. Ouvrez le robinet de vidange. Videz l'eau.



5. A l'aide d'un chiffon humide ou d'une éponge trempée dans de l'eau savonneuse, nettoyez l'intérieur du compartiment et l'extérieur de l'appareil.
6. Rincez minutieusement l'appareil à l'eau après nettoyage.
7. Fermez le robinet de vidange.

## DÉPANNAGE

| Problème   | Cause possible                              | Mesure corrective  |
|--|---|--|
| L'appareil ne chauffe pas à la température correcte ou à une température élevée. | Tension d'alimentation basse ou incorrecte. | Vérifiez si la tension nominale de l'appareil correspond à la tension d'alimentation. Sinon, demandez à un électricien qualifié d'installer une alimentation de la tension correcte. |
|  | Pas d'eau ou niveau d'eau incorrect.        | Ajoutez de l'eau jusqu'au niveau correct.  |

## NUMÉROS DE RÉF.

|                                |                           |                            |           |                             |                           |                          |                                    |                                     |
|--------------------------------|---------------------------|----------------------------|-----------|-----------------------------|---------------------------|--------------------------|------------------------------------|-------------------------------------|
| <b>Bain-marie, deux bacs</b>   | 3647180                   | 3640061                    | 3640411   | 3640470HD                   | 3640751HD                 | 3640870HD                | 3647660HD                          | 3664820HD                           |
| 36500                          | 3646601HD                 | 3640081                    | 3640471   | 3640550HD                   | 3640771HD                 | 3647550HD                | 3647680HD                          | 3664920HD                           |
| 36501208                       | 3646611HD                 | 3639960                    | 3640481   | 3640570HD                   | 3640650HD                 | 3647570HD                | <b>Étroit, deux compartiments</b>  | 3664830HD                           |
| 36501240                       | 3646611HD                 | 3639980                    | 36404     | 3647350HD                   | 3640670HD                 | 3640861HD                | 36646                              | 3664930HD                           |
| <b>Bain-marie, trois bacs</b>  | 364666HD                  | 3640060                    | 3640450   | 3647370HD                   | 3640750HD                 | 3640881HD                | 3664620                            | 36642HD                             |
| 36502                          | 3646610HD                 | 3640080                    | 3640460   | 3640460HD                   | 3640770HD                 | 3640860HD                | 3664630                            | 36643HD                             |
| 36503208                       | 3646710HD                 | 3647260                    | 3640410   | 3640480HD                   | 3647450HD                 | 3640880HD                | 36647                              | 3664220HD                           |
| 36503240                       | 36471HD                   | 3639901                    | 3640470   | 3640560HD                   | 3647470HD                 | 3647560HD                | 3664720                            | 3664320HD                           |
| <b>Bain-marie, quatre bacs</b> | 3646661HD                 | 3639911HD                  | 3640480   | 3640580HD                   | 3640761HD                 | 3647580HD                | 3664730                            | 3664230HD                           |
| 36504208                       | 3646681HD                 | 3640011HD                  | 36405     | 3647360HD                   | 3640781HD                 | <b>Six compartiments</b> | 36640                              | 3664330HD                           |
| 36504240                       | 3646761HD                 | 363999HD                   | 3640550   | <b>Quatre compartiments</b> | 3640660HD                 | 3640901                  | 3664020                            | <b>Étroit, quatre compartiments</b> |
| <b>Bain-marie, cinq bacs</b>   | 3646660HD                 | 3639910HD                  | 3640560   | 36406                       | 3640760HD                 | 3640911                  | 3664030                            | 36650                               |
| 36505208                       | 3646781HD                 | 3639910HD                  | 3640570   | 3640650                     | 3640780HD                 | 3640911                  | 36641                              | 36651                               |
| 36505240                       | 3646680HD                 | 36400HD                    | 3640580   | 3640660                     | 3647460HD                 | 3640910                  | 3664120                            | 3665020                             |
| <b>Bain-marie, six bacs</b>    | 3646660HD                 | 3640010HD                  | 3640501   | 3640610                     | 3647480HD                 | 36476                    | 3664130                            | 3665120                             |
| 36506208                       | 3646760HD                 | 3647210HD                  | 3640561   | 3640670                     | <b>Cinq compartiments</b> | 3647610                  | 36646HD                            | 3665120                             |
| 36506240                       | 3646780HD                 | 3639951HD                  | 3640511   | 3640680                     | 36408                     | 3640971                  | 36647HD                            | 3665030                             |
| <b>Un compartiment</b>         | 3647160HD                 | 3639971HD                  | 3640571   | 36407                       | 3640850                   | 3640950                  | 3664720HD                          | 36644                               |
| 3646601                        | 3647180HD                 | 3640051HD                  | 3640581   | 3640750                     | 3640860                   | 3640970                  | 3664630HD                          | 36645                               |
| 3646661                        | <b>Deux compartiments</b> | 3640071HD                  | 36473     | 3640760                     | 3640810                   | 3647650                  | 3664730HD                          | 3664420                             |
| 3646611                        | 3639901                   | 3639950HD                  | 3647350   | 3640710                     | 3640870                   | 3647670                  | 36640HD                            | 3664520                             |
| 3646681                        | 3639911                   | 3639970HD                  | 3647360   | 3640770                     | 3640880                   | 3640961                  | 36641HD                            | 3664430                             |
| 36466                          | 3640001                   | 3640050HD                  | 3647310   | 3640780                     | 3640801                   | 3640981                  | 3664020HD                          | 3664530                             |
| 3646660                        | 3640011                   | 3640070HD                  | 3647370   | 3640701                     | 3640851                   | 3640960                  | 3664120HD                          | 36650HD                             |
| 3646610                        | 36399                     | 3647250HD                  | 3647380   | 3640751                     | 3640861                   | 3640980                  | 3664030HD                          | 36651HD                             |
| 3646680                        | 3639910                   | 3647270HD                  | 3640401HD | 3640761                     | 3640811                   | 3647660                  | 3664130HD                          | 3665020HD                           |
| 36467                          | 36400                     | 3639961HD                  | 3640411HD | 3640711                     | 3640871                   | 3647680                  | <b>Étroit, trois compartiments</b> | 3665120HD                           |
| 3646760                        | 3640010                   | 3639981HD                  | 3640501HD | 3640771                     | 3640881                   | 3640901HD                | 36648                              | 3665030HD                           |
| 3646710                        | 36472                     | 3640061HD                  | 3640451HD | 3640781                     | 36475                     | 3640911HD                | 3664820                            | 3665130HD                           |
| 3646780                        | 3639951                   | 3640081HD                  | 3640471HD | 36474                       | 3647550                   | 36409HD                  | 3664830                            | 36644HD                             |
| 3646701                        | 3639971                   | 3639960HD                  | 3640551HD | 3647450                     | 3647560                   | 3640910HD                | 36649                              | 36645HD                             |
| 3646761                        | 3640051                   | 3639980HD                  | 3640571HD | 3647460                     | 3647510                   | 36476HD                  | 3664920                            | 3664420HD                           |
| 3646711                        | 3639971                   | 3640060HD                  | 3640461HD | 3647410                     | 3647570                   | 3647610HD                | 3664930                            | 3664520HD                           |
| 3646781                        | 3640071                   | 3640080HD                  | 3640481HD | 3647470                     | 3647580                   | 3640951HD                | 36642                              | 3664430HD                           |
| 36471                          | 3640071                   | 3647260HD                  | 3640561HD | 3647480                     | 3640801HD                 | 3640971HD                | 3664220                            | 3664530HD                           |
| 3647160                        | 3639950                   | 3640080HD                  | 3640581HD | 3640701HD                   | 3640811HD                 | 3640950HD                | 3664230                            |                                     |
| 3647110                        | 3639970                   | 3647260HD                  | 36404HD   | 3640711HD                   | 36408HD                   | 3640970HD                | 36643                              |                                     |
|                                | 3640050                   | 3647280HD                  | 3640410HD | 36406HD                     | 3640810HD                 | 3647650HD                | 3664320                            |                                     |
|                                | 3640070                   | <b>Trois compartiments</b> | 36405HD   | 3640610HD                   | 36475HD                   | 3647670HD                | 3664330                            |                                     |
|                                | 3647250                   | 3640401                    | 3640510HD | 36407HD                     | 3647510HD                 | 3640961HD                | 36648HD                            |                                     |
|                                | 3647270                   | 3640451                    | 36473HD   | 3640710HD                   | 3640851HD                 | 3640981HD                | 36649HD                            |                                     |
|                                | 3639961                   | 3640451                    | 3647310HD | 36474HD                     | 3640871HD                 | 3640960HD                |                                    |                                     |
|                                | 3639981                   | 3640461                    | 3640450HD | 3647410HD                   | 3640850HD                 | 3640980HD                |                                    |                                     |

## SAV ET RÉPARATIONS

Des pièces détachées sont disponibles sur Vollrath.com.

Pour éviter toute blessure grave ou tout dommage sévère, n'essayez jamais de réparer l'appareil ou de remplacer vous-même un cordon d'alimentation endommagé. N'envoyez aucun appareil directement à la Vollrath Company LLC. Pour des instructions, contactez les services techniques de Vollrath.

Lorsque vous contacterez les services techniques de Vollrath, tenez-vous prêt à fournir le numéro d'article, le numéro de modèle (s'il y a lieu), le numéro de série et le justificatif d'achat indiquant la date d'achat de l'appareil.

## GARANTIE DE THE VOLLRATH CO. L.L.C.

Cette garantie ne s'applique pas aux produits achetés pour un usage personnel, familial ou ménager, et The Vollrath Company LLC ne propose aucune garantie écrite aux acheteurs pour de telles utilisations.

The Vollrath Company L.L.C. garantit que les produits qu'elle fabrique et distribue seront dépourvus de vices de matériaux et de malfaçons, comme indiqué dans notre déclaration complète de garantie. Dans tous les cas, la garantie entre en vigueur à la date d'achat par l'utilisateur initial indiquée sur le reçu. Tous les dommages subis lors d'une utilisation impropre ou abusive, ou résultant d'une modification ou d'un emballage inadapté lors d'un renvoi du produit pour une réparation sous garantie ne seront pas couverts par la garantie.

Pour des informations complètes sur la garantie, l'enregistrement des produits et l'annonce de nouveaux produits, consultez [www.vollrath.com](http://www.vollrath.com).



Outperform every day.™

[www.vollrath.com](http://www.vollrath.com)

### The Vollrath Company, L.L.C.

1236 North 18th Street  
 Sheboygan, WI 53081-3201 U.S.A.  
 Téléphone : 800.624.2051 ou 920.457.4851  
 Télécopieur : 800.752.5620 ou 920.459.6573  
 Service clientèle : 800.628.0830  
 Service clientèle Canada : 800.695.8560

### Services techniques

[techservicereps@vollrathco.com](mailto:techservicereps@vollrathco.com)  
 Produits à induction : 800.825.6036  
 Réchauds de comptoir : 800.354.1970  
 Tous les autres produits : 800.628.0832

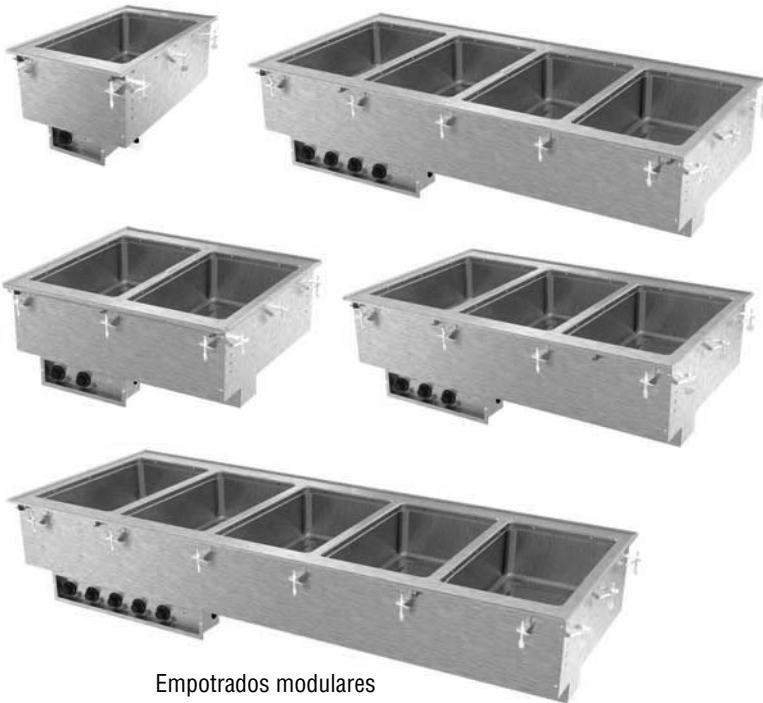




Outperform every day.™

# Manual del operador

## Empotrados con receptáculo caliente



Empotrados modulares



Empotrados para  
baño maría



Empotrados laterales cortos

Gracias por comprar este equipo Vollrath. Antes de usar el equipo, lea y familiarícese con las siguientes instrucciones de operación y seguridad. CONSERVE ESTAS INSTRUCCIONES COMO REFERENCIA PARA EL FUTURO. Conserve la caja y embalado originales. Deberá utilizarlos para devolver el equipo en caso de que requiera reparaciones.

### PRECAUCIONES DE SEGURIDAD

Para garantizar una operación segura, lea las siguientes afirmaciones y comprenda su significado. Este manual contiene precauciones de seguridad que se explican a continuación. Léalas atentamente.

#### **ADVERTENCIA**

Advertencia se usa para indicar la presencia de un peligro que provocará o puede provocar lesiones graves o letales.

#### **PRECAUCIÓN**

Precaución se usa para indicar la presencia de un peligro que provocará o puede provocar lesiones leves o importantes si se ignora el aviso.

**AVISO:** Aviso se usa para señalar información importante no relacionada con peligros.

### Para disminuir el riesgo de lesiones personales o daños al equipo:

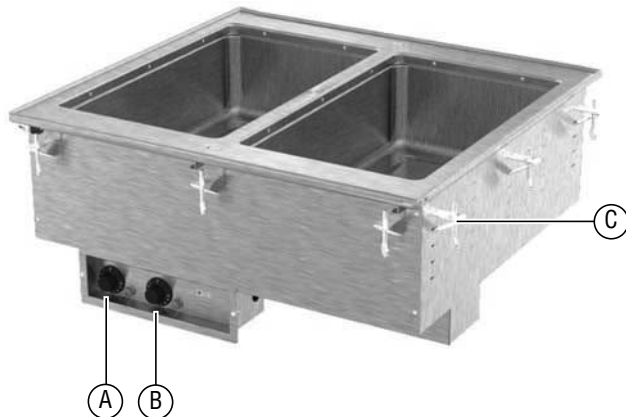
- El equipo debe ser instalado por una persona calificada.
- Enchúfelo solo en tomacorrientes con puesta a tierra cuyo voltaje nominal corresponda al indicado en la placa identificatoria.
- **AVISO: NO modifique el cable ni el enchufe del empotrado. Modificar cualquier componente puede dañar el empotrado o causar lesiones y anulará la garantía. En la hoja de especificaciones en Vollrath.com encontrará las especificaciones eléctricas.**
- No use un cable de extensión con este equipo. No enchufe este equipo en una regleta eléctrica ni cable de múltiples tomas.
- Este equipo debe utilizarse solo en posición plana y nivelada.
- No rocíe con líquidos ni agentes de limpieza los controles ni la parte externa del equipo.
- Mantenga el equipo y el cable eléctrico lejos de llamas expuestas, quemadores eléctricos o calor excesivo.
- No use fuentes de más de 6" (15,2 cm) de profundidad.
- No opere el equipo si se ha dañado o si funciona defectuosamente.
- No deje el equipo operando solo.
- Desenchúfelo y deje que se enfríe antes de limpiarlo o trasladarlo.
- Manipule cuidadosamente el agua caliente.
- No limpie este equipo con lana de acero.

Inscriba su producto en [Vollrath.com/Warranty](http://Vollrath.com/Warranty)

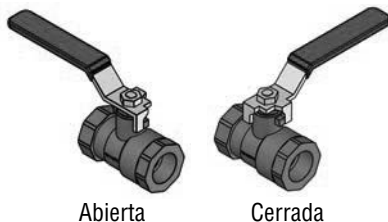
## FUNCIÓN Y PROPÓSITO

Este empotrado está diseñado para mantener recipientes de comida a temperaturas de servicio apropiadas. Las estaciones de comida caliente no están diseñadas ni tienen el propósito de cocer alimentos crudos ni de recalentar comida preparada. La comida debe prepararse y colocarse en las estaciones a temperaturas de servicio apropiadas. Este equipo no está diseñado para uso doméstico, industrial ni de laboratorio.

## CARACTERÍSTICAS Y CONTROLES



- A** CONTROL DE TEMPERATURA. Se usa para fijar o ajustar la temperatura del receptáculo. Mientras más grande o más pequeño sea el número, más alta o más baja es la temperatura respectivamente. La posición de "0" corresponde a apagado.
- B** LUZ INDICADORA DE ENERGÍA. Se ilumina cuando el receptáculo está en el modo de calentamiento.
- C** TORNILLO DE MANO. Afianza el empotrado a la superficie de montaje.
- D** VÁLVULA DE DRENAJE (no se muestra). Se usa para vaciar el agua del o los receptáculos.



## FUNCIONAMIENTO

|  |  |
|--|--|
|  | <b>ADVERTENCIA</b><br><b>Evite el peligro de descarga eléctrica</b><br>Evite que ingrese agua o cualquier otro tipo de líquido al interior de la unidad, ya que ello podría causar una descarga eléctrica. |
|--|--|

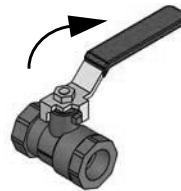
No llene excesivamente las fuentes ni bandejas. El líquido podría hacer contacto con los componentes eléctricos y causar un cortocircuito o una descarga eléctrica.

|  |  |
|--|--|
|  | <b>PRECAUCIÓN</b><br><b>Peligro de quemaduras</b><br>No toque la comida y líquidos calientes ni las superficies de calentamiento cuando el equipo esté calentando o funcionando. |
|--|--|

**AVISO:** El empotrado cumple con las normas de rendimiento NSF4 solo cuando se usa con calor húmedo. Debe funcionar con agua para calentar uniformemente la comida.

**AVISO:** No use fuentes de más de 6" (15,2 cm) de profundidad.

1. Verifique que la(s) válvula(s) de drenaje esté en la posición cerrada para impedir que se drene el agua.



2. Llene cada receptáculo con  $\frac{3}{8}$ " (1 cm) de agua caliente limpia. No lo llene excesivamente.
3. Enchufe el cable eléctrico en un tomacorriente cuyo voltaje nominal corresponda al indicado en la placa identificatoria.
4. Precaliente el agua en los receptáculos cubriéndolos con tapas o recipientes de comida vacíos. Gire el control de temperatura hasta el ajuste máximo de calor. Precaliente el agua durante 60 minutos.
5. Coloque los recipientes de comida caliente por sobre los 140 °F (60 °C), en el equipo precalentado.
6. Reduzca el ajuste de calor hasta un nivel que permita mantener una temperatura de conservación segura y la calidad de la comida.

**AVISO:** Supervise estrechamente la temperatura de los alimentos para mantenerlos seguros. El Servicio de Salud Pública de los Estados Unidos (United States Public Health Service) recomienda mantener los alimentos a un mínimo de 140 °F (60 °C) para prevenir el crecimiento de bacterias. Mantenga correctamente el nivel del agua y el ajuste de la temperatura. Retire periódicamente el recipiente de comida y revise el nivel del agua. Agregue agua si es necesario.

7. Mantenga el nivel del agua durante el funcionamiento. Retire periódicamente (aproximadamente cada 2 horas) los recipientes de comida y revise el nivel del agua. Agregue agua caliente si es necesario.
8. Use guantes, mitones o tovaallas para protegerse las manos cuando retire los recipientes de comida caliente.

---

## LIMPIEZA

---



### **PRECAUCIÓN**

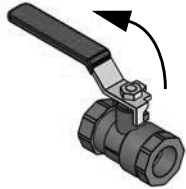
#### **Peligro de quemaduras**

Las superficies y comidas calientes pueden quemar la piel. Deje que las superficies calientes se enfríen antes de manipularlas.

Para conservar su aspecto hermoso y prolongar su vida útil, limpie diariamente el equipo.

**AVISO: No use productos de limpieza cáusticos, lana de acero ni productos de uso comercial para la eliminación de carbonatos a fin de limpiar el equipo. Enjuague completamente el equipo con agua tras limpiarlo.**

1. Gire el control térmico hasta su ajuste de cero "0" o gire el interruptor de suministro (algunos modelos) a la posición de apagado.
2. Desenchufe el empotrado.
3. Use guantes, mitones o tomaoallas para protegerse las manos cuando retire los recipientes de comida caliente.
4. Gire la(s) válvula(s) de drenaje a la posición abierta. Drene el agua.



5. Use un paño húmedo o esponja sumergida en agua jabonosa para limpiar el interior del receptáculo y la parte externa del equipo.
6. Enjuague completamente el equipo con agua tras limpiarlo.
7. Gire la válvula de drenaje a la posición cerrada.

---

## SOLUCIÓN DE PROBLEMAS

---

| Problema  | Podría deberse a                        | Solución   |
|---|---|--|
| La unidad no llega a la temperatura correcta o no alcanza la temperatura alta | Voltaje de la unidad bajo o incorrecto. | Verifique que el voltaje de la unidad corresponda al voltaje nominal indicado en la placa identificatoria. Si no es así, pida a personal eléctrico calificado que instale el suministro de voltaje correcto. |
|   | Sin agua o nivel de agua incorrecto.    | Agregue agua hasta el nivel correcto.  |

## NÚMEROS DE ARTÍCULO

|                       |                     |                     |           |                     |                     |                     |                     |                     |
|-----------------------|---------------------|---------------------|-----------|---------------------|---------------------|---------------------|---------------------|---------------------|
| <b>Baño maría</b>     | 3646611HD           | 3639980             | 3640450   | 3647370HD           | 3640750HD           | 3640881HD           | <b>Lateral</b>      | 3664920HD           |
| <b>Dos fuentes</b>    | 3646711HD           | 3640060             | 3640460   | 3640460HD           | 3640770HD           | 3640860HD           | <b>receptáculos</b> | 3664830HD           |
| 36500                 | 364666HD            | 3640080             | 3640410   | 3640480HD           | 3647450HD           | 3640880HD           | 36646               | 3664930HD           |
| 36501208              | 3646610HD           | 3647260             | 3640470   | 3640560HD           | 3647470HD           | 3647560HD           | 3664620             | 36642HD             |
| 36501240              | 36467HD             | 3640080             | 3640480   | 3640580HD           | 3640761HD           | 3647580HD           | 3664630             | 36643HD             |
| <b>Baño maría</b>     | 3646710HD           | 3639901             | 36405     | 3647360HD           | 3640781HD           | <b>Seis</b>         | 36647               | 3664220HD           |
| <b>Tres fuentes</b>   | 36471HD             | 3639911HD           | 3640550   | 3647380HD           | 3640660HD           | <b>receptáculos</b> | 3664720             | 3664320HD           |
| 36502                 | 3647110HD           | 3640001HD           | 3640560   | <b>Cuatro</b>       | 3640680HD           | 3640901             | 3664730             | 3664230HD           |
| 36503208              | 3646661HD           | 3640011HD           | 3640510   | <b>receptáculos</b> | 3640760HD           | 3640911             | 366409              | 3664330HD           |
| 36503240              | 3646681HD           | 36399HD             | 3640570   | 36406               | 3640780HD           | 36409               | 3664020             | <b>Lateral</b>      |
| <b>Baño maría</b>     | 3646761HD           | 3639910HD           | 3640580   | 3640650             | 3647460HD           | 3640910             | 3664030             | <b>corto cuatro</b> |
| <b>Cuatro fuentes</b> | 3646781HD           | 36400HD             | 3640501   | 3640660             | 3647480HD           | 36476               | 3664030             | <b>receptáculos</b> |
| 36504208              | 3646660HD           | 3640010HD           | 3640551   | 3640610             | <b>Cinco</b>        | 3647610             | 36641               | 36650               |
| 36504240              | 3646680HD           | 36472HD             | 3640561   | 3640670             | <b>receptáculos</b> | 3640951             | 3664120             | 36651               |
| <b>Baño maría</b>     | 3646760HD           | 3647210HD           | 3640511   | 3640680             | 36408               | 3640971             | 3664130             | 3665020             |
| <b>Cinco fuentes</b>  | 3646780HD           | 3639951HD           | 3640571   | 36407               | 3640850             | 3640950             | 36646HD             | 3665120             |
| 36505208              | 3647160HD           | 3639971HD           | 3640581   | 3640750             | 3640860             | 3640970             | 36647HD             | 3665030             |
| 36505240              | 3647180HD           | 3640051HD           | 36473     | 3640760             | 3640810             | 3647650             | 3664620HD           | 3665130             |
| <b>Baño maría</b>     | <b>Dos</b>          | 3640071HD           | 3647350   | 3640710             | 3640870             | 3647670             | 3664720HD           | 36644               |
| <b>Seis fuentes</b>   | <b>receptáculos</b> | 3639950HD           | 3647360   | 3640770             | 3640880             | 3640961             | 3664630HD           | 36645               |
| 36506208              | 3639901             | 3639970HD           | 3647310   | 3640780             | 3640801             | 3640981             | 3664730HD           | 3664420             |
| 36506240              | 3639911             | 3640050HD           | 3647370   | 3640701             | 3640851             | 3640980             | 36640HD             | 3664520             |
| <b>Un receptáculo</b> | 3640001             | 3640070HD           | 3647380   | 3640751             | 3640861             | 3647660             | 36641HD             | 3664430             |
| 3646601               | 3640011             | 3647250HD           | 3640401HD | 3640761             | 3640811             | 3647680             | 3664020HD           | 3664430             |
| 3646661               | 36399               | 3647270HD           | 3640411HD | 3640711             | 3640871             | 3647680             | 3664120HD           | 3664530             |
| 3646611               | 3639910             | 3639961HD           | 3640501HD | 3640771             | 3640881             | 3640901HD           | 3664030HD           | 36650HD             |
| 3646681               | 36400               | 3639981HD           | 3640451HD | 3640781             | 36475               | 3640911HD           | 3664130HD           | 36651HD             |
| 36466                 | 3640010             | 3640061HD           | 3640471HD | 36474               | 3647550             | 36409HD             | <b>Lateral</b>      | 3665020HD           |
| 3646660               | 36472               | 3640081HD           | 3640551HD | 3647450             | 3647560             | 3640910HD           | <b>corto tres</b>   | 3665120HD           |
| 3646610               | 3647210             | 3639960HD           | 3640571HD | 3647460             | 3647510             | 36476HD             | <b>receptáculos</b> | 3665030HD           |
| 3646680               | 3639951             | 3639980HD           | 3640461HD | 3647410             | 3647570             | 3647610HD           | 36648               | 3665130HD           |
| 36467                 | 3639971             | 3640060HD           | 3640481HD | 3647470             | 3647580             | 3640951HD           | 3664820             | 36644HD             |
| 3646760               | 3640051             | 3640080HD           | 3640561HD | 3647480             | 3640801HD           | 3640971HD           | 3664830             | 36645HD             |
| 3646710               | 3640071             | 3647260HD           | 3640581HD | 3647480             | 3640811HD           | 3640950HD           | 36649               | 3664420HD           |
| 3646780               | 3639950             | 3640080HD           | 36404HD   | 3640711HD           | 36408HD             | 3640970HD           | 3664920             | 3664520HD           |
| 3646701               | 3639970             | 3647260HD           | 3640410HD | 36406HD             | 3640810HD           | 3647650HD           | 3664930             | 36642HD             |
| 3646761               | 3640050             | <b>Tres</b>         | 36405HD   | 3640610HD           | 36475HD             | 3647670HD           | 36642               | 3664430HD           |
| 3646711               | 3640070             | <b>receptáculos</b> | 3640510HD | 36407HD             | 3647510HD           | 3640961HD           | 3664220             | 3664530HD           |
| 3646781               | 3647250             | 3640401             | 36473HD   | 3640710HD           | 3640851HD           | 3640981HD           | 3664230             |                     |
| 36471                 | 3647270             | 3640451             | 3647310HD | 36474HD             | 3640871HD           | 3640960HD           | 36643               |                     |
| 3647160               | 3639961             | 3640461             | 3640450HD | 3647410HD           | 3640850HD           | 3640980HD           | 3664320             |                     |
| 3647110               | 3639981             | 3640411             | 3640470HD | 3640751HD           | 3640870HD           | 3647660HD           | 3664330             |                     |
| 3647180               | 3640061             | 3640471             | 3640550HD | 3640771HD           | 3647550HD           | 3647680HD           | 36648HD             |                     |
| 3646601HD             | 3640081             | 3640481             | 3640570HD | 3640650HD           | 3647570HD           |                     | 36649HD             |                     |
| 3646611HD             | 3639960             | 36404               | 3647350HD | 3640670HD           | 3640861HD           |                     | 3664820HD           |                     |

## SERVICIO Y REPARACIÓN

En Vollrath.com encontrará las piezas que puedan ser reparadas.

Para evitar lesiones o daños materiales graves, no trate de reparar la unidad ni reemplazar un cable eléctrico por su cuenta. No envíe las unidades directamente a The Vollrath Company LLC. Pida instrucciones a los Servicios de asistencia técnica de Vollrath.

Al comunicarse con los servicios, esté listo para proporcionar el número de artículo, número de modelo (si corresponde), número de serie y el comprobante de compra que muestre la fecha en que adquirió la unidad.

## WARRANTY STATEMENT FOR THE VOLLRATH CO. L.L.C.

Esta garantía no se aplica a los productos adquiridos para uso personal, familiar ni doméstico, y The Vollrath Company LLC no ofrece una garantía por escrito a los compradores para dichos usos.

The Vollrath Company LLC garantiza los productos que fabrica o distribuye contra defectos en materiales y fabricación, según se especifica en nuestra cláusula de garantía completa. En todos los casos, la garantía rige desde la fecha de compra original del usuario final que aparece en el recibo. La garantía no cubrirá ningún daño que resulte del uso indebido, abuso, modificación o daños causados por el embalado incorrecto durante la devolución para obtener servicio de reparación dentro del periodo de vigencia de la garantía.

Para obtener información de garantía, inscripción de productos y anuncios de productos nuevos, visite [www.vollrath.com](http://www.vollrath.com).



Outperform every day.™

[www.vollrath.com](http://www.vollrath.com)

### The Vollrath Company, L.L.C.

1236 North 18th Street  
Sheboygan, WI 53081-3201 EE. UU.  
Tel. principal: 800.624.2051 ó 920.457.4851  
Fax principal: 800.752.5620 ó 920.459.6573  
Servicio al cliente: 800.628.0830  
Servicio al cliente en Canadá: 800.695.8560

Servicios de asistencia técnica:  
[techservicereps@vollrathco.com](mailto:techservicereps@vollrathco.com)  
Productos de inducción: 800.825.6036  
Productos de calentamiento para mostrador:  
800.354.1970  
Todos los demás productos: 800.628.0832