



Outperform every day.™

ENGLISH

Operator's Manual

English, Spanish, French

CAYENNE® HEAT AND LIGHT STRIPS



REGISTER YOUR PRODUCT ON-LINE AT WWW.VOLLRATH.COM

Thank you for purchasing this Vollrath Food Processing Equipment. Before operating the equipment, read and familiarize yourself with the following operating and safety instructions. SAVE THESE INSTRUCTIONS FOR FUTURE REFERENCE. Save the original box and packaging. Use this packaging to ship the equipment if repairs are needed.

SAFETY PRECAUTIONS

To ensure safe operation, read the following statements and understand their meaning. This manual contains safety precautions which are explained below. Please read carefully.

WARNING

Warning is used to indicate the presence of a hazard that *can* cause severe personal injury, death, or substantial property damage if the warning is ignored.

CAUTION

Caution is used to indicate the presence of a hazard that *will* or *can* cause *minor* personal injury or property damage if the caution is ignored.

NOTE

Note is used to notify people of installation, operation, or maintenance information that is important but not hazard-related.

For Your Safety!

These precautions should be followed at all times. Failure to follow these precautions could result in injury to yourself and others or damage the equipment.

To reduce risk of injury or damage to the unit:

- Use only grounded electrical outlets or circuits matching the nameplate rated voltage.
- Unit should only be used in a flat, level position.
- Turn off unit and let it cool before cleaning or moving.
- Do not operate unattended.

UNIT INSTALLATION CLEARANCES

	WARNING
	Fire Hazard. Do not install unit near combustible material. Do not place combustible material under or on top of unit. Discoloration or combustion could occur.

	WARNING
	Electrical Shock Hazard. Keep water and other liquids from entering the inside of the unit. Liquid inside the unit could cause an electrical shock. Unit must be installed by qualified personal in accordance with all local and national ordinances. Do not use a power cord that has been modified or damaged.

- Do not use extension cords, power strips or surge protectors with this unit.
- Install with distances specified in the **Unit Installation** section of this manual. Minimum distance to the following surfaces.

Combustible surroundings	5" Sides	2" Top
Non Combustible surroundings	1" Sides	1" Top
- Units that require wiring for installation must follow National Electrical Code (NEC) standards and local ordinances.
- Only use coated light bulbs that meet NSF standards and are specifically designed for foodservice areas. Breakage of bulbs that are not coated could cause injury or contaminate food.
- Do not place materials on or allow combustible materials to come in contact with unit.
- There are no serviceable parts in this unit. Contact a Vollrath Authorized Service Agent for service.
- Authorized service agent must use genuine Vollrath replacement parts. Failure to do so will void warranty and may cause a safety hazard.
- Do not spray controls or outside of unit with liquids or cleaning agents.
- Units that require a circuit breaker larger than 20 amps must have separate circuit for the lighting circuit that is less than 20 amps.

FUNCTION AND PURPOSE

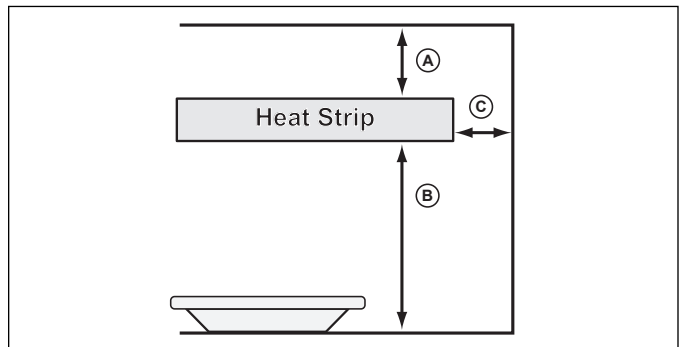
Heat Strips = These units are intended to be used as a heat source to help maintain food at safe temperatures until served. They are not intended or designed to cook raw food or to reheat prepared food. Food must be prepared and placed in food stations at proper temperatures.

Light Strips = These units are intended to illuminate food serving display areas or food preparation areas.

UNPACKING THE EQUIPMENT AND INITIAL SETUP

Carefully remove crating or packaging materials from the unit. Dispose of all packaging materials in an environmentally responsible manner.

This unit must be installed by qualified personal in compliance with electrical codes. The following distances must be kept between the unit and the surrounding surfaces for safe operation. It is recommended that two (2) or more people assist with the installation of this unit.



Minimum Clearances	Single Non-Combustible Surface		Dual Non-Combustible Surface		Dual Combustible Surface	
	Medium Wattage	High Wattage	Medium Wattage	High Wattage	Medium Wattage	High Wattage
A Top of strip to surface above (minimum)	1" (2.5 cm)		2" (5.1 cm)		1" (2.5 cm)	
B Bottom of strip to surface below	Medium Wattage	11" (27.9 cm)	13" (33.0 cm)	18" (45.7 cm)	20" (50.8 cm)	
	High Wattage	16" (40.6 cm)	16" (40.6 cm)	24" (60.9 cm)	25" (63.5 cm)	
C Side of strip to adjacent surface (minimum)	1" (2.5 cm)		5" (12.7 cm)		1" (2.5 cm)	

Setback from front opening on pass through application: maximum of 8" (20.3 cm)

NOTE:

This unit must be installed in an area that will not be affected by the heat from the unit. Damage to solid surface counter tops or other materials in the heat zone of this product are not covered under warranty.

KOOL-TOUCH® TRIM INSTALLATION

The Kool-Touch® trim option is shipped separately. It will need to be installed on the unit. We recommend that this option be installed before the unit is mounted.

1. Beginning on the side that does not have the control box (A), slide the Kool-Touch® (B) panel into position by starting at one end of the unit. Slide the Kool-Touch® panel in the channel (C) on the side of the unit until it is in place. (Ganged units will require two pieces trimmed to fit). See Figure 1.

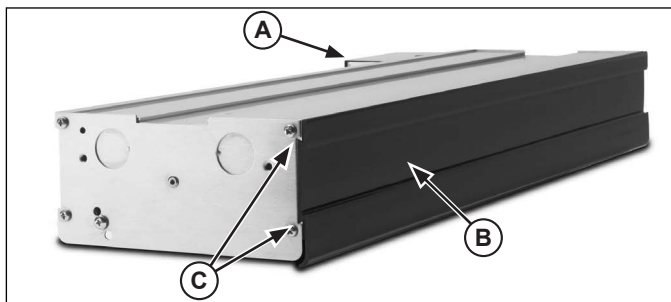


Figure 1. Installation of Kool-Touch® Panels.

2. The side of the unit that has the control box will need to be trimmed. Measure the area that is to be covered by the Kool-Touch® panel.
3. Mark the length to be covered on the Kool-Touch® panel.
4. Place a damp soft cloth under the end of the Kool-Touch® panel to be cut to prevent the Kool-Touch® panel from scratching or slipping while it is being cut.
5. Using a hacksaw with a fine metal or plastic blade, slowly cut the panel to length.
6. Install the panel on the unit in the same manner as the opposite side.

UNIT INSTALLATION - DIRECT WIRE MOUNTING

TOP MOUNT INSTALLATION

Top mount brackets may be purchased as an option for direct-wired units. The brackets are available in 1" height or 2" height. Dual units require two sets of brackets.

NOTE:

Top mount brackets may not be used with units longer than 72".

1. Access the area the unit will be mounted in and mark the location the center mount brackets will be mounted. Make sure the material the unit will be mounted to will support the weight of the unit.
2. Secure the top mount bracket (A) to the mounting holes (B) using lockwashers (C) and screws (D). Repeat on the other end. See Figure 2.

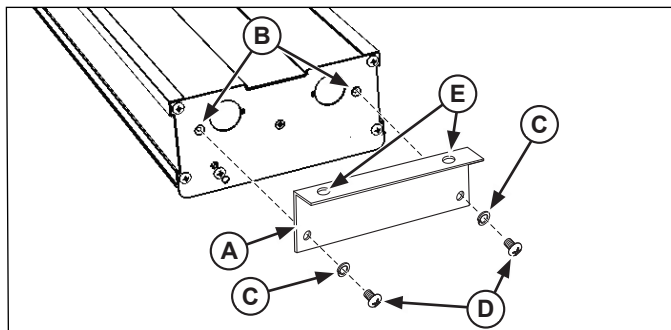


Figure 2. Installing Top Mount Brackets.

3. Mount the brackets and unit to a suitable surface using holes (E) and suitable hardware.

CENTER MOUNT INSTALLATION

Top mount brackets may be purchased as an option for direct-wired units. The brackets are available in 1" height or 2" height. Dual units require brackets on each unit.

NOTE:

For units longer than 72", a minimum of three (3) mounting points consisting of the two ends and the center of the unit must be used.

1. Access the area the unit will be mounted in and mark the location the center mount brackets will be mounted. Make sure the material the unit will be mounted to will support the weight of the unit.
2. The brackets must be located near the ends of the unit for greatest stability.
3. Mount the hanging bracket (A) with the "T" slot cutout, in the locations identified in step 1. Figure 3.

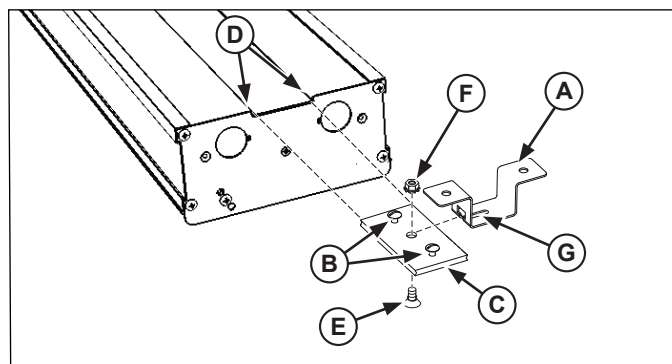


Figure 3. Installing Center Mount Brackets.

4. Loosen the two screws (B) located in the center of the flat channel plates (C) far enough so they do not protrude out of the bottom of the plate.
5. Slide the channel plates (C) into the channel (D) on the top of the unit.
6. Measure the distance from the center points of the hanging brackets (A) and slide the channel plates (C) in the channel (D) on the top of the unit so the center screws (E) in the channel plate (C) match the distance between the center of the "T" slot (G) in the brackets (A).
7. Tighten the two outside screws (B) in the channel plate (C) to lock the channel plate in position.
8. Loosen the nut (F) in the center of the channel plate (C) but DO NOT REMOVE.
9. Raise the unit and align the nut (F) in the center of the channel plate (C) with the "T" in the bracket (A) mounted in step 2.
10. Slide the nut (F) through the "T" slot and TIGHTEN THE NUT to keep the unit in place. THE NUT MUST BE TIGHTENED TO PREVENT THE UNIT FROM SLIPPING OUT OF THE BRACKET.

CHAIN MOUNT INSTALLATION

NOTE: Units over 72" in length, must use the center mounting point.

1. The unit is shipped with mounting tabs (A) located on each end of the unit. For units that are longer than 72", three (3) mounting points consisting of the two ends and the center of the unit must be used. See Figure 4.
2. Loosen the screws (B) holding the mounting tabs in place but do not remove. Rotate tabs (A) to an upright position and attach chain to holes (C). The chain must support each side of each end of the unit evenly.

3. Hang chain from an appropriate hanging point directly over the area to be kept warm. Make sure the hanging point is adequate for the total weight of the unit and chain.
4. Adjust height of the unit making sure it is level and each point is supporting the weight of the unit evenly.
5. Tighten screws (B) to secure the mounting tabs.

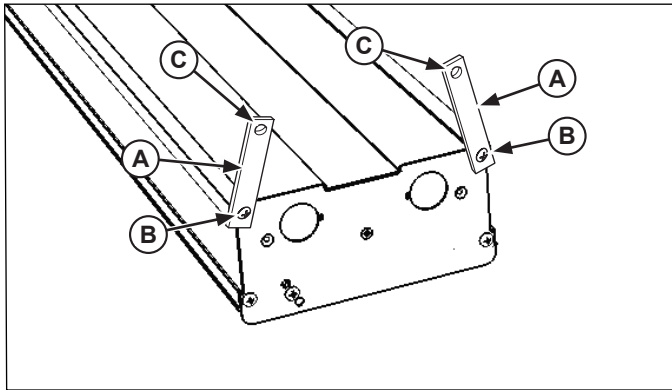


Figure 4. Chain Mount Installation.

REMOTE MOUNTING OF CONTROL(S)

NOTE: Installations must be in accordance with National Electrical Code (NEC) regulations.

Control boxes must be mounted securely to surfaces using proper hardware. Mount the control box(es) in such a way they will not be bumped or accidentally switched on or off.

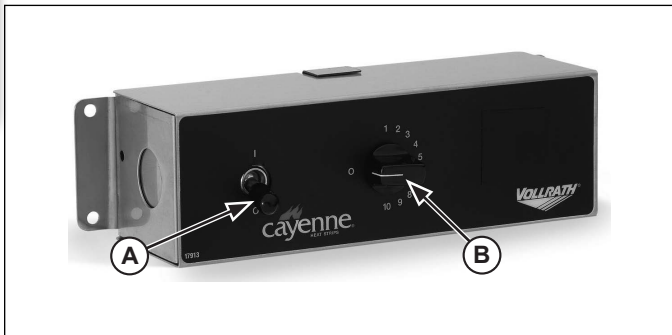


Figure 5. Control Panel with Switch and Infinite Control.

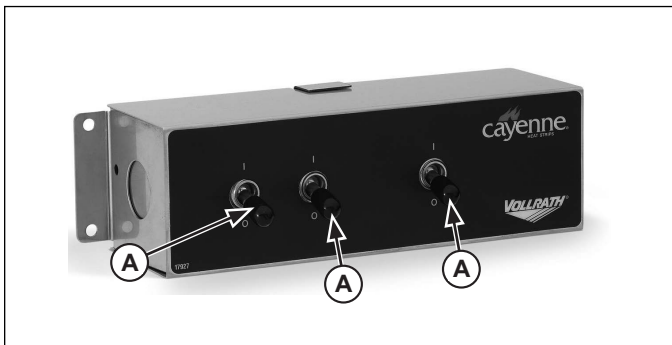


Figure 6. Control Panel with Switches

- (A) ON/OFF Toggle Switch.** Move the toggle switch to the up position for "ON". Move the toggle switch to the down position for "OFF". The switch(es) may operate a heating element(s) or light(s).
- (B) INFINITE HEAT CONTROL.** Rotate the INFINITE HEAT CONTROL off zero "0" to turn control on. Rotate to desired heat.

UNIT INSTALLATION - CORDED MOUNTING

ON BOARD TOGGLE CONTROLS

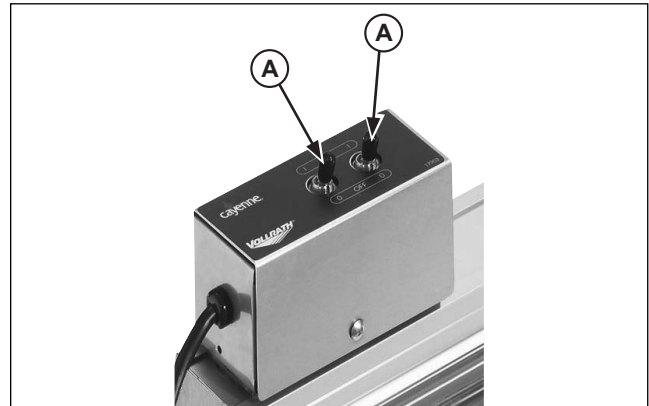


Figure 7. On Board Toggle Control with Switches

- (A) ON/OFF Toggle Switch.** Move the toggle switch to the up position for "ON". Move the toggle switch to the down position for "OFF".

MOUNTING OPTIONS

NOTE: UL requires all cord and plug heat strips, from all manufacturers be mounted on legs. All heat strips are custom ordered and therefore cannot be cancelled or returned per Vollrath Terms and Conditions.

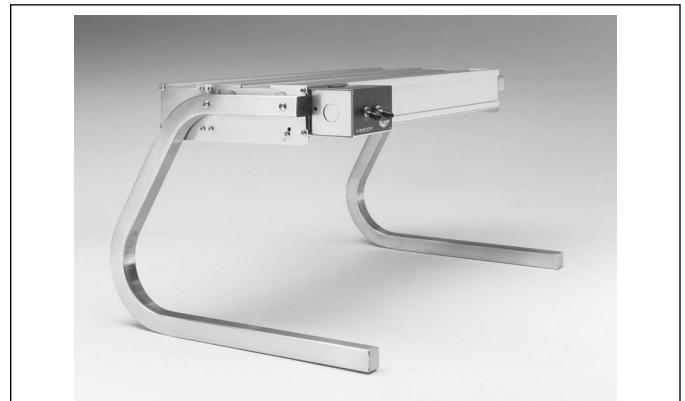


Figure 8. Stainless Steel C-Leg Stand - 13" (33 cm)



Figure 9. Stainless Steel T-Leg Stand - Adjustable 8 to 15" (22.8 to 38.1 cm)

ENGLISH

OPERATION

	WARNING
	<p>Burn Hazard. Do not touch heating surfaces, liquid, or while unit is heating or operating. Hot food, surfaces, steam and liquids can burn skin. Use gloves, mitts or pot holders if it is necessary to handle hot pans, plates and equipment.</p>

	WARNING
	<p>Fire Hazard. Do not install unit near combustible material. Do not place combustible material under or on top of unit. Discoloration or combustion could occur.</p>

	WARNING
	<p>Electrical Shock Hazard. Keep water and other liquids from entering the inside of the unit. Liquid inside the unit could cause an electrical shock. Unit must be installed by qualified personal in accordance with all local and national ordinances. Do not use a power cord that has been modified or damaged.</p>

NOTE: Certain containers such as foam or plastic may melt if left in the heat zone. Also, food left in the heat zone may begin to dry if left in the heat zone for an extended time.

1. Make sure there are no combustible materials in contact or near the food-warming unit.
2. Turn the heat switch(es) to the "ON" position or set the INFINITE HEAT CONTROL to desired setting. Allow the unit to preheat for approximately 15 minutes before placing food in the heat zone.
3. If the unit is equipped with lights, switch the lights on.
4. Place food items to be kept warm in the heat zone. Regularly check the food temperature. Adjust controls as necessary. See Note:

NOTE:

Monitor food temperature closely for food safety. The United States Public Health Service recommends that hot food be held at a minimum of 140 °F (60 °C) to help prevent bacteria growth. Maintain correct water level and temperature setting. Periodically remove food container and check the water level. Add water in needed.

5. When not in use turn the heat switch(es) to the "OFF" position or rotate the infinite heat control to the zero (0) position. Turn the lights to the "OFF" position.

ADJUSTING THE HEAT REFLECTOR

The heat strip units have been equipped with a directional heat reflector to allow the heat zone to be directed to best suite each application.

1. Turn the switch(es) to the "OFF" position(s). Allow the unit to cool completely before continuing.
2. Make sure unit is cool. This is for safety and the reflector can be moved more easily when the unit is at room temperature.
3. Remove the small screws (A) from the holes on the end alignment plates. There is one screw on each side of the end plate that secures the reflector. See Figure 10.

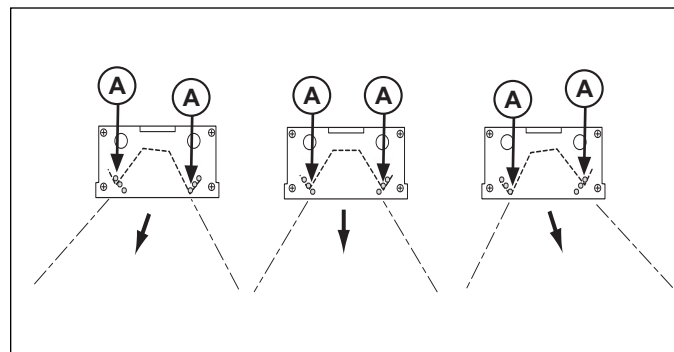


Figure 10. Reflector Positions.

4. Pivot the reflector in the desired direction.
5. There are 3 alignment screw holes to choose from that are located on the outside end of the unit. Align the screw hole in the reflector end with the appropriate hole in the end plate for the desired direction of the reflector.
6. Place the screws in the appropriate location and tighten.

CLEANING

	WARNING
	<p>Burn Hazard. Hot surfaces can burn the skin. Allow unit to cool completely before cleaning.</p>

	WARNING
	<p>Electrical Shock Hazard. Do not spray unit or controls with liquid or cleaning product. Liquid could enter the electrical compartment and cause a short circuit or electric shock.</p>

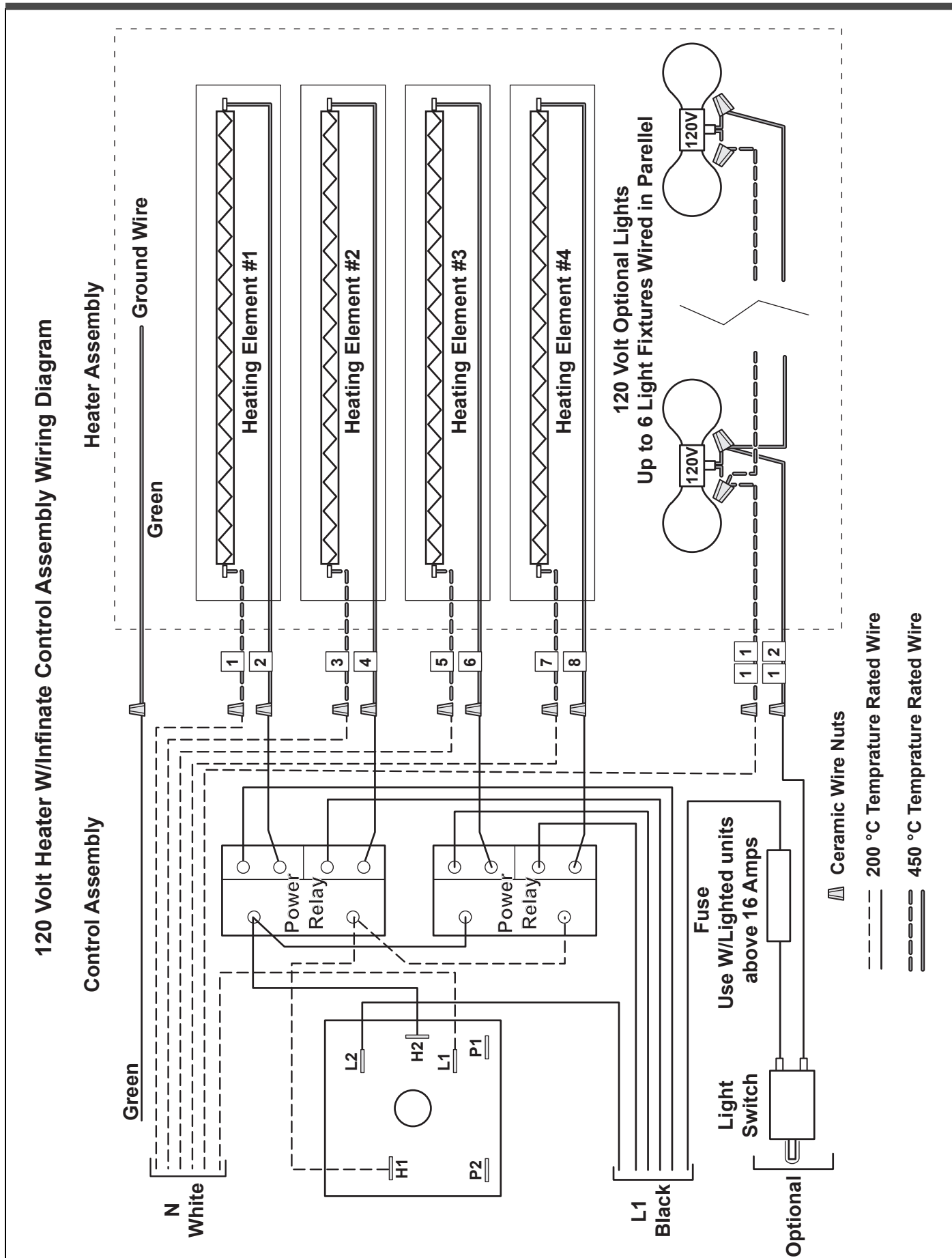
1. Turn the power switch(es) off. Turn the light switch(es) off. Allow the unit to completely cool.
2. Wipe the unit exterior with a clean damp cloth.
3. Do not use abrasive materials, scratching cleansers or scouring pad to clean the unit. These can damage the finish.
4. Thoroughly wipe off any mild soap or chemical cleaners. Residue could corrode the surface of the unit.

TROUBLESHOOTING

All procedures are to be carried out by qualified individuals. This may include Vollrath Authorized Service Agents or special trained personnel adhering to local codes.

Problem	It might be caused by	Course of Action
Unit is switched "ON" but there is no heat.	No power to the unit.	Check that there is power to the outlet. Reset circuit breaker if necessary.
	Defective switch.	Replace the switch.
	Wiring or heating element problem.	Check that all wire are good. Check that the element connection is good. Check element and replace if necessary.
The unit is on, but low heat.	Unit is mounted too high above the heating zone.	Re-mount unit lower, placing heat closer to heating zone. See Unit Installation Clearances chart on page 2.
	Excess cold air circulation around heating zone or unit.	Restrict or redirect air movement away from heating zone or unit.
	Incorrect power supply (low).	Check that the power supply matching the nameplate rated voltage.
Lights or switches burn out after a short time.	Check mounting height. If unit is too low, the unit will over heat.	Check that the unit is mounted as specified in the Unit Installation Clearances chart on page 2. If unit is not at the correct height, remount unit.

ELECTRICAL DIAGRAM 120 VOLT HEATER ~ INFINITE CONTROL

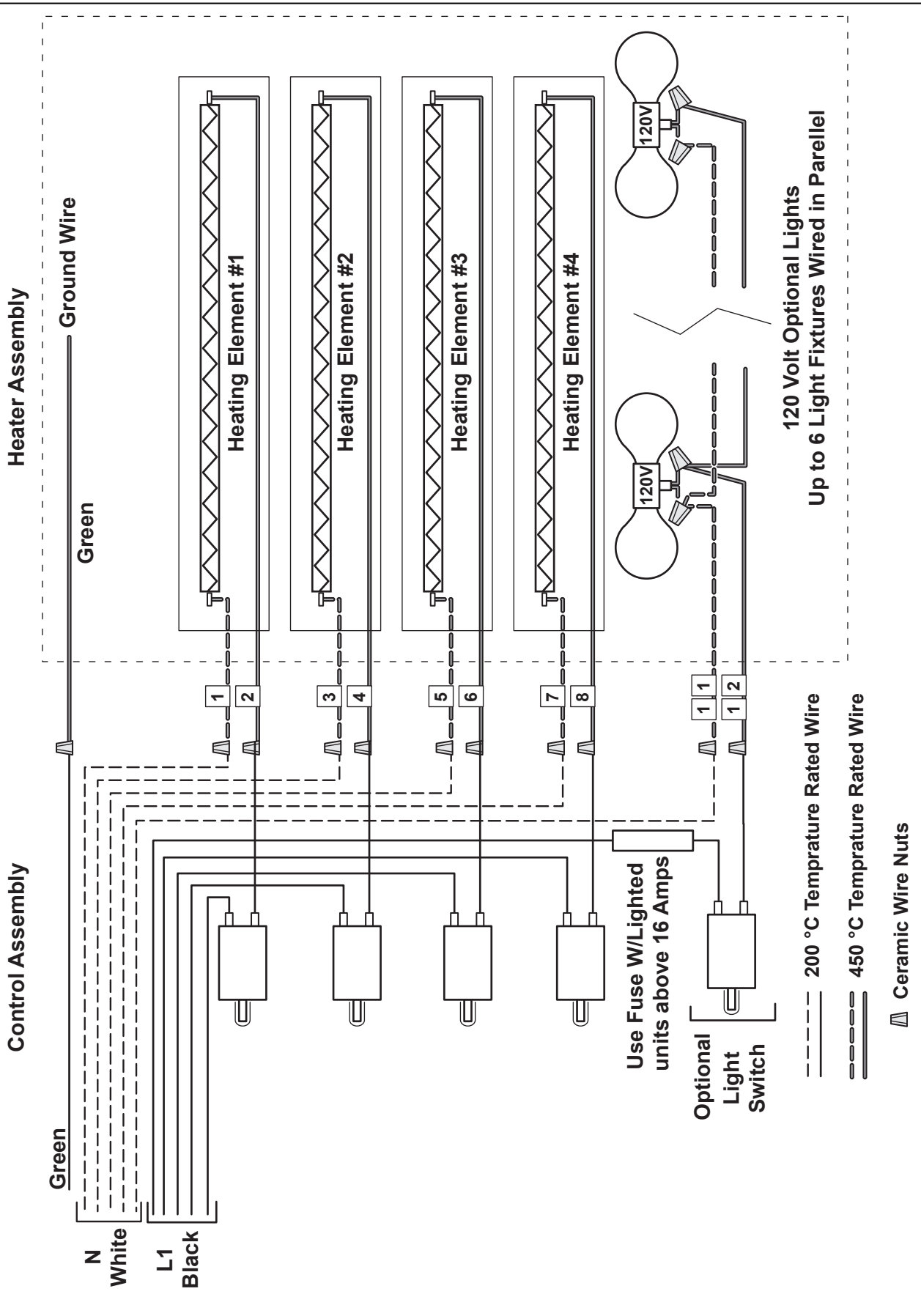


ENGLISH

ELECTRICAL DIAGRAM 120 VOLT HEATER ~ SWITCH CONTROL

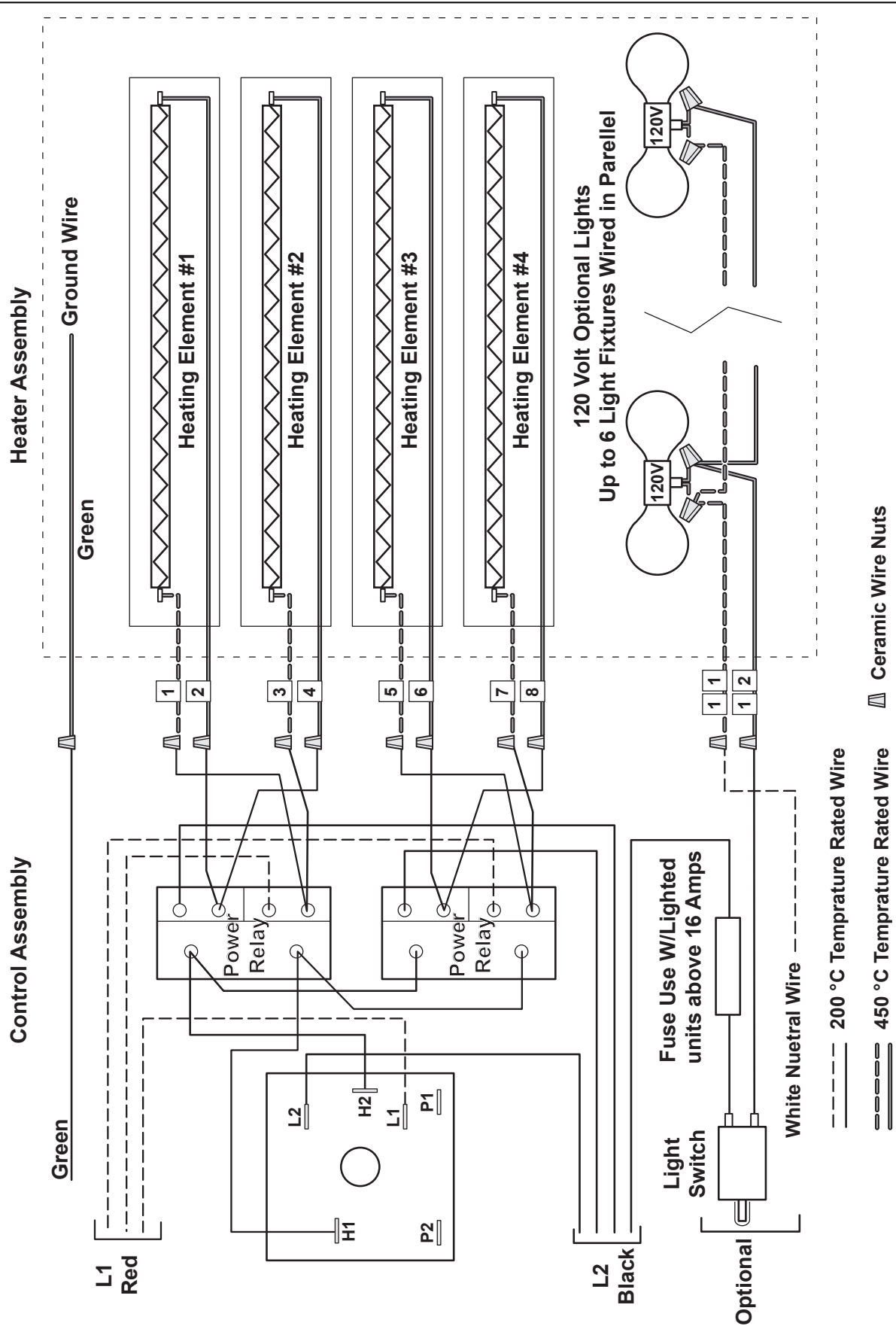
ENGLISH

120 Volt Heater W/Toggle Switch Control Assembly Wiring Diagram



ELECTRICAL DIAGRAM 208 - 240 VOLT HEATER ~ INFINITE CONTROL

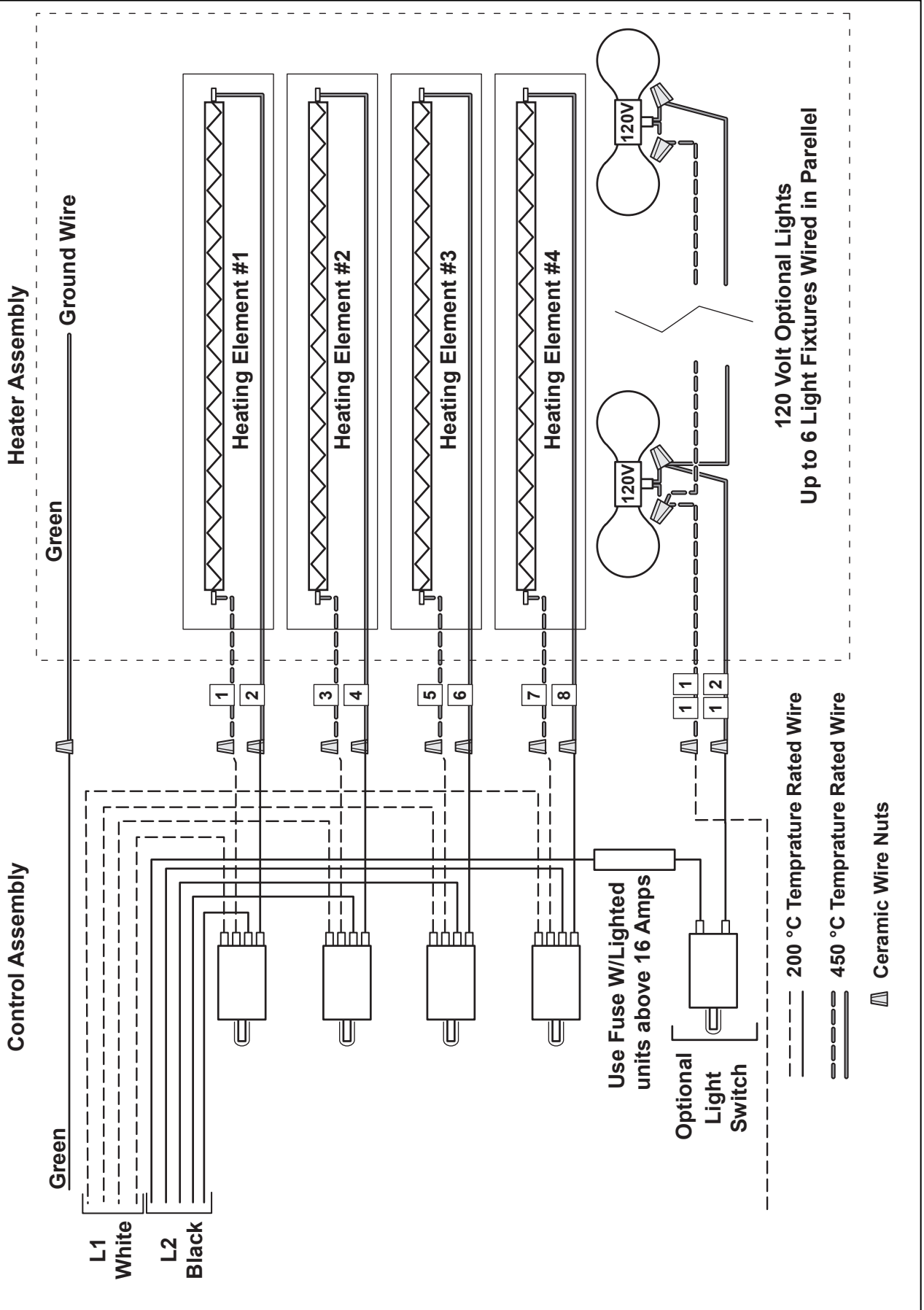
208 - 240 Volt Heater W/Infinite Control Assembly Wiring Diagram



ELECTRICAL DIAGRAM 208 - 240 VOLT HEATER ~ SWITCH CONTROL

ENGLISH

208 - 240 Volt Heater W/Toggle Switch Control Assembly Wiring Diagram



SERVICE AND REPAIR

There are no user serviceable parts within this appliance. To avoid serious injury or damage, never attempt to repair the equipment or replace a damaged power cord yourself. Do not send equipment directly to The Vollrath Company LLC. Please contact Vollrath Technical Service from the list below.

VOLLRATH Technical Service • 1-800-628-0832 • Email: techservicereps@vollrathco.com

When contacting Vollrath Technical Service, please be ready with the item number, model number (if applicable), serial number, and proof of purchase showing the date the unit was purchased.

WARRANTY STATEMENT FOR THE VOLLRATH CO. L.L.C.

This warranty does not apply to products purchased for personal, family or household use, and The Vollrath Company LLC does not offer a written warranty to purchasers for such uses.

The Vollrath Company LLC warrants each of its products listed below against defects in materials and workmanship for the applicable period provided below. All other products manufactured or distributed by The Vollrath Company LLC are warranted against defects in materials and workmanship for a period of one year. In all cases, the warranty runs from the date of the end user's original purchase date found on the receipt. Any damages from improper use, abuse, modification or damage resulting from improper packaging during return shipment for warranty repair will not be covered under warranty.

- Cayenne® Heat Strips, heating element only – The warranty period is 2 years.
- For refrigeration compressors and the second year of the warranty on Cayenne® Heat Strips and mixers, The Vollrath Company LLC will provide the part only; and the buyer will be responsible for all labor charges incurred in performing the repair or replacement.
- Replacement parts – The warranty period is 90 days.
- Glass, Breath Guard Glass and Light Bulbs are not covered by warranty.

For complete warranty information, product registration and new product announcement, visit www.vollrath.com.



www.vollrath.com

The Vollrath Company, L.L.C.
1236 North 18th Street
Sheboygan, WI 53081-3201
U.S.A.

Main Tel: 800.628.0830
Fax: 800.752.5620

Technical Services: 800.628.0832
Service Fax: 920.459.5462

Canada Service: 800.695.8560

© 2014 The Vollrath Company, L.L.C.

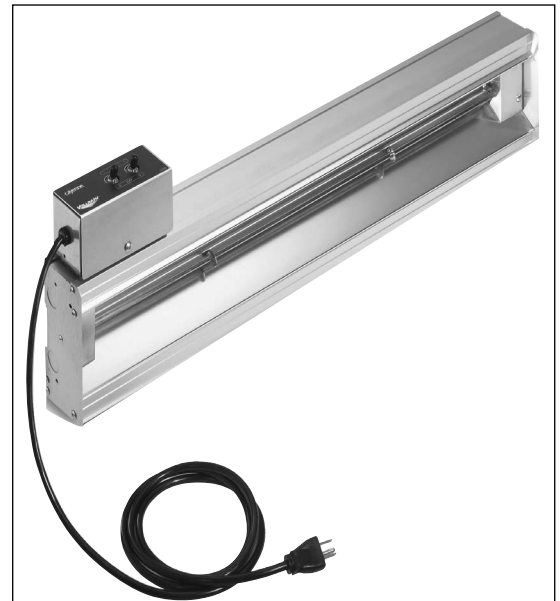


Outperform every day.™

ESPAÑOL

Manual del operador

TIRAS CALENTADORAS Y CON LUCES CAYENNE®



INSCRIBA HOY MISMO SU PRODUCTO EN LÍNEA EN WWW.VOLLRATH.COM

Gracias por comprar este equipo Vollrath. Antes de usar el equipo, lea y familiarícese con las siguientes instrucciones de operación y seguridad. CONSERVE ESTAS INSTRUCCIONES COMO REFERENCIA PARA EL FUTURO. Conserve la caja y embalado originales. Deberá utilizarlos para devolver el equipo en caso de que requiera reparaciones.

PRECAUCIONES DE SEGURIDAD

Para garantizar una operación segura, lea las siguientes afirmaciones y comprenda su significado. Este manual contiene precauciones de seguridad que se explican a continuación. Léelas atentamente.

ADVERTENCIA

Advertencia se usa para indicar la presencia de un peligro que *puede* provocar lesiones personales graves, muerte o daños materiales considerables si se ignora el aviso.

PRECAUCIÓN

Precaución se usa para indicar la presencia de un peligro que *provocará* o *puede* provocar lesiones personales o daños materiales leves si se ignora el aviso.

NOTA

Nota se utiliza para indicar información sobre instalación, funcionamiento o mantenimiento que es importante, pero que no reviste peligros.

¡Por su propia seguridad!

Debe acatar estas precauciones en todo momento, ya que si no lo hace podría lesionarse a sí mismo y a otras personas.

- Para disminuir el riesgo de lesiones personales o daños en la unidad:
- Enchúfela sólo en tomacorrientes o circuitos con puesta a tierra cuyo voltaje nominal sea el indicado en la placa identificatoria.
- Esta unidad debe utilizarse sólo en posición plana y nivelada.
- Apáguela y deje que se enfríe antes de limpiarla o trasladarla.
- No la deje operando sola.
- No utilice cables de extensión, regletas eléctricas ni protectores contra sobretensión con esta unidad.
- Instálela con las distancias especificadas en la sección **Instalación de la unidad** en este manual. Distancia mínima con las siguientes superficies.

- Entornos combustibles Lados 12.7 cm Parte superior 5 cm
- Entornos no combustibles Lados 2.5 cm Parte superior 2.5 cm
- Separ. desde borde áreas transfer. 20.3 cm desde cualquier borde
- Las unidades que requieren cableado para la instalación deben acatar las normas del Código Eléctrico Nacional (NEC) y las ordenanzas locales.
- Use solamente bombillas revestidas que cumplan las normas NSF y que estén específicamente diseñadas para las áreas de servicio de comidas. El rompimiento de bombillas no revestidas podría causar lesiones o contaminar los alimentos.
- No permita que materiales combustibles entren en contacto con la unidad ni coloque nada encima de la misma.
- Esta unidad no tiene piezas que puedan ser reparadas por el usuario. Comuníquese con un agente de servicio autorizado de Vollrath para repararla.
- El agente de servicio debe usar repuestos originales de Vollrath, de lo contrario se anulará la garantía y puede causar peligros de seguridad.
- No rocíe con líquidos ni agentes de limpieza los controles ni la parte externa de la unidad.
- Las unidades que requieren un cortacircuito de más de 20 amperios deben tener un circuito aparte para la sección de iluminación que sea inferior a 20 amperios.

FUNCIÓN Y PROPÓSITO

Tiras calentadoras = Estas unidades están diseñadas para ser usadas como una fuente de calor a fin de ayudar a mantener los alimentos a temperaturas seguras hasta que se sirvan. No están diseñadas ni tienen el propósito de cocer alimentos crudos ni de recalentar comida preparada. La comida debe prepararse y colocarse en las estaciones de alimentos a temperaturas apropiadas.

Tiras con luces = Estas unidades se usan para iluminar las áreas de presentación o preparación de alimentos.

DESEMBALADO DEL EQUIPO Y CONFIGURACIÓN INICIAL

Retire cuidadosamente de la unidad la caja o los materiales de embalado. Deseche todos los materiales de embalado de una manera ambientalmente responsable.

ESPACIOS LIBRES PARA LA INSTALACIÓN DE LA UNIDAD

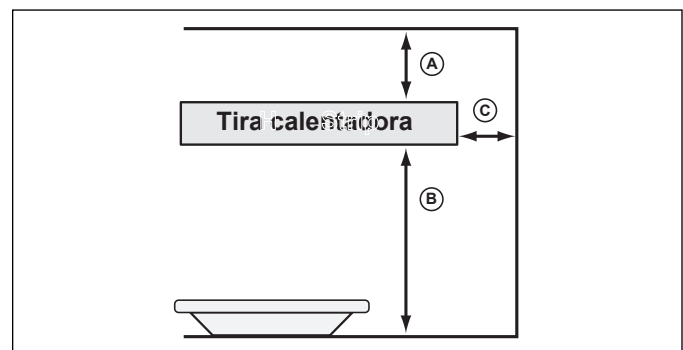
ADVERTENCIA

Peligro de incendio.
No instale la unidad cerca de material combustible. No coloque material combustible debajo ni encima de la unidad, ya que puede producirse decoloración o combustión.

ADVERTENCIA

Peligro de descarga eléctrica.
Evite que ingrese agua o cualquier otro tipo de líquido al interior de la unidad, ya que ello podría causar una descarga eléctrica. La unidad debe ser instalada por personal calificado en cumplimiento con todas las ordenanzas locales y nacionales. No use un cable eléctrico modificado ni dañado.

Esta unidad debe ser instalada por personal calificado en cumplimiento con los códigos eléctricos. Para una operación segura se deben mantener las siguientes distancias entre la unidad y las superficies circundantes. Se recomienda que dos (2) o más personas ayuden con la instalación de esta unidad.



Espacios libres mínimos		Superficie incombustible individual	Superficie combustible individual	Superficie incombustible doble	Superficie combustible doble
A	Parte superior de la tira hasta superficie superior (mínima)	1" (2.5 cm)	2" (5.1 cm)	1" (2.5 cm)	2" (5.1 cm)
B	Parte inferior de la tira hasta superficie inferior	Vatijaje mediano	11" (27.9 cm)	13" (33.0 cm)	18" (45.7 cm)
		Vatijaje alto	16" (40.6 cm)	16" (40.6 cm)	24" (60.9 cm)
C	Lado de la tira hasta superficie adyacente (mínima)	1" (2.5 cm)	5" (12.7 cm)	1" (2.5 cm)	5" (12.7 cm)

Separación desde la abertura delantera en aplicación de transferencia: máximo de 8" (20,3 cm)

NOTA:

Esta unidad debe instalarse en un área que no sea afectada por el calor proveniente de la misma. La garantía no cubre los daños causados a los mostradores de superficie sólida ni a los demás materiales presentes en la zona de calor de este producto.

INSTALACIÓN DEL BORDE KOOL-TOUCH®

La opción de borde Kool-Touch® se envía por separado. Debe instalarse en la unidad. Recomendamos instalar esta opción antes de montar la unidad.

1. Comenzando en el lado que no tiene la caja de control (A), deslice el panel Kool-Touch® (B) a su posición empezando en un extremo de la unidad. Deslice el panel Kool-Touch® en el canal (C) en el costado de la unidad hasta que quede en su lugar. (Las unidades acopladas requieren dos piezas recortadas a medida). Consulte la Figura 1.

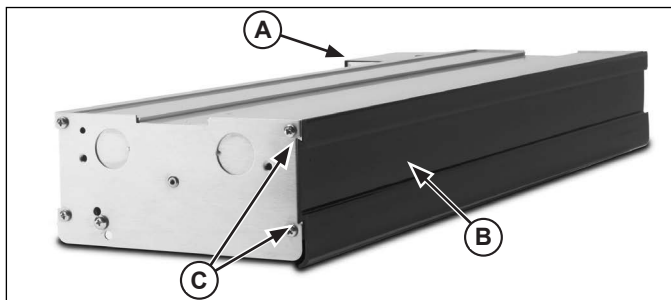


Figura 1. Instalación de los paneles Kool-Touch®.

2. El lado de la unidad que tenga la caja de control deberá recortarse. Mida el área que abarcará el panel Kool-Touch®.
3. Marque la longitud que va abarcar en el panel Kool-Touch®.
4. Coloque un paño suave húmedo debajo del extremo del panel Kool-Touch® que va a cortar para impedir que dicho panel se raye o deslice mientras se corte.
5. Use una segueta con hoja fina de metal o plástico y corte lentamente el panel al largo correcto.
6. Instale el panel en la unidad del mismo modo que el lado opuesto.

INSTALACIÓN DE LA UNIDAD - MONTAJE DE CABLEADO DIRECTO

INSTALACIÓN DE MONTAJE SUPERIOR

Se pueden comprar soportes para montaje superior como opción para las unidades de cableado directo. Los soportes se ofrecen en alturas de 1" (2.5 cm) o 2" (5 cm). Las unidades dobles requieren dos juegos de soportes.

NOTA:

Es posible que los soportes para montaje superior no puedan usarse con unidades de más de 72" (182.9 cm) de largo.

1. Acceda al área donde va a montar la unidad y marque la ubicación donde irán los soportes para montaje central. Cerciórese de que el material en el que va a instalar la unidad soporte el peso de la misma.
2. Afiance el soporte para montaje superior (A) en los orificios de montaje (B) usando arandelas de seguridad (C) y tornillos (D). Repita el procedimiento en el extremo opuesto. Consulte la Figura 2.

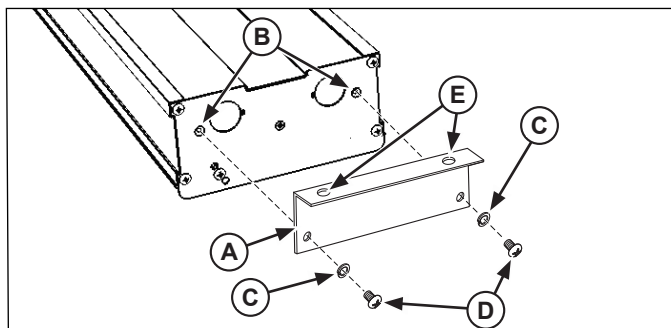


Figura 2. Instalación de los soportes para montaje superior.

3. Monte los soportes y la unidad en una superficie adecuada usando los orificios (E) y herrajes pertinentes.

INSTALACIÓN DE MONTAJE CENTRAL

Se pueden comprar soportes para montaje superior como opción para las unidades de cableado directo. Los soportes se ofrecen en alturas de 1" (2.5 cm) o 2" (5 cm). Las unidades dobles requieren soportes en cada una.

NOTA:

Para las unidades de más de 72" (182.9 cm) de largo, se debe usar un mínimo de tres (3) puntos de montaje correspondientes a los dos extremos y el centro de la unidad.

1. Acceda al área donde va a montar la unidad y marque la ubicación donde irán los soportes para montaje central. Cerciórese de que el material en el que va a instalar la unidad soporte el peso de la misma.
2. Los soportes deben ubicarse cerca de los extremos de la unidad para brindar la mayor estabilidad.
3. Monte el soporte colgante (A) con el recorte ranurado en "T", en las ubicaciones identificadas en el paso 1. Figura 3.

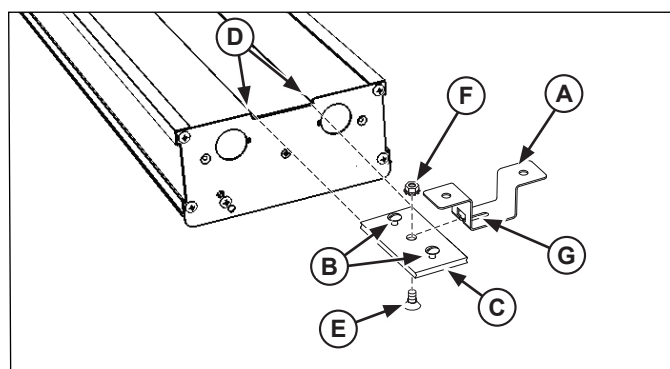


Figura 3. Instalación de los soportes para montaje central.

4. Afloje los dos tornillos (B) situados en el centro de las placas de canales planos (C), lo suficientemente lejos de modo que no sobresalgan por la parte inferior de la placa.
5. Deslice las placas (C) por el canal (D) en la parte superior de la unidad.
6. Mida la distancia desde los puntos centrales de los soportes colgantes (A) y deslice las placas (C) por el canal (D) en la parte superior de la unidad de modo que los tornillos centrales (E) en la placa de canales (C) coincidan con la distancia entre el centro de la ranura en "T" (G) en los soportes (A).
7. Apriete los dos tornillos externos (B) en la placa de canales (C) para trabar la placa en su posición.
8. Afloje la tuerca (F) en el centro de la placa de canales (C) pero NO LA RETIRE.
9. Suba la unidad y alinee la tuerca (F) en el centro de la placa de canales (C) con la "T" en el soporte (A) que se montó en el paso 2.
10. Pase la tuerca (F) por la ranura en "T" y APRIÉTELA para mantener la unidad en su lugar. LA TUERCA DEBE ESTAR APRETADA PARA IMPEDIR QUE LA UNIDAD SE SALGA DEL SOPORTE.

INSTALACIÓN DE MONTAJE EN CADENA

NOTA: Las unidades de más de 72" (182,9 cm) de largo deben usar el punto de montaje central.

1. La unidad se despacha con lengüetas de montaje (A) situadas en cada uno de sus extremos. Para las unidades de más de 72" (182.9 cm) de largo, se deben usar tres (3) puntos de montaje correspondientes a los dos extremos y al centro de la unidad. Consulte la Figura 4.
2. Afloje los tornillos (B) que sujetan las lengüetas de montaje en su lugar, pero no los retire. Gire las lengüetas (A) hasta una posición vertical y luego una la cadena a los orificios (C). La cadena debe soportar uniformemente cada lado de cada extremo de la unidad.

3. Cuelgue la cadena desde un punto apropiado directamente sobre el área que va a mantener caliente. Cerciórese de que el punto colgante sea adecuado para el peso total de la unidad y la cadena.
4. Ajuste la altura de la unidad cerciorándose de que esté nivelada y cada punto soporte uniformemente el peso de la misma.
5. Apriete los tornillos (B) para afianzar las lengüetas de montaje.

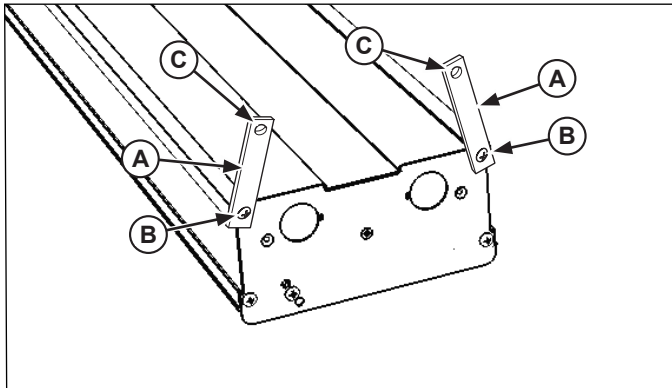


Figura 4. Instalación de montaje en cadena.

MONTAJE REMOTO DE LOS CONTROLES

NOTA: Las instalaciones deben realizarse de acuerdo con los reglamentos del Código Eléctrico Nacional (NEC).

Las cajas de control deben montarse firmemente en las superficies mediante herrajes apropiados. Monte la o las cajas de control de modo que no se golpeen ni se enciendan o apaguen accidentalmente.

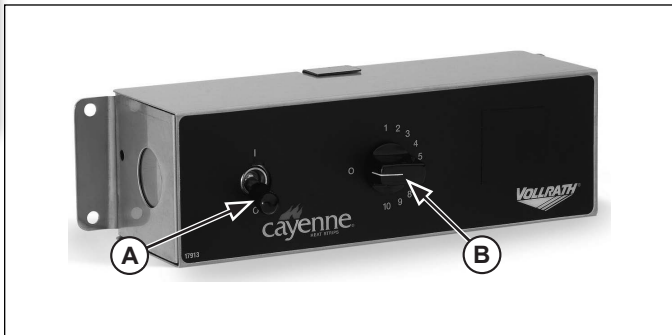


Figura 5. Panel de control con interruptor y control infinito.



Figura 6. Panel de control con interruptores

(A) CONMUTADOR DE ENCENDIDO/APAGADO. Mueva el conmutador hacia arriba para encender la unidad. Muévelo hacia abajo para apagarla. El o los interruptores pueden hacer funcionar elementos calefactores o luces.

(B) CONTROL TÉRMICO INFINITO. Gire el CONTROL TÉRMINO INFINITO desde el cero "0" para encenderlo. Gírelo hasta el ajuste de calor deseado.

INSTALACIÓN DE LA UNIDAD - MONTAJE CABLEADO

CONTROLES DE CONMUTADOR INCORPORADO

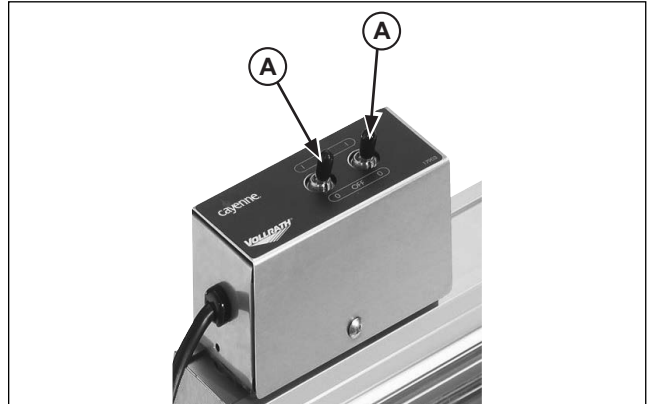


Figura 7. Control de conmutador incorporado con interruptores

(A) CONMUTADOR DE ENCENDIDO/APAGADO. Mueva el conmutador hacia arriba para encender la unidad. Muévelo hacia abajo para apagarla.

OPCIONES DE MONTAJE

NOTA: UL exige que todas las tiras calentadoras con cable y enchufe de todas las marcas se monten en patas. Conforme los términos y condiciones de Vollrath todas las tiras calentadoras constituyen pedidos personalizados por lo que no se pueden cancelar ni devolver.

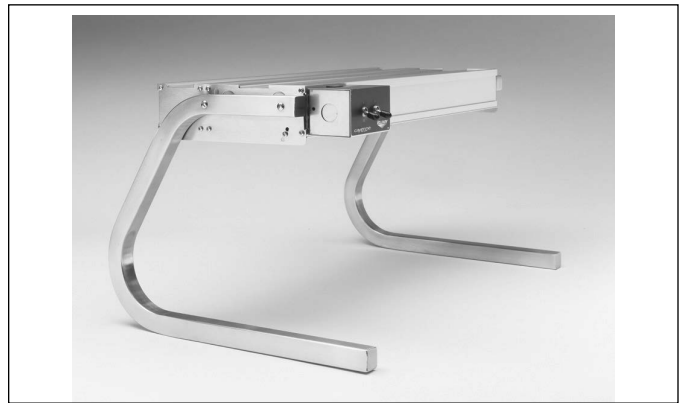


Figura 8. Pedestal de patas en C de acero inoxidable - 13" (33 cm)



Figura 9. Pedestal de patas en T de acero inoxidable - Ajustable de 8 a 15" (22.8 a 38.1 cm)

OPERACIÓN

	ADVERTENCIA
	<p>Peligro de quemaduras. No toque las superficies de calentamiento, los líquidos calientes ni la unidad cuando ésta esté calentando o funcionando. Los alimentos, superficies, vapores y líquidos calientes pueden quemar la piel. Use guantes, mitones o tomaoillas si es necesario para manipular fuentes, platos y equipos calientes.</p>

	ADVERTENCIA
	<p>Peligro de incendio. No instale la unidad cerca de material combustible. No coloque material combustible debajo ni encima de la unidad, ya que puede producirse decoloración o combustión.</p>

	ADVERTENCIA
	<p>Peligro de descarga eléctrica. Evite que ingrese agua o cualquier otro tipo de líquido al interior de la unidad, ya que ello podría causar una descarga eléctrica. La unidad debe ser instalada por personal calificado en cumplimiento con todas las ordenanzas locales y nacionales. No use un cable eléctrico modificado ni dañado.</p>

NOTA: Ciertos envases tales como los de espuma o plástico pueden derretirse si se dejan en la zona de calor. Además, la comida puede comenzar a secarse si se deja en la zona de calor por tiempo prolongado.

1. Cerciérese de que no haya materiales combustibles en contacto con la unidad calentadora de alimentos.
2. Gire el o los interruptores de calentamiento hasta la posición de encendido "ON" o fije el CONTROL TÉRMICO INFINITO en el ajuste deseado. Deje que la unidad se precaliente aproximadamente 15 minutos antes de colocar los alimentos en la zona de calor.
3. Si la unidad viene equipada con luces, enciéndalas.
4. Coloque los alimentos que va a calentar en la zona de calor. Revise regularmente la temperatura de los alimentos. Ajuste los controles si fuera necesario. Consulte la nota:

NOTA:

Supervise estrechamente la temperatura de los alimentos para mantenerlos seguros. El Servicio de Salud Pública de los Estados Unidos (United States Public Health Service) recomienda mantener los alimentos a un mínimo de 140 °F (60 °C) para prevenir el crecimiento de bacterias. Mantenga correctamente el nivel del agua y el ajuste de la temperatura. Retire periódicamente el recipiente para alimentos y revise el nivel del agua. Agregue agua si es necesario.

5. Gire el o los interruptores de calentamiento hasta la posición de apagado "OFF" o gire el control térmico infinito hasta la posición del cero (0) cuando no los use. Apague las luces.

AJUSTE DEL REFLECTOR TÉRMICO

Las tiras calentadoras vienen equipadas con un reflector térmico direccional para poder dirigir la zona de calor y adaptarla del modo más apto para cada aplicación.

1. Apague el o los interruptores. Deje que la unidad se enfríe totalmente antes de continuar.
2. Cerciérese de que la unidad esté fría. Esto se hace para brindar seguridad y poder mover el reflector fácilmente cuando la unidad esté a temperatura ambiente.
3. Retire los tornillos pequeños (A) de los orificios situados en las placas de alineamiento extremas. Hay un tornillo en cada lado de la placa extrema que afianza el reflector. Consulte la Figura 10.

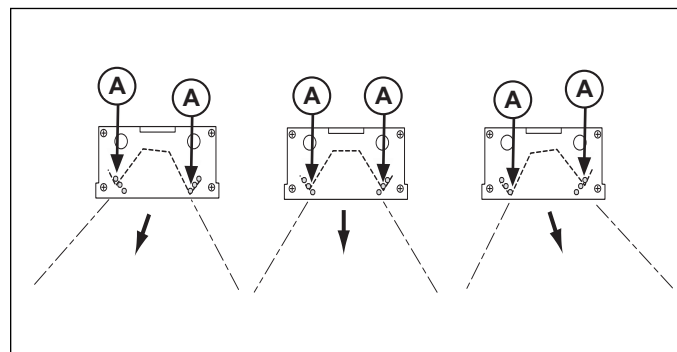


Figura 10. Posiciones del reflector.

1. Gire el reflector en la dirección deseada.
2. Escoja uno de los 3 orificios para tornillos alineadores que se encuentran en el extremo externo de la unidad. Alinee el orificio para tornillos en el extremo del reflector con el orificio correspondiente de la placa extrema a fin de dar la orientación deseada al reflector.
3. Coloque los tornillos en la ubicación deseada y apriételes.

LIMPIEZA

	ADVERTENCIA
	<p>Peligro de quemaduras. Las superficies calientes pueden quemar la piel. Deje que la unidad se enfríe totalmente antes de limpiarla.</p>

	ADVERTENCIA
	<p>Peligro de descarga eléctrica. No rocíe con líquido ni agentes de limpieza la unidad ni los controles. El líquido podría ingresar al compartimiento eléctrico y causar un cortocircuito o descarga eléctrica.</p>

1. Apague el o los interruptores de suministro. Apague el o los interruptores de iluminación. Deje que la unidad se enfríe totalmente.
2. Limpie el exterior de la unidad con un paño húmedo y limpio.
3. No emplee materiales abrasivos, limpiadores que rayen ni esponjas metálicas para limpiar la unidad, ya que pueden dañar el acabado.
4. Elimine totalmente los restos de detergente o limpiadores químicos suaves, ya que los residuos podrían corroer la superficie de la unidad.

SOLUCIÓN DE PROBLEMAS

Todos los procedimientos deben ser llevados a cabo por personas calificadas. Ello puede incluir agentes de servicio autorizados por Vollrath o personal especial entrenado que cumpla los códigos locales.

Problema	Podría deberse a	Solución
La unidad se enciende pero no hay calor.	Unidad sin suministro.	Revise que haya suministro en el tomacorriente. Reinicie el cortacircuito si es necesario.
	Interruptor defectuoso.	Reemplácelo.
	Problema con el cableado o el elemento calefactor.	Verifique que todo el cableado esté en buen estado. Verifique que el elemento esté bien conectado. Revise el elemento y reemplácelo si fuera necesario.
La unidad está encendida, pero caliente poco.	La unidad está montada demasiado alto sobre la zona de calentamiento.	Vuelva a montarla más baja, situando el calor más cerca de la zona de calentamiento. Consulte el capítulo Espacios libres para la instalación de la unidad en la página 2.
	Circulación excesiva de aire frío por la zona de calentamiento o la unidad.	Restrinja o reoriente el movimiento del aire lejos de la zona de calentamiento o la unidad.
	Suministro eléctrico incorrecto (bajo).	Verifique que el suministro eléctrico coincida con el voltaje indicado en la placa identificatoria.
Las luces o los interruptores se queman tras un período corto.	Revise la altura de montaje. Si la unidad está baja se sobrecalentará.	Verifique que la unidad esté montada tal como se especifica en el capítulo Espacios libres para la instalación de la unidad en la página 2. Si la unidad no está a la altura correcta, vuelva a montarla.

DIAGRAMA ELÉCTRICO DEL CALENTADOR DE 120 VOLTIOS ~ CONTROL INFINITO

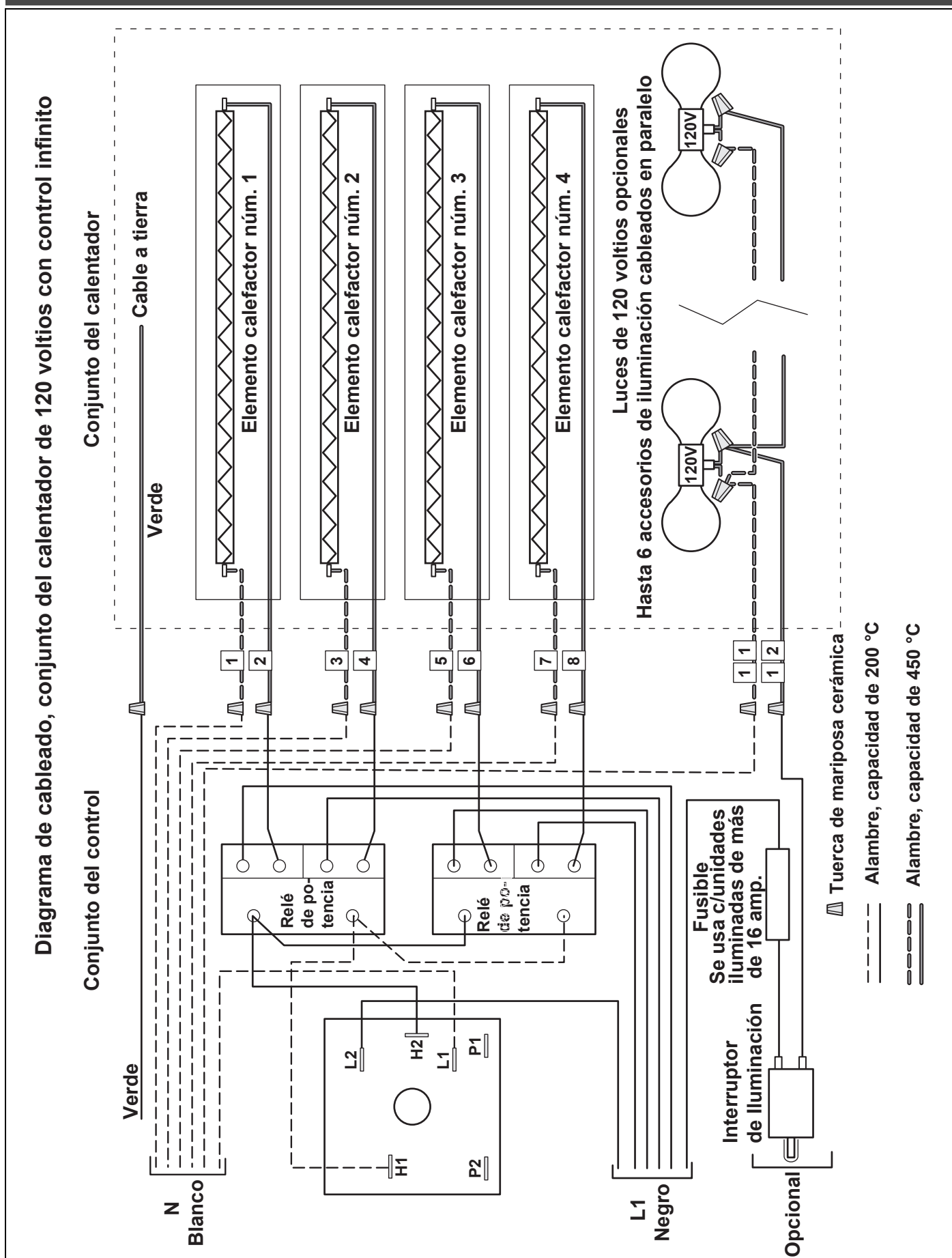


Diagrama de cableado, conjunto del calentador de 120 voltios con control de conmutador

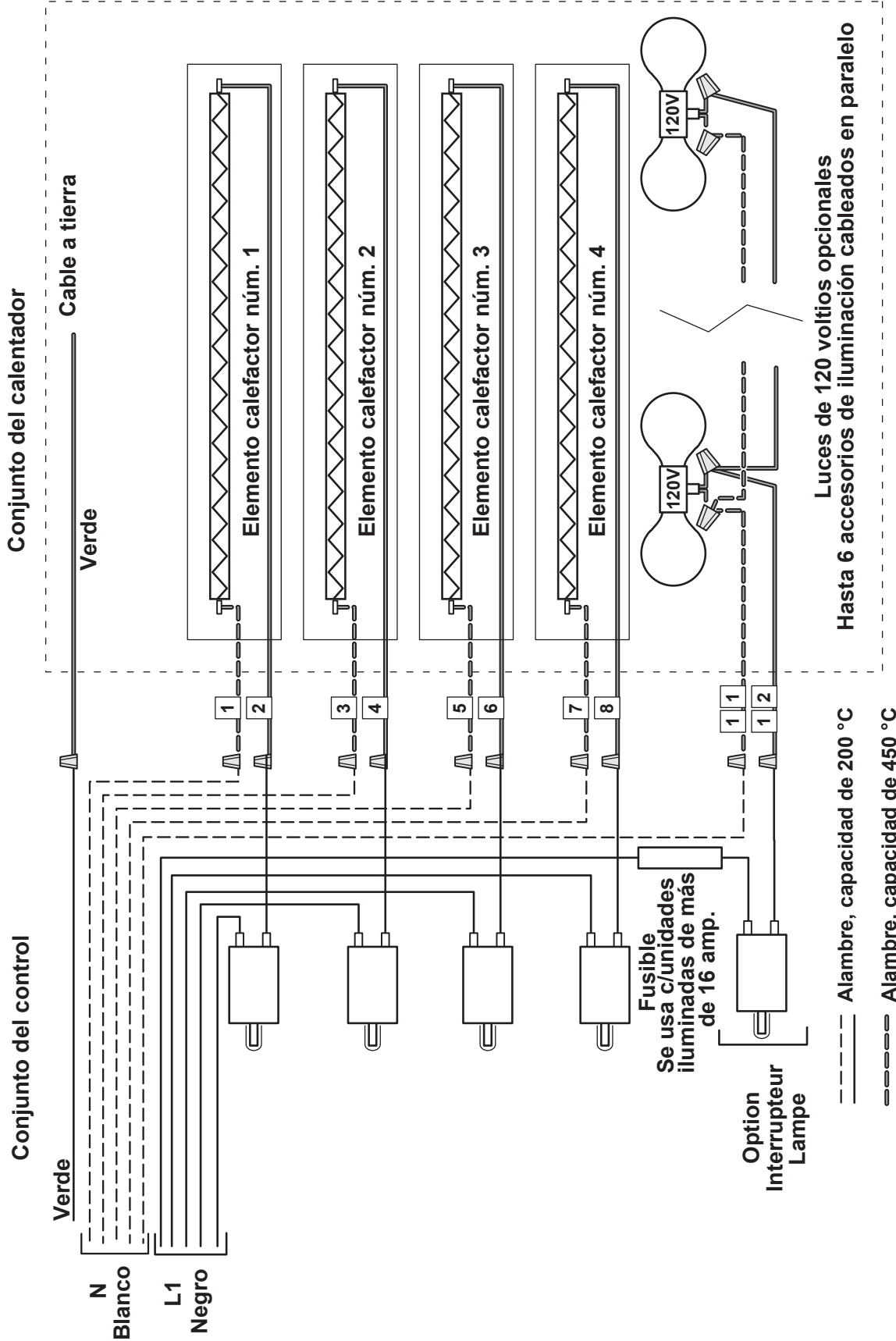


DIAGRAMA ELÉCTRICO DEL CALENTADOR DE 208 - 240 VOLTIOS ~ CONTROL INFINITO

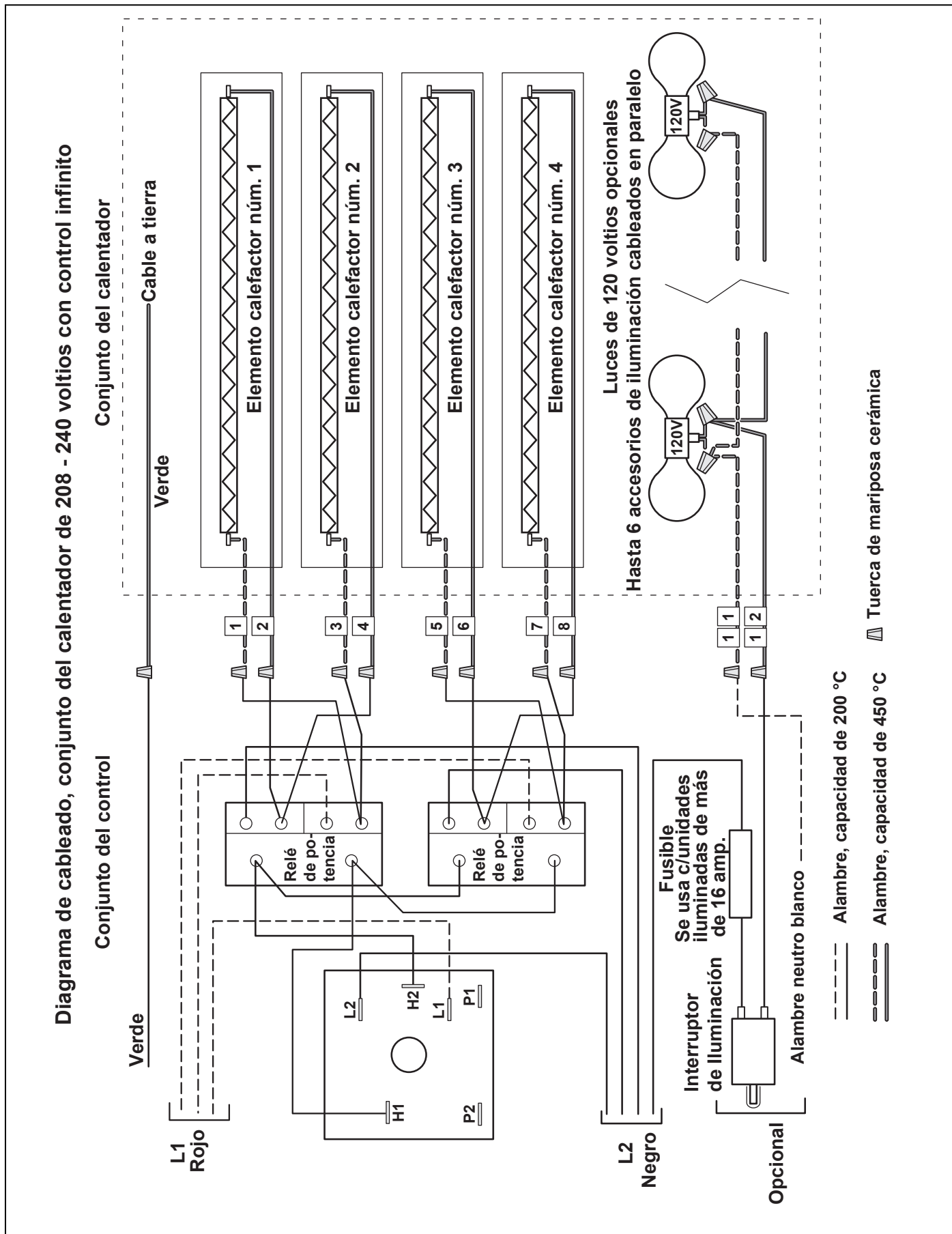
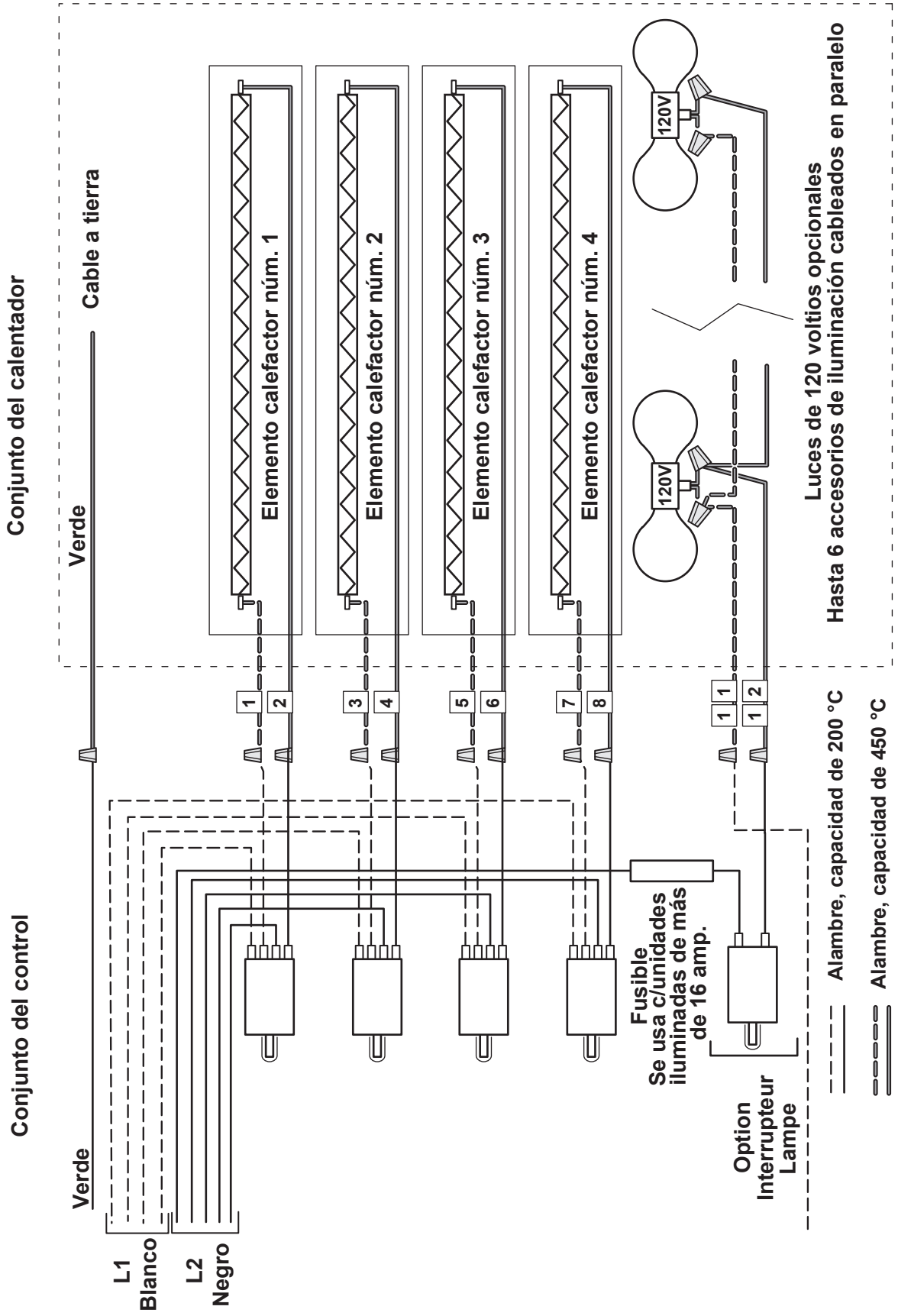


Diagrama de cableado, conjunto del calentador de 208 - 240 voltios con control de conmutador



Lined area for notes, consisting of horizontal lines and a top thick header line.

SERVICIO Y REPARACIÓN

La única pieza que puede ser reparada por el usuario de este artefacto es la bombilla. Para evitar lesiones o daños materiales graves, no trate de reparar el equipo ni reemplazar un cable eléctrico por su cuenta. No envíe el equipo directamente a The Vollrath Company. Comuníquese con el servicio de reparación profesional calificado que se menciona a continuación.

VOLLRATH Technical Service • 1-800-628-0832 • 1-920-457-4851 • Email: techservicereps@vollrathco.com

Al comunicarse con el centro de servicio de reparación profesional autorizado, esté listo para proporcionar el número de modelo, número de serie y el comprobante de compra que muestre la fecha en que adquirió el equipo.

CLÁUSULA DE GARANTÍA DE THE VOLLRATH CO. L.L.C.

Esta garantía no se aplica a los productos adquiridos para uso personal, familiar ni doméstico, y The Vollrath Company LLC no ofrece una garantía por escrito a los compradores para dichos usos.

The Vollrath Company LLC garantiza cada uno de sus productos enumerados a continuación contra defectos en materiales y fabricación durante el período pertinente indicado a continuación. Todos los demás productos fabricados o distribuidos por The Vollrath Company LLC están garantizados contra defectos en materiales y fabricación por un período de un año. En todos los casos, la garantía rige desde la fecha de compra original del usuario final que aparece en el recibo.

- Tiras calentadoras Cayenne®, elemento calefactor solamente – período de garantía de 2 años.
- Para los compresores de refrigeración y el segundo año de garantía para las batidoras y tiras calentadoras Cayenne®, The Vollrath Company LLC proporcionará la pieza solamente y el comprador asumirá la responsabilidad por todos los gastos de mano de obra en que se incurra en la reparación o reemplazo.
- Repuestos – período de garantía de 90 días.
- Esta garantía no cubre el vidrio, las bombillas ni el vidrio de la protección contra aliento.

Para obtener información de garantía, inscripción de productos y anuncios de productos nuevos, visite www.vollrath.com.



www.vollrath.com

The Vollrath Company, L.L.C.
1236 North 18th Street
Sheboygan, WI 53081-3201
U.S.A.

Main Tel: 800.628.0830
Fax: 800.752.5620

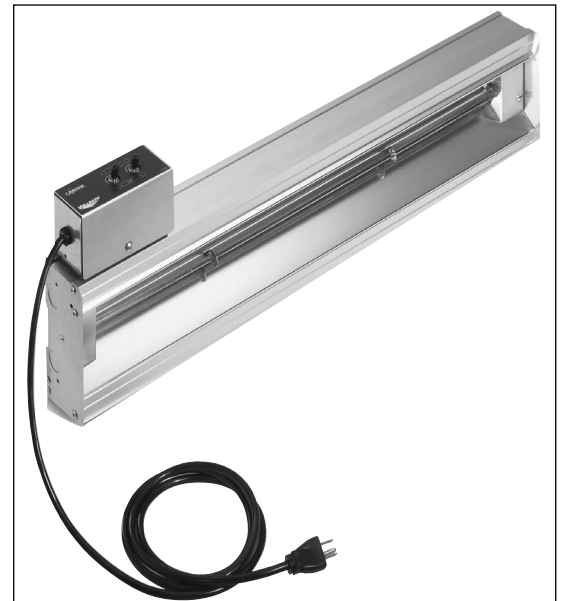
Technical Services: 800.628.0832
Service Fax: 920.459.5462

Canada Service: 800.695.8560

© 2014 The Vollrath Company, L.L.C.

Manuel d'utilisation

RAMPES CHAUFFANTES ET RAMPES D'ÉCLAIRAGE CAYENNE®



ENREGISTREZ VOTRE PRODUIT EN LIGNE SUR WWW.VOLLRATH.COM

Merci d'avoir acheté cet appareil Vollrath. Avant d'utiliser cet appareil, lisez et familiarisez-vous avec le mode d'emploi et les consignes d'utilisation qui suivent. CONSERVEZ CES INSTRUCTIONS POUR RÉFÉRENCE ULTÉRIEURE. Conservez l'emballage et le carton d'origine. L'emballage devra être réutilisé pour expédier l'appareil si une réparation est nécessaire.

CONSIGNES DE SÉCURITÉ

Pour garantir un fonctionnement sûr, lisez les avertissements suivants et comprenez leur signification. Ce manuel contient des consignes de sécurité, présentées ci-dessous. Lisez-les attentivement.

AVERTISSEMENT

Un avertissement indique la présence d'un danger qui *peut* causer des blessures graves, un décès ou des dégâts matériels importants s'il est ignoré.

ATTENTION

Une mise en garde indique la présence d'un danger qui *causera* ou *pourra* causer des blessures mineures ou des dégâts matériels si elle est ignorée.

REMARQUE

Une remarque signale des informations importantes sur l'installation, l'utilisation et la maintenance mais ne présentant pas de danger.

Pour votre sécurité !

Ces consignes de sécurité doivent être suivies à tout moment sous peine de blessures.

Pour réduire le risque de blessures et d'endommagement de l'appareil :

- Utilisez l'appareil uniquement sur une prise de terre ou un circuit correspondant à la tension nominale de la plaque signalétique.
- Cet appareil doit uniquement être utilisé en position horizontale.
- Débranchez l'appareil et laissez-le refroidir avant de le nettoyer ou de le déplacer.
- N'utilisez pas l'appareil sans surveillance.
- N'utilisez pas de rallonges électriques, barrettes d'alimentation ou parasurtenseurs avec cet appareil.

- Installez l'appareil aux distances spécifiées à la section **Installation** de ce manuel. Distance minimum des surfaces suivantes :
Environnement combustible 12.7 cm sur les côtés 5 cm au-dessus
Environnement non combustible 12.5 cm sur côtés 2.5 cm au-dessus
- Retrait par rapport au bord du passage des plats 20.3 cm de tout bord
- Les appareils exigeant un câblage pour l'installation doivent suivre les normes du Code électrique national (CEN) et les décrets locaux.
- Utilisez seulement des ampoules conformes aux normes NSF et spécialement conçues pour les zones de service des aliments. Le bris d'ampoules en verre non traité risque de causer des blessures ou de contaminer les aliments.
- Ne placez pas de matières ou ne laissez pas de matières combustibles entrer en contact avec l'appareil.
- Cet appareil ne contient aucune pièce réparable par l'utilisateur. Pour toute réparation, contactez un agent de maintenance agréé par Vollrath.
- Un agent technique agréé devra utiliser des pièces détachées Vollrath authentiques sous peine d'annulation de la garantie et de danger.
- Ne vaporisez pas les commandes ou l'extérieur de l'appareil avec des liquides ou des produits nettoyants.
- Les appareils exigeant un coupe-circuit de plus de 20 A devront avoir un circuit séparé pour le circuit d'éclairage inférieur à 20 A.

FONCTION ET OBJET

Rampes chauffantes = Ces appareils doivent servir de source de chaleur pour maintenir les aliments à des températures sûres jusqu'à ce qu'ils soient servis. Elles ne sont pas destinées à la cuisson d'aliments crus ou la remise en température de plats préparés. Les aliments doivent être préparés et placés dans les stations pour aliments aux températures correctes.

Rampes d'éclairage = Ces appareils doivent être utilisés pour éclairer les zones de présentation/service d'aliments ou de préparation des plats.

DÉBALLAGE ET INSTALLATION INITIALE

Enlevez avec précaution les caisses et le matériel d'emballage de l'appareil. Jetez tout le matériel d'emballage en respectant l'environnement.

DISTANCES D'INSTALLATION

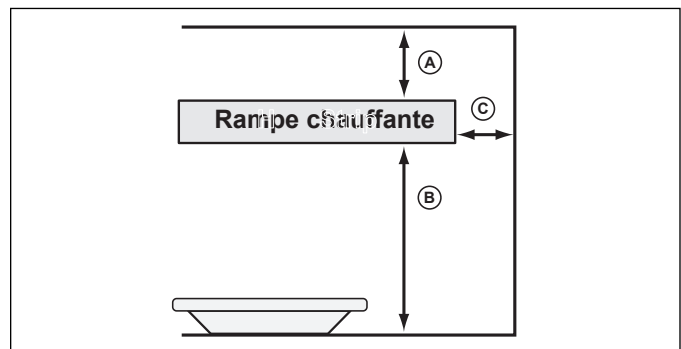
AVERTISSEMENT

Risque d'incendie.
N'installez pas l'appareil à proximité d'un matériau combustible. Ne placez pas de matériau combustible sous ou sur l'appareil. Risque de décoloration ou de combustion.

AVERTISSEMENT

Risque d'électrocution.
Empêchez toute infiltration d'eau et autres liquides dans l'appareil. L'infiltration de liquide dans l'appareil risque de causer une électrocution. L'appareil doit être installé par un personnel qualifié conformément à tous les décrets locaux et nationaux. N'utilisez pas l'appareil si le cordon d'alimentation est abîmé ou a été modifié.

Cet appareil doit être installé par un personnel qualifié, conformément aux codes électriques. Pour un fonctionnement sûr, les distances suivantes doivent être maintenues entre l'appareil et les surfaces avoisinantes. Il est recommandé de s'y prendre au moins à deux pour installer cet appareil.



Dégagements minimums		Simple Surface non combustible	Simple Surface combustible	Double Surface non combustible	Double Surface combustible
A Du haut de la rampe à surface au-dessus (minimum)		1" (2.5 cm)	2" (5.1 cm)	1" (2.5 cm)	2" (5.1 cm)
B Du bas de la rampe à la surface en dessous	Moyenne puissance	11" (27.9 cm)	13" (33.0 cm)	18" (45.7 cm)	20" (50.8 cm)
	Haute puissance	16" (40.6 cm)	16" (40.6 cm)	24" (60.9 cm)	25" (63.5 cm)
C Du côté de la rampe à la surface adjacente (min.)		1" (2.5 cm)	5" (12.7 cm)	1" (2.5 cm)	5" (12.7 cm)

Retrait par rapport à l'ouverture sur le modèle à passage de plats : 8" (20.3 cm) maximum

REMARQUE :

Cet appareil doit être installé à un endroit qui ne sera pas affecté par la chaleur qu'il dégage. Les dommages subis par les comptoirs à surface pleine ou autres matériaux situés dans la zone de chauffe de ce produit ne sont pas couverts par la garantie.

INSTALLATION DE LA GARNITURE KOOL-TOUCH®

L'option de garniture Kool-Touch® est expédiée séparément. Elle devra être installée sur l'appareil. Nous recommandons l'installation de cette option avant le montage de l'appareil.

1. En commençant sur le côté sans boîtier de commande (A), glissez le panneau Kool-Touch® (B) en position à partir d'une extrémité de l'appareil. Glissez le panneau Kool-Touch® dans la gorge (C) sur le côté de l'appareil jusqu'à ce qu'il soit en place. (Les appareils mis bout à bout exigeront deux pièces coupées à la bonne longueur.) (Figure 1).

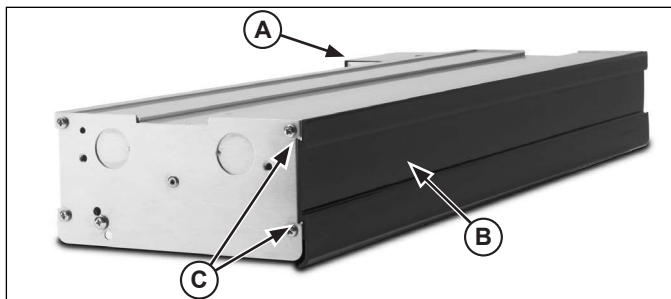


Figure 1. Installation des panneaux Kool-Touch®.

2. Le panneau à placer côté de l'appareil qui porte le boîtier de commande devra être coupé. Mesurez la zone à couvrir avec panneau Kool-Touch®.
3. Marquez la longueur à couvrir sur le panneau Kool-Touch®.
4. Placez un chiffon doux humecté sous l'extrémité du panneau Kool-Touch® à couper pour éviter que le panneau Kool-Touch® ne raye ou ne glisse durant la coupe.
5. À l'aide d'une scie à métaux munie d'une lame en plastique ou en métal fine, coupez lentement le panneau à la bonne longueur.
6. Installez le panneau sur l'appareil de la même manière que sur le côté opposé.

INSTALLATION DE L'APPAREIL - MONTAGE PAR CÂBLAGE DIRECT

INSTALLATION SUPERPOSÉE

Les supports de fixation superposée s'achètent en option pour les appareils à câblage direct. Les supports sont disponibles dans des longueurs de 1 po (2.5 cm) ou 2 po (5 cm). Les modèles doubles exigent deux jeux de supports.

REMARQUE :

Les supports de fixation superposée ne pourront pas être utilisés avec des appareils de plus de 72 po (182.9 cm) de longueur.

1. Accédez à la zone d'installation de l'appareil et marquez l'emplacement des supports de fixation centraux. Assurez-vous que le matériau sur lequel l'appareil sera fixé pourra supporter son poids.
2. Fixez le support de fixation superposée (A) aux trous de fixation (B) à l'aide des rondelles d'arrêt (C) et des vis (D). Reprenez à l'autre extrémité. (Figure 2).

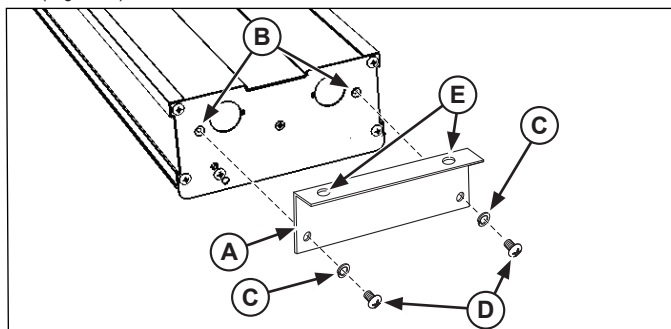


Figure 2. Installation des supports de fixation superposée.

3. Montez les supports et l'appareil sur une surface adaptée en utilisant les trous (E) et la visserie adaptée.

INSTALLATION DES SUPPORTS CENTRAUX

Les supports de fixation superposée s'achètent en option pour les appareils à câblage direct. Les supports sont disponibles dans des longueurs de 1 po (2.5 cm) ou 2 po (5 cm). Les installations en double exigent des supports sur chaque appareil.

REMARQUE :

Pour les appareils de plus de 72 po (183 cm), trois (3) points de fixation minimum comprenant les deux extrémités et le centre doivent être utilisés.

1. Accédez à la zone d'installation de l'appareil et marquez l'emplacement des supports de fixation centraux. Assurez-vous que le matériau sur lequel l'appareil sera fixé pourra supporter son poids.
2. Pour un maximum de stabilité, les supports doivent être placés près des extrémités du réchaud.
3. Montez le support de suspension (A) avec la découpe en T, aux endroits identifiés à l'étape 1. Figure 3.

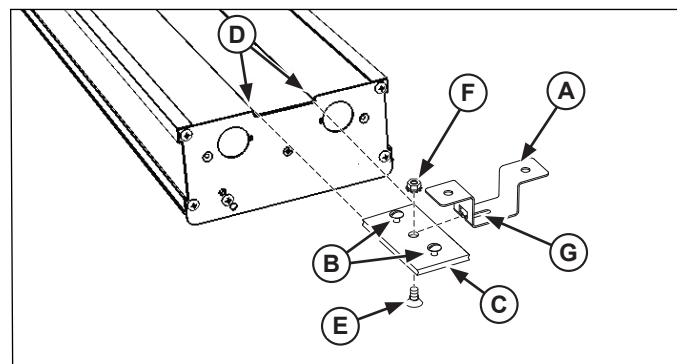


Figure 3. Installation des supports de fixation centraux.

4. Desserrez les deux vis (B) au centre des plaques de gorge (C), assez loin pour qu'elles ne dépassent pas du dessous de la plaque.
5. Glissez les plaques de gorge (C) dans la gorge (D) sur le dessus de l'appareil.
6. Mesurez la distance des points centraux des supports de suspension (A) et glissez les plaques de gorge (C) dans la gorge (D) sur le dessus de l'appareil pour que les vis centrales (E) de la plaque de gorge (C) corresponde à la distance entre le centre de la découpe en T (G) dans les supports (A).
7. Serrez les deux vis extérieures (B) dans la plaque de gorge (C) pour verrouiller la plaque de gorge en position.
8. Desserrez l'écrou (F) au centre de la plaque de gorge (C), mais NE L'ENLEVEZ PAS
9. Soulevez l'appareil et alignez l'écrou (F) au centre de la plaque de gorge (C) sur la découpe en T dans le support (A) monté à l'étape 2.
10. Glissez l'écrou (F) la découpe en T et SERREZ L'ÉCROU pour maintenir l'appareil en place. L'ÉCROU DOIT ÊTRE SERRÉ POUR ÉVITER QUE L'APPAREIL NE GLISSE DU SUPPORT.

INSTALLATION SUSPENDUE PAR CHAÎNE

REMARQUE : Les appareils de plus de 72 po (183 cm) de longueur doivent utiliser le point de fixation central.

1. L'appareil est expédié avec des pattes de fixation (A) à chaque extrémité de l'appareil. Pour les appareils de plus de 72 po (183 cm), trois (3) points de fixation minimum comprenant les deux extrémités et le centre de l'appareil doivent être utilisés. (Figure 4).
2. Desserrez les vis (B) qui fixent les pattes en position mais ne les enlevez pas. Tournez les pattes (A) pour les redresser et attachez la chaîne aux trous (C). La chaîne doit soutenir uniformément chaque côté de chaque extrémité de l'appareil.

3. Suspendez la chaîne à un point de suspension approprié au-dessus de la zone à garder chaude. Assurez-vous que le point de suspension est adéquate pour le poids total de l'appareil et de la chaîne.
4. Ajustez la hauteur de l'appareil en veillant à ce qu'il soit à l'horizontale et que chaque point soutienne uniformément le poids de l'appareil.
5. Serrez les vis (B) pour fixer les pattes.

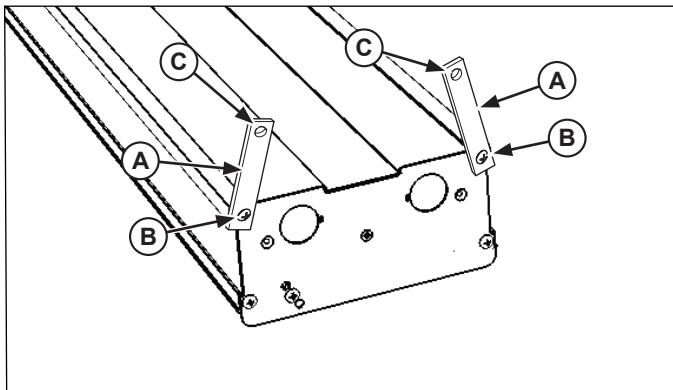


Figure 4. Installation suspendue par chaîne.

FIXATION À DISTANCE DES COMMANDES

REMARQUE : Les installations doivent se faire conformément aux réglementations du Code électrique national (CEN).

Les boîtiers de commande doivent être solidement montés aux surfaces à l'aide de la visserie appropriée. Montez le(s) boîtier(s) de commande de manière à ce qu'on ne puisse pas les cogner ou les allumer/éteindre accidentellement.

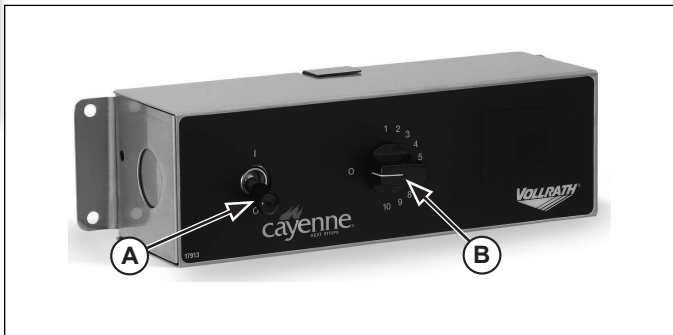


Figure 5. Panneau de commande avec interrupteur et sélecteur.

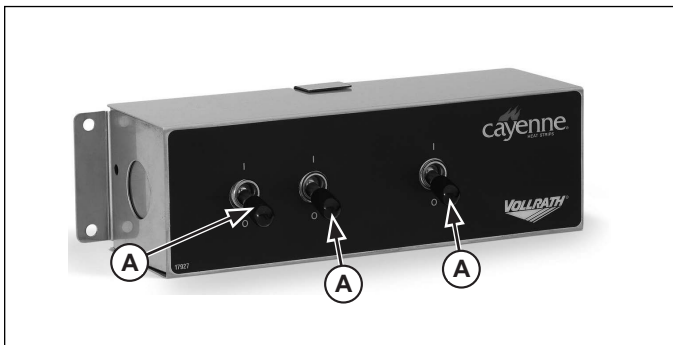


Figure 6. Panneau de commande avec interrupteurs

- (A) **Interrupteur de marche/arrêt** à bascule. Placez l'interrupteur à bascule en position relevée pour mettre en marche. Abaissez-le pour éteindre. Les interrupteurs peuvent activer les éléments chauffants ou les éclairages.
- (B) **SÉLECTEUR.** Tournez le SÉLECTEUR (sortez-le du 0) pour activer la commande. Tournez à la température souhaitée.

INSTALLATION DE L'APPAREIL - MONTAGE PAR CÂBLAGE

COMMANDES À BASCULE EMBARQUÉES

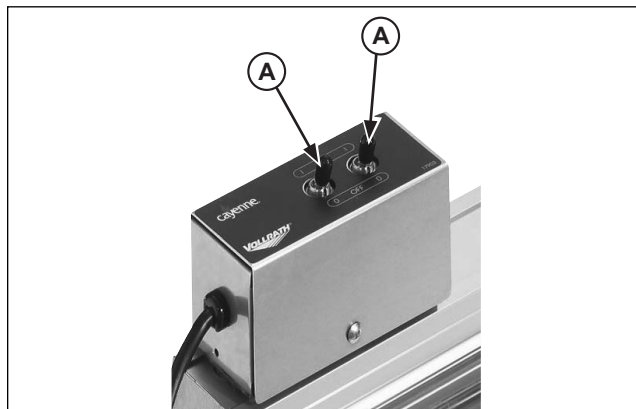


Figure 7. Commande à bascule embarquée avec interrupteurs

- (A) **Interrupteur de marche/arrêt** à bascule. Placez l'interrupteur à bascule en position relevée pour mettre en marche. Abaissez-le pour éteindre.

OPTIONS D'INSTALLATION

REMARQUE : UL exige que toutes les rampes chauffantes à fiche et cordon, tous fabricants confondus, soient montées sur pieds. Toutes les rampes chauffantes étant commandées sur mesure, elles ne peuvent pas être annulés ou retournées conformément aux Termes et conditions Vollrath.

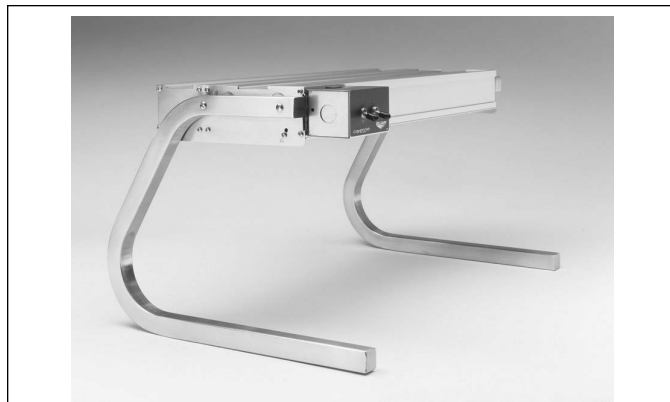


Figure 8. Socle inox à pieds en C - 13 po (33 cm)



Figure 9. Socle inox à pieds en T - Réglable entre 8 et 15 po (22,8 et 38,1 cm)

OPERATION

	AVERTISSEMENT
	<p>Risque de brûlure. Ne touchez pas les surfaces de chauffe ou le liquide quand l'appareil chauffe ou fonctionne. Les aliments, les surfaces, la vapeur et les liquides chauds peuvent causer des brûlures. Utilisez des gants, gants de four ou maniques pour saisir les bacs, assiettes et équipements chauds.</p>

	AVERTISSEMENT
	<p>Risque d'incendie. N'installez pas l'appareil à proximité d'un matériau combustible. Ne placez pas de matériau combustible sous ou sur l'appareil. Risque de décoloration ou de combustion.</p>

	AVERTISSEMENT
	<p>Risque d'électrocution. Empêchez toute infiltration d'eau et autres liquides dans l'appareil. L'infiltration de liquide dans l'appareil risque de causer une électrocution. L'appareil doit être installé par un personnel qualifié conformément à tous les décrets locaux et nationaux. N'utilisez pas l'appareil si le cordon d'alimentation est abîmé ou a été modifié.</p>

REMARQUE : Certains récipients tels que des récipients en polystyrène ou en plastique risquent de fondre s'ils sont laissés dans la zone de chauffe. Par ailleurs, les aliments laissés dans la zone de chauffe risquent de commencer à se dessécher s'ils restent dans la zone de chauffe pendant longtemps.

1. Veillez à ce qu'aucun matériau combustible n'entre en contact ou ne soit placé à proximité de l'appareil chauffant.
2. Mettez les interrupteurs en position Marche ou tournez le SÉLECTEUR à la température souhaitée. Laissez préchauffer l'appareil pendant 15 minutes environ avant de mettre les aliments dans la zone de chauffe.
3. Si l'appareil est équipé d'un éclairage, allumez les lampes.
4. Placez les aliments à garder au chaud dans la zone de chauffe. Vérifiez régulièrement la température des aliments. Ajustez les commandes au besoin. Voir Remarque.

REMARQUE :
Surveillez de près la température des aliments pour maintenir la sécurité des aliments. Les services d'hygiène publique des États-Unis préconisent le maintien des aliments chauds à 140 °F (60 °C) minimum pour éviter la prolifération des bactéries. Maintenez l'eau et la température au niveau correct. Enlevez périodiquement le bac contenant les aliments et vérifiez le niveau d'eau. Ajoutez de l'eau au besoin.

5. Lorsque l'appareil n'est pas utilisé, placez les interrupteurs en position Arrêt ou mettez le sélecteur à zéro (0). Éteignez les lampes.

RÉGLAGE DU RÉFLECTEUR THERMIQUE

Les rampes chauffantes sont équipées d'un réflecteur thermique directionnel pour permettre à la zone de chauffe d'être dirigée au mieux en fonction de chaque application.

1. Placez les interrupteurs en position Arrêt. Laissez complètement refroidir l'appareil avant de continuer.
2. Assurez-vous que l'appareil est frais. Ceci est une mesure de sécurité qui permet en plus de déplacer le réflecteur plus facilement quand l'appareil est à température ambiante.
3. Enlevez les petites vis (A) des trous sur les plaques d'alignement terminales. Il y a une vis de chaque côté de la plaque terminale qui fixe le réflecteur. (Figure 10).

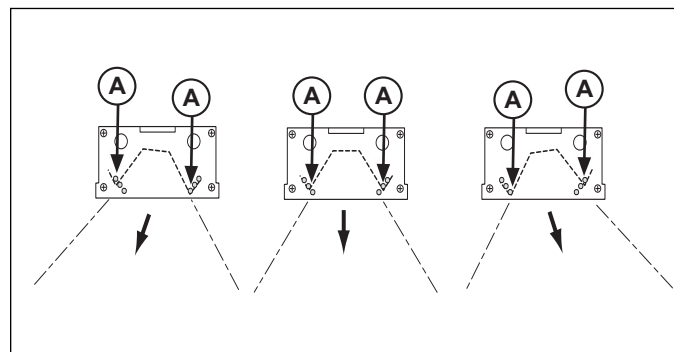


Figure 10. Positions du réflecteur.

4. Pivotez le réflecteur dans la direction souhaitée.
5. Vous avez le choix entre trois trous de vis d'alignement, situés sur l'extérieur de l'appareil. Alignez le trou de vis à l'extrémité réflecteur sur le trou approprié de la plaque terminale en fonction de la direction souhaitée pour le réflecteur.
6. Placez les vis à l'endroit approprié et serrez

NETTOYAGE

	AVERTISSEMENT
	<p>Risque de brûlure. Les surfaces chaudes peuvent brûler la peau. Laissez complètement refroidir l'appareil avant de le nettoyer.</p>

	AVERTISSEMENT
	<p>Risque d'électrocution. Ne vaporisez pas les commandes ou l'appareil avec un liquide ou un produit nettoyant. Du liquide risque d'entrer dans le compartiment électrique et de causer une décharge électrique.</p>

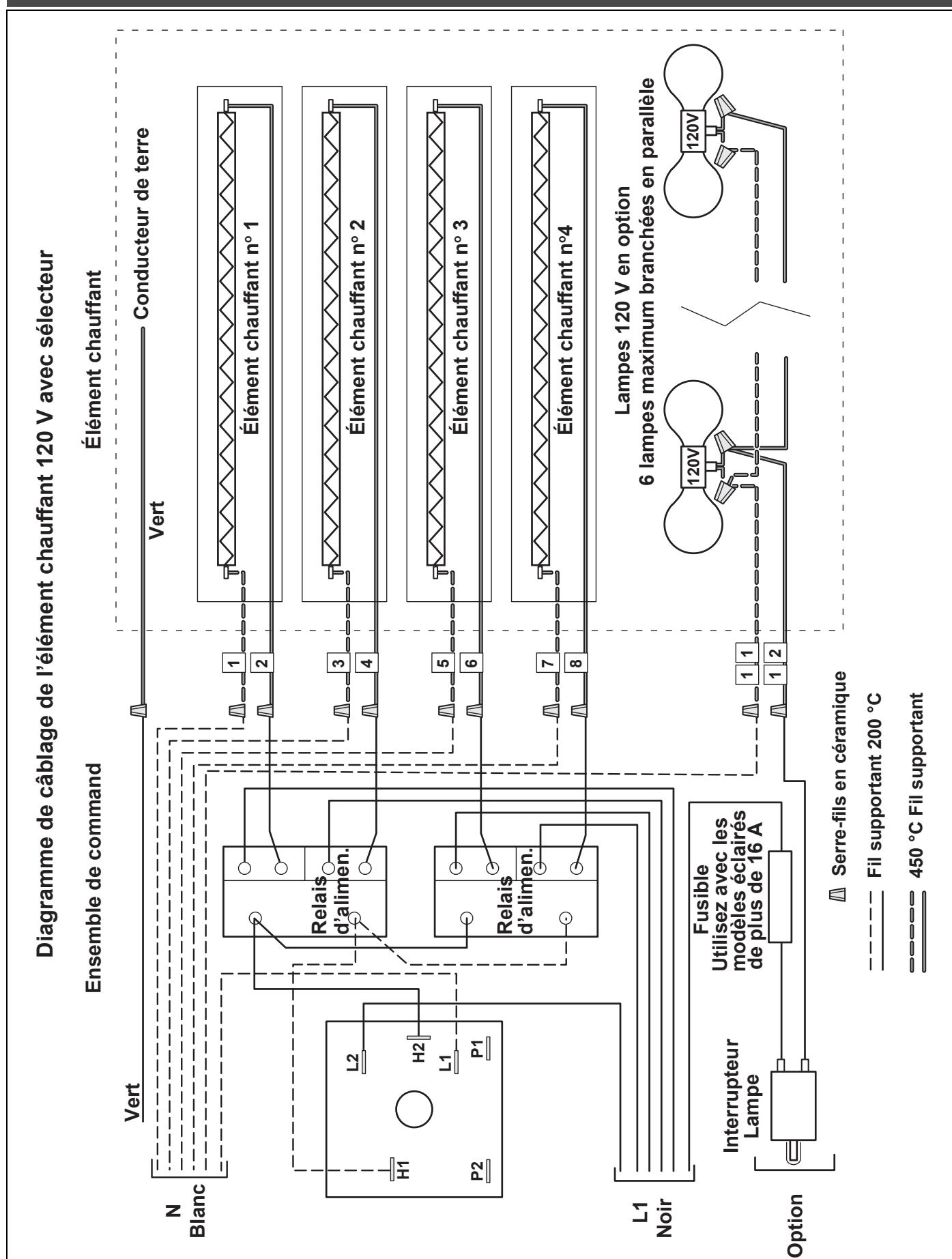
1. Placez les interrupteurs sur Arrêt. Éteignez les lampes. Laissez complètement refroidir l'appareil.
2. Essuyez l'extérieur de l'appareil avec un chiffon humide propre.
3. N'utilisez pas de produits ou nettoyants abrasifs, ni de tampons récurants pour nettoyer l'appareil sous peine d'endommager la finition.
4. Essuyez bien tout résidu de savon doux ou de nettoyants chimiques. Les résidus risquent de corroder les surfaces de l'appareil.

DÉPANNAGE

Toutes les procédures doivent être confiées à des personnes qualifiées. Ceci inclut des agents techniques agréés par Vollrath ou un personnel spécialement formé au respect des codes locaux.

Problème	La cause en est peut-être...	Mesure corrective
L'interrupteur de l'appareil est en position Marche, mais il ne chauffe pas.	L'appareil n'est pas alimenté.	Vérifiez la présence d'alimentation à la prise secteur. Réarmez le disjoncteur si nécessaire.
	Interrupteur défectueux.	Remplacez l'interrupteur.
	Problème de câblage ou d'élément chauffant.	Assurez-vous que tous les fils conducteurs sont en bon état. Assurez-vous que l'élément chauffant est correctement branché. Vérifiez l'élément chauffant et remplacez au besoin.
L'appareil est sous tension, mais il chauffe faiblement.	L'appareil est installé trop haut au-dessus de la zone de chauffe.	Remontez l'appareil en le plaçant plus bas, plus près de la zone de chauffe. Voir Distances d'installation , à la page 2.
	Circulation d'air froid excessive autour de la zone de chauffe ou de l'appareil.	Limitez ou déviez le mouvement d'air loin de la zone de chauffe ou de l'appareil.
	Alimentation électrique inadaptée (basse).	Assurez-vous que l'alimentation utilisée correspond à celle indiquée sur la plaque signalétique.
Les interrupteurs grillent rapidement.	Vérifiez la hauteur d'installation. Si l'appareil est trop bas, il surchauffera.	Assurez-vous que l'appareil est monté comme indiqué à la section Distances d'installation , à la page 2. S'il n'est pas à la bonne hauteur, remontez l'appareil.

DIAGRAMME ÉLECTRIQUE DES ÉLÉMENTS CHAUFFANTS 120 V ~ SÉLECTEUR



FRANÇAIS

Diagramme de câblage de l'élément chauffant 120 V avec interrupteur à bascule

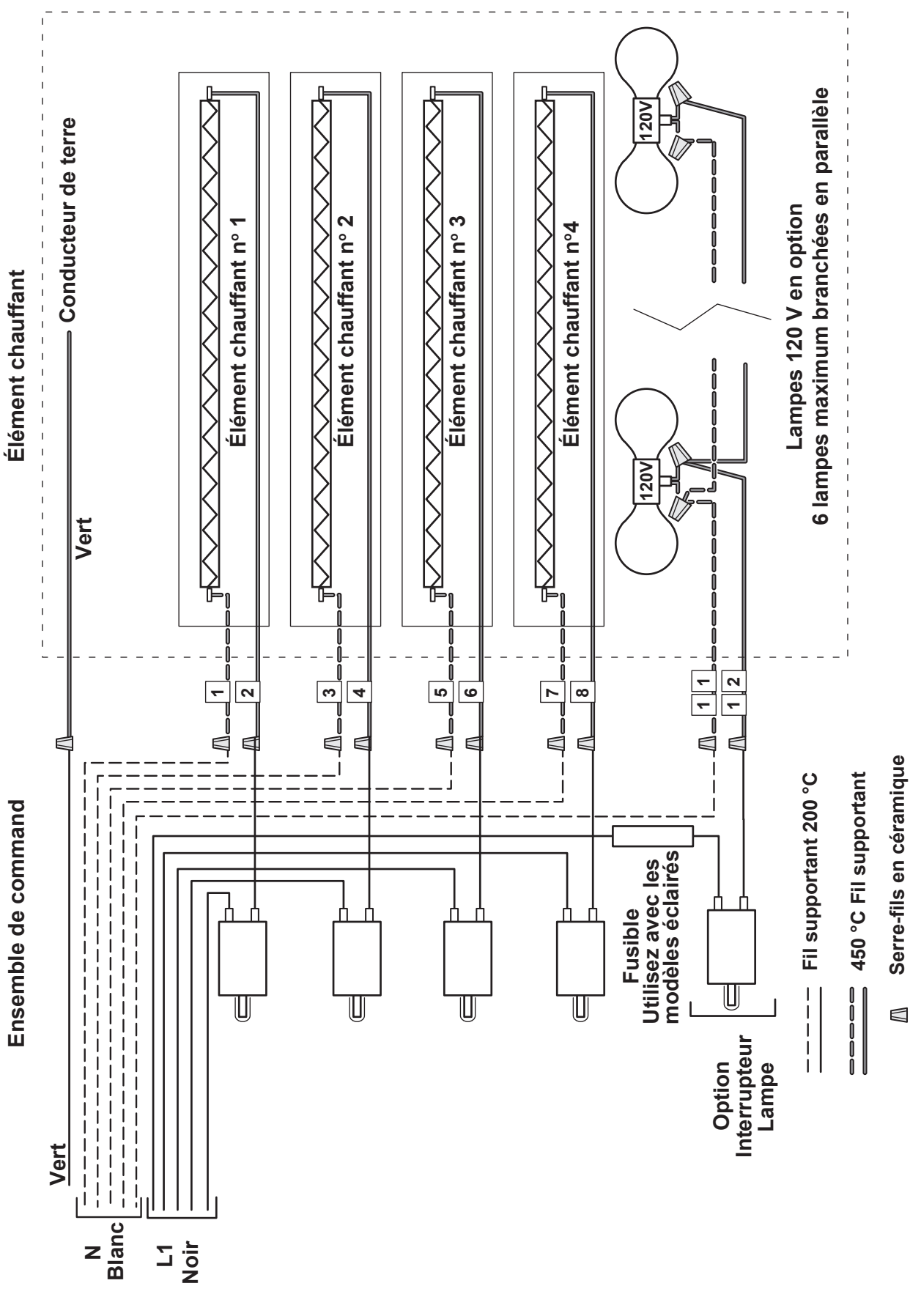


DIAGRAMME ÉLECTRIQUE DES ÉLÉMENTS CHAUFFANTS 208 À 240 V ~ SÉLECTEUR

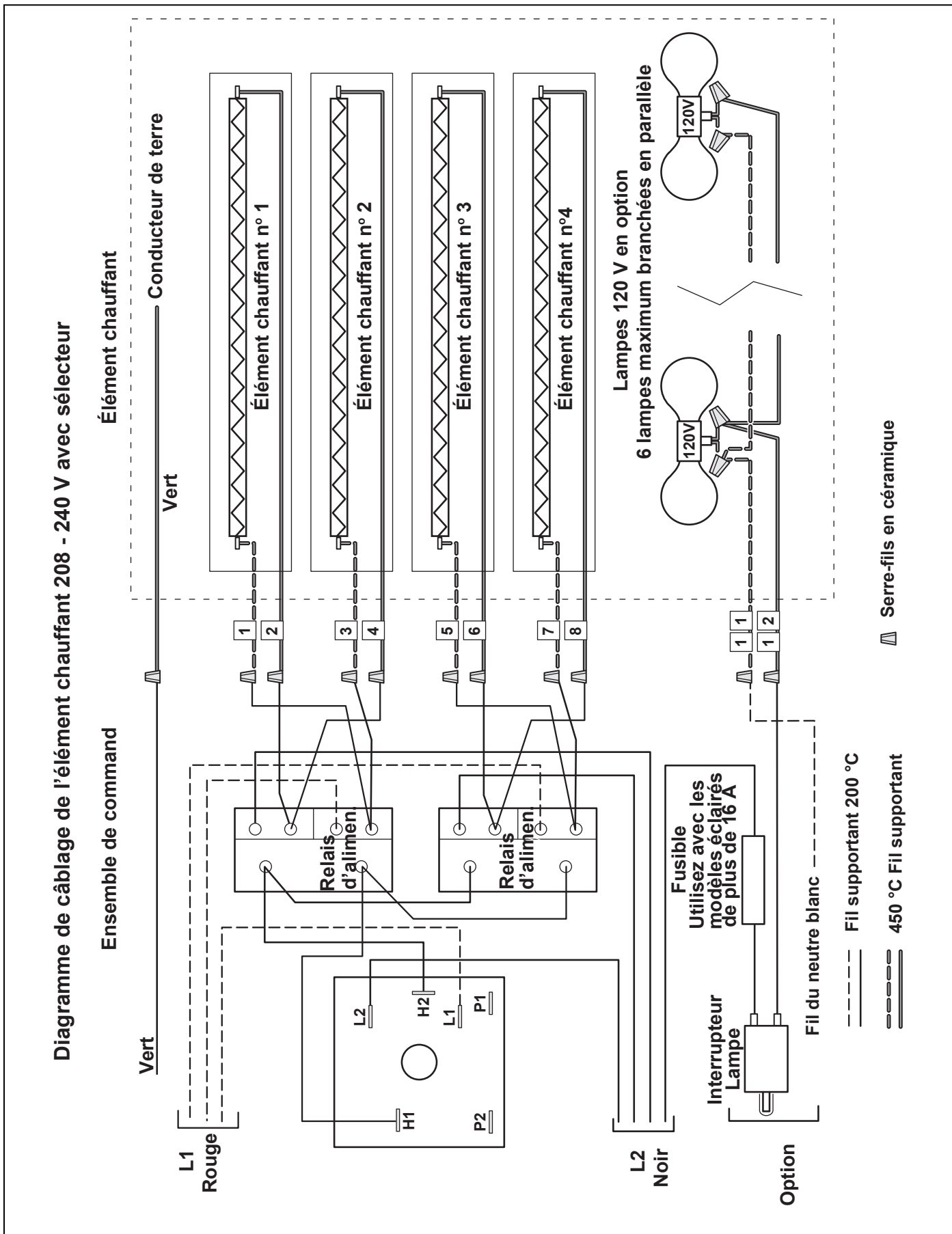
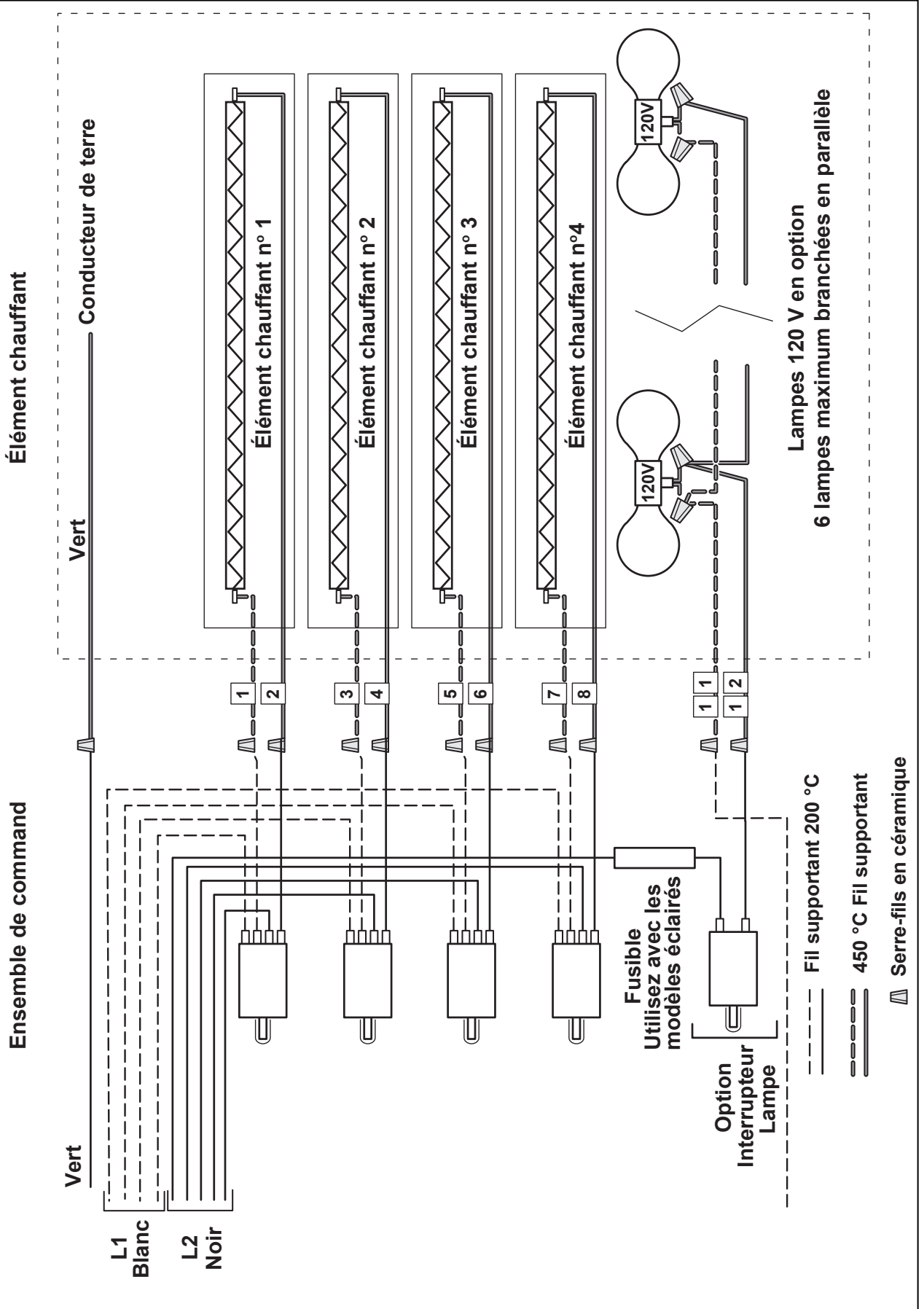


Diagramme de câblage de l'élément chauffant 208 - 240 V avec interrupteur à bascule



SAV ET RÉPARATIONS

Cet appareil ne contient aucune pièce réparable par l'utilisateur. Pour éviter toute blessure grave ou tout dommage sévère, n'essayez jamais de réparer l'appareil ou de remplacer vous-même un cordon d'alimentation endommagé. N'envoyez aucun appareil directement à la Vollrath Company. Contactez le service de réparation professionnel qualifié indiqué ci-dessous.

Service technique Vollrath • 1-920-457-4851 • Courriel : techservicereps@vollrathco.com

Lorsque vous contacterez le service de réparation professionnel, tenez-vous prêt à fournir le numéro d'article, le numéro de modèle (s'il y a lieu), le numéro de série et le justificatif d'achat indiquant la date d'achat de l'appareil.

GARANTIE DE LA VOLLRATH Co. L.L.C.

Cette garantie ne s'applique pas aux produits achetés pour un usage personnel, familial ou ménager, et la Vollrath Company LLC ne propose aucune garantie écrite aux acheteurs pour de telles utilisations.

La Vollrath Company LLC garantit chacun de ses produits ci-dessous contre les vices de matériaux et les malfaçons pendant la période applicable indiquée ci-après. Tous les autres produits fabriqués ou distribués par la Vollrath Company LLC sont garantis contre les vices de matériaux et les malfaçons pendant une période d'un an. Dans tous les cas, la garantie entre en vigueur à la date d'achat par l'utilisateur initial indiquée sur le reçu. Tous les dommages subis lors d'une utilisation impropre ou abusive, ou résultant d'une modification ou d'un emballage inadapté lors d'un renvoi du produit pour une réparation sous garantie ne seront pas couverts par la garantie.

- Rampes chauffantes Cayenne®, élément chauffant seulement – La période de garantie est de 2 ans.
- Pour les compresseurs de réfrigération et la seconde année de garantie sur les rampes chauffantes Cayenne® et les mélangeurs, la Vollrath Company LLC fournira uniquement la pièce ; et l'acheteur sera responsable de tous les frais de main-d'œuvre encourus pour l'exécution de la réparation ou du remplacement.
- Pièces détachées – La période de garantie est de 90 jours.
- Le verre, la vitre du pare-haleine et les ampoules ne sont pas couverts par la garantie

Pour des informations complètes sur la garantie, l'enregistrement des produits et l'annonce de nouveaux produits, consultez www.vollrath.com.



www.vollrath.com

The Vollrath Company, L.L.C.
1236 North 18th Street
Sheboygan, WI 53081-3201
U.S.A.

Main Tel: 800.628.0830
Fax: 800.752.5620

Technical Services: 800.628.0832
Service Fax: 920.459.5462

Canada Service: 800.695.8560

© 2014 The Vollrath Company, L.L.C.