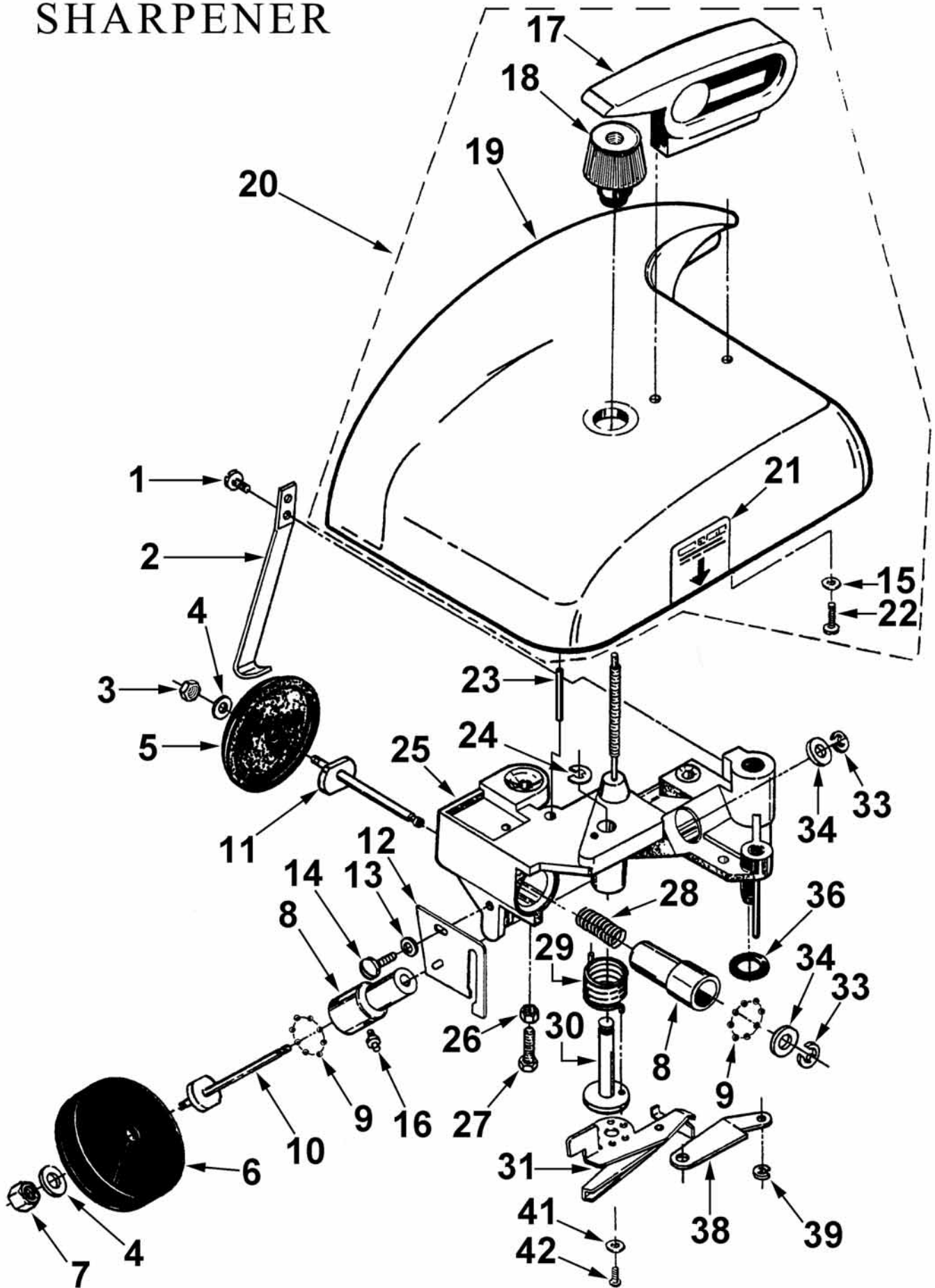


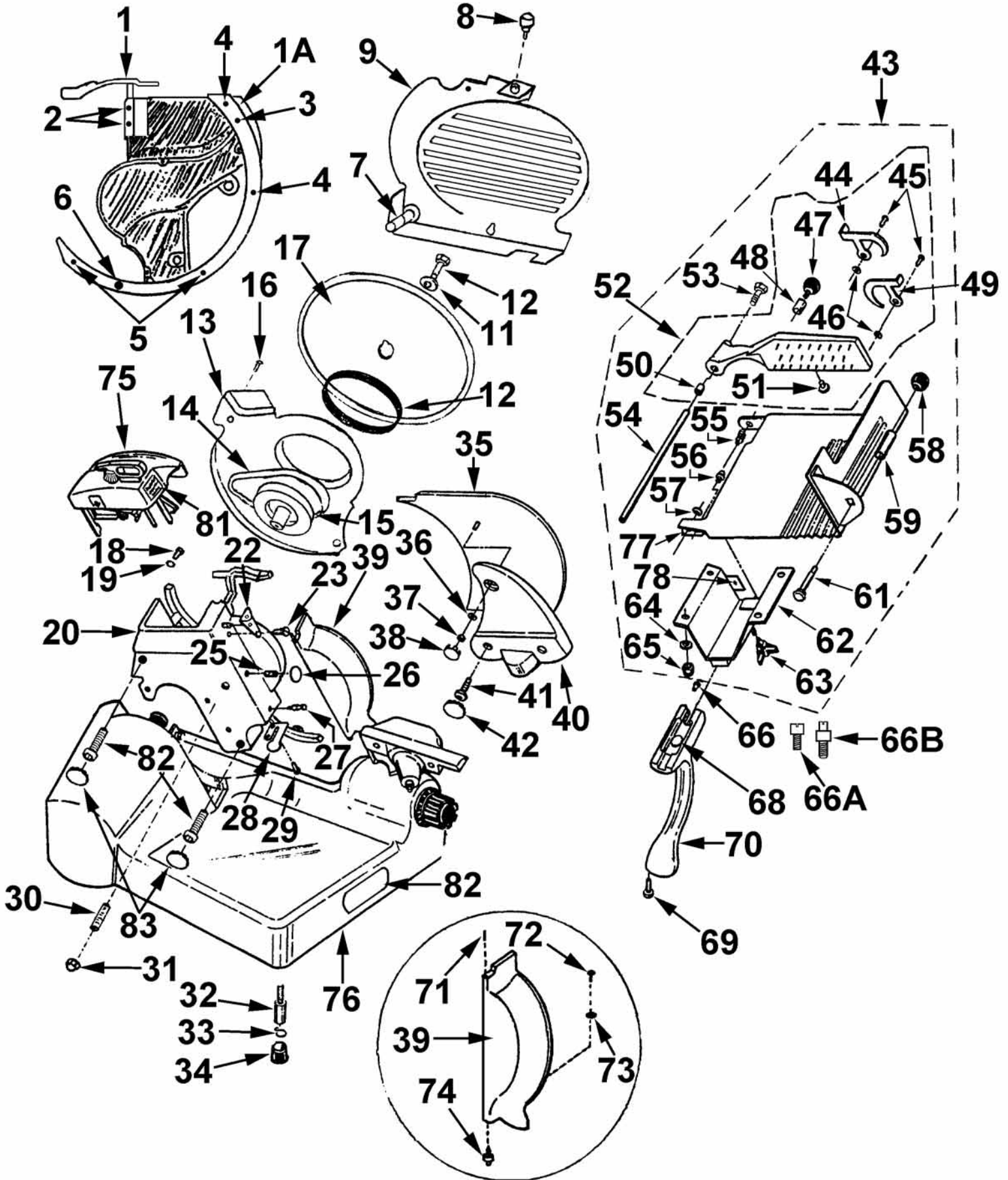
# SHARPENER



## Sharpener Assembly Parts List

| Item  | Description                                    | Part Number |
|---|--|-------------|
|   |  |             |
| N/S   | sharpener assy. w/o cover                      | 4675-00851  |
|   | sharpener assy. w/ cover assy. no upper guard  | 4675-00853  |
|   | **sharpener assy. w/ cover assy. & upper guard | 4975-00409  |
| 1   | screw  | 2175-00382  |
| 2   | stop clip                                      | 3475-00792  |
| 3   | nut  | 2175-00387  |
| 4   | washer   | 2275-03040  |
| 5   | inside stone (deburring)                       | 3675-00075  |
| 6   | outside stone (sharpening)                     | 3675-00076  |
| 7   | nut (LH)                                       | 2175-00388  |
| 8   | spindle bearing                                | 3375-01123  |
| 9   | ball   | 2375-00150  |
| 10  | outside spindle (sharpening)                   | 3375-01119  |
| 11  | inside spindle ( deburring)                    | 3375-01118  |
| 12  | adjusting plate                                | 3475-00789  |
| 13  | washer   | 2275-03040  |
| 14  | screw  | 2175-00384  |
| 15  | washer   | 2275-01037  |
| 16  | link screw                                     | 3375-01121  |
| 17  | handle w/ decal                                | 4575-00832  |
| 18  | knob, alum (lockdown nut)                      | 3375-01101  |
| 19  | cover only                                     | 3775-00389  |
|   | **cover only with upper guard                  | 4975-00407  |
| 20  | cover assy.                                    | 4675-00852  |
|   | **cover assy. with upper guard                 | 4975-00408  |
| 21  | arrow decal                                    | 3175-00028  |
| 22  | screw  | 2175-00397  |
| 23  | groove pin                                     | 2275-00220  |
| 24  | retaining ring                                 | 2275-00445  |
| 25  | sharpener frame                                | 3675-00236  |
| 26  | nut  | 2175-00386  |
| 27  | bolt   | 2175-00385  |
| 28  | spring   | 3275-00210  |
| 29  | spring   | 3275-00212  |
| 30  | spindle  | 3375-01120  |
| 31  | lever assy. w/ spring                          | 4375-00200  |
| 33  | retaining ring                                 | 2275-00444  |
| 34  | washer   | 2275-00451  |
| 36  | washer (rubber)                                | 3275-00042  |
| 38  | link   | 3475-00791  |
| 39  | retaining ring                                 | 2275-00443  |
| 41  | washer   | 2275-00441  |
| 42  | screw  | 2175-00382  |
| N/S   | sharpener maint. kit                           | 4975-00375  |
| ** kit to upgrade to 909/1 & 919/1 "T" shaped upper knife guard |  |             |

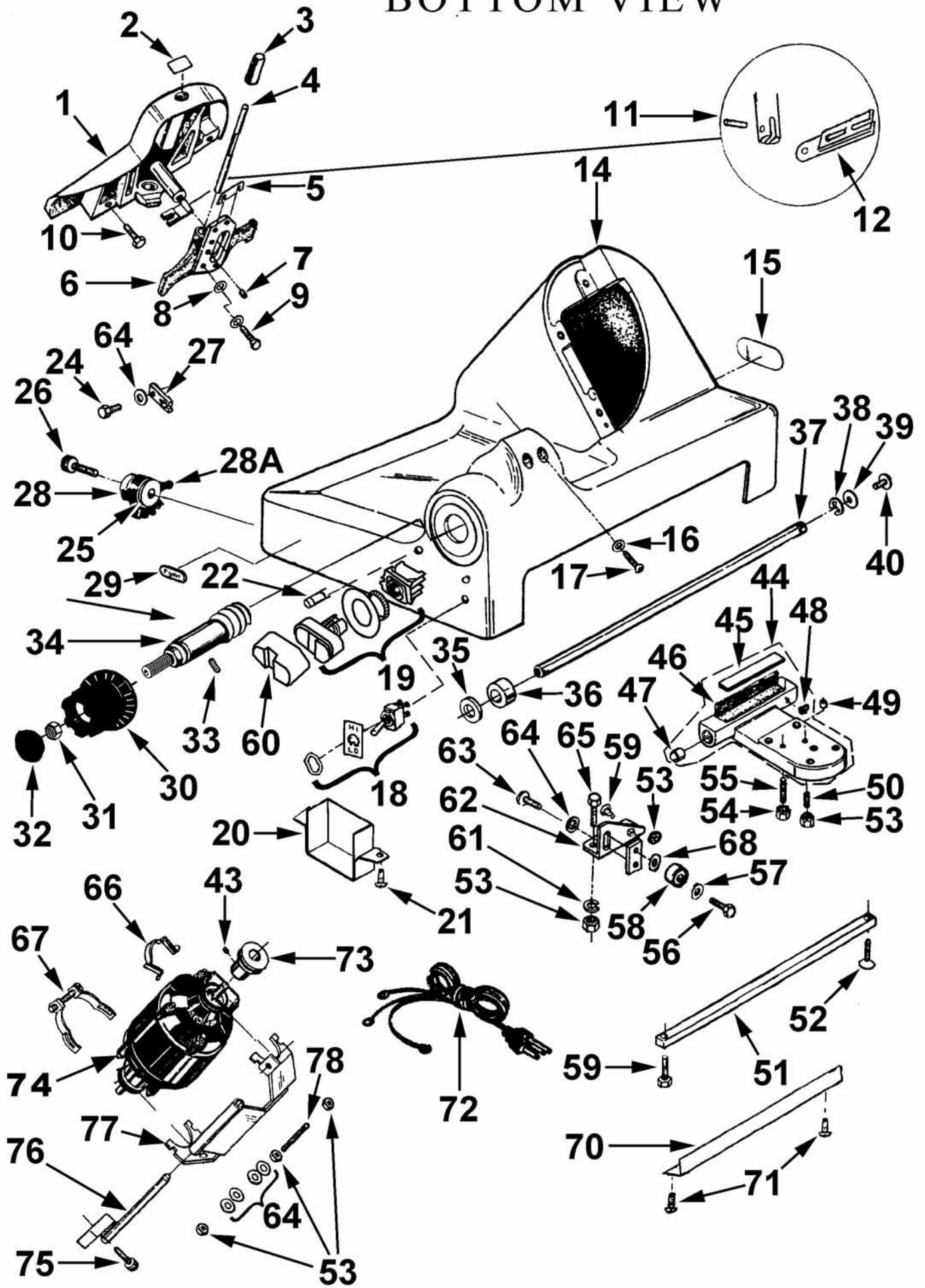
# TOP VIEW



TOP VIEW

| Item | Description                    | Part Number | Item | Description                       | Part Number |
|------|--------------------------------|-------------|------|-----------------------------------|-------------|
| 1    | upper guard(909/1 "T" shaped)  | 3775-00442  | 42   | hole cover (small)                | 3675-00072  |
|      | upper guard (909 "L" shaped)   | 3775-00443  | 43   | product table complete            | 4675-00915  |
|      | screw, adjustment (not shown)  | 2175-03320  |      | table complete w/ ergo handle     | 4675-00916  |
| 1A   | lower guard                    | 3775-00441  | 44   | hook (LH)                         | 3475-00164  |
|      | lower guard, assy. (1, 3 & 6)  | 4575-00831  | 45   | screw                             | 3375-00333  |
| 2    | screw, tamper proof            | 2175-00374  | 46   | spring washer                     | 3275-00043  |
| 3    | pin center plate               | 3375-01077  | 47   | knob                              | 2275-00043  |
| 4    | pad upper, old style only      | 3875-00140  | 48   | spacer                            | 3375-00244  |
| 5    | pad lower, old style only      | 3875-00139  | N/S  | handle, pusher 2lbs.              | 3375-01065  |
| 6    | post center plate              | 3375-01073  |      | set screw, 3/8-16 X 3/4 for above | 2175-07175  |
| 7    | magnet assy.                   | 4175-00436  | 49   | hook (RH)                         | 3475-00163  |
| 8    | plunger center plate, assy.    | 2375-00139  | 50   | bushing                           | 2275-00045  |
| 9    | center plate assy. (w/ 7 & 8)  | 4675-00823  | 51   | pad, wear                         | 3875-00123  |
| 10   | knife bolt, 7/16-20 X 5/8      | 3375-01072  | 52   | pusher assy. Complete             | 4675-00662  |
| 11   | knife washer                   | 3475-00781  | 53   | truss head screw                  | 2175-03452  |
| 12   | cover ring                     | 3875-00025  | 54   | shaft                             | 3375-00242  |
| 13   | knife box cover                | 3475-00765  | 55   | compression spring                | 3275-00029  |
| 14   | knife belt (flat, 60 Hz)       | 2375-00141  | 56   | lock pin (plastic, push on)       | 3875-00022  |
|      | knife belt (flat, 50 Hz)       | 3375-00142  |      | guide, pusher (metal screw on)    | 3375-01149  |
| 15   | knife pulley bearing assy.     | 4375-00192  |      | screw for above                   | 2175-03441  |
| 16   | screw knife box cover          | 2175-03452  |      | washer, for above                 | 3275-00111  |
| 17   | knife, SS                      | 3675-00070  | 57   | s/s washer                        | 2275-00438  |
|      | knife, Silver Standard         | 3675-00275  | 58   | knob                              | 2275-00042  |
| 18   | knife box bolts                | 2175-03063  | N/S  | ergonomic handle                  | 3875-00148  |
| 19   | knife box washers              | 2275-03065  | N/S  | ergonomic handle bracket          | 3475-00811  |
| 20   | knife box assy.                | 4675-00856  | N/S  | screw, drive in for bracket above | 2275-00066  |
| 21   | pin upper hinge                | 2275-01122  | N/S  | ergonomic handle & bracket        | 4575-00836  |
| 22   | upper hinge                    | 3475-00156  | N/S  | ergonomic handle kit              | 4975-00360  |
| 23   | screw upper hinge              | 2175-03641  | 59   | spacer                            | 3375-00243  |
| 25   | set screw                      | 2175-07152  | 60   | product table                     | 4575-00847  |
| 26   | cover plate                    | 3475-00162  |      | product table for ergo handle     | 4575-00848  |
| 27   | pin                            | 3375-00291  | 61   | bolt 3/8 x 1/2                    | 2175-03277  |
| 28   | lower hinge                    | 3475-00363  | 62   | bracket, w/ storage pin           | 4675-00962  |
| 29   | screw #10 x 3/8                | 2175-03441  | 63   | knob                              | 2275-00063  |
| 30   | setscrew                       | 2175-05154  | 64   | washer                            | 2275-03050  |
| 31   | acorn nut                      | 2175-07052  | 65   | cap nut                           | 2175-07052  |
| 32   | shoe post 909                  | 4575-00208  | 66   | plug (old style)                  | 3375-00309  |
|      | shoe post 919                  | 4575-00117  |      | setscrew (old style)              | 2175-05143  |
|      | 4" shoe post 909               | 4575-00307  | 66A  | pin, table adjustment             | 3375-01182  |
|      | 4" shoe post 919               | 4575-00178  | 66B  | pin, table adjustment             | 3375-01147  |
|      | 4" set of 4 posts 909          | 4975-00024  | 68   | plug                              | 3475-00080  |
|      | 4" set of 4 posts 919          | 4975-00025  | 69   | screw socket HD                   | 2175-01765  |
|      | lift kit shoe post             | 4575-00823  | 70   | support arm                       | 4975-00371  |
| 33   | foot post hook                 | 3275-00059  | 71   | upper pin                         | 2275-00065  |
| 34   | shoe rubber                    | 3675-00061  | 72   | rivot                             | 2275-00066  |
| 35   | gauge plate                    | 4575-00808  | 73   | washer                            | 2275-03020  |
| N/S  | gauge plate assembly           | 4675-00822  | 74   | lower pin                         | 3375-00311  |
| 36   | washer 1/4                     | 2275-03050  | 75   | sharpener w/ cover & guard        | 4975-00409  |
| 37   | nut 1/4                        | 2175-05051  | 76   | base                              | 3775-00365  |
| 38   | hole cover (large)             | 3675-00071  | 77   | bracket pusher                    | 3475-00132  |
| 39   | slice deflector, gray plastic  | 3875-00138  | 78   | clip lock pin (old style)         | 2175-00435  |
|      | slice deflector, black plastic | 3875-00134  | 79   | pin, pusher storage               | 2175-00435  |
|      | thumb screws for above         | 2275-00221  | 80   | bracket knob                      | 3475-00133  |
| 40   | gauge plate support            | 3775-00147  | N/S  | ergonomic handle bracket          | 3475-00811  |
| 41   | screw 5/16 x 1                 | 2175-01764  | 81   | instruction label 919             | 3175-00572  |
|      |                                |             | 82   | logo, Berkel                      | 3175-00152  |

# BOTTOM VIEW

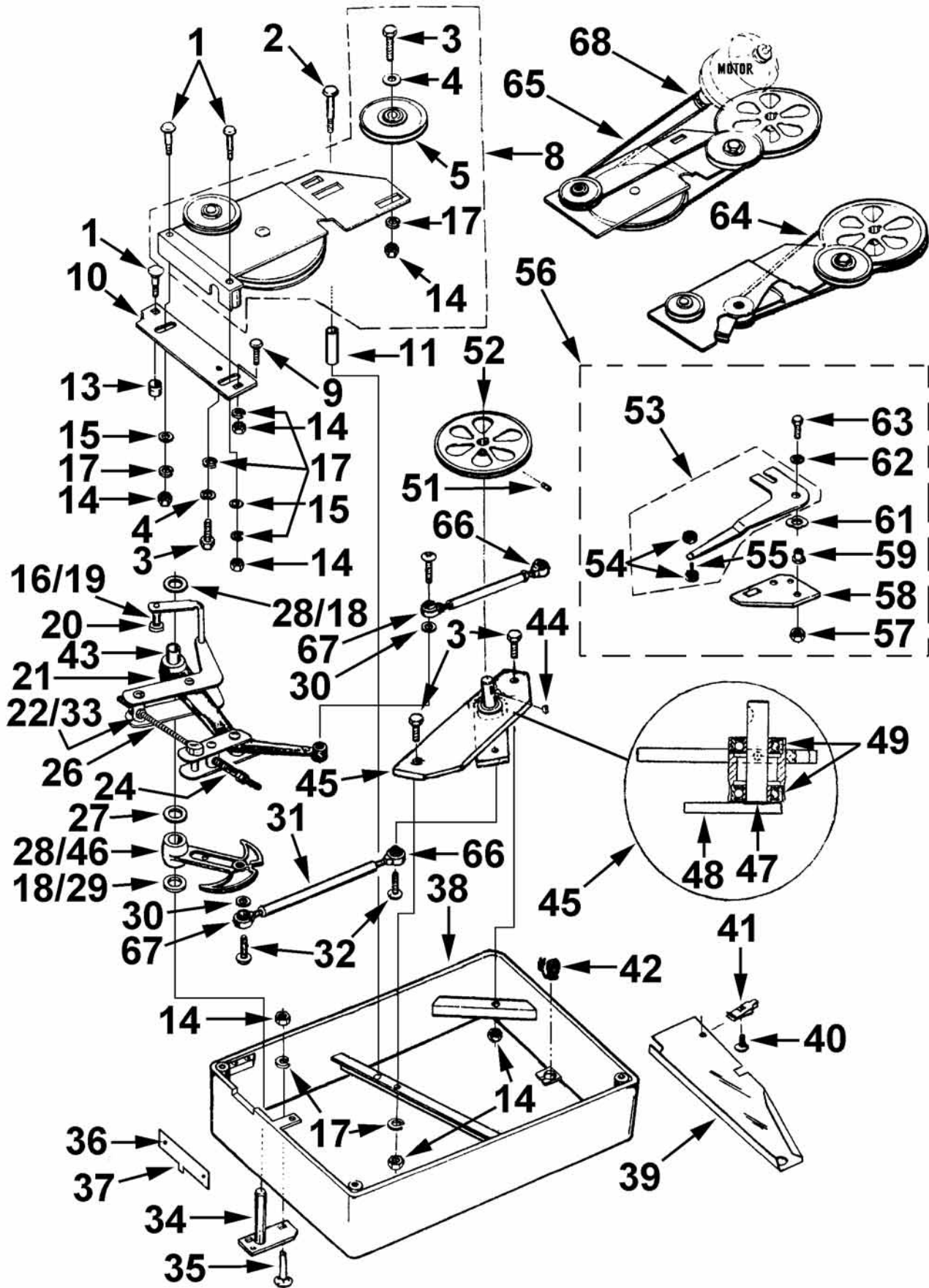


## BOTTOM VIEW

| Item             | Description                    | Part Number |
|------------------|--------------------------------|-------------|
| 1                | gauge plate support            | 4675-00821  |
| 2                | slide rod plate                | 3475-00162  |
| 3                | bushing                        | 2275-00058  |
| 4                | slide rod                      | 3375-00296  |
| 5                | shim                           | 3275-00044  |
| 6                | base gauge plate               | 3775-00146  |
| 7                | set screw                      | 2175-05155  |
| 8                | lock washer                    | 2275-03050  |
| 9                | screw 1/4 x 1-1/4              | 2175-01054  |
| 10               | screw 1/4 x 1                  | 2175-00097  |
| 11               | pin                            | 2275-01131  |
| 12               | index link                     | 4575-00101  |
| 13               | housing                        | 3775-00365  |
| 14               | instruction label              | 3175-00543  |
| 15               | name plate                     | 3175-00152  |
| 16               | washer                         | 2275-03050  |
| 17               | screw 1/4-20 x 1-1/4           | 2175-03858  |
| 18               | toggle switch assy., DPTT      | 2675-00680  |
| 19               | pushbutton (oval)              | 2675-00801  |
|                  | shim (lg. Washer)              | 09175-30    |
|                  | ring, mounting (lg. Nut)       | 2175-00434  |
|                  | latch/contact block (oval)     | 2675-00800  |
|                  | pushbutton kit (4 items above) | 4975-00404  |
|                  | pushbutton & boot (oval)       | 4175-00575  |
|                  | boot (oval)                    | 3675-00259  |
|                  | pushbutton (rectangle)         | 2675-00653  |
|                  | base/contact block (rectangle) | 2675-00665  |
| boot (rectangle) | 3675-00232                     |             |
| 20               | switch box cover               | 3875-00137  |
| 21               | switch box cover screw         | 2175-00375  |
| 22               | pilot light                    | 2675-00669  |
| 23               | lock washer 5/16               | 2275-01055  |
| 24               | bolt 5/16 x 1/2                | 2175-01060  |
| 25               | bushing                        | 3375-01070  |
| 26               | screw 3/8 x 1-1/4              | 2175-01775  |
| 27               | clamp, index link              | 3375-00298  |
| 28               | gear segment assy.             | 4375-00196  |
|                  | gear segment, 25 & 28          | 4975-09280  |
| 28A              | gear segment pin               | 3375-01102  |
| 29               | name plate                     | 3175-00152  |
| 30               | index knob                     | 3875-00151  |
|                  | index knob kit, 30 & 32        | 4975-09506  |
| 31               | nut 1/2"                       | 2175-00121  |
| 32               | plug 1-1/4                     | 2275-00414  |
| 33               | setscrew                       | 2175-05163  |
| 34               | worm gear assembly             | 4675-00336  |
| 35               | rubber washer                  | 3275-00045  |
| 36               | rubber bumper                  | 3275-00046  |
| 37               | round rail                     | 3375-00091  |

| Item | Description                       | Part Number |
|------|-----------------------------------|-------------|
| 38   | snap ring                         | 2275-00092  |
| 39   | washer                            | 3275-00047  |
| 40   | screw #10 x 1/2                   | 2175-03442  |
| 41   | spring                            | 3275-00061  |
| 42   | spring hook                       | 3275-00060  |
| 43   | setscrew                          | 2175-05152  |
| 44   | carriage assembly                 | 4675-00473  |
| 45   | carriage cover                    | 3475-00169  |
| 46   | oil wick                          | 3275-00035  |
| 47   | bushing 7/8                       | 2275-00053  |
| 48   | oil hole cover                    | 2475-00003  |
| 49   | plug                              | 3375-00336  |
| 50   | setscrew                          | 2175-00381  |
| 51   | rail, square                      | 3375-00305  |
| 52   | flat HD screw 4/15 x 1-1/4        | 2175-01665  |
| 53   | nut 5/16                          | 2175-05060  |
| 54   | nut, locking #10                  | 2175-00107  |
| 55   | setscrew FP #10 (adjustment)      | 2175-00106  |
| 57   | washer                            | 2275-00091  |
| 58   | roller bearing assembly           | 4375-00031  |
| 59   | bolt 5/16 x 1-1/4                 | 2175-01065  |
| 60   | switch boot (rectangle)           | 3675-00232  |
|      | switch boot (oval)                | 3675-00259  |
| 61   | lockwasher                        | 2275-03065  |
| 62   | bracket                           | 3375-00304  |
| 63   | screw 5/16 x 1/2                  | 2175-01862  |
| 64   | flat washer 5/16                  | 2275-01061  |
| 65   | bolt 5/16 x 7/8                   | 2175-03063  |
| 66   | motor clip                        | 3275-00039  |
| 67   | motor clamp                       | 2275-00087  |
| 68   | washer                            | 3375-00131  |
| 69   | roller adjusting bracket          | 3375-00306  |
| 70   | cord cover                        | 3475-00702  |
| 71   | screw (self tapping)              | 2175-00105  |
| 72   | power cord NEMA-5-15P             | 4175-00031  |
|      | retractable power cord            | 4175-00582  |
| 73   | motor pulley, 60Hz                | 3375-01099  |
|      | motor pulley, 50Hz                | 3375-01100  |
| N/S  | fan                               | 2375-00137  |
| N/S  | cover for fan                     | 3875-00146  |
| 74   | motor 115V (kit, 1/3 to 1/2 H.P.) | 4975-00386  |
|      | 1/2 hp motor (only)115V           | 4175-00511  |
|      | motor 220V 50Hz                   | 4175-00431  |
| 75   | bolt                              | 2175-01760  |
| 76   | pivot assembly motor              | 4575-00097  |
| 77   | motor mount                       | 4575-00805  |
| 78   | thread rod                        | 2175-00378  |
| N/S  | switch, motor starting            | 4975-00349  |

# POWERSTROKE



## POWER STROKE

| Item | Description                  | Part Number |
|------|------------------------------|-------------|
| N/S  | Power Stroke Complete        | 4975-00368  |
| 1    | bolt 5/16 x 2                | 2175-01267  |
| 2    | bolt 5/16 x 3-1/2            | 2175-01270  |
| 3    | bolt 5/16 x 1-1/2            | 2175-01065  |
| 4    | washer                       | 2275-01061  |
| 5    | idler pulley                 | 4375-00137  |
| 8    | pulley & pulley assembly     | 4675-00811  |
| 9    | bolt 5/16 x 3/4              | 2175-03062  |
| 10   | bracket                      | 3475-00324  |
| 11   | spacer                       | 3375-01088  |
| 13   | spacer                       | 3375-00223  |
| 14   | nut 5/16                     | 2175-05060  |
| 15   | washer 5/16 flat             | 2275-01060  |
| 16   | roller                       | 3275-00024  |
| 17   | lockwasher 5/16              | 2275-03065  |
| 18   | washer 1/2" hole             | 3275-00018  |
| 19   | bushing                      | 3275-00023  |
| 20   | rivet                        | 2275-00029  |
| 21   | drive arm assembly           | 4375-00188  |
| 22   | nut #10                      | 2175-05040  |
| 24   | spring                       | 3275-00084  |
| 26   | control rod                  | 3375-00227  |
| 27   | washer, plastic, 7/8" hole   | 3275-00032  |
| 28   | arm, w/ 46                   | 4375-00193  |
| 29   | shim, plastic 1/2" hole      | 3275-00128  |
| 30   | washer                       | 2275-00028  |
| 31   | rod & brg assy. (long)       | 4375-00197  |
| 32   | screw 5/16 x 7/8"            | 2175-01863  |
| 33   | shim                         | 09664-60    |
| 34   | plate & shaft                | 4575-00075  |
| 35   | bolt 5/16 x 1-1/4            | 2175-01264  |
| 36   | drive screw                  | 2175-00424  |
| 37   | shift plate assy             | 4575-00866  |
|      | stroke plate, part of 37     | 3175-00571  |
|      | shift plate, part of 37      | 3475-00835  |
| 38   | auto base                    | 3775-00366  |
| 39   | shield                       | 3475-00783  |
| N/S  | cover for fan if so equipped | 3875-00146  |
| 40   | screw                        | 2175-03442  |

| Item  | Description                     | Part Number |
|---|---------------------------------|-------------|
| 41  | speed nut                       | 2275-00123  |
| 42  | strain relief                   | 2675-00562  |
| 43  | bushing                         | 2275-00021  |
| 44  | key                             | 3275-00006  |
| 45  | crank assy. (complete)          | 4375-00191  |
| 46  | bushing (arm)                   | 2275-00022  |
| 47  | washer                          | 3275-00010  |
| 48  | crank assembly                  | 4375-00189  |
| 49  | ball bearing                    | 2375-00010  |
| 50  | rod & brg. Assy. (short)        | 4675-00840  |
| 51  | set screw 1/4 x 5/16            | 2175-05152  |
| 52  | pulley                          | 3775-00373  |
| 53  | shift lever assy. (complete)    | 4575-00865  |
| 54  | knob (sold each, need 2)        | 3875-00026  |
| 55  | pin                             | 2275-00051  |
| 56  | shift lever & bracket assy.     | 4675-00925  |
| 57  | nut 1/4"                        | 2175-00265  |
| 58  | bracket                         | 3575-00063  |
| 59  | spacer                          | 3375-01151  |
| 61  | spring washer 7/16"             | 3275-00025  |
| 62  | washer                          | 2275-00408  |
| 63  | bolt 1/4"                       | 2175-00210  |
| 64  | belt poly V4                    | 2375-00138  |
| 65  | belt, round                     | 2375-00133  |
| 66  | bearing assy. L/H               | 2375-00144  |
| 67  | bearing assy. R/H               | 2375-00143  |
| 68  | motor pulley auto drive, 60Hz   | 3375-01083  |
|   | motor pulley auto drive, 50Hz   | 3375-01084  |
|   | motor pulley auto drive, FS     | 3375-01222  |
| <b>parts for shift lever with detent system</b> |                                 |             |
| 53  | shift lever assy. (complete)    | 4575-00314  |
| N/S   | detent plate                    | 3475-00782  |
|   | plunger assembly                | 2375-00030  |
|   | nut                             | 2175-05071  |
| 37  | indicator plate                 | 3175-00571  |
| N/S   | spacer, long (for control rod)  | 3375-00438  |
|   | spacer, short (for control rod) | 3375-00439  |

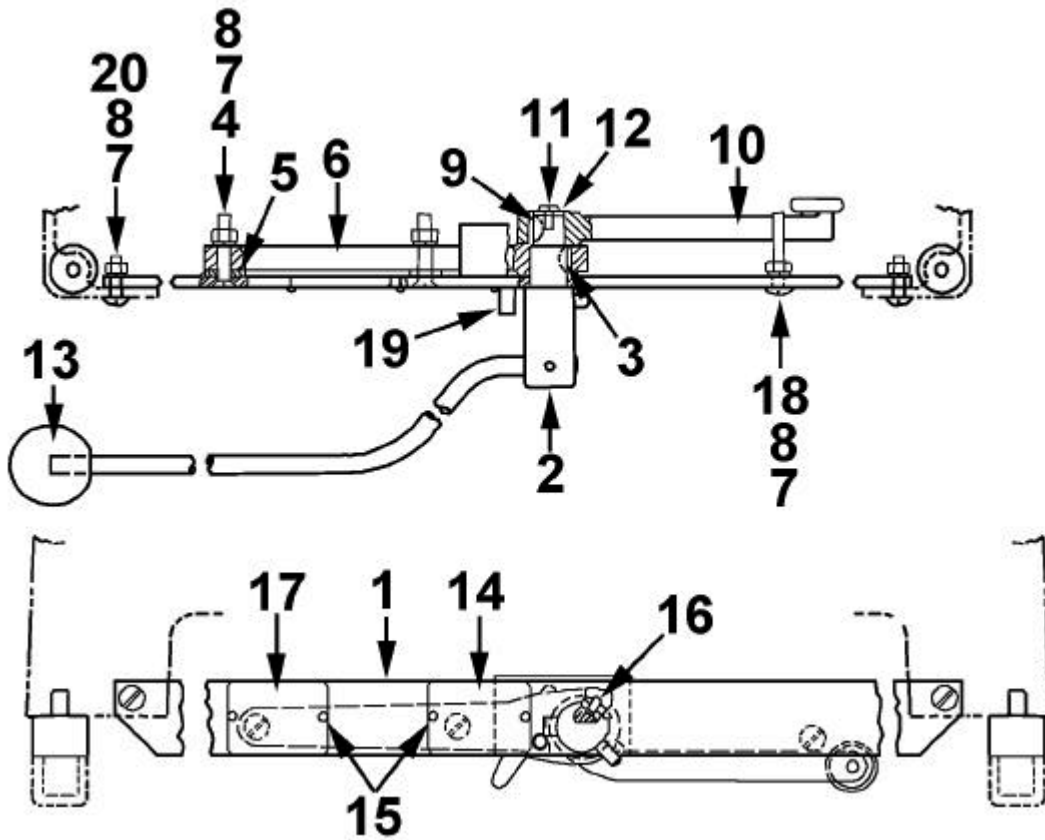
## 909/919 Electrical

| Item | Description                   | Part Number |
|------|-------------------------------|-------------|
| 1    | speed selector switch         | 2675-00680  |
| 2    | speed switch cord assembly    | 4175-00433  |
| 3    | motor overload wire           | 2675-00660  |
| 4    | motor common wire             | 2675-00661  |
| 5    | motor ground wire             | 2675-00666  |
| 6    | power cord assembly           | 4175-00031  |
| 7    | proximity switch              | 4175-00437  |
| 8    | control cord assembly         | 4175-00505  |
| 9    | relay socket assembly         | 4975-00383  |
| 10   | pilot light                   | 2675-00669  |
| 11   | pilot light wire              | 2675-00670  |
| 12   | power switch jumper           | 2675-00662  |
| 13   | pushbutton contact block      | 2675-00800  |
| 14   | spacer, hex #8 - 32x7/8"      | 2275-00448  |
| 15   | lock washer, #8               | 2275-01037  |
| 16   | screw #8 - 32x3/8"            | 2175-03431  |
| 17   | screw #6x1/2"                 | 2175-01322  |
| 18   | nut, hex #6                   | 2175-05020  |
| 19   | relay socket bracket          | 3675-00228  |
| 20   | relay 115VAC                  | 2675-00753  |
|      | relay 220VAC                  | 2675-00657  |
| 21   | terminal block cover          | 3675-00229  |
| N/S  | schematic decal               | 3175-00579  |
| 23   | motor start switch            | 4975-00349  |
| 24   | relay sock.cov.w/schem. Decal | 3675-00229  |
| N/S  | mercury switch                | 2675-00646  |

# 909 Lift Assembly

4975-00348

| Item | Description     | Part Number | Item | Description       | Part Number |
|------|-----------------|-------------|------|-------------------|-------------|
| 1    | ratchet bracket | 4575-00824  | 11   | screw             | 2175-03341  |
| 2    | handle assy.    | 4575-00825  | 12   | shim              | 9405-30     |
| 3    | key             | 10308       | 13   | knob              | 2275-00042  |
| 4    | screw           | 2175-03657  | 14   | lever plate       | 3175-00613  |
| 5    | spacer          | 2275-00437  | 15   | drive screw       | 2175-00257  |
| 6    | ratchet         | 2375-00145  | 16   | set screw         | 2175-05143  |
| 7    | lock washer     | 2275-03055  | 17   | instruction plate | 3175-00618  |
| 8    | hex nut         | 2175-07050  | 18   | screw             | 2175-03457  |
| 9    | key             | 3275-00006  | 19   | handle stop pin   | 3375-01197  |
| 10   | lift arm assy.  | 4375-00199  |      |                   |             |



# 919 Lift Assembly

4975-00350

| Item | Description    | Part Number | Item | Description       | Part Number |
|------|----------------|-------------|------|-------------------|-------------|
| 1    | ratchet cover  | 3475-00787  | 11   | screw             | 2175-03341  |
| 2    | handle assy.   | 4575-00826  | 12   | shim              | 9405-30     |
| 3    | key            | 10308       | 13   | knob              | 2275-00042  |
| 4    | screw          | 2175-03457  | 14   | lever plate       | 3175-00613  |
| 5    | spacer         | 2275-00439  | 15   | drive screw       | 2175-00257  |
| 6    | ratchet        | 2375-00145  | 16   | set screw         | 2175-05143  |
| 7    | lock washer    | 2275-03055  | 17   | instruction plate | 3175-00618  |
| 8    | hex nut        | 2175-07050  | 18   |                   |             |
| 9    | key            | 3275-00006  | 19   |                   |             |
| 10   | lift arm assy. | 4375-00198  | 20   | screw             | 2175-03455  |

