

VULCAN

CATALOG OF REPLACEMENT PARTS

C24EA SERIES STEAMER

3-PAN BASIC

ML-136043 208/240 V. 8.5kW
ML-136045 480 V. 8.5kW

3-PAN PRO

ML-136037 208/240 V. 9.25kW
ML-136044 480 V. 9.25kW

5-PAN BASIC

ML-136046 208/240 V. 15kW
ML-136048 480 V. 15kW

5-PAN PRO

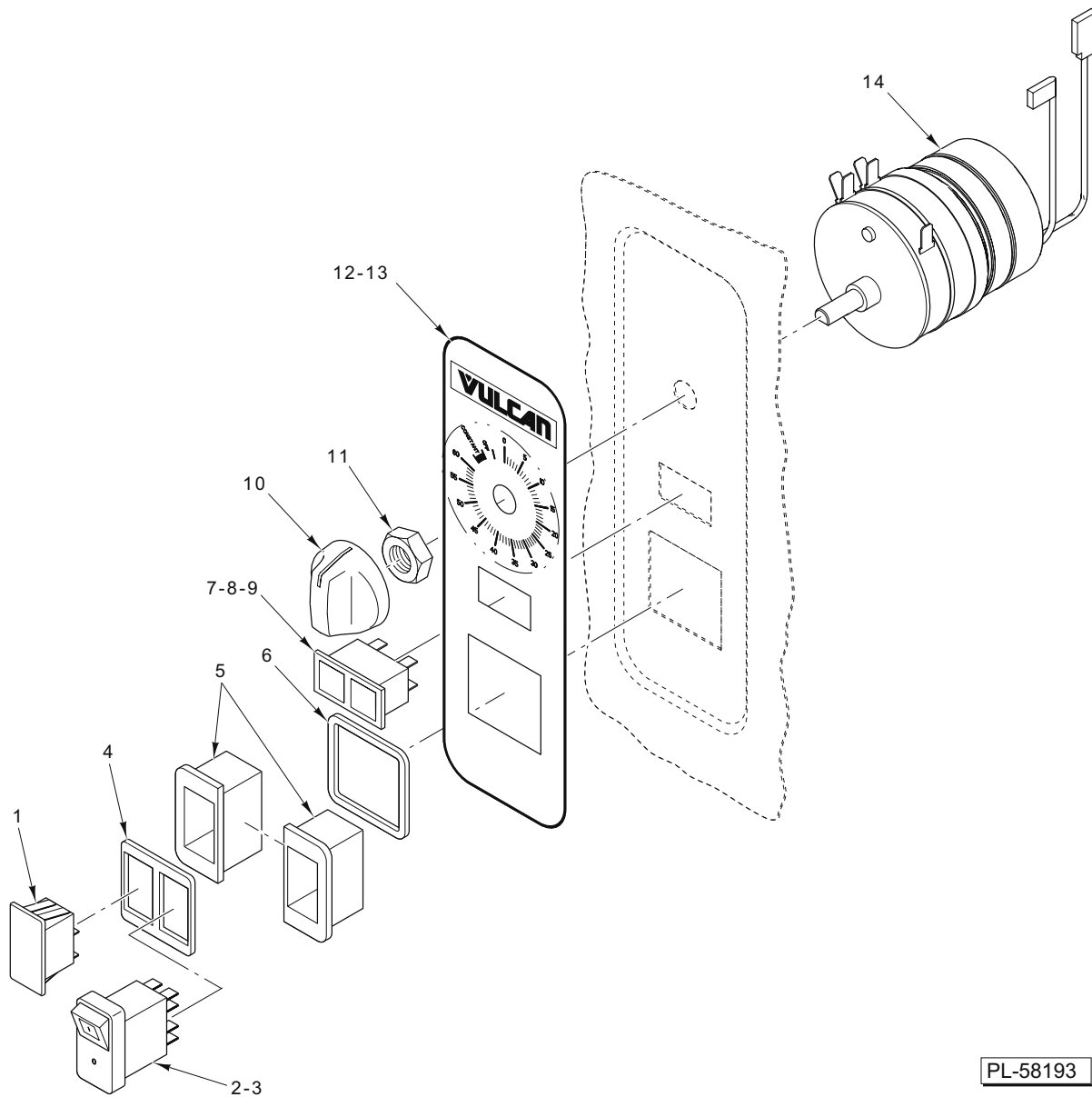
ML-136038 208/240 V. 15.75kW
ML-136047 480 V. 15.75kW



For additional information on Vulcan-Hart or to locate an authorized parts and service provider in your area, visit our website at www.vulcanhart.com

TABLE OF CONTENTS

5	CONTROLS
7	ELECTRICAL COMPONENTS
9	CABINET
11	DOOR
13	COMPARTMENT
15	GENERATOR (3-PAN)
17	GENERATOR (5-PAN)
19	WATER LEVEL PROBE
21	CABINET VALVE
22	GENERATOR DRAIN (BASIC)
23	GENERATOR DRAIN (PRO)
24	COMPARTMENT VACUUM BREAKER

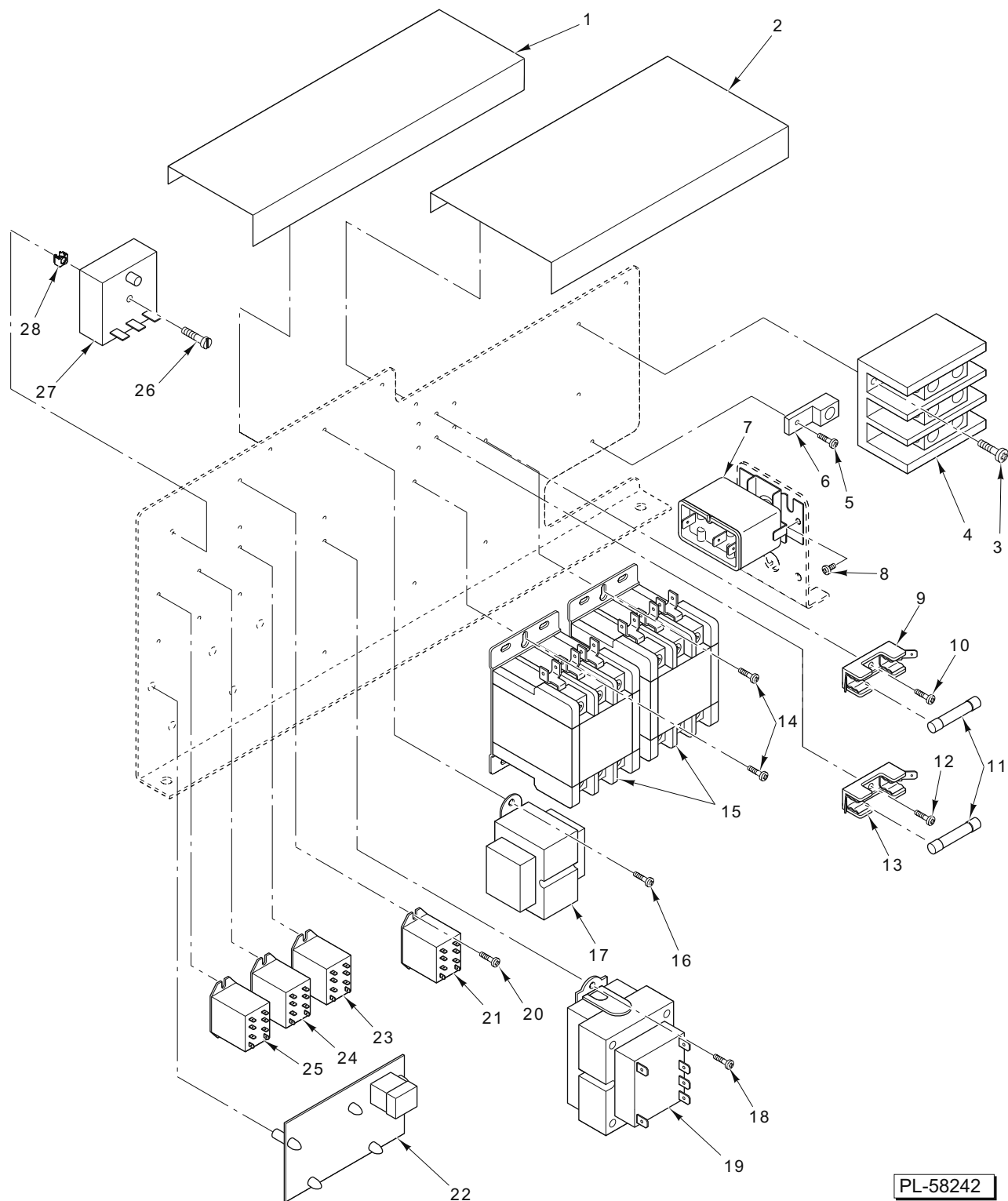


PL-58193

CONTROLS

CONTROLS

ILLUS.	PART NO.	NAME OF PART	AMT.
PL-58193			
1	00-854330-00001	Plug – Switch Hole.....	1
2	00-855677-00001	Switch – On/Off (Lighted) (Pro).....	1
3	00-856754-00001	Power Light (Basic) (Not Shown).....	1
4	00-855795-00001	Gasket – Switch.....	1
5	00-855794-00001	Bezel – Switch	2
6	00-855796-00001	Gasket – Bezel	1
7	00-855695-00001	Light – Indicating (125 VAC) (Pro).....	1
8	00-854330-00001	Plug – Blank (Basic) (Not Shown)	1
9	00-856678-00001	Gasket – Indicator Light.....	1
10	00-856773-00001	Knob – Timer	1
11	00-854693-00001	Shaft – Rotary Seal.....	1
12	00-856771-00001	Overlay – Control (Basic).....	1
13	00-856771-00002	Overlay – Control (Pro).....	1
14	00-856621-00001	Timer – Mechanical.....	1
	00-856744-00002	Harness – Wiring (Front) (Basic)	1
	00-856745-00002	Harness – Wiring (Front) (Pro)	1

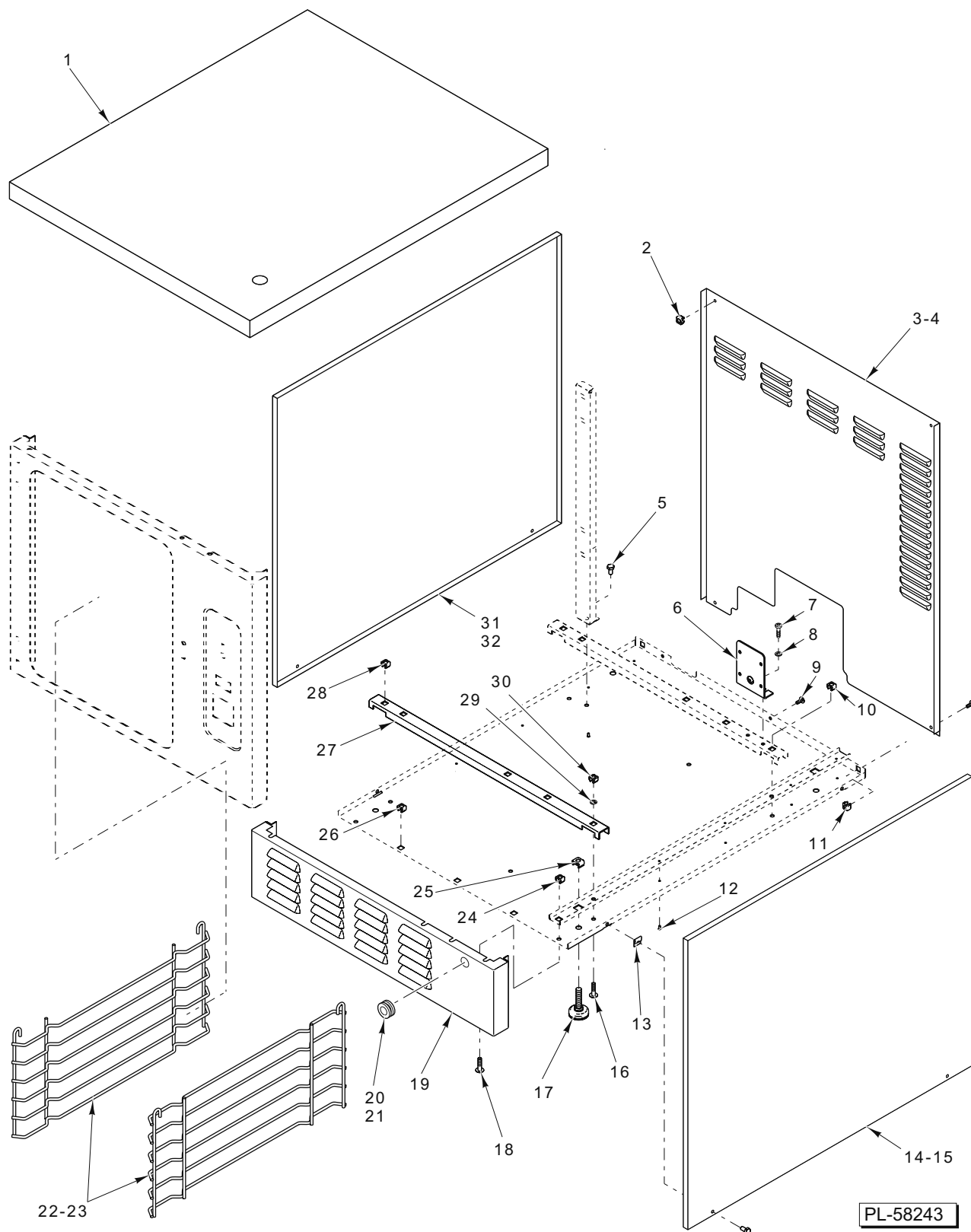


PL-58242

ELECTRICAL COMPONENTS

ELECTRICAL COMPONENTS

ILLUS. PL-58242	PART NO.	NAME OF PART	AMT.
1	00-856762-00001	Shield – Mylar 9 ¹ / ₂ In.....	1
2	00-856762-00002	Shield – Mylar 9 In.....	1
3	SD-019-29	Self-Tapping Screw 6-20 x ¹ / ₂ Phil. Pan Hd., Type B.....	2
4	00-410472-00008	Block – Terminal (3-Pole).....	1
5	SD-019-29	Self-Tapping Screw 6-20 x ¹ / ₂ Phil. Pan Hd., Type B.....	1
6	FE-023-88	Lug – Ground.....	1
7	00-856756-00001	Probe – High Limit Temperature.....	1
8	SC-018-28	Mach. Screw 6-32 x ¹ / ₄ Phil. Pan Hd.....	1
9	00-855028-00001	Block – Fuse (480 V.).....	1
10	SD-019-29	Self-Tapping Screw 6-20 x ¹ / ₂ Phil. Pan Hd., Type B.....	2
11	FE-024-94	Fuse (250 V., 4 Amp.).....	2
12	SD-019-29	Self-Tapping Screw 6-20 x ¹ / ₂ Phil. Pan Hd., Type B.....	2
13	00-294436-00003	Block – Fuse (208/240 V.).....	2
14	SD-019-29	Self-Tapping Screw 6-20 x ¹ / ₂ Phil. Pan Hd., Type B.....	4
15	00-881654	Contact (50 Amp., 3-Pole).....	2
16	SD-019-29	Self-Tapping Screw 6-20 x ¹ / ₂ Phil. Pan Hd., Type B.....	2
17	00-411500-00012	Transformer (120 V., 50/60 Hz.) (Pro).....	1
18	SD-019-29	Self-Tapping Screw 6-20 x ¹ / ₂ Phil. Pan Hd., Type B.....	2
19	00-294500-00033	Transformer (60 VA, 50/60 Hz.).....	1
20	SD-019-29	Self-Tapping Screw 6-20 x ¹ / ₂ Phil. Pan Hd., Type B.....	AR
21	00-856699-00001	Switch – Relay (480 V.) (Pro).....	3
22	00-844069-00001	Control – Low Water.....	1
23	00-416535-00006	Switch – Relay (K3).....	1
24	00-416535-00006	Switch – Relay (K2).....	1
25	00-416535-00006	Switch – Relay (K1).....	1
26	SD-019-29	Self-Tapping Screw 6-20 x ¹ / ₂ Phil. Pan Hd., Type B.....	1
27	00-855661-00001	Relay – Time Delay.....	1
28	NS-049-01	Nut – Panel.....	1
	00-856619-00001	Plate – Mounting (9.25 & 15.75 kW) (Pro Assy.).....	1
	00-856619-00002	Plate – Mounting (8.5 & 15 kW) (Basic Assy.).....	1
	00-856744-00003	Harness – Wiring (Control Section) (Basic).....	1
	00-856745-00003	Harness – Wiring (Control Section) (Pro).....	1

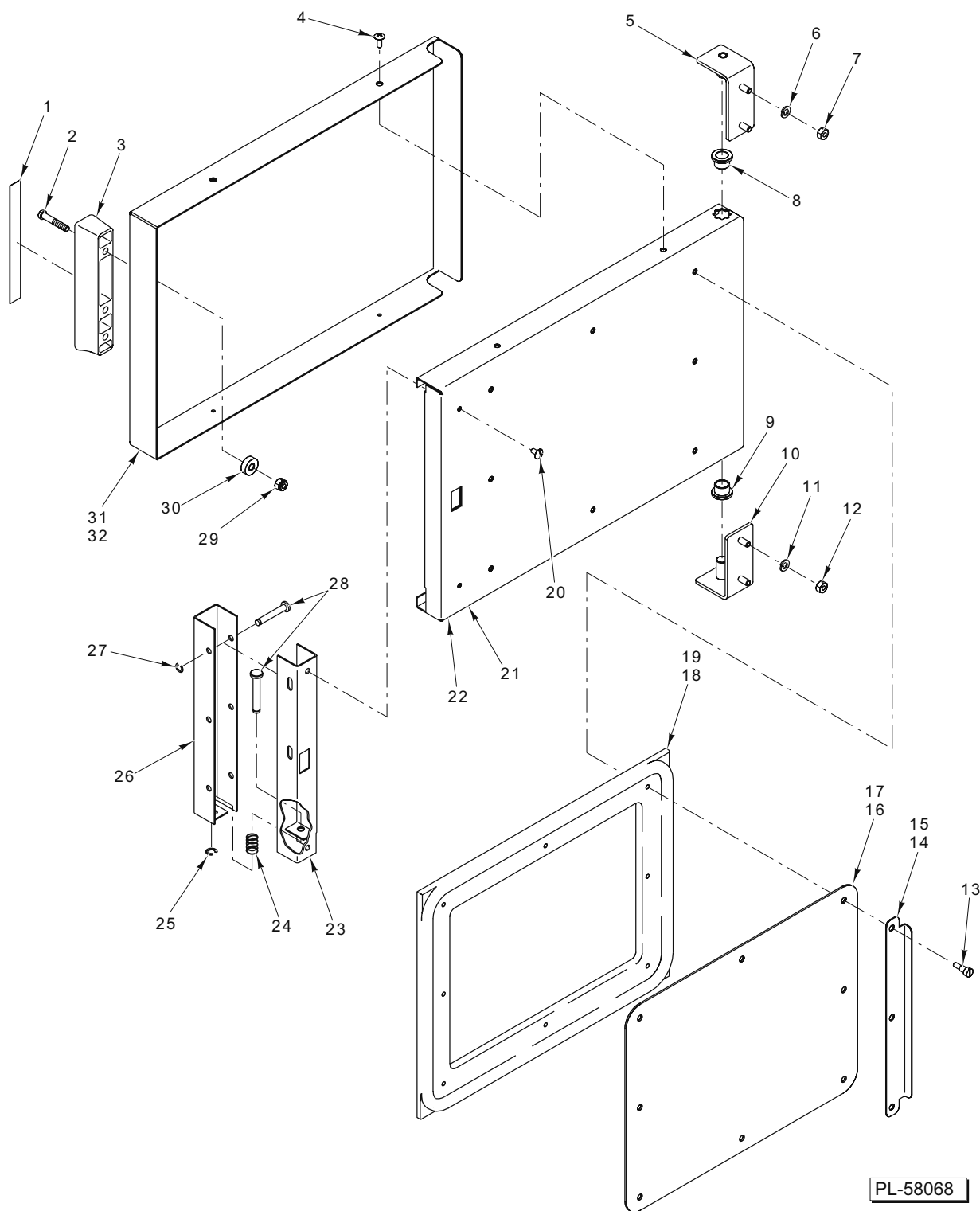


PL-58243

CABINET

CABINET

ILLUS.	PART NO.	NAME OF PART	AMT.
PL-58243			
1	00-855547-00002	Top Panel – Cabinet	1
2	NS-049-01	Nut – Panel	2
3	00-856733-00001	Back Panel – Cabinet (3-Pan)	1
4	00-856733-00002	Back Panel – Cabinet (5-Pan)	1
5	SC-041-50	Cap Screw 1/4-20 x 1/2 Hex Hd. (SST)	4
6	00-857020-00001	Bracket – High Limit Mounting	1
7	SD-019-29	Self-Tapping Screw 6-20 x 1/2 Phil. Pan Hd., Type B	4
8	WS-002-45	Washer	2
9	SC-053-02	Mach. Screw 10-24 x 1/2 Slotted Truss Hd. (SST)	2
10	NS-049-03	Nut – Panel	1
11	NS-049-01	Nut – Panel	2
12	RS-030-08	Rivet – Dome 0.125	8
13	00-854766-00001	Nut – Speed (3 Type)	4
14	00-856731-00001	Side Panel – Cabinet (3-Pan)	1
15	00-856731-00002	Side Panel – Cabinet (5-Pan)	1
16	SC-115-70	Mach. Screw 1/4-20 x 1 Slotted Truss Hd. (SST)	4
17	00-856760-00001	Leg – Leveling (Counter Top)	4
18	SC-115-70	Mach. Screw 1/4-20 x 1 Slotted Truss Hd. (SST)	2
19	00-855314-00001	Apron – Cabinet	1
20	FE-025-79	Bushing – Snap Electric (Basic)	1
21	PB-004-38	Plug – Button (3/4) (Pro)	1
22	00-855355-00001	Rack – Wire (3-Pan)	2
23	00-855355-00002	Rack – Wire (5-Pan)	2
24	NS-049-03	Nut – Panel	1
25	NS-049-02	Nut – Panel	2
26	NS-049-01	Nut – Panel	5
27	00-856740-00001	Cross Channel – Base (Cabinet)	1
28	NS-049-03	Nut – Panel	4
29	WL-006-17	Lockwasher 1/4 Helical	5
30	NS-049-02	Nut – Panel	1
31	00-856731-00001	Side Panel – Cabinet (3-Pan)	1
32	00-856731-00002	Side Panel – Cabinet (5-Pan)	1

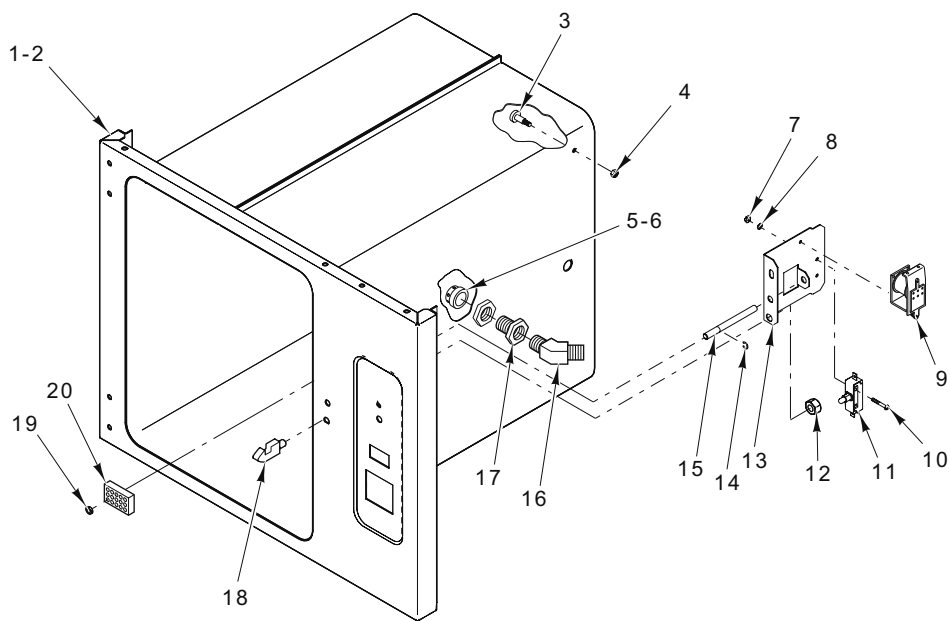


PL-58068

DOOR

DOOR

ILLUS.	PART NO.	NAME OF PART	AMT.
PL-58068			
1	00-855288-00001	Face Plate – Door Handle	1
2	SC-120-70	Cap Screw 1/4-20 x 1 5/8 Hex Socket Hd.....	2
3	00-855287-00001	Door – Handle.....	1
4	SC-066-20	Mach. Screw 10-32 x 1/2 Phil. Pan Hd.....	4
5	00-855521-00001	Hinge Assy. – Door (Top).....	1
6	WL-006-17	Lockwasher 1/4 Helical.....	2
7	NS-046-38	Mach. Nut 1/4-20 Hex (SST).....	2
8	00-817643	Bearing – Flanged	1
9	00-817643	Bearing – Flanged	1
10	00-855521-00002	Hinge Assy. – Door (Bottom).....	1
11	WL-006-17	Lockwasher 1/4 Helical.....	2
12	NS-046-38	Mach. Nut 1/4-20 Hex (SST).....	2
13	00-855597-00002	Screw – Shoulder Slotted	3
14	00-855714-00001	Gasket – Door Guard (3-Pan).....	1
15	00-855714-00002	Gasket – Door Guard (5-Pan).....	1
16	00-855285-00001	Gasket Retainer – Door (3-Pan).....	1
17	00-855285-00002	Gasket Retainer – Door (5-Pan).....	1
18	00-857085-00001	Gasket – Door (3-Pan).....	1
19	00-857085-00002	Gasket – Door (5-Pan).....	1
20	SC-053-05	Mach. Screw 10-24 x 3/8 Slotted Truss Hd.	2
21	00-855582-00001	Bracket Weldment – Door (3-Pan).....	1
22	00-855582-00002	Bracket Weldment – Door (5-Pan).....	1
23	00-855584-0001	Door Latch – Bracket.....	1
24	00-855298-00001	Latch Spring – Door.....	1
25	RR-006-22	Ring – Retaining (1/4 In.).....	1
26	00-855585-00001	Latch Actuator – Door.....	1
27	RR-006-22	Ring – Retaining (1/4 In.).....	3
28	00-855590-00002	Pin – Clevis 1.525 In. Lg.....	4
29	NS-048-63	Stop Nut 1/4-20 Special.....	2
30	00-855290-00001	Bearing – Door Handle	2
31	00-855580-00001	Frame – Door (3-Pan).....	1
32	00-855580-00002	Frame – Door (5-Pan).....	1

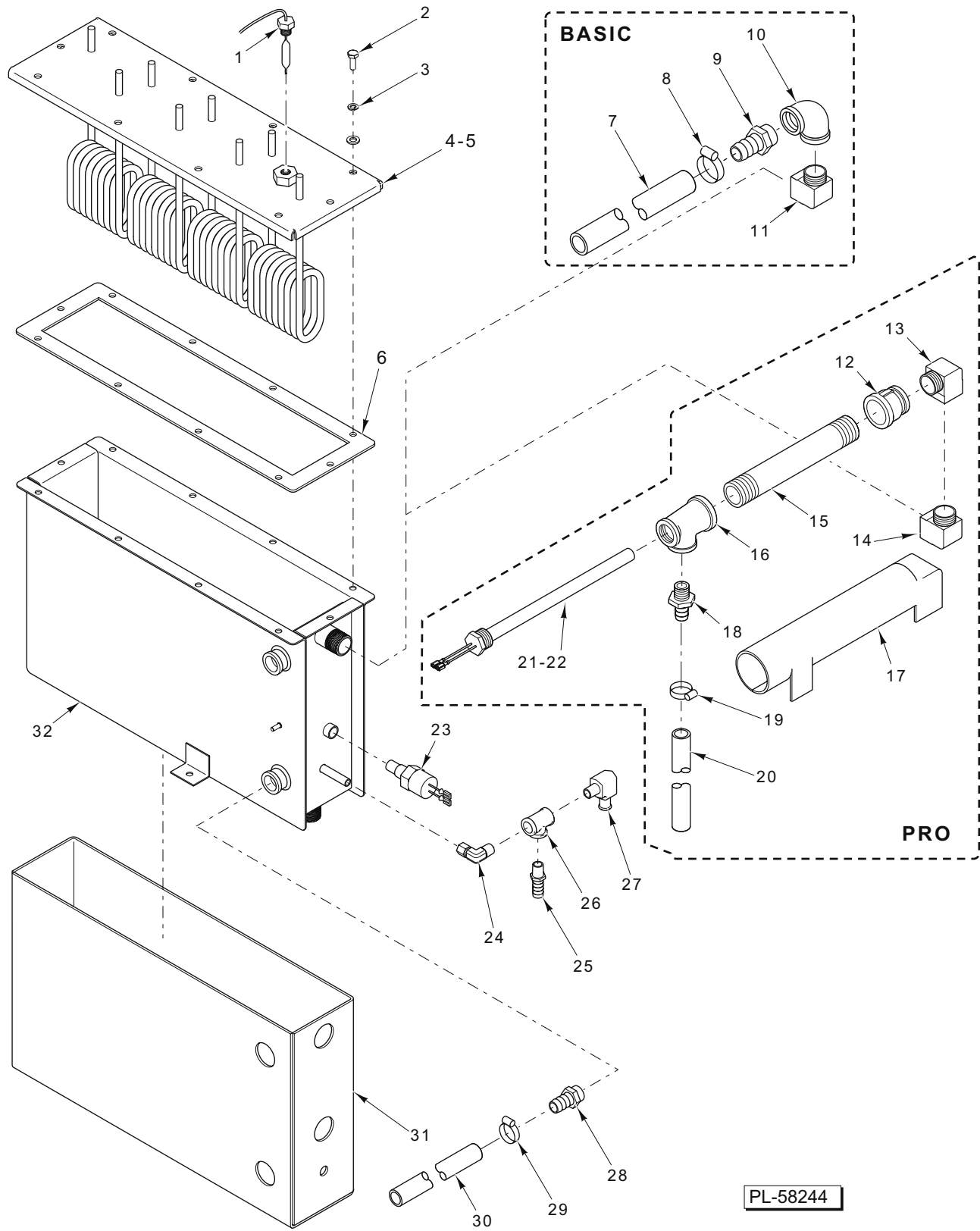


PL-58097

COMPARTMENT

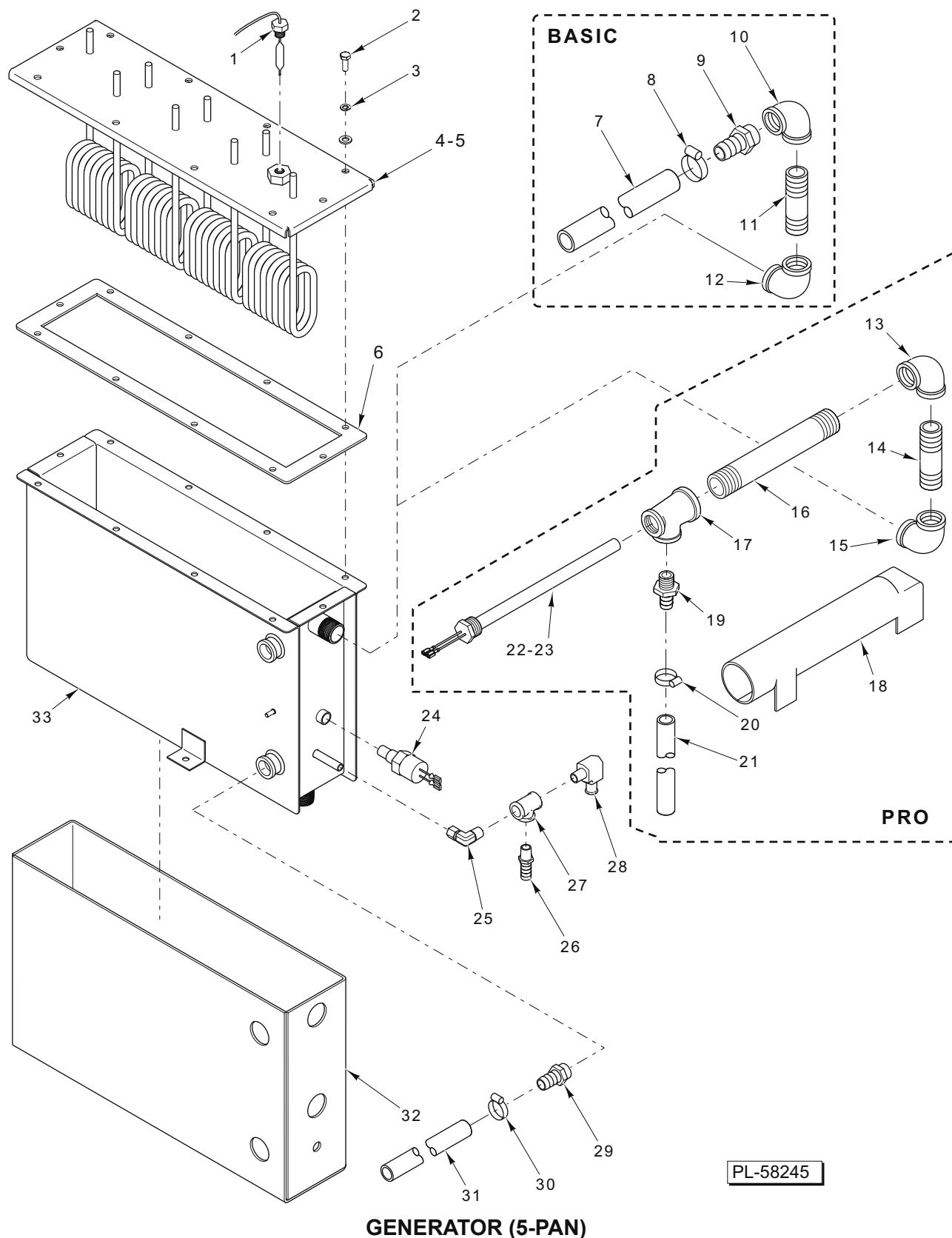
COMPARTMENT

ILLUS.	PART NO.	NAME OF PART	AMT.
PL-58097			
1	00-855278-00001	Compartment (3-Pan).....	1
2	00-855449-00001	Compartment (5-Pan).....	1
3	00-855337-00001	Shoulder Screw 18-8 Slotted.....	4
4	NS-046-88	Nut Assy. 10-32 Hex.....	4
5	00-856753-00001	Steam Port – Compartment (5-Pan).....	1
6	00-856742-00001	Steam Port – Compartment (3-Pan).....	1
7	NS-011-07	Mach. Nut 6-32 Hex (SST).....	2
8	WL-014-03	Lockwasher #6 External.....	2
9	00-411499-00004	Buzzer (115 V.).....	1
10	SC-021-12	Mach. Screw 6-32 x 1 Slotted Rd. Hd.....	1
11	00-842049	Switch – Door.....	1
12	00-855586-00001	Bullet – Door.....	1
13	00-855308-00001	Actuator Bracket – Door.....	1
14	RR-006-22	Ring – Retaining.....	2
15	00-855307-00001	Actuator Rod – Door.....	1
16	FP-090-18	Elbow Pipe ⁵ / ₈ x 45 Deg. (Brass).....	1
17	00-855394-00001	Adapter – Cabinet Steam Port.....	1
18	00-855586-00001	Bullet – Door.....	1
19	NS-011-18	Mach. Nut 10-24 Hex (SST).....	1
20	00-855753-00001	Cover – Drain.....	1
	00-855779-00001	Compartment – Insulation (3-Pan).....	1
	00-855779-00002	Compartment – Insulation (5-Pan).....	1
	00-557760	Shim (0.005 Thk.) (SST).....	AR
	00-557761	Shim (0.010 Thk.) (SST).....	AR
	00-557762	Shim (0.031 Thk.) (SST).....	AR



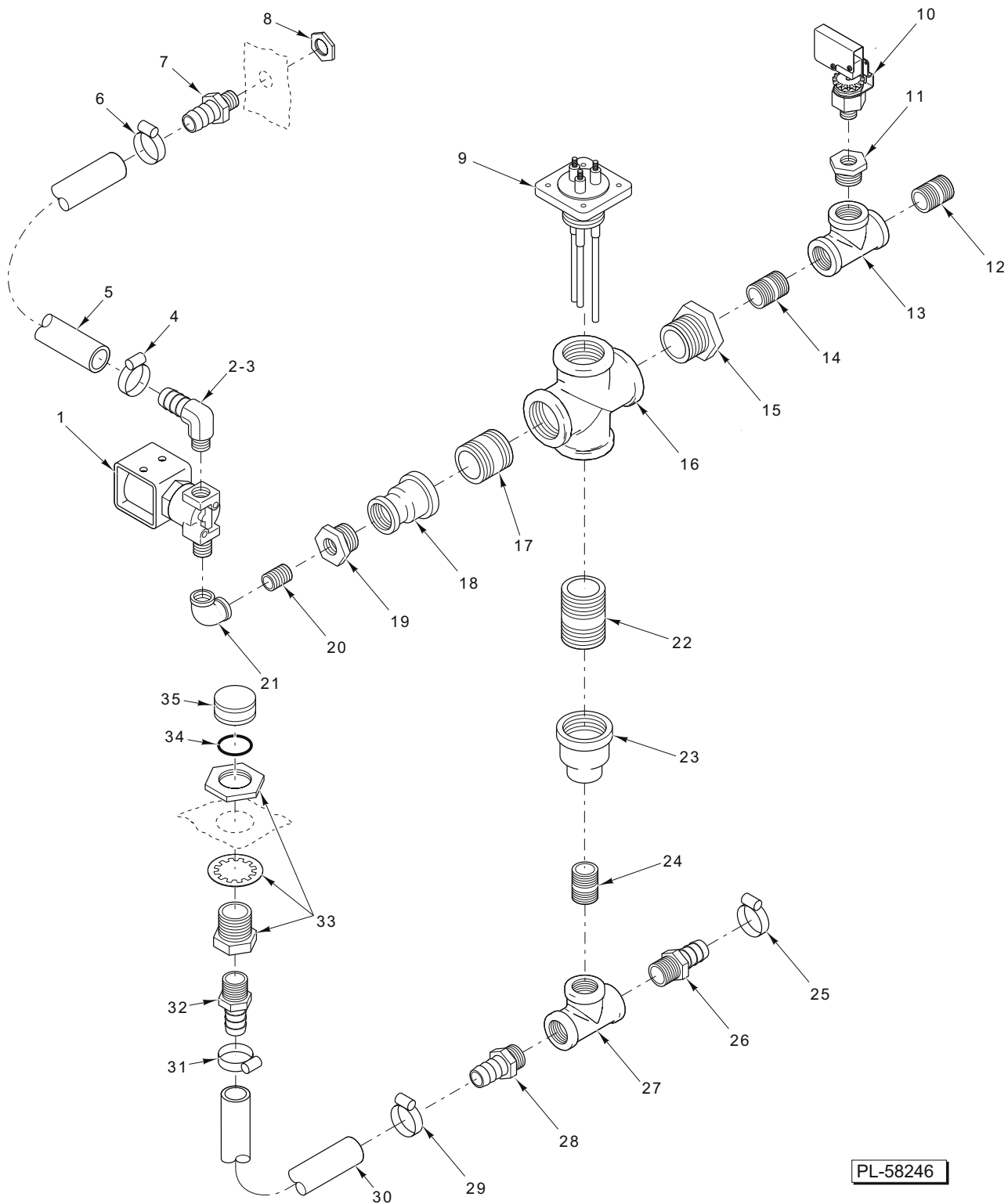
GENERATOR (3-PAN)

ILLUS.	PART NO.	NAME OF PART	AMT.
PL-58244			
1	00-856756-00001	Probe – High Limit Temperature.....	1
2	SC-041-01	Cap Screw 1/4-20 x 3/4 Hex Hd. (SST).....	10
3	WL-006-17	Lockwasher 1/4 Helical.....	10
4	00-856710-00002	Element – Heating (208/240 V., 8.5 kW).....	1
5	00-856710-00004	Element – Heating (480 V., 8.5 kW).....	1
6	00-856711-00001	Gasket – Generator.....	1
7	00-557475	Hose 5/8 ID x 0.955 OD (1.66 Ft.) (Blue) (Basic).....	1
8	00-557718	Clamp – Hose (Basic).....	1
9	FP-090-31	Fitting – Hose 5/8 Hose to 3/4 MPT (Brass) (Basic).....	1
10	FP-015-23	Elbow – Pipe 3/4 90 Deg. (Brass) (Basic).....	1
11	FP-090-70	Elbow 3/4 Pipe 90 Deg. (Brass) (Basic).....	1
12	FP-083-99	Coupling – Reducing 1 to 3/4 (Brass) (Pro).....	1
13	FP-090-70	Elbow 3/4 Pipe 90 Deg. (Brass) (Pro).....	1
14	FP-090-70	Elbow 3/4 Pipe 90 Deg. (Brass) (Pro).....	1
15	FP-090-49	Pipe 1 x 8 (Brass) (Pro).....	1
16	FP-019-40	Tee – Pipe 1 x 3/4 x 3/4 (Brass) (Pro).....	1
17	00-856774-00001	Insulation – Super Heater (Pro).....	1
18	FP-090-31	Fitting – Hose 5/8 Hose to 3/4 MPT (Brass) (Pro).....	1
19	00-557718	Clamp – Hose (Pro).....	1
20	00-557475	Hose 5/8 ID x 0.955 OD (1.66 Ft.) (Blue) (Pro).....	1
21	00-856709-00001	Heater – Generator (280/240 V.) (Pro).....	1
22	00-856709-00002	Heater – Generator (480 V.) (Pro).....	1
23	00-856768-00001	Probe – Hold Temperature.....	1
24	FP-012-11	Fitting – Tube 3/8 TBG x 1/4 MPT (Brass).....	1
25	FP-090-59	Fitting – Hose 1/2 Hose to 1/4 MPT (Brass).....	1
26	FP-019-08	Tee – Pipe 1/4 x 1/4 x 1/4 (Brass).....	1
27	FP-090-55	Fitting – Hose 1/2 Hose x 1/4 NPT (Brass).....	1
28	FP-087-39	Fitting – Hose 5/8 ID Hose to 1/2 MPT (Brass).....	1
29	00-534177	Clamp – Hose.....	1
30	00-557477	Hose 1 ID x 1.133 OD (0.93 Ft.) (Green).....	1
31	00-856757-00001	Insulation – Generator.....	1
32	00-856701-00001	Generator.....	1



GENERATOR (5-PAN)

ILLUS.	PART NO.	NAME OF PART	AMT.
PL-58245			
1	00-856756-00001	Probe – High Limit Temperature	1
2	SC-041-01	Cap Screw 1/4-20 x 3/4 Hex Hd. (SST)	10
3	WL-006-17	Lockwasher 1/4 Helical.....	10
4	00-856710-00001	Element – Heating (208/240 V., 15 kW).....	1
5	00-856710-00003	Element – Heating (480 V., 15 kW).....	1
6	00-856711-00001	Gasket – Generator	1
7	00-557475	Hose 5/8 ID x 0.955 OD (1.66 Ft.) (Blue) (Basic).....	1
8	00-557718	Clamp – Hose (Basic).....	1
9	FP-090-31	Fitting – Hose 5/8 Hose to 3/4 MPT (Brass) (Basic).....	1
10	FP-015-23	Elbow – Pipe 3/4 90 Deg. (Brass) (Basic).....	1
11	FP-041-66	Pipe 3/4 x 3 TBE (Brass) (Basic).....	1
12	FP-015-23	Elbow – Pipe 3/4 x 90 Deg. (Brass) (Basic).....	1
13	FP-015-23	Elbow – Pipe 3/4 90 Deg. (Brass) (Pro).....	1
14	FP-041-66	Pipe 3/4 x 3 TBE (Brass) (Pro).....	1
15	FP-015-23	Elbow – Pipe 3/4 x 90 Deg. (Brass) (Pro).....	1
16	FP-090-49	Pipe 1 x 8 (Brass) (Pro).....	1
17	FP-019-40	Tee – Pipe 1 x 3/4 x 3/4 (Brass) (Pro).....	1
18	00-856774-00001	Insulation – Super Heater (Pro).....	1
19	FP-090-31	Fitting – Hose 5/8 Hose to 3/4 MPT (Brass) (Pro).....	1
20	00-557718	Clamp – Hose (Pro).....	1
21	00-557475	Hose 5/8 ID x 0.955 OD (1.66 Ft.) (Blue) (Pro).....	1
22	00-856709-00001	Heater – Generator (280/240 V.) (Pro).....	1
23	00-856709-00002	Heater – Generator (480 V.) (Pro).....	1
24	00-856768-00001	Probe – Hold Temperature.....	1
25	FP-012-11	Fitting – Tube 3/8 TBG x 1/4 MPT (Brass).....	1
26	FP-090-59	Fitting – Hose 1/2 Hose to 1/4 MPT (Brass).....	1
27	FP-019-08	Tee – Pipe 1/4 x 1/4 x 1/4 (Brass).....	1
28	FP-090-55	Fitting – Hose 1/2 Hose x 1/4 NPT (Brass).....	1
29	FP-087-39	Fitting – Hose 5/8 ID Hose to 1/2 MPT (Brass).....	1
30	00-534177	Clamp – Hose.....	1
31	00-557477	Hose 1 ID x 1.133 OD (0.93 Ft.) (Green).....	1
32	00-856757-00001	Insulation – Generator	1
33	00-856701-00001	Generator.....	1

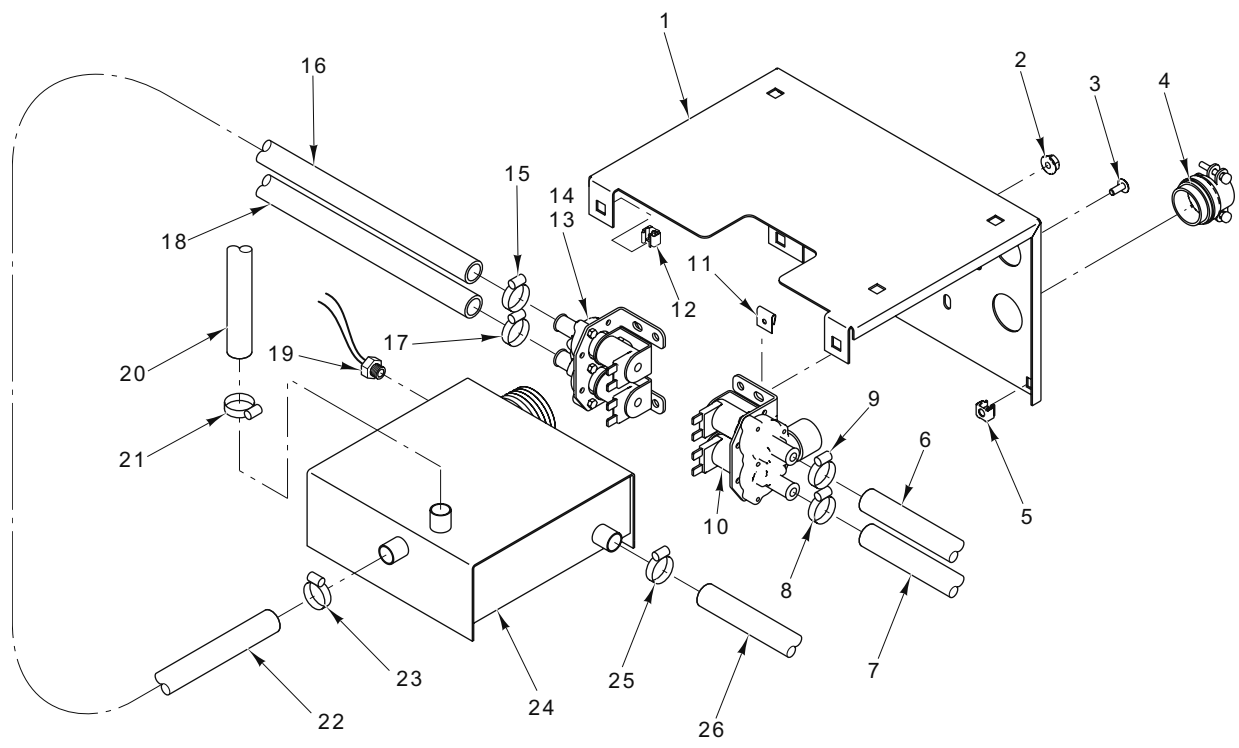


PL-58246

WATER LEVEL PROBE

WATER LEVEL PROBE

ILLUS. PL-58246	PART NO.	NAME OF PART	AMT.
1	00-857021-00001	Valve – Solenoid $\frac{1}{4}$ NPT, $\frac{9}{32}$ Orifice	1
2	FP-090-55	Fitting – Hose Pipe to Hose Adapter $\frac{1}{2}$ ID x $\frac{1}{4}$ NPT 90 Deg. (3-Pan) (Brass)	1
3	FP-090-59	Fitting – Hose $\frac{1}{2}$ ID x $\frac{1}{4}$ Straight NPT (5-Pan) (Brass) (Not Shown)	1
4	00-557718	Clamp – Hose #10	1
5	00-557474	Hose $\frac{1}{2}$ ID x 0.830 OD (3 Ft.).....	1
6	00-557718	Clamp – Hose #10	1
7	FP-090-59	Fitting – Hose $\frac{1}{2}$ ID x $\frac{1}{4}$ NPT (Brass).....	1
8	FP-030-14	Locknut – Pipe $\frac{1}{4}$ NPSL (Brass).....	1
9	00-850736-00003	Probe – Level Control	1
10	00-857022-00001	Switch – Pressure.....	1
11	FP-027-06	Bushing – Pipe $\frac{1}{2}$ to $\frac{1}{8}$ (Brass)	1
12	FP-035-91	Pipe $\frac{1}{2}$ x $\frac{1}{8}$ TBE.....	1
13	FP-019-25	Tee – Pipe $\frac{1}{2}$ x $\frac{1}{2}$ x $\frac{1}{2}$	1
14	FP-035-91	Pipe $\frac{1}{2}$ x $\frac{1}{8}$ TBE.....	1
15	FP-026-24	Bushing – Pipe 1 to $\frac{1}{2}$	1
16	FP-088-56	Cross – Pipe Std. 1 x 1 x 1 x 1 Std.....	1
17	FP-036-17	Pipe 1 x $\frac{1}{2}$ TBE.....	1
18	FP-024-14	Coupling – Reducing 1 to $\frac{3}{4}$	1
19	FP-026-65	Bushing – Pipe $\frac{3}{4}$ to $\frac{1}{4}$	1
20	FP-035-38	Pipe $\frac{1}{4}$ x $\frac{7}{8}$ TBE	1
21	FP-078-85	Elbow – Pipe $\frac{1}{4}$ x 90 Deg.	1
22	FP-059-32	Pipe 1 x $2\frac{1}{2}$ TBE.....	1
23	FP-024-42	Coupling – Reducing 1 to $\frac{1}{2}$	1
24	FP-035-94	Pipe $\frac{1}{2}$ x $\frac{1}{2}$ TBE.....	1
25	00-557718	Clamp – Hose #10	1
26	FP-087-39	Fitting – Hose $\frac{5}{8}$ Hose to $\frac{1}{2}$ NPT (Brass).....	1
27	FP-019-25	Tee – Pipe $\frac{1}{2}$ x $\frac{1}{2}$ x $\frac{1}{2}$	1
28	FP-087-39	Fitting – Hose $\frac{5}{8}$ Hose to $\frac{1}{2}$ NPT (Brass).....	1
29	00-557718	Clamp – Hose #10	1
30	00-557475	Hose $\frac{5}{8}$ ID x 0.955 OD (1.66 Ft.).....	1
31	00-557718	Clamp – Hose #10	1
32	FP-090-63	Fitting – Hose $\frac{5}{8}$ ID Hose to $\frac{3}{8}$ MPT	1
33	FP-090-37	Fitting – Hose – Anchor Coupling $\frac{3}{8}$ NPT.....	1
34	00-856769-00001	O-Ring $\frac{1}{8}$ In. Thk.	1
35	FP-090-60	Fitting – Hose – Round Hose Cap $\frac{3}{4}$ NH Thread	1

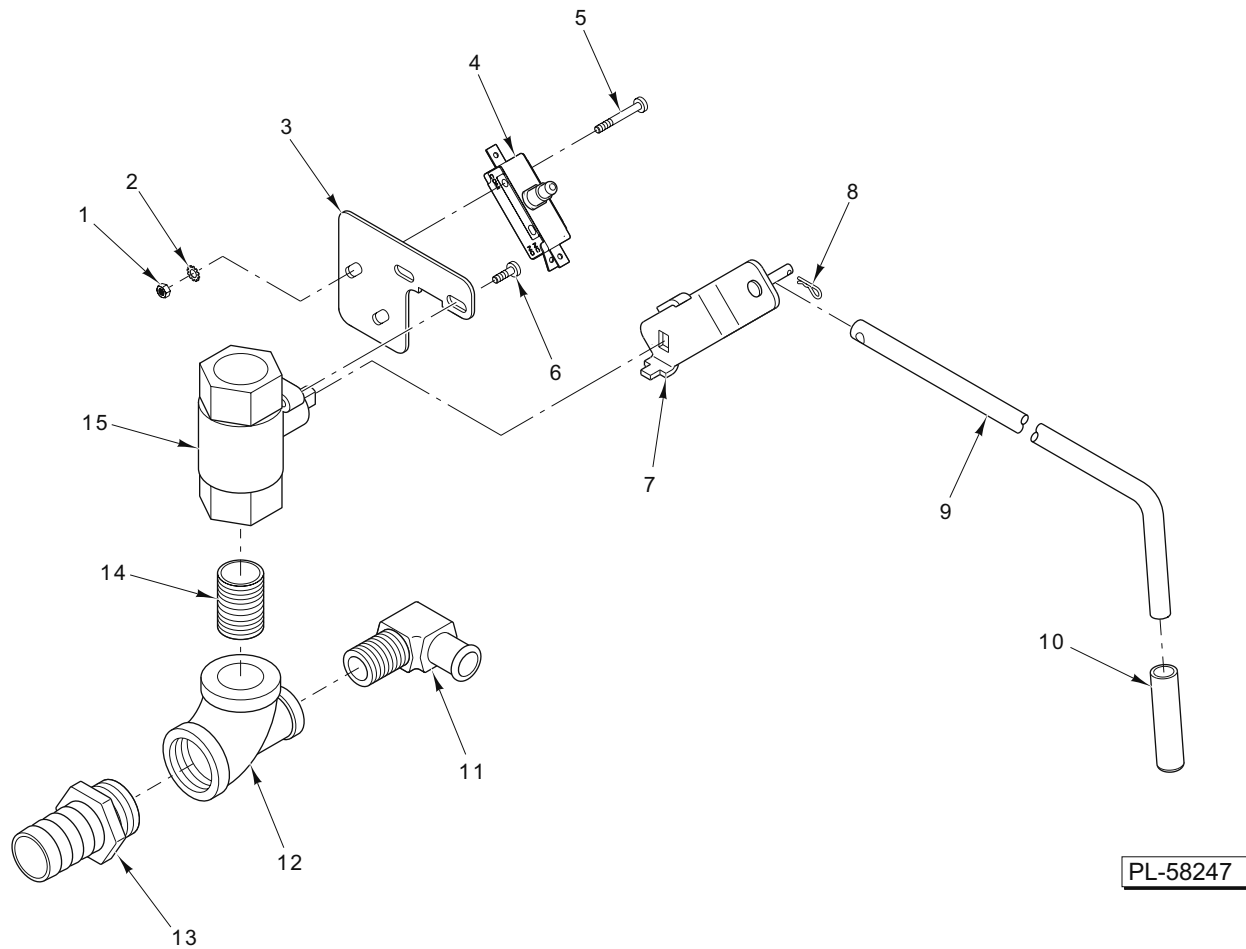


PL-58093

CABINET VALVE

CABINET VALVE

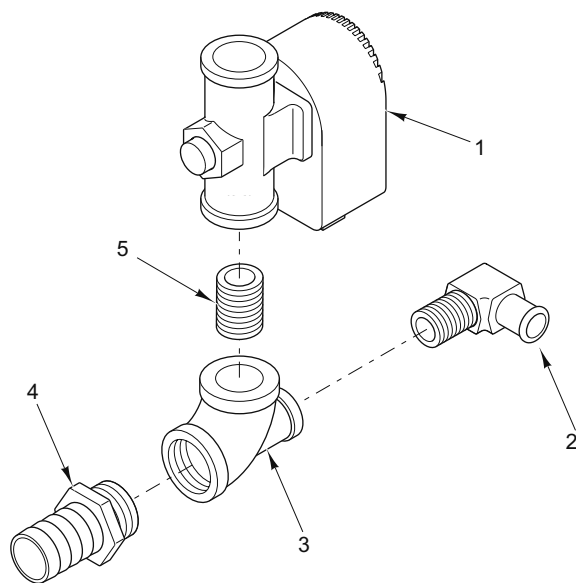
ILLUS. PL-58093	PART NO.	NAME OF PART	AMT.
1	00-856737-00001	Bracket – Valve (Cabinet)	1
2	NS-038-04	Lock Nut 1/4-20	2
3	SC-053-02	Mach. Screw 10-24 x 1/2 Slotted Truss Hd. (SST).....	4
4	FE-026-41	Connector – Conduit (1 In.) (Pro)	1
5	NS-049-01	Nut – Panel	2
6	00-557681	Hose – Generator Slow Fill Line (12 In.).....	1
7	00-557681	Hose – Generator Fill Line (12 In.)	1
8	00-544424	Clamp – Hose #8	1
9	00-544424	Clamp – Hose #8	1
10	00-856720-00002	Valve – Dual Water 4.8 - 0.15 GPM.....	1
11	NS-048-97	Nut – Panel	4
12	NS-049-03	Nut – Panel	5
13	00-856720-00006	Valve – Dual Water 4.8 - 1.35 GPM (5-Pan).....	1
14	00-856720-00004	Valve – Dual Water 4.8 - 0.75 GPM (3-Pan).....	1
15	00-557718	Clamp – Hose #10	1
16	00-557681	Hose – Condensate Box Line (14 In.).....	1
17	00-557718	Clamp – Hose #10	1
18	00-557681	Hose – Compartment Condensate Line (30 In.).....	1
19	00-855607-00001	Thermostat – Condensate	1
20	00-557477	Hose – Generator Drain Line (3 In.)	1
21	00-544424	Clamp – Hose #8	1
22	00-557681	Hose – Condensate Box Line (14 In.).....	1
23	00-557718	Clamp – Hose #10	1
24	00-856734-00001	Box – Condensate – Weldment	1
25	00-534177	Clamp – Hose #12	1
26	00-557477	Hose – Compartment Drain Line (7 In.).....	1
	00-856744-00004	Harness – Wiring (Rear) (Basic).....	1
	00-856745-00004	Harness – Wiring (Rear) (Pro).....	1



PL-58247

GENERATOR DRAIN (BASIC)

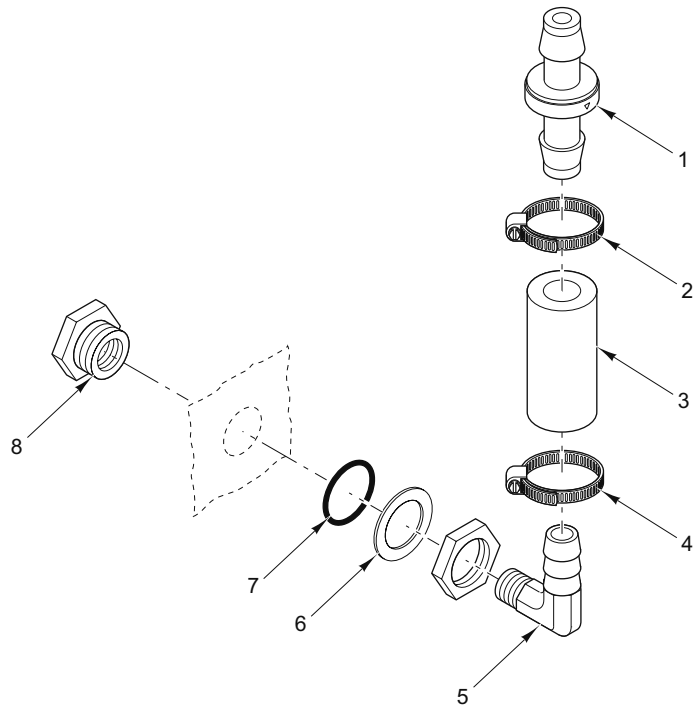
ILLUS.	PART NO.	NAME OF PART	AMT.
1	NS-011-07	Mach. Nut 6-32 Hex (SST)	2
2	WL-014-03	Lockwasher #6 External	2
3	00-856779-00001	Bracket – Actuator (Generator)	1
4	00-842049	Switch – Door	1
5	SC-021-12	Mach. Screw 6-32 x 1 Slotted Rd. Hd. (SST)	2
6	SC-066-05	Mach. Screw 10-24 x 3/8 Phil. Pan Hd. (SST)	2
7	00-856776-00001	Lever – Generator Drain	1
8	00-855729-00001	Pin – Cotter	1
9	00-856729-00001	Drain Handle – Generator	1
10	00-856736-00001	Cap – Drain Handle – Cabinet	1
11	FP-090-56	Fitting – Hose	1
12	FP-085-65	Tee – Pipe 3/4 x 3/4 x 3/4	1
13	FP-090-51	Fitting – Hose	1
14	FP-036-92	Pipe 3/4 x 1 3/8 TBE	1
15	FP-090-57	Valve 3/4 In. Ball (Bronze)	1



PL-58248

GENERATOR DRAIN (PRO)

ILLUS.	PART NO.	NAME OF PART	AMT.
1	00-856718-00001	Drain Valve – Generator	1
2	FP-090-56	Fitting – Hose.....	1
3	FP-085-65	Tee – Pipe $\frac{3}{4} \times \frac{3}{4} \times \frac{3}{4}$	1
4	FP-090-51	Fitting – Hose.....	1
5	FP-036-92	Pipe $\frac{3}{4} \times 1\frac{3}{8}$ TBE	1



PL-58249

COMPARTMENT VACUUM BREAKER

ILLUS. PL-58249	PART NO.	NAME OF PART	AMT.
1	00-856755-00001	Valve – Check.....	1
2	00-557718	Clamp – Hose.....	1
3	00-557473	Tube Line – Compartment Vacuum.....	1
4	00-557718	Clamp – Hose.....	2
5	FP-090-71	Fitting – Hose ³ / ₈ Hose by ¹ / ₈ NPT (Brass).....	1
6	WS-010-26	Washer.....	1
7	00-856769-00001	O-Ring.....	1
8	FP-090-36	Coupling – Anchor ¹ / ₈ (Brass).....	1