

# **VULCAN**

## *CATALOG OF REPLACEMENT PARTS*

### *GAS AND ELECTRIC TILTING BRAISING PAN*

#### *MODELS*

|               |                 |
|---------------|-----------------|
| <i>G-30-O</i> | <i>ML-52701</i> |
| <i>G-30-C</i> | <i>ML-52702</i> |
| <i>E-30-O</i> | <i>ML-52703</i> |
| <i>E-30-C</i> | <i>ML-52704</i> |
| <i>G-40-O</i> | <i>ML-52705</i> |
| <i>G-40-C</i> | <i>ML-52706</i> |
| <i>E-40-O</i> | <i>ML-52707</i> |
| <i>E-40-C</i> | <i>ML-52708</i> |

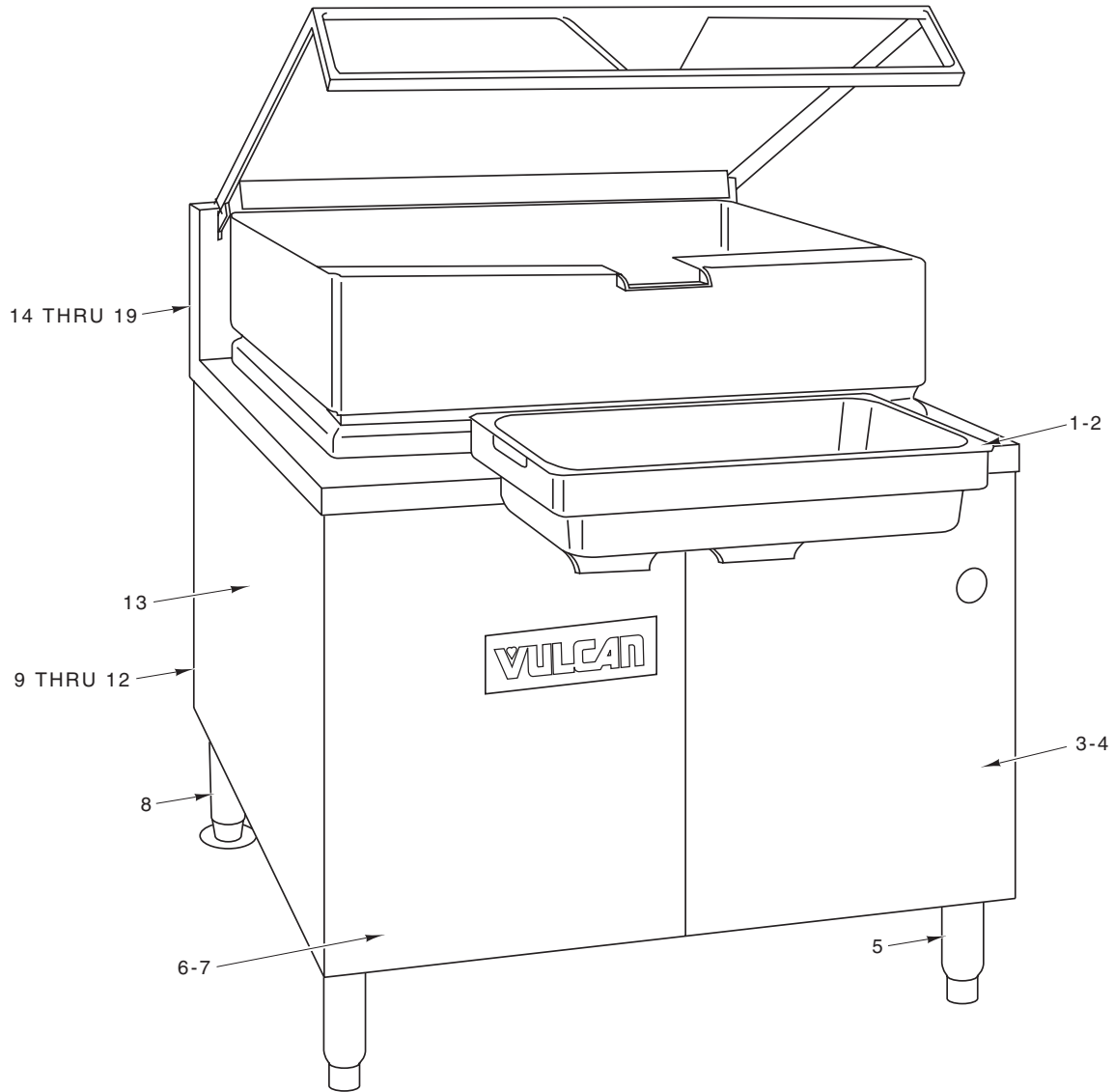


**For additional information on Vulcan-Hart Company or to locate an authorized parts and service provider in your area, visit our website at [www.vulcanhart.com](http://www.vulcanhart.com)**



**Table of Contents**

| <b>Page</b> | <b>Description</b>   |
|-------------|--|
| 5           | Cabinet - Closed Base  |
| 7           | Cabinet - Open Base  |
| 9           | Lid Assembly   |
| 11          | Gas Heat (Standing Pilot)  |
| 12          | Gas Heat (Electronic Ignition) (For Units Before S/N 271079585)        |
| 13          | Gas Heat (Electronic Ignition) (For Units Starting with S/N 271079585) |
| 15          | Electric Heat  |
| 17          | Thermostat Temperature Control   |
| 19          | Solid State Temperature Control (Option)                               |
| 21          | Power Lift   |
| 22          | Manual Lift (Previous Construction)                                    |
| 25          | Manual Lift (Current Construction)                                     |
| 27          | Electric Timer (Option)  |
| 29          | Spray Hose with Faucet (Option)  |
| 31          | Articulated Pan Holder (Option)  |
| 32          | Other Options  |

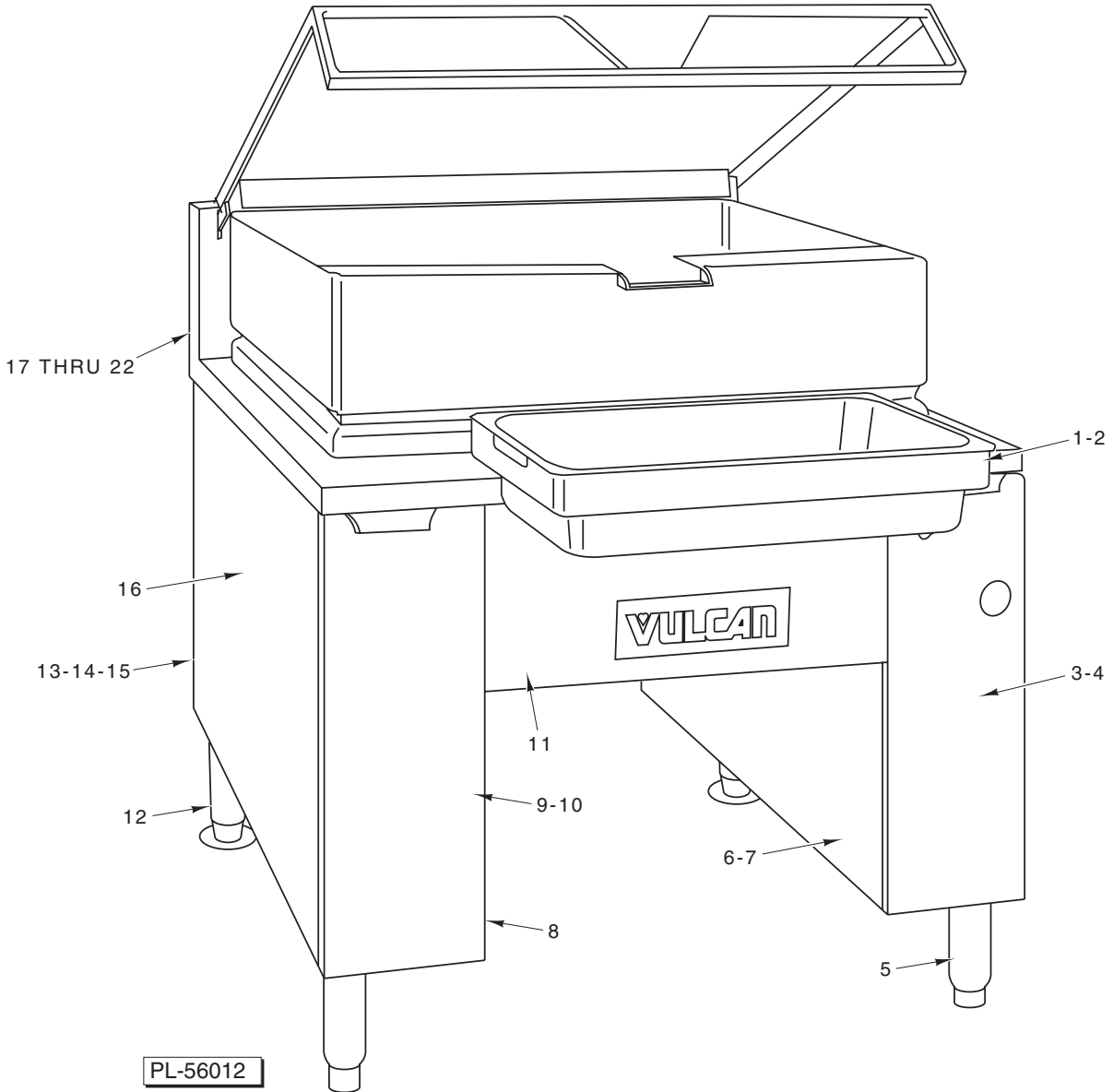


PL-56011

**CABINET - CLOSED BASE**

## CABINET - CLOSED BASE

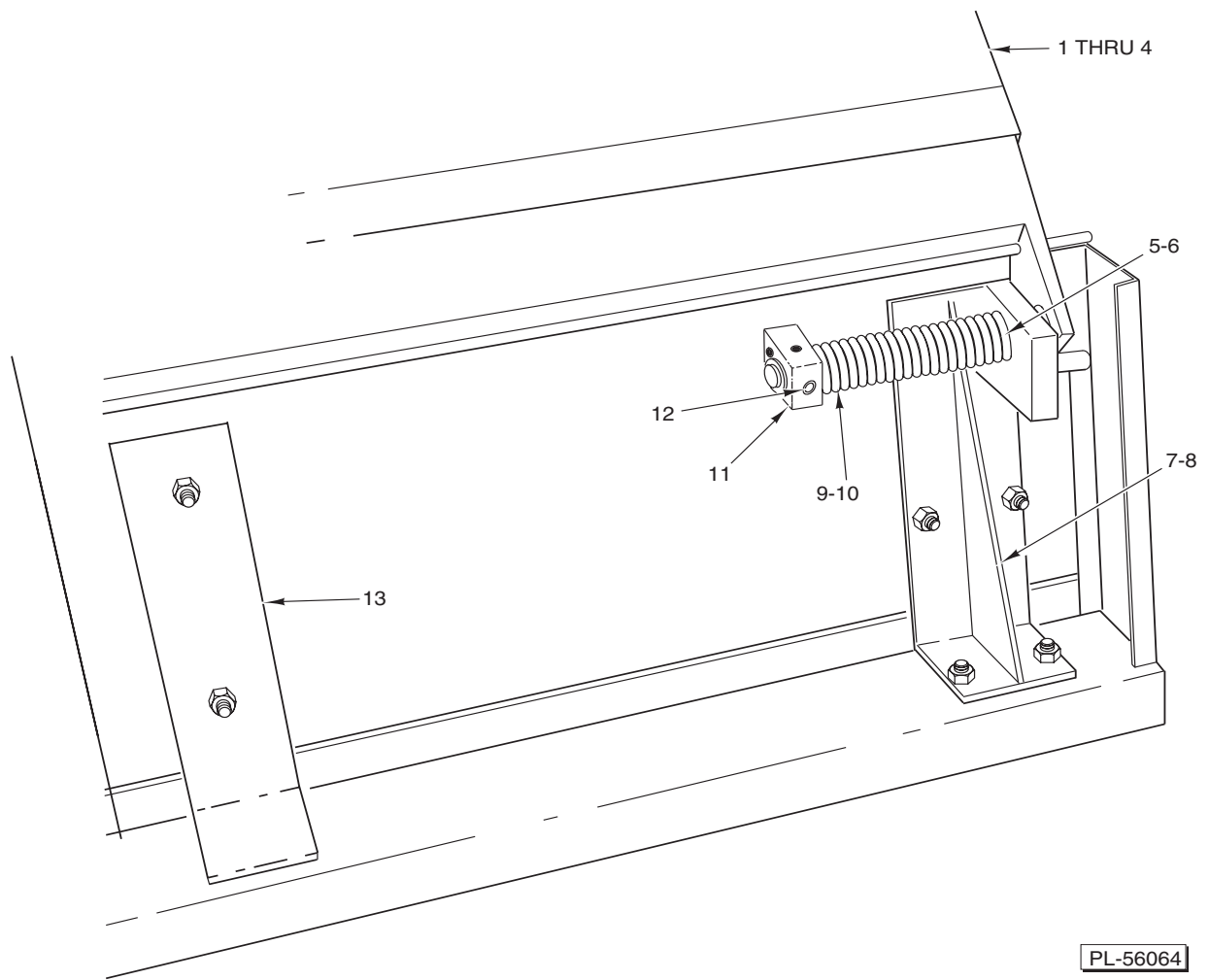
| ILLUS.<br>PL-56011 | PART NO.        | NAME OF PART                                       | AMT. |
|--------------------|-----------------|--|------|
| 1                  | 00-812276-00001 | Pan Rack Assy. (Stationary) (23 & 30 Gallon) ..... | 1    |
| 2                  | 00-821176-00002 | Pan Rack Assy. (Stationary) (40 Gallon) .....      | 1    |
| 3                  | 00-840191-00002 | Door Assy. (RH) (23 & 30 Gallon) .....             | 1    |
| 4                  | 00-840347-00002 | Door Assy. (RH) (40 Gallon) .....                  | 1    |
| 5                  | 00-881525       | Leg 6 In. Bullet Foot .....                        | 2    |
| 6                  | 00-840437-00001 | Door Assy. (LH) (23 & 30 Gallon) .....             | 1    |
| 7                  | 00-840344-00001 | Door Assy. (LH) (40 Gallon) .....                  | 1    |
| 8                  | 00-881526       | Leg 6 In. Flanged Foot .....                       | 2    |
| 9                  | 00-881537-00011 | Panel - Rear (Alum.) (23 & 30 Gallon) .....        | 1    |
| 10                 | 00-840326-00011 | Panel - Rear (Alum.) (40 Gallon) .....             | 1    |
| 11                 | 00-881537-00012 | Panel - Rear (SST) (23 & 30 Gallon) .....          | 1    |
| 12                 | 00-840326-00012 | Panel - Rear (SST) (40 Gallon) .....               | 1    |
| 13                 | 00-881536       | Side Panel .....                                   | 2    |
| 14                 | 00-840149-00001 | Shroud - Gas Heat Units (23 Gallon) .....          | 1    |
| 15                 | 00-821273       | Shroud - Gas Heat Units (30 Gallon) .....          | 1    |
| 16                 | 00-840332-00001 | Shroud - Gas Heat Units (40 Gallon) .....          | 1    |
| 17                 | 00-840027       | Shroud - Electric Heat Units (23 Gallon) .....     | 1    |
| 18                 | 00-840266       | Shroud - Electric Heat Units (30 Gallon) .....     | 1    |
| 19                 | 00-840334       | Shroud - Electric Heat Units (40 Gallon) .....     | 1    |
|                    | 00-881540-00001 | Hinge - Bottom (RH) .....                          | 1    |
|                    | 00-881540-00002 | Hinge - Bottom (LH) .....                          | 1    |
|                    | 00-817797       | Bracket - Magnetic Latch .....                     | AR   |
|                    | 00-881761       | Catch - Magnetic .....                             | AR   |
|                    | 00-821134-00002 | Pan Bearing Assy. (LH) .....                       | 1    |
|                    | 00-821134-00001 | Pan Bearing Assy. (RH) .....                       | 1    |



CABINET - OPEN BASE

**CABINET - OPEN BASE**

| ILLUS.<br>PL-56012 | PART NO.        | NAME OF PART                                       | AMT. |
|--------------------|-----------------|--|------|
| 1                  | 00-821176-00001 | Pan Rack Assy. (Stationary) (23 & 30 Gallon) ..... | 1    |
| 2                  | 00-821176-00002 | Pan Rack Assy. (Stationary) (40 Gallon) .....      | 1    |
| 3                  | 00-840382-00001 | Door Assy. (RH) (23 & 30 Gallon) .....             | 1    |
| 4                  | 00-840404-00001 | Door Assy. (RH) (40 Gallon) .....                  | 1    |
| 5                  | 00-881525       | Leg 6 In. Bullet Foot .....                        | 2    |
| 6                  | 00-821160-00001 | Panel – Inner (RH & LH, Auto Lift) .....           | 2    |
| 7                  | 00-821160-00001 | Panel – Inner (LH, Manual Lift) .....              | 1    |
| 8                  | 00-821162       | Panel – Inner (RH, Manual Lift) .....              | 1    |
| 9                  | 00-840385-00001 | Door Assy. (LH) (23 & 30 Gallon) .....             | 1    |
| 10                 | 00-840409-00001 | Door Assy. (LH) (40 Gallon) .....                  | 1    |
| 11                 | 00-840381-00001 | Door Assy. Center .....                            | 1    |
| 12                 | 00-881526       | Leg 6 In. Flanged Foot .....                       | 2    |
| 13                 | 00-840200-00011 | Panel – Rear (Alum.) .....                         | 2    |
| 14                 | 00-840200-00012 | Panel – Rear (SST) (23 & 30 Gallon) .....          | 2    |
| 15                 | 00-840403-00012 | Panel – Rear (SST) (40 Gallon) .....               | 2    |
| 16                 | 00-881536       | Side Panel .....                                   | 2    |
| 17                 | 00-840149-00001 | Shroud – Gas Heat Units (23 Gallon) .....          | 1    |
| 18                 | 00-821273       | Shroud – Gas Heat Units (30 Gallon) .....          | 1    |
| 19                 | 00-840332-00001 | Shroud – Gas Heat Units (40 Gallon) .....          | 1    |
| 20                 | 00-840027       | Shroud – Electric Heat Units (23 Gallon) .....     | 1    |
| 21                 | 00-840266       | Shroud – Electric Heat Units (30 Gallon) .....     | 1    |
| 22                 | 00-840334       | Shroud – Electric Heat Units (40 Gallon) .....     | 1    |
|                    | 00-821134-00002 | Pan Bearing Assy. (LH) .....                       | 1    |
|                    | 00-821134-00001 | Pan Bearing Assy. (RH) .....                       | 1    |
|                    | 00-842032-00011 | Hinge – Bottom .....                               | 1    |
|                    | 00-817797       | Bracket – Magnetic Latch .....                     | AR   |
|                    | 00-881761       | Catch – Magnetic .....                             | AR   |



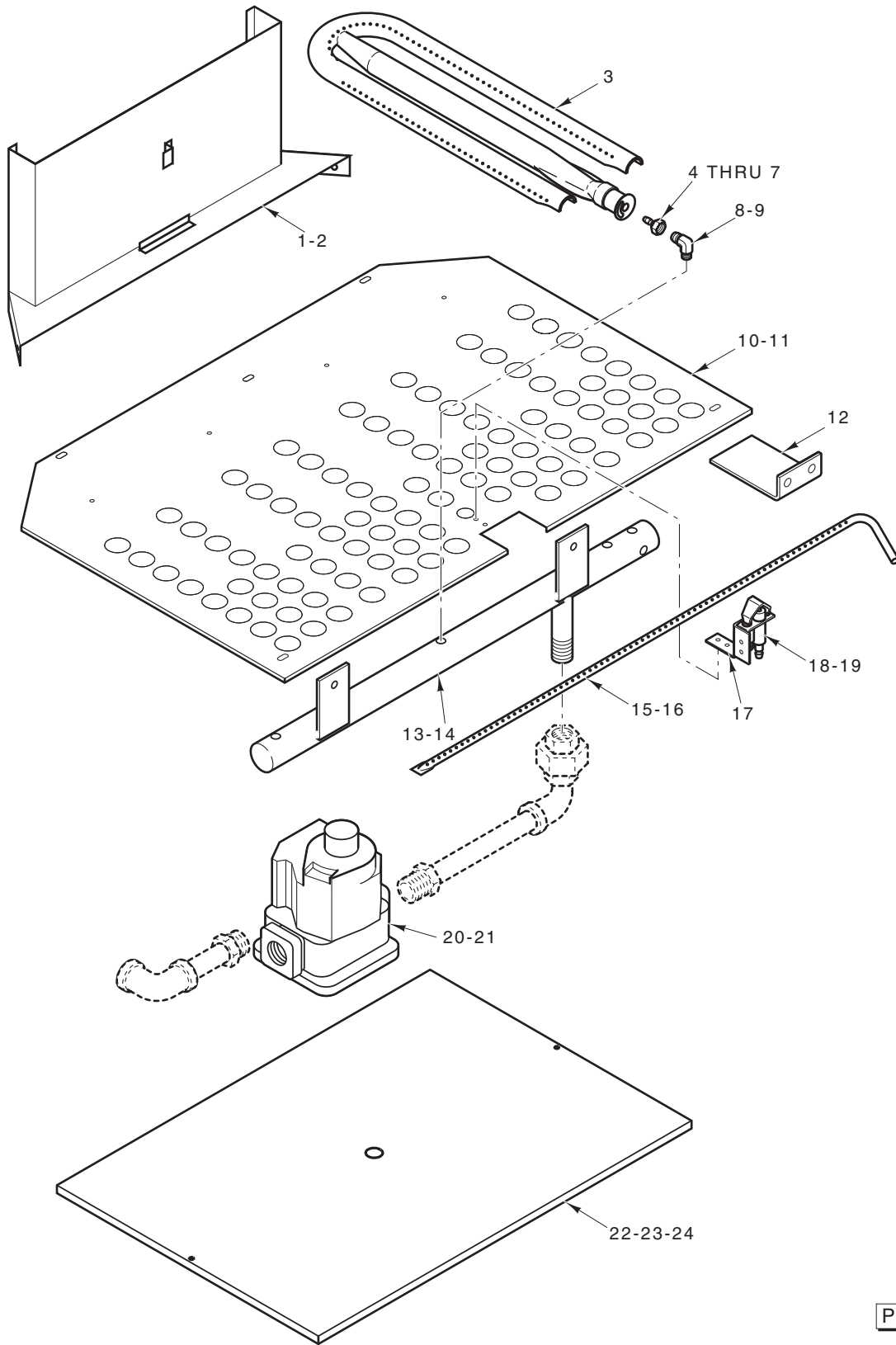
**LID ASSEMBLY**



LID ASSEMBLY

| ILLUS.   | PART NO.        | NAME OF PART  | AMT. |
|----------|-----------------|---|------|
| PL-56064 |                 |   |      |
| 1        | 00-821281       | Lid Assy. W/O Vent (30 Gallon) .....                            | 1    |
| 2        | 00-821269       | Lid Assy. W/O Vent (40 Gallon) .....                            | 1    |
| 3        | 00-358002       | Lid Assy. W/Vent (30 Gallon) .....                              | 1    |
| 4        | 00-358002-00002 | Lid Assy. W/Vent (40 Gallon) .....                              | 1    |
| 5        | 00-840012-00011 | Spring – Lid Torsion RH (23 & 30 Gallon) .....                  | 1    |
| 6        | 00-840012-00012 | Spring – Lid Torsion LH (23 & 30 Gallon) .....                  | 1    |
| 7        | 00-821134-00001 | Lid Support Assy. RH (30 & 40 Gallon) .....                     | 1    |
| 8        | 00-821264-00002 | Lid Support Assy. LH (30 & 40 Gallon) .....                     | 1    |
| 9        | 00-840014       | Mandrel – Lid Spring (23 & 30 Gallon) .....                     | 1    |
| 10       | 00-840340       | Mandrel – Lid Spring (40 Gallon) .....                          | 1    |
| 11       | 00-840013       | Lever – Spring Tension .....                                    | 1    |
| 12       | SC-047-08       | Set Screw 1/4-20 x 1/4 Soc. Hdls., Cup Pt. ....                 | 3    |
| 13       | 00-821296       | Bracket – Shroud Support (Electric Heat) (30 & 40 Gallon) ..... | 1    |
|          | 00-120054-00002 | Knob – Vent .....   | 1    |
|          | 00-358005       | Spring – Vent Cover .....                                       | 1    |
|          | WS-022-06       | Washer (SST) (Use with 358005) .....                            | 4    |
|          | NS-025-04       | Crown Nut 1/4-20 (SST)(Use with 358005) .....                   | 1    |
|          | 00-358004-00001 | Cover – Vent Weldment .....                                     | 1    |

GAS AND ELECTRIC TILTING BRAISING PAN REPLACEMENT PARTS



PL-56558

**GAS HEAT  
(STANDING PILOT)**

**GAS HEAT  
(STANDING PILOT)**

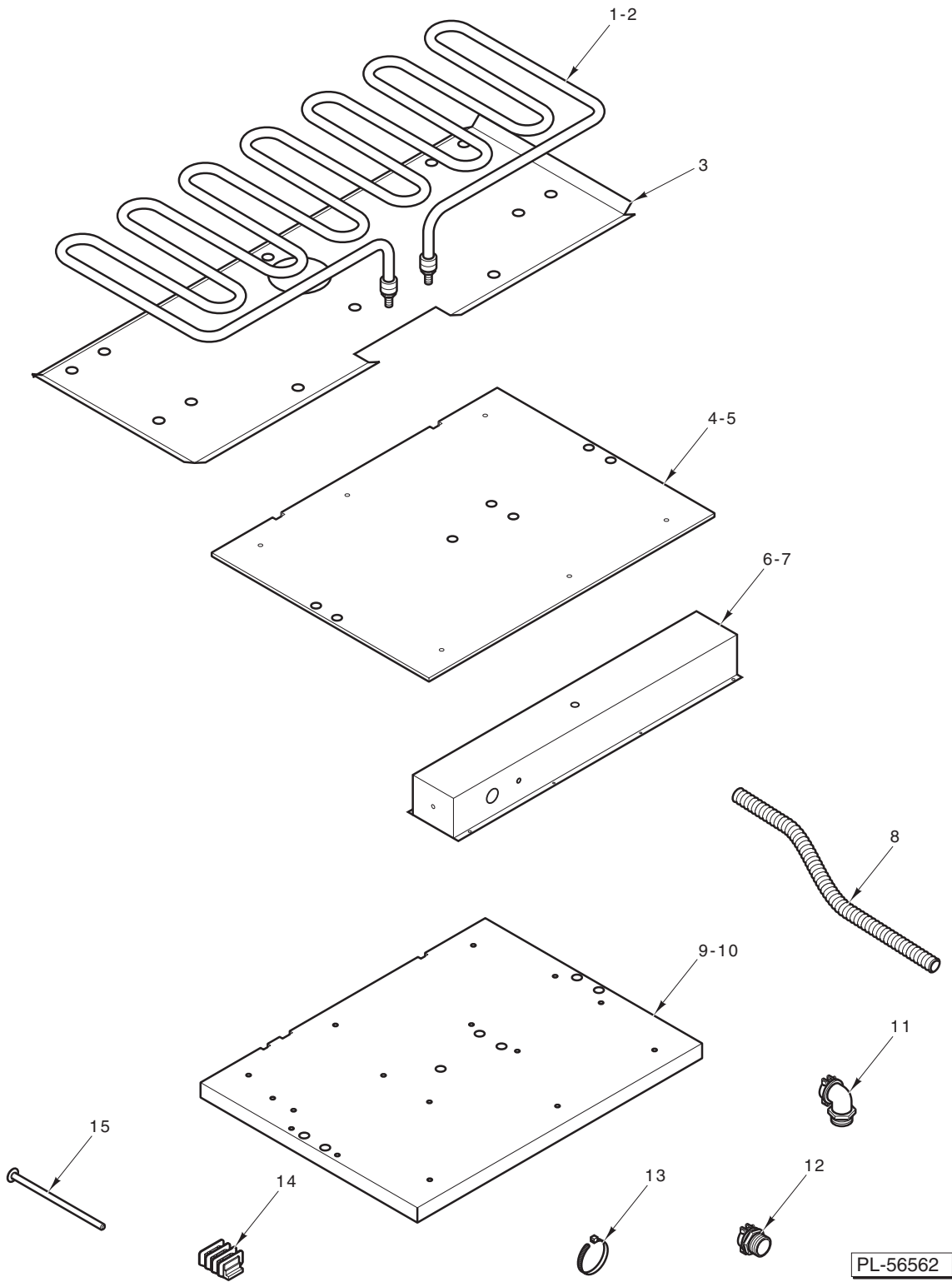
| ILLUS.<br>PL-56558 | PART NO.        | NAME OF PART  | AMT. |
|--------------------|-----------------|---|------|
| 1                  | 00-821228       | Flue Duct Assy. (23 & 30 Gallon) .....                        | 1    |
| 2                  | 00-821227       | Flue Duct Assy. (40 Gallon) .....                             | 1    |
| 3                  | 00-840144       | Burner & Air Shuttle Assy. ....                               | AR   |
| 4                  | 00-840096-00011 | Burner Fitting With Hood (Natural Gas) (23 Gallon) .....      | AR   |
| 5                  | 00-840096-00020 | Burner Fitting With Hood (Natural Gas) (30 & 40 Gallon) ..... | AR   |
| 6                  | 00-840096-00012 | Burner Fitting With Hood (Propane Gas) (23 Gallon) .....      | AR   |
| 7                  | 00-840096-00022 | Burner Fitting With Hood (Propane Gas) (30 & 40 Gallon) ..... | AR   |
| 8                  | 00-920186-00014 | Fitting – Runner Burner Orifice (Natural Gas) .....           | 1    |
| 9                  | 00-920186-00012 | Fitting – Runner Burner Orifice (Propane Gas) .....           | 1    |
| 10                 | 00-844406-00001 | Air Baffle – Secondary (23 & 30 Gallon) .....                 | 1    |
| 11                 | 00-844407-00001 | Air Baffle – Secondary (40 Gallon) .....                      | 1    |
| 12                 | 00-840176       | Guard – Pilot Flame .....                                     | 1    |
| 13                 | 00-840098       | Manifold (30 Gallon) .....                                    | 1    |
| 14                 | 00-840308       | Manifold (40 Gallon) .....                                    | 1    |
| 15                 | 00-840095-00001 | Runner Burner Weldment (23 & 30 Gallon) .....                 | 1    |
| 16                 | 00-840309-00001 | Runner Burner Weldment (40 Gallon) .....                      | 1    |
| 17                 | 00-840125       | Bracket – Pilot Mounting .....                                | 1    |
| 18                 | 00-840127-00011 | Pilot (Natural Gas) .....                                     | 1    |
| 19                 | 00-840127-00012 | Pilot (Propane Gas) .....                                     | 1    |
| 20                 | 00-840126-00011 | Valve – Combination (Natural Gas) .....                       | 1    |
| 21                 | 00-840126-00012 | Valve – Combination (Propane Gas) .....                       | 1    |
| 22                 | 00-840009       | Shield – Heat (Closed Frame Units) .....                      | 1    |
| 23                 | 00-840283       | Shield – Heat (Open Frame Units) (23 & 30 Gallon) .....       | 1    |
| 24                 | 00-840413       | Shield – Heat (Open Frame Units) (40 Gallon) .....            | 1    |
|                    | 00-840103       | Flue Duct – Rear (23 & 30 Gallon) .....                       | 1    |
|                    | 00-840317       | Flue Duct – Rear (40 Gallon) .....                            | 1    |
|                    | 00-840099       | Tube – Runner Burner Supply .....                             | 1    |
|                    | 00-840128       | Tube – Pilot Supply .....                                     | 1    |
|                    | 00-920040       | Thermocouple (23 & 30 Gallon) .....                           | 1    |
|                    | 00-880828       | Thermocouple (40 Gallon) .....                                | 1    |
|                    | 15-03-011       | Ground Lug .....  | 1    |
|                    | 00-821301       | Interlock Switch Actuator .....                               | 1    |
|                    | 00-997487       | Switch – Interlock (Microswitch) (23 & 30 Gallon) .....       | 1    |
|                    | PC-006-29       | Cotter Pin .....  | 1    |
|                    | 00-840313       | Support – Flue Collector (40 Gallon) .....                    | 1    |

**GAS HEAT (ELECTRONIC IGNITION)  
(FOR UNITS BEFORE S/N 271079585)**

| <b>ILLUS.</b> | <b>PART NO.</b> | <b>NAME OF PART</b>                | <b>AMT.</b> |
|---------------|-----------------|------------------------------------|-------------|
| 1             | 00-821075       | Transformer .....                  | 1           |
| 2             | 00-821076       | Harness – Wiring .....             | 1           |
| 3             | 00-821077       | Sensor – Flame .....               | 1           |
| 4             | 00-821078       | Module – Spark .....               | 1           |
| 5             | 00-821079       | Switch – Rocker – (24 V.) .....    | 1           |
| 6             | 00-821089-00001 | Orifice – Pilot (NAT) .....        | 1           |
| 7             | 00-821089-00002 | Orifice – Pilot (PRO) .....        | 1           |
| 8             | 00-821089-00003 | Orifice – Body (W/Electrode) ..... | 1           |
| 9             | 00-821080       | Valve – Gas (NAT) .....            | 1           |
| 10            | 00-821080-00001 | Valve – Gas (PRO) .....            | 1           |
| 11            | 00-817349       | Light Amber (24 V.) .....          | 1           |

**GAS HEAT (ELECTRONIC IGNITION)  
(FOR UNITS STARTING WITH S/N 271079585)**

| ILLUS. | PART NO.        | NAME OF PART   | AMT. |
|--------|-----------------|--|------|
| 1      | 00-844133-00003 | Valve – Gas (NAT) (5 In. W.C.) .....                           | 1    |
| 2      | 00-844133-00002 | Valve – Gas (PRO) (10 In. W.C.) .....                          | 1    |
| 3      | 00-417980-00001 | Module Ignition – Control .....                                | 1    |
| 4      | 00-844130-00002 | Burner Cable Pilot (36 In. Lg.) .....                          | 1    |
| 5      | 00-844129-00001 | Pilot Body W/Natural Gas Orifice .....                         | 1    |
| 6      | 00-844129-00002 | Pilot Body W/Propane Gas Orifice .....                         | 1    |
| 7      | 00-854894-00001 | Valve – Splash Sheild .....                                    | 1    |
| 8      | SD-026-09       | Self-Tapping Screw, 10-16 X 1/2 Phil. Truss Hd., Type AB ..... | 2    |
| 9      | FP-059-10       | Pipe 1/2 X 3 .....   | 1    |
| 10     | FP-026-20       | Reducing Bushing 3/4 X 1/2 NPT .....                           | 2    |
| 11     | 00-851166       | Bushing – Pilot Mounting .....                                 | 1    |
| 12     | FE-024-04       | Bushing – Electric Snap .....                                  | 1    |

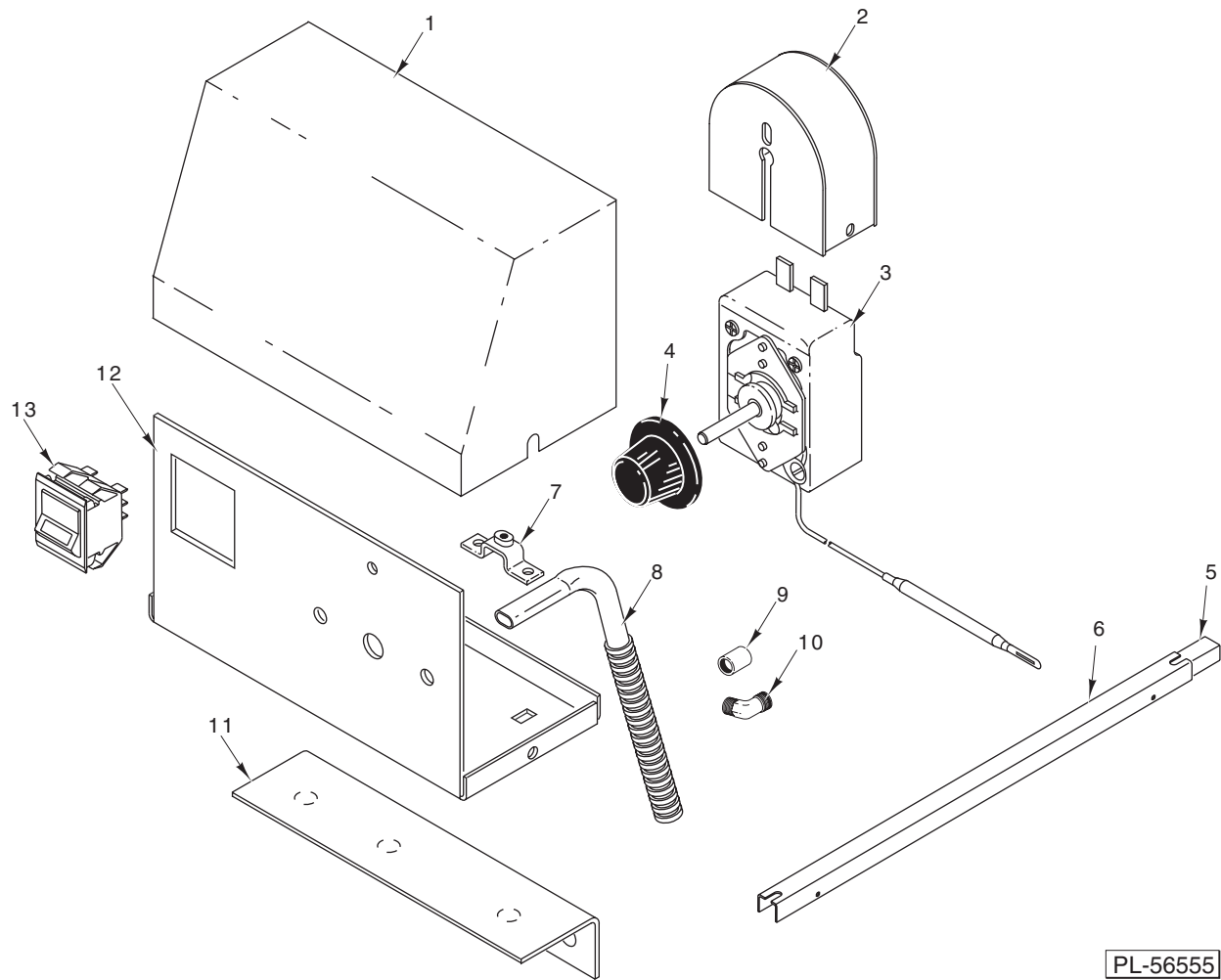


PL-56562

**ELECTRIC HEAT**

## ELECTRIC HEAT

| ILLUS.   | PART NO.        | NAME OF PART                                  | AMT. |
|----------|-----------------|---|------|
| PL-56562 |                 |   |      |
| 1        | 00-840033-00011 | Element – Electric Heating (240/208 V.) ..... | AR   |
| 2        | 00-840033-00012 | Element – Electric Heating (480/440 V.) ..... | AR   |
| 3        | 00-359814-00001 | Retainer – Element .....                      | AR   |
| 4        | 00-840090       | Insulation – Element (23 & 30 Gallon) .....   | 1    |
| 5        | 00-541317       | Insulation – Element (40 Gallon) .....        | 1    |
| 6        | 00-840091       | Channel – Wire (23 & 30 Gallon) .....         | 1    |
| 7        | 00-840337       | Channel – Wire (40 Gallon) .....              | 1    |
| 8        | 00-840205       | Conduit – Flexible $\frac{3}{4}$ In. ....     | 1    |
| 9        | 00-840092       | Cover – Element (23 & 30 Gallon) .....        | 1    |
| 10       | 00-840314       | Cover – Element (40 Gallon) .....             | 1    |
| 11       | 00-840206       | Connector 90 Deg. $\frac{3}{4}$ In. ....      | 1    |
| 12       | 00-840207       | Connector $\frac{3}{4}$ In. Straight .....    | 1    |
| 13       | 00-840230       | Clamp – Wire .....                            | 3    |
| 14       | 00-410472-00008 | Block – Terminal .....                        | 1    |
| 15       | 00-821301       | Actuator Assy. – Interlock Switch .....       | 1    |
|          | 00-840115       | Contact – Magnetic .....                      | AR   |
|          | FE-023-88       | Lug – Ground (70 Amp.) .....                  | 1    |
|          | FE-023-68       | Lug – Ground (35 Amp.) .....                  | 1    |
|          | 00-997487       | Switch – Interlock (Microswitch) .....        | 1    |

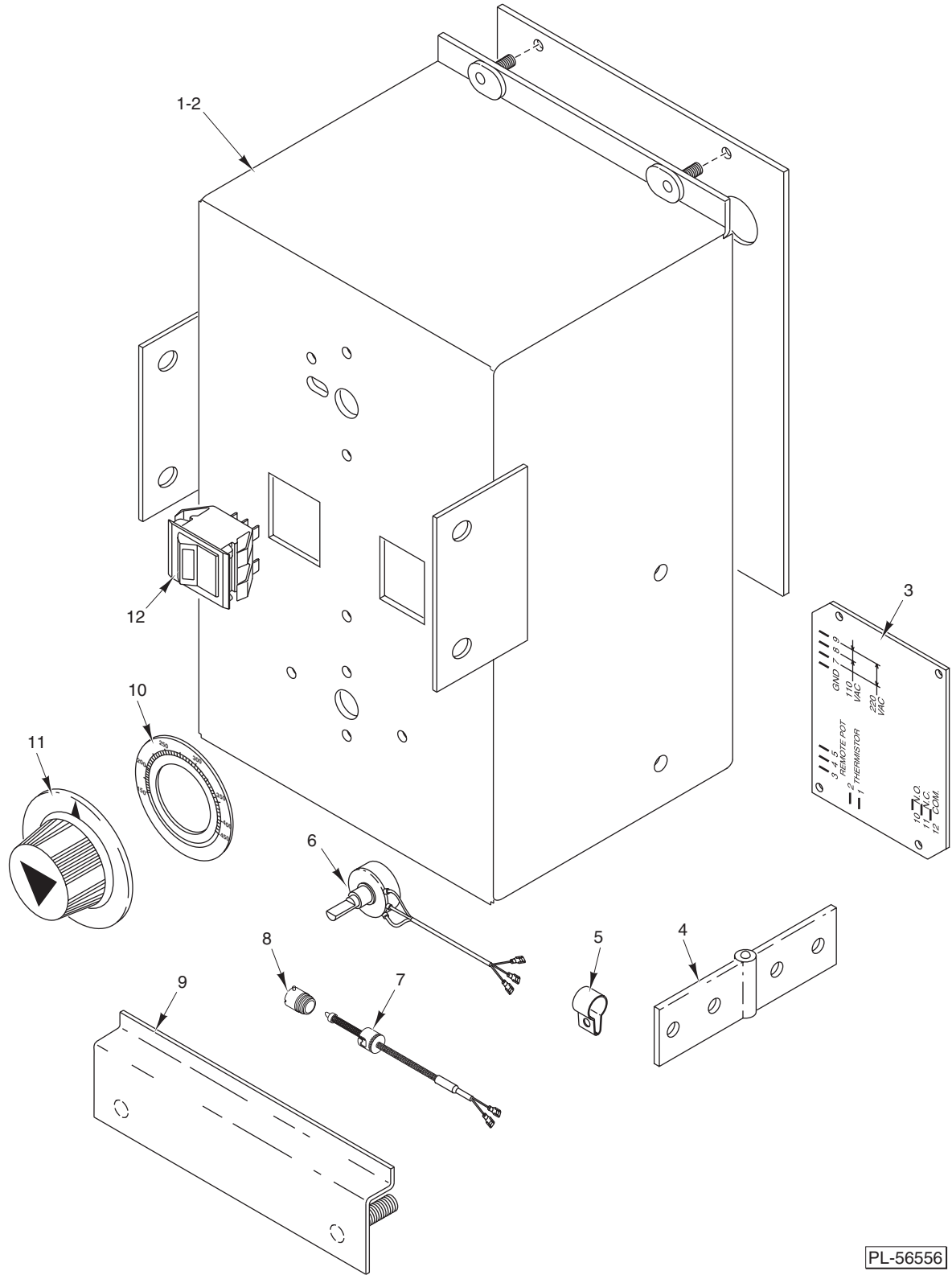


**THERMOSTAT TEMPERATURE CONTROL**



**THERMOSTAT TEMPERATURE CONTROL**

| ILLUS.   | PART NO.        | NAME OF PART   | AMT. |
|----------|-----------------|--|------|
| PL-56555 |                 |  |      |
| 1        | 00-840111-00001 | Cover – Thermostat Box .....   | 1    |
| 2        | 00-840259-00001 | Box – Timer .....  | 1    |
| 3        | 00-810071       | Thermostat .....   | 1    |
| 4        | 00-840192       | Knob – Thermostat .....  | 1    |
| 5        | 00-821047       | Insulation – Thermostat Bulb .....   | 1    |
| 6        | 00-810039       | Clamp – Thermostat Bulb .....  | 1    |
| 7        | 00-840041-00001 | Clamp – Thermostat Conduit .....   | 1    |
| 8        | 00-840068-00001 | Thermostat Conduit Assy. (Flexible) .....  | 1    |
| 9        | 00-840076       | Connector <sup>3</sup> / <sub>8</sub> In. Straight for Flexible Conduit (Gas Heat Units) .....     | 1    |
| 10       | 00-840228       | Connector <sup>3</sup> / <sub>8</sub> In. 90 Deg. for Flexible Conduit (Electric Heat Units) ..... | 1    |
| 11       | 00-840182       | Bracket – Thermostat Box Mounting .....  | 1    |
| 12       | 00-840178       | Box – Thermostat .....   | 1    |
| 13       | 00-881579       | Switch – On/Off .....  | 1    |
|          | 00-880108       | Timer – Manual .....   | 1    |

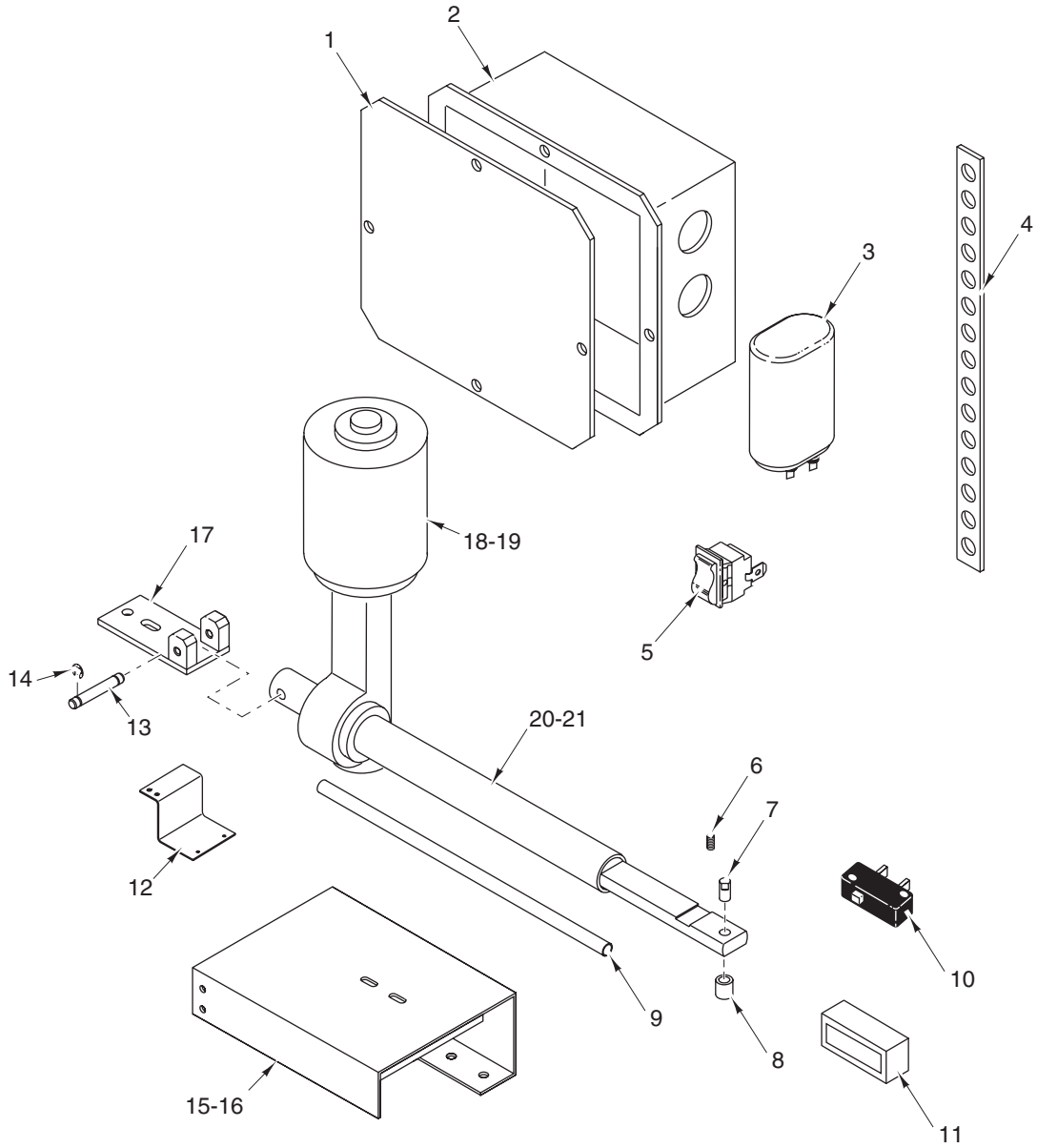


PL-56556

**SOLID STATE TEMPERATURE CONTROL (OPTION)**

**SOLID STATE TEMPERATURE CONTROL (OPTION)**

| ILLUS.   | PART NO.        | NAME OF PART   | AMT. |
|----------|-----------------|--|------|
| PL-56556 |                 |  |      |
| 1        | 00-840417-00001 | Box Assy. – Control (Solid State).....                   | 1    |
| 2        | 00-840417-00002 | Box Assy. – Control (Solid State W/Electric Timer) ..... | 1    |
| 3        | 00-358512-00001 | Controller – Solid State .....                           | 1    |
| 4        | 00-881809       | Hinge – Solid State Control Box .....                    | 2    |
| 5        | 00-336442-00001 | Clamp – Bulb .....                                       | 1    |
| 6        | 00-819001       | Remote Set Pot .....                                     | 1    |
| 7        | 00-810125       | Probe – Thermistor .....                                 | 1    |
| 8        | 00-808230       | Fitting – Baynot .....                                   | 1    |
| 9        | 00-840227       | Plate – Cover .....                                      | 1    |
| 10       | 00-810142       | Dial – Solid State Control .....                         | 1    |
| 11       | 00-821293       | Knob – Solid State Control .....                         | 1    |
| 12       | 00-881579       | Switch – On/Off .....                                    | 1    |

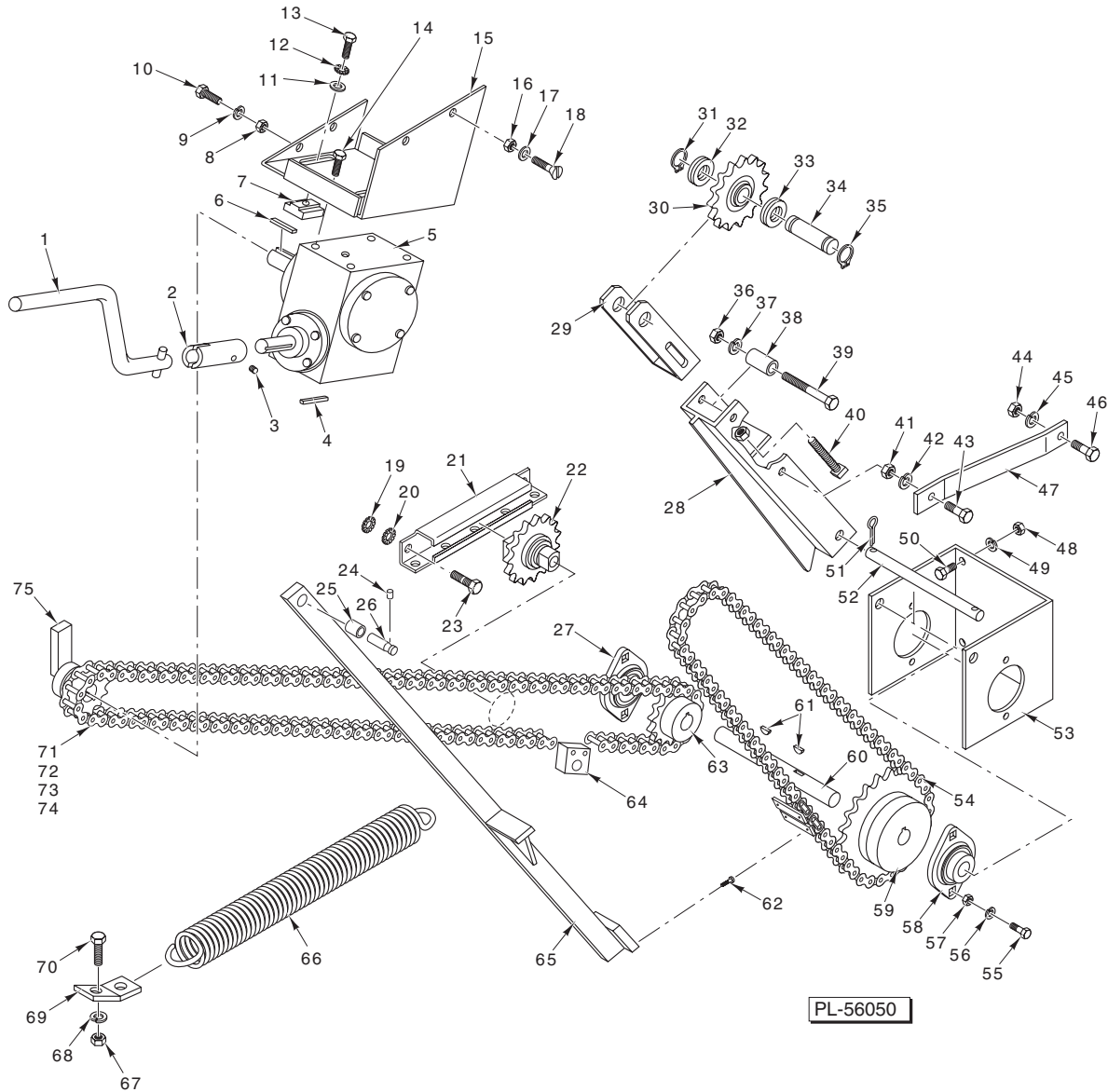


PL-56154

**POWER LIFT**

**POWER LIFT**

| ILLUS.<br>PL-56154 | PART NO.        | NAME OF PART  | AMT. |
|--------------------|-----------------|---|------|
| 1                  | 00-840439       | Cover – Capacitor Box .....                               | 1    |
| 2                  | 00-821041       | Box Assy. – Capacitor .....                               | 1    |
| 3                  | 00-840078-00012 | Capacitor – Power Lift Actuator .....                     | 1    |
| 4                  | 00-840438       | Strap – Hold Down, Capacitor .....                        | 2    |
| 5                  | 00-821069       | Switch – Power Lift (UP/DN) .....                         | 1    |
| 6                  | SC-047-08       | Set Screw 1/4-20 x 1/4 Soc. Hdls., Cup Pt. ....           | 1    |
| 7                  | 00-840045       | Pin – Pan Lift .....                                      | 1    |
| 8                  | 00-840279       | Bearing – Lift Assist Bar .....                           | 1    |
| 9                  | 00-840195       | Sleeve – Lid Switch .....                                 | 1    |
| 10                 | 00-860852       | Microswitch (Lid) .....                                   | 1    |
| 11                 | 00-840196       | Enclosure – Lid Switch .....                              | 1    |
| 12                 | 00-840193       | Bracket – Lid Switch .....                                | 1    |
| 13                 | 00-840086       | Pin – Actuator .....                                      | 1    |
| 14                 | 00-840087       | Retaining Ring – Actuator .....                           | 2    |
| 15                 | 00-840083-00001 | Support Assy. – Actuator (Previous Construction) .....    | 1    |
| 16                 | 00-821188       | Support Weldment – Actuator (Current Construction) .....  | 1    |
| 17                 | 00-840100-00001 | Mounting Assy. – Actuator .....                           | 1    |
| 18                 | 00-840078-00011 | Motor – Power Lift Actuator (Previous Construction) ..... | 1    |
| 19                 | 00-821206-00001 | Motor – Power Lift Actuator (Current Construction) .....  | 1    |
| 20                 | 00-840078-00001 | Actuator Assy. – Power Lift (Previous Construction) ..... | 1    |
| 21                 | 00-844312-00001 | Actuator Assy. – Power Lift (Current Construction) .....  | 1    |

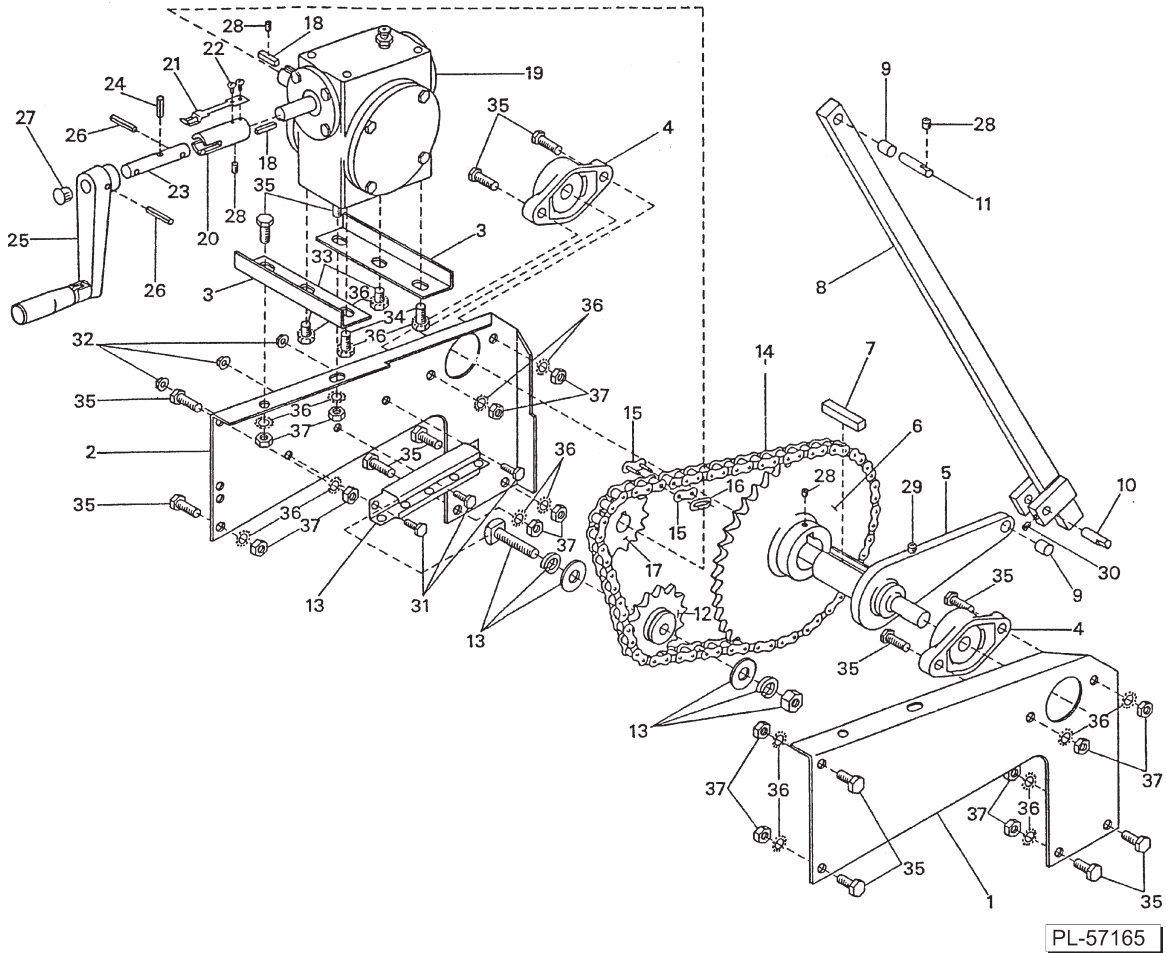


**MANUAL LIFT  
(PREVIOUS CONSTRUCTION)**

| ILLUS.   | PART NO.        | NAME OF PART                                    | AMT. |
|----------|-----------------|---|------|
| PL-56050 |                 |   |      |
| 1        | 00-840140-00001 | Handle Assy. – Crank (Models G-40 or E-40 only) | 1    |
| 2        | 00-840141       | Reducer Coupling – Handling                     | 1    |
| 3        | 10-30-041       | Set Screw 1/4-20 x 1/4 Lg.                      | 2    |
| 4        | 10-48-005       | Key – Square                                    | 1    |
| 5        | 00-840075       | Reducer – Gear                                  | 1    |
| 6        | 10-48-005       | Key – Square                                    | 1    |
| 7        | 00-821004-00002 | Reducer Stop – Strike Gear                      | 1    |
| 8        | 10-21-030       | Nut 3/8-16 Hex                                  | 11   |
| 9        | 10-26-048       | Lockwasher 3/8                                  | 11   |
| 10       | 10-01-178       | Mach. Screw 3/8-16 x 7/8 Hex Hd.                | 5    |
| 11       | 10-26-008       | Washer 3/8                                      | 2    |
| 12       | 10-26-049       | Lockwasher External Shakeproof 1/2              | 1    |
| 13       | 10-01-178       | Mach. Screw 3/8-16 x 7/8 Hex Hd.                | 5    |
| 14       | 10-02-175       | Mach. Screw 3/8-16 x 1/2 Hex Hd. (SST)          | 4    |
| 15       | 00-840074       | Bracket – Reducer Support                       | 1    |

**MANUAL LIFT (Cont.)  
(PREVIOUS CONSTRUCTION)**

| ILLUS.<br>PL-56050 | PART NO.        | NAME OF PART  | AMT. |
|--------------------|-----------------|---|------|
| 16                 | 10-21-030       | Nut $\frac{3}{8}$ -16 Hex .....                             | 11   |
| 17                 | 10-26-048       | Lockwasher $\frac{3}{8}$ .....                              | 11   |
| 18                 | 10-07-178       | Mach. Screw $\frac{3}{8}$ -16 x $\frac{7}{8}$ Flat Hd. .... | 2    |
| 19                 | 10-22-028       | Lockwasher External Star $\frac{5}{16}$ .....               | 2    |
| 20                 | 10-27-047       | Lockwasher External Star $\frac{5}{16}$ .....               | 2    |
| 21                 | 00-821003       | Bracket – Chain Tightener .....                             | 1    |
| 22                 | 00-821002       | Sprocket – Chain Tightener .....                            | 1    |
| 23                 | 10-02-127       | Mach. Screw $\frac{5}{16}$ -18 Hex Hd. (SST) .....          | 1    |
| 24                 | 10-30-041       | Set Screw $\frac{1}{4}$ -20 x $\frac{1}{4}$ .....           | 2    |
| 25                 | 00-840279       | Bearing – Lift Assist Bar .....                             | 1    |
| 26                 | 00-840045       | Pin – Pan Lift .....  | 2    |
| 27                 | 00-840063       | Bearing – Lower .....                                       | 2    |
| 28                 | 00-821022       | Support Weldment .....                                      | 1    |
| 29                 | 00-840432-00001 | Take Up Assy. ....  | 1    |
| 30                 | 00-840046       | Sprocket – Driven Lift (15 Teeth) .....                     | 1    |
| 31                 | 00-840050       | Ring – Retaining .....                                      | 2    |
| 32                 | 00-840051       | Spacer – Driven Sprocket .....                              | 4    |
| 33                 | 00-840051       | Spacer – Driven Sprocket .....                              | 4    |
| 34                 | 00-840049       | Shaft – Driver Sprocket .....                               | 1    |
| 35                 | 00-840050       | Ring – Retaining .....                                      | 2    |
| 36                 | 10-21-030       | Nut $\frac{3}{8}$ -16 Hex .....                             | 11   |
| 37                 | 10-26-048       | Lockwasher $\frac{3}{8}$ .....                              | 11   |
| 38                 | 00-840053       | Spacer – Take Up .....                                      | 1    |
| 39                 | 10-01-190       | Mach. Screw 2 Lg. Hex Hd. ....                              | 1    |
| 40                 | 10-32-002       | Set Screw 2 In. Lg. Sq. Hd. ....                            | 1    |
| 41                 | 10-21-030       | Hex Nut $\frac{3}{8}$ -16 .....                             | 11   |
| 42                 | 10-26-048       | Lockwasher $\frac{3}{8}$ .....                              | 11   |
| 43                 | 10-01-178       | Mach. Screw $\frac{3}{8}$ -16 x $\frac{7}{8}$ Hex Hd. ....  | 5    |
| 44                 | 10-21-030       | Nut $\frac{3}{8}$ -16 Hex .....                             | 11   |
| 45                 | 10-26-048       | Lockwasher $\frac{3}{8}$ .....                              | 11   |
| 46                 | 10-01-178       | Mach. Screw $\frac{3}{8}$ -16 x $\frac{7}{8}$ Hex Hd. ....  | 5    |
| 47                 | 00-840058       | Tie Bar .....   | 1    |
| 48                 | 10-21-030       | Nut $\frac{3}{8}$ -16 Hex .....                             | 11   |
| 49                 | 10-26-048       | Lockwasher $\frac{3}{8}$ .....                              | 11   |
| 50                 | 10-01-177       | Mach. Screw $\frac{3}{8}$ -16 x $8\frac{3}{4}$ Hex Hd. .... | 4    |
| 51                 | 10-42-044       | Cotter Pin .....  | 2    |
| 52                 | 00-821025       | Bar – Support .....   | 1    |
| 53                 | 00-821023       | Bracket – Support .....                                     | 1    |
| 54                 | 00-840065-00001 | Chain – $\frac{5}{8}$ Pitch (62 Linds) .....                | 1    |
| 55                 | 10-01-081       | Mach Screw $\frac{1}{4}$ -20 x $\frac{3}{4}$ Hex Hd. ....   | 4    |
| 56                 | 10-26-046       | Lockwasher $\frac{1}{4}$ .....                              | 4    |
| 57                 | 10-21-026       | Nut $\frac{1}{4}$ -20 Hex .....                             | 4    |
| 58                 | 00-840063       | Bearing – Lower .....                                       | 2    |
| 59                 | 00-840060       | Sprocket – Driver (24 Teeth) .....                          | 1    |
| 60                 | 00-840061       | Shaft – Driver Sprocket .....                               | 1    |
| 61                 | 10-50-010       | Key – Woodruff #606 .....                                   | 2    |
| 62                 | 10-11-047       | Cap Screw 24 x $\frac{3}{8}$ Lg. ....                       | 4    |
| 63                 | 00-840134       | Reducer Sprocket – Driven (13 Teeth) .....                  | 1    |
| 64                 | 00-840177       | Connector – Spring .....                                    | 1    |
| 65                 | 00-840210-00001 | Bar Assy. – Lift Assist .....                               | 2    |
| 66                 | 00-840064       | Spring – Extension .....                                    | 1    |
| 67                 | 10-21-030       | Nut $\frac{3}{8}$ -16 Hex .....                             | 11   |
| 68                 | 10-26-048       | Lockwasher $\frac{3}{8}$ .....                              | 11   |
| 69                 | 00-821026       | Retainer – Extension Spring .....                           | 11   |
| 70                 | 10-01-178       | Mach. Screw $\frac{3}{8}$ -16 x $\frac{7}{8}$ Hex Hd. ....  | 5    |
| 71                 | 00-821001-00001 | Chain – #50 Roller .....                                    | 1    |
| 72                 | 00-840065-00012 | Link – Connecting .....                                     | AR   |
| 73                 | 00-840065-00013 | Link – Roller .....   | AR   |
| 74                 | 00-840065-00014 | Link – Connecting (Attachment) .....                        | AR   |
| 75                 | 00-821019       | Stop Assy. – Sprocket .....                                 | 1    |

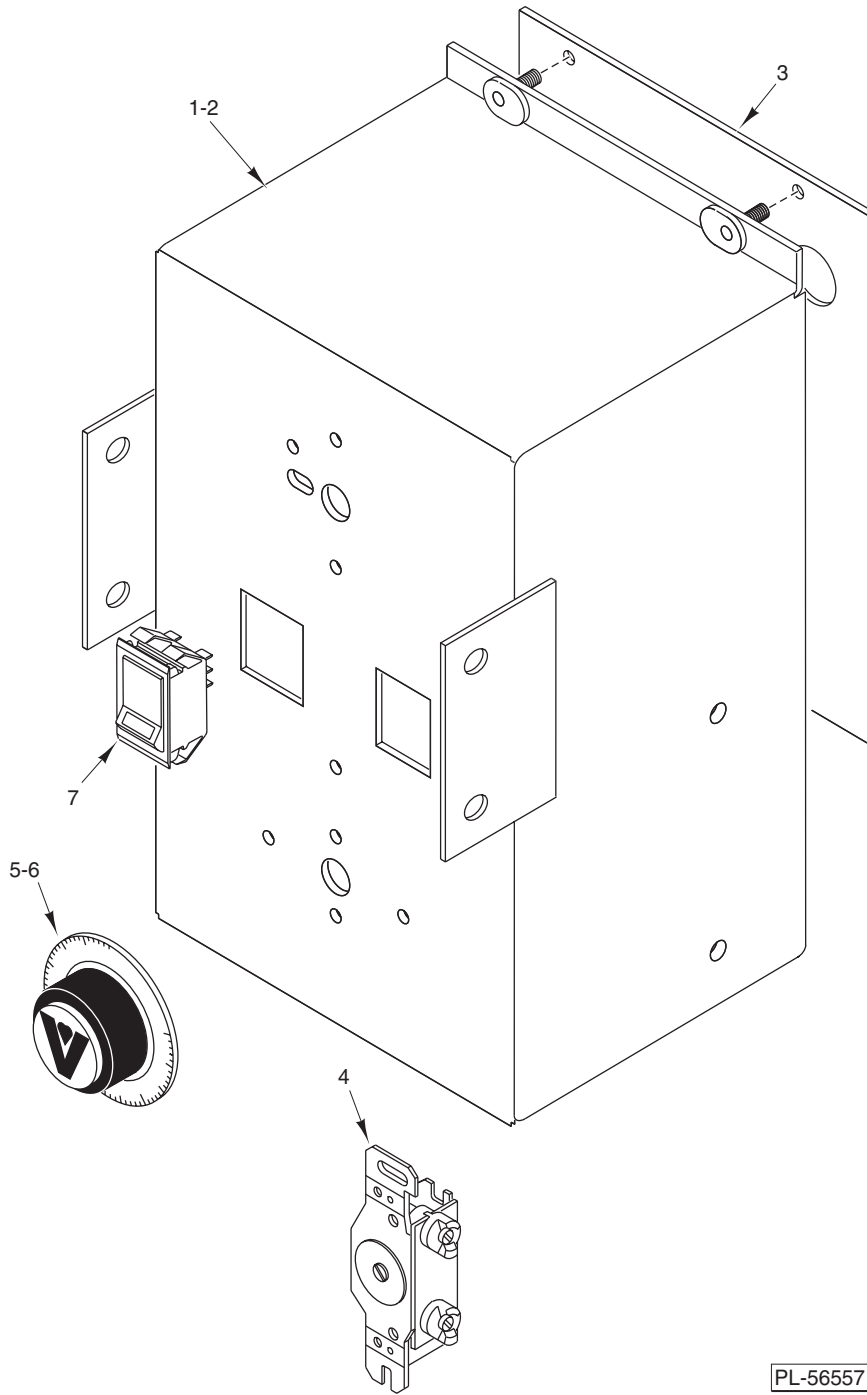


**MANUAL LIFT  
(CURRENT CONSTRUCTION)**



**MANUAL LIFT  
(CURRENT CONSTRUCTION)**

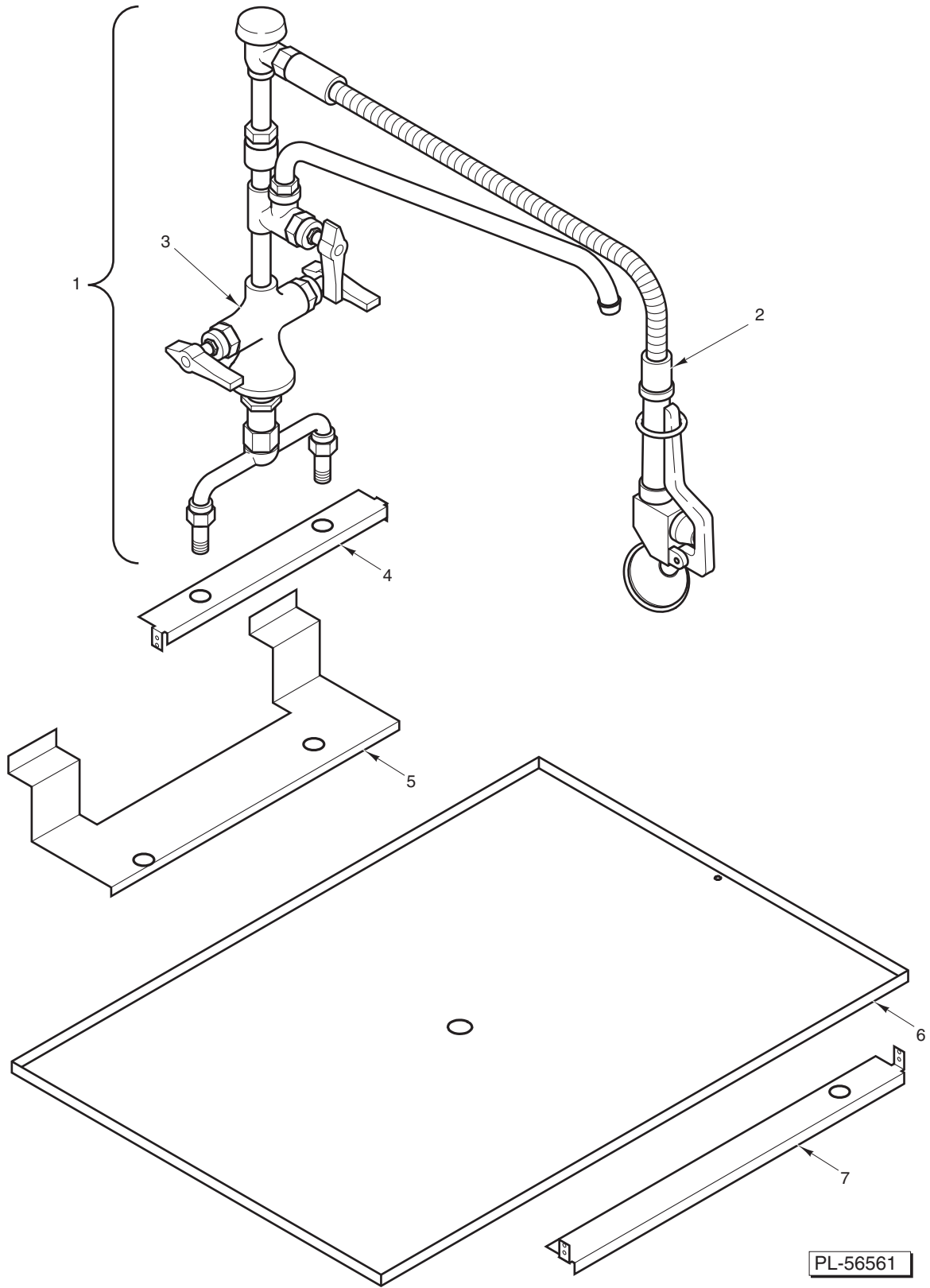
| ILLUS.<br>PL-57165 | PART NO.        | NAME OF PART                                    | AMT. |
|--------------------|-----------------|---|------|
| 1                  | 00-821147       | Bracket – Gear Reducer (RH) .....               | 1    |
| 2                  | 00-821148       | Bracket – Gear Reducer (LH) .....               | 1    |
| 3                  | 00-821146       | Top Bracket – Gear Reducer .....                | 2    |
| 4                  | 00-821169       | Bearing – Driven Sprocket .....                 | 2    |
| 5                  | 00-821304       | Weldment – Lever Arm .....                      | 1    |
| 6                  | 00-821141       | Weldment – Driven Sprocket .....                | 1    |
| 7                  | 00-012430       | Key Driven Sprocket .....                       | 1    |
| 8                  | 00-821118       | Skillet Lift Link Weldment .....                | 1    |
| 9                  | 00-840279       | Bearing .....                                   | 2    |
| 10                 | 00-821164       | Pin – Lever Arm .....                           | 1    |
| 11                 | 00-840045       | Pin – Pan Lift .....                            | 1    |
| 12                 | 00-821002       | Sprocket Chain Idler .....                      | 1    |
| 13                 | 00-821003       | Chain Tightener Assy. ....                      | 1    |
| 14                 | 00-821156-00001 | Chain Skillet Lift .....                        | 1    |
| 15                 | 00-821001-00002 | Link Offset Connecting .....                    | 1    |
| 16                 | 00-840065-00012 | Spring Clip Coupling .....                      | 1    |
| 17                 | 00-840059       | Sprocket – Reducer .....                        | 1    |
| 18                 | 00-012430       | Key .....                                       | 2    |
| 19                 | 00-821207       | Gear Reducer .....                              | 1    |
| 20                 | 00-840141       | Handle & Reducer Coupling .....                 | 1    |
| 21                 | 00-821302       | Hand Crank Release Clip .....                   | 1    |
| 22                 | SC-118-23       | Mach. Screw 8-24 X 1/4 Pan Hd. ....             | 2    |
| 23                 | 00-821159       | Crank Handle Shaft .....                        | 1    |
| 24                 | 00-911046-00051 | Roll Pin 1/4 Dia. X 13/16 Lg. ....              | 1    |
| 25                 | 00-821294       | Retractable Crank Handle .....                  | 1    |
| 26                 | RP-002-46       | Roll Pin 1/4 Dia. X 1 1/4 Lg. ....              | 2    |
| 27                 | PB-004-09       | Black Nylon – Hole Plug 5/8 .....               | 1    |
| 28                 | SC-047-08       | Set Screw 1/4-20 X 1/4 Hex Hdls., Cup Pt. ....  | 5    |
| 29                 | SC-047-34       | Set Screw 3/16-18 X 1/2 Hex Hdls., Cup Pt. .... | 1    |
| 30                 | SC-047-02       | Set Screw 10-24 X 1/4 Hex Hdls., Cup Pt. ....   | 1    |
| 31                 | SC-036-04       | Mach. Screw 1/4 X 20 X 3/4 Hex Hd. ....         | 3    |
| 32                 | NS-038-08       | 1/4-20 Flanged Hex .....                        | 3    |
| 33                 | SC-067-15       | Mach. Screw 3/8-16 X 1/2 Hex Hd. ....           | 2    |
| 34                 | SC-037-71       | Cap Screw 3/8-16 X 3/4 Hex Hd. ....             | 2    |
| 35                 | SC-036-55       | Cap Screw 3/8-16 X 1 Hex Hd. ....               | 14   |
| 36                 | WL-007-24       | Lockwasher 3/8 External .....                   | 18   |
| 37                 | NS-013-22       | Lock Nut 3/8-16 Hex .....                       | 14   |



**ELECTRIC TIMER (OPTION)**

**ELECTRIC TIMER (OPTION)**

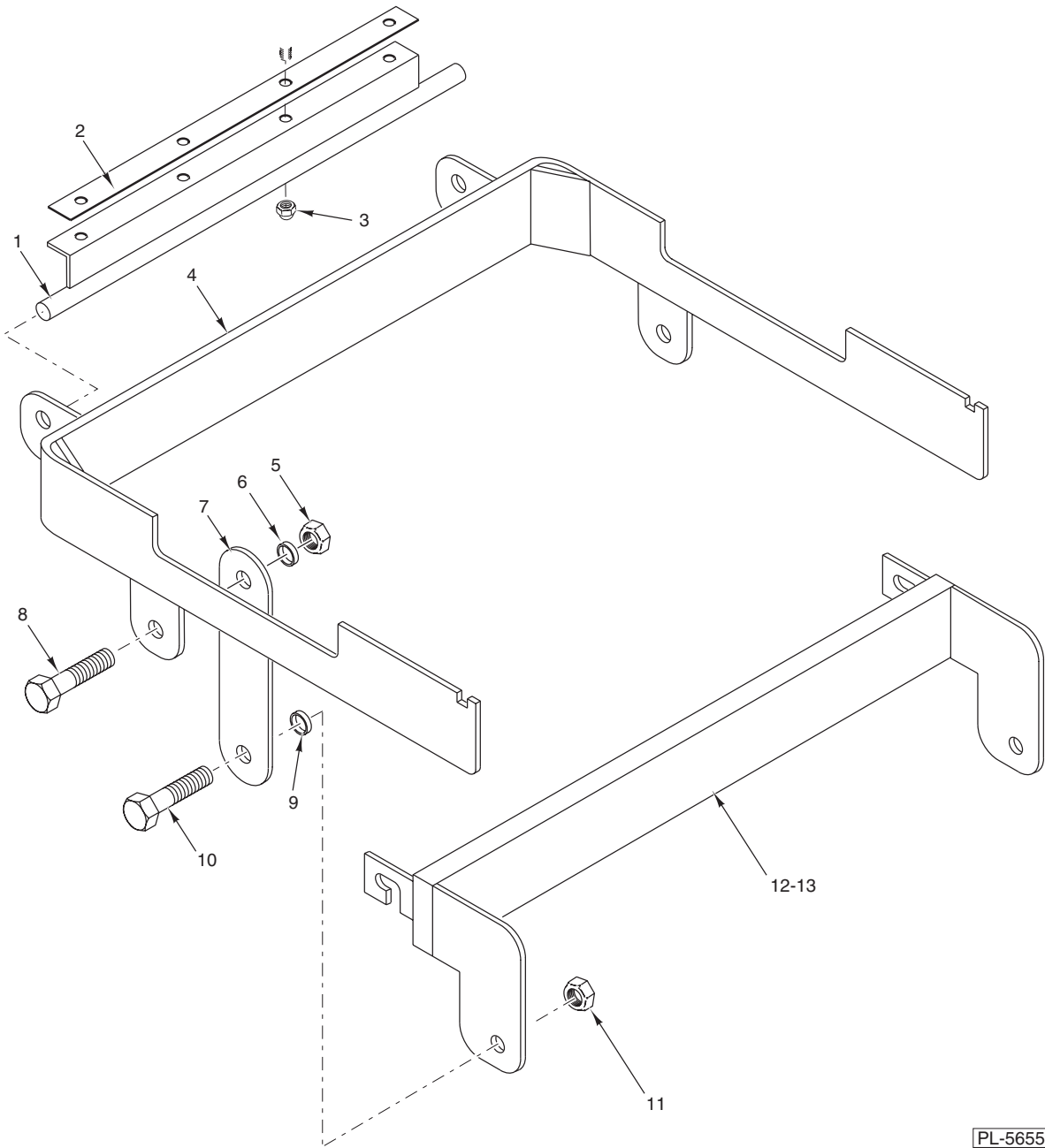
| ILLUS.   | PART NO.        | NAME OF PART   | AMT. |
|----------|-----------------|--|------|
| PL-56557 |                 |  |      |
| 1        | 00-840178       | Box Assy. (Electric Timer) .....   | 1    |
| 2        | 00-840417-00002 | Box Assy. (Unit With Electric Timer and Solid State Temperature Control Options) ..... | 1    |
| 3        | 00-840181       | Back – Box (Electric Timer) .....  | 1    |
| 4        | 00-880009       | Buzzer – Electric .....  | 1    |
| 5        | 00-881669-00010 | Knob – Timer .....   | 1    |
| 6        | 00-881601       | Timer (60 min.) .....  | 1    |
| 7        | 00-920631       | Switch – Push Button .....   | 1    |



**SPRAY HOSE WITH FAUCET (OPTION)**

**SPRAY HOSE WITH FAUCET (OPTION)**

| ILLUS.<br>PL-56561 | PART NO.        | NAME OF PART  | AMT. |
|--------------------|-----------------|---|------|
| 1                  | 00-840203-00001 | Spray Hose Assy. W/Faucet .....   | 1    |
| 2                  | 00-911187-00004 | Spray Head W/Flexible Stainless Steel Hose 72 In. Lg. ....              | 2    |
| 3                  | 00-911187-00003 | Faucet – Hot/Cold Mixing .....  | 1    |
| 4                  | 00-840356       | Bracket – Faucet Mounting (23 & 30 Gallon, Closed Frame) .....          | 1    |
| 5                  | 00-840378       | Bracket – Faucet Mounting (Open Frame) .....                            | 1    |
| 6                  | 00-840009       | Shield – Heat (Used as Storage Pan for Spray Hose, Electric Heat) ..... | 1    |
| 7                  | 00-840402       | Bracket – Faucet Mounting (40 Gallon, Closed Frame) .....               | 1    |



PL-56554

**ARTICULATED PAN HOLDER (OPTION)**

**ARTICULATED PAN HOLDER (OPTION)**

| ILLUS.   | PART NO.        | NAME OF PART  | AMT. |
|----------|-----------------|---|------|
| PL-56554 |                 |   |      |
| 1        | 00-840212-00001 | Top Pivot Weldment .....  | 1    |
| 2        | 00-840287       | Gasket – Top Pivot Bracket .....  | 1    |
| 3        | NS-024-26       | Crown Nut 10-24 .....   | 4    |
| 4        | 00-840215-00001 | Frame – Pan Holding, Weldment .....   | 1    |
| 5        | NS-046-09       | Stop Nut Special <sup>3</sup> / <sub>8</sub> -16 (SST) .....                                | 2    |
| 6        | 00-840224       | Spacer – Pivot .....  | 2    |
| 7        | 00-840223       | Link – Fulcrum .....  | 2    |
| 8        | SC-041-28       | Cap Screw <sup>3</sup> / <sub>8</sub> -16 x <sup>3</sup> / <sub>4</sub> Hex Hd. (SST) ..... | 2    |
| 9        | 00-840224       | Spacer – Pivot .....  | 2    |
| 10       | SC-041-28       | Cap Screw <sup>3</sup> / <sub>8</sub> -16 x <sup>3</sup> / <sub>4</sub> Hex Hd. (SST) ..... | 2    |
| 11       | NS-046-09       | Stop Nut Special <sup>3</sup> / <sub>8</sub> -16 (SST) .....                                | 2    |
| 12       | 00-840219-00001 | Bracket – Frame Fulcrum, Weldment (G/E23, 30) .....   | 1    |
| 13       | 00-840420-00001 | Bracket – Frame Fulcrum, Weldment (G/E40) .....   | 1    |

**OTHER OPTIONS**

| <b>ILLUS.</b> | <b>PART NO.</b> | <b>NAME OF PART</b>  | <b>AMT.</b> |
|---------------|-----------------|--|-------------|
| PL-56591      |                 |  |             |
| 1             | 00-840414-00001 | Leg – Caster Assy. ....  | 4           |
| 2             | 00-804555       | Caster – Swivel W/O Lock .....   | 2           |
| 3             | 00-804556       | Caster – Swivel W/Lock .....   | 2           |
| 4             | 00-840427-00001 | Steam Rack Assy. ....  | AR          |
| 5             | 00-907791       | Transformer 50 V. (240/480 V. to 120 V.) (Electric Units W/O Power Lift) ..... | 1           |
| 6             | 00-880314       | Transformer 350 V. (Electric Units W/Power Lift) .....                         | 1           |
| 7             | 00-840252       | Terminal Block for Neutral Wire .....  | 1           |
| 8             | 00-911187-00002 | Faucet – Single W/12 In. Swing Spout .....                                     | 1           |
| 9             | 00-911187-00003 | Faucet – Double W/12 In. Swing Spout .....                                     | 1           |
| 10            | 00-836760       | Bracket – Mounting (For Faucet W/Swing Spout) .....                            | 1           |
| 11            | 10-22-066       | Hex Nut – Elastic 1/4-20 (For 836760) .....                                    | 1           |