

PARTS MANUAL FOR HEAVY DUTY GAS BROILERS

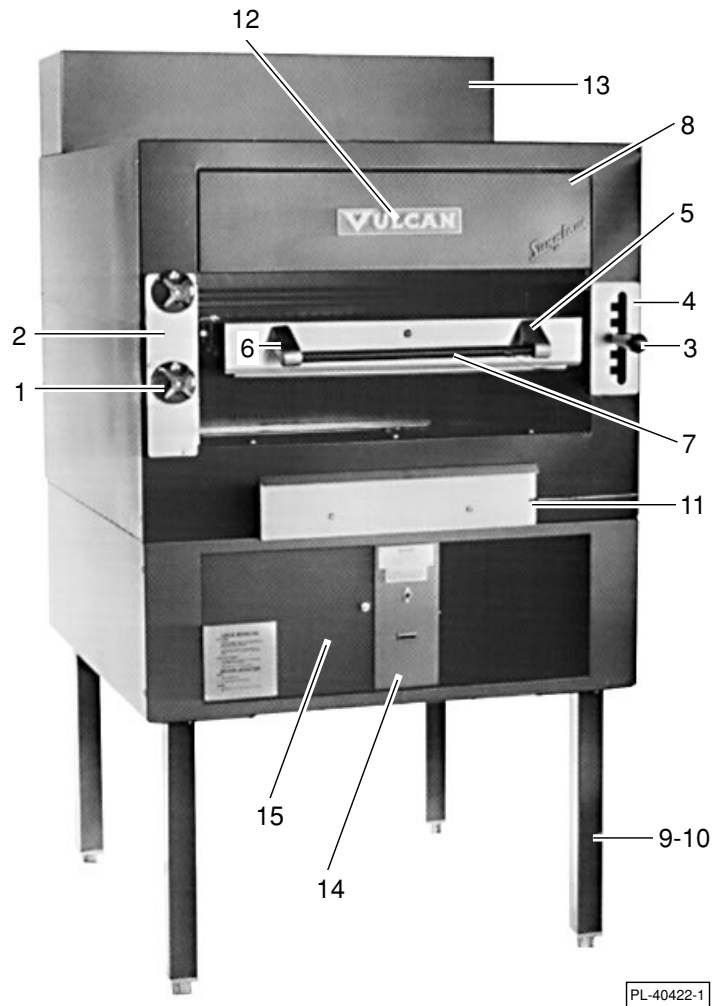
CERAMIC MODELS

Model
HCB040
HCB44
HMCB44
HCB1
HCB2

SUNGLOW MODELS

Model
IR1
IR2
IR44

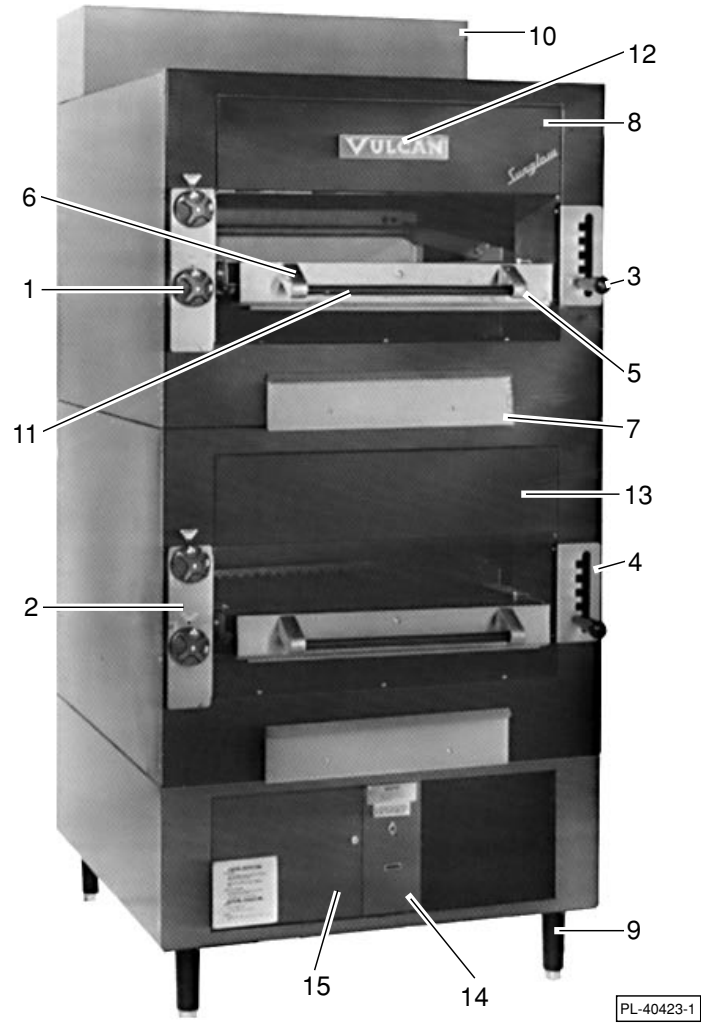




PARTS - FRONT VIEW IR1

PARTS - FRONT VIEW IR1

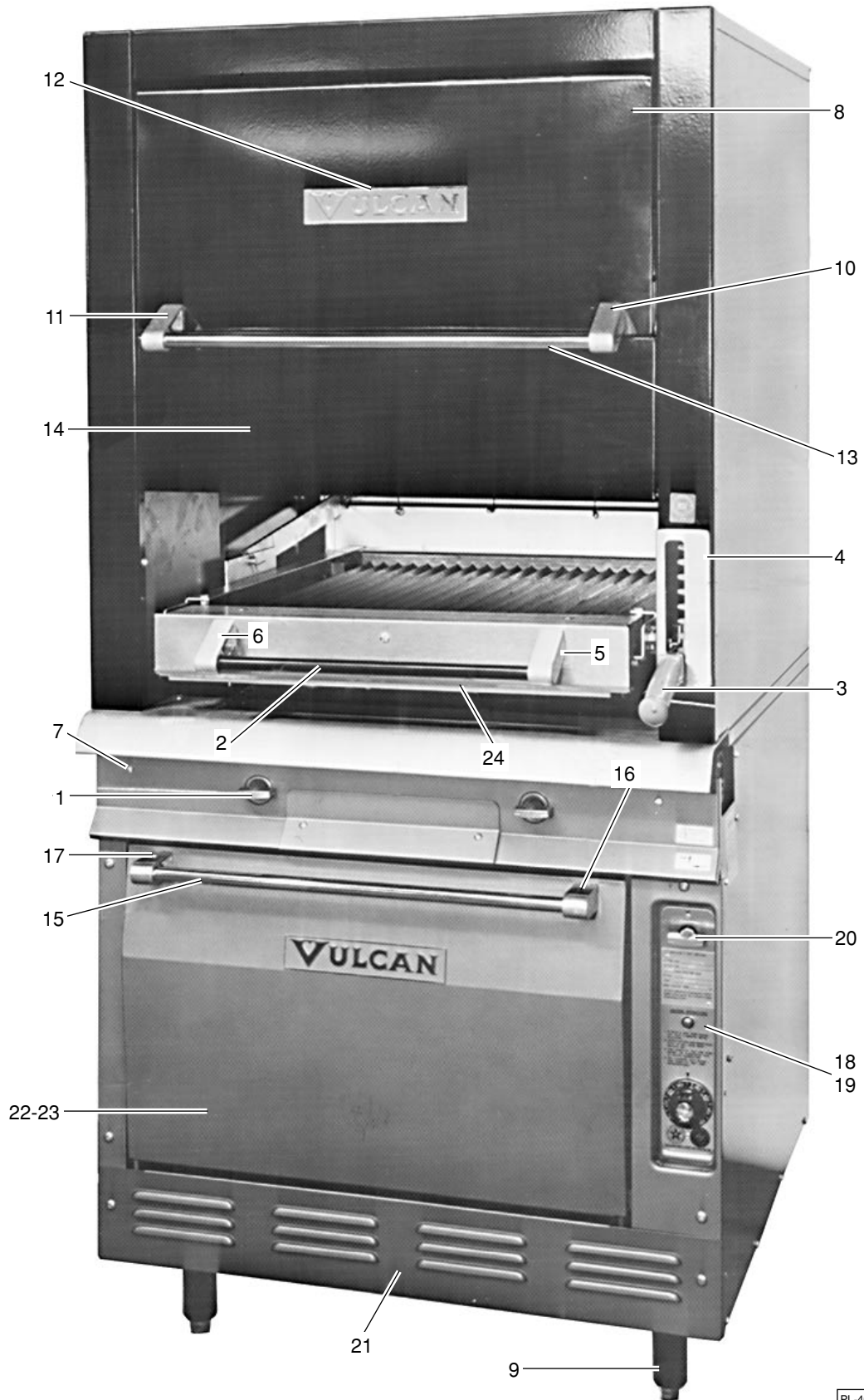
ITEM NO.	DESCRIPTION	IR1 PART NO.	QTY.
1	Burner Knob (On-Off)	407727-5	2
2	Burner Knob Cover Plate	414269-1	1
3	Grid Arm Handle	407785-2	1
4	Grid Arm Cover Index Plate	413609-1	1
5	Right Grid Post	404549-5	1
6	Left Grid Post	404549-6	1
7	Grid Handle	404647-1	1
8	Burner Shield Cover (Top)	411144-G2	1
9	Legs	413383-G1	4
10	Legs (SST)	411383-G2	4
11	Grease Collector Front	408161-1	1
12	Vulcan Nameplate	417700-1	1
13	Deflector Assy	410834-G2	1
14	Lock Panel	417858-2	1
15	Blower Cover Assembly	409030-G4	1
	Drip Tray Assembly	411040-G1	1
	Grease Collector	407673-G1	1
	I.D. TAB "R"	414639-1	1
	I.D. TAB "L"	414639-2	1



PARTS - FRONT VIEW IR2

PARTS - FRONT VIEW IR2

ITEM NO.	DESCRIPTION	IR2 PART NO.	QTY.
1	Burner Knob (On-Off)	407727-5	4
2	Burner Knob Cover Plate	414269-1	2
3	Grid Arm Handle	407785-2	1
4	Grid Arm Cover Index Plate	413609-1	2
5	Right Grid Post	404549-5	1
6	Left Grid Post	404549-6	1
7	Grease Collector Front	408161-1	1
8	Burner Shield Cover (Top)	411144-G2	1
9	Legs (SST)	409840-6	4
10	Deflector Assembly	410834-G2	1
11	Grid Handle	404647-1	1
12	Vulcan Nameplate	417700-1	1
13	Burner Shield Cover (Bottom)	411144-G4	1
14	Lock Panel	417858-2	1
15	Blower Cover Assembly	409030-G4	1
	Drip Tray Assembly	411040-G1	1
	Grease Collector Assembly	407673-G1	1
	I.D. Knob Tab "R" (New style not shown)	414639-1	2
	I.D. Knob Tab "L" (New style not shown)	414639-2	2



PL-40424-1

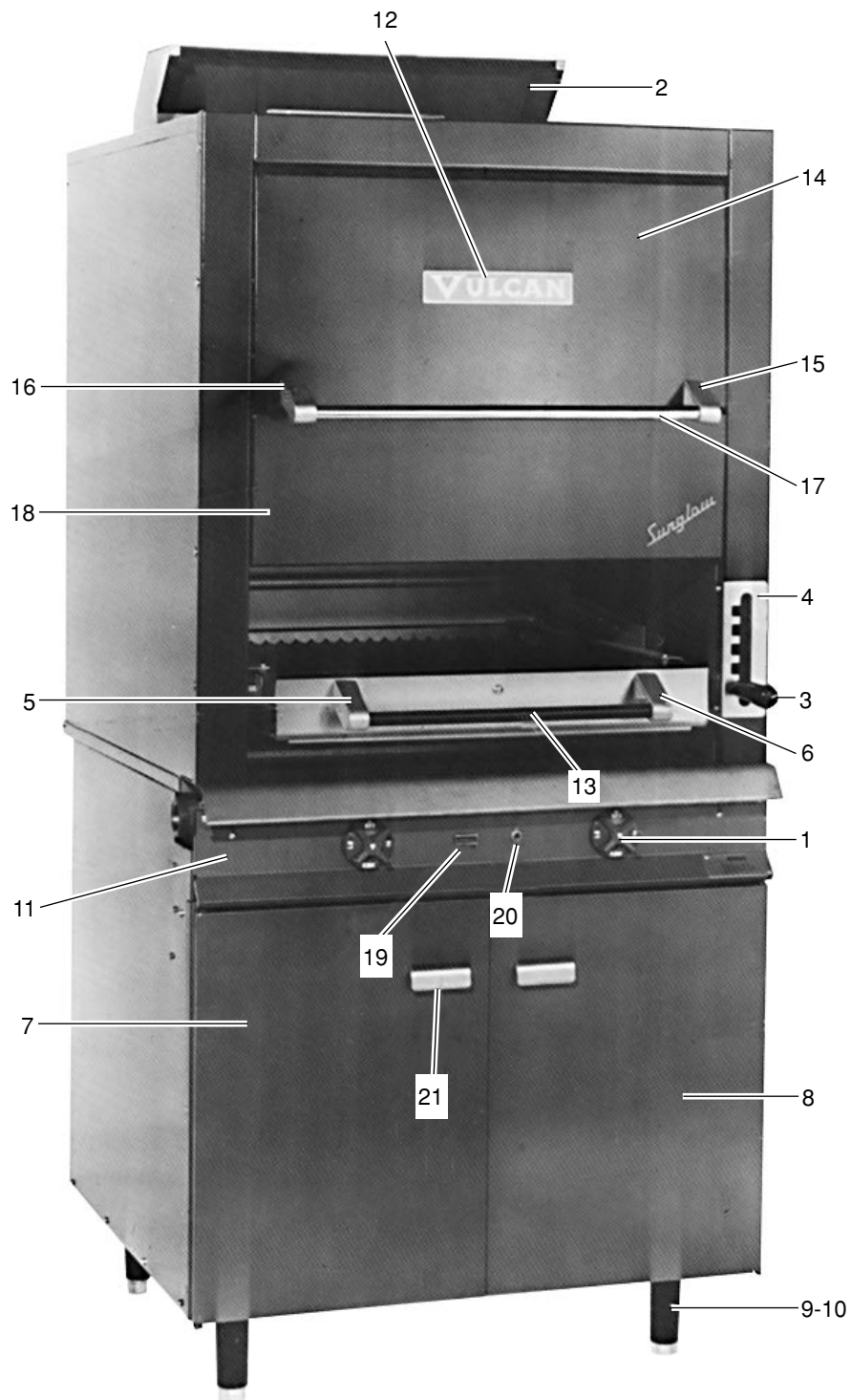
PARTS - FRONT VIEW HCBO40

PARTS - FRONT VIEW HCBO40

ITEM NO.	DESCRIPTION	HCBO40 PART NO.	QTY.
1	Burner Valve Knob	420560-1	2
2	Grid Handle	404647-1	1
3	Grid Arm Handle (Old style shown)	407785-2	1
4	Grid Arm Cover/Index Plate (SS)	413609-2	1
5	Right Grid Post	404549-5	1
6	Left Grid Post	404549-6	1
7	Manifold Cover Assembly (SS)	409776-G2	1
8	Augratin Oven Door Assembly	405488-G1	1
9	(Adj.) Legs (SS)	409840-6	4
10	Right Oven Door Post	409790-3	1
11	Left Oven Door Post	409790-4	1
12	Vulcan Nameplate	417700-1	2
13	Oven Door Handle	401847-1	1
14	Lower Burner Cover (SS)	405499-2	1
15	Oven Handle (Lower)	409793-1	1
16	Right Door Post	409790-1	1
17	Left Door Post	409790-2	1
18	Control Panel-GHCB40	420774-1	1
19	Control Panel-GHCB40C	420784-1	1
20	Valve Handle (Red)	402957-2	1
21	Lower Front Panel	420775-G1	1
22	Oven Door Assembly	409791-G1	1
23	Oven Door Assembly (SS)	409791-G3	1
24	Grease Collector Front	409873-1	1

(SS) Stainless Steel

Photo shows old style grid handle assembly.

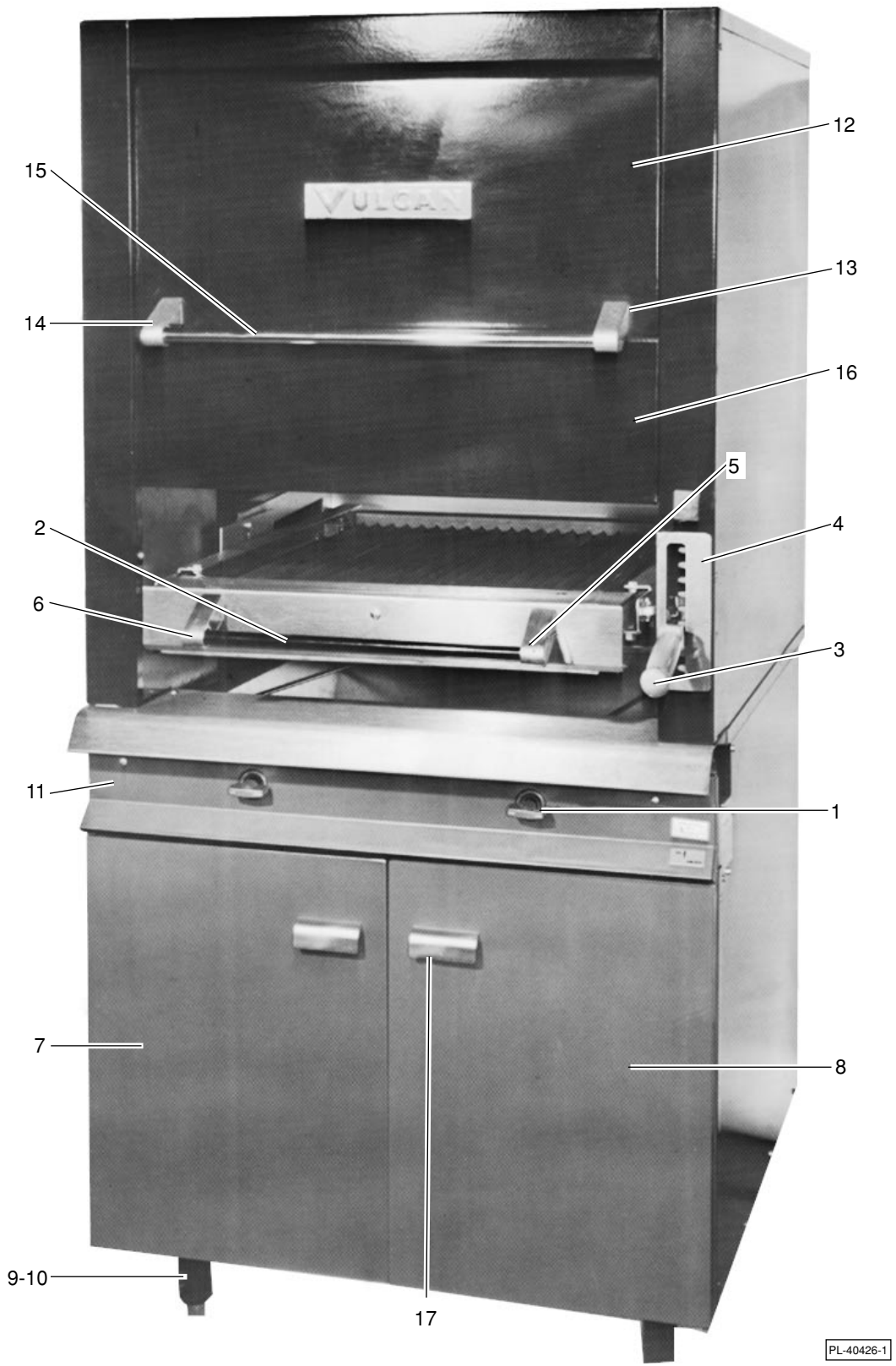


PARTS - FRONT VIEW IR44

PARTS - FRONT VIEW IR44

ITEM NO.	DESCRIPTION	IR44 PART NO.	QTY.
1	Burner Valve Knob Hi-Med-Lo	407727-4	2
2	Flue Riser	414878-G1	1
3	Grid Arm Handle	407785-2	1
4	Grid Arm Cover/Index Plate (SS)	413609-2	1
5	Right Grid Post	404549-5	1
6	Left Grid Post	404549-6	1
7	Left Hand Door Panel Assembly (SS)	412945-G3	1
8	Rt. Hd. Door Panel Assembly (SS)	412945-G4	1
9	Adjustable Leg	409840-5	4
10	Adjustable Leg (SS)	409840-6	4
11	Manifold Cover Assembly (SS)	409653-6	1
12	Vulcan Nameplate	417700-1	1
13	Grid Handle	404647-1	1
14	Augratin Oven Door Assembly	405488-G1	1
15	Right Oven Door Post	409790-3	1
16	Left Oven Door Post	409790-4	1
17	Door Handle	401847-1	1
18	Burner Box Cover	405499-3	1
19	Pilot Light	411496-E4	1
20	Toggle Switch	417812-1	1
21	Cabinet Door Handle	408615-21	2
	Drip Tray Assembly	411040-G1	1
	Lt. Door Panel Lining	412942-1	1
	Rt. Door Panel Lining	412942-2	1
	I.D. Tab "R"	414639-1	1
	I.D. TAB "L"	414639-2	1

(SS) Stainless Steel



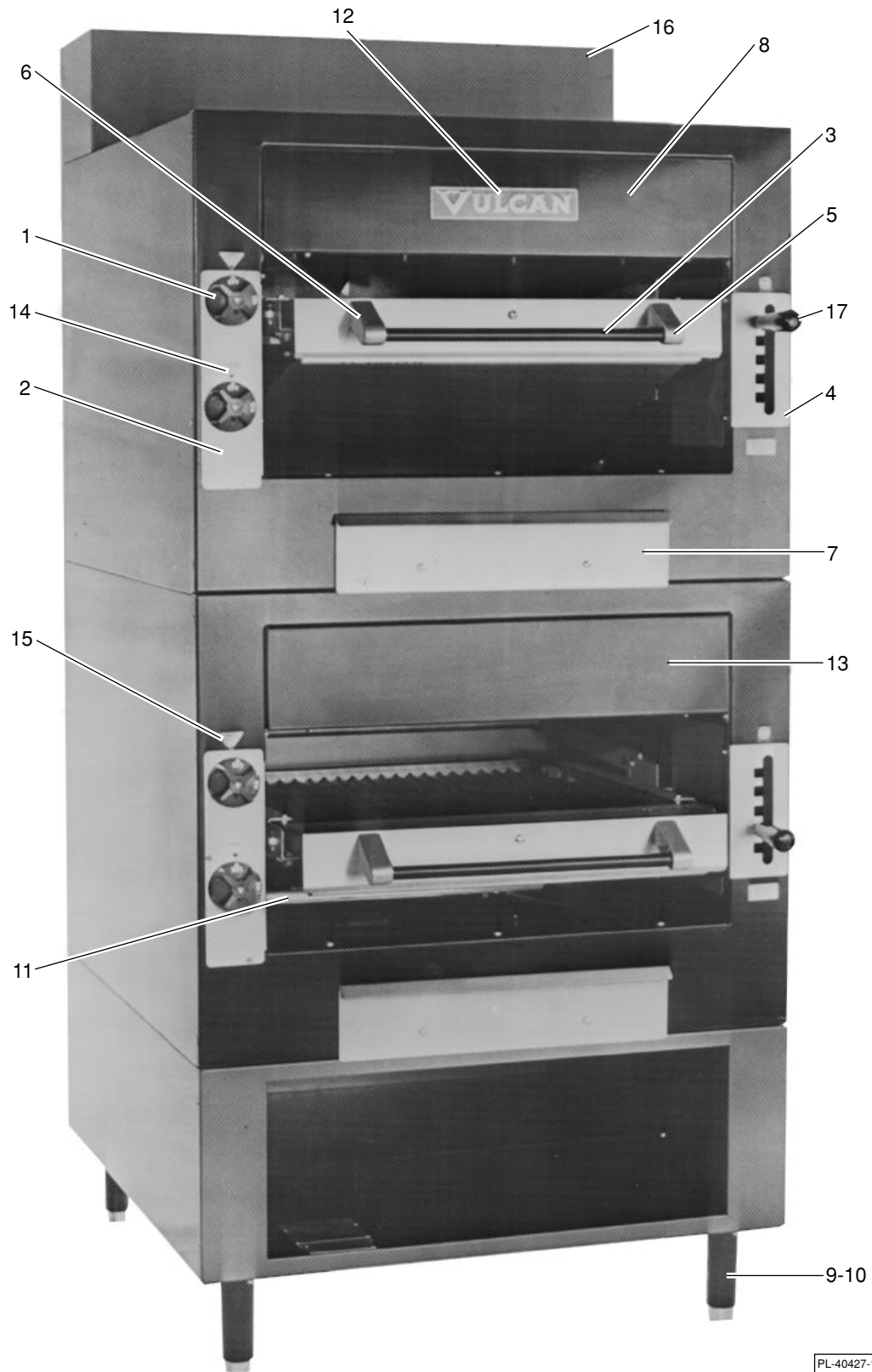
PARTS - FRONT VIEW HCB44

PARTS - FRONT VIEW HCB44

ITEM NO.	DESCRIPTION	HCB44 PART NO.	QTY.
1	Burner Valve Knob	402957-2	2
2	Grid Handle	404647-1	1
3	Grid Arm Handle (Old style shown)	407785-2	1
4	Grid Arm Cover/Index Plate (SS)	413609-2	1
5	Right Grid Post	404549-5	1
6	Left Grid Post	404549-6	1
7	Door Panel Assembly, Left	412945-G1	1
8	Door Panel Assembly, Right	412945-G2	1
9	Adj. Leg	409840-5	4
10	Adj. Leg (SS)	409840-6	4
11	Manifold Cover Assembly (SS)	409776-G2	1
12	Augratin Oven Door Assembly	405488-G1	1
13	Right Oven Door Post	409790-3	1
14	Left Oven Door Post	409790-4	1
15	Oven Door Handle	401847-1	1
16	Lower Burner Cover (SS)	405499-2	1
17	Door Handle	408615-21	2
	Left Door Liner	412942-1	1
	Left Door Liner (SS)	412942-3	1
	Right Door Liner	412942-2	1
	Right Door Liner (SS)	412942-4	1

(SS) Stainless Steel

Photo shows old style grid handle assembly.



PL-40427-1

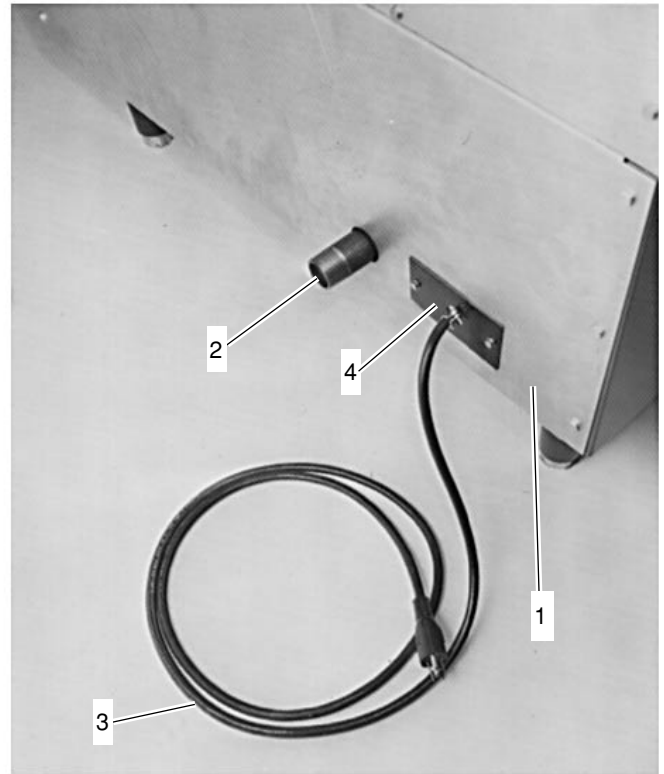
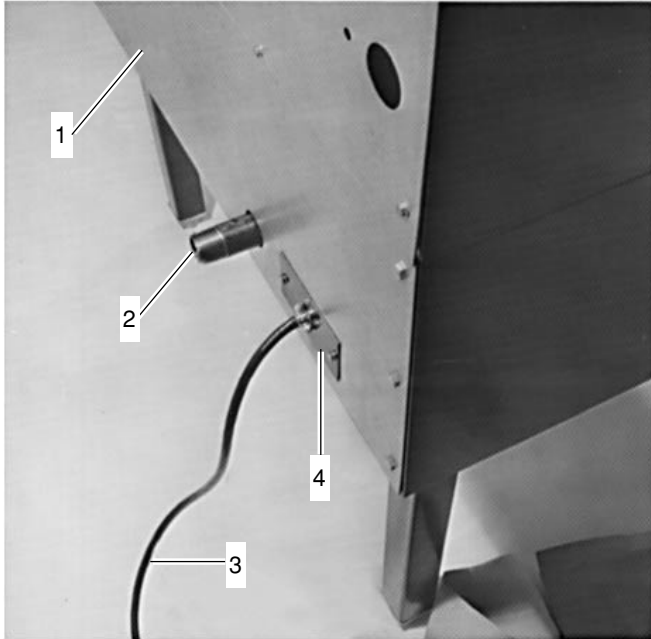
PARTS - FRONT VIEW HCB2

PARTS - FRONT VIEW HCB2

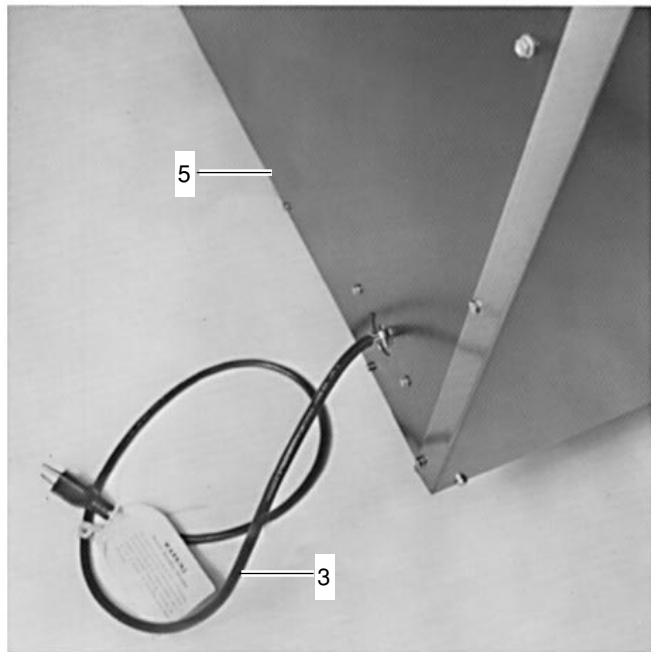
ITEM NO.	DESCRIPTION	HCB1 PART NO.	QTY.	HCB2 PART NO.	QTY.
1	Burner Knob (On-Off)	407727-5	2	407727-5	4
2	Burner Knob Cover Plate	414269-1	1	414269-1	2
3	Grid Handle	404647-1	1	404647-1	2
4	Grid Arm Cover Index Plate	413609-1	1	413609-1	2
5	Right Grid Handle Post	404549-5	1	404549-5	2
6	Left Grid Handle Post	404549-6	1	404549-6	2
7	Grease Collector Front	408161-1	1	408161-1	2
8	Burner Shield Cover (Top)	408132-G6	1	408132-G6	1
9	Adj. Legs	413383-G1	4	409840-5	4
10	Adj. Legs (SS)	413383-G2	4	409840-6	4
11	Drip Tray Assembly	411040-G1	1	411040-G1	1
12	Vulcan Nameplate	417700-1	1	417700-1	1
13	Burner Shield Cover (Bottom)		408132-G4	1
14	I.D. Knob Tab "L" (Old style shown)	414639-2	1	414639-2	2
15	I.D. Knob Tab "R" (Old style shown)	414639-1	1	414639-1	2
16	Deflector Assy.	410834-G2	1	410834-G2	1
17	Grid Arm Handle	407785-2	1	407785-2	1
	Grease Collector Assembly	407673-G1	1	407673-G1	1

(SS) Stainless Steel

Front View HCB1 Not Shown.

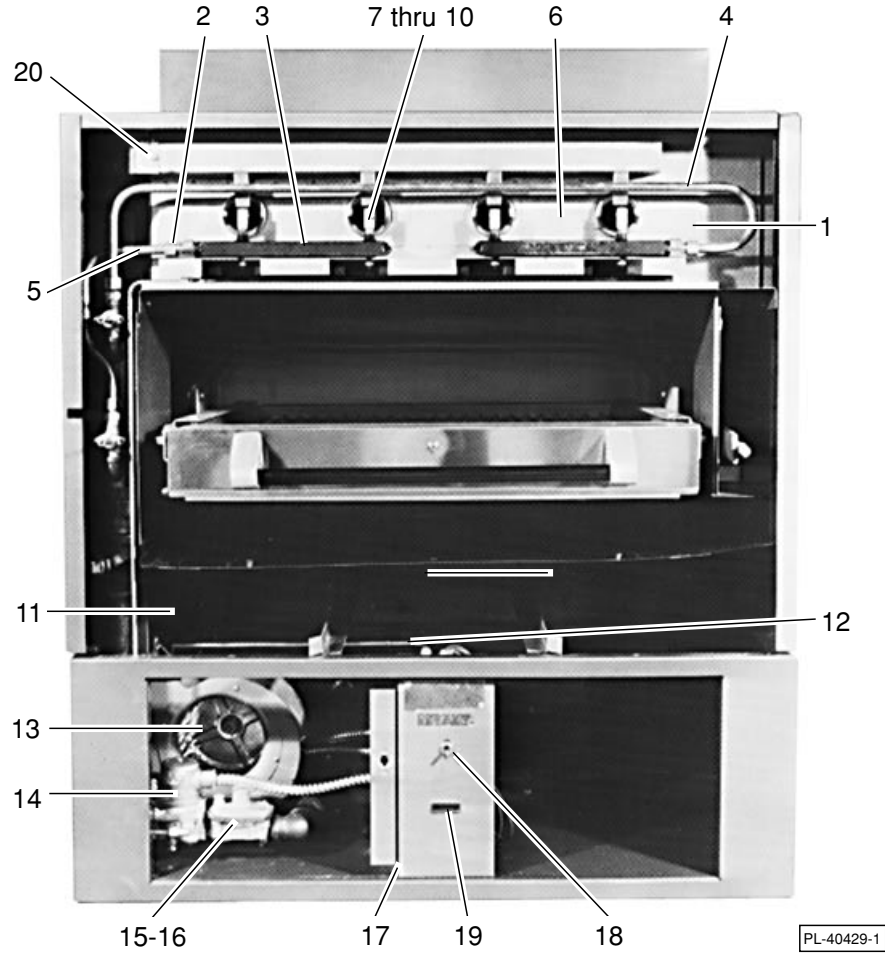


PL-40428-1



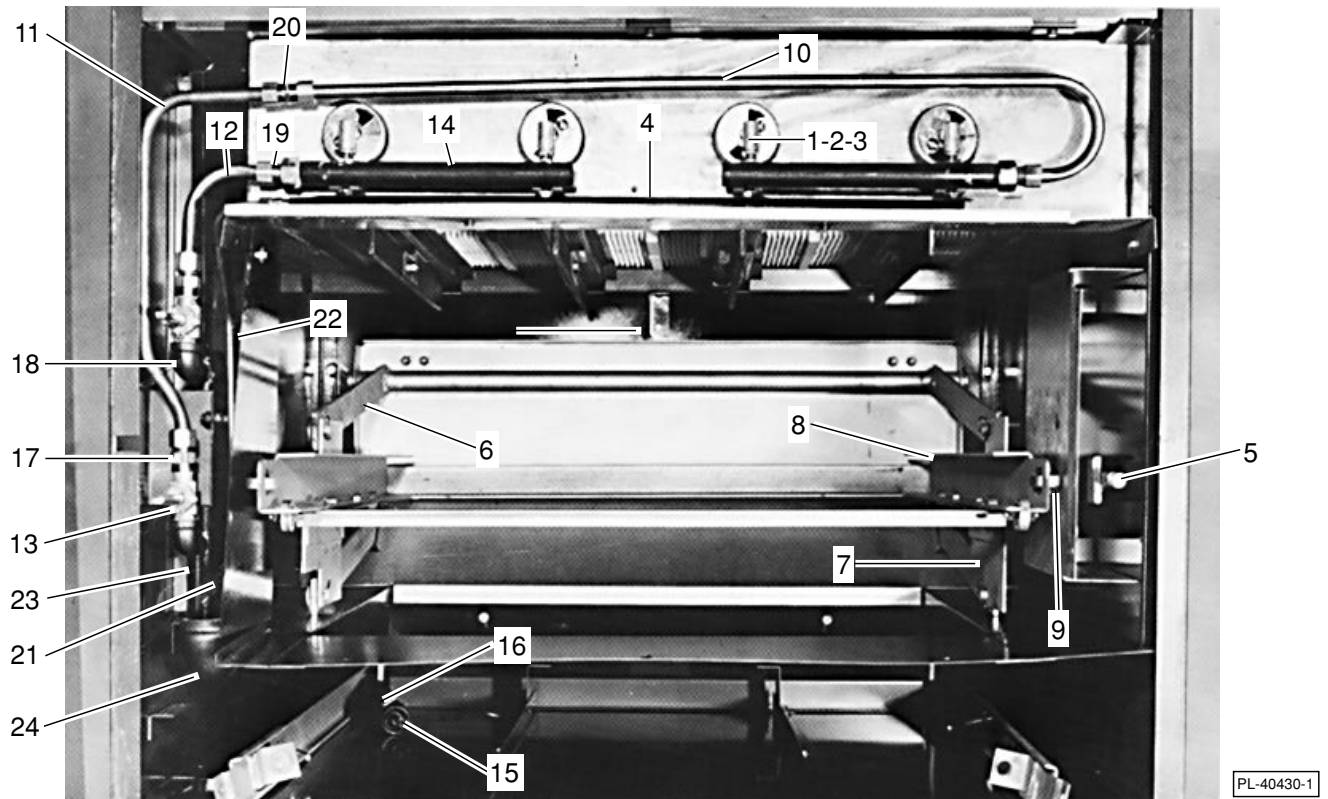
PARTS - REAR VIEW IR1, IR2, IR44

ITEM NO.	DESCRIPTION	IR1		IR2		IR44		HCB1		HCB2	
		PART NO.	QTY.	PART NO.	QTY.	PART NO.	QTY.	PART NO.	QTY.	PART NO.	QTY.
1	Body Back (Cabinet)	408987-G1	1	408987-G1	1	408987-G3	1	408214-G1	1
2	Inlet Pipe	413500-F280	1	413500-F280	1	413500-F268	1	413500-F268	1
3	Elec. Supply Cord	405016-1	1	405016-1	1	405016-1	1
4	Elec. Cover Plate	408647-1	1	408647-1	1	408647-1	1
5	Body Back
	Body Back (Upper)	408210-3	1	405407-3	1	408210-3	1
	Body Back (Lower)	408210-1	1	408210-1	1	409158-1	1	408210-1	1	408210-1	1



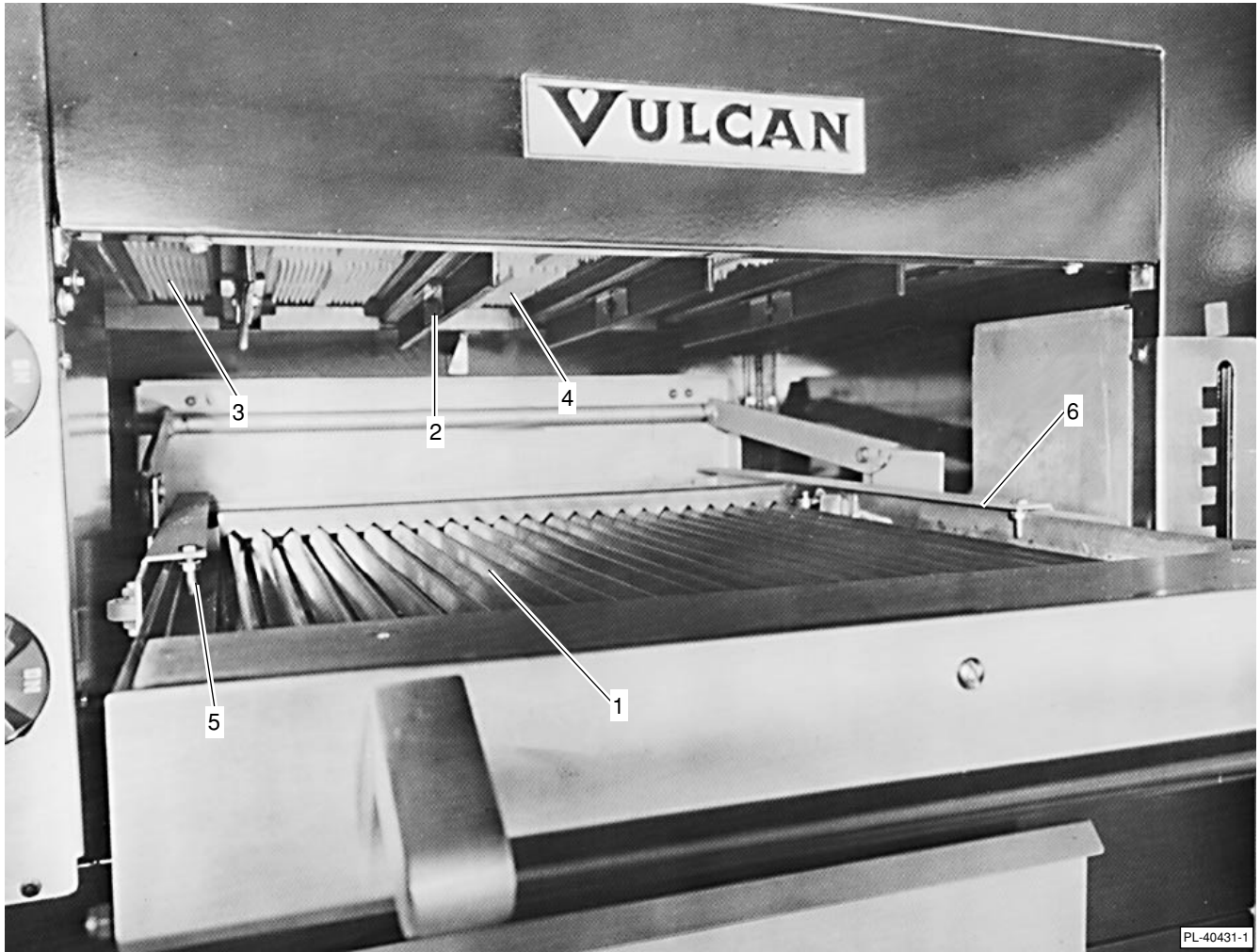
PARTS - FRONT VIEW FRAME REMOVED IR1 & IR2

ITEM NO.	DESCRIPTION	IR1 PART NO.	QTY.	IR2 PART NO.	QTY.
1	Front Burner Shield Assembly	415095-G1	1	415095-G1	2
2	Fitting ½ CC to ½ MPT	FP-75-1	2	FP-75-1	4
3	Burner Sub-Manifold	414861-1	2	414861-1	4
4	Right Hand Burner Tube	415133-1	1	415133-1	2
5	Left Hand Burner Tube	415134-1	1	415134-1	2
6	Close Nipple ⅛"	413500-A6	4	413500-A6	8
7	Pilot Elbow Burner	405643-F	4	405643-F	8
8	Orifice Spud (NAT.)	10901-44	4	10901-44	8
9	Orifice Spud (PROPANE)	10901-55	4	10901-55	8
10	Orifice Spud (BUTANE)	10901-56	4	10901-56	8
11	Air Transition Box	415089-1	1	415089-1	1
12	Pressure Switch Tubing	409759-2	1	409759-2	1
13	Blower Motor	413552-4	1	413552-4	1
14	Solenoid	411497-F3	1	411497-F3	1
15	Regulator (NAT.)	408279-20	1	408279-20	1
16	Regulator (PROPANE & BUTANE)	408279-21	1	408279-21	1
17	Lock Panel	417858-2	1	417858-2	1
18	Toggle Switch	417812-1	1	417812-1	1
19	Signal Light	411496-E4	1	411496-E4	1
20	Air Transition Box	415300-G1	1	415299-G1	2
	Pilot Shield	415807-1	4	415807-1	8



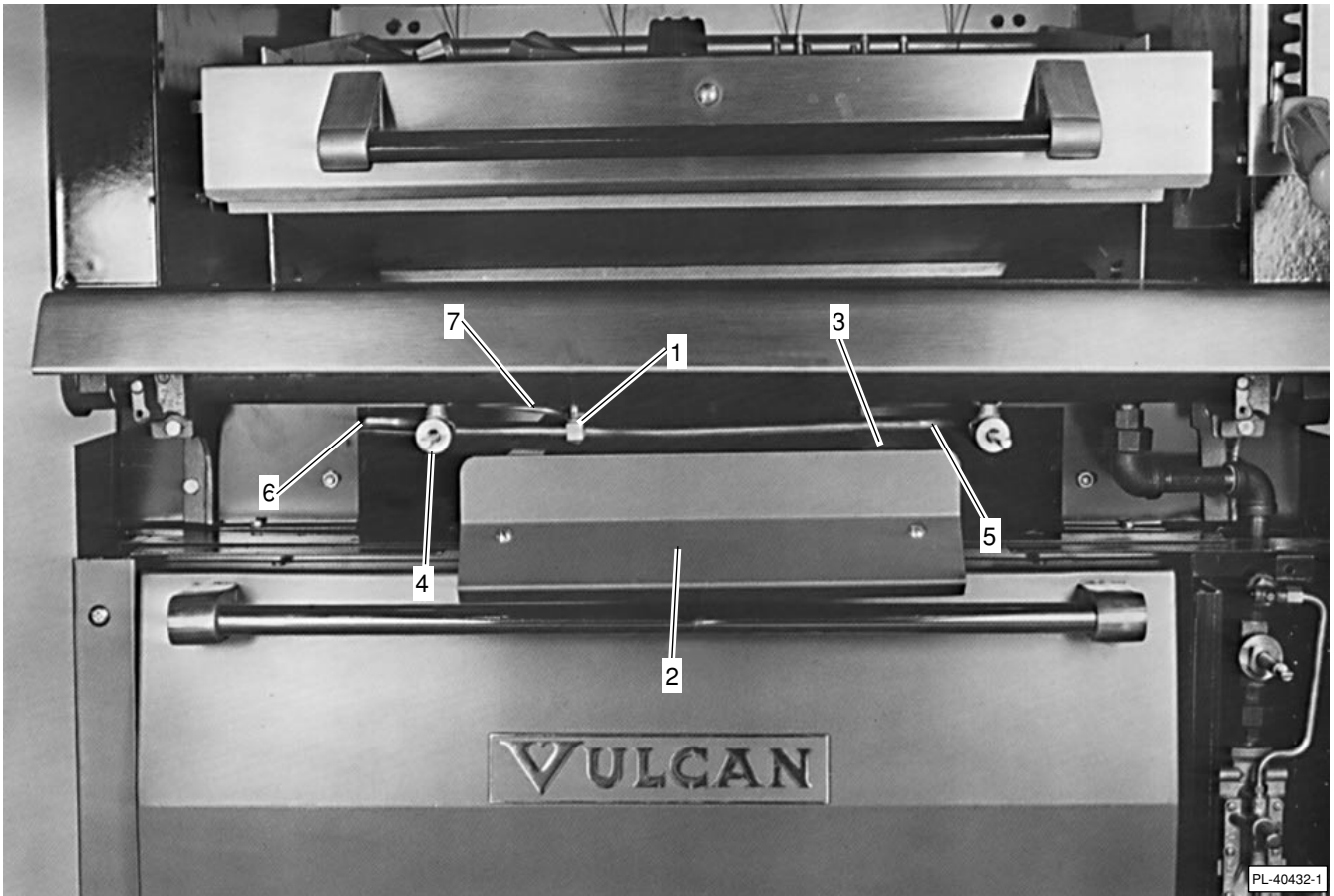
PARTS - FRONT VIEW FRAME REMOVED HCB2

ITEM NO.	DESCRIPTION	HCB1 PART NO.	QTY.	HCB2 PART NO.	QTY.
1	Pilot Burner Nozzle (NAT.)	405643-A42	4	405643-A42	8
2	Pilot Burner Nozzle (PROPANE)	405643-F53	2	405643-F53	4
3	Elbow Nozzle	405643-F	AR	405643-F	AR
4	Pilot Manifold Assembly	411463-G1	1	411463-G1	2
5	Grid Arm Lifting Assembly	413607-G1	1	413607-G1	2
6	Upper Lever Arm Assembly	408770-G1	1	408770-G1	2
7	Lower Lever Arm Assembly	408774-G1	1	408774-G1	2
8	Grid Carriage Assembly	411038-G1	1	411038-G1	2
9	Roller Bearing With Shaft	405655-3	2	405655-3	4
10	Rt. Hd. Burner Tubing	408078-1	1	408078-1	2
11	Rt. Burner Tubing Valve to Double CC Fitting	408328-1	1	408328-1	1
12	Lt. Burner Tubing Fitting to Valve	408329-1	1	408329-1	1
13	Burner Valve	407789-1	2	407789-1	4
14	Sub - Manifold Assembly	408076-G1	1	408076-G1	2
15	Spring Lifting Arm (Inner)	407724-1	2	407724-1	4
16	Spring Lifting Arm (Outer)	401992-2	2	401992-2	4
17	Fitting 3/8" to 1/2" CC	FP-12-1	2	FP-12-1	4
18	Elbow Street 1/2" x 3/8"	FP-16-2	2	FP-16-2	4
19	Fitting Straight 1/2" x 1/2" CC	FP-12-49	2	FP-12-49	4
20	Fitting Straight Double 1/2" CC	FP-77-36	2	FP-77-36	4
21	Elbow 1/8" NPS x 1/4" CC	FP-12-21	1	FP-12-21	2
22	Pilot Tube Valve to CC Elbow	415229-1	1	415229-1	2
23	1" Manifold Pipe	408199-G1	1	408199-G1	2
24	Elbow Reducing 1" x 3/4"	FP-79-97	2	FP-79-97	4
	Roller Bearing Without Shaft	405655-1	2	405655-1	4



PARTS - GRID ASSEMBLY HCB2

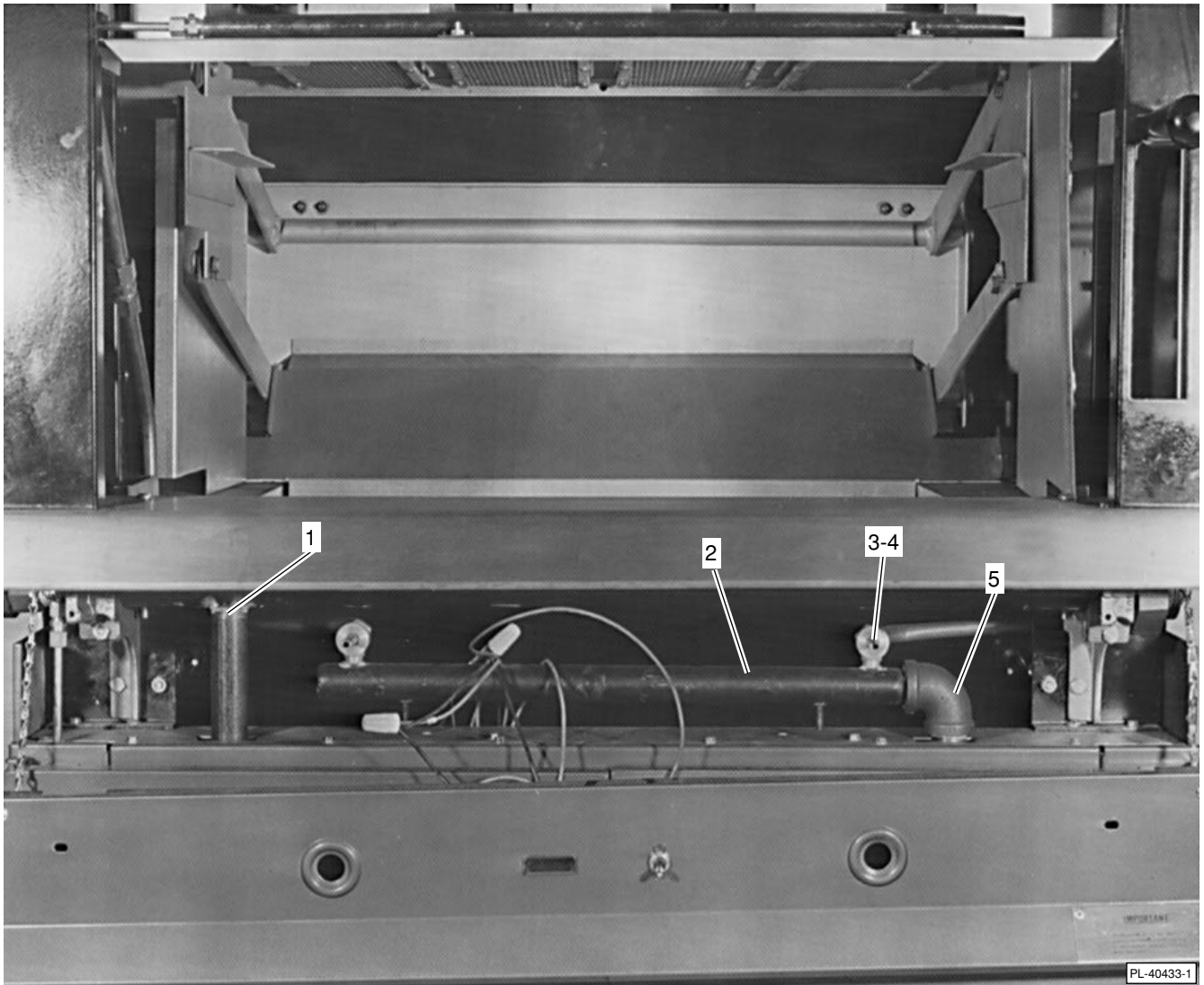
ITEM NO.	DESCRIPTION	HCB1		HCB2		HCBO40		HCB44	
		PART NO.	QTY.	PART NO.	QTY.	PART NO.	QTY.	PART NO.	QTY.
1	Grid Final Assembly	417074-G1	1	417074-G1	2	417074-G1	1	417074-G1	1
2	Burner Assembly	411551-G1	4	411551-G1	8	411551-G1	4	411551-G1	4
3	Burner Side Ceramics	404146-1	8	404146-1	16	404146-1	8	404146-1	16
4	Burner Center Ceramics	404145-1	12	404145-1	24	404145-1	12	404145-1	12
5	Grid Stop Bolt Hex Head 1/4" x 1 1/4"	SC-36-8	3	SC-36-8	6	SC-36-8	3	SC-36-8	3
6	Grid Carriage	411038-G1	1	411038-G1	2	411038-G1	1	411038-G1	1
	Drip Shield Rod	408111-2	1	408111-2	2	408111-2	1	408111-2	1
	Lifting Arm Assembly	413607-G1	1	413607-G1	2	413612-G1	1	413612-G1	1



PARTS - UPPER MANIFOLD ASSEMBLY HCBO40

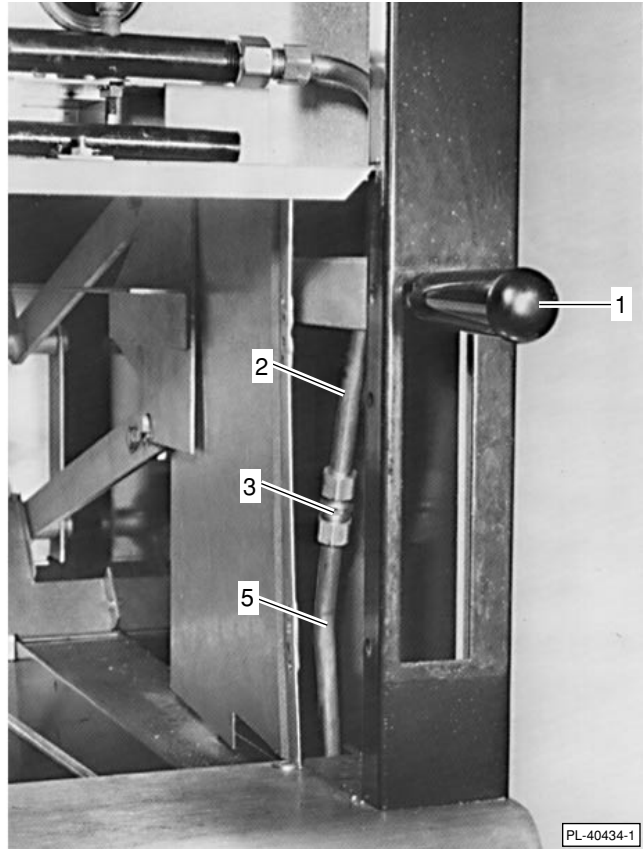
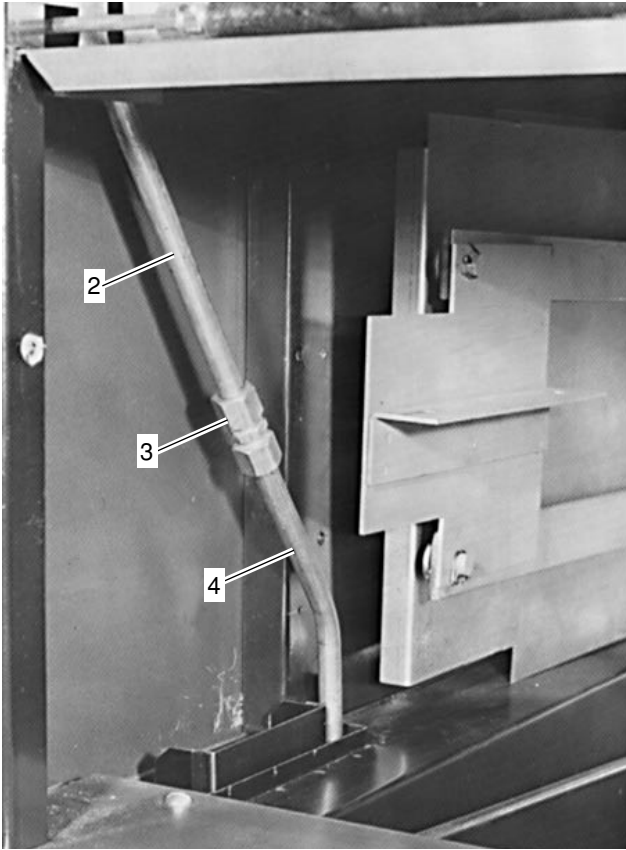
ITEM NO.	DESCRIPTION	HCBO40 PART NO.	QTY.
1	Pilot Valve	404738-3	4
2	Grease Collector Front Panel (SS)	409873-1	1
3	Grease Collector Assembly	409899-G1	1
4	Burner Valve	408379-3	2
5	Burner Valve Tube, Rt.	408079-1	1
6	Burner Valve Tube, Lt.	408079-2	1
7	Pilot Supply Tube	411696-1	1
	Pilot Orifice Spud Nat.	409125-1	4
	Pilot Orifice Spud Mixed	409125-2	4
	Pilot Orifice Spud Propane	409125-3	4
	Orifice Spud Nat. Gas	10901-32	4
	Orifice Spud Propane Gas	10901-53	4
	Orifice Spud Butane Gas	10901-54	4
	Elbow Nozzle	405643-F	4

(SS) Stainless Steel



PARTS - IR44 WITH MANIFOLD COVER DROPPED

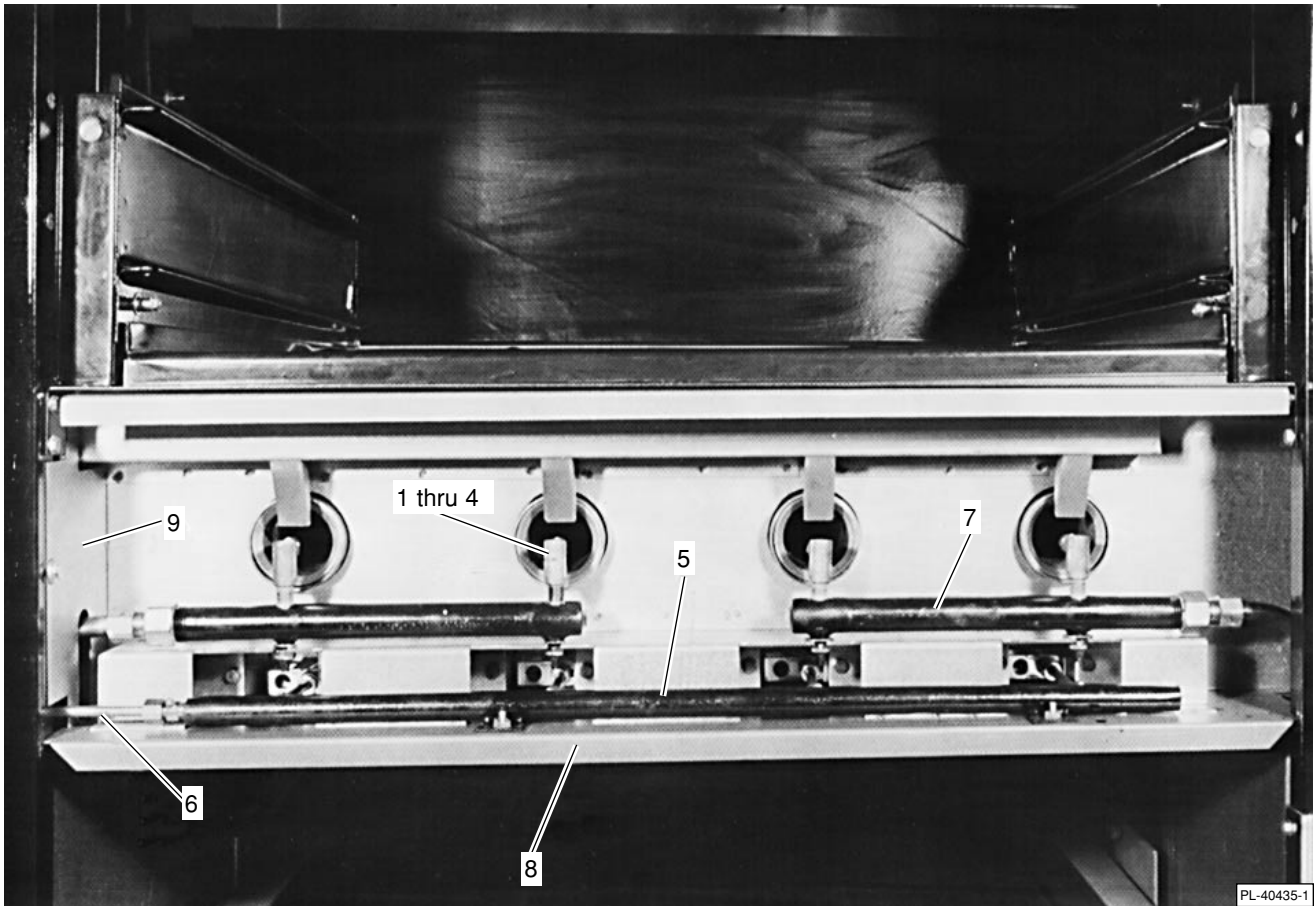
ITEM NO.	DESCRIPTION	IR44 PART NO.	QTY.
1	Drop Pipe 3/4" x 12 1/4"	413500-E98	1
2	Sub-Manifold	408422-G1	1
3	Valve HI-MED-LO (PROPANE & BUTANE)	408119-1L	2
4	Valve HI-MED-LO (NAT.)	408119-1N	2
5	Elbow 3/4" 90°	FP-13-22	1



PL-40434-1

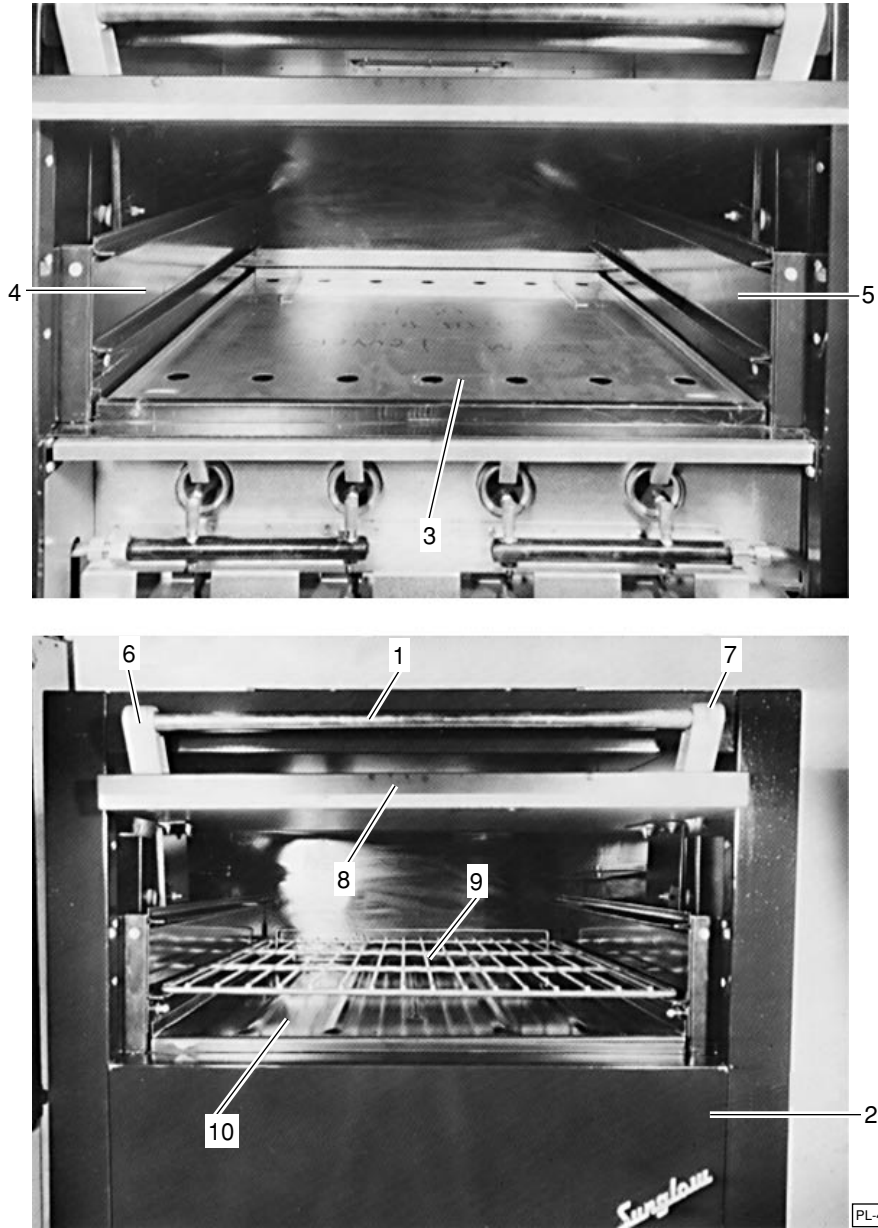
PARTS - BURNER TUBING ASSEMBLY LT. & RT. IR44

ITEM NO.	DESCRIPTION	IR44 PART NO.	QTY.
1	Grid Handle	407785-2	1
2	Burner Tubing	414863-1	2
3	Fitting 1/2 x 1/2 CC	FP-77-36	2
4	Lt. Hd. Burner Tubing	414749-1	1
5	Rt. Hd. Burner Tubing	414866-1	1



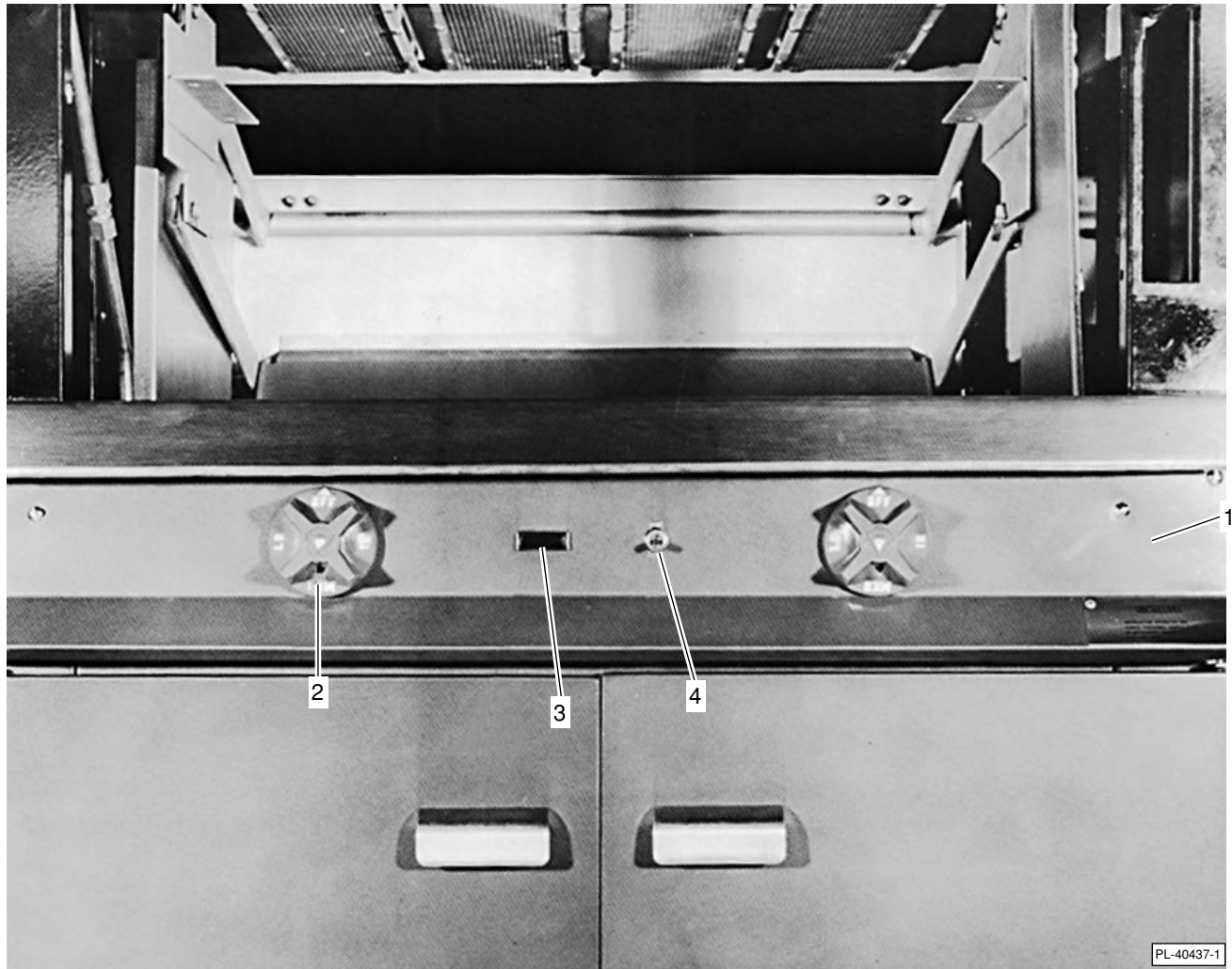
PARTS - PILOT MANIFOLD ASSEMBLY IR44

ITEM NO.	DESCRIPTION	IR44 PART NO.	QTY.
1	Elbow Pilot Nozzle	405643-F	4
2	Orifice Spud (NAT.)	10901-44	4
3	Orifice Spud (PROPANE)	10901-55	4
4	Orifice Spud (BUTANE)	10901-56	4
5	Pilot Manifold Assembly	414860-1	1
6	Pilot Tube - Adj. Valve to ¼" CC	414776-1	1
7	Burner Sub Assembly	414861-1	2
8	Front Burner Shield Assembly	414753-G1	1
9	Air Closure	414870-3	1
	Pilot Shield	415807-1	4



PARTS - AUGRATIN OVEN COMPARTMENT IR44

ITEM NO.	DESCRIPTION	IR44 PART NO.	QTY.
1	Handle	401847-1	1
2	Burner Box Cover	405499-3	1
3	Augratin Oven Bottom Baffle Assembly	405522-G1	1
4	Lt. Hd. Side Lining Assembly	405489-G2	1
5	Rt. Hd. Side Lining Assembly	405489-G1	1
6	Post, Left Hand	409790-4	1
7	Post, Right Hand	409790-3	1
8	Oven Door Assembly	405488-G1	1
9	Oven Rack (Augratin Oven)	404074-2	1
10	Oven Bottom Assembly (Augratin)	405123-G3	1



PARTS - CONTROL PANEL

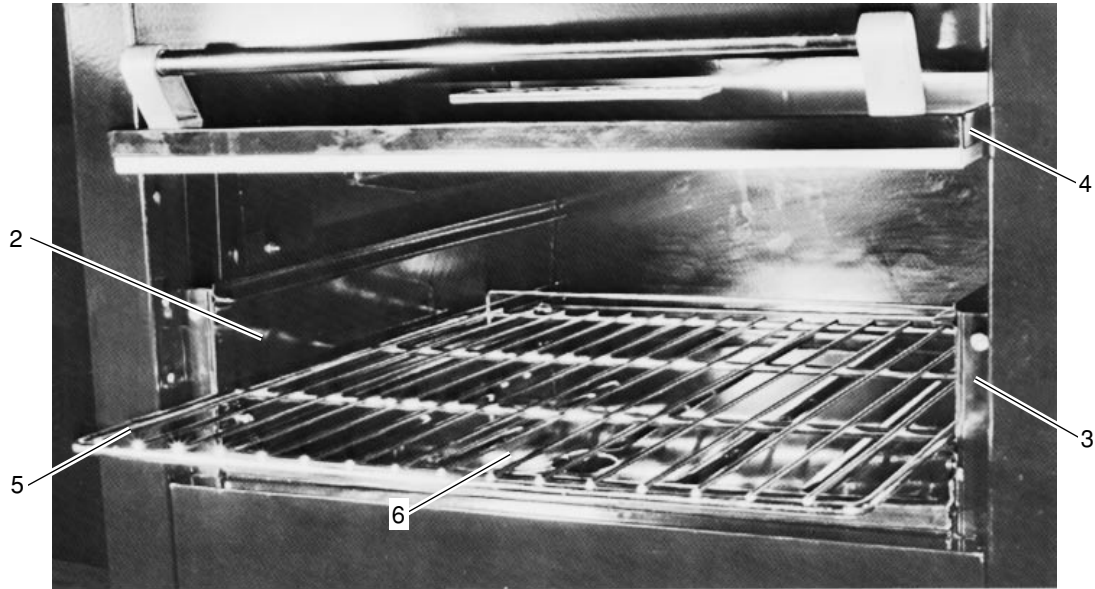
ITEM NO.	DESCRIPTION	IR44 PART NO.	QTY.
1	Manifold Cover Assembly (SS)	409653-6	1
2	Knob HI-MED-LO	407727-4	2
3	Signal Light	411496-E4	1
4	Toggle Switch	417812-1	1



PL-40438-1

PARTS - GRID ASSEMBLY HCBO40 & HCB44

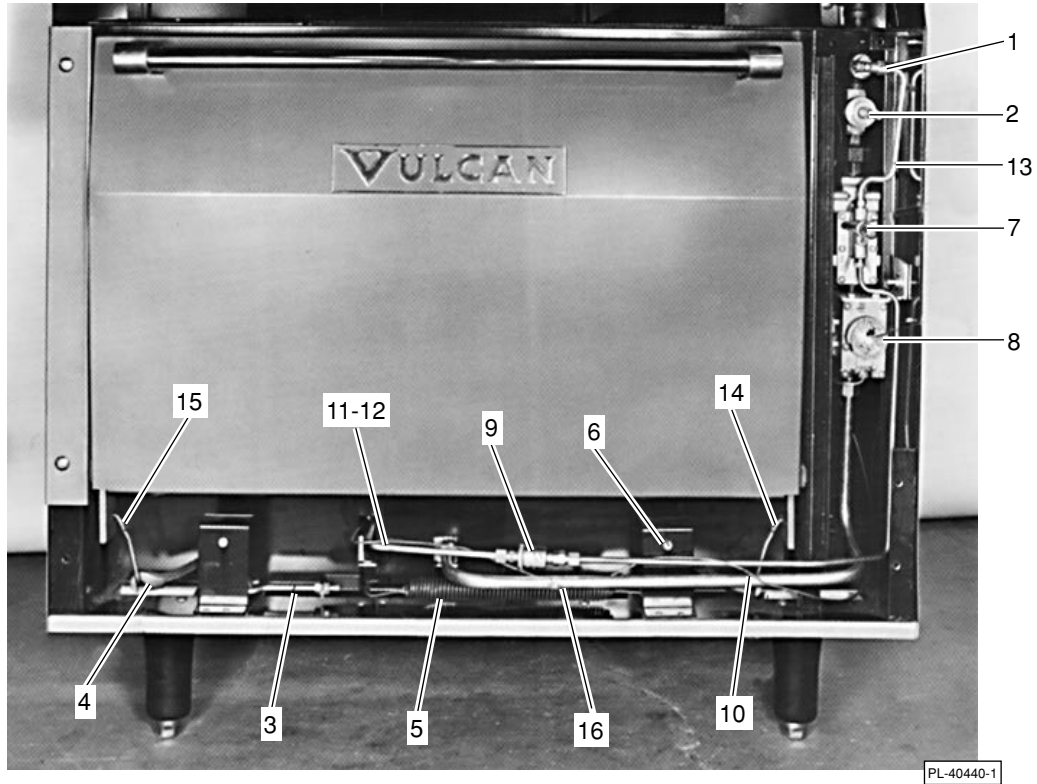
ITEM NO.	DESCRIPTION	HCBO40 PART NO.	QTY.	HCB44 PART NO.	QTY.
1	Grid Final Assembly	417074-G1	1	417074-G1	1
2	Grid Drip Shield	411040-G1	1	411040-G1	1
3	Drip Shield Rod	411280-1	1	411280-1	1
4	Lifting Arm Assembly	413612-G1	1	413612-G1	1



PL-40439-1

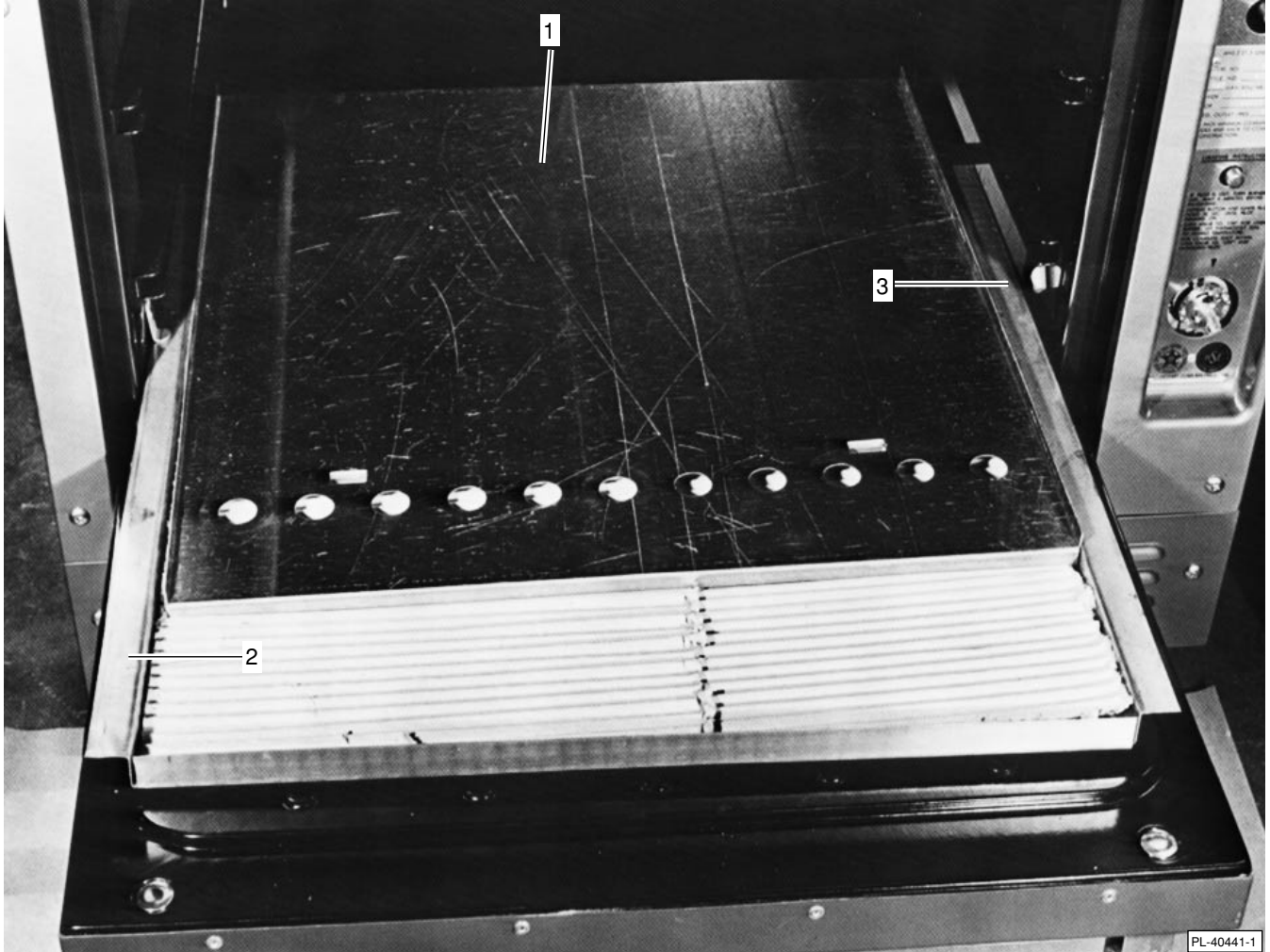
**PARTS - AUGRATIN OVEN SECTION HCBO40 & HCB44
PARTS - AUGRATIN OVEN BAFFLE IR44, HCB44 & HCBO40**

ITEM NO.	DESCRIPTION	IR44 PART NO.	QTY.	HCBO40 PART NO.	QTY.	HCB44 PART NO.	QTY.
1	Oven Bottom Baffle Assembly	405522-G1	1	405522-G1	1	405522-G1	1
2	Oven Side Lining Assembly, Lt. Hd.	405489-G2	1	405489-G2	1	405489-G2	1
3	Oven Side Lining Assem., Rt. Hd.	405489-G1	1	405489-G1	1	405489-G1	1
4	Augratin Oven Door Assembly	405488-G1	1	405488-G1	1	405488-G1	1
5	Oven Rack	404074-2	1	404074-2	2	404074-2	1
6	Oven Bottom Assembly	405123-G3	1	405123-G3	1	405123-G3	1



PARTS - OVEN MANIFOLD & CONTROLS HCBO40

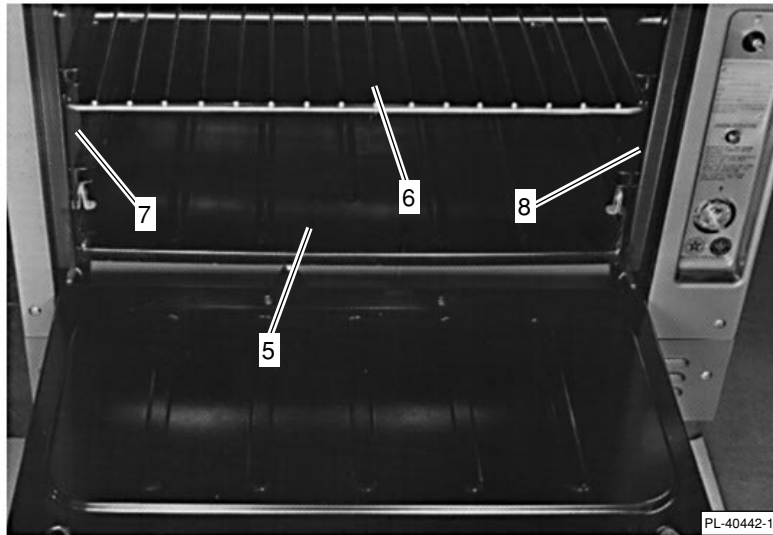
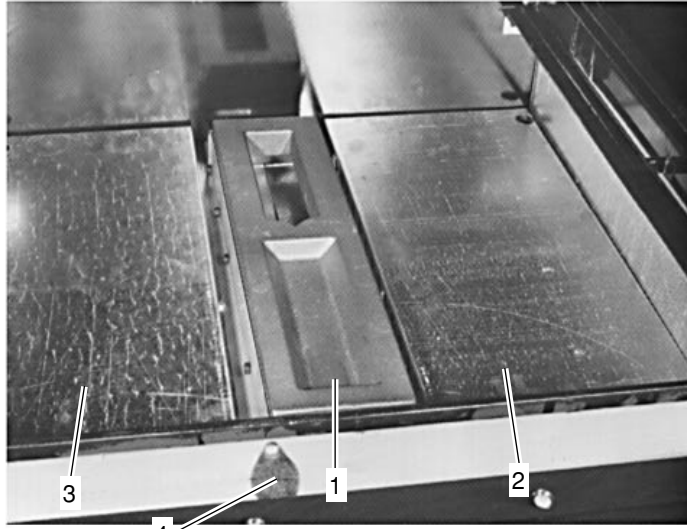
ITEM NO.	DESCRIPTION	HCBO40 PART NO.	QTY.
1	Pilot Valve	404193-1	1
2	Burner Valve	408379-3	1
3	J Hook	413091-1	2
4	Bell Crank	403956-1	2
5	Oven Door Spring	412014-1	1
6	Bell Crank Pin	403971-1	2
7	Pilot Outage Protection Valve	407798-4	1
8	Thermostat	407522-1	1
9	Filter (Not Available, Order Item 12)	1
10	Pilot Tubing Shut Off to Filter (Not Available, Order Item 12)	1
11	Pilot Tubing Filter to Tubing (Not Available, Order Item 12)	1
12	Pilot Tubing Shut Off to Pilot (Not Shown)	413348-1	1
13	Pilot Tubing Pilot Valve to Shut Off	407846-1	1
14	Oven Door Hook, Right	405618-2	1
15	Oven Door Hook, Left	405618-1	1
16	Oven Burner Tubing	409824-1	1
	Oven Burner Elbow	405643-F	1
	Oven Orifice Spud Propane	10901-49	1
	Oven Orifice Spud Butane	10901-50	1



PL-40441-1

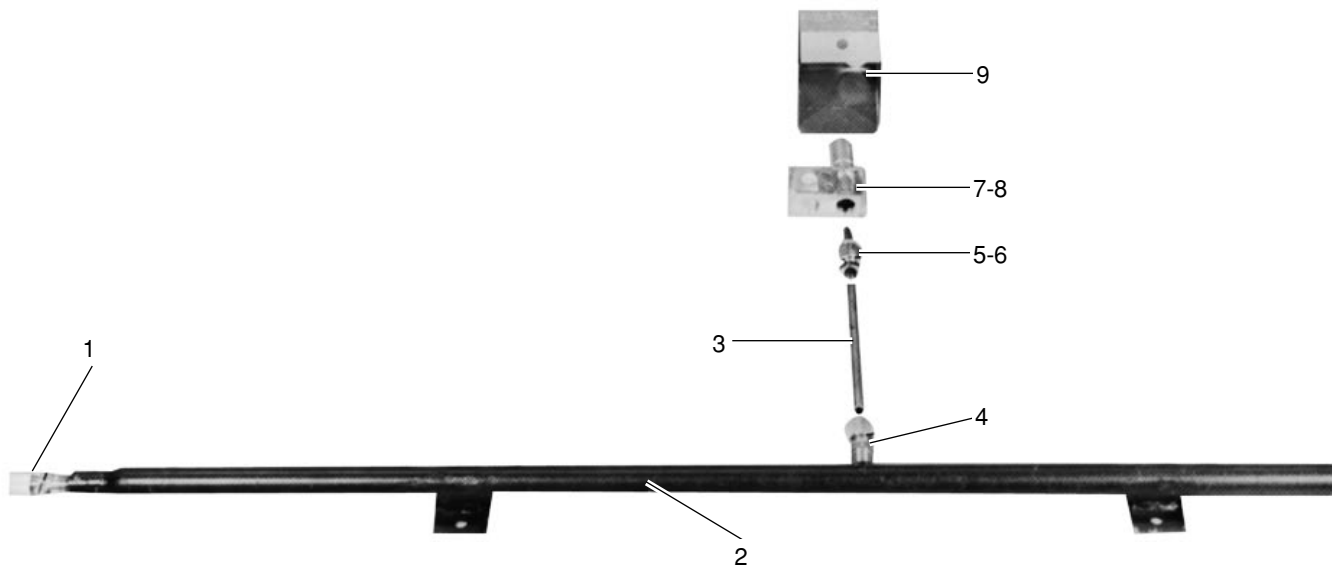
PARTS - OVEN BAFFLE ASSEMBLY

ITEM NO.	DESCRIPTION	HCBO40 PART NO.	QTY.
1	Oven Bottom Baffle	405124-5	1
2	Foil Face Insulation	405928-4	1
3	Oven Bottom Insulation Pan	409787-1	1



PARTS - OVEN SECTION HCBO40

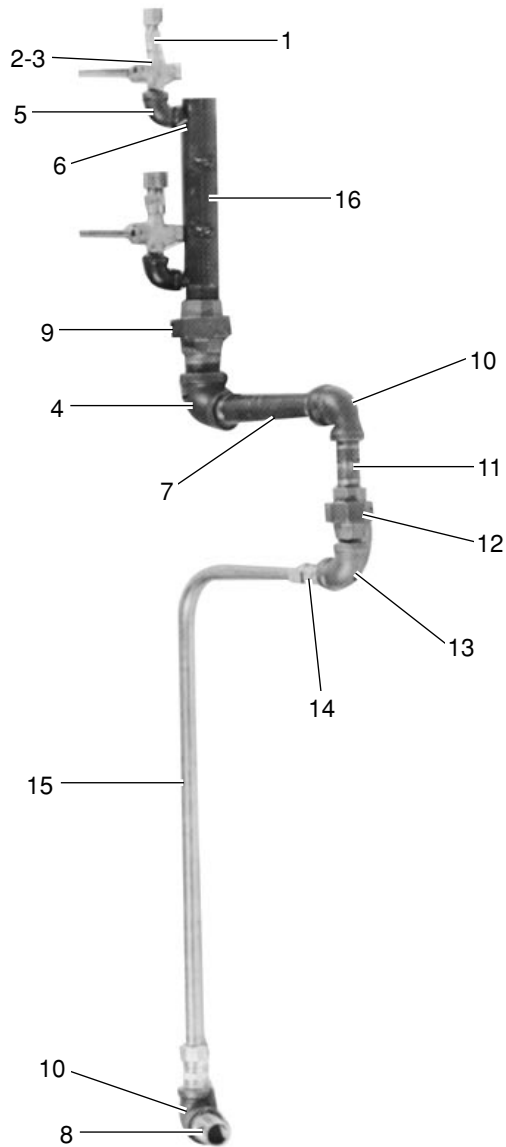
ITEM NO.	DESCRIPTION	HCBO40 PART NO.	QTY.
1	Burner Assembly (Oven)	409819-G2	1
2	Upper Rt. Aeration Pan	409677-1	1
3	Upper Lt. Aeration Pan	409677-3	1
4	Lighting Hole Cover	411928-1	2
5	Oven Bottom Assembly	405123-G3	1
6	Oven Rack	404074-2	2
7	Oven Side Lining Assem., Lt. Hd.	409778-G2	1
8	Oven Side Lining Assem., Rt. Hd.	409778-G1	1



PL-40443-1

PARTS - PILOT ASSEMBLY IR1, IR2, IR44

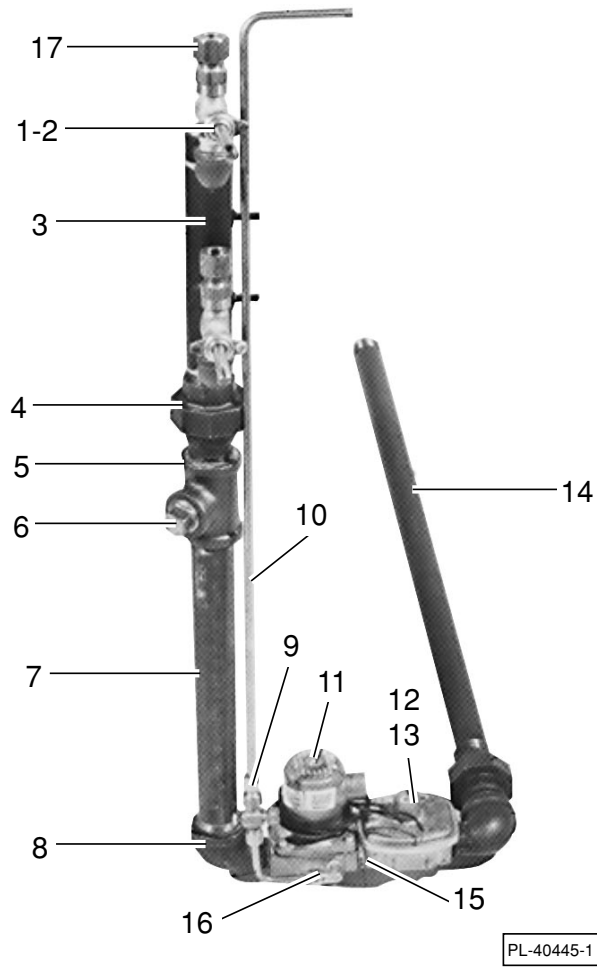
ITEM NO.	DESCRIPTION	IR1 PART NO.	QTY.	IR2 PART NO.	QTY.	IR44 PART NO.	QTY.
1	Pilot Adj. Valve	404738-3	1	404738-3	2	404738-3	1
2	Pilot - Sub Manifold	414860-1	1	414860-1	2	414860-1	1
3	Pilot Tube	414748-1	4	414748-1	8	414748-1	4
4	Fitting 1/8" MPT x 1/4" CC	FP-12-16	4	FP-12-16	8	FP-12-16	4
5	Pilot Orifice (NAT.)	408485-79	4	408485-79	8	408485-79	4
6	Pilot Orifice (PROPANE)	408485-87	4	408485-87	8	408485-87	4
7	Pilot Burner Nozzle (NAT.)	414795-1	4	414795-1	8	414795-1	4
8	Pilot Burner Nozzle (PROPANE)	414795-2	4	414795-2	8	414795-2	4
9	Pilot Support Housing	414862-1	4	414862-1	8	414862-1	4



PL-40444-1

PARTS - MANIFOLD ASSEMBLY (TOP) IR2

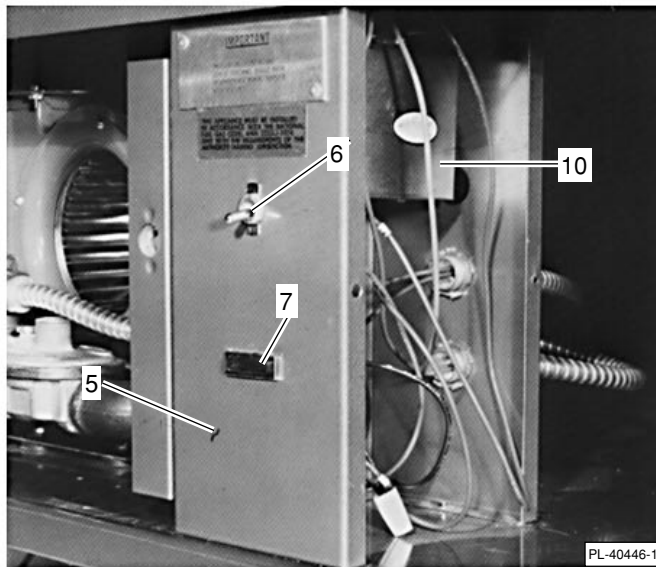
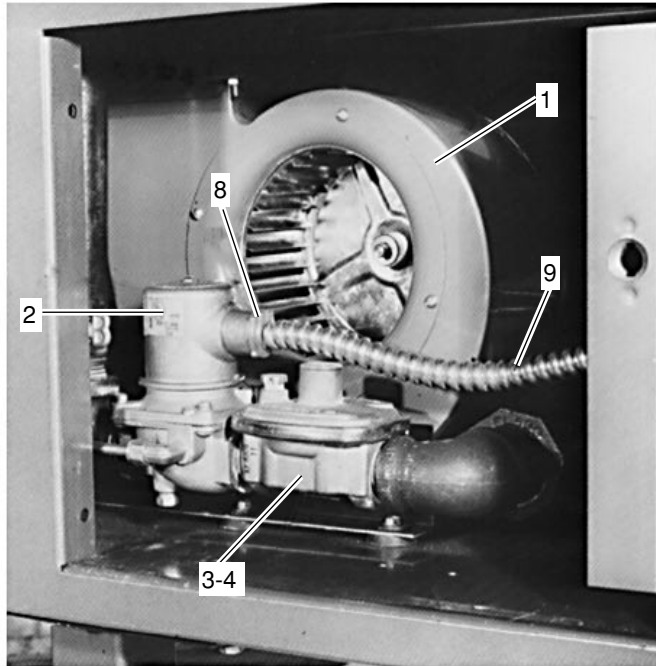
ITEM NO.	DESCRIPTION	IR2 PART NO.	QTY.
1	Fitting 3/8" x 1/2" CC	FP-12-1	2
2	HI-LO Valve (NAT.)	410610-8	2
3	HI-LOW Valve (PROPANE & BUTANE)	410610-9	2
4	Elbow - Reducing 3/4" 1" LG.	FP-79-97	1
5	Elbow - Reducing 1/4" x 3/8"	FP-16-2	2
6	Close Nipple 1/4"	413500-B7	2
7	Nipple 3/4" x 6 1/4" LG.	413500-E50	1
8	Nipple Closed 3/4"	413500-E11	1
9	Union - Male Female 1"	FP-85-61	1
10	Elbow - Reducing 1/2" x 3/4"	FP-78-89	2
11	Nipple 1/2" x 2 1/2" LG.	413500-D20	1
12	Union 1/2"	FP-22-11	1
13	Elbow 1/2" 90°	FP-77-68	1
14	Fitting 1/2" x 5/8" CC	FP-12-8	2
15	Nipple 3/4" x 2 1/4"	FP-59-76	1
16	Manifold Pipe Assembly	408199-G2	1



PARTS - MANIFOLD ASSEMBLY (BOTTOM) IR1 & IR2

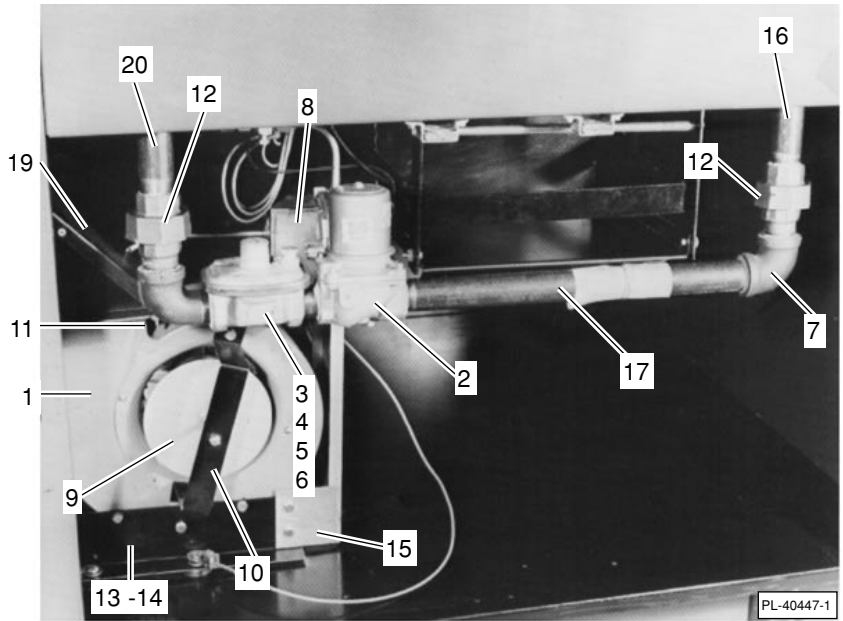
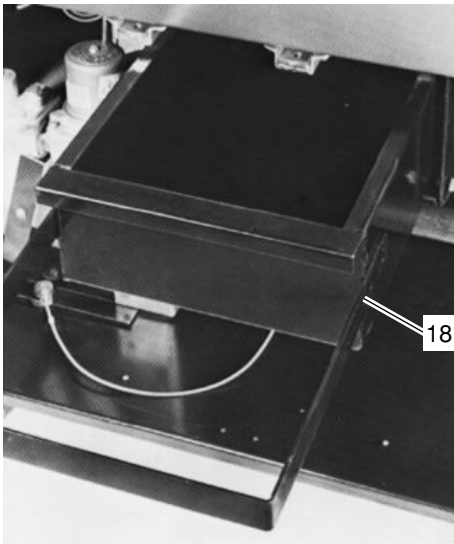
ITEM NO.	DESCRIPTION	IR1		IR2	
		PART NO.	QTY.	PART NO.	QTY.
1	HI-LOW Valve (PROPANE & BUTANE)	410610-9	2	410610-9	2
2	HI-LOW Valve (NAT.)	410610-8	2	410610-8	2
3	Manifold Assembly	408199-G2	1	408199-G2	1
4	Union 1" Male - Female	FP-85-61	2	FP-85-61	2
5	Tee Reducing 1" x 1" x 3/4"	FP-19-42	1	FP-19-42	1
6	Pipe Plug 3/4"	FP-28-18	1	FP-28-18	1
7	Nipple 1" x 12" LG.	413500-F96	1	413500-F96	1
8	Elbow Reducing 3/4" x 1"	FP-79-97	2	FP-79-97	2
9	"B" Valve	404949-1	1	404949-1	1
10	Pilot Tube	415156-1	1	415156-1	1
11	Solenoid	411497-F3	1	F11497-F3	1
12	Regulator (PROPANE OR BUTANE)	408279-21	1	408279-21	1
	[Select For Proper Gas]				
13	Regulator (NAT.)	408279-20	1	408279-20	1
14	Pipe 1" x 35" LG.	413500-F280	1	413500-F280	1
15	Nipple 3/4" x 1" LG.	413500-E8	3	413500-E8	3
16	Elbow Fitting 1/8" x 1/4" CC	FP-12-21	1	FP-12-21	1
17	Fitting 3/8" x 1/2" CC	FP-12-1	2	FP-12-1	2

NOTE: Photo shows street EI Manifold Construction.
 Proper construction uses (2) 3/4" x 1" reducing elbows FP-79-97 with (2) nipples 3/4" x 1" 413500-E8.



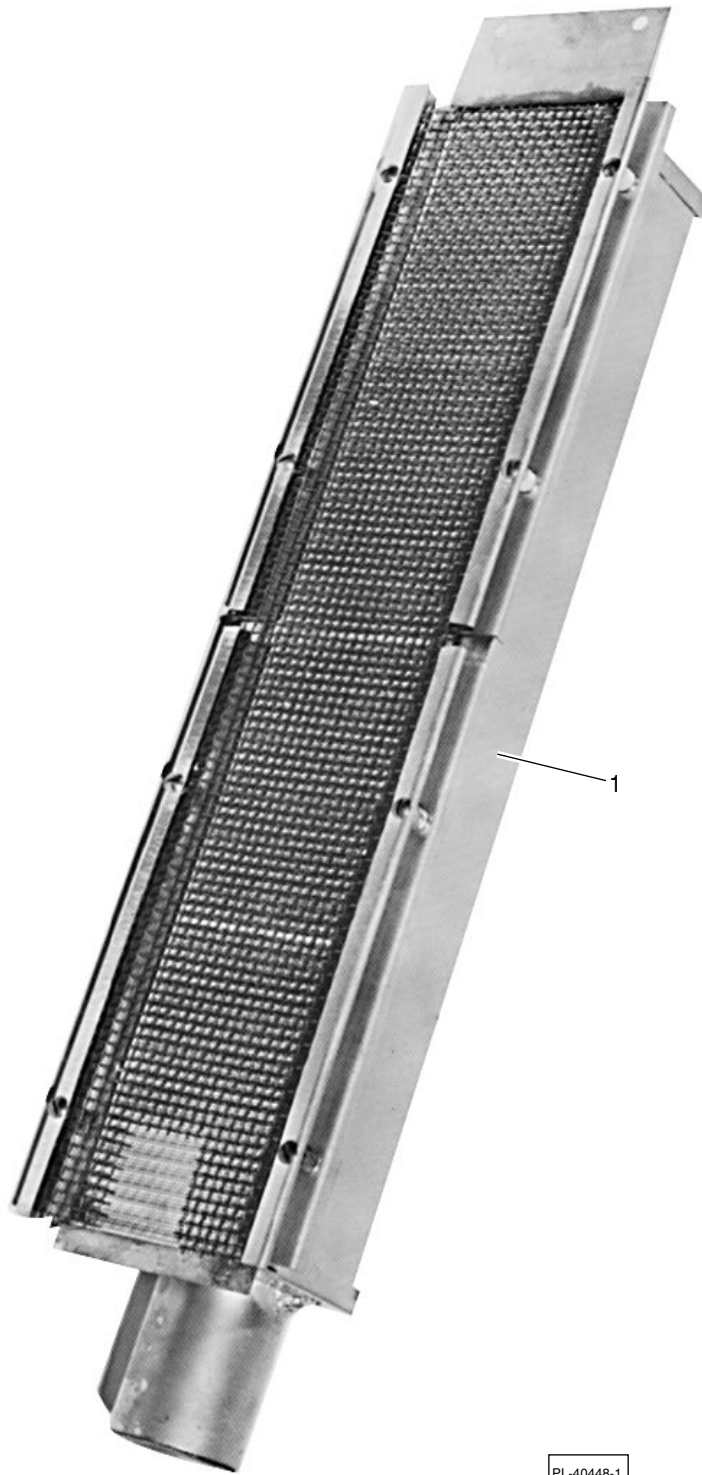
PARTS - BLOWER MOTOR IR1 & IR2

ITEM NO.	DESCRIPTION	IR1		IR2	
		PART NO.	QTY.	PART NO.	QTY.
1	Blower & Motor	413552-4	1	413552-4	1
2	Solenoid	411497-F3	1	411497-F3	1
3	Regulator (NAT.)	408279-20	1	408279-20	1
4	Regulator (PROPANE OR BUTANE)	408279-21	1	408279-21	1
5	Lock Panel	417858-2	1	417858-2	1
6	Toggle Switch	417812-1	1	417812-1	1
7	Signal Light	411496-E4	1	411496-E4	1
8	Tomic Connector 3/8"	FE-2-3	4	FE-2-3	4
9	Conduit 10" Long	414540-B10	1	414540-B10	1
10	Pressure Switch	409254-1	1	409254-1	1



PARTS - MANIFOLD CONTROLS IR44

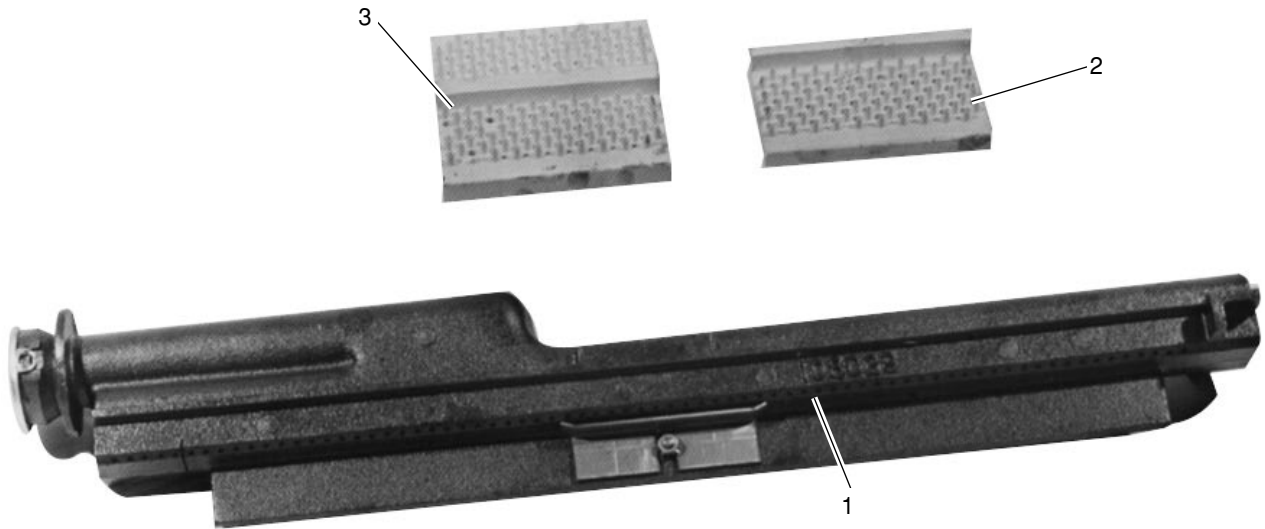
ITEM NO.	DESCRIPTION	IR44 PART NO.	QTY.
1	Blower & Motor	413552-4	1
2	Solenoid	411497-F3	1
3	Regulator (NAT.) 3/4"	408279-22	1
4	Regulator (PROPANE) 3/4" [Select for Proper Gas]	408279-21	1
5	Regulator (NAT.) 1 1/4"	408279-12	1
6	Regulator (PROPANE) 1 1/4"	408279-13	1
7	Elbow 3/4" 90 Degree	FP-13-22	1
8	Pressure Switch	414755-1	1
9	Air Disc	409696-G1	1
10	Disc Support	413551-1	1
11	Street El 3/4"	FP-18-11	1
12	Union 3/4" Male - Female	FP-85-60	2
13	Support Angles, Left	413550-1	1
14	Support Angles Right	413550-2	1
15	Bracket	413556-1	1
16	Riser Pipe 3/4" x 8 3/4"	413500-E70	1
17	Pipe 3/4" x 13 1/16"	413500-E103	1
18	Grease Pan	400994-G1	1
19	Air Duct Cover	414757-3	1
20	Drop Pipe 3/4" x 12 1/4"	413500-E98	1
	Air Tube	414867-1	1
	Nipple - Closed 3/4"	413500-E11	1
	Air Duct	414756-1	1



PL-40448-1

PARTS - BURNER ASSEMBLY IR1 & IR2

ITEM NO.	DESCRIPTION	IR1 PART NO.	QTY.	IR2 PART NO.	QTY.
1	Infrared Burner Assembly	414754-3	4	414754-3	8



PL-40449-1

PARTS - BURNER ASSEMBLY & CERAMICS HCB1 & HCB2

ITEM NO.	DESCRIPTION	HCB1 PART NO.	QTY.	HCB2 PART NO.	QTY.
1	Burner Assembly	411551-G1	4	411551-G1	8
2	Burner Ceramic - Sides	404146-1	8	404146-1	16
3	Burner Ceramic - Center	404145-1	12	404145-1	24

