



# CATALOG OF REPLACEMENT PARTS

## 1HF85CF STAND ALONE FRYER

ML-136819

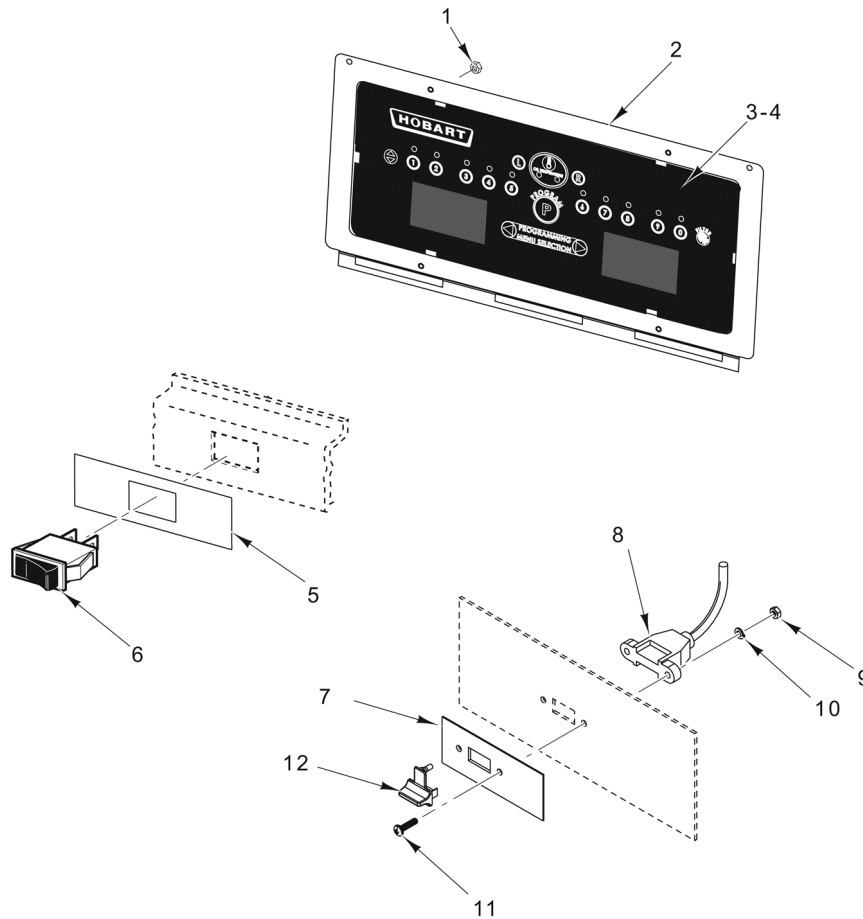
1HF85CF





**Table of Contents**

|    |                          |
|----|--------------------------|
| 5  | CONTROL PANEL            |
| 7  | POWER SUPPLY BOX         |
| 9  | BODY ASSEMBLY            |
| 11 | HEATING ELEMENT ASSEMBLY |
| 13 | TANK AND DRAIN           |
| 15 | OIL RETURN               |
| 17 | FILTER ASSEMBLY          |
| 19 | BASKETLIFT COMPONENTS    |

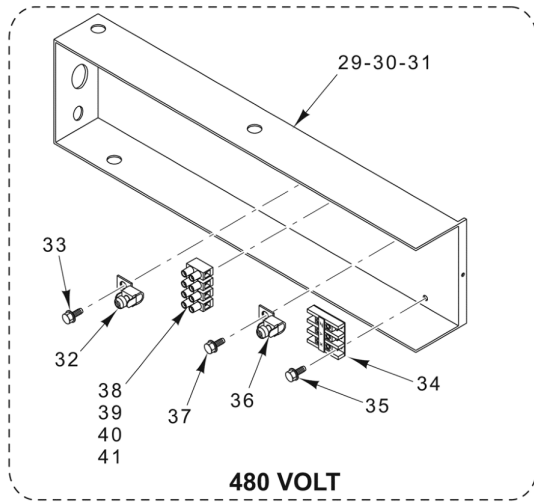
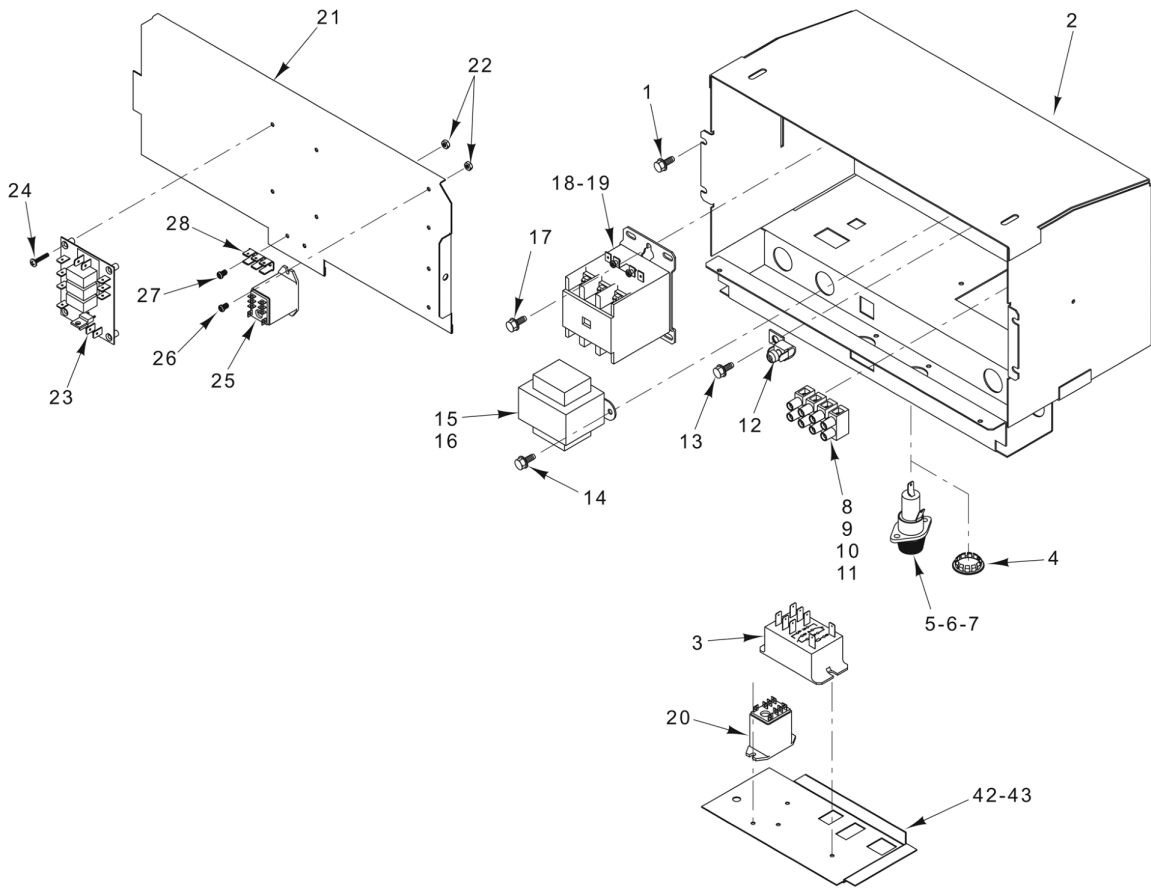


PL-60008

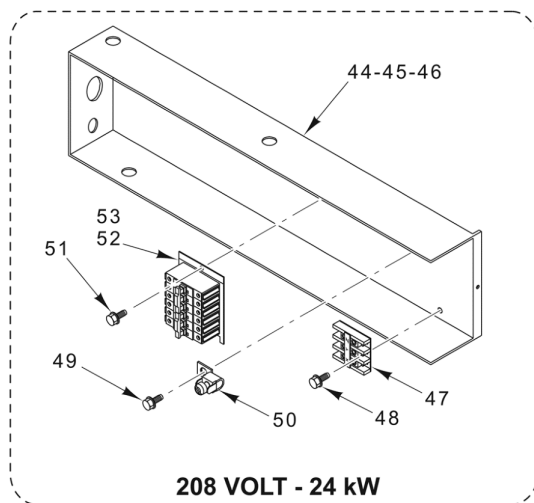
### CONTROL PANEL

**CONTROL PANEL**

| <b>ILLUS.</b>   | <b>PART NO.</b> | <b>NAME OF PART</b>   | <b>AMT.</b> |
|-----------------|-----------------|---|-------------|
| <b>PL-60008</b> |                 |   |             |
| 1               | NS-046-89       | Nut Assy. 6-32 Hex.....                                     | 4           |
| 2               | 00-426815-000G2 | Plate Assy. - Mounting.....                                 | 1           |
| 3               | 00-913012-00004 | Computer Cooking Assy. (Filter Button) (Incls. Item 4)..... | 1           |
| 4               | 00-958621-00001 | Overlay - Hobart (Filter Button).....                       | 1           |
| 5               | 00-428906-00001 | Overlay - Power.....  | 1           |
| 6               | 00-427755-000G1 | Rocker Switch Assy.....                                     | 1           |
| 7               | 00-428906-00004 | Overlay (USB Port).....                                     | 1           |
| 8               | 00-959000-000G1 | Cable Assy. (USB) (1 Ft.) (Incls. Items 9 thru 12).....     | 1           |
| 9               |                 | Nut 4-40 Hex.....   | 2           |
| 10              |                 | Lockwasher #4.....  | 2           |
| 11              |                 | Screw 4-40 x 1/2.....                                       | 2           |
| 12              | 00-959000-00002 | Cap (USB).....  | 1           |



**480 VOLT**



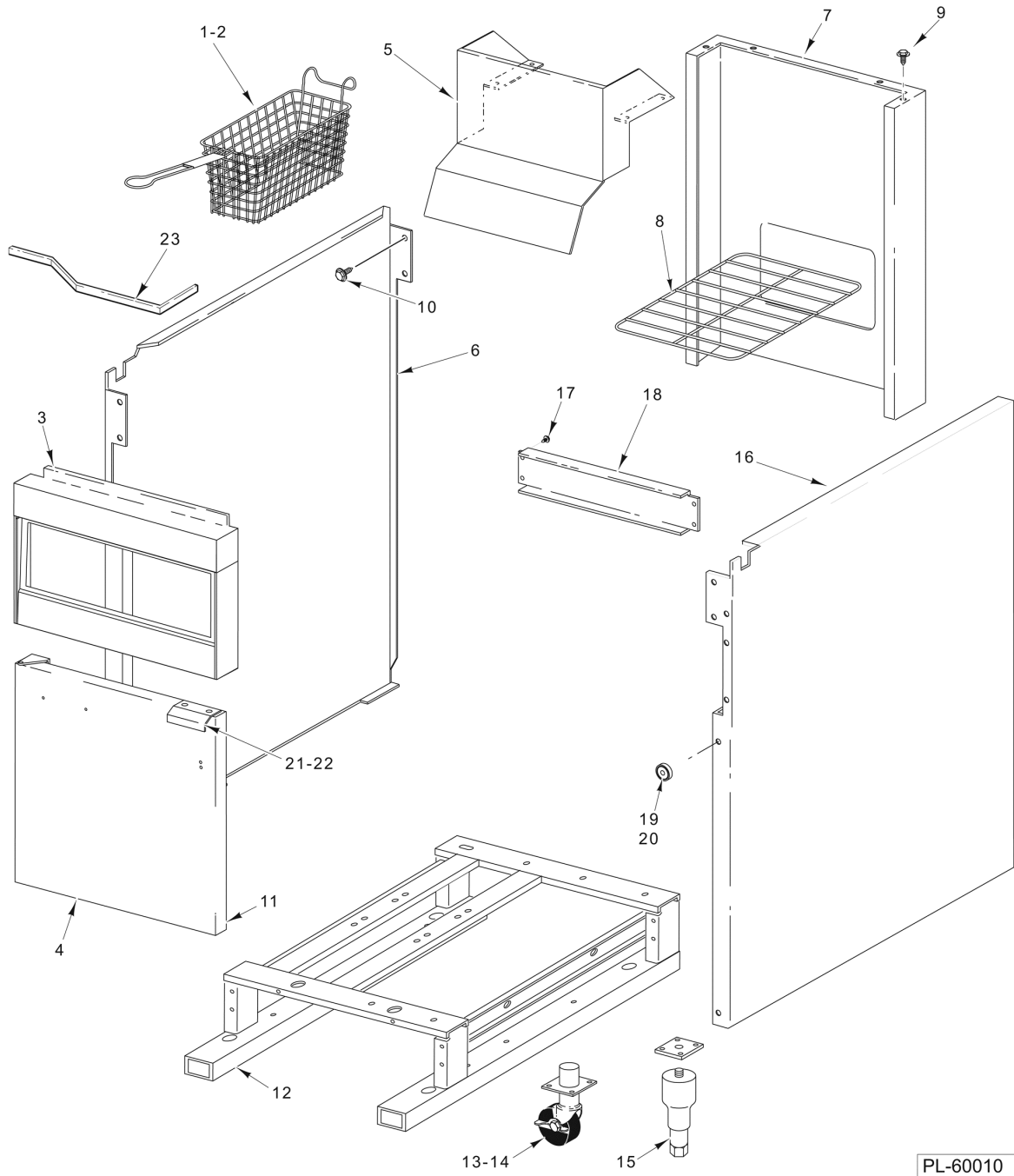
**208 VOLT - 24 kW**

PL-60009

**POWER SUPPLY BOX**

## POWER SUPPLY BOX

| ILLUS. | PART NO.        | NAME OF PART  | AMT. |
|--------|-----------------|---|------|
|        | PL-60009        |   |      |
| 1      | SD-036-80       | Self-Tapping Screw 8-32 x 3/8 Hex Washer Hd., Type TT.....  | 4    |
| 2      | 00-497095-00002 | Box - Power Supply.....                                     | 1    |
| 3      | 00-428864-00001 | Relay (Filter).....   | 1    |
| 4      | PB-002-26       | Plug - Button.....  | AR   |
| 5      | SD-036-80       | Self-Tapping Screw 8-32 x 3/8 Hex Washer Hd., Type TT.....  | 4    |
| 6      | FE-019-40       | Fuse (15 Amp., 300 V.).....                                 | 2    |
| 7      | FE-023-55       | Holder - Fuse (15 Amp., 300 V.).....                        | 2    |
| 8      | 00-414208-00002 | Barrier - Terminal.....                                     | 1    |
| 9      | NS-009-07       | Nut 6-32 Hex.....   | 2    |
| 10     | SC-119-90       | Mach. Screw 6-32 x 1 Slotted Pan Hd.....                    | 2    |
| 11     | WL-004-40       | Lockwasher #10 Helical.....                                 | 2    |
| 12     | 00-417856-00001 | Lug - Grounding (With Set Screw).....                       | 1    |
| 13     | SD-032-07       | Self-Tapping Screw 10-24 x 1/2 Hex Washer Hd., Type TT..... | 1    |
| 14     | SD-032-07       | Self-Tapping Screw 10-24 x 1/2 Hex Washer Hd., Type TT..... | 2    |
| 15     | 00-411500-00012 | Transformer (120 VAC, 28 V., 40 VA).....                    | 1    |
| 16     | 00-411500-00013 | Transformer (200-240 VAC, 28 V., 20 VA).....                | 1    |
| 17     | SD-036-96       | Self-Tapping Screw 8-18 x 3/4 Hex Hd., Type AB.....         | 8    |
| 18     | 00-411497-000C5 | Contacto (3-Pole) (40 Amp., 230 V.).....                    | 4    |
| 19     | 00-411497-000C3 | Contacto (3-Pole) (40 Amp., 120 V.).....                    | 4    |
| 20     | 00-416535-00004 | Switch - Relay (24 V.).....                                 | 1    |
| 21     | 00-497096-00002 | Plate - Temperature Board.....                              | 1    |
| 22     | NS-009-02       | Nut 4-40 Hex.....   | 4    |
| 23     | 00-427759-00001 | Control - Interface.....                                    | 1    |
| 24     | SD-024-40       | Self-Tapping Screw 6-32 x 5/8 Phil. Pan Hd., Type TT.....   | 4    |
| 25     | 00-416535-00004 | Switch - Relay (24 V.).....                                 | 1    |
| 26     | SC-060-23       | Mach. Screw 4-40 x 1/4 Slotted Rd. Hd.....                  | 2    |
| 27     | SC-060-23       | Mach. Screw 4-40 x 1/4 Slotted Rd. Hd.....                  | 2    |
| 28     | 00-419317       | Terminal - Stationary.....                                  | 1    |
| 29     | 00-497266-000G4 | Box - Power Supply (480 V.) (Incls. Items 30 thru 41).....  | 1    |
| 30     | 00-428270-000G3 | Box - Breaker.....  | 1    |
| 31     | 00-428271-00005 | Lid - Breaker Box Small.....                                | 1    |
| 32     | 00-417856-00001 | Lug - Grounding (With Set Screw).....                       | 1    |
| 33     | SD-036-96       | Self-Tapping Screw 8-18 x 3/4 Hex Hd., Type AB.....         | 1    |
| 34     | 00-410472-00008 | Block - Terminal (3-Pole).....                              | 1    |
| 35     | SD-036-96       | Self-Tapping Screw 8-18 x 3/4 Hex Hd., Type AB.....         | 1    |
| 36     | 00-417856-00001 | Lug - Grounding (With Set Screw).....                       | 1    |
| 37     | SD-036-96       | Self-Tapping Screw 8-18 x 3/4 Hex Hd., Type AB.....         | 1    |
| 38     | 00-414208-00002 | Barrier - Terminal.....                                     | 1    |
| 39     | NS-009-07       | Nut 6-32 Hex.....   | 2    |
| 40     | SC-119-90       | Mach. Screw 6-32 x 1 Slotted Pan Hd.....                    | 2    |
| 41     | WL-004-40       | Lockwasher #10 Helical.....                                 | 2    |
| 42     | 00-499219-000G1 | Plate - Control Mounting (Incls. Items 3, 20, & 43).....    | 1    |
| 43     | 00-499219-00001 | Plate - Control Mount.....                                  | 1    |
| 44     | 00-497266-000G2 | Box - Power Supply (208 V.) (Incls. Items 45 thru 53).....  | 1    |
| 45     | 00-428270-000G2 | Box - Breaker.....  | 1    |
| 46     | 00-428271-00004 | Lid Breaker Box With Breakers.....                          | 1    |
| 47     | 00-410472-00008 | Block - Terminal (3-Pole).....                              | 1    |
| 48     | SD-036-96       | Self-Tapping Screw 8-18 x 3/4 Hex Hd., Type AB.....         | 2    |
| 49     | SD-036-96       | Self-Tapping Screw 8-18 x 3/4 Hex Hd., Type AB.....         | 1    |
| 50     | 00-417856-00001 | Lug - Grounding (With Set Screw).....                       | 1    |
| 51     | SD-036-96       | Self-Tapping Screw 8-18 x 3/4 Hex Hd., Type AB.....         | 2    |
| 52     | 00-497265-00001 | Breaker (3-Pole) (208 V.).....                              | 2    |
| 53     | 00-497361-00002 | Stand - Breaker.....  | 1    |
|        | 00-497096-00003 | Control Panel Extension.....                                | 1    |

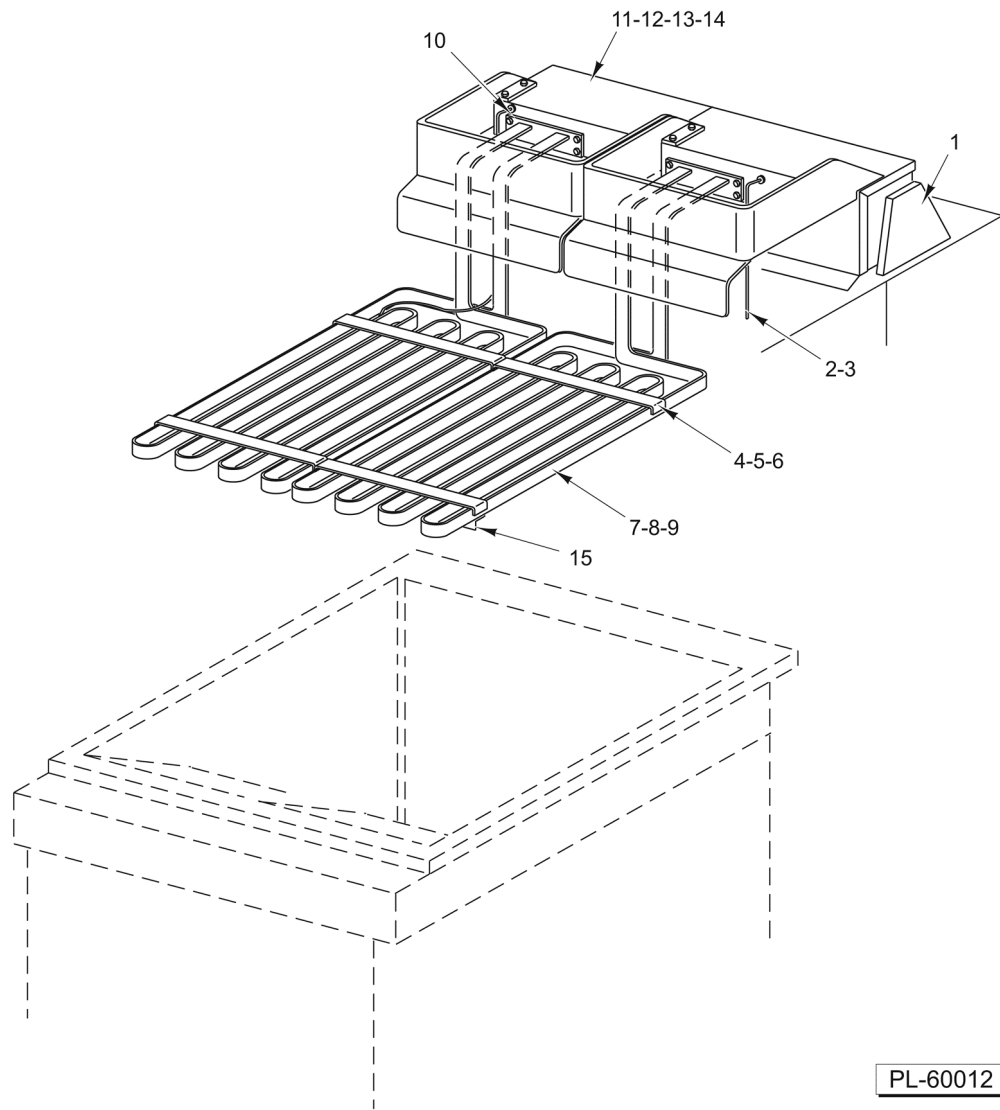


**BODY ASSEMBLY**



**BODY ASSEMBLY**

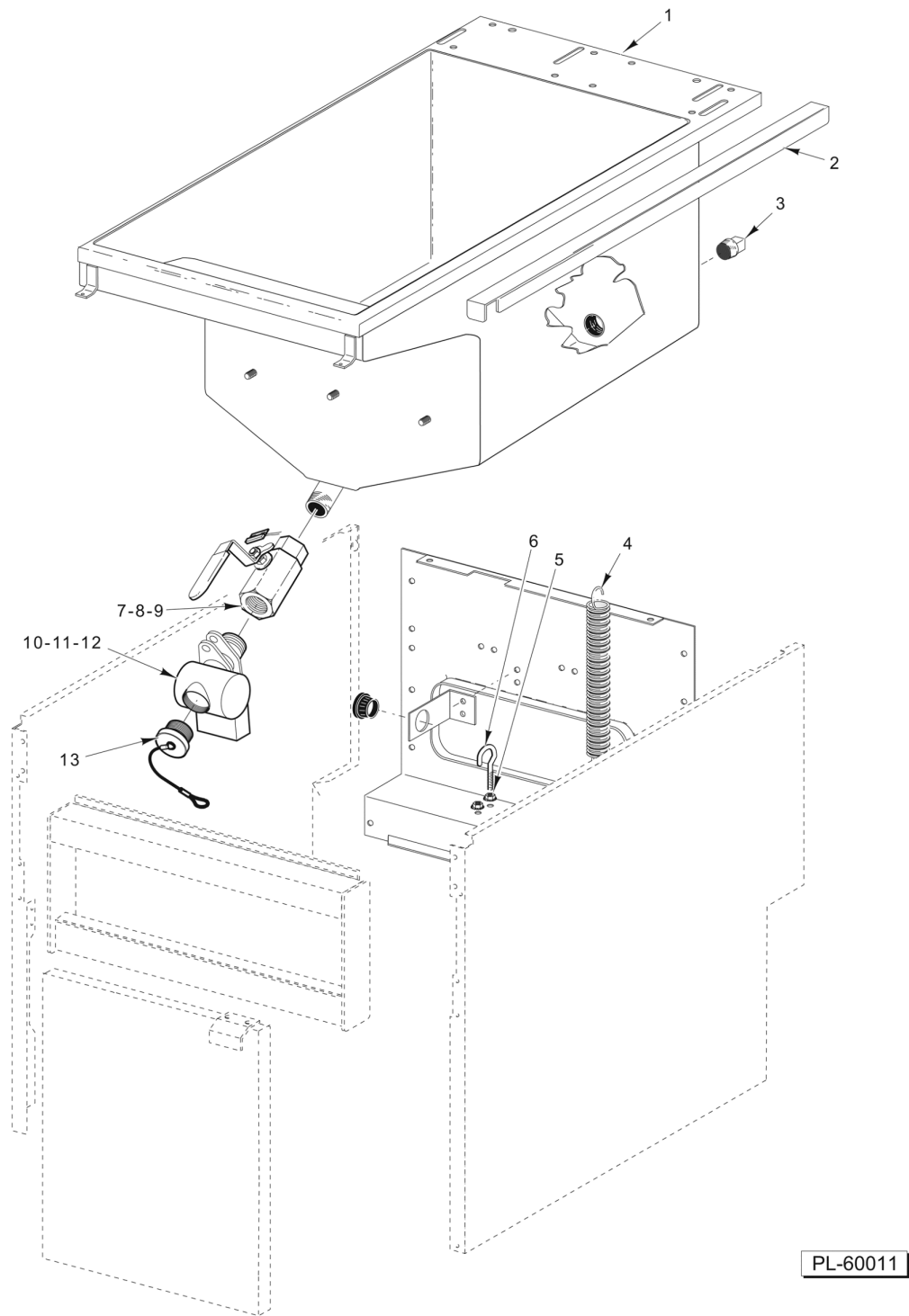
| ILLUS.   | PART NO.        | NAME OF PART  | AMT. |
|----------|-----------------|---|------|
| PL-60010 |                 |   |      |
| 1        | 00-499223-00004 | Basket - Twin.....  | AR   |
| 2        | 00-499223-00011 | Basket - Single.....  | AR   |
| 3        | 00-426806-000G4 | Frame - Front Assy.....                                     | 1    |
| 4        | 00-499487-000G7 | Door Assy. (LH) (With Hinge) (SST).....                     | 1    |
| 5        | 00-421912-000G1 | Hanger - Single Basket.....                                 | 1    |
| 6        | 00-419777-00003 | Body - LH Side (SST).....                                   | 1    |
| 7        | 00-422020-000G4 | Flue Wrap (SST).....  | 1    |
| 8        | 00-427883-00004 | Screen - Basket Support.....                                | 1    |
| 9        | SD-032-07       | Self-Tapping Screw 10-24 x 1/2 Hex Washer Hd., Type TT..... | 2    |
| 10       | SD-032-07       | Self-Tapping Screw 10-24 x 1/2 Hex Washer Hd., Type TT..... | 8    |
| 11       | 00-420769-00001 | Bumper - Rubber.....  | 1    |
| 12       | 00-956906-000G4 | Body - Bottom Frame.....                                    | 1    |
| 13       | 00-418907-00001 | Caster - Swivel Assy. (Adjustable).....                     | 2    |
| 14       | 00-418907-00003 | Caster.....   | 2    |
| 15       | 00-413112-00007 | Leg (6-1/4 In.) (SST).....                                  | 4    |
| 16       | 00-419777-00004 | Body - RH Side (SST).....                                   | 1    |
| 17       | SD-032-07       | Self-Tapping Screw 10-24 x 1/2 Hex Washer Hd., Type TT..... | 10   |
| 18       | 00-418320-00001 | Bracket - Rear Support.....                                 | 1    |
| 19       | RS-032-96       | Rivet - Pop.....  | 1    |
| 20       | 00-497296-000G1 | Magnet Assy.....  | 1    |
| 21       | 00-419653       | Handle.....   | 1    |
| 22       | RS-032-96       | Rivet - Pop.....  | 2    |
| 23       | 00-409300-00005 | Rod - Clean-Out.....  | 1    |
|          | 00-421756-00001 | Brush - Fryer Cleaning.....                                 | 1    |



**HEATING ELEMENT ASSEMBLY**

## HEATING ELEMENT ASSEMBLY

| ILLUS.   | PART NO.        | NAME OF PART                          | AMT. |
|----------|-----------------|---------------------------------------|------|
| PL-60012 |                 |                                       |      |
| 1        | 00-422415-000G1 | Wire Chase Assy.....                  | 1    |
| 2        | 00-422737-00001 | Probe - Thermistor.....               | 1    |
| 3        | 00-419592-00001 | Clip - Thermistor Probe.....          | AR   |
| 4        | 00-416782-00001 | Bracket - Hi-Limit.....               | AR   |
| 5        | 00-422380-00001 | Clamp - Rear Lower Element.....       | 1    |
| 6        | 00-422381-000G1 | Clamp - Top Element Assy.....         | 4    |
| 7        | 00-421892-000G1 | Element Assy. (208 V., 12000 kW)..... | 2    |
| 8        | 00-421892-000G4 | Element Assy. (480 V., 12000 kW)..... | 2    |
| 9        | 00-421892-000G3 | Element Assy. (240 V., 12000 kW)..... | 2    |
| 10       | 00-414305-00001 | Gasket - Wire Chase.....              | 2    |
| 11       | 00-421829-000G1 | Element Head Assy.....                | 1    |
| 12       | 00-426801-00001 | Switch - Wired.....                   | 1    |
| 13       | 00-414146-00002 | Thermostat Hi-Limit.....              | 1    |
| 14       | 00-426801-00002 | Magnet - Switch Element Head.....     | 1    |
| 15       | 00-422414-00001 | Clamp - Front Lower Element.....      | 1    |

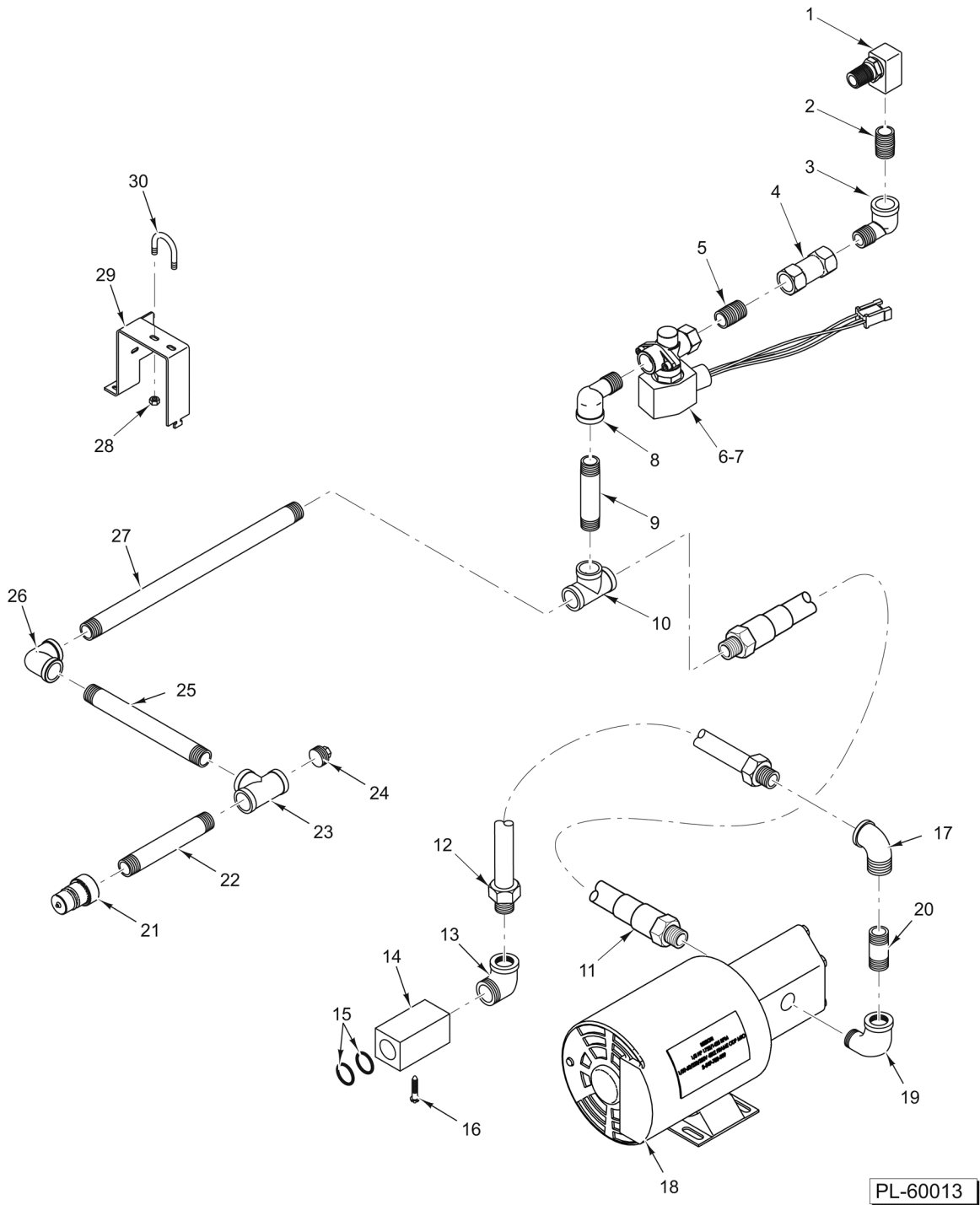


PL-60011

### TANK AND DRAIN

## TANK AND DRAIN

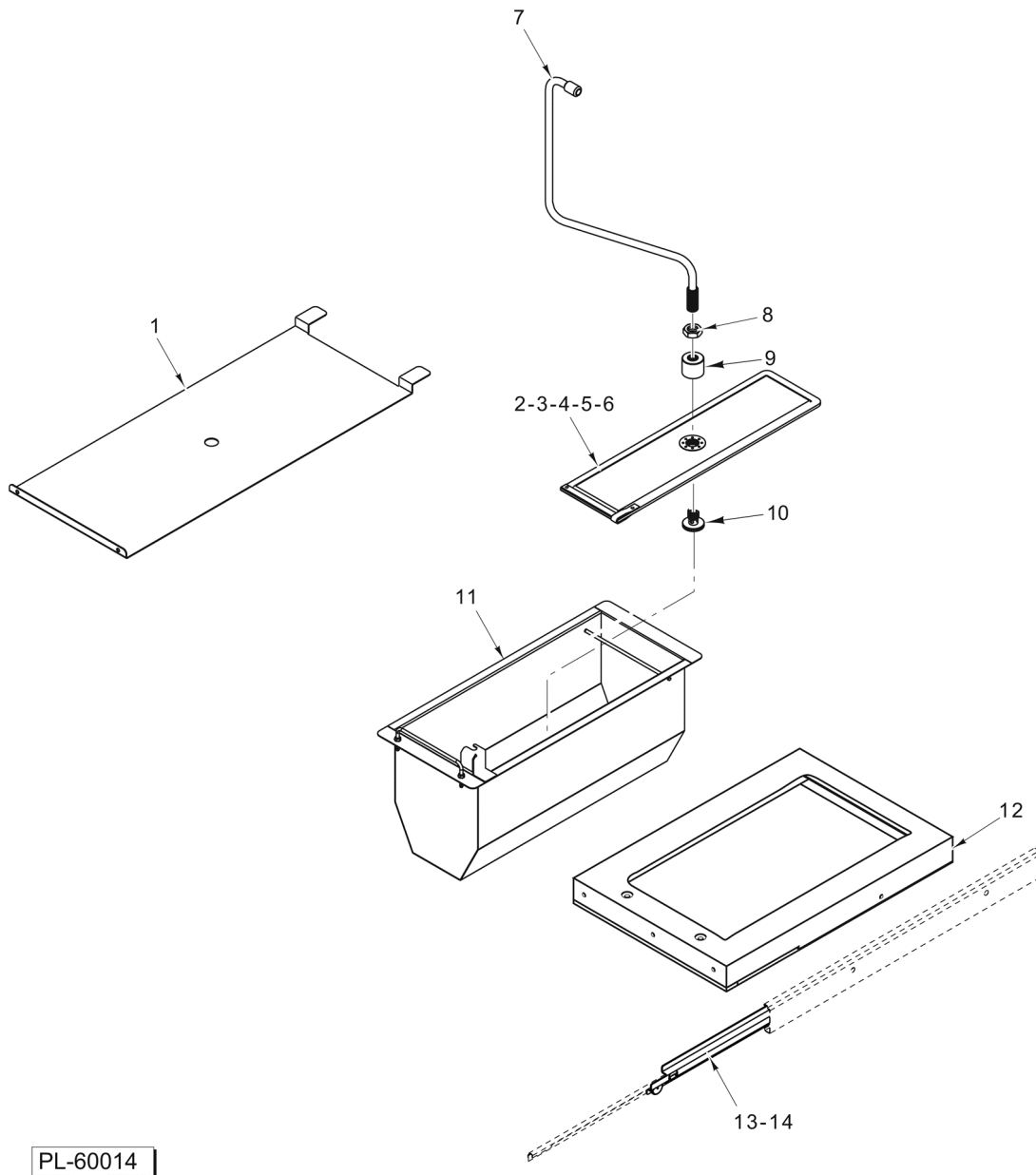
| ILLUS.   | PART NO.        | NAME OF PART                          | AMT. |
|----------|-----------------|---------------------------------------|------|
| PL-60011 |                 |                                       |      |
| 1        | 00-421842-000G3 | Tank Assy.....                        | 1    |
| 2        | 00-410863-00007 | Channel - Grease.....                 | 1    |
| 3        | FP-028-14       | Pipe - Plug 1/2 Sq. Hd.....           | AR   |
| 4        | 00-406363-00001 | Spring.....                           | AR   |
| 5        | NS-047-69       | Lock Nut 6-32 Hex.....                | AR   |
| 6        | 00-402570-00003 | Eye Bolt.....                         | AR   |
| 7        | 00-426803-000G8 | Valve Assy. (Incls. Items 8 & 9)..... | 1    |
| 8        | 00-426805-000G1 | Switch Assy.....                      | 1    |
| 9        | 00-426801-00002 | Magnet - Switch Element Head.....     | 1    |
| 10       | 00-956829-000G2 | Pipe - Drain.....                     | 1    |
| 11       | 00-420726-00003 | Flange - Pipe (1-1/4).....            | 1    |
| 12       | 00-420553-00002 | Gasket - Silicone.....                | 1    |
| 13       | 00-497571-000G1 | Plug - Drain.....                     | 1    |
|          | 00-422377-000G1 | Brace - Spring Retainer.....          | 1    |
|          | 00-497572-000G2 | Pipe - Boil Out Bypass.....           | 1    |
|          | 00-958043       | Guide - Suction Block.....            | 1    |



**OIL RETURN**

## OIL RETURN

| ILLUS.   | PART NO.        | NAME OF PART                                      | AMT. |
|----------|-----------------|---|------|
| PL-60013 |                 |   |      |
| 1        | 00-419251-00001 | Fitting - 90 Deg. Swivel.....                     | 1    |
| 2        | FP-035-95       | Pipe 1/2 x 2 TBE.....                             | 1    |
| 3        | FP-013-17       | Elbow - Street 1/2 x 90 Deg.....                  | 1    |
| 4        | 00-418786-00001 | Valve - Check.....                                | 1    |
| 5        | FP-035-91       | Pipe 1/2 x 1-1/8 TBE.....                         | 1    |
| 6        | 00-428691-00002 | Valve - Solenoid (120 V.).....                    | 1    |
| 7        | 00-428691-00003 | Valve - Solenoid (208 V.).....                    | 1    |
| 8        | FP-013-17       | Elbow - Street 1/2 x 90 Deg.....                  | 1    |
| 9        | FP-059-18       | Pipe 1/2 x 3-1/2 TBE.....                         | 1    |
| 10       | FP-019-25       | Tee 1/2 x 1/2 x 1/2.....                          | 1    |
| 11       | 00-426602-00001 | Tube - Flex (12 In.).....                         | 1    |
| 12       | 00-426602-00004 | Tube - Flex (19 In.).....                         | 1    |
| 13       | FP-013-17       | Elbow - Street 1/2 x 90 Deg.....                  | 1    |
| 14       | 00-426567-00003 | Receptacle - Oil Suction.....                     | 1    |
| 15       | 00-426567-00002 | O-Ring (Viton).....                               | 2    |
| 16       | SC-114-01       | Mach. Screw 10-32 x 3/8 Hex Washer Hd.....        | 2    |
| 17       | FP-077-68       | Elbow 1/2 x 90 Deg.....                           | 1    |
| 18       | 00-417792-00008 | Pump Motor Assy. (115 V., 60 Hz.) (8 G.P.M.)..... | 1    |
| 19       | FP-077-68       | Elbow 1/2 x 90 Deg.....                           | 1    |
| 20       | FP-035-95       | Pipe 1/2 x 2 TBE.....                             | 1    |
| 21       | 00-418781-00001 | Quick Disconnect.....                             | 1    |
| 22       | FP-059-12       | Pipe 1/2 x 4 TBE.....                             | 1    |
| 23       | FP-019-25       | Tee 1/2 x 1/2 x 1/2.....                          | 1    |
| 24       | FP-089-97       | Plug - Pipe 1/2 Sq. Hd.....                       | 1    |
| 25       | FP-067-06       | Pipe 1/2 x 6-3/4 TBE.....                         | 1    |
| 26       | FP-077-68       | Elbow 1/2 x 90 Deg.....                           | 1    |
| 27       | FP-090-81       | Pipe 1/2 x 13-1/2 TBE.....                        | 1    |
| 28       | NS-046-52       | Nut Assy. 1/4-20 Hex.....                         | 2    |
| 29       | 00-956905-00001 | Bracket - Oil Return.....                         | 1    |
| 30       | 00-521820       | U-Bolt.....                                       | 1    |



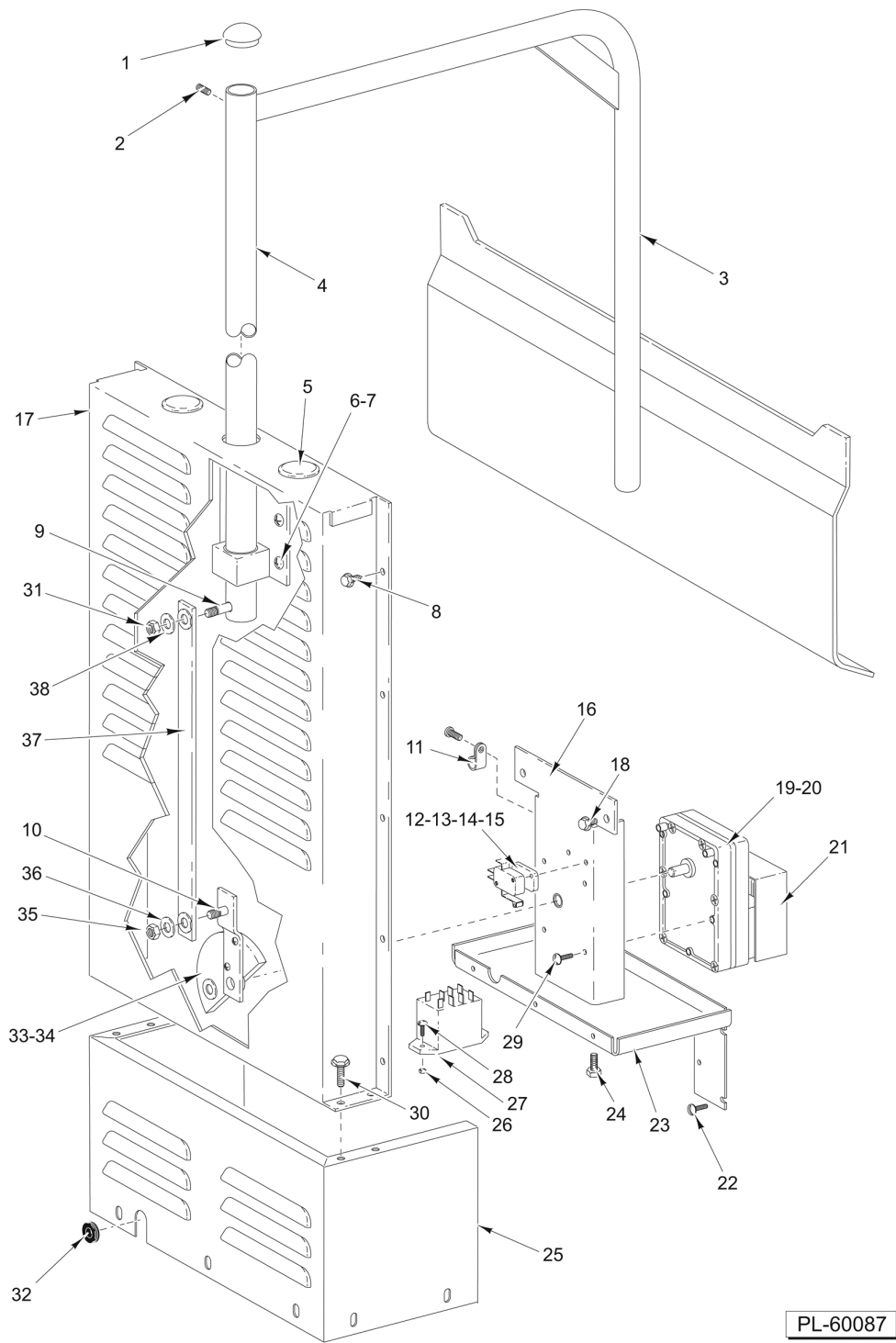
PL-60014

### FILTER ASSEMBLY



### FILTER ASSEMBLY

| ILLUS. | PART NO.        | NAME OF PART                              | AMT. |
|--------|-----------------|---|------|
| 1      | 00-956904-00002 | Splash Guard.....                         | 1    |
| 2      | 00-499087-00004 | Screen - Fine Mesh Filter.....            | 1    |
| 3      | 00-499085-00006 | Insert - Filter Screen.....               | 1    |
| 4      | 00-499085-00007 | Insert - Envelope.....                    | 1    |
| 5      | 00-499086-000G3 | Filter - Envelope (6 Pk Hobart).....      | 1    |
| 6      | 00-499089-00003 | Clip - Filter.....                        | 1    |
| 7      | 00-499081-000G8 | Tube - Suction.....                       | 1    |
| 8      | NS-017-49       | Jam Nut 3/4-16 Hex.....                   | 1    |
| 9      | 00-499083-00002 | Coupling - Suction.....                   | 1    |
| 10     | 00-499084-00002 | Port - Suction.....                       | 1    |
| 11     | 00-958000-000G8 | Pan Assy. - Filter.....                   | 1    |
| 12     | 00-956907-000G4 | Top - Counter Assy.....                   | 1    |
| 13     | 00-913142-00002 | Guide Roller Assy. (RH) (27-1/2 In.)..... | 1    |
| 14     | 00-913142-00001 | Guide Roller Assy. (LH) (27-1/2 In.)..... | 1    |
|        | 00-413927-00001 | Grommet - Rubber.....                     | AR   |



### BASKETLIFT COMPONENTS

## BASKETLIFT COMPONENTS

| ILLUS.<br>PL-60087 | PART NO.        | NAME OF PART   | AMT. |
|--------------------|-----------------|--|------|
| 1                  | PB-004-04       | Plug Button (1-1/4).....                                       | 1    |
| 2                  | SC-088-40       | Set Screw 5/16-24 x 1/4 Hex Hdls., Cup Pt.....                 | 2    |
| 3                  | 00-956914-000G6 | Lift Assy.....   | 1    |
| 4                  | 00-418503-00002 | Tube.....  | 1    |
| 5                  | PB-004-04       | Plug Button (1-1/4).....                                       | 2    |
| 6                  | SD-037-80       | Self-Tapping Screw 10-24 x 1/2 Hex Washer Hd., Type TT.....    | 6    |
| 7                  | 00-422247-000G1 | Bearing Support Assy.....                                      | 1    |
| 8                  | SD-036-03       | Self-Tapping Screw 8-18 x 3/8 Hex Washer Hd., Type AB.....     | 10   |
| 9                  | SC-101-06       | Shoulder Screw 3/8 Dia. x 1-1/4 Lg. 5/16-18 Hex Socket Hd..... | 1    |
| 10                 | SC-086-06       | Shoulder Screw 3/8 Dia. x 1/4 Lg. 5/16-18 Hex Socket Hd.....   | 1    |
| 11                 | 00-078752-00012 | Clamp - Cable.....   | 1    |
| 12                 | 00-418159-00001 | Block - Cam Switch.....  | 1    |
| 13                 | 00-411496-000F3 | Microswitch.....   | 1    |
| 14                 | SC-112-90       | Mach. Screw 4-40 x 1 Slotted Pan Hd.....                       | 2    |
| 15                 | NS-009-12       | Nut 8-32 Hex.....  | 2    |
| 16                 | 00-418123-000G1 | Plate - Motor.....   | 1    |
| 17                 | 00-422018-00001 | Wrap - Top.....  | 1    |
| 18                 | SD-037-80       | Self-Tapping Screw 10-24 x 1/2 Hex Washer Hd., Type TT.....    | 6    |
| 19                 | 00-418156-00001 | Gear - Motor (115 V., 60 Hz.).....                             | 1    |
| 20                 | 00-418156-00002 | Gear - Motor (230 V., 50/60 Hz.).....                          | 1    |
| 21                 | 00-418517-00001 | Shroud - Motor.....  | 1    |
| 22                 | SD-032-07       | Self-Tapping Screw 10-24 x 1/2 Hex Washer Hd., Type TT.....    | 4    |
| 23                 | 00-418513-00001 | Base - Motor Mounting.....                                     | 1    |
| 24                 | SC-037-80       | Mach. Screw 10-24 x 1/2 Hex Hd.....                            | 2    |
| 25                 | 00-418510-00001 | Wrap - Bottom.....   | 1    |
| 26                 | NS-009-07       | Nut 6-32 Hex.....  | 2    |
| 27                 | 00-416535-00004 | Relay S.P.D.T. (24 V. Coil).....                               | 1    |
| 28                 | SC-109-10       | Mach. Screw 6-32 x 3/8 Slotted Pan Hd. (SST).....              | 2    |
| 29                 | SC-018-47       | Mach. Screw 10-32 x 3/4 Slotted Pan Hd.....                    | 4    |
| 30                 | SD-036-03       | Self-Tapping Screw 8-18 x 3/8 Hex Washer Hd., Type AB.....     | 14   |
| 31                 | NS-047-73       | Lock Nut 5/16-18 Hex.....                                      | 1    |
| 32                 | 00-418482-00001 | Grommet.....   | 1    |
| 33                 | 00-418475-000G1 | Crank - Arm Assy.....  | 1    |
| 34                 | SC-055-02       | Set Screw 1/4-20 x 1/4 Hdls., Cup Pt. (SST).....               | 2    |
| 35                 | NS-047-73       | Lock Nut 5/16-18 Hex.....                                      | 1    |
| 36                 | WS-004-33       | Washer.....  | 1    |
| 37                 | 00-418477-000G2 | Coupler Assy.....  | 1    |
| 38                 | WS-004-33       | Washer.....  | 1    |

