



CATALOG OF REPLACEMENT PARTS



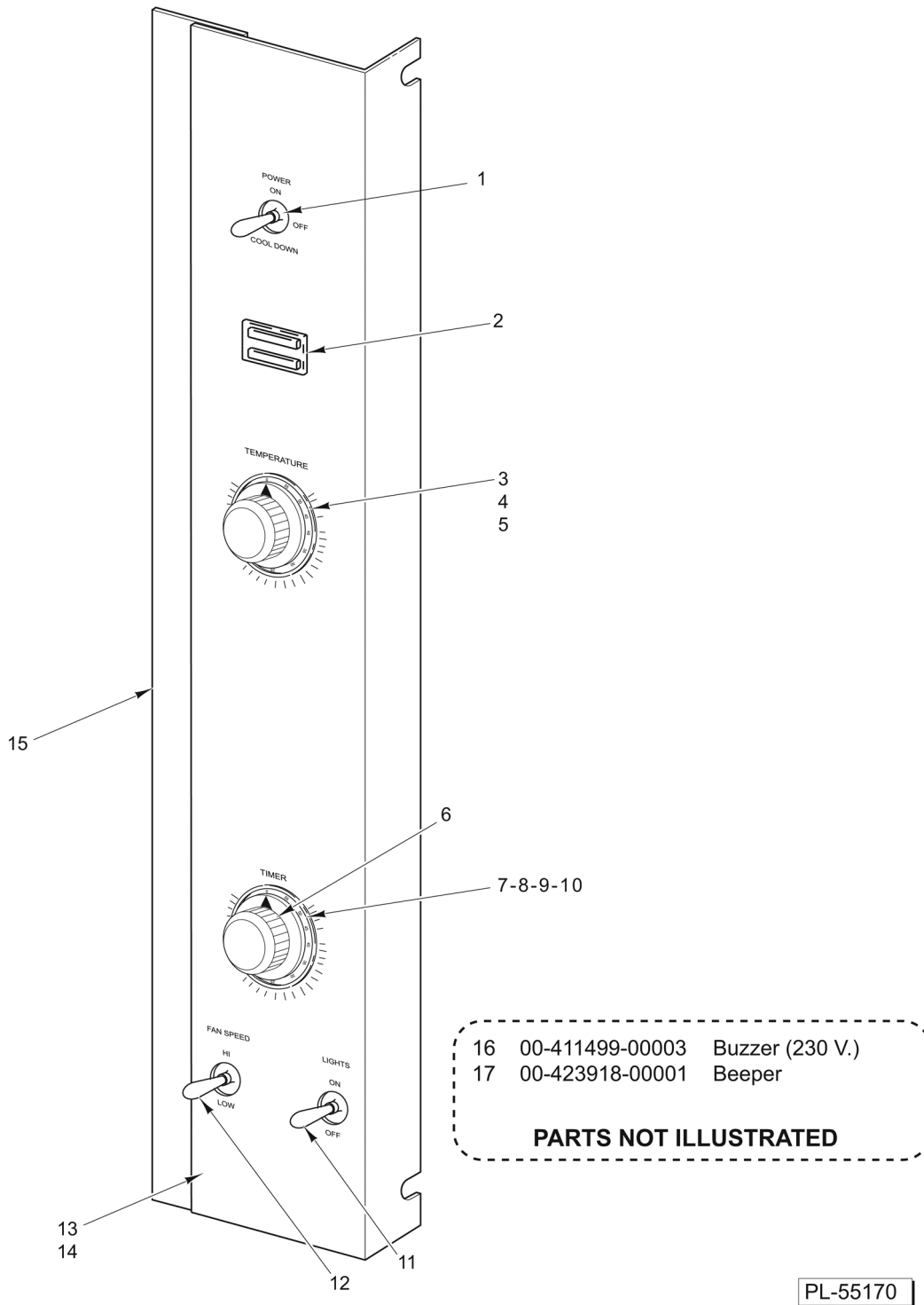
DEC5 & HEC5 ELECTRIC CONVECTION OVENS

ML-126749
ML-126750
ML-126751
ML-126753
ML-126754

DEC5
HEC5
HEC5D
HECV5X
HEC5DX

Table of Contents

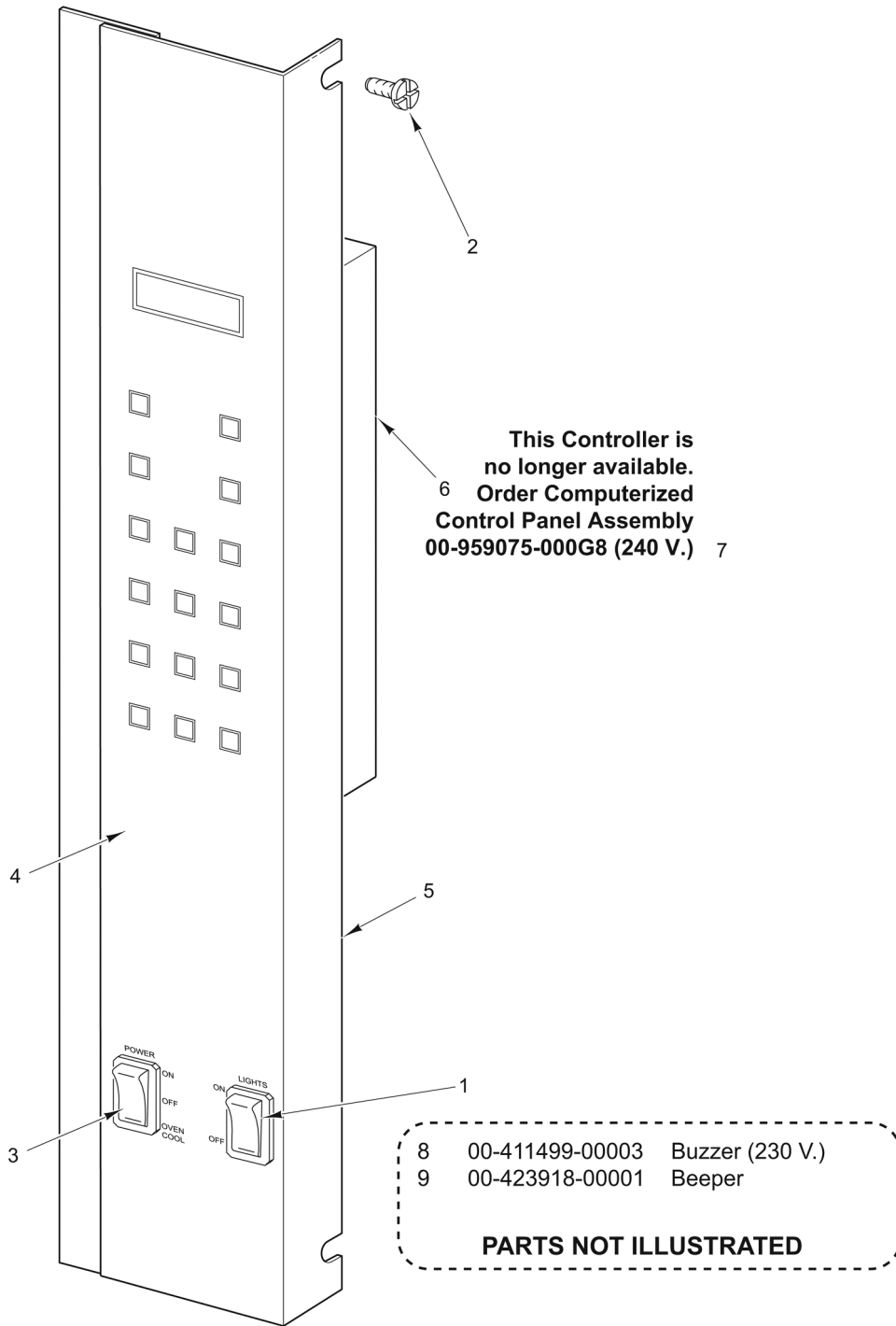
5	CONTROL PANEL (ML-126749, ML-126750, & ML-126753)
7	CONTROL PANEL (ML-126751 & ML-126754) (PREVIOUS)
9	CONTROL PANEL (ML-126751 & ML-126754) (CURRENT)
11	COMPONENT PANEL
13	OVEN PANELS (LH SIDE) (PREVIOUS CONSTRUCTION)
15	OVEN PANELS (LH SIDE) (CURRENT CONSTRUCTION)
17	OVEN PANELS (RH SIDE)
19	SIMULTANEOUSLY OPENING DOOR ASSEMBLY (PREVIOUS CONSTRUCTION)
21	SIMULTANEOUSLY OPENING DOOR ASSEMBLY (CURRENT CONSTRUCTION)
23	INDEPENDENTLY OPENING DOOR ASSEMBLY (PREVIOUS CONSTRUCTION)
25	INDEPENDENTLY OPENING DOOR ASSEMBLY (CURRENT CONSTRUCTION)



**CONTROL PANEL
(ML-126749, ML-126750, & ML-126753)**

CONTROL PANEL
(ML-126749, ML-126750, & ML-126753)

ILLUS. PL-55170	PART NO.	NAME OF PART	AMT.
1	00-340324-00008	Switch (4P.D.T.) (On/Off/Cooldown).....	1
2	00-913102-00161	Light - Indicator (Double).....	1
3	00-411242-00001	Knob.....	1
4	00-913149	Kit - Temperature Control (With Harness).....	1
5	00-411506-00003	Thermostat (Previous Construction) (ML-126749) (Before Feb. 2001).....	1
6	00-411242-00001	Knob.....	1
7	00-411690-00002	Timer (200-240 V.) (60 Hz.) (1-Hr.).....	1
8	00-411690-00004	Timer (240 V.) (60 Hz.) (5-Hr.).....	1
9	00-411690-00005	Timer (240 V.) (50 Hz.) (1-Hr.).....	1
10	00-411690-00006	Timer (240 V.) (50 Hz.) (5-Hr.).....	1
11	00-340324-00012	Switch (S.P.S.T.) (On/Off).....	1
12	00-340324-00009	Switch (D.P.D.T.) (Hi/Low).....	1
13	00-426825-00001	Overlay - Panel (Previous Construction).....	1
14	00-426856-00001	Overlay - Panel.....	1
15	00-499296-000G1	Panel - Weldment.....	1
16	00-411499-00003	Buzzer (230 V.).....	1
17	00-423918-00001	Electronic Beeper.....	12



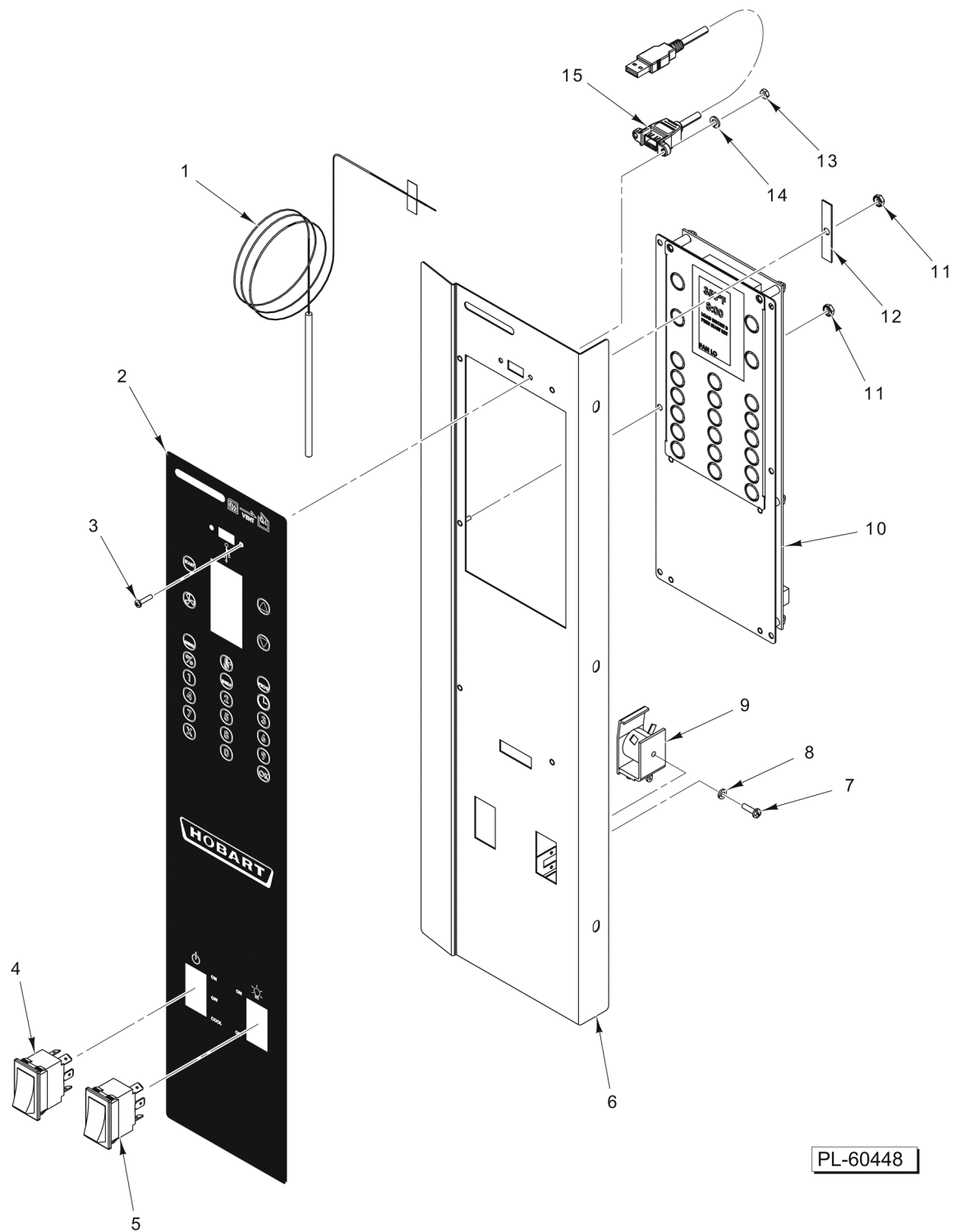
PL-60449

**CONTROL PANEL
(ML-126751 & ML-126754) (PREVIOUS)**

**CONTROL PANEL
(ML-126751 & ML-126754) (PREVIOUS)**

ILLUS.	PART NO.	NAME OF PART	AMT.
PL-60449			
1	00-358628-00002	Switch - Rocker (2-Position).....	1
2	SD-037-02	Self-Tapping Screw 10-16 x 1/2 Hex Washer Hd., Type AB.....	3
3	00-358628-00001	Switch - Rocker (3-Position).....	1
4	00-426932-00001	Overlay - Control Panel (ML-126751 & ML-126754).....	1
5	00-424842-000G1	Panel - Weldment.....	1
*6		Controller.....	1
7	00-959075-000G8	Panel - Control Assy. (Complete).....	1
8	00-411499-00003	Buzzer (230 V.).....	1
9	00-423918-00001	Electronic Beeper.....	12

* (No Longer Available, order Item 7.)

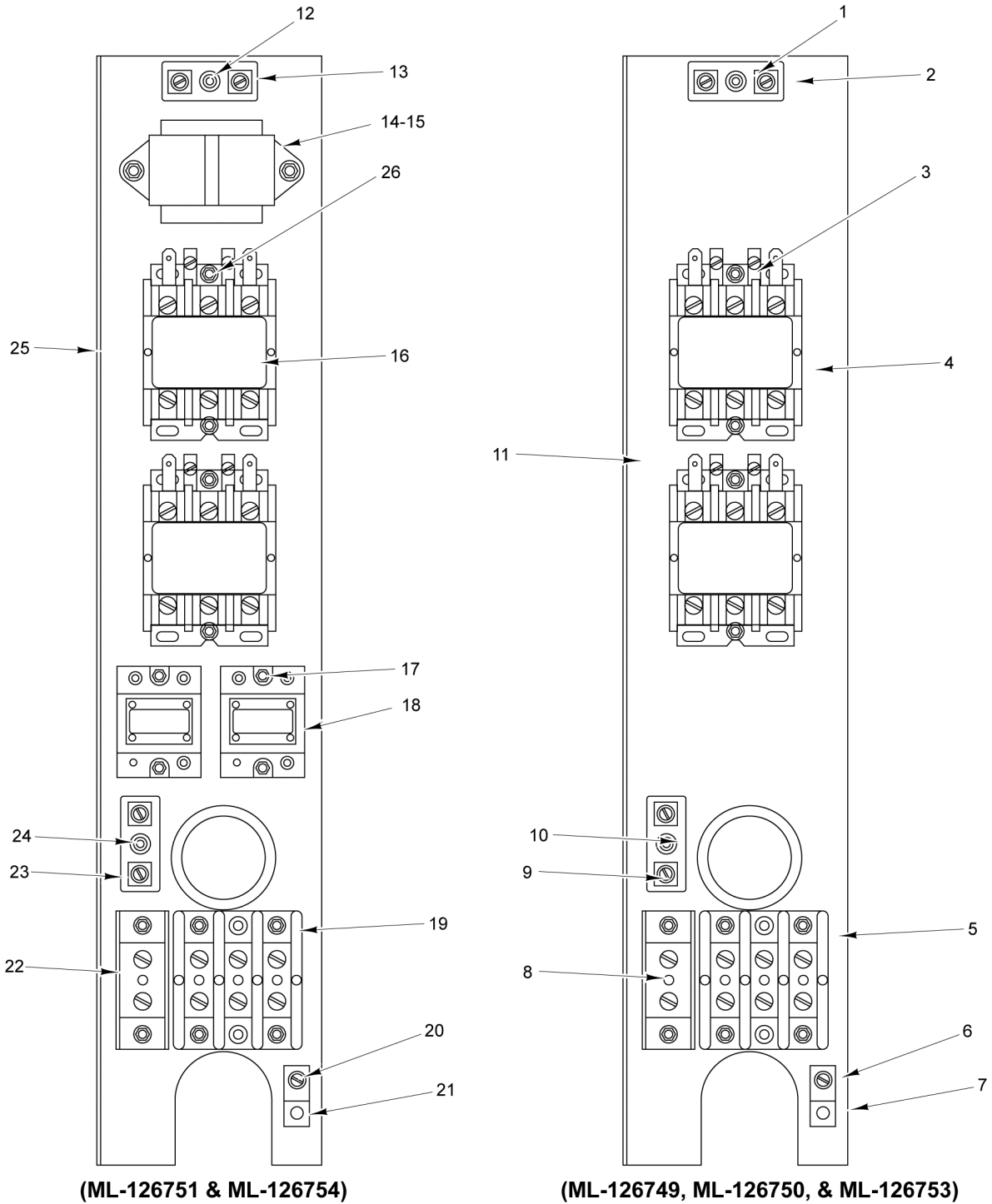


PL-60448

**CONTROL PANEL
(ML-126751 & ML-126754) (CURRENT)**

**CONTROL PANEL
(ML-126751 & ML-126754) (CURRENT)**

ILLUS.	PART NO.	NAME OF PART	AMT.
PL-60448			
1	00-920883-00003	Probe - Temperature.....	1
2	00-959113-00004	Overlay (Hobart).....	1
3		Mach. Screw 4-40 x 1/2 Phil. Pan Hd.....	2
4	00-358628-00001	Switch - Rocker (3-Position).....	1
5	00-358628-00002	Switch - Rocker (2-Position).....	1
6	00-959074	Penel - Weldment.....	1
7	SC-114-83	Mach. Screw 6-32 x 1/4 Slotted Pan Hd. (SST).....	1
8	WL-003-12	Lockwasher #8 Helical.....	1
9	00-411499-00003	Buzzer (230 V.).....	1
10	00-959077-00001	Controller - Cooking (NCC).....	1
11	NS-046-89	Nut Assy. 6-32 Hex.....	AR
12	00-959110-00001	Plate.....	2
13		Nut 4-40 Hex.....	2
14		Lockwasher.....	2
15	00-959000-000G1	Cable Assy. (USB) (1 Ft.) (Incls. Items 3, 14, & 15).....	1



27 FE-019-40 Fuse (15 Amp.)
 28 FE-023-55 Holder - Fuse
PARTS NOT ILLUSTRATED

PL-55171

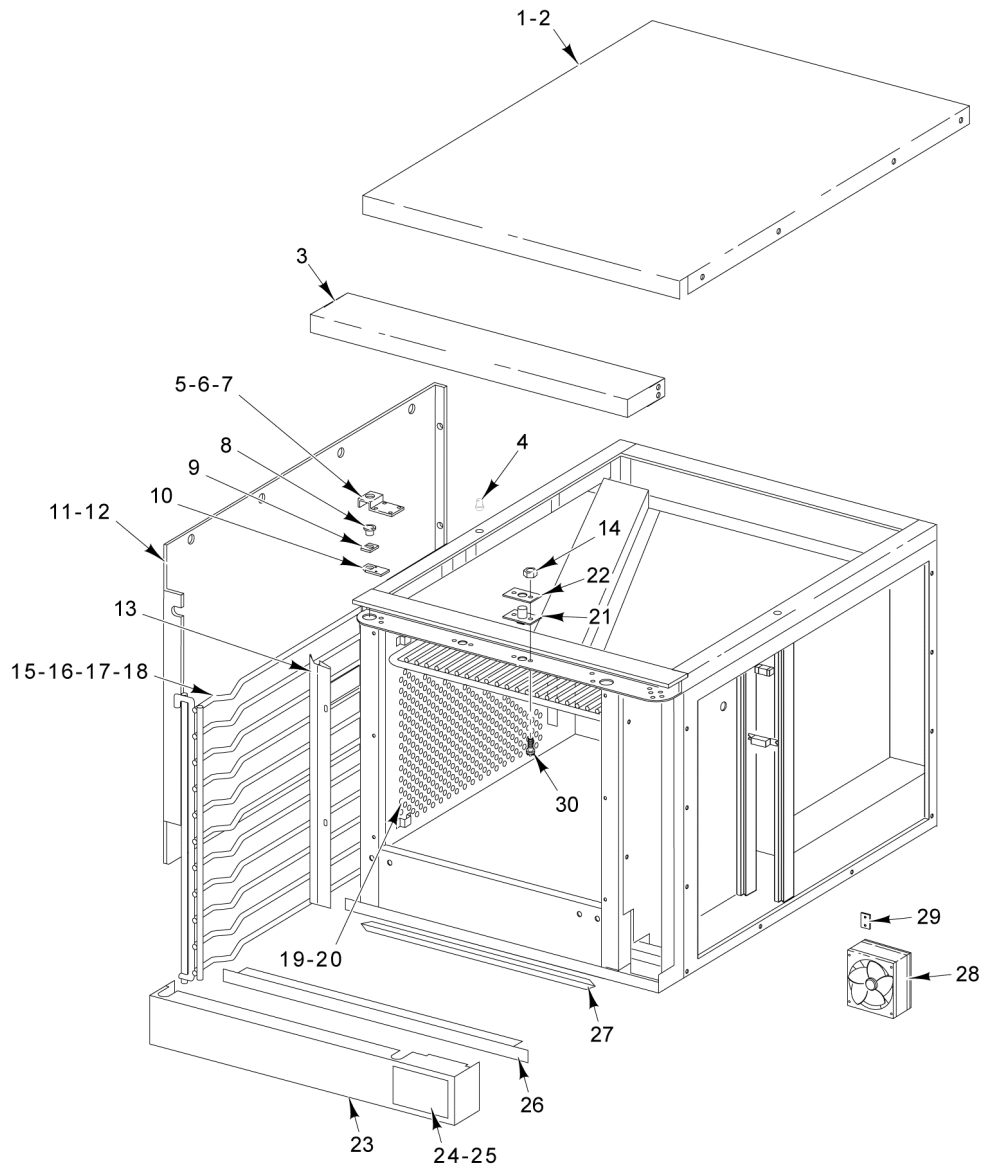
COMPONENT PANEL

COMPONENT PANEL

ILLUS.	PART NO.	NAME OF PART	AMT.
PL-55171			
1	SD-034-52	Self-Tapping Screw 8-32 x 1 Hex Washer Hd., Type T.....	1
2	00-417934-000G1	Block Assy. - Porcelain.....	1
3	SD-032-07	Self-Tapping Screw 10-24 x 1/2 Hex Washer Hd., Type TT.....	4
4	00-411497-000C5	Contactora (3-Pole).....	2
5	00-410472-00008	Block - Terminal (3-Pole).....	1
6	SD-032-07	Self-Tapping Screw 10-24 x 1/2 Hex Washer Hd., Type TT.....	1
7	00-417856-00001	Lug - Grounding (With Set Screw).....	1
8	00-410472-00009	Block - Terminal (1-Pole).....	1
9	00-417934-000G1	Block Assy. - Porcelain.....	1
10	SD-034-52	Self-Tapping Screw 8-32 x 1 Hex Washer Hd., Type T.....	1
11	00-422155-00001	Component Panel.....	1
12	SD-034-52	Self-Tapping Screw 8-32 x 1 Hex Washer Hd., Type T.....	1
13	00-417934-000G1	Block Assy. - Porcelain.....	1
14	00-421758-000G2	Transformer (208-240 V.) (24 V. Output) (Before November 11, 2002).....	1
15	00-421758-000G4	Transformer Assy. (After November 11, 2002).....	1
16	00-411497-000C5	Contactora (3-Pole).....	2
17	SD-034-52	Self-Tapping Screw 8-32 x 1 Hex Washer Hd., Type T.....	4
18	00-821875-00002	Relay - Solid State (50 Amp.).....	2
19	00-410472-00008	Block - Terminal (3-Pole).....	1
20	SD-032-07	Self-Tapping Screw 10-24 x 1/2 Hex Washer Hd., Type TT.....	1
21	00-417856-00001	Lug - Grounding (With Set Screw).....	1
22	00-410472-00009	Block - Terminal (1-Pole).....	1
23	00-417934-000G1	Block Assy. - Porcelain.....	1
24	SD-034-52	Self-Tapping Screw 8-32 x 1 Hex Washer Hd., Type T.....	1
25	00-422155-00001	Component Panel.....	1
26	SD-032-07	Self-Tapping Screw 10-24 x 1/2 Hex Washer Hd., Type TT.....	4
27	FE-019-40	Fuse (15 Amp., 300 V.).....	2
28	FE-023-55	Holder - Fuse (15 Amp., 300 V.).....	2

31	00-424172-00001	Leg – Set (PTD)	40	00-355154-00002	Pan - Drip
32	00-424172-00002	Leg – Set (SST)	41	00-355154-00003	Pan - Drip
33	00-424157-000G7	Leg (PTD)	42	00-417063-00001	Strap
34	00-342150-00005	Leg (For Double Stack)	43	00-357093-00001	Ring - Locking
35	00-343634-00001	Caster	44	00-288946-00002	Foot
36	00-343634-00002	Caster	45	SC-113-76	Screw
37	00-357047-00001	Caster - Swivel	46	00-425428-00001	Foot (Adjustable)
38	00-357047-00002	Caster - Swivel	47	00-357919-00001	Kit - Door Seal (Flexible)
39	00-346357-00001	Thermostat – High Limit			

PARTS NOT ILLUSTRATED



PL-55166

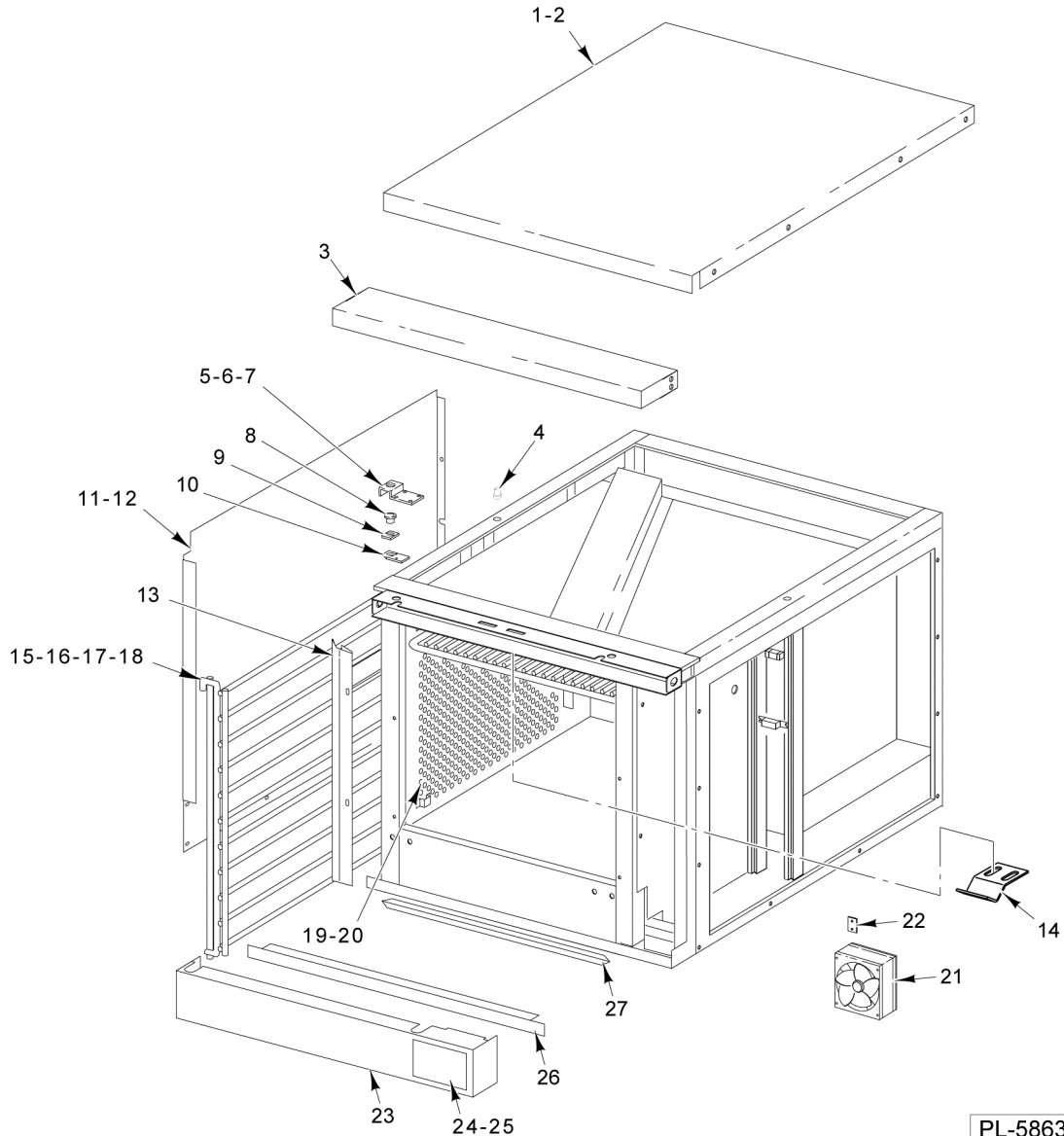
**OVEN PANELS
(LH SIDE)
(PREVIOUS CONSTRUCTION)**

**OVEN PANELS
(LH SIDE)
(PREVIOUS CONSTRUCTION)**

ILLUS. PL-55166	PART NO.	NAME OF PART	AMT.
1	00-424141-00002	Top (SST) (ML-126749, ML-126750, & ML-126751).....	1
2	00-424229-00002	Top (SST) (ML-126753 & ML-126754).....	1
3	00-421799-00001	Top - Front.....	1
4	00-339337-00001	Stud - Locating.....	2
5	00-353484-00001	Plate - Retainer.....	2
6	SC-053-41	Mach. Screw 1/4-20 x 1/2 Slotted Truss Hd. (SST).....	4
7	NS-038-08	Lock Nut 1/4-20 x 1 Hex.....	4
8	00-347080-00002	Bearing - Door Shaft.....	2
9	00-353482-00001	Spacer.....	2
10	00-353483-00001	Plate - Upper Door Bearing.....	2
11	00-424142-00002	Panel - Outer (SST) (LH) (ML-126749, ML-126750, & ML-126751).....	1
12	00-424230-00002	Panel - Outer (SST) (LH) (ML-126753 & ML-126754).....	1
13	00-423842-000G1	Seal - Vertical Door (Set) (LH & RH).....	1
14	NS-038-03	Lock Nut 10-32 SP.....	2
15	00-342141-00001	Rack - Support (LH) (ML-126749, ML-126750, & ML-126751).....	1
16	00-342141-00002	Rack - Support (RH) (ML-126749, ML-126750, & ML-126751).....	1
17	00-342141-00003	Rack - Support (LH) (ML-126753 & ML-126754).....	1
18	00-342141-00004	Rack - Support (RH) (ML-126753 & ML-126754).....	1
19	00-913102-00222	Kit - Cavity Assy. (Side).....	1
20	00-913102-00223	Kit - Cavity Assy. (Side) (Porcelain).....	1
21	00-347545-00001	Catch Assy. - Door.....	1
22	00-423848-00001	Shim - Door Strike.....	AR
23	00-423766-000G1	Trim - Bottom W/Access Door Assy. (Incls. Items 24 & 25).....	1
24	00-423758-00001	Door - Access Trim.....	1
25	00-425199-00001	Fastener - Nylon (Push-In).....	2
26	00-424865-00001	Cover - Trim.....	1
27	00-357507-00001	Seal - Horizontal Door (30-1/2 In. Long) (Top & Bottom).....	2
28	00-424940-00002	Fan - Cooling (230 V.).....	1
29	00-425433-00001	Fan - Clip.....	1
30	SC-115-51	Mach. Screw 10-32 x 1/2 Phil. Truss Hd.....	2
31	00-424172-00001	Leg - Set (25-3/4 In.) (PTD).....	1
32	00-424172-00002	Leg - Set (25-3/4 In.) (SST).....	1
33	00-424157-000G7	Leg Assembly for Caster and Foot (Painted Black).....	4
34	00-342150-00005	Leg (8 In.) (Double Stack).....	4
35	00-343634-00001	Caster (With Brake).....	2
36	00-343634-00002	Caster (Without Brake).....	2
37	00-357047-00001	Caster - Swivel (Without Brake).....	2
38	00-357047-00002	Caster - Swivel (With Brake).....	2
39	00-346357-00001	Thermostat - High Limit (Thermodisc).....	1
40	00-355154-00002	Pan - Drip (ML-126749, ML-126750, & ML-126751).....	1
41	00-355154-00003	Pan - Drip (ML-126753 & ML-126754).....	1
42	00-417063-00001	Strap - Tie Down.....	4
43	00-357093-00001	Ring - Locking (Use with Item 33).....	4
44	00-288946-00002	Foot - Adjustable (1-5/8) (SST) (Use with Item 33).....	4
45	SC-113-76	Cap Screw 1/4-20 x 1 Hex Hd (Use with legs).....	16
46	00-425428-00001	Foot - Adjustable (Use with Item 34).....	4
47	00-357919-00001	Kit - Door Seal.....	1

28	00-424172-00001	Leg – Set (PTD)	37	00-355154-00002	Pan - Drip
29	00-424172-00002	Leg – Set (SST)	38	00-355154-00003	Pan - Drip
30	00-424157-000G7	Leg (PTD)	39	00-417063-00001	Strap
31	00-342150-00005	Leg (For Double Stack)	40	00-357093-00001	Ring - Locking
32	00-343634-00001	Caster	41	00-288946-00002	Foot
33	00-343634-00002	Caster	42	SC-113-76	Screw
34	00-357047-00001	Caster - Swivel	43	00-425428-00001	Foot (Adjustable)
35	00-357047-00002	Caster - Swivel	44	00-357919-00001	Kit - Door Seal (Flexible)
36	00-346357-00001	Thermostat – High Limit			

PARTS NOT ILLUSTRATED

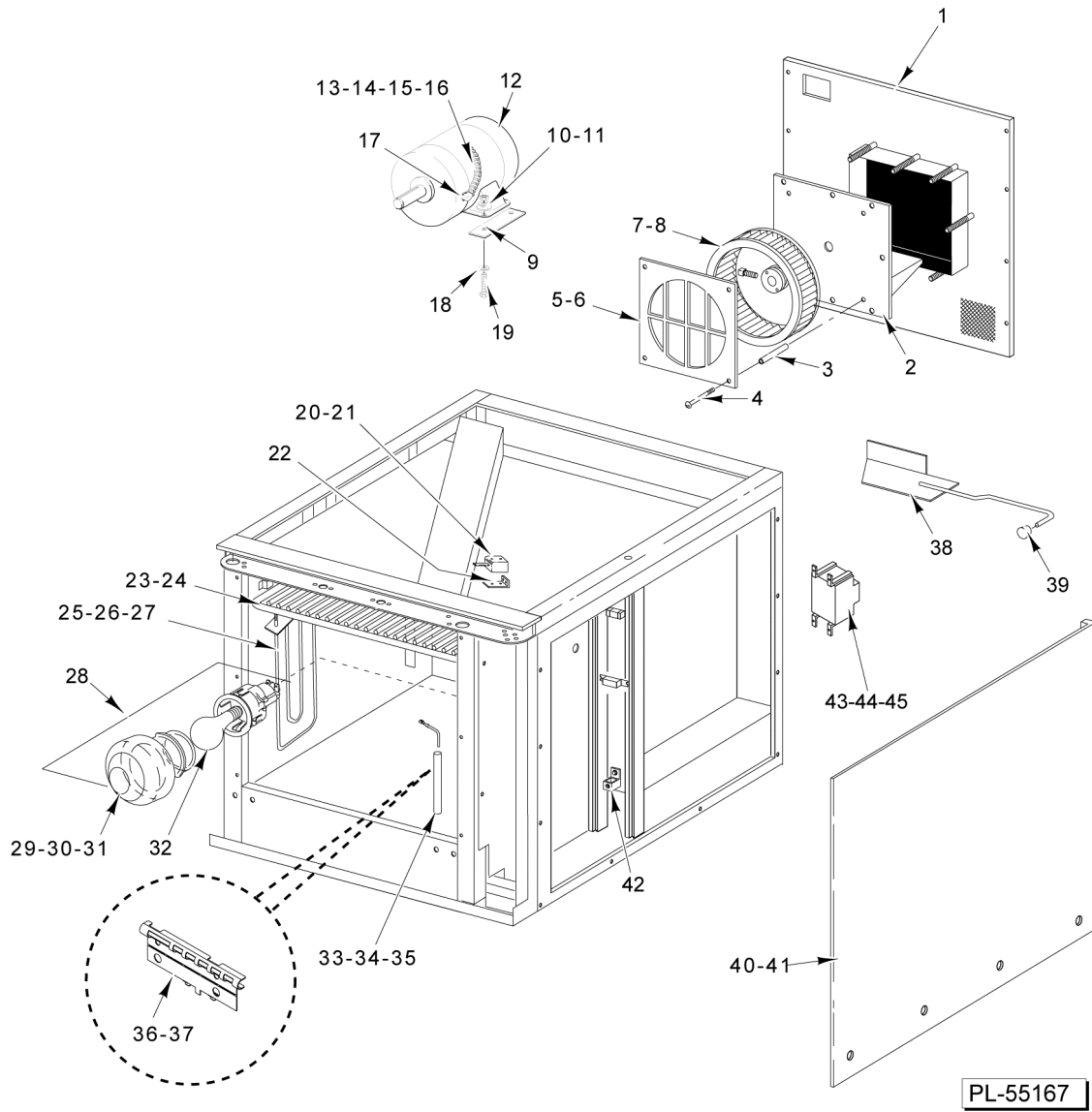


PL-58633

**OVEN PANELS
(LH SIDE)
(CURRENT CONSTRUCTION)**

**OVEN PANELS
(LH SIDE)
(CURRENT CONSTRUCTION)**

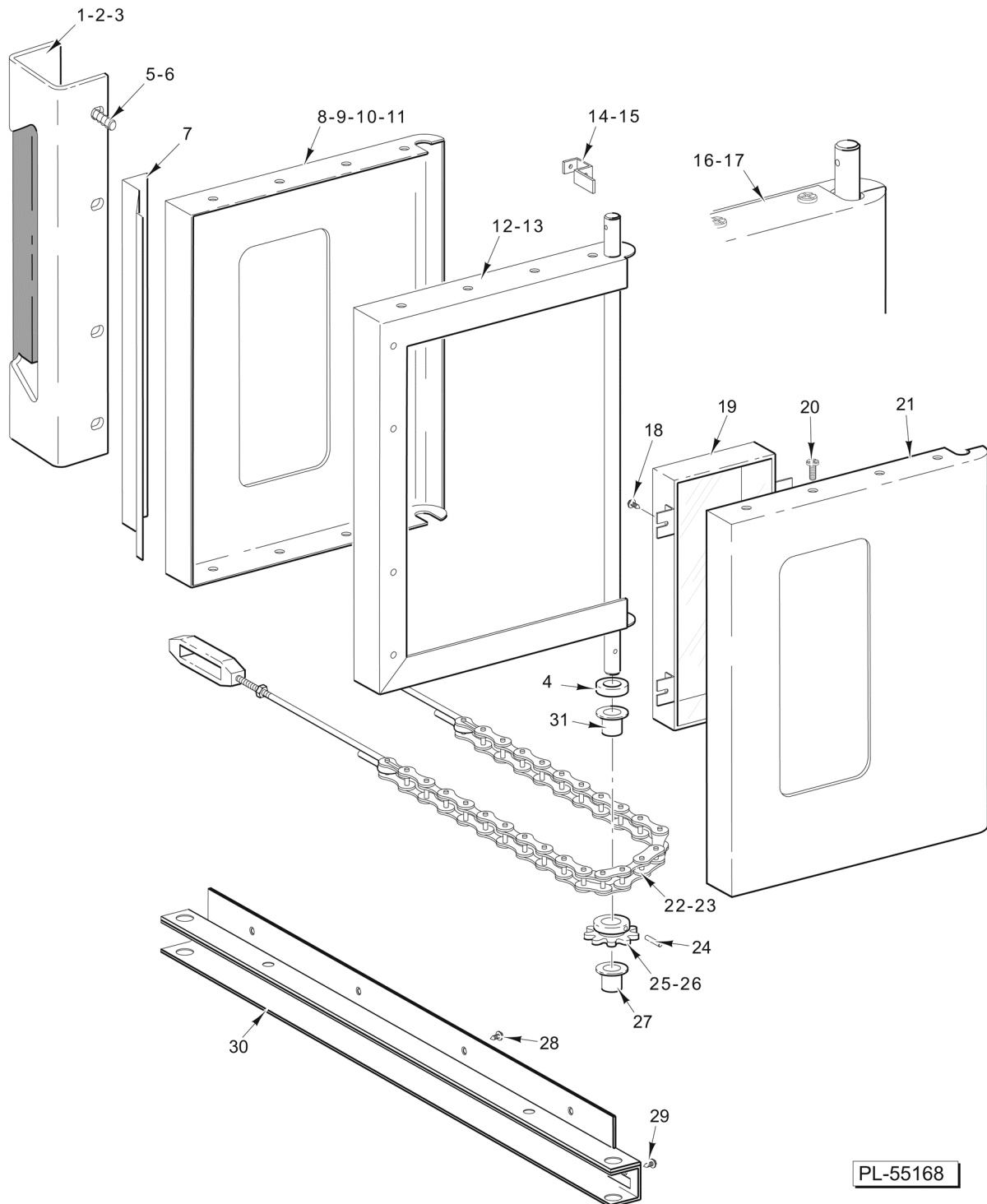
ILLUS. PL-58633	PART NO.	NAME OF PART	AMT.
1	00-424141-00002	Top (SST) (ML-126749, ML-126750, & ML-126751).....	1
2	00-424229-00002	Top (SST) (ML-126753 & ML-126754).....	1
3	00-421799-00001	Top - Front.....	1
4	00-339337-00001	Stud - Locating.....	2
5	00-353484-00001	Plate - Retainer.....	2
6	SC-053-41	Mach. Screw 1/4-20 x 1/2 Slotted Truss Hd. (SST).....	4
7	NS-038-08	Lock Nut 1/4-20 x 1 Hex.....	4
8	00-347080-00002	Bearing - Door Shaft.....	2
9	00-353482-00001	Spacer.....	2
10	00-353483-00001	Plate - Upper Door Bearing.....	2
11	00-499302-00001	Side - Left Body (ML-126749, ML-126750, & ML-126751).....	1
12	00-499303-00001	Side - Left Body (ML-126753 & ML-126754).....	1
13	00-423842-000G1	Seal - Vertical Door (Set) (LH & RH).....	1
14	00-497585-00001	Plate - Strike.....	1
15	00-428104-00001	Guide - Rack (LH) (ML-126753 & ML-126754).....	1
16	00-428104-00002	Guide - Rack (RH) (ML-126749, ML-126750, & ML-126751).....	1
17	00-428104-00003	Guide - Rack (LH) (ML-126749, ML-126750, & ML-126751).....	1
18	00-428104-00004	Guide - Rack (RH) (ML-126753 & ML-126754).....	1
19	00-913102-00222	Kit - Cavity Assy. (Side).....	1
20	00-913102-00223	Kit - Cavity Assy. (Side) (Porcelain).....	1
21	00-424940-00002	Fan - Cooling (230 V.).....	1
22	00-425433-00001	Fan - Clip.....	1
23	00-499299-000G1	Trim - Bottom W/Access Door (Incls. Items 24 & 25).....	1
24	00-499297-00001	Door - Lower Access Trim.....	1
25	00-425199-00001	Fastener - Nylon (Push-In).....	2
26	00-424865-00001	Cover - Trim.....	1
27	00-357507-00001	Seal - Horizontal Door (30-1/2 In. Long) (Top & Bottom).....	2
28	00-424172-00001	Leg - Set (25-3/4 In.) (PTD).....	1
29	00-424172-00002	Leg - Set (25-3/4 In.) (SST).....	1
30	00-424157-000G7	Leg Assembly for Caster and Foot (Painted Black).....	4
31	00-342150-00005	Leg (8 In.) (Double Stack).....	4
32	00-343634-00001	Caster (With Brake).....	2
33	00-343634-00002	Caster (Without Brake).....	2
34	00-357047-00001	Caster - Swivel (Without Brake).....	2
35	00-357047-00002	Caster - Swivel (With Brake).....	2
36	00-346357-00001	Thermostat - High Limit (Thermodisc).....	1
37	00-355154-00002	Pan - Drip (ML-126749, ML-126750, & ML-126751).....	1
38	00-355154-00003	Pan - Drip (ML-126753 & ML-126754).....	1
39	00-417063-00001	Strap - Tie Down.....	4
40	00-357093-00001	Ring - Locking (Use with Item 30).....	4
41	00-288946-00002	Foot - Adjustable (1-5/8) (SST) (Use with Item 30).....	4
42	SC-113-76	Cap Screw 1/4-20 x 1 Hex Hd (Use with legs).....	16
43	00-425428-00001	Foot - Adjustable (Use with Item 31).....	4
44	00-357919-00001	Kit - Door Seal.....	1



**OVEN PANELS
(RH SIDE)**

**OVEN PANELS
(RH SIDE)**

ILLUS. PL-55167	PART NO.	NAME OF PART	AMT.
1	00-426839-000G1	Panel Assy. - Back.....	1
2	00-423289-000G1	Motor Mount.....	1
3	00-411289-00004	Spacer - Fan Housing.....	4
4	SC-120-15	Mach. Screw 1/4-20 x 4 Rd. Hd.....	4
5	00-411136-00004	Cover - Fan (60 Hz.).....	1
6	00-411136-00003	Cover - Fan (50 Hz.).....	1
7	00-415780-00003	Wheel - Blower (60 Hz.).....	1
8	00-415780-00005	Wheel - Blower (50 Hz.).....	1
9	00-358723-00001	Spacer - Steel.....	2
10	WS-029-46	Washer.....	4
11	NS-046-86	Nut Assy. 5/16-18 KEPS Hex.....	4
12	00-358516-00002	Motor 1/2 Hp. (2-Speed) (208-240 V., 50/60 Hz., 1 Ph.).....	1
13	FE-006-05	Lock Nut 1/2.....	1
14	00-414540-00B35	Conduit 3/8 x 35 In. Lg.....	1
15	00-342285-00001	Bushing - Plastic.....	2
16	FE-002-03	Connector - Conduit 3/8 TS Straight.....	1
17	FE-002-52	Connector - Conduit 3/8 TS 90 Degree.....	1
18	WS-029-46	Washer.....	4
19	SC-113-65	Cap Screw 5/16-18 x 1-1/4 Hex Hd.....	4
20	00-411496-000F1	Switch - Micro.....	1
21	SD-034-47	Self-Tapping Screw 6-32 x 1 Hex Washer Hd., Type T.....	2
22	00-425324-00001	Bracket - Door Switch.....	1
23	00-411265-00022	Rack Assy. (ML-126749, ML-126750, & ML-126751).....	AR
24	00-411265-00010	Rack Assy. (ML-126753 & ML-126754).....	AR
25	00-426635-00001	Element (2000 Watts) (208 V.).....	6
26	00-426635-00002	Element (2000 Watts) (240 V.).....	6
27	00-426635-00003	Element (2000 Watts) (480 V.).....	6
28	00-913102-00032	Kit - Lamp & Housing (250 V.).....	2
29	00-423832-00001	Cover - Light (Previous Construction).....	2
30	01-1000V7-00027	Lamp - Oven (Complete) (Lens, Base, & Bulb) Use Lens Only.....	1
31	00-357036-00003	Lens - Lamp.....	1
32	00-342766-00002	Light Bulb - Oven (40 Watts) (240 V.).....	2
33	00-353589-00001	Probe Temperature (SST) (ML-126749, ML-126750, & ML-126753).....	1
34	00-920883-00001	Probe (ML-126751 & ML-126754).....	1
35	00-342132-00002	Guard - Probe.....	1
36	SD-032-07	Self-Tapping Screw 10-24 x 1/2 Hex Washer Hd., Type TT.....	2
37	00-959753-00001	Probe Guard & Retainer.....	1
38	00-426804-000G1	Vent Slide Assy. (Incls. Item 39).....	1
39	00-341564-00003	Handle.....	1
40	00-424140-00002	Panel - Outer (RH) (SST) (ML-126749, ML-126750, & ML-126751).....	1
41	00-424228-00002	Panel - Outer (RH) (SST) (ML-126753 & ML-126754).....	1
42	00-417856-00001	Lug - Grounding (With Set Screw).....	1
43	00-411500-00015	Transformer (480 V. to 240 V.).....	1
44	00-427082-00001	Cover - 480V Transformer.....	1
45	00-427081-00001	Bracket - 480V Transformer Mounting.....	1

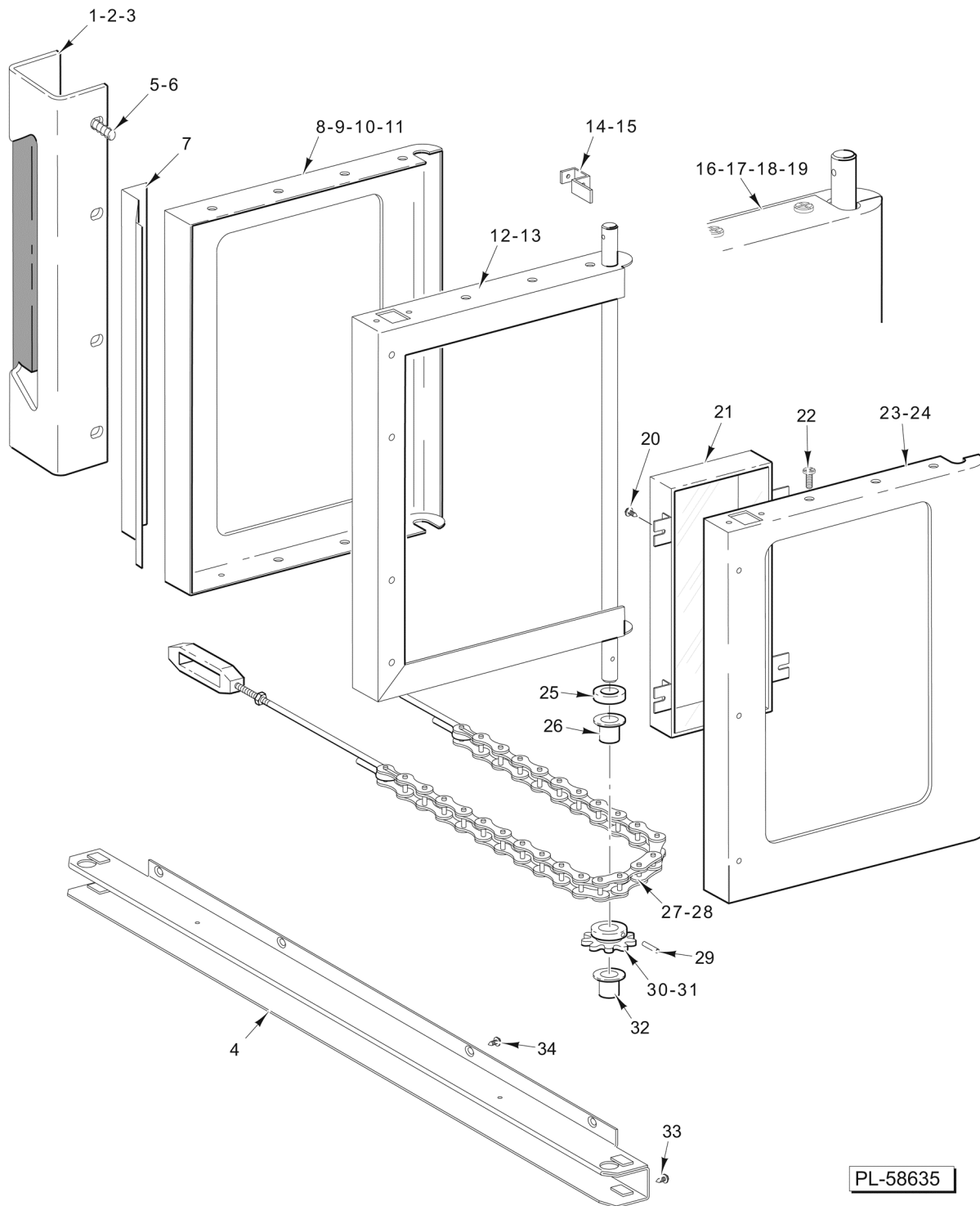


PL-55168

**SIMULTANEOUSLY OPENING DOOR ASSEMBLY
(PREVIOUS CONSTRUCTION)**

**SIMULTANEOUSLY OPENING DOOR ASSEMBLY
(PREVIOUS CONSTRUCTION)**

ILLUS. PL-55168	PART NO.	NAME OF PART	AMT.
1	00-356562-00001	Handle - Door.....	1
2	00-421923-000G1	Grip - Set.....	1
3	SC-113-98	Mach. Screw 10-24 x 1/2 Hex Washer Hd.....	3
4	00-343143-00002	Washer.....	2
5	SC-041-01	Cap Screw 1/4-20 x 3/4 Hex Hd. (SST).....	4
6	WL-019-37	Lockwasher 1/4 Internal.....	4
7	00-356550-00001	Latch - Friction.....	1
8	00-421913-00003	Panel - Outer Door (LH) (W/Window).....	1
9	00-421913-00001	Panel - Outer Door (RH) (W/Window).....	1
10	00-421913-00004	Panel - Outer Door (LH) (W/O Window).....	1
11	00-421913-00002	Panel - Outer Door (RH) (W/O Window).....	1
12	00-421904-000G2	Frame Assy. - Door (LH).....	1
13	00-421905-000G1	Frame Assy. - Door (RH).....	1
14	00-424163-00001	Lever - Door Switch.....	1
15	SD-034-52	Self-Tapping Screw 8-32 x 1 Hex Washer Hd., Type T.....	1
16	00-424730-00001	Door Assy. (LH) (W/Window).....	1
17	00-424731-00001	Door Assy. (RH) (W/Window).....	1
18	SD-034-62	Self-Tapping Screw 10-32 x 1/2 Hex Washer Hd., Type T.....	4
19	00-358534-00001	Window Assy.....	1
20	SD-034-22	Self-Tapping Screw 10-16 X 5/8 Phil. Truss Hd., Type AB.....	9
21	00-358532-00001	Panel - Inner Door (W/Window).....	1
22	00-343608-00002	Door Chain & Turnbuckle Assy.....	2
23	00-352667-00001	Cable - Door Stop.....	1
24	PS-004-11	Spirol Pin 3/16 x 1-1/4 Heavy.....	2
25	00-342166-00001	Sprocket - Door Shaft.....	2
26	SC-047-28	Set Screw 1/4-28 x 3/8 Hex Hdls., Cup Pt. (Use Loctite 242).....	2
27	00-347080-00002	Bearing - Door Shaft.....	2
28	SC-022-40	Mach. Screw 1/4-20 x 3/4 Phil. Flat Hd. (SST).....	4
29	SC-113-90	Mach. Screw 1/4-20 x 3/4 Hex Hd.....	2
30	00-357846-00001	Channel - Door Sill Weldment.....	1
31	00-347080-00002	Bearing - Door Shaft.....	2

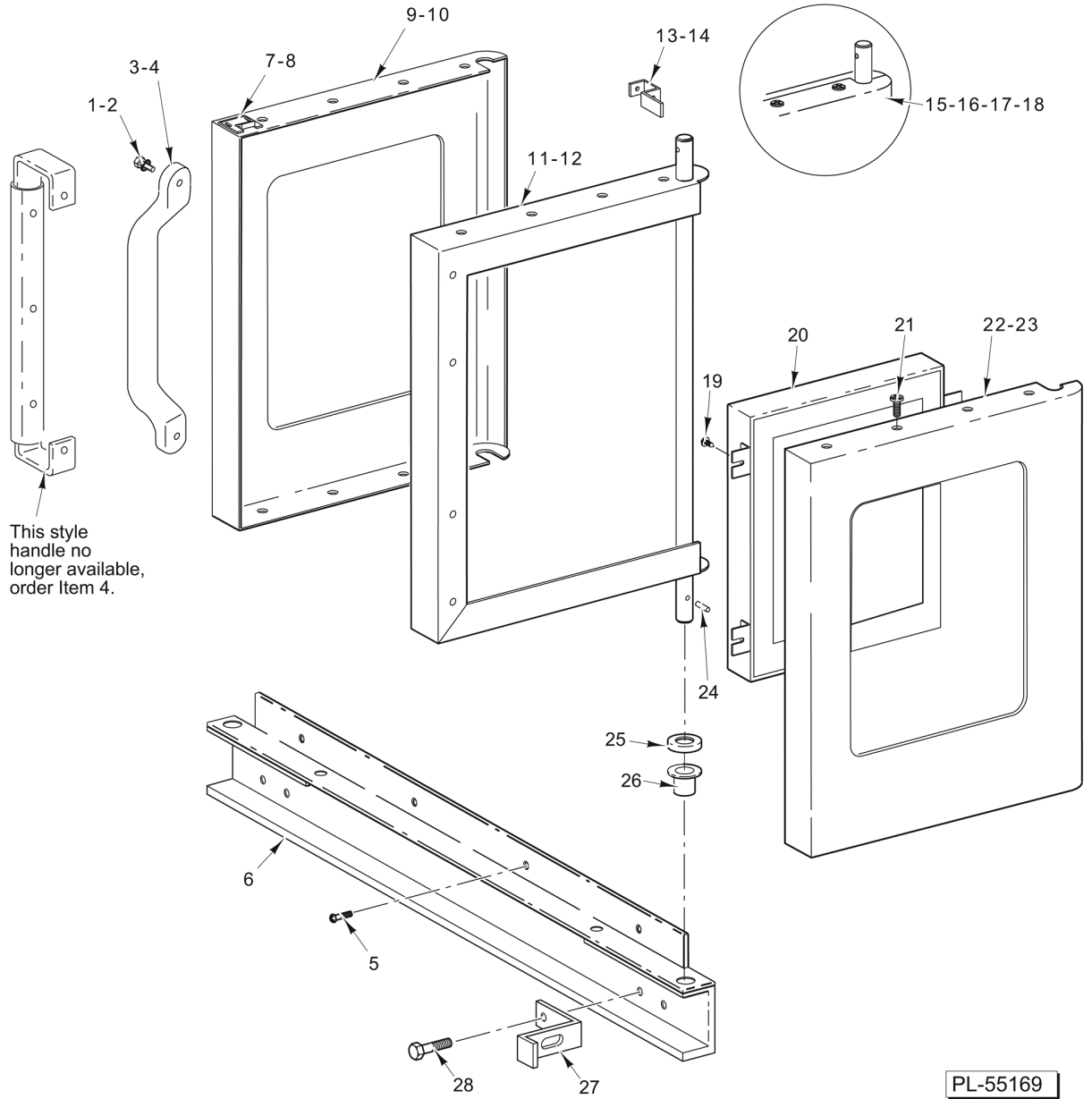


PL-58635

**SIMULTANEOUSLY OPENING DOOR ASSEMBLY
(CURRENT CONSTRUCTION)**

**SIMULTANEOUSLY OPENING DOOR ASSEMBLY
(CURRENT CONSTRUCTION)**

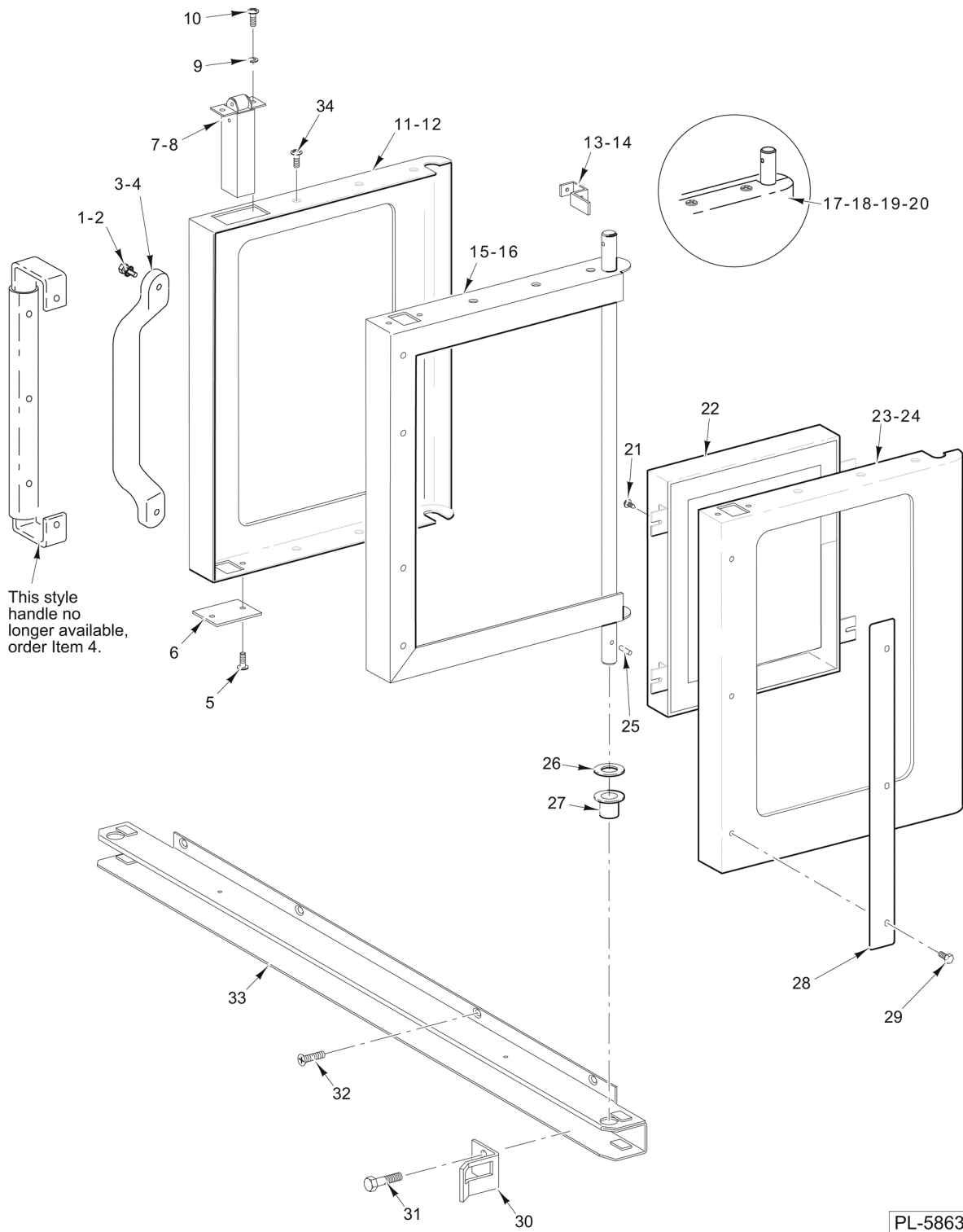
ILLUS. PL-58635	PART NO.	NAME OF PART	AMT.
1	00-356562-00001	Handle - Door.....	1
2	00-421923-000G1	Grip - Set.....	1
3	SC-113-98	Mach. Screw 10-24 x 1/2 Hex Washer Hd.....	3
4	00-499300-000G1	Channel - Bottom Door Sill.....	1
5	SC-041-01	Cap Screw 1/4-20 x 3/4 Hex Hd. (SST).....	4
6	WL-019-37	Lockwasher 1/4 Internal.....	4
7	00-356550-00001	Latch - Friction.....	1
8	00-421913-00003	Panel - Outer Door (LH) (W/Window).....	1
9	00-421913-00001	Panel - Outer Door (RH) (W/Window).....	1
10	00-421913-00004	Panel - Outer Door (LH) (W/O Window).....	1
11	00-421913-00002	Panel - Outer Door (RH) (W/O Window).....	1
12	00-421904-000G2	Frame Assy. - Door (LH).....	1
13	00-421905-000G1	Frame Assy. - Door (RH).....	1
14	00-424163-00001	Lever - Door Switch.....	1
15	SD-034-52	Self-Tapping Screw 8-32 x 1 Hex Washer Hd., Type T.....	1
16	00-499289-000G1	Door Assy. (LH) (W/Window).....	1
17	00-499289-000G2	Door Assy. (LH) (W/O Window).....	1
18	00-499290-000G1	Door Assy. (RH) (W/Window).....	1
19	00-499290-000G2	Door Assy. (RH) (W/O Window).....	1
20	SD-034-62	Self-Tapping Screw 10-32 x 1/2 Hex Washer Hd., Type T.....	4
21	00-358534-00001	Window Assy.....	1
22	SD-034-22	Self-Tapping Screw 10-16 X 5/8 Phil. Truss Hd., Type AB.....	9
23	00-358532-00001	Panel - Inner Door (W/Window).....	1
24	00-358533-00003	Panel - Inner Door (W/O Window).....	1
25	00-343143-00002	Washer.....	2
26	00-347080-00002	Bearing - Door Shaft.....	2
27	00-343608-00002	Door Chain & Turnbuckle Assy.....	2
28	00-352667-00001	Cable - Door Stop.....	1
29	PS-004-11	Spirol Pin 3/16 x 1-1/4 Heavy.....	2
30	00-342166-00001	Sprocket - Door Shaft.....	2
31	SC-047-28	Set Screw 1/4-28 x 3/8 Hex Hdls., Cup Pt. (Use Loctite 242).....	2
32	00-347080-00002	Bearing - Door Shaft.....	2
33	SC-113-90	Mach. Screw 1/4-20 x 3/4 Hex Hd.....	2
34	SC-022-40	Mach. Screw 1/4-20 x 3/4 Phil. Flat Hd. (SST).....	4



**INDEPENDENTLY OPENING DOOR ASSEMBLY
(PREVIOUS CONSTRUCTION)**

**INDEPENDENTLY OPENING DOOR ASSEMBLY
(PREVIOUS CONSTRUCTION)**

ILLUS. PL-55169	PART NO.	NAME OF PART	AMT.
1	00-959087-00001	Screw 1/4-20 x 1-1/4 Black Hd.....	2
2	WL-013-14	Lockwasher 1/4 Internal Shakeproof.....	2
3	00-957108-00001	Handle - Molded (Black).....	1
4	00-913102-00179	Kit - Handle (Incls. Items 1, 2, & 3).....	1
5	SC-022-40	Mach. Screw 1/4-20 x 3/4 Phil. Flat Hd. (SST).....	4
6	00-357846-00001	Channel - Door Sill Weldment.....	1
7	00-423847-00001	Strike - Door.....	1
8	SD-034-22	Self-Tapping Screw 10-16 X 5/8 Phil. Truss Hd., Type AB.....	2
9	00-358600-00001	Panel - Outer Door (W/Window).....	1
10	00-358600-00002	Panel - Outer Door (W/O Window).....	1
11	00-421905-000G1	Frame Assy. - Door (RH).....	1
12	00-421904-000G2	Frame Assy. - Door (LH).....	1
13	00-424163-00001	Lever - Door Switch.....	1
14	SD-034-52	Self-Tapping Screw 8-32 x 1 Hex Washer Hd., Type T.....	1
15	00-358529-00005	Door Assy. (LH) (W/Window).....	1
16	00-358529-00006	Door Assy. (LH) (W/O Window).....	1
17	00-358530-00003	Door Assy. (RH) (W/Window).....	1
18	00-358530-00004	Door Assy. (RH) (W/O Window).....	1
19	SD-034-62	Self-Tapping Screw 10-32 x 1/2 Hex Washer Hd., Type T.....	4
20	00-358534-00001	Window Assy.....	1
21	SD-034-22	Self-Tapping Screw 10-16 X 5/8 Phil. Truss Hd., Type AB.....	8
22	00-358532-00001	Panel - Inner Door (W/Window).....	1
23	00-358533-00003	Panel - Inner Door (W/O Window).....	1
24	PS-004-11	Spirol Pin 3/16 x 1-1/4 Heavy.....	1
25	00-343143-00002	Washer.....	2
26	00-347080-00002	Bearing - Door Shaft.....	1
27	00-424158-00001	Door Stop.....	1
28	SC-113-90	Mach. Screw 1/4-20 x 3/4 Hex Hd.....	2



**INDEPENDENTLY OPENING DOOR ASSEMBLY
(CURRENT CONSTRUCTION)**

**INDEPENDENTLY OPENING DOOR ASSEMBLY
(CURRENT CONSTRUCTION)**

ILLUS. PL-58634	PART NO.	NAME OF PART	AMT.
1	00-959087-00001	Screw 1/4-20 x 1-1/4 Black Hd.....	2
2	WL-013-14	Lockwasher 1/4 Internal Shakeproof.....	2
3	00-957108-00001	Handle - Molded (Black).....	1
4	00-913102-00179	Kit - Handle (Incls. Items 1, 2, & 3).....	1
5	SD-034-22	Self-Tapping Screw 10-16 X 5/8 Phil. Truss Hd., Type AB.....	2
6	00-499264-00001	Plate - Latch Cutout.....	1
7	00-497586-00001	Latch - Door Roller.....	1
8	00-347545-00001	Catch Assy. - Door (Ball Style) (Not Shown).....	1
9	WL-019-35	Lockwasher #10 Internal.....	2
10	SC-117-73	Mach. Screw 10-32 x 5/8 Phil. Truss Hd.....	2
11	00-358600-00001	Panel - Outer Door (W/Window).....	1
12	00-358600-00002	Panel - Outer Door (W/O Window).....	1
13	00-424163-00001	Lever - Door Switch.....	1
14	SD-034-52	Self-Tapping Screw 8-32 x 1 Hex Washer Hd., Type T.....	1
15	00-421905-000G1	Frame Assy. - Door (RH).....	1
16	00-421904-000G2	Frame Assy. - Door (LH).....	1
17	00-499285-000G1	Door Assy. (LH) (W/Window).....	1
18	00-499285-000G2	Door Assy. (LH) (W/O Window).....	1
19	00-499286-000G1	Door Assy. (RH) (W/Window).....	1
20	00-499286-000G2	Door Assy. (RH) (W/O Window).....	1
21	SD-034-62	Self-Tapping Screw 10-32 x 1/2 Hex Washer Hd., Type T.....	4
22	00-358534-00001	Window Assy.....	1
23	00-358532-00001	Panel - Inner Door (W/Window).....	1
24	00-358533-00003	Panel - Inner Door (W/O Window).....	1
25	PS-004-11	Spirol Pin 3/16 x 1-1/4 Heavy.....	1
26	00-343143-00002	Washer.....	2
27	00-347080-00002	Bearing - Door Shaft.....	1
28	00-357837-00001	Seal - Door End.....	1
29	SD-034-22	Self-Tapping Screw 10-16 X 5/8 Phil. Truss Hd., Type AB.....	3
30	00-499263-00001	Door Stop.....	1
31	SC-113-90	Mach. Screw 1/4-20 x 3/4 Hex Hd.....	2
32	SC-022-40	Mach. Screw 1/4-20 x 3/4 Phil. Flat Hd. (SST).....	4
33	00-499300-000G1	Channel - Bottom Door Sill.....	1
34	SD-034-22	Self-Tapping Screw 10-16 X 5/8 Phil. Truss Hd., Type AB.....	8

