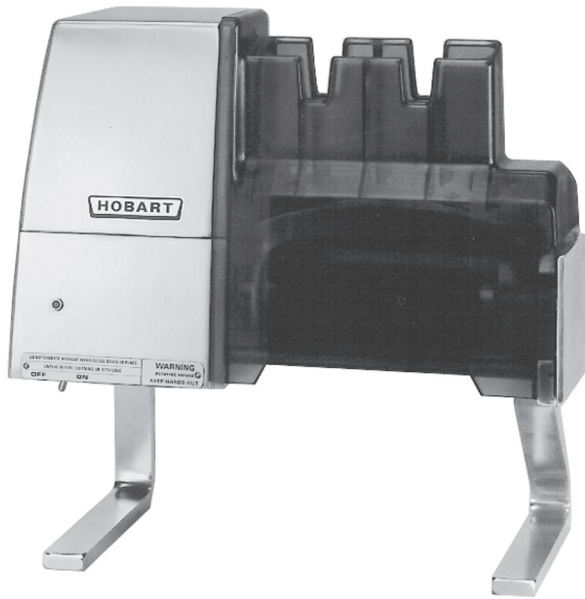




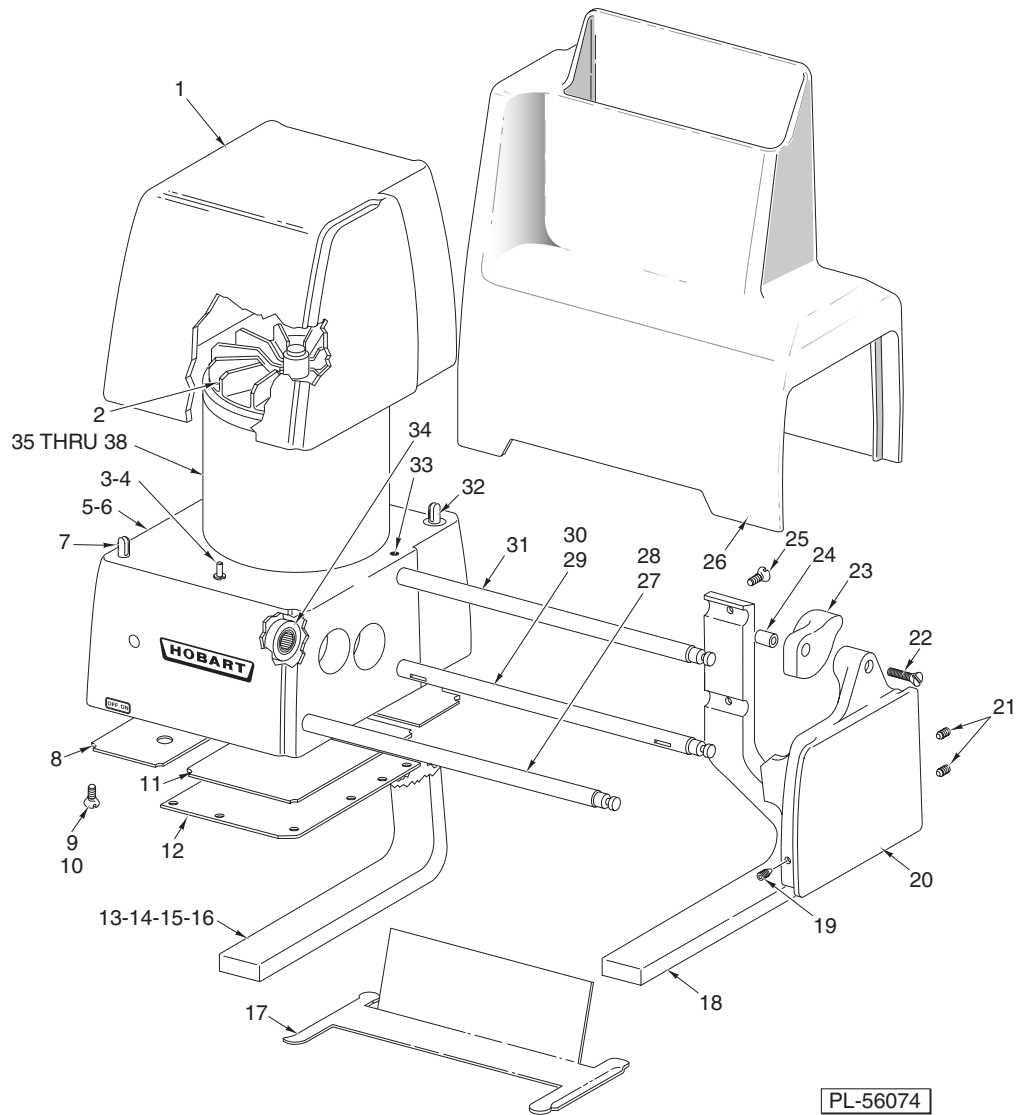
# CATALOG OF REPLACEMENT PARTS



## TENDERIZERS

(INCLUDES MOTOR PARTS)

403	ML-38761
403U	ML-38762
403C	ML-104603

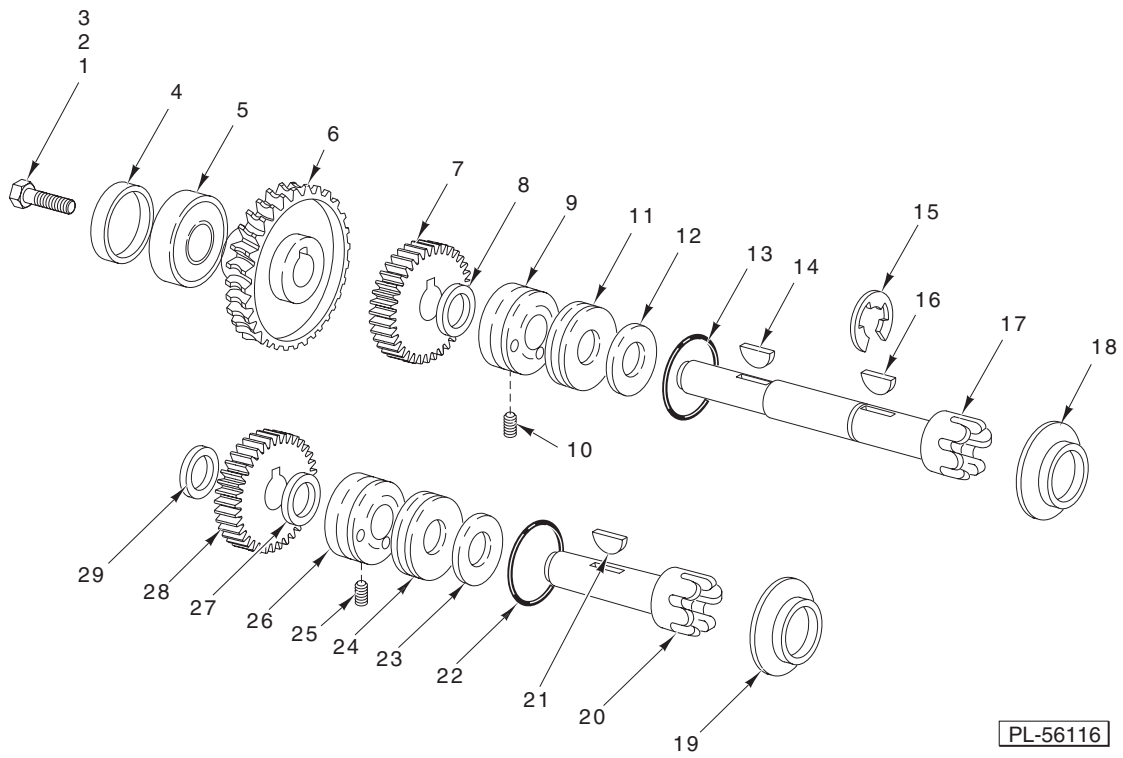


HOUSING UNIT

## HOUSING UNIT

ILLUS.	PART NO.	NAME OF PART	AMT.
	PL-56074		
1	00-290148	Motor Housing Assy. ....	1
2	00-437288	Fan (Incls. Clip) .....	1
3	00-076994	Dipstick .....	1
4	RR-010-21	Retaining Ring .....	1
5	00-438584-00001	Gear Case Assy. (60 Hz.) (Incls. Items 7, 32, 34, & Motor Shaft Seal 00-069348) .....	1
6	00-438584-00002	Gear Case Assy. (50 Hz.) (Incls. Items 7, 32, 34, & Motor Shaft Seal 00-069348) .....	1
7	00-069387	Stud .....	1
8	00-437673-00001	Cover – Bottom (W/O Overload) .....	1
9	SD-024-01	Self-Tapping Screw 10-24 x 1/2 Flat Hd., Type TT .....	16
10	SC-119-57	Mach. Screw 1/4-20 x 3/8 .....	2
*11	00-438744	Gasket .....	1
12	00-291068	Cover – Gear Case .....	1
13	00-069345	Leg – Left .....	1
14	WL-003-44	Lockwasher 5/16 Medium .....	2
15	NS-013-14	Nut 5/16-18 Hex .....	2
16	WS-005-37	Washer (Use to Shim Item 13) .....	AR
17	00-069354	Shield .....	1
18	00-069346	Leg – Right .....	1
19	SC-116-87	Set Screw 1/4-20 x 1/4 Special .....	1
20	00-438583-00002	Support – End Mach. ....	1
21	SC-116-87	Set Screw 1/4-20 x 1/4 Special .....	2
22	SC-114-98	Mach. Screw 10-24 x Slotted Flat Hd. ....	1
23	00-436428	Lock – Hanger .....	1
24	00-436429	Ferrule – Hanger .....	1
25	SC-022-43	Mach. Screw 5/16-18 x 1/2 Flat Hd. ....	2
26	00-270348	Guard – Transparent .....	1
27	00-069353-00002	Tie Bar – Front .....	1
28	SC-116-87	Set Screw 1/4-20 x 1/4 Special .....	1
29	00-069353-00001	Tie Bar – Lower Rear .....	1
30	SC-116-87	Set Screw 1/4-20 x 1/4 Special .....	1
31	00-069353-00003	Tie Bar – Upper Rear .....	1
32	00-069395	Stud & Base Assy. ....	1
33	SC-116-87	Set Screw 1/4-20 x 1/4 Special .....	1
34	BN-005-03	Bearing Needle .....	1
35	ML-042502	Motor (Give Elec. Spec.) .....	1
36	00-293452-00003	Starting Relay (60 Hz.) (3 Terminals) .....	1
37	00-293452-00004	Starting Relay (50 Hz.) (3 Terminals) .....	1
38	00-271612-00002	Electronic Start Switch (4 Terminals) .....	1

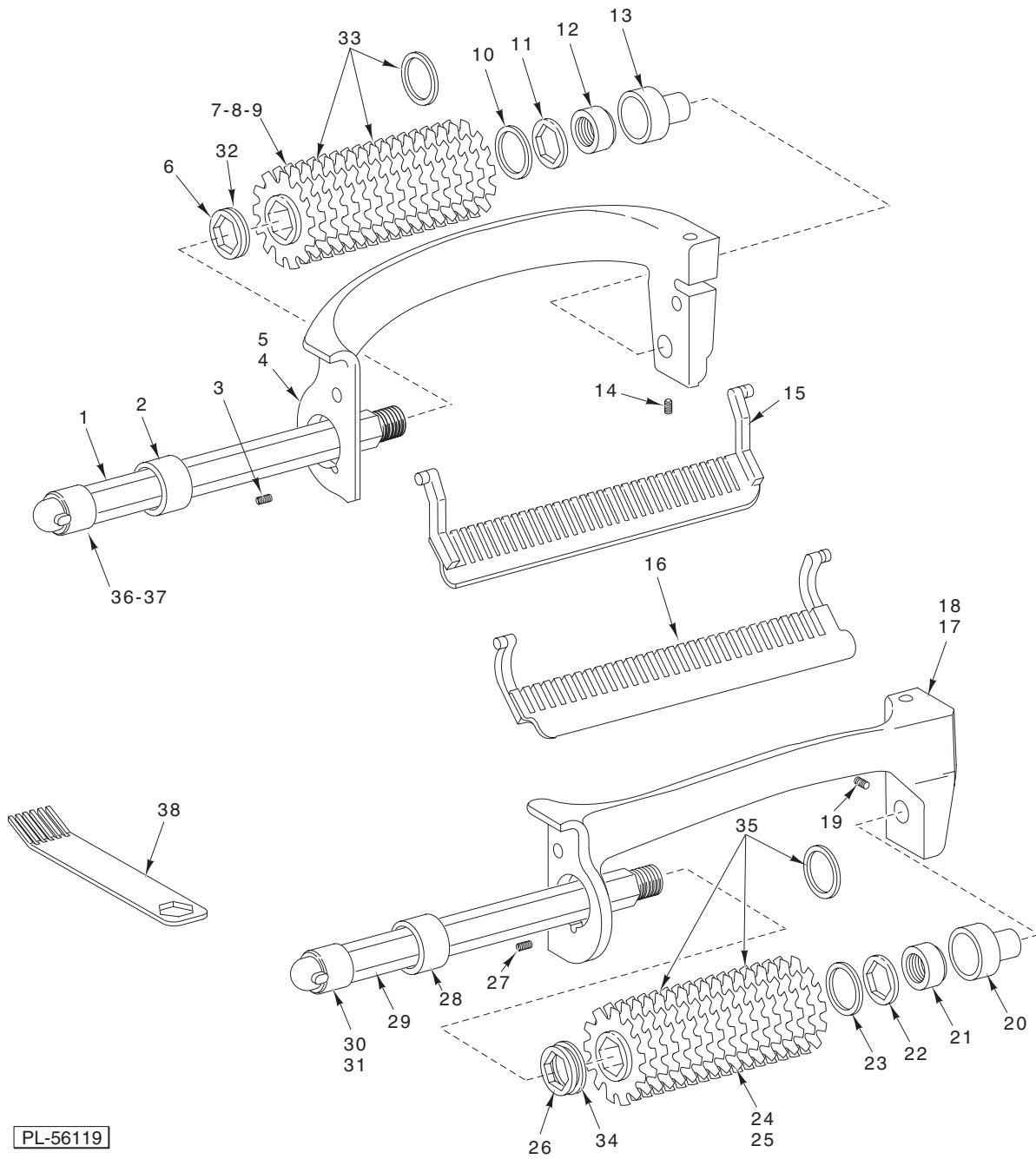
\*Prior to S/N 56-935-369 (403) and S/N 56-936-246 (403U), use 00-069396-00001.



**DRIVE UNIT**

## DRIVE UNIT

ILLUS.	PART NO.	NAME OF PART	AMT.
PL-56116			
1	SC-041-01	Cap Screw 1/4-20 x 3/4 Hex. Hd. (SST) .....	1
2	NS-013-02	Nut 1/4-20 Hex .....	1
3	WL-007-16	Lockwasher 1/4 External Shakeproof .....	1
4	00-069338	Pusher – Bearing .....	1
5	BB-020-20	Ball Bearing – Fafnir #203K .....	1
6	00-069349	Gear – Worm (29T) .....	1
7	00-076855	Gear (32T) .....	1
8	WS-011-43	Washer .....	1
9	00-292680	Bearing & Seat Assy. ....	1
10	SC-121-27	Set Screw 10-24 x 3/8 Special .....	1
11	00-292681	Seal – Retainer & Dowel Assy. (Incls. Item 13) .....	1
12	00-292675	Bearing – Thrust .....	1
13	00-067500-00069	O-Ring .....	1
14	KW-003-10	Key – Woodruff 3/16 x 3/4 Lg. ....	1
15	RR-006-09	Retaining Ring .....	1
16	KW-003-03	Key – Woodruff 1/8 x 1/2 Lg. ....	1
17	00-069361	Shaft – Back Stub .....	1
18	00-069337	Seal – Face .....	1
19	00-069337	Seal – Face .....	1
20	00-069362	Shaft – Front Stub .....	1
21	KW-003-03	Key – Woodruff 1/8 x 1/2 Lg. ....	1
22	00-067500-00069	O-Ring .....	1
23	00-292675	Bearing – Thrust .....	1
24	00-292681	Seal – Retainer & Dowel Assy. (Incls. Item 22) .....	1
25	SC-121-27	Set Screw 10-24 x 3/8 Special .....	1
26	00-292680	Bearing & Seat Assy. ....	1
27	WS-030-09	Washer .....	1
28	00-076855	Gear (32T) .....	1
29	WS-030-09	Washer .....	1



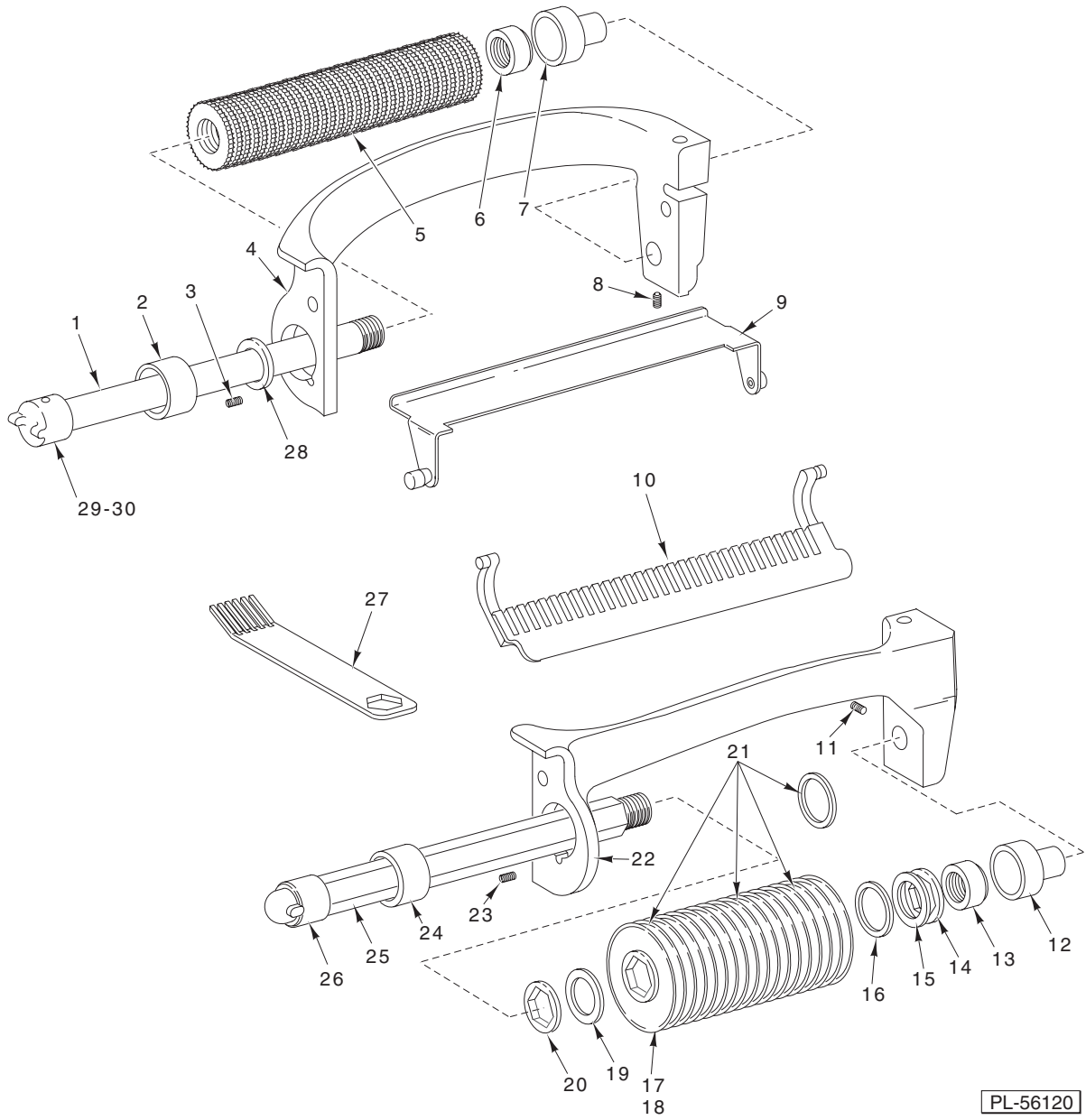
PL-56119

**LIFT-OUT UNIT  
(CLUSTER KNIVES)**

## LIFT-OUT UNIT (CLUSTER KNIVES)

ILLUS. PL-56119	PART NO.	NAME OF PART	AMT.
1	00-274180	Shaft Assy. (Rear) (Incls. Items 36 & 37) .....	1
2	00-292103	Bearing – Left Back .....	1
3	SC-064-21	Set Screw 1/4-20 x 1/4 Special .....	1
*4	–	Back Hanger .....	1
*5	–	Back Hanger (403U) .....	1
6	00-293161	Spacer – Knife Rotor .....	1
7	00-293162	Cluster – Knives (Knit) .....	3
8	00-293181	Cluster – Knives (No Knit) .....	3
9	00-293175	Cluster – Knives (Star) .....	3
10	00-293046-00002	Spacer – Knife Rotor (0.005 Thk.) .....	1
11	00-293161	Spacer – Knife Rotor .....	1
12	00-292099	Lock Nut – Back .....	1
13	00-292101	Bearing – Right .....	1
14	SC-064-21	Set Screw 1/4-20 x 1/4 Special .....	1
15	00-292106	Back Stripper Assy. ....	1
16	00-292105	Front Stripper Assy. ....	1
*17	–	Front Hanger .....	1
*18	–	Front Hanger (403U) .....	1
19	SC-064-21	Set Screw 1/4-20 x 1/4 Special .....	1
20	00-292101	Bearing – Right .....	1
21	00-292098	Lock Nut – Front .....	1
22	00-293161	Spacer – Knife Rotor .....	1
23	00-293046-00002	Spacer – Knife Rotor (0.005 Thk.) .....	1
24	00-293162	Cluster – Knives (Knit) .....	3
25	00-293175	Cluster – Knives (Star) .....	3
26	00-293161	Spacer – Knife Rotor .....	1
27	SC-064-21	Set Screw 1/4-20 x 1/4 Special .....	1
28	00-292102	Bearing – Left Front .....	1
29	00-274174	Shaft Assy. (Front) (Incls. Items 30 & 31) .....	1
30	00-274175	Hub – Shaft (Available On Units With Removable Roll Pins Only) .....	1
31	RP-004-31	Roll Pin 1/4 x 1 (Available On Units With Removable Roll Pins Only) .....	1
32	00-293046-00002	Spacer – Knife Rotor 0.005 Thk. ....	1
33	00-293046-00002	Spacer – Knife Rotor 0.005 Thk. (Insert Between Clusters) .....	2
34	00-293046-00002	Spacer – Knife Rotor 0.005 Thk. ....	1
35	00-293046-00002	Spacer – Knife Rotor 0.005 Thk. (Insert Between Clusters) .....	2
36	00-274181	Hub – Shaft (Available On Units With Removable Roll Pins Only) .....	1
37	RP-004-31	Roll Pin 1/4 x 1 (Available On Units With Removable Roll Pins Only) .....	1
38	00-292592	Fork – Cleaning .....	1
	00-295730	Lift Out Unit (Std.) .....	1
	00-295808	Lift Out Unit (403U) .....	1
	00-295731	Lift Out Unit (No Knit) .....	1
	00-295732	Lift Out Unit (Star Blade) .....	1
	00-274172	Front Roller Assy. (Knit) (No Knit) (Incls. Items 21, 22, 23, 24, 26, 29, 34, & 35) .....	1
	00-274173	Front Roller Assy. (Star Cluster) (Incls. Items 21, 22, 23, 25, 26, 29, 34, & 35) .....	1
	00-274177	Rear Roller Assy. (Knit) (Incls. Items 1, 6, 7, 10, 11, 12, 32, & 33) .....	1
	00-274179	Rear Roller Assy. (No Knit) (Incls. Items 1, 6, 8, 10, 11, 12, 32, & 33) .....	1
	00-274178	Rear Roller Assy. (Star) (Incls. Items 1, 6, 9, 10, 11, 12, 32, & 33) .....	1
	00-295965	Cleaning & Storage Unit .....	1

\*Items Have Been Discontinued. Order 00-289290-00001 For Model 403 Or 00-289290-00002 For Model 403U (Contains Front And Rear Hanger).



PL-56120

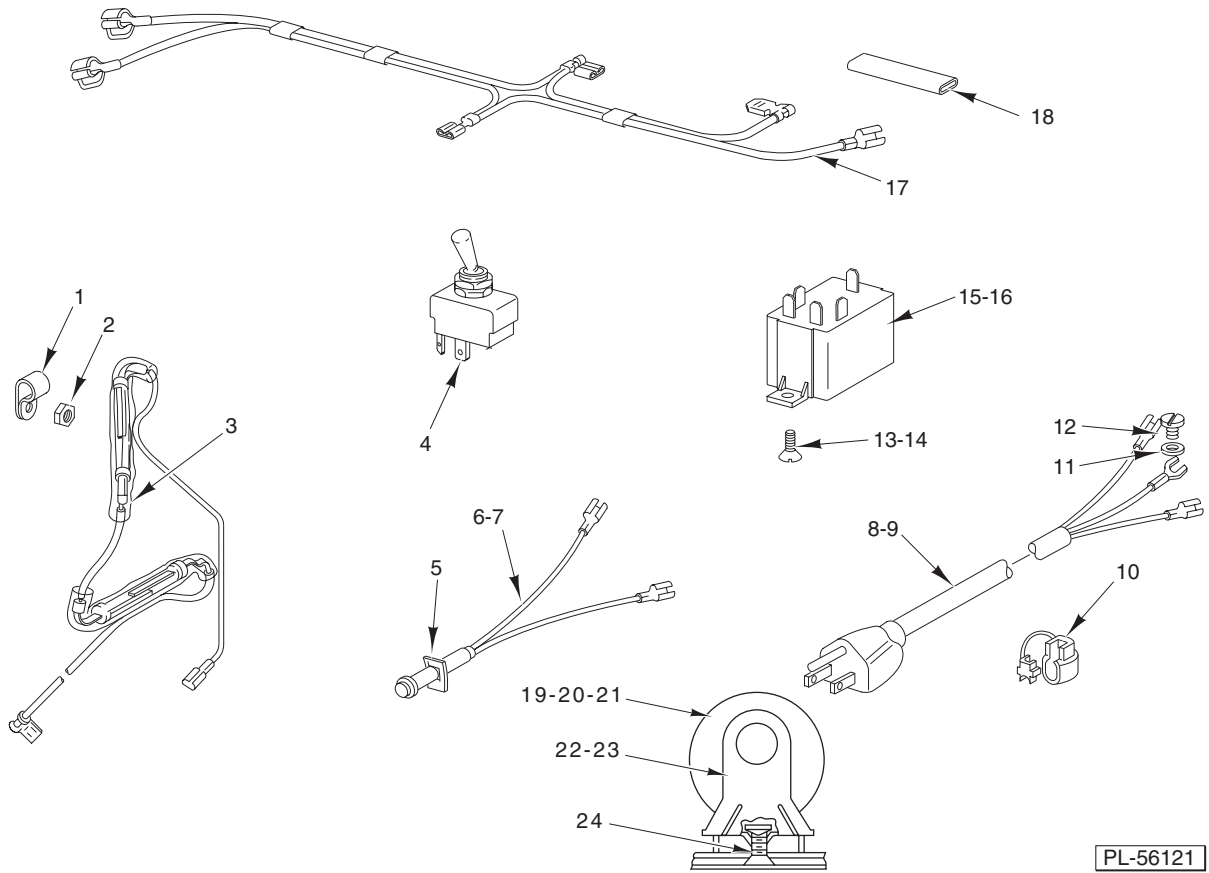
**LIFT-OUT CLUSTER UNIT JULIENNE  
(NARROW/WIDE CLUSTER KNIVES)**



**LIFT-OUT CLUSTER UNIT JULIENNE  
(NARROW/WIDE CLUSTER KNIVES)**

ILLUS. PL-56120	PART NO.	NAME OF PART	AMT.
1	00-274188	Back Blade Shaft Assy. (Incls. Items 29 & 30) .....	1
2	00-292103	Bearing – Left Back .....	1
3	SC-064-21	Set Screw 1/4-20 x 1/4 Special Hex .....	1
*4	–	Back Hanger .....	1
5	00-270304	Roller .....	1
6	00-292099	Lock Nut – Back .....	1
7	00-292101	Bearing – Right .....	1
8	SC-064-21	Set Screw 1/4-20 x 1/4 Special Hex .....	1
9	00-293197	Guide Assy. – Julienne .....	1
10	00-293192	Stripper Assy. – Julienne .....	1
11	SC-064-21	Set Screw 1/4-20 x 1/4 Special Hex .....	1
12	00-292101	Bearing – Right .....	1
13	00-292098	Lock Nut – Front .....	1
14	00-293161	Spacer – Knife Rotor 3/16 (Use with Narrow Cluster Only) .....	1
15	00-293046-00002	Spacer – Knife Rotor (0.005 Thk.) .....	1
16	00-293046-00001	Spacer (Use With Narrow Cluster .075 Only) .....	1
17	00-293187	Cluster – Knives 3/8 (Julienne Wide) .....	4
18	00-293188	Cluster – Knives 3/16 (Julienne Narrow) .....	3
19	00-293046-00002	Spacer – Knife Rotor (0.005 Thk.) .....	1
20	00-293161	Spacer – Knife Rotor .....	1
21	00-293046-00002	Spacer – Knife Rotor (0.005 Thk.) (Insert Between Clusters) .....	AR
*22	–	Front Hanger (Incls. Label) .....	1
23	SC-064-21	Set Screw 1/4-20 x 1/4 Special Hex .....	1
24	00-292103	Bearing – Left Back .....	1
25	00-274185	Front Shaft Assy. (Julienne) (Incls. Items 29 & 30) .....	1
26	00-274181	Hub – Shaft (Available On Units With Removable Roll Pins Only) .....	1
27	00-292592	Fork – Cleaning .....	1
28	00-293161	Spacer – Knife Rotor .....	1
29	00-274181	Hub – Rear Shaft Drive (Available On Units With Removable Roll Pins Only) .....	1
30	RP-004-31	Roll Pin 1/4 x 1 (Available On Units With Removable Roll Pins Only) .....	1
	00-274184	Front Roller Assy. 3/16 (Julienne Narrow) (Incls. Items 13 thru 15, 19, 20, 21, & 25) .....	1
	00-274183	Front Roller Assy. 3/8 (Julienne Wide) (Incls. Items 13, 15, 17, 19, 20, 21, & 25) .....	1
	00-274187	Rear Roller Assy. (Julienne) (Incls Items 1, 5, 6, & 28) .....	1
	00-295965	Cleaning & Storage Unit .....	1
	00-270241	Hanger – (Julienne) Service Kit .....	1

\*Items Have Been Discontinued. Order 00-270241 (Contains Front & Back Hanger).



**ELECTRICAL UNIT**

## ELECTRICAL UNIT

ILLUS.	PART NO.	NAME OF PART	AMT.
PL-56121			
1	00-069193-00004	Clip – Cord .....	2
2	NS-009-07	Mach. Nut 6-32 Hex .....	2
3	00-069377	Reed Switch Assy. ....	1
4	00-087711-148-1	Switch (With Nuts) .....	1
5	00-069360-00003	Push Nut .....	1
6	00-069360-00001	Pilot Light (115 V.) (Incls. Item 5) .....	1
7	00-069360-00002	Pilot Light (230 V.) (Incls. Item 5) .....	1
8	00-117542-00021	Cord & Plug Assy. (3 Cond., Under 150 V., 60 Hz.) .....	1
9	00-117542-00042	Cord Only (Less Plug) (3 Cond.) (50 Hz.) .....	1
10	FE-021-21	Strain Relief .....	1
11	WL-006-07	Lockwasher #10 Medium .....	1
12	SD-024-01	Self-Tapping Screw 10-24 x <sup>3</sup> / <sub>8</sub> Pan Hd., Type TT .....	1
13	SC-022-01	Mach. Screw 6-32 x <sup>3</sup> / <sub>8</sub> Flat Hd. ....	2
14	NS-009-07	Mach. Nut 6-32 Hex .....	2
15	00-087714-035-1	Relay (115 V., 50/60 Hz.) .....	1
16	00-087714-035-2	Relay (220-240 V., 50 Hz.) .....	1
17	00-076773	Harness – Wiring .....	1
18	00-065890-00029	Connector – Splice .....	2
19	00-070487-00003	Capacitor (Use On Machines With Starting Relay) .....	1
20	00-070487-00024	Capacitor (Use On Machines With Electronic Start Switch) .....	1
21	00-070486-00001	End Cap – Capacitor .....	1
22	00-076774	Tension Nut 10-24 Sq. ....	2
23	00-066621-00001	End Cap – Capacitor .....	1
24	SC-022-16	Mach. Screw 10-24 x <sup>5</sup> / <sub>16</sub> Flat Hd. ....	2

