

VULCAN

CATALOG OF REPLACEMENT PARTS

GAS RESTAURANT RANGES 90 SERIES AND VG SERIES

MODEL

24L	ML-52947
36L/LC	ML-52948
481L/LC	ML-52950
148L/LC	ML-52951
60L/LC/LCC	ML-52952
260L/LC/LCC	ML-52954
VG24	ML-114553
VG36	ML-114554
VG60	ML-114555
VG260	ML-114557

PRIOR MLS COVERED IN THE CATALOG

48L	ML-52949
160L/LC	ML-52953
72L/LC/LCC	ML-52961
272L/LC/LCC	ML-52963
172L/LC	ML-52962
VG48	ML-114957
VG160	ML-114556



For additional information on Vulcan-Hart or to locate an authorized parts and service provider in your area, visit our website at www.vulcanhart.com

PRODUCT IDENTIFICATION CODE

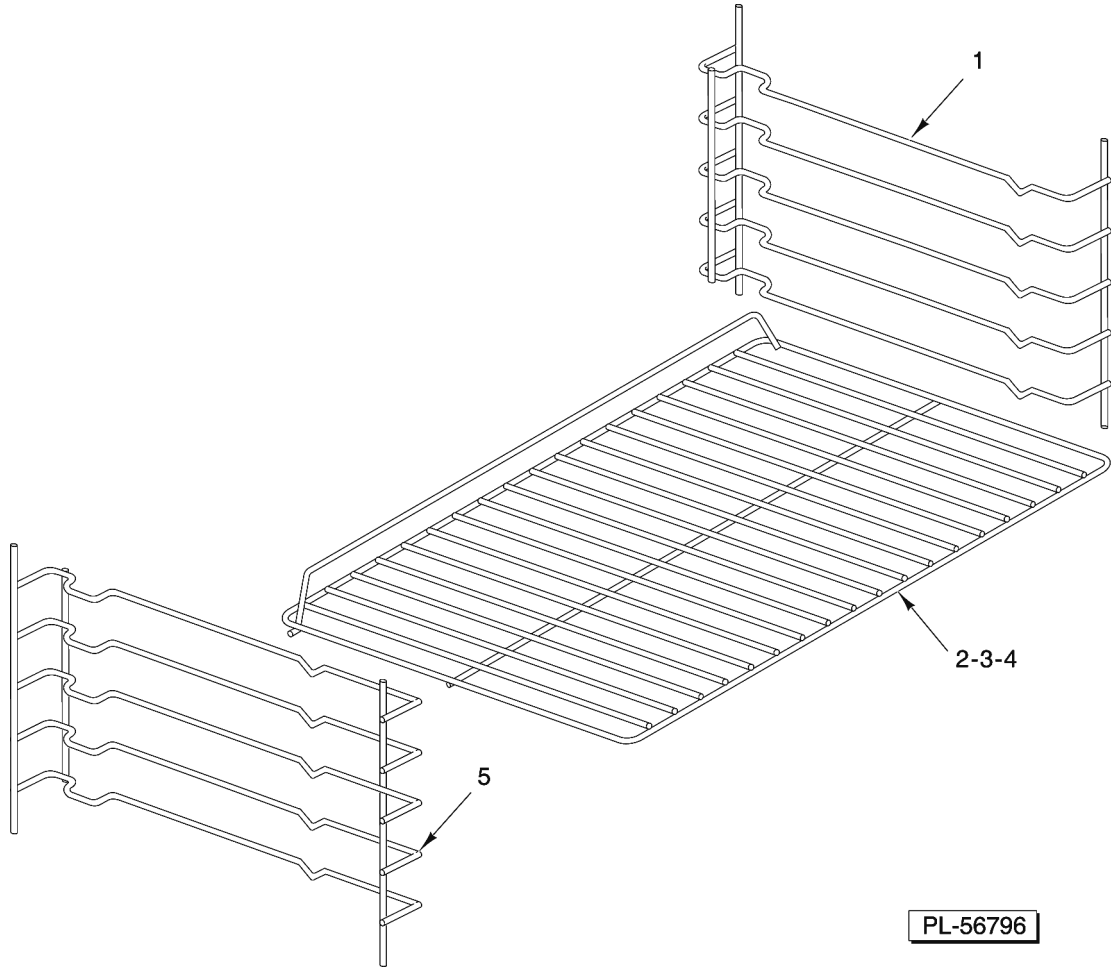
L = STANDARD OVEN

LC = (1) STANDARD OVEN/(1) CONVECTION OVEN

LCC = 2 CONVECTION OVENS

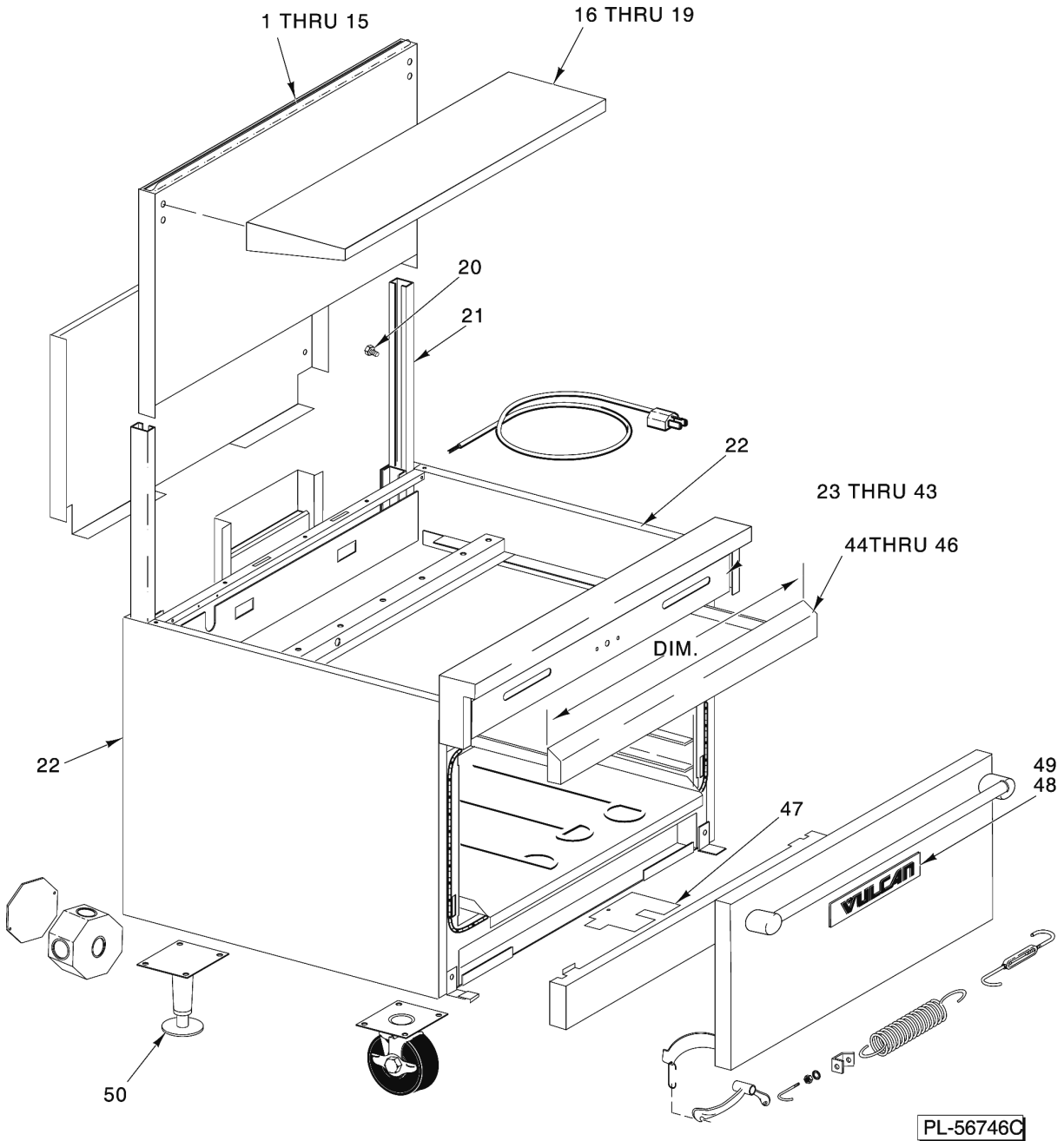
MODEL *	WIDTH (INCHES)	OVEN DESCRIPTION
24L	24	(1) STD. OVEN
48L	48	(2) STD. OVENS
481L	48	(1) STD. OVEN
481LC	48	(1) CONVECTION OVEN
148L	48	(1) STD. OVEN
148LC	48	(1) CONVECTION OVEN
36L	36	(1) STD. OVEN
36LC	36	(1) CONVECTION OVEN
60L	60	(2) STD. OVEN
60LC	60	(1) STD. OVEN & (1) CONVECTION OVEN
60LCC	60	(2) CONVECTION OVENS
160L	60	(1) STD. OVEN
160LC	60	(1) CONVECTION OVEN
260L	60	(2) STD. OVENS
260LC	60	(1) STD. OVEN & (1) CONVECTION OVEN
260LCC	60	(2) CONVECTION OVENS

**TOP CONFIGURATIONS VARY*



OVEN RACKS

ILLUS.	PART NO.	NAME OF PART	AMT.
1	00-415430-00003	Support – Rack Assy. (RH) (Conv. Oven)	AR
2	00-413991-00002	Rack – Oven (Conv. Oven) (Shown)	AR
3	00-413300-00001	Rack – Oven (Std. Oven) (36L, 148L, 481L, 60L/LC, 160L, & 260L/LC)	AR
4	00-417248-00001	Rack – Oven (Std. Oven) (24L & 48L)	AR
5	00-415430-00004	Support – Rack Assy. (LH) (Conv. Oven)	AR
	00-417632-00001	Rack – Broiler-Griddle	AR



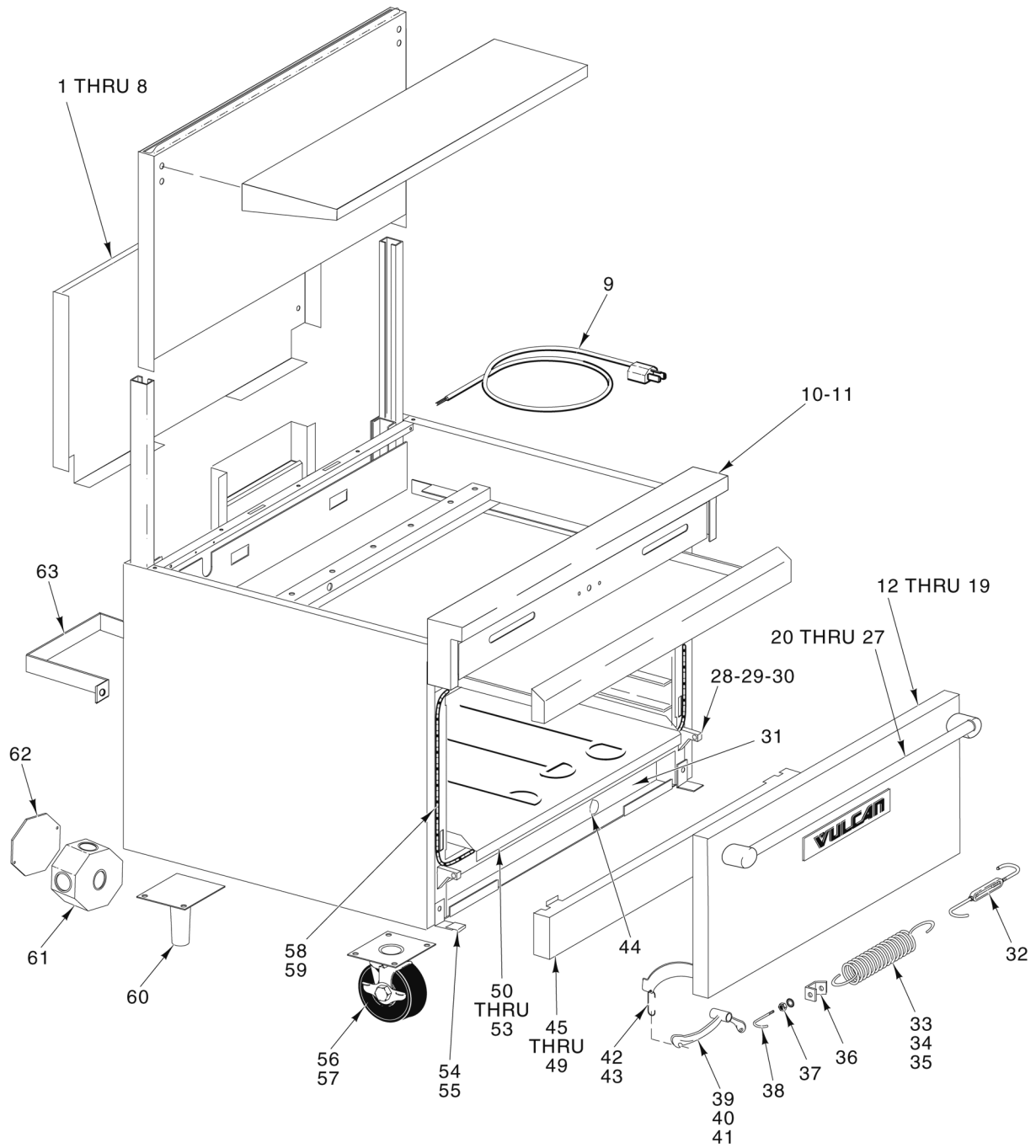
OVEN BODY

ILLUS.	PART NO.	NAME OF PART	AMT.
*1	00-417330-00001	Back Splash (24 In. High, SST) (24L)	AR
2	00-417335-00001	Back Splash (12 In. High, SST) (24L)	AR
*3	00-417331-00001	Back Splash (24 In. High, SST) (36L/LC)	AR
4	00-417336-00001	Back Splash (12 In. High, SST) (36L/LC)	AR
*5	00-417337-00001	Back Splash (24 In. High, SST) (48L & 481L/LC)	AR
6	00-417332-00001	Back Splash (12 In. High, SST) (48L & 481L/LC)	AR
*7	00-417329-00001	Back Splash (24 In. High, SST) (148L/LC)	AR
8	00-417348-00001	Back Splash (12 In. High, SST) (148L/LC)	AR

OVEN BODY (Cont.)

ILLUS.	PART NO.	NAME OF PART	AMT.
	PL-56746C		
9	00-417333-00001	Back Splash (24 In. High, SST) (60L/LC/LCC & 160L/LC)	AR
10	00-417338-00001	Back Splash (12 In. High, SST) (60L/LC/LCC & 160L/LC)	AR
*11	00-417334-00001	Back Splash (24 In. High, SST) (260L/LC/LCC)	AR
12	00-417339-00001	Back Splash (12 In. High, SST) (260L/LC/LCC)	AR
13	00-418760-000G1	Low Riser Assy. 11 In. (S.S.) (for 36" Unit)	AR
14	SC-121-26	Mach. Screw 1/4-20 x 2 ⁵ / ₁₆ Rd. Hd. (Used for Shelf Mounting)	4
15	NS-044-14	Nut 1/4-20 Hex KEPS	AR
16	00-417243-000G1	Shelf (SST) (24L) (Shown)	AR
17	00-417244-000G1	Shelf (SST) 36 In.	AR
18	00-417245-000G1	Shelf (SST) (48L, 148L/LC, & 481L/LC)	AR
19	00-417246-000G1	Shelf (SST) (60L/LC/LCC, 160L/LC, & 260L/LC/LCC)	AR
20	SD-032-07	Self-Tapping Screw 10-24 x 1/2 Hex Washer Hd., Type TT	AR
21	00-417252-00001	Channel – Bayonet (Used With Items 1 thru 25)	AR
22	00-417212-00003	Side Body (SST) RH/LH	AR
23	00-417595-00001	Panel – Manifold Cover (24L)	AR
24	00-417596-00001	Panel – Manifold Cover (36L & 160L)	AR
25	00-417624-00001	Panel – Manifold Cover (36L W/Griddle)	AR
26	00-417597-00001	Panel – Manifold Cover (36L & 160LC)	AR
27	00-417628-00001	Panel – Manifold Cover (36LC W/Griddle)	AR
28	00-417603-00001	Panel – Manifold Cover (48L)	AR
29	00-417591-00001	Panel – Manifold Cover (48L W/Griddle)	AR
30	00-417588-00001	Panel – Manifold Cover (148LC)	AR
31	00-417601-00001	Panel – Manifold Cover (481L)	AR
32	00-417589-00001	Panel – Manifold Cover (481L W/Griddle)	AR
33	00-417602-00001	Panel – Manifold Cover (481LC)	AR
34	00-417590-00001	Panel – Manifold Cover (481LC W/Griddle)	AR
35	00-417604-00001	Panel – Manifold Cover (60L)	AR
36	00-417592-00001	Panel – Manifold Cover (60L W/Griddle)	AR
37	00-417605-00001	Panel – Manifold Cover (60LC)	AR
38	00-417593-00001	Panel – Manifold Cover (60LC W/Griddle)	AR
39	00-417606-00001	Panel – Manifold Cover (60LCC)	AR
40	00-417594-00001	Panel – Manifold Cover (60LCC W/Griddle)	AR
41	00-417598-00001	Panel – Manifold Cover (260L)	AR
42	00-417599-00001	Panel – Manifold Cover (260LC)	AR
43	00-417600-00001	Panel – Manifold Cover (260LCC)	AR
44	00-417206-00001	Drip Pan (12 In.)	AR
45	00-417631-00001	Drip Pan (24 In.)	AR
46	00-417229-00001	Drip Pan (36 In.)	AR
47	00-414370-00001	Oven Access Plate, Convection Oven Standing Pilot Only	AR
48	NS-047-28	Lock Nut 3/16 Stud Special	AR
49	00-417700-00001	Plate – Logo	AR
50	00-425246-00001	Leg – Flanged 6 In.	AR
	00-424918-00001	Handle – Drip Pan (12")	AR
	00-424919-00001	Handle – Drip Pan (24")	AR
	00-424920-00001	Handle – Drip Pan (36")	AR

*Shelf Mounting Holes Provided.



PL-56747D

OVEN BODY AND DOOR

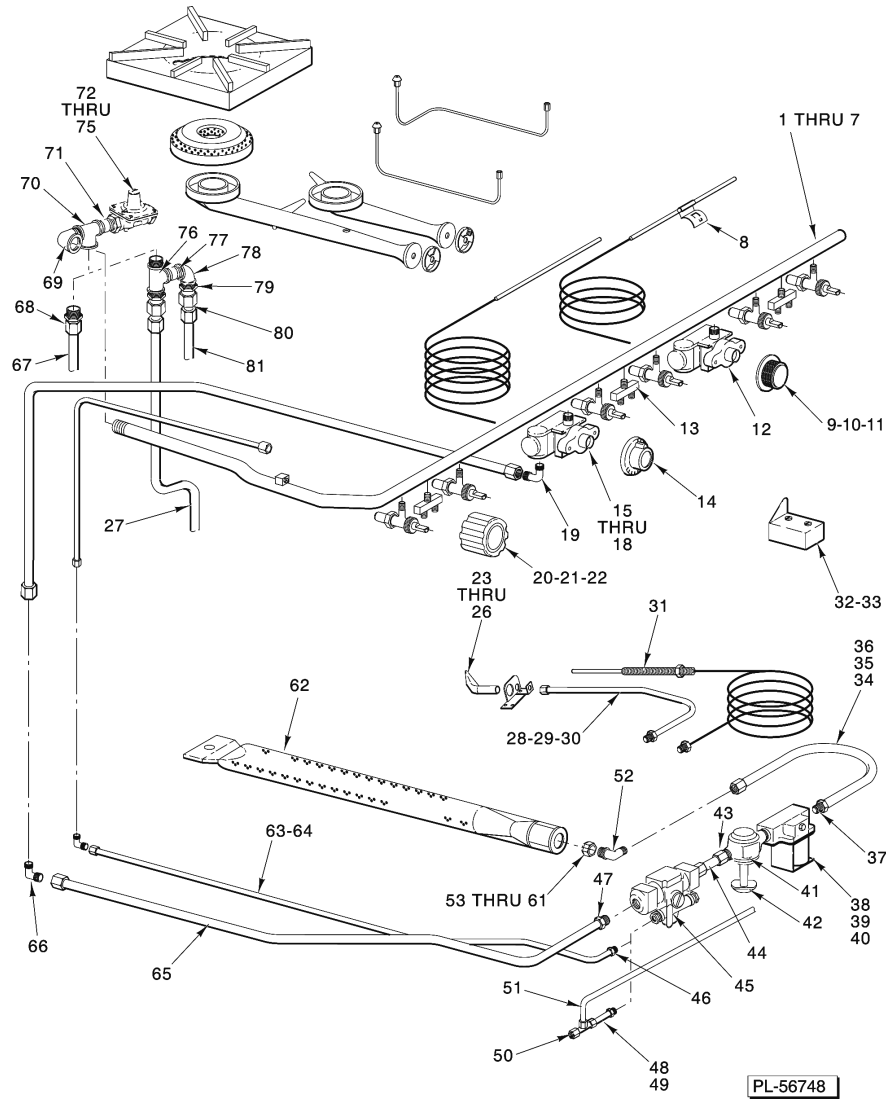
ILLUS.	PART NO.	NAME OF PART	AMT.
1	00-417340-00001	Shield – Heat (27 In. High) (24L)	AR
2	00-417344-00001	Shield – Heat (14 ³ / ₄ In. High) (24L)	AR
3	00-417341-00001	Shield – Heat (27 In. High) (36L/LC)	AR
4	00-417345-00001	Shield – Heat (14 ³ / ₄ In. High) (36L/LC)	AR
5	00-417342-00001	Shield – Heat (27 In. High) (48L, 148L/LC, & 481L/LC)	AR
6	00-417346-00001	Shield – Heat (14 ³ / ₄ In. High) (48L, 148L/LC, & 481L/LC)	AR
7	00-417343-00001	Shield – Heat (27 In. High) (60L/LC/LCC, 160L/LC, & 260L/LC/LCC)	AR

OVEN BODY AND DOOR (Cont.)

ILLUS. PL-56747D	PART NO.	NAME OF PART	AMT.
8	00-417347-00001	Shield – Heat (14 ³ / ₄ In. High) (60L/LC/LCC, 160L/LC, & 260L/LC/LCC)	AR
9	00-405016-00001	Cord – Electric Supply (120 V.) (Conv. Oven)	AR
10	00-424924-000G2	Front Top Assy. (36L)	AR
11	00-422012-000G4	Front Top Assy. (60L)	AR
12	00-421945-00G17	Door Assy. (SST) (24 In. Std. Oven) (24L, 48L)	AR
13	00-421945-00G19	Door Assy. (SST) (VG24)	AR
14	00-421945-00G40	Door Assy. (SST) (36 In. Std. Oven) (36L, 481L, 148L, 160L)	AR
15	00-421945-00G42	Door Assy. (SST) (VG36)	AR
16	00-421945-000G6	Door Assy. (SST) (36 In. Conv. Oven) (36LC, 481LC, 148LC, 160LC)	AR
17	00-421945-00G27	Door Assy. (SST) (30 In. Std. Oven) (60L, 260L)	AR
18	00-421945-00G29	Door Assy. (SST) (VG60)	AR
19	00-421945-00G10	Door Assy. (SST) (30 In. Conv. Oven) (60LC, 60LCC, 260LC, 260LCC)	AR
20	00-421950-00002	Post – Door Handle (RH) (90 Series)	AR
	00-413416-00001	Post – Door Handle (RH) (VG Series) (Prior to 5-24-08)	AR
	00-719622	Post – Door Handle (RH) (VG Series) (5-24-08 to Present)	AR
21	00-421950-00001	Post – Door Handle (LH) (90 Series)	AR
	00-413416-00002	Post – Door Handle (LH) (VG Series) (Prior to 5-24-08)	AR
	00-719621	Post – Door Handle (LH) (VG Series) (5-24-08 to Present)	AR
22	00-425091-00001	Insert (25 In.) (Red) (90 Series)	AR
23	00-425091-00002	Insert (30 In.) (Red) (90 Series)	AR
24	00-425091-00003	Insert (36 In.) (Red) (90 Series)	AR
25	00-419765-00005	Handle – Oven Door (24 In.) (90 Series)	AR
26	00-419765-00006	Handle – Oven Door (30 In.) (90 Series)	AR
27	00-419765-00004	Handle – Oven Door (36 In.) (90 Series)	AR
28	00-414976-00001	Block – Trunion (Std. Oven)	AR
29	00-417461-00001	Block – Trunion (Conv. Oven)	AR
30	00-413785-00001	Stud – Trunion Block	AR
31	00-426276-00001	Oven Burner Closure for Spark Convection Ovens	AR
32	00-417865-00001	Turnbuckle (36L/LC, 60L/LC/LCC, 160L/LC, 148L/LCC, 481L/LC, & 260L/LC/LCC)	AR
33	00-412014-00001	Spring W/Swivel Hook (24L & 48L)	AR
34	00-404053-00001	Spring – Oven Door (36L/LC, 148L/LC, 481L/LC, & 160L/LC)	AR
35	00-413342-00001	Spring – Oven Door (60L/LC/LCC & 260L/LC/LCC)	AR
36	00-417367-00001	Bracket – Spring (24L & 48L)	AR
37	NS-047-73	Lock Nut ⁵ / ₁₆ -18 Hex	AR
38	00-417366-00001	Bolt – J ¹ / ₄ -20 (24L & 48L)	AR
39	00-403956-00001	Crank – Bell	AR
40	PC-003-34	Cotter Pin ³ / ₃₂ x ³ / ₄	AR
41	00-403971-00001	Pin – Bell Crank	AR
42	00-413381-00001	Hook – Bell Crank (RH)	AR
43	00-413381-00002	Hook – Bell Crank (LH)	AR
44	00-411928-00001	Cover – Lighter Hole (Std. Oven)	AR
45	00-421115-000G1	Kick Panel Assy. (24L) (Prior to 12-11-02)	AR
	00-428194-000G1	Kick Panel Assy. (24”) (12-12-02 to Present)	AR
46	00-428220-000G1	Kick Panel Assy. (36”) (5-1-02 to Present) (Spark Ignition Only)	AR
	00-428222-000G1	Kick Panel Assy. (36”) (36L/LC, 148L/LC, 481L/LC, 160L/LC) (Standing Pilot Only)	AR
47	00-421117-000G1	Kick Panel Assy. (48L) (Prior to 12-11-02)	AR
	00-428196-000G1	Kick Panel Assy. (48”) (12-12-02 to Present)	AR
48	00-421118-000G1	Kick Panel Assy. (60L/LC/LCC & 260L/LC/LCC) (Std. Oven) (Prior to 12-11-02) (Standing Pilot)	AR
	00-428197-000G1	Kick Panel Assy. (60”) (12-12-02 to Present) (Standing Pilot Only)	AR
49	00-426242-000G1	Kick Panel Assy. (60L/LC/LCC) (Conv. Oven) (6-15-00 to 5-1-02) (Spark Ignition)	AR
	00-428221-000G1	Kick Panel Assy. (60”) (12-12-02 to Present) (Spark Ignition Only)	AR
50	00-425218-000G1	Bottom – Perforated (Service Only)	AR
	00-417210-00001	Oven Bottom (24L, 48L)	AR
	00-413234-00001	Oven Bottom (36L, 148L, 481L, 60L, 160L, 72L, 260L)	AR
51	00-425219-00001	Bottom – Solid (Service Only)	AR
52	00-417235-00001	Bottom – Solid (Gas)	AR
	00-413228-00001	Baffle (36L, 148L, 481L, 60L, 72L, 260L)	AR
	00-417217-00001	Baffle (24L, 48L)	AR
53	00-414380-00002	Bottom – Oven (Conv. Oven) (Not Shown)	AR

OVEN BODY AND DOOR (Cont.)

ILLUS.	PART NO.	NAME OF PART	AMT.
PL-56747D			
54	00-413371-00001	Clip – Spring (Kick Panel)	AR
55	00-417362-00001	Retainer – Kick Panel	AR
56	00-497001-00002	Caster W/Brake	AR
57	00-497001-00001	Caster	AR
58	00-417426-00001	Gasket – Oven Door (Conv. Oven & Both Ovens on 60LC & 260LC)	AR
59	00-426260-00001	Gasket – Door (W/Spark Ignition) (30 In. & 36 In.)	AR
60	00-413112-00012	Leg 6 In. (SST)	AR
61	00-406734-00001	Box – Jct. (Octagon) (Conv. Oven)	AR
62	00-406734-00002	Cover – Junction Box (Conv. Oven)	AR
63	00-414479-00001	Bar – Bumper (Conv. Oven)	AR
	00-404092-00004	Insulation	AR
	00-417853-00002	Nut – Door Post 1/4-20	AR
	SC-122-19	Bolt – Door Post	AR



GAS MANIFOLD AND TUBING

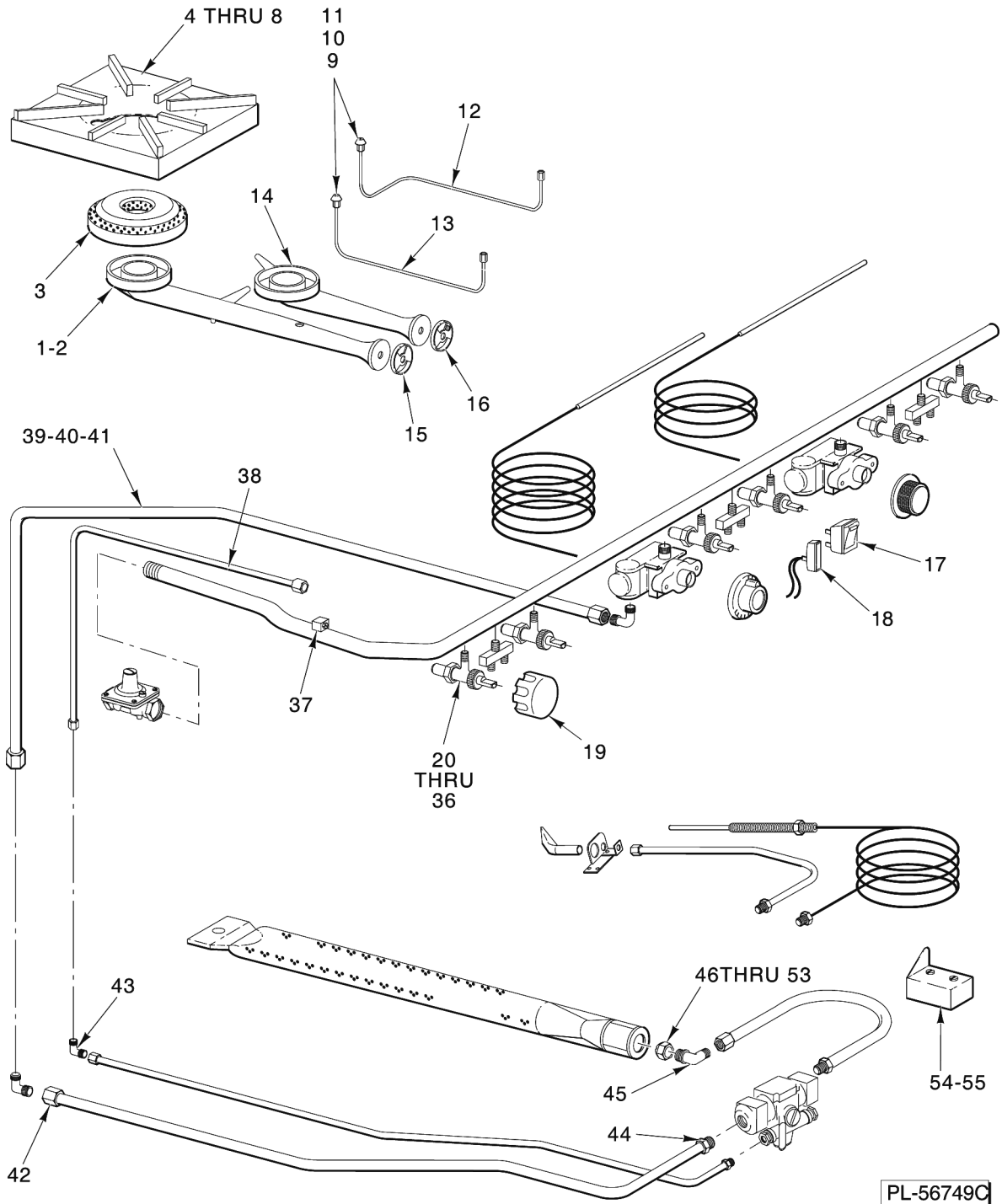
ILLUS. PL-56748	PART NO.	NAME OF PART	AMT.
1	00-417279-00001	Manifold (24L)	AR
2	00-417281-00001	Manifold (48L & 481L/LC)	AR
3	00-417280-00001	Manifold (36L/LC)	AR
4	00-417273-00001	Manifold (148L/LC)	AR
5	00-417282-00001	Manifold (60L/LC/LCC)	AR
6	00-417278-00001	Manifold (160L/LC)	AR
7	00-417283-00001	Manifold (260L/LC/LCC)	AR
8	00-415677-00001	Clip - Capillary	AR
9	00-417490-00001	Dial - Thermostat (Fahrenheit) (Conv. Oven)	AR
10	00-417490-00002	Dial - Thermostat (Centigrade) (Conv. Oven) (Red)	AR
11	00-413976-00001	Dial - Thermostat (Centigrade) (Black)	AR
12	00-411506-00011	Thermostat (KXT) (Conv. Oven)	AR
13	00-420786-00001	Valve - Pilot (Dual) (Open Top)	AR
14	00-417576-00001	Dial - Control (Std. Oven) (Red) (VG Series)	AR
	00-417576-00005	Dial - Control (Std. Oven) (Black) (90 Series)	AR
15	00-417424-000G1	Thermostat (BJWA) (Std. Oven)	AR
16	00-417576-00002	Thermostat (Dial) (T Model)	AR
17	00-417424-000G2	Thermostat (Fahrenheit) (60T Model)	AR
18	00-415677-00001	Clip - Capillary	AR
19	FP-086-43	Fitting - Tube 7/16 x 1/4 FPT Brass Elbow 90 Deg.	AR

GAS MANIFOLD AND TUBING (Cont.)

ILLUS.	PART NO.	NAME OF PART	AMT.
PL-56748			
20	00-421949-00002	Knob – Control (Open & Hot Top) (Black) (Service Open Only)	AR
21	00-426745-00001	Knob – Control (Ergonomic) (Black) (90 Series)	AR
22	00-420560-00001	Knob – Gas Valve (Red) (VG Series)	AR
23	00-412787-00001	Pilot – Oven (Nat.)	AR
24	00-426233-00001	Pilot – Spark Oven (Nat.)	AR
25	00-412787-00002	Pilot – Oven (L.P.)	AR
26	00-426233-00002	Pilot – Spark Ignition (Propane)	AR
27	00-417455-00001	Tubing – LH Supply to Elbow (LCC Units)	AR
28	00-414543-00001	Tube – Pilot to Safety (Conv. Oven)	AR
29	00-417499-00001	Tube – Pilot to Safety (Std. Oven)	AR
30	00-417499-00002	Tube – Pilot to Safety (24L & 48L)	AR
31	00-412788-00001	Thermocouple (for TS11 Prior to September 2004)	AR
	00-412788-00003	Thermocouple (September 2004 to Present)	AR
32	00-415486-00001	Insulator – Microswitch (Conv. Oven)	AR
33	00-411496-000F1	Switch – Microswitch (Door) (Conv. Oven)	AR
34	00-413370-00005	Tubing – Safety to Nozzle (24L & 48L)	AR
35	00-413370-00001	Tubing – Safety to Nozzle (Std. Oven)	AR
36	00-413370-00003	Tubing – Safety to Nozzle (Conv. Oven)	AR
37	FP-085-42	Fitting – Tube (7/16 Tube to 3/8 MPT)	AR
38	00-428067-000G2	Solenoid – Gas Valve (240 V.) (Conv. Oven)	AR
39	00-428067-000G1	Solenoid – Gas Valve (120 V.) (Conv. Oven)	AR
40	00-428067-000G3	Solenoid – Valve (24 V.) (Spark Ignition)	AR
41	00-407789-00003	Valve – Service	AR
42	00-402957-00002	Handle – Gas Cock (Red)	AR
43	FP-086-07	Fitting – Tube (7/16 Tube to 3/8 FPT)	AR
44	00-414454-00001	Tubing – Safety to Valve	AR
45	00-405569-00002	Pilot – Auto (Safety Shutoff) (TS11) (Prior to September 2004)	AR
	00-957893-000G1	Pilot – Auto (Safety Shutoff) (BASO) (September 2004 to Present) (36" or 48" Units Only)	AR
	00-957893-000G2	Pilot – Auto (Safety Shutoff) (BASO) (September 2004 to Present) (24" or 60" Units Only)	AR
46	00-405569-00003	Sleeve – Breakaway 1/4 (Use With Item 45)	AR
47	00-405569-00004	Sleeve – Breakaway 7/16 (Use With Item 45)	AR
48	00-413332-00001	Tubing – Pilot (Tee to Right Safety) (60L/LC/LCC & 260L/LC/LCC)	AR
49	00-417406-00001	Tubing – Pilot (Tee to Right Safety) (48L)	AR
50	FP-019-08	Connector – Tee (1/4 Tube)	AR
51	00-413331-00001	Tubing – Pilot (Tee to Left Safety)	AR
52	00-404079-0000F	Nozzle – Oven Burner	AR
53	00-010901-00036	Orifice – Spud (Nat.) (Sea Level to 2000 Ft.) (Conv. Oven)	AR
54	00-010901-00039	Orifice – Spud (Nat.) (2000 to 4000 Ft.) (Conv. Oven)	AR
55	00-010901-00040	Orifice – Spud (Nat.) (4000 to 6000 Ft.) (Conv. Oven)	AR
56	00-010901-00041	Orifice – Spud (Nat.) (6000 to 8000 Ft.) (Conv. Oven)	AR
57	00-010901-00052	Orifice – Spud (L.P.) (Sea Level to 2000 Ft.) (Conv. Oven)	AR
58	00-010901-00053	Orifice – Spud (L.P.) (2000 to 4000 Ft.) (Conv. Oven)	AR
59	00-010901-00054	Orifice – Spud (L.P.) (4000 to 6000 Ft.) (Conv. Oven)	AR
60	00-010901-00055	Orifice – Spud (L.P.) (6000 to 8000 Ft.) (Conv. Oven)	AR
61	00-010901-00053	Orifice – Spud (Butane) (Conv. Oven)	AR
62	00-413225-000G1	Burner Assy. – Oven	AR
63	00-417414-00001	Tubing – Pilot (Pilot Elbow to Safety) (Single Oven)	AR
64	00-417371-00001	Tubing – Pilot (Pilot Elbow to Tee) (Double Oven)	AR
65	00-417419-00001	Tubing – Burner (Safety to Fitting)	AR
66	FP-085-97	Fitting – Tube 7/16 x 7/16 Brass Elbow 90 Deg.	AR
67	00-417455-00001	Tubing – LH Supply to Elbow (LC Units)	AR
68	FP-085-42	Fitting – Tube (7/16 Tube to 3/8 MPT)	AR
69	FP-078-86	Street Elbow 3/4 x 90 Deg.	AR
70	FP-019-26	Tee 3/4 x 3/4 x 3/4	AR
71	FP-085-01	Pipe 3/4 x 1 Close	AR
72	00-408279-00020	Regulator – Pressure (Nat.)	AR
73	00-408279-00021	Regulator – Pressure (L.P. & Butane)	AR
74	00-408279-00005	Regulator (Nat.) 60/72	AR
75	00-408279-00006	Regulator (L.P.) 60/72	AR
76	FP-019-26	Tee 3/4 x 3/4 x 3/4	AR
77	FP-085-01	Pipe 3/4 x 1 Close	AR

GAS MANIFOLD AND TUBING (Cont.)

ILLUS.	PART NO.	NAME OF PART	AMT.
PL-56748			
78	FP-013-22	Elbow ³ / ₄ x 90 Deg.	AR
79	FP-026-17	Bushing ³ / ₄ to ³ / ₈ (RED)	AR
80	FP-085-42	Fitting – Tube (⁷ / ₁₆ Tube to ³ / ₈ MPT)	AR
81	00-417456-00001	Tubing – Right Supply to Elbow (LCC Units)	AR
	00-542155	Sleeving – T-Stat Plastic Insulation (NS)	AR
	00-857207-00001	Ignition Module	AR
	00-425955-00001	Transformer	AR
	FE-023-65	Fuse	AR
	00-425535-00001	Fuse Holder	AR
	00-428149-00001	Spark Module Cover	AR

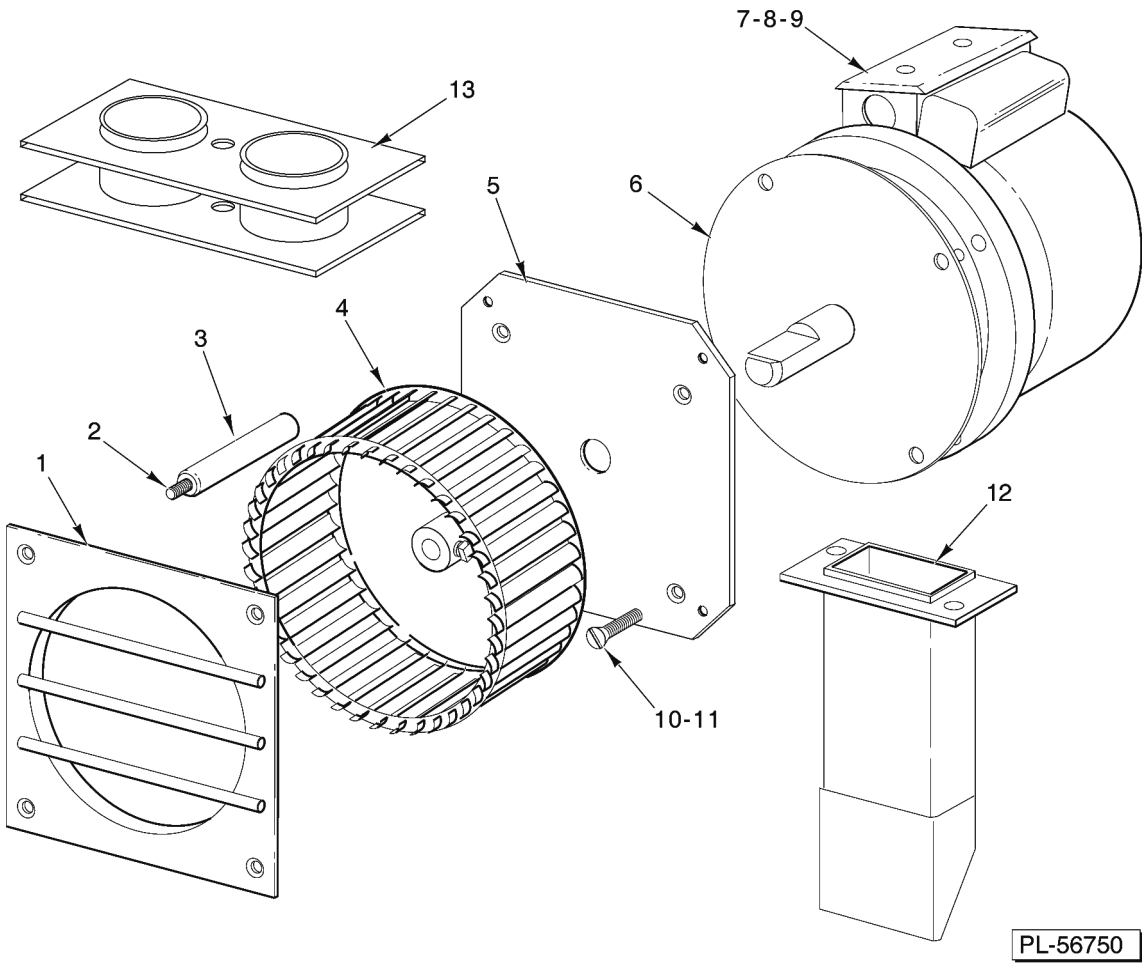


GAS BURNERS

GAS BURNERS

ILLUS.	PART NO.	NAME OF PART	AMT.
	PL-56749C		
1	00-417260-000G1	Venturi – Rear	AR
	00-421506-000G1	Rear Step Up Burner	AR
2	00-413302-00001	Clip – Pilot Mounting	AR
3	00-417608-00002	Head – Burner (12 In.) (Open Top)	AR
4	00-417256-00002	Grate (90 Series)	AR
5	00-417370-00001	Casting – Hot Top (Not Shown)	AR
6	00-417234-00001	Support – Grate.....	AR
7	00-421652-00001	Grate – Top (VG Only) (Not Shown)	AR
8	00-421629-000G2	Casting – Open Top (Porcelain) (Not Shown)	AR
9	00-412063-00002	Tip – Pilot	AR
10	FP-047-14	Fitting – ³ / ₁₆ Compression Nut	AR
11	FP-077-23	Fitting – Tube ¹ / ₂ Compression	AR
12	00-428112-000G1	Tube – Pilot Rear (Open Top)	AR
	00-428417-000G1	Tube – Pilot Rear (Step Up Burners)	AR
	00-428111-000G1	Tube – Pilot Front (Open Top)	AR
13	00-417258-000G1	Venturi – Front.....	AR
14	00-404060-00001	Mixer – Air (12 In. Open Top)	AR
15	SD-035-59	Self-Tapping Screw 10-24 x ³ / ₈ Slotted Pan Hd., Type F	AR
16	00-411496-000B1	Switch – Rocker (Conv. Oven On-Off)	AR
17	00-411496-000E8	Indicator Light – Oven (Conv. Oven)	AR
18	00-426745-00001	Knob – Black Ergonomic (Open & Hot Top Gas Valve) (90 Series)	AR
19	00-404076	Valve – Burner	AR
20	00-418051-0000F	Hood, Orifice	AR
21	00-010901-00041	Orifice – Spud (Nat.) (Sea Level to 2000 Ft.) (Open)	AR
22	00-010901-00042	Orifice – Spud (Nat.) (2000 to 4000 Ft.) (Open)	AR
23	00-010901-00043	Orifice – Spud (Nat.) (4000 to 6000 Ft.) (Open)	AR
24	00-010901-00044	Orifice – Spud (Nat.) (6000 to 8000 Ft.) (Open)	AR
25	00-010901-00053	Orifice – Spud (L.P.) (Sea Level to 4000 Ft.) (Open)	AR
26	00-010901-00054	Orifice – Spud (L.P.) (4000 to 6000 Ft.) (Open)	AR
27	00-010901-00055	Orifice – Spud (L.P.) (6000 to 8000 Ft.) (Open)	AR
28	00-010901-00048	Orifice – Spud (Nat.) (Sea Level to 2000 Ft.) (Std. Griddle)	AR
*29	00-010901-00049	Orifice – Spud (Nat.) (2000 to 4000 Ft.) (Std. Griddle).....	AR
*30	00-010901-00050	Orifice – Spud (Nat.) (4000 to 6000 Ft.) (Std. Griddle).....	AR
*31	00-010901-00051	Orifice – Spud (Nat.) (6000 to 8000 Ft.) (Std. Griddle).....	AR
*32	00-010901-00057	Orifice – Spud (L.P.) (Sea Level to 2000 Ft.) (Std. Griddle)	AR
*33	00-010901-00058	Orifice – Spud (L.P.) (2000 to 4000 Ft.) (Std. Griddle)	AR
*34	00-010901-00060	Orifice – Spud (L.P.) (4000 to 6000 Ft.) (Std. Griddle)	AR
*35	00-010901-00063	Orifice – Spud (L.P.) (6000 to 8000 Ft.) (Std. Griddle)	AR
*36	00-426278-00001	Valve – Pilot ³ / ₁₆	AR
37	00-417389-00001	Tubing – Manifold to Elbow (¹ / ₄ Dia.)	AR
38	00-417420-00001	Tubing – Burner (Fitting to RH Thermostat) (260L & 260LC)	AR
39	00-417423-00001	Tubing – Burner (Fitting to LH Thermostat) (Std. Oven)	AR
40	00-417422-00001	Tubing – Burner (Fitting to RH Thermostat) (60L & 60LC)	AR
41	FP-086-07	Fitting	AR
42	FP-047-24	Fitting – Tube ¹ / ₄ x ¹ / ₄ Brass Elbow 90 Deg.	AR
43	FP-085-42	Fitting – Safety Valve (⁷ / ₁₆ Tube)	AR
44	00-404079-0000F	Nozzle – Oven Burner	AR
45	00-010901-00032	Orifice – Spud (Nat.) (Sea Level to 2000 Ft.) (Std. Oven)	AR
46	00-010901-00035	Orifice – Spud (Nat.) (2000 to 4000 Ft.) (Std. Oven).....	AR
47	00-010901-00036	Orifice – Spud (Nat.) (4000 to 8000 Ft.) (Conv. Oven)	AR
48	00-010901-00051	Orifice – Spud (Sea Level to 2000 Ft.) (Std. Oven)	AR
49	00-010901-00052	Orifice – Spud (L.P.) (2000 to 4000 Ft.) (Std. Oven)	AR
50	00-010901-00053	Orifice – Spud (L.P.) (4000 to 6000 Ft.) (Std. Oven)	AR
51	00-010901-00054	Orifice – Spud (L.P.) (6000 to 8000 Ft.) (Std. Oven)	AR
52	00-010901-00052	Orifice – Spud (Butane) (Std. Oven)	AR
53	00-414343-00001	Bracket – Door Switch (LH)	AR
54	00-414343-00002	Bracket – Door Switch (RH)	AR
55	FP-085-53	Plug – Pipe ¹ / ₈ -27 (Use to Plug Manifold)	AR
	FP-079-20	Plug – Manifold ⁹ / ₁₆ -27 NPT (Conv. Oven)	AR
	00-413302-00001	Pilot Clip	
	00-411496-00E21	Indicator Light, ON/Ready (Convection Oven)	
	00-417234-00001	Support Rail for Grates	

*Griddle Without Thermostat Control (Refer to Page 16 for Burner Valve Used on Griddle with Thermostat.)

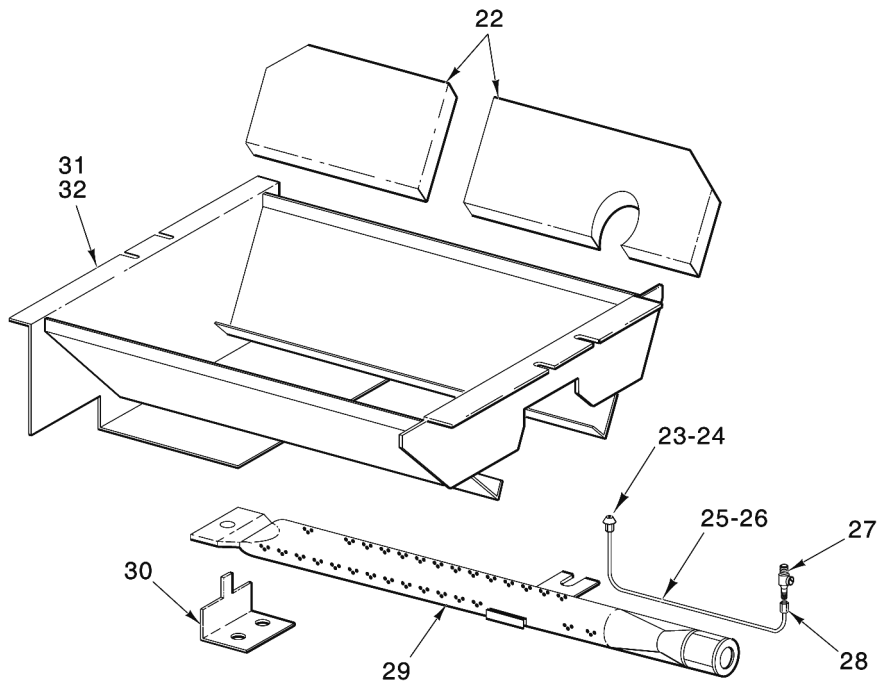
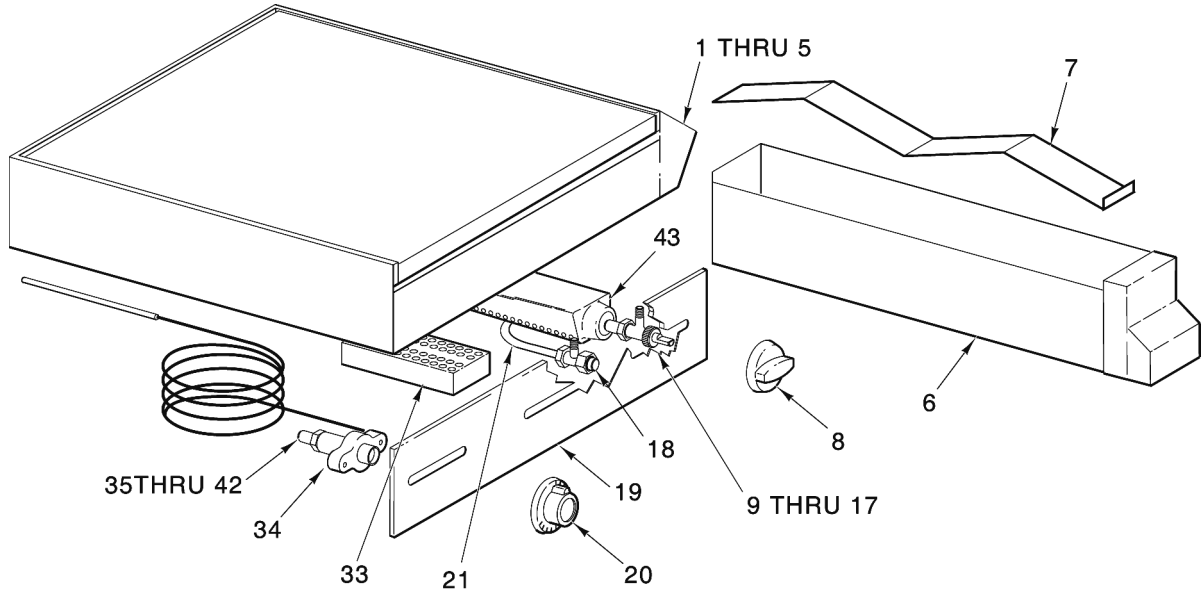


PL-56750

CONVECTION OVEN VENT MOTOR

CONVECTION OVEN VENT MOTOR

ILLUS. PL-56750	PART NO.	NAME OF PART	AMT.
1	00-413990-000G4	Cover – Fan	AR
2	SC-111-03	Mach. Screw 1/4-20 x 3 Rd. Hd.	AR
3	00-411289-00003	Spacer – Pipe 1/4 I.D. x 2 ⁵ / ₁₆ Lg.	AR
4	00-415780-00008	Wheel – Blower (7 In. Dia.) (Incls. Set Screws)	AR
5	00-413987-00001	Mount – Motor	AR
6	00-414367-00001	Insulator – Motor (970 Paper)	AR
7	00-419730-00001	Motor (1/4 Hp., 115 V.)	AR
8	00-419730-00002	Motor (1/4 Hp., 240 V.)	AR
9	00-414368-00002	Insulator – Rear Closure (970 Paper)	AR
10	SC-120-14	Mach. Screw 1/4-20 x 2 Flat Hd.	AR
11	NS-044-14	Nut 1/4-20 Hex KEPS	AR
12	00-413627-000G2	Tube Assy. – Snorkel	AR
13	00-413588-000G2	Vent Assy.	AR
	00-414413-00001	Cover – Controls	AR
	00-414001-00002	Deflector – Air	AR
	00-412630-00002	Spacer ¹¹ / ₁₆ Dia. x ¹¹ / ₁₆ Lg.	AR
	00-412630-00003	Spacer 1/4 Dia. x ⁵ / ₈ Lg.	AR
	00-419719-00002	Bracket – Motor Mount	AR
	00-427218-000G1	Wiring Harness (Spark Ignition Units Only) (Single Oven or Double Oven LH Only)	AR
	00-427217-000G1	Wiring Harness (Spark Ignition Units Only) (Single Oven or Double Oven LH Only)	AR
	00-426727-000G1	Wiring Harness (Spark Ignition Units Only) (Double Convection Ovens RH Only)	AR
	00-426725-000G1	Wiring Harness (Spark Ignition Units Only) (Double Convection Ovens RH Only)	AR
	00-426859-000G1	Wiring Harness (Spark Ignition Units Only) (Double Oven RH Non-convection)	AR
	00-426858-000G1	Wiring Harness (Spark Ignition Units Only) (Double Oven RH Non-convection)	AR
	00-420795-000G1	Wiring Harness (Standing Pilot Units Only) (Single Oven or Double Oven RH Only)	AR
	00-426725-000G1	Wiring Harness (Standing Pilot Units Only) (Single Oven or Double Oven RH Only)	AR
	00-420796-000G1	Wiring Harness (Standing Pilot Units Only) (Double Convection Oven LH Only)	AR
	00-417450-000G1	Wiring Harness (Standing Pilot Units Only) (Double Convection Oven LH Only)	AR



PL-56751C

GRIDDLE

GRIDDLE

ILLUS.	PART NO.	NAME OF PART	AMT.
PL-56751C			
1	00-358783-00041	Griddle Assy. (12 In.) (Chrome Plated, Special Order)	AR
2	00-418861-000G1	Griddle Assy. (12 In.)	AR
3	00-418862-000G1	Griddle Assy. (24 In.)	AR
4	00-418863-000G1	Griddle Assy. (36 In.)	AR
5	00-418864-000G1	Griddle Assy. (48 In.)	AR
6	00-419229-000G1	Trough Assy. – Grease (Broiler-Griddle)	AR
	00-424922-000G1	Trough Assy. – Grease (Griddle Only- No Broiler)	AR
7	00-419227-00001	Baffle – Grease Trough	AR
8	00-426745-00001	Knob – Control (Griddle & Broiler-Griddle) (90 Series)	AR
	00-420560-00001	Knob – Control (Red) (VG Series)	AR
9	00-404076	Valve – Burner	AR
10	00-418051-0000F	Hood, Orifice	AR
11	00-010901-00048	Orifice – Spud (Nat.) (Sea Level to 2000 Ft.) (Broiler-Griddle)	AR
12	00-010901-00049	Orifice – Spud (Nat.) (2000 to 6000 Ft.) (Broiler-Griddle)	AR
13	00-010901-00050	Orifice – Spud (Nat.) (6000 to 8000 Ft.) (Broiler-Griddle)	AR
14	00-010901-00056	Orifice – Spud (L.P.) (Sea Level to 2000 Ft.) (Broiler-Griddle)	AR
15	00-010901-00057	Orifice – Spud (L.P.) (2000 to 4000 Ft.) (Broiler-Griddle)	AR
16	00-010901-00058	Orifice – Spud (L.P.) (4000 to 6000 Ft.) (Broiler-Griddle)	AR
17	00-010901-00059	Orifice – Spud (L.P.) (6000 to 8000 Ft.) (Broiler-Griddle)	AR
18	00-404193-00001	Valve – Pilot (Hot Top)	AR
19	00-417663-00001	Cover – Manifold (Broiler-Griddle)	AR
20	00-417576-00002	Dial (Griddle W/Thermostat)	AR
21	00-410662-000G1	Tube Assy. – Pilot Lighter (Broiler-Griddle)	AR
22	00-425882-000G1	Brick Set (12 In. Section) (Griddle & Hot Top)	AR
23	00-412063-00002	Tip – Pilot	AR
24	FP-047-14	Fitting – ³ / ₁₆ Compression Nut	AR
25	00-428414-000G1	Tube – Pilot (Hot Top & W/O Thermostat)	AR
26	00-428414-000G2	Tube – Pilot (W/Thermostat)	AR
27	00-404738-00002	Valve – Pilot ³ / ₁₆ (Griddle)	AR
28	FP-077-23	Fitting – Compression Tube ³ / ₁₆	AR
29	00-412793-000G1	Tube – Burner	AR
30	00-417214-00001	Support – Burner	AR
31	00-417291-000G2	Baffle Assy. (Large) (Hot Top & Griddle)	AR
32	00-417292-000G2	Baffle Assy. (Large) (Hot Top & Griddle)	AR
33	00-408726-000G6	Brick Set (Griddle - Broiler)	AR
34	00-417424-000G2	Thermostat (BJWA)	AR
**35	00-417615-00F48	Nozzle – Griddle T (Nat.) (Sea Level to 2000 Ft.)	AR
**36	00-417615-00F49	Nozzle – Griddle T (Nat.) (2000 to 4000 Ft.)	AR
**37	00-417615-00F50	Nozzle – Griddle T (Nat.) (4000 to 6000 Ft.)	AR
**38	00-417615-00F51	Nozzle – Griddle T (Nat.) (6000 to 8000 Ft.)	AR
**39	00-417615-00F57	Nozzle – Griddle T (L.P.) (Sea Level to 2000 Ft.)	AR
**40	00-417615-00F58	Nozzle – Griddle T (L.P.) (2000 to 4000 Ft.)	AR
**41	00-417615-00F60	Nozzle – Griddle T (L.P.) (4000 to 6000 Ft.)	AR
**42	00-417615-00F63	Nozzle – Griddle T (L.P.) (6000 to 8000 Ft.)	AR
43	00-411684-000G1	Burner Assy. (Broiler)	AR
	00-404738-00002	Valve – Pilot ³ / ₁₆ (Griddle)	AR
	FP-085-53	Plug – Pipe ¹ / ₈ (Use to Plug Manifold)	AR
	00-417669-000G1	Tray Assy. (Broiler-Griddle)	AR
	00-426838-000G1	Drip Pan Assy. (Broiler-Griddle)	AR

**Thermostat Controlled Griddle (Refer to Page 12 for Burner Valve).

RECOMMENDED SPARE PARTS LIST
STANDARD RESTAURANT RANGE

PART NO.	NAME OF PART	AMT.
00-413342-00001	Door Spring (60, 260)	2
00-412014-00001	Door Spring (24, 48)	2
00-404053-00001	Door Spring (36, 148, 481, 160)	2
00-403956-00001	Bell Crank	2
00-413381-00001	Bell Crank Hook (RH)	2
00-413381-00002	Bell Crank Hook (LH)	2
00-408279-00006	Regulator, LP	2
00-417424-000G1	Thermostat, BJWA Oven	2
00-417424-000G2	Thermostat, Griddle	2
00-412787-00002	Pilot, Oven, LP	2
00-957893-000G1	Valve, Safety, BASO (36" or 48" Units)	2
00-957893-000G2	Valve, Safety, BASO (24" or 60" Units)	2
00-412788-00003	Thermocouple	2
00-405569-00002	Valve, Safety, RobertShaw	2
00-412788-00001	Thermocouple, used with 405569-2	2
00-404076	Valve, Top Burner	2
00-408279-00005	Regulator, Natural	2
00-412787-00001	Pilot, Oven, Natural	2
00-418051-00044	Burner Valve Orifice, Natural	2
00-418051-00055	Burner Valve Orifice, LP	2

RECOMMENDED SPARE PARTS LIST

CONVECTION OVENS BUILT AFTER 9-00 WITH SPARK IGNITION

PART NO.	NAME OF PART	AMT.
CONVECTION OVENS		
00-413342-00001	Door Spring (60, 260).....	2
00-412014-00001	Door Spring (24, 48).....	2
00-404053-00001	Door Spring (36, 148, 481, 160).....	2
00-417865-00001	Turnbuckle.....	2
00-413381-00001	Bell Crank Hook (RH).....	2
00-413381-00002	Bell Crank Hook (LH).....	2
00-408279-00006	Regulator, LP.....	2
00-417424-000G2	Thermostat, Griddle.....	2
00-419730-000G1	Motor 120 V.....	1
00-404076	Valve, Top Burner.....	2
00-408279-00005	Regulator, Natural.....	1
00-408279-00006	Regulator, LP.....	1
FE-023-65	Fuse.....	4
00-425535-00001	Fuse Holder.....	4
00-411496-000E8	Indicator, Light (Red).....	2
00-411506-00011	Thermostat, Oven.....	2
00-411496-000F1	Switch, Micro.....	2
00-411496-000B1	Switch, ON/OFF.....	2
00-857207-00001	Ignition Module.....	2
00-411496-00E21	Light, ON/Ready.....	2
00-428066-000G3	Solenoid.....	2
00-425955-00001	Transformer 120 V.....	2
00-426233-00001	Pilot, Spark Assy. Nat.....	2
00-426233-00002	Pilot, Spark Assy. LP.....	2

RECOMMENDED SPARE PARTS LIST

CONVECTION OVENS BUILT BEFORE 9-00

PART NO.	NAME OF PART	AMT.
CONVECTION OVENS		
00-413342-00001	Door Spring (60, 260)	2
00-412014-00001	Door Spring (24, 48)	2
00-404053-00001	Door Spring (36, 148, 481, 160)	2
00-417865-00001	Turnbuckle	2
00-417366-00001	J-Bolt for Springs	2
00-403956-00001	Bell Crank	2
00-413381-00001	Bell Crank Hook (RH)	2
00-413381-00002	Bell Crank Hook (LH)	2
00-408279-00006	Regulator, LP	2
00-417424-000G2	Thermostat, Griddle	2
00-419730-000G1	Motor 120 V	1
00-411496-000F1	Switch, Micro	2
00-411506-00011	Thermostat, Oven	2
00-411496-000B4	Switch, ON/OFF	2
00-411496-000E5	Indicator, Light	2
00-404076	Valve, Top Burner	2
00-408279-00005	Regulator, Natural	1
00-408279-00006	Regulator, LP	1
