

INSTALLATION & OPERATION MANUAL

RRG Heavy Duty Gas Griddles

ITW Food Equipment Group

VULCAN

MODEL	MLS
24RRG	ML-135339-00024
36RRG	ML-135340-00036
48RRG	ML-135341-00048
60RRG	ML-135342-00060

www.vulcanhart.com



36RRG

IMPORTANT FOR YOUR SAFETY

THIS MANUAL HAS BEEN PREPARED FOR PERSONNEL QUALIFIED TO INSTALL GAS EQUIPMENT, WHO SHOULD PERFORM THE INITIAL FIELD START-UP AND ADJUSTMENTS OF THE EQUIPMENT COVERED BY THIS MANUAL.


POST IN A PROMINENT LOCATION THE INSTRUCTIONS TO BE FOLLOWED IN THE EVENT THE SMELL OF GAS IS DETECTED. THIS INFORMATION CAN BE OBTAINED FROM THE LOCAL GAS SUPPLIER.

IMPORTANT

IN THE EVENT A GAS ODOR IS DETECTED, SHUT DOWN UNITS AT MAIN SHUTOFF VALVE AND CONTACT THE LOCAL GAS COMPANY OR GAS SUPPLIER FOR SERVICE.

FOR YOUR SAFETY

DO NOT STORE OR USE GASOLINE OR OTHER FLAMMABLE VAPORS OR LIQUIDS IN THE VICINITY OF THIS OR ANY OTHER APPLIANCE.

 WARNING Improper installation, adjustment, alteration, service or maintenance can cause property damage, injury, or death. Read the installation, operating and maintenance instructions thoroughly before installing or servicing this equipment.

IN THE EVENT OF A POWER FAILURE, DO NOT ATTEMPT TO OPERATE THIS DEVICE.

INSTALLATION, OPERATION AND CARE OF HEAVY DUTY GAS GRIDDLES

GENERAL

Heavy Duty Gas Griddles are produced with quality workmanship and materials. Proper installation, usage and maintenance of your griddle will result in many years of satisfactory performance.

Thoroughly read this entire manual and carefully follow all of the instructions provided

Model	Number of Burners	BTU/hr Input Rating
24RRG	2	55,000
36RRG	3	82,500
48RRG	4	110,000
60RRG	5	137,500

INSTALLATION

Before installing, verify that the type of gas supply (natural gas or propane) agree with the specifications on the rating plate located inside the griddle front panel. If the supply and equipment requirements do not agree, do not proceed with the installation. Contact your dealer immediately.

UNPACKING

This griddle was inspected before leaving the factory. The transportation company assumes full responsibility for safe delivery upon acceptance of shipment. Check for possible shipping damage immediately after unpacking. If the griddle is found to be damaged, save the packaging material and contact the carrier within 15 days of delivery.

Carefully unpack your griddle and make sure that no parts are discarded with packaging material. A pressure regulator designed to operate with the griddle has been supplied and must be installed before the griddle is placed into service (Refer to GAS PRESSURE REGULATOR INSTALLATION in this manual).

LOCATION

The installation location must be kept free and clear of combustibles. When installing, never enclose the bottom of the griddle with a raised curb or other constructions that would obstruct flow of air into or out of the griddle. Adequate clearance for air openings into the combustion chamber must be provided. Make sure there is an adequate supply of air in the room to replace air taken out by the ventilation system.

Do not permit air to blow directly at the griddle. Avoid open windows next to the griddle wherever possible. Avoid wall-type fans which create air cross-currents within the room.

This griddle is Design Certified for installation on a non-combustible counter with 4” legs, or combustible floor with 25” high stand.

INSTALLATION CLEARANCES

	COMBUSTIBLE CONSTRUCTION	NON-COMBUSTIBLE CONSTRUCTION
Back:	6”	0”
Right	6”	0”
Left Side	6”	0”

INSTALLATION CODES AND STANDARDS

The griddle must be installed in accordance with:

In the United States of America:

1. State and local codes.
2. National Fuel Gas Code, ANSI-Z223.1/NFPA #54 (latest edition). This shall include but not be limited to: NFPA #54 Section 10.3.5.2 for Venting. Copies may be obtained from The American Gas Association Accredited Standards Committee Z223, @ 400 N. Capital St. NW, Washington, DC 20001 or the Secretary Standards Council, NFPA, 1 Batterymarch Park Quincy, MA 02169-7471

NOTE: In the Commonwealth of Massachusetts

All gas appliances vented through a ventilation hood or exhaust system equipped with a damper or with a power means of exhaust shall comply with 248 CMR.

3. NFPA Standard # 96 *Vapor Removal from Cooking Equipment*, latest edition, available from the National Fire Protection Association, Batterymarch Park, Quincy, MA 02269.

In Canada:

1. Local codes.
2. CAN/CSA-B149.1 Natural Gas Installation (latest edition)
3. CAN/CSA-B149.2 Propane Installation Code (latest edition), available from the Canadian Gas Association, 178 Rexdale Blvd., Etobicoke, Ontario, Canada M9W 1R3

GRIDDLES MOUNTED ON STANDS WITH CASTERS

NOTICE Griddles mounted on stands with casters must use a flexible connector (not supplied) that complies with the Standard for Connectors for Movable Gas Appliances ANSI Z21.69•CSA6.16, and a quick-disconnect device that complies with Gas Fuel, ANSI Z21.3•CSA6.9. In addition, adequate means must be provided to limit movement of the appliance without depending on the connector and the quick-disconnect device (or its associated piping) to limit appliance movement. Attach the restraining device at the rear of the griddle as shown in Fig. 3.

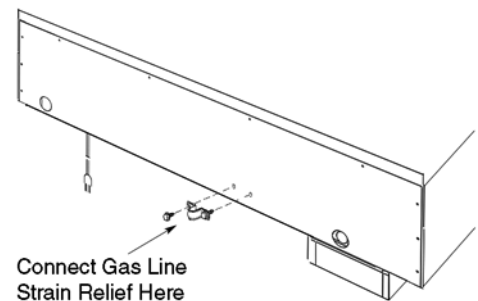


Fig. 3.

If disconnection of the restraint is necessary, turn off the gas supply before disconnecting. Reconnect the restraint prior to turning the gas supply on and returning the griddle to its installation position.

Casters are only supplied on a griddle stand. If the griddle is moved for any reason the griddle should be re-leveled (see LEVELING in this manual).

FLUE CONNECTIONS

Do not obstruct the flow of flue gases from the flue, located at the rear of the griddle. It is recommended that flue gases be ventilated to the outside of the building through a ventilation system installed by qualified personnel.

From the termination of the flue to the filters of the hood venting system, a minimum clearance of 18" must be maintained.

Information on the construction and installation of ventilating hoods may be obtained from the standard for "Vapor Removal from Cooking Equipment", NFPA No. 96 (latest edition), available from the National Fire Protection Association, Batterymarch Park, Quincy, MA 02269.

STANDS

The griddle has an optional 25" high by 30" deep by 24", 36", 48" or 60" wide stainless steel stand with casters. The two front casters lock. The stand includes a top shelf with marine edges style lip and a lower shelf.

GAS CONNECTIONS

NOTICE Gas supply connections and any pipe joint compound must be resistant to the action of propane gases.

Use a ¾" NPT gas supply line for the griddle inlet, located at the rear of the griddle. All of flexible and semi-rigid gas supply lines must comply with the applicable ANSI standard. To ensure maximum operating efficiency this appliance must be connected with a gas supply line of solid pipe or a commercial type Flexible Connector with the net inside diameter (I.D.) as large as or larger than the gas pipe inlet on this appliance. Codes require that a gas shutoff valve must be installed in the gas line upstream of the griddle.

▲ WARNING Prior to lighting, check all joints in the gas supply line for leaks. Use soap and water solution. Do not use an open flame.

After checking for leaks all lines receiving gas should be fully purged to remove air.

TESTING THE GAS SUPPLY SYSTEM

When the gas supply pressure exceeds ½ psig (3.45 kPa), the griddle and its individual shutoff valve must be disconnected from the gas supply piping system.

When the gas supply pressure is ½ psig (3.45 kPa) or less, the griddle should be isolated from the gas supply system by closing its individual manual shutoff valve.

GAS PRESSURE REGULATOR INSTALLATION

Gas regulator pressure is preset at 5" Water Column (W.C.) for natural gas, and 10" W.C. for propane gas. No further adjustment should be required.

Install the regulator as close to the griddle on the gas supply line as possible. Make sure that the arrow on the underside of the regulator is oriented in the direction of gas flow to

the griddle (Fig. 1) and the regulator is positioned with the vent plug and adjustment screw upright (Fig. 2).

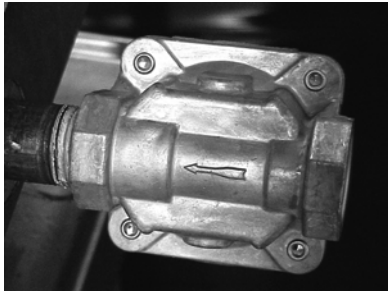


Fig. 1

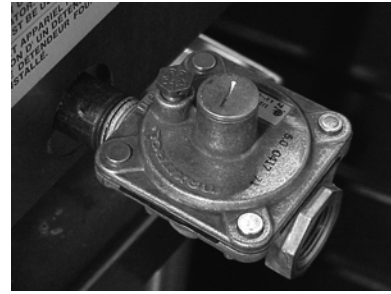


Fig. 2

The supply pressure (upstream of the regulator) should be 7-9" W.C. for natural gas and 11-12" W.C. for propane gas. At no time should the griddle be connected to supply pressure greater than ½ psig (3.45 kPa) or 14" W.C.

ELECTRICAL CONNECTIONS

⚠ WARNING Electrical and grounding connections must comply with the applicable portions of the National Electrical Code and/or other local electrical codes.

⚠ WARNING Disconnect the electrical power to the griddle and follow lockout / tagout procedures.

⚠ WARNING Appliances equipped with a flexible electric supply cord are provided with a three-prong grounding plug. It is imperative that this plug be connected into a properly grounded three-prong receptacle. If the receptacle is not the proper grounding type, contact an electrician. Do not remove the grounding prong from this plug.

Power supply for electric ignition is 120 volts, 1 amp, 50/60 Hertz, 1 phase.

Do not connect the griddle to electrical supply until after gas connections are made.

OPERATION

▲ WARNING The griddle and its parts are hot. Use care when operating, cleaning or servicing the griddle.

▲ WARNING Disconnect power supply before cleaning and servicing the appliance.

BEFORE FIRST USE

It is recommended that you clean your VULCAN RRG griddle thoroughly with a mild soap and water. Rinse the griddle surface thoroughly with water and wipe dry with a soft clean cloth.

SEASONING THE GRIDDLE

Before turning the unit ON, apply a high temperature oil— about one ounce per square foot of surface. DO NOT use plain vegetable oil as it is not stabilized for high heat and may cause food stick and result in improperly cooked food. Turn the griddle ON and with a regular wipe cloth; work the oil into the whole griddle surface for two minutes.

After cleaning your griddle with chemicals, you should repeat the seasoning procedure for proper cooking.

DO NOT use hardened steel spatulas. Use mild steel spatulas with rounded corners.

CONTROLS

There is at least one pilot for every two burners. The 36" and 60" models have an odd number of main burners, therefore one of the sets of pilots and one of the electronic safety-ignition modules in these models will control only one main burner. The pilot burners are aligned with pilot sight holes. The pilot burners are inset 12" from the front panel.

This model features an electronic safety-ignition system that is controlled by the power switch. Turning the power switch ON is all that is required to put the unit into service. The power switch turns the pilot valve, the temperature controllers, the indicator lamps and the electronic safety-ignition modules. When the unit turned ON, electronic safety-ignition modules start generating sparks until the detection of a proven flame at the pilot burner. Upon the flame rectification, electronic safety-ignition module energizes the solenoid gas valve(s) for that specific zone(s).

The pilots are monitored by flame detection through igniters. If the pilot goes out, the igniter will immediately reignite the pilot. If the pilot does not achieve reignition in a short period of time, the electronic safety-ignition module will shut-off the gas supply to the main burners and keeps generating sparks at the pilot burner.

Each 12" section of the griddle is independently controlled by a solid state temperature controller and an embedded thermocouple. The temperature controllers have an operating range of 150 to 450 degrees.

USING THE GRIDDLE

To preheat, set the temperature controllers for the desired temperatures and turn on the power switch 10-12 minutes before cooking.

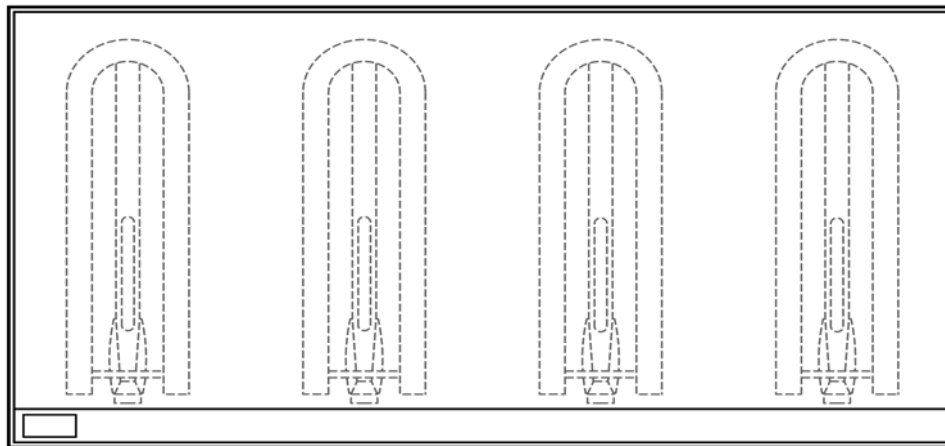
A uniform and systematic approach to loading the griddle will produce the most consistent product results.

The griddle plate is a composite material which is engineered to provide a high heat transfer rate to the food. The top surface is stainless steel and can be scored or dented by careless use of a spatula or scraper. Be careful not to dent, scratch, or gouge the plate surface. Do not try to knock off loose food that may be on the spatula by tapping the corner or the edge of the spatula on the griddle surface.

ZONE COOKING

This griddle features a tubular U-shaped burner in 12" sections, each controlled by independent temperature controllers. Each 12" section is a separate cooking zone, and allows cooking a wide variety of products over a single griddle plate. The chart below is a suggested usage of zone cooking.

When zone cooking, it is suggested that you start with your lowest temperature setting at either side of the griddle, increasing the zone temperature as you move up the zone line. These zone cooking guidelines will vary depending on product temperatures, size and shape. This guide should be adjusted to suit your product and operational cooking preference.



ZONE 1 (300°F)	ZONE 2 (350°F)	ZONE 3 (350°F)	ZONE 4 (400°F)
PRODUCT Sausage Eggs (Hard Fried) Eggs (Scrambled) Burger (Well Done) Steak (Well Done) Chicken Breast Frozen Foods Pork Chops	PRODUCT Pancakes French Toast Bacon Eggs (Sunny Side Up) Boiled Ham Steak (Medium Well) Fresh Burger (Medium Well) Small Frozen Burger (Medium Well)	PRODUCT Omelet Hash Browns Canadian Bacon	PRODUCT Steak (Rare) Stir Fry Vegetables Salmon Fish Cakes Lobster Scampi

CLEANING THE GRIDDLE

Empty the grease drawer as needed throughout the day and regularly clean at least once daily.

Clean the griddle regularly. A clean griddle always looks better, lasts longer and performs better. To produce evenly cooked, perfectly browned griddle products keep the griddle plate clean and free of carbonized grease. Carbonized grease on the surface hinders the transfer of heat from the griddle surface to the food, resulting in spotty browning and loss of cooking efficiency. Carbonized grease tends to cling to griddle foods, giving them a highly unsatisfactory and unappetizing appearance.

To keep the griddle clean and operating at peak efficiency, follow these procedures:

AFTER EACH USE

Clean the griddle with Nemco Easy Grill Scraper™ or similar type of scraper during the work shift.

ONCE PER DAY

Thoroughly clean the griddle back splash, sides and front. Turn the griddle off and allow it to cool down between 275°F-300°F, apply some water and clean it with a heavy scraper. Remove, empty and wash the grease drawer in the same manner as an ordinary cooking utensil.

ONCE PER WEEK

Clean the griddle surface thoroughly with water, Scotch-Brite™ Quick Clean Griddle System or Ecolab Grease Express High-Temp Grill Cleaner.

After removal of detergent the surface of the plate the griddle should be seasoned according to the instructions in this manual.

Clean stainless steel surfaces with a damp cloth and polish with a soft dry cloth. To remove discoloration, use a griddle cleaner.

If the griddle usage is very high, consider conducting this weekly cleaning procedure more than once per week.

DO NOT use a brick or griddle stone for cleaning.

DO NOT use water-jet to clean the griddle.

DO NOT use chlorine sanitizer in contact with griddle. Contact can cause discoloration, corrosion and permanent damage.

DO NOT use cleaning agents including Sodium Hydroxide, which is common in household oven cleaners.

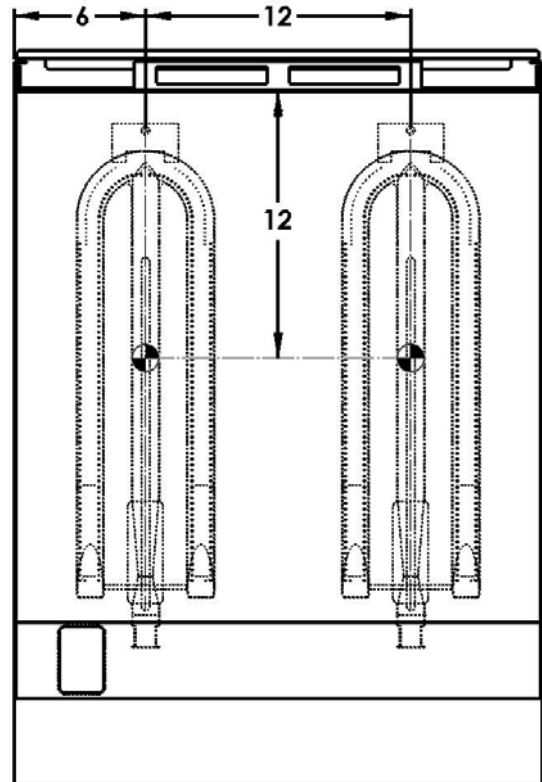
ADJUSTMENTS

CALIBRATION

1. Each temperature controller controls a 12" zone of the griddle. Using a Surface Probe temperature measurement device, observe the temperatures at the center points of the cooking zones. These points are located by starting 6" from the side splash (left or right) and every 12" across the width of the griddle, with all points located 12" back from the front edge of the griddle plate.

NOTE: Use of infrared thermometers is not recommended. These devices are highly sensitive to surface color (clean or dirty), angle of reading and distance from the unit.

2. Set thermostats to 350°F and allow to stabilize, allowing the indicator light to cycle ON and OFF at least two times.
3. Watch for indicator light to cycle OFF, then measure the temperature for that zone. The temperature should be 350°F ±5°F. If not, continue to Step 4.



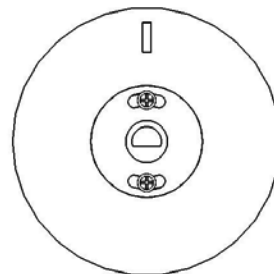
4.
 - a. Decide on the temperature adjustment needed for the temperature controller. DO NOT allow the knob to turn. Carefully remove the knob from the temperature controller shaft.
 - b. Loosen screws on the back of knob and turn the transparent ring around the black knob to the desired position. Knob will have to be placed back on the shaft to verify adjustment.

IMPORTANT: NEVER ADJUST THE SCREW ON THE BACK SIDE OF THE TEMPERATURE CONTROLLER. This will ruin the factory calibration; the temperature controller will no longer operate properly and will need to be replaced.

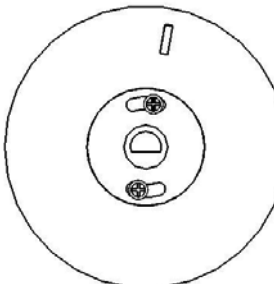
5. Once calibration is achieved, tighten the knob screws.



Step 4a. Set knob & check Temperature. Remove knob



Step 4b. – Adjust the position of outer knob ring relative to black knob body & verify temperature setting



Step 4c. –Replace knob and verify the reading. Carefully remove the knob & tighten screws

LEVELING

The griddle must be level (side-to-side and front-to-back) during operation to ensure proper performance. Improper leveling can result in uneven temperature distribution, cold spots, and possibly damage electrical components.

1. Place a level on the griddle.
2. Adjust legs by turning the bullet feet at the bottom of each leg. Using pliers or a crescent wrench, turn the feet counter-clockwise to increase height, and clockwise to decrease height until leveling is achieved. Do not extend the legs more than 1- $\frac{3}{4}$ ".

PILOT ADJUSTMENT

Using a flathead screwdriver, turn the slotted hex-head pilot adjustment screw clockwise to decrease the flame, and counterclockwise to increase the flame. Pilot adjustments should only be performed by Service Personnel.

SHUTDOWN OF GRIDDLE WITH ELECTRIC IGNITION SYSTEM

1. Push the power switches to OFF. This will shut down the griddle completely.

EXTENDED SHUTDOWN

1. Shut off the main gas supply valve.
2. Unplug the griddle electrical supply cord.
3. Apply a heavy coat of vegetable oil over the griddle plate to inhibit rust.

MAINTENANCE

⚠ WARNING The griddle and its parts are hot. Use care when operating, cleaning or servicing the griddle.

LUBRICATION

There are no parts on this unit that require lubrication.

VENT

Daily, when the griddle is cool, check the flue and clear any obstructions.

SERVICE AND PARTS INFORMATION

Contact the Service Agency in your area to obtain service and parts information. For a complete listing of Service and Parts depots refer to or www.vulcanhart.com.

When calling for service the following information should be available from the appliance serial plate: Model Number, Serial Number and Gas Type.

ACCESSORIES

STANDS

The griddle has an optional 24" high by 30" deep by 24", 36", 48" or 60" wide stainless steel stand with casters or flanged legs. The front casters lock, and flanged legs may be bolted to the floor. The stand includes a top shelf with marine edges style lip and a lower shelf. When mounted on a stand with standard legs and properly leveled, the griddle plate cooking surface should approximately 36" from the floor.

CUTTING BOARDS & TOWEL BARS

Refer to the installation instructions provided with the cutting board or towel bar kit.

TROUBLESHOOTING

PROBLEM	POSSIBLE CAUSES
Heat does not come on when the temperature controller is turned on	<ol style="list-style-type: none"> 1. Problem with temperature controllers. (Call for service) 2. Problem with safety-ignition module. (Call for service) 3. Problem with burner solenoid valves. (Call for service) 4. Problem with thermocouple. (Call for service) 5. Pilot burner not lit. (Call for service)
Pilot burner will not light	<ol style="list-style-type: none"> 1. Obstructed pilot orifice. (Call for service) 2. Problem with safety-ignition module. (Call for service) 3. Problem with pilot safety valve. (Call for service) 4. ON/OFF switch not in the ON position
Pilot burner will not stay lit	<ol style="list-style-type: none"> 1. Low gas pressure - problem with regulator or system gas pressure. (Verify or Call for Service) 2. Obstructed or wrong size pilot orifice. (Call for service) 3. Gas supply not purged of air. (Call for service) 4. Air blowing pilot out. (Call for service) 5. Problem with pilot safety valve. (Call for service)
Fat appears to smoke excessively	<ol style="list-style-type: none"> 1. Temperature set too high. 2. Moisture in food may be turning into steam
Food sticks to griddle or burned around edges or contains dark specs	<ol style="list-style-type: none"> 1. Temperature set too high. 2. Griddle surface requires cleaning and/or seasoning. 3. Surface under food not covered with enough cooking oil.
Food under-cooked inside	<ol style="list-style-type: none"> 1. Temperature set too low. 2. Food not cooked for long enough time.
Food tastes greasy or has objectionable off-flavor	<ol style="list-style-type: none"> 1. Food itself may have off-flavor. 2. Food stored improperly before cooking. 3. Too much griddle fat used. 4. Temperature set too low.
Noticeable build-up of gum on griddle	<ol style="list-style-type: none"> 1. Temperature set too high. 2. Griddle surface needs cleaning and/or seasoning. 3. Too much griddle fat used.

MODE D'INSTALLATION ET MODE D'EMPLOI **Plaques à frire au gaz à service intense RRG**

Groupe *ITW* Équipement alimentaire

VULCAN

MODEL	MLS
24RRG	ML-135339-00024
36RRG	ML-135340-00036
48RRG	ML-135341-00048
60RRG	ML-135342-00060

www.vulcanhart.com



36RRG

MESURES DE SÉCURITÉ IMPORTANTES

CE MANUEL A ÉTÉ PRÉPARÉ À L'INTENTION D'UN PERSONNEL QUALIFIÉ ET AUTORISÉ À INSTALLER DES APPAREILS FONCTIONNANT AU GAZ ET À EFFECTUER LE DÉMARRAGE INITIAL CHEZ LE CLIENT DE MÊME QUE LE RÉGLAGE DES APPAREILS CONCERNÉS DANS CE MANUEL.

AFFICHER À UN ENDROIT VISIBLE LES PREMIERS SOINS À ADMINISTRER À TOUTE PERSONNE AYANT RESPIRÉ LES GAZ QUE CET APPAREIL DÉGAGE. ON PEUT SE PROCURER CES INFORMATIONS CHEZ LE FOURNISSEUR DE GAZ LE PLUS PRÈS.

IMPORTANT

EN CAS D'ODEURS DE GAZ, ÉTEINDRE L'APPAREIL PAR LE ROBINET D'ARRÊT PRINCIPAL ET COMMUNIQUER AVEC LA COMPAGNIE DE GAZ LA PLUS PRÈS OU AVEC LE FOURNISSEUR DE GAZ ATTITRÉ POUR L'ENTRETIEN.

MESURE DE SÉCURITÉ

NE PAS RANGER NI UTILISER DE L'ESSENCE NI TOUT AUTRE LIQUIDE OU VAPEUR INFLAMMABLE À PROXIMITÉ DE CET APPAREIL OU DE TOUT AUTRE APPAREIL.

AVERTISSEMENT

L'installation, le réglage, la modification et l'entretien incorrects de cet appareil peuvent causer des dommages matériels, des blessures et même la mort. Lire les instructions d'installation, de fonctionnement et d'entretien avant de procéder à toute installation ou tout entretien.

EN CAS DE PANNE DE COURANT, NE PAS FAIRE FONCTIONNER CET APPAREIL.

INSTALLATION, FONCTIONNEMENT ET ENTRETIEN PLAQUES À FRIRE AU GAZ À SERVICE INTENSE

GÉNÉRALITÉS

Les plaques à frire au gaz à service intense sont fabriquées avec le plus grand soin et à partir des meilleurs matériaux. Leur installation, utilisation et entretien appropriés permettent d'en obtenir un rendement optimal pendant de nombreuses années. Il est recommandé de lire le manuel au complet et de suivre attentivement toutes les instructions.

Modèle	Nombre de brûleurs	Débit BTU/h
24RRG	2	55 000
36RRG	3	82 500
48RRG	4	110 000
60RRG	5	137 500

INSTALLATION

Avant d'installer cet appareil, s'assurer que l'alimentation électrique et le type de gaz (naturel ou propane) de l'immeuble correspondent aux spécifications de la plaque signalétique placée à l'intérieur du panneau avant. S'ils ne correspondent pas, ne pas installer l'appareil et communiquer sans tarder avec votre détaillant.

DÉBALLAGE

Avant de quitter l'usine, cet appareil a été inspecté soigneusement. Le transporteur est entièrement responsable de la marchandise jusqu'à la livraison. Immédiatement après avoir déballé l'appareil, vérifier s'il n'a pas été endommagé lors du transport. En cas de dommages, conserver le matériel d'emballage et aviser le transporteur dans les 15 jours suivant la date de réception.

Déballer l'appareil avec soin. S'assurer qu'aucune pièce n'est jetée avec le matériel d'emballage. Un régulateur de pression conçu pour fonctionner avec cette plaque à frire est fourni et doit être installé avant que la plaque à frire ne soit en état de fonctionner. (Se référer à la section **PRESSION DU GAZ ET INSTALLATION D'UN RÉGULATEUR** de ce manuel.)

EMPLACEMENT

Aucune substance combustible ne doit se trouver à proximité de cet appareil. Lors de l'installation, ne jamais enfermer la partie inférieure de l'appareil dans un muret élevé ou autre construction qui pourraient obstruer le débit d'air à l'intérieur et à l'extérieur de la plaque à frire. Prévoir un dégagement suffisant pour l'ouverture d'approvisionnement d'air dans la chambre de combustion. S'assurer qu'il y a un débit d'air suffisant dans la chambre pour remplacer l'air évacué par le système de ventilation.

Veiller à ce que les ventilateurs ne soufflent pas directement sur la plaque à frire et, dans la mesure du possible, ne pas ouvrir les fenêtres à proximité de l'appareil ni utiliser des ventilateurs muraux qui produisent des courants d'air.

Cette plaque à frire a été conçue en fonction d'une installation sur un comptoir incombustible muni de pattes de 102 mm (4 po) ou sur un plancher combustible muni d'un support de 635 mm (25 po) de hauteur.

DÉGAGEMENT REQUIS POUR L'INSTALLATION

	CONSTRUCTION COMBUSTIBLE	CONSTRUCTION INCOMBUSTIBLE
Arrière :	152 mm (6 po)	Aucun
Côté droit :	152 mm (6 po)	Aucun
Côté gauche :	152 mm (6 po)	Aucun

CODES D'INSTALLATION ET NORMES

Installer la plaque à frire selon les codes suivants :

Aux États-Unis :

1. Codes locaux.
2. Norme ANSI/Z223.1 /NFPA N° 54 (dernière édition) du National Fuel Gas Code. Ceci devra inclure mais ne pas se limiter à la norme NFPA N° 54 pour la ventilation, section 10.3.5.2, dont on peut se procurer un exemplaire auprès de l'American Gas Association Accredited Standards Committee Z223, 400 N. Capital St. NW, Washington, DC 20001, ou the Secretary Standards Council, NFPA, 1 Batterymarch Park, Quincy, MA 02169-7471.

NOTA : Dans l'État du Massachusetts

Tous les appareils au gaz ventilés par une hotte de ventilation ou un système d'évacuation muni d'un registre ou de moyens d'évacuation à puissance doivent être conformes à la réglementation 248 CMR.

3. Norme NFPA N° 96 pour *l'évacuation de la fumée des appareils de cuisson* (dernière édition) dont on peut se procurer un exemplaire auprès de la National Fire Protection Association, Batterymarch Park, Quincy, MA 02269.

Au Canada :

1. Codes locaux.
2. Norme CAN/CSA B149.1 du Code d'installation des appareils fonctionnant au gaz naturel (dernière édition).
3. Norme CAN/CSA-B149.2 du Code d'installation des appareils fonctionnant au gaz propane (dernière édition) dont on peut se procurer un exemplaire auprès de l'Association canadienne du gaz, 178 Rexdale Blvd, Etobicoke, Ontario, Canada M9W 1R3.

PLAQUE À FRIRE MONTÉ SUR UN SUPPORT MUNI DE ROULETTES

AVIS Si la plaque à frire doit être installée sur des roulettes, se munir d'un connecteur flexible (non fourni) conforme aux normes ANSI-Z21.69 ou CSA 6.16 sur les connecteurs des appareils au gaz mobiles, et d'un raccord à débranchement rapide conforme aux normes ANSI-Z21.3 ou CSA 6.9 sur les dispositifs à débranchement rapide d'appareils au gaz. En plus, prendre les moyens nécessaires pour limiter le mouvement de l'appareil sans devoir compter sur le connecteur ou le raccord à débranchement rapide (ni même sur la tuyauterie) pour le garder immobile. Fixer le dispositif de retenue à l'arrière de la plaque à frire, tel qu'illustré à la Fig. 3).

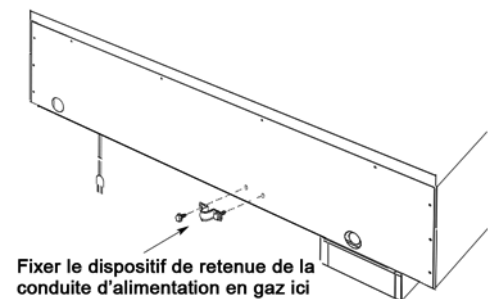


Fig. 3

Si le débranchement du dispositif de retenue est nécessaire, éteindre l'alimentation en gaz avant le débranchement. Rattacher le dispositif de retenue avant de rétablir l'alimentation en gaz et de remettre l'appareil à la position d'installation.

Les roulettes sont fournies seulement sur le support de la plaque à frire. Si l'appareil est installé sur des roulettes et doit être déplacé pour une raison ou une autre, il est conseillé de le niveler à nouveau (se référer à la section NIVELAGE de ce manuel).

SYSTÈME D'ÉVACUATION

NE PAS obstruer le débit des gaz brûlés du conduit d'évacuation à l'arrière de l'appareil. On recommande l'évacuation des gaz brûlés à l'extérieur de l'immeuble au moyen d'une hotte de ventilation installée par un personnel qualifié.

Maintenir un dégagement minimal de 457 mm (18 po) entre le conduit d'évacuation de l'appareil et les filtres de la hotte.

Pour toute information sur la construction et l'installation des hottes de ventilation, voir la norme NFPA N° 96 (dernière édition) sur l'évacuation de la fumée des appareils de cuisson dont on peut se procurer un exemplaire auprès de la National Fire Protection Association, Batterymarch Park, Quincy, MA 02269.

SUPPORTS

La plaque à frire est munie d'un support avec roulettes en inox de 635 mm (25 po) de hauteur par 762 (30 po) de profondeur par 610, 914, 1 219 ou 1 524 mm (24, 36, 48 ou 60 po) de largeur en option. Les deux roulettes avant sont verrouillables. Le support inclut une tablette supérieure à rebord marin de type lèvres et une tablette inférieure.

BRANCHEMENT DU GAZ

AVIS Tous les raccords d'alimentation de la conduite de gaz et la pâte à joints de tuyaux doivent résister à l'action du gaz propane.

Pour l'entrée de la plaque à frire, utiliser une conduite d'alimentation en gaz de 19 mm (3/4 po) NPT qui se trouve à l'arrière de l'appareil. Tous les raccordements de type flexible et semi-rigide doivent être conformes aux normes ANSI en vigueur. Pour s'assurer d'une efficacité d'exploitation maximale, raccorder cet appareil avec une conduite d'alimentation en gaz fabriqué à l'aide d'un tuyau solide ou d'un raccord souple de type commercial dont le diamètre intérieur net est aussi grand ou plus grand que l'entrée de canalisation de gaz de cet appareil. Conformément aux exigences des codes, installer un robinet d'arrêt dans la conduite de gaz, en amont de l'appareil.

▲ AVERTISSEMENT Avant de procéder à l'allumage, faire circuler de l'eau savonneuse dans tous les joints de la conduite de gaz pour s'assurer qu'ils ne présentent aucune fuite. Ne pas se servir d'une flamme nue.

Après avoir enrayé toute possibilité de fuite, purger la conduite de gaz pour évacuer tout l'air qu'elle contient.

ESSAIS DE LA CANALISATION DE GAZ

Si la pression de la canalisation de gaz est supérieure à 3,45 kPa (1/2 psig) lors d'essais de pression, débrancher la plaque à frire et son robinet d'arrêt de la conduite de gaz.

Lorsque la pression est égale ou inférieure à 3,45 kPa (1/2 psig), isoler l'appareil de la canalisation de gaz en fermant le robinet manuel.

PRESSIION DU GAZ ET INSTALLATION D'UN RÉGULATEUR

La pression du régulateur de gaz est réglée en usine à une pression de 1,24 kPa (5 po de colonne d'eau) pour le gaz naturel et de 2,49 kPa (10 po de colonne d'eau) pour le gaz propane. Aucun autre réglage n'est requis.

Installer le régulateur aussi près que possible de la plaque à frire, sur la conduite de gaz. S'assurer que la flèche sur la face intérieure du régulateur pointe vers le débit de gaz allant à la plaque à frire (Fig. 1) et que le régulateur est positionné de façon à ce que le bouchon d'aération et la vis de réglage soient dirigés vers le haut droit (Fig. 2).

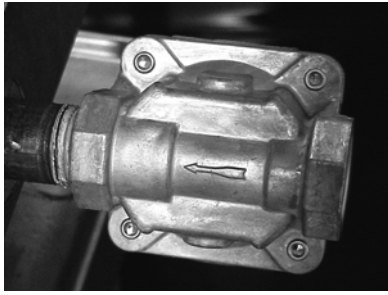


Fig. 1



Fig. 2

La pression d'alimentation (en amont du régulateur) devrait être de 1,74 à 2,24 kPa (7 à 9 po de colonne d'eau) pour le gaz naturel et de 2,74 à 2,99 kPa (11 à 12 po de colonne d'eau) pour le gaz propane. Ne jamais raccorder la plaque à frire à une pression d'alimentation de plus de 3,45 kPa (1/2 psig) ou 3,45 kPa (14 po de colonne d'eau).

RACCORDEMENT ÉLECTRIQUE

▲ AVERTISSEMENT Le raccordement électrique et la mise à la terre doivent être conformes aux normes concernées du code canadien de l'électricité ou de tout autre code d'électricité en vigueur.

▲ AVERTISSEMENT : Couper l'alimentation électrique de l'appareil et suivre les procédures de verrouillage et d'étiquetage.

▲ AVERTISSEMENT : Le cordon d'alimentation est pourvu d'une fiche de mise à la terre à trois broches. La prise dans laquelle elle est branchée doit être correctement mise à la terre. Si elle ne l'est pas, communiquer avec un électricien. Ne pas enlever la broche de mise à la terre de la fiche.

L'alimentation électrique pour l'allumage électrique est de 120 V, 50-60 Hz, monophasée, 1 A.

Ne pas raccorder la plaque à frire à l'alimentation électrique avant que le raccordement du gaz ne soit fait.

FONCTIONNEMENT

▲ AVERTISSEMENT : La plaque à frire et ses composants sont chauds. Exercer une extrême prudence lors de l'exploitation, du nettoyage et de l'entretien de cet appareil.

▲ AVERTISSEMENT : Débrancher l'alimentation électrique avant le nettoyage et l'entretien de cet appareil.

AVANT UNE PREMIÈRE UTILISATION

Il est conseillé de nettoyer à fond la plaque à frire VULCAN RRG dans une eau tiède savonneuse. Rincer la surface avec soin avec de l'eau et essuyer à l'aide d'un chiffon doux.

APPRÊTAGE DE LA PLAQUE À FRIRE

Avant de faire fonctionner l'appareil, appliquer une huile chauffée à haute température - environ 28 g par mètre carré (une once par pied carré). NE PAS utiliser d'huile végétale pure car elle n'est pas stabilisée pour une chaleur élevée et pourrait faire coller les aliments et donner une cuisson non satisfaisante. Mettre la plaque à frire à ON (marche) et, à l'aide d'un chiffon, étendre l'huile sur toute la surface pendant deux minutes.

Après avoir nettoyé votre plaque à frire avec des produits chimiques, l'apprêter à nouveau pour une meilleure cuisson.

NE PAS utiliser de spatules en acier trempé. Utiliser une spatule en acier doux avec des coins arrondis.

COMMANDES

Il y a au moins une veilleuse pour chaque deux brûleurs. Les brûleurs principaux sont en chiffres impairs pour les modèles de 914 et 1 524 mm (36 et 60 po), cependant un des ensembles de veilleuses et un de modules d'allumage de sécurité électroniques de ces modèles commandera seulement un brûleur principal. Les brûleurs de la veilleuse sont alignés avec les trous d'observation de la veilleuse. Les brûleurs de la veilleuse sont insérés à 305 mm (12 po) du panneau avant.

Ce modèle est muni d'un système d'allumage de sécurité électronique commandé par un interrupteur d'alimentation. Tout ce qu'il suffit de faire, c'est de mettre l'interrupteur d'alimentation à la position ON (marche) pour faire fonctionner l'appareil. L'interrupteur d'alimentation allume la soupape de la veilleuse, les thermostats, les voyants lumineux et les modules d'allumage de sécurité électroniques. Lorsque l'appareil est à la position ON (marche), les modules d'allumage de sécurité électroniques commencent à générer des étincelles jusqu'à l'apparition d'une flamme apparente au brûleur de la veilleuse. Lors d'une rectification de la flamme, le module d'allumage de sécurité électronique met en fonction les électrovannes au gaz pour ces zones précises.

Les veilleuses sont contrôlées par la détection de flamme à travers les allumeurs. Si la veilleuse s'éteint, l'allumeur va immédiatement rallumer la veilleuse. Si la veilleuse ne réussit pas à rallumer les brûleurs dans un court délai, le module d'allumage de sécurité électronique fermera l'alimentation en gaz de la veilleuse aux brûleurs principaux et continuera à générer des étincelles au brûleur de la veilleuse.

Chaque section de 305 mm (12 po) de la plaque à frire est contrôlée de façon indépendante par un thermostat à semi-conducteur et un thermocouple enchâssé. Les thermostats possèdent une plage de fonctionnement de 66 à 232 degrés °C (150 à 450 °F)

UTILISATION DE LA PLAQUE À FRIRE

Pour le préchauffage de la plaque, régler les thermostats à la température désirée et allumer l'interrupteur d'alimentation de 10 à 12 minutes avant la cuisson.

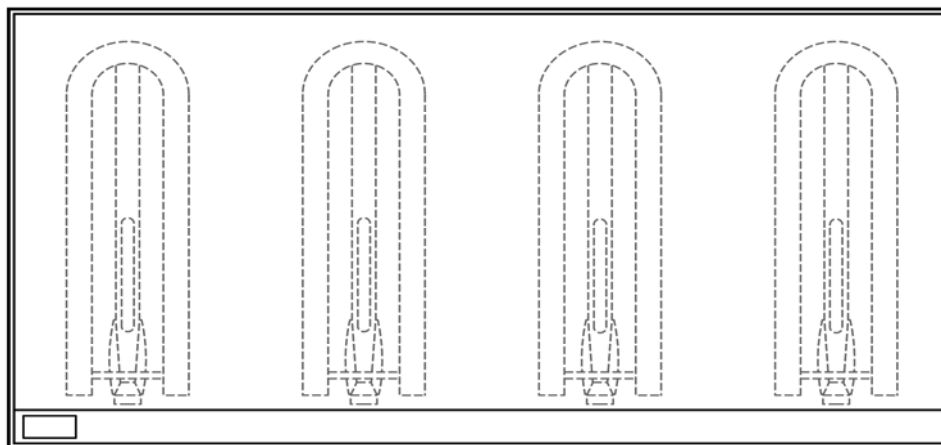
Pour obtenir des résultats des plus constants, il est important de placer les aliments dans la plaque de façon uniforme et systématique.

La plaque à frire est un matériaux composite et a été conçue pour fournir un degré de transfert de chaleur élevé. La plaque à frire est en acier inoxydable, mais la surface est relativement fragile et peut rayer ou bosseler suite à l'utilisation d'une spatule ou d'un racloir d'une manière négligente. Prendre soin de ne pas la bosseler, l'égratigner ni la rayer. Ne pas y cogner les coins ou les rebords d'une spatule pour tenter de déloger les particules d'aliments qui pourraient s'y trouver.

ZONE DE CUISSON

La plaque à frire est équipée d'un brûleur tubulaire profilé en "U" dans des sections de 305 mm (12 po) et dont chacune possède des thermostats indépendants. Chaque section de 305 mm (12 po) est une zone de cuisson indépendante. Ceci permet la cuisson d'une grande variété de produits sur une simple plaque à frire. Le tableau ci-dessous donne une idée de l'usage de la zone de cuisson.

Dans la zone de cuisson, il est conseillé de commencer par le réglage de la plus basse température de chaque côté de la plaque à frire et d'augmenter la zone de température à mesure qu'on approche de la ligne de cuisson. Ce guide de zone de cuisson peut varier selon les températures, la taille et la forme du produit. Vous pouvez régler ce tableau selon vos produits et votre préférence de cuisson.



ZONE 1 149 °C (300 °F)	ZONE 2 177 °C (350 °F)	ZONE 3 177 °C (350 °F)	ZONE 4 204 °C (400 °F)
PRODUIT Saucisses Oeufs frits (durs) Oeufs brouillés Boulettes de viande pour hamburger (bien cuites) Bifteck (bien cuit) Poitrine de poulet Aliments congelés Côtelettes de porc	PRODUIT Crêpes Pain doré Bacon Oeufs (au miroir) Jambon blanc Bifteck (à point) Boulettes de viande fraîches pour hamburger (à point) Petites boulettes de viande congelées pour hamburger (à point)	PRODUIT Omelette Pommes de terre rissolées Bacon de dos	PRODUIT Bifteck (saignant) Légumes sautés à feu vif Saumon Fricadelles de poisson Homard Langoustines

NETTOYAGE DE LA PLAQUE À FRIRE

Vider le tiroir de propreté au besoin durant le jour et régulièrement au moins une fois par jour.

Nettoyer la plaque à frire régulièrement. Une plaque propre a meilleure apparence, dure plus longtemps et donne de meilleurs résultats. Pour obtenir des résultats de cuisson uniformes et des produits parfaitement dorés, garder la plaque propre et exempte de graisse carbonisée. La graisse carbonisée nuit au transfert de la chaleur de la plaque à la surface des aliments, occasionnant leur brunissement partiel et réduisant la qualité de cuisson. Pire encore, elle a tendance à coller aux aliments et leur donne une apparence peu appétissante qui laisse vraiment à désirer.

Pour garder la plaque à frire propre et opérationnelle en période de forte affluence, suivre les directives suivantes :

APRÈS CHAQUE USAGE

Nettoyer la plaque au moyen d'un racloir Nemco Easy Grill Scraper^{MD} ou de type similaire durant les quarts de travail.

UNE FOIS PAR JOUR

Nettoyer à fond le dosseret, les côtés et le devant. Mettre la plaque à frire à OFF (arrêt) et la laisser refroidir entre 93 et 149 °C (275 et 300 °F). Verser un peu d'eau et la nettoyer avec un racloir épais. Enlever le tiroir de propreté, le vider et le nettoyer de la même manière que tout autre ustensile de cuisson.

UNE FOIS PAR SEMAINE

Nettoyer à fond la surface de la plaque à frire avec un peu d'eau, un tampon Scotch Brite^{MD} pour nettoyage rapide de la plaque à frire ou un nettoyant rapide pour graisse chauffée à haute température Ecolab^{MD}.

Après avoir enlevé toute trace de détergent, apprêter la surface de la plaque à frire conformément aux instructions de ce manuel.

Nettoyer les surfaces en acier inoxydable à l'aide d'un chiffon humide et les polir ensuite avec un chiffon doux et sec. Enlever les taches de décoloration au moyen d'un nettoyant à plaque à frire.

Si l'usage de la plaque à frire est très élevé, procéder au nettoyage plus d'une fois par semaine.

NE PAS utiliser une brique ou une pierre à plaque à frire pour le nettoyage.

NE PAS utiliser de jet d'eau pour nettoyer la plaque à frire.

NE PAS utiliser d'agent désinfectant à base de chlore sur la plaque à frire. Ceci peut causer une décoloration, une corrosion et un dommage permanent.

NE PAS utiliser d'agents de nettoyage incluant de l'hydrate de sodium, que l'on retrouve souvent dans les nettoyants à usage domestique.

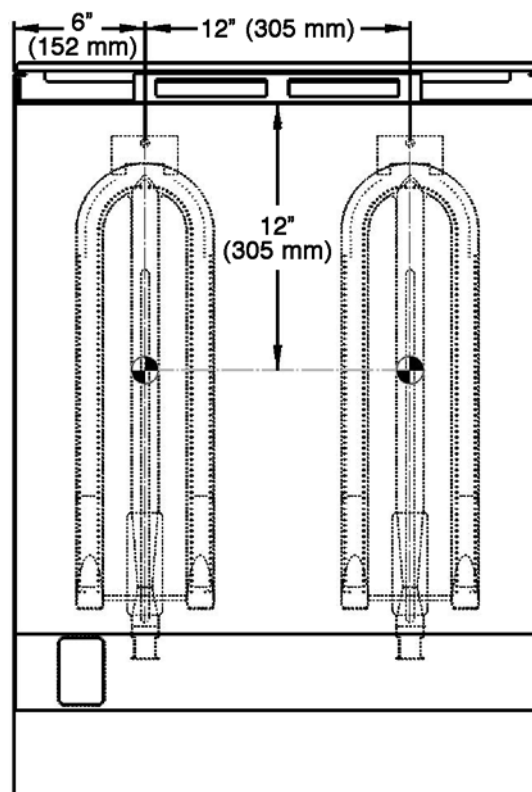
RÉGLAGES

ÉTALONNAGE

6. Chaque thermostat commande une zone de 305 mm (12 po) de la plaque à frire. Utiliser un dispositif de mesurage de la température adéquat pour observer les températures à des points centraux des zones de cuisson. En partant de 152 mm (6 po) d'un côté ou de l'autre de la plaque et à chaque 305 mm (12 po) à travers la largeur de la plaque, on peut retrouver ces points qui sont tous placés à 305 mm (12 po) derrière le rebord avant de la plaque à frire.

NOTA: L'usage de thermomètres à infrarouge n'est pas recommandé. Ceux-ci sont très sensibles à la couleur de la surface (propre ou sale), à l'angle de lecture et à la distance de l'appareil.

7. Régler les thermostats à 177 °C (350 °F) et les laisser se stabiliser. Laisser fonctionner le voyant lumineux en le mettant à ON et OFF (marche et arrêt) au moins deux fois.
8. Surveiller le voyant lumineux jusqu'à ce qu'il indique OFF (arrêt), puis mesurer la température pour cette zone. La température devrait être à 177 °C (350 °F) ± 3 °C (5 °F). Si ce n'est pas le cas, suivre l'étape 4 suivante.



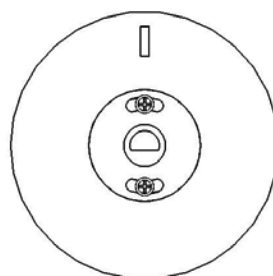
- 9.
- Décider du réglage de la température nécessaire pour le thermostat. **NE PAS** laisser le bouton tourner. Enlever le bouton de l'arbre du thermostat avec soin.
 - Dévisser les vis derrière le bouton et tourner l'anneau transparent autour du bouton noir à la position désirée. Replacer le bouton sur l'arbre pour vérifier le réglage.

IMPORTANT : NE JAMAIS RÉGLER LA VIS DU CÔTÉ ARRIÈRE DU THERMOSTAT. Ceci pourrait détruire l'étalonnage fait à l'usine; le thermostat ne fonctionnera plus correctement et devra être remplacé.

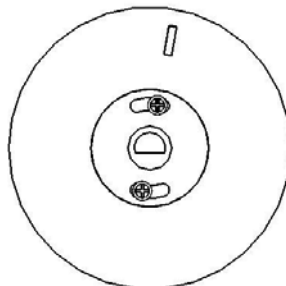
10. Une fois que l'étalonnage est terminé, serrer les vis du bouton.



Étape 4a. - Régler le bouton et vérifier la température. Enlever le bouton.



Étape 4b. - Régler la position de l'anneau extérieur du bouton avec le bouton noir et régler la température.



Étape 4c. - Replacer le bouton et vérifier la lecture. Enlever le bouton avec soin et serrer les vis.

NIVELAGE

Niveler la plaque à frire (d'un côté à l'autre et d'avant en arrière) pour obtenir un meilleur rendement de l'appareil, faute de quoi la distribution de température ne sera pas égale, certains endroits seront plus froids et les composants électriques pourraient possiblement être endommagés.

3. Placer un niveau sur la plaque à frire.
4. Régler les pattes en tournant le pied télescopique au bas de chaque patte. En se servant de pinces multiprises, tourner le pied à l'inverse des aiguilles d'une montre pour augmenter la hauteur ou l'inverse pour la diminuer jusqu'à ce qu'elle soit de niveau. À la position la plus basse, ne pas étirer les pattes de plus de 44 mm (1 3/4 po).

RÉGLAGE DE LA VEILLEUSE

Pour faire baisser la flamme, utiliser un tournevis à tête plate et tourner la vis de réglage de la veilleuse dans le sens des aiguilles d'une montre et l'inverse pour l'augmenter. Les réglages de la veilleuse devraient seulement être effectués par un technicien d'entretien qualifié.

ARRÊT DE LA PLAQUE À FRIRE AVEC UN SYSTÈME D'ALLUMAGE ÉLECTRIQUE

1. Mettre l'interrupteur d'alimentation à OFF (arrêt). Ceci éteindra la plaque à frire complètement.

ARRÊT PROLONGÉ

1. Fermer le robinet de gaz d'alimentation principal.
2. Débrancher le cordon d'alimentation de la plaque à frire.
5. Enduire la plaque à frire d'une couche épaisse d'huile végétale pour prévenir la corrosion.

ENTRETIEN

▲ AVERTISSEMENT : La plaque à frire et ses composants sont chauds. Exercer une extrême prudence lors de l'exploitation, du nettoyage et de l'entretien de cet appareil.

LUBRIFICATION

Aucune pièce de cet appareil ne nécessite de lubrification.

CONDUIT D'ÉVACUATION

À tous les jours, lorsque la plaque à frire est froide, vérifier le conduit d'évacuation pour s'assurer qu'il n'est pas obstrué.

SERVICE DE L'ENTRETIEN ET PIÈCES DE RECHANGE

Pour l'entretien de l'appareil ou pour obtenir des renseignements sur les pièces de rechange, communiquer avec le service de l'entretien le plus près. Pour une liste complète de nos succursales de service de l'entretien, visiter notre site Web à l'adresse : www.vulcanhart.com

Lors d'une demande de service, fournir les renseignements suivants que vous trouverez sur la plaque signalétique de l'appareil : le numéro de modèle, le numéro de série et le type de gaz.

ACCESSOIRES

SUPPORTS

La plaque à frire possède un support en inox en option de 610 mm (24 po) de hauteur par 762 mm (30 po) de profondeur par 610, 914, 1 219 ou 1 524 mm (24, 36, 48, ou 60 po) de largeur muni de roulettes ou de pattes à ailettes. Les roulettes de verrouillage avant et les pattes à ailettes peuvent être vissées au sol. Le support inclut une tablette supérieure munie de rebords marins style lèvre et une tablette inférieure. Lorsque la surface de cuisson est installée sur un support muni de pattes standard et qu'elle est bien de niveau, elle devrait être approximativement à 914 mm (36 po) du plancher.

PLANCHES À DÉCOUPER ET PORTE-SERVIETTES

Se référer aux directives d'installation fournies avec la planche à découper ou la trousse de porte-serviettes.

DÉPANNAGE

PROBLÈME	CAUSES POSSIBLES
Aucune chaleur lorsqu'on ouvre le thermostat	6. Problème de thermostat. (Communiquer avec le service de l'entretien). 7. Problème avec le module d'allumage de sécurité. (Communiquer avec le service de l'entretien). 8. Problème avec les électrovannes du brûleur. (Communiquer avec le service de l'entretien). 9. Problème avec le thermocouple. (Communiquer avec le service de l'entretien). 10. Le brûleur de la veilleuse ne s'allume pas. (Communiquer avec le service de l'entretien).
Le brûleur de la veilleuse ne s'allume pas	5. Orifice de la veilleuse obstrué (Communiquer avec le service de l'entretien). 6. Problème avec le module d'allumage de sécurité. (Communiquer avec le service de l'entretien). 7. Problème avec la soupape de sûreté de la veilleuse. (Communiquer avec le service de l'entretien). 8. L'interrupteur ON/OFF (marche/arrêt) n'est pas à la position ON (marche).
Le brûleur de la veilleuse ne reste pas allumé	6. Pression du gaz basse – problème avec le régulateur ou la pression du gaz. (Vérifier ou communiquer avec le service de l'entretien). 7. Orifice de la veilleuse obstrué ou de mauvaise taille. (Communiquer avec le service de l'entretien). 8. La conduite de gaz n'a pas été purgée pour évacuer l'air. (Communiquer avec le service de l'entretien). 9. La veilleuse s'éteint au contact de l'air. (Communiquer avec le service de l'entretien). 10. Problème avec la soupape de sûreté de la veilleuse. (Communiquer avec le service de l'entretien).
Production excessive de fumée	3. Réglage de la température trop élevé. 4. Teneur en eau des aliments élevée, produisant ainsi de la vapeur.
Les aliments collent à la surface de la plaque ou brûlent sur les bords ou comportent des taches sombres	4. Réglage de la température trop élevé. 5. Nettoyage ou apprêtage de la surface de la plaque requis. 6. Quantité insuffisante d'huile de cuisson sur la plaque.
L'intérieur des aliments n'est pas suffisamment cuit.	3. Réglage de la température trop bas. 4. Cuisson insuffisante des aliments.
Les aliments sont gras ou manquent de saveur	5. Altération de la saveur des aliments. 6. Entreposage inadéquat des aliments avant la cuisson. 7. Utilisation d'une trop grande quantité d'huile de cuisson. 8. Réglage de la température trop bas.
Accumulation visible d'une substance gommeuse à la surface de la plaque.	4. Réglage de la température trop élevé. 5. Nettoyage ou apprêtage de la surface de la plaque requis. 6. Utilisation d'une trop grande quantité d'huile de cuisson.