

# **VULCAN**

## *CATALOG OF REPLACEMENT PARTS*

### *C24EA6 & C24EA10 ELECTRIC STEAMERS*

C24EA6      ML-136058  
C24EA10    ML-136059

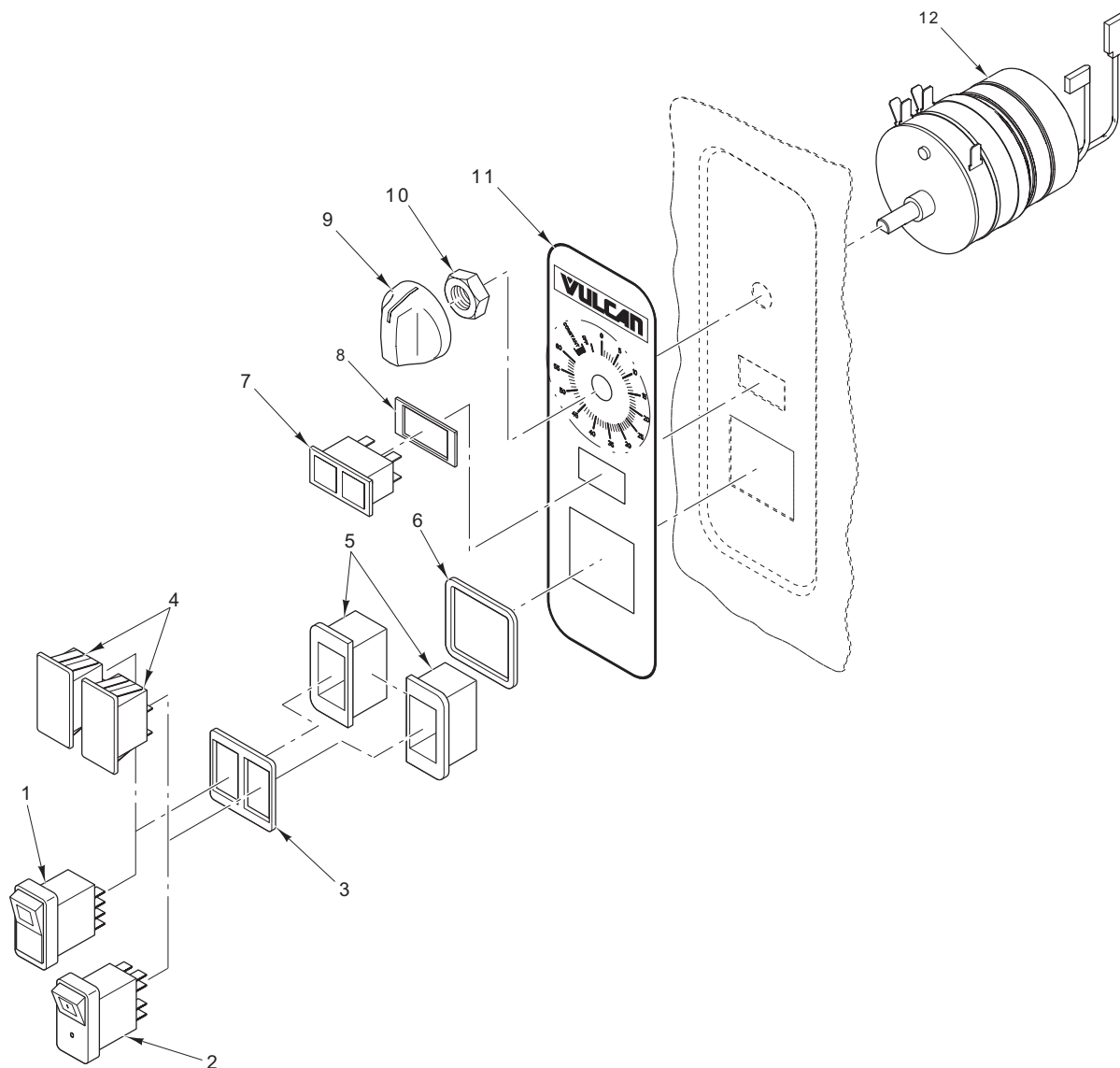


**For additional information on Vulcan-Hart or to locate an authorized parts and service provider in your area, visit our website at [www.vulcanhart.com](http://www.vulcanhart.com).**



### TABLE OF CONTENTS

5	CONTROLS
7	DOOR
9	COMPARTMENT PANELS
11	COMPARTMENT
13	PLUMBING
15	BASE PANELS
17	LOW VOLTAGE ELECTRICAL COMPONENTS
19	HIGH VOLTAGE ELECTRICAL COMPONENTS
21	TANK ASSEMBLY
23	WATER SUPPLY (CLEAR HOSES)
25	DRAIN HOSE ASSEMBLY (GREEN HOSES)
27	HEAT EXCHANGER

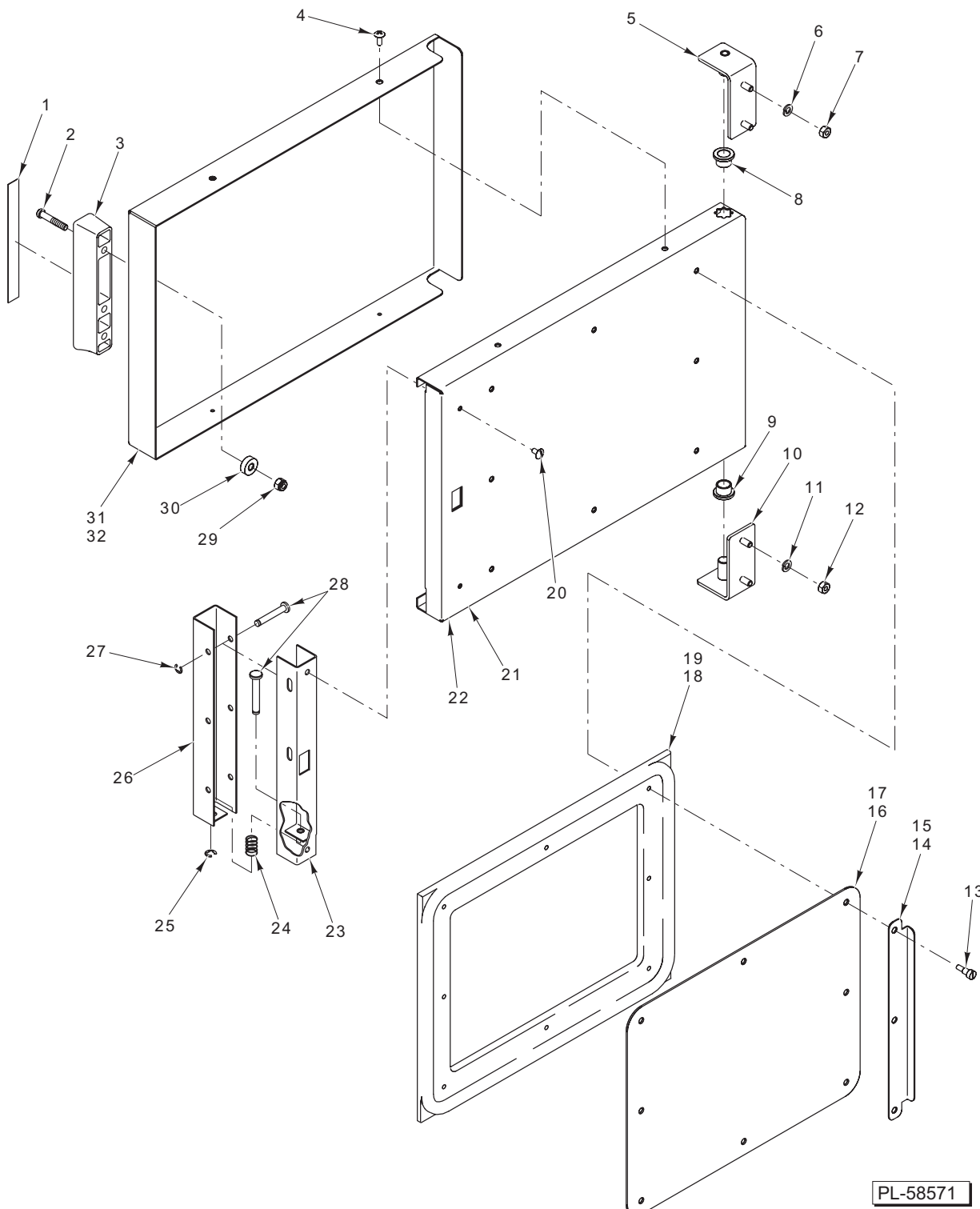


PL-58570

### CONTROLS

### CONTROLS

ILLUS. PL-58570	PART NO.	NAME OF PART	AMT.
1	00-855677-00002	Switch – Delime Lighted (Bottom Compartment Only) .....	1
2	00-855677-00001	Switch – On/Off Lighted (Bottom Compartment Only) .....	1
3	00-855795-00001	Gasket – Switch .....	1
4	00-854330-00001	Plug – Switch Hole (Top Compartment Only) .....	1
5	00-855794-00001	Bezel – Switch .....	2
6	00-855796-00001	Gasket – Bezel .....	1
7	00-855695-00001	Light – Indicating (125 VAC) .....	1
8	00-856678-00001	Gasket – Indicator Light .....	1
9	00-856773-00001	Knob – Timer .....	1
10	00-854693-00001	Shaft – Rotary Seal .....	1
11	00-856771-00001	Overlay – Control .....	1
12	00-856621-00001	Timer – Mechanical .....	1
	00-855797-00004	Switch Assy. (Incls. Items 1, 2, 3, 5, & 6) (Bottom Compartment Only) .....	1
	00-855797-00001	Switch Assy. (Incls. Items 3, 4, 5, & 6) (Top Compartment Only) .....	1

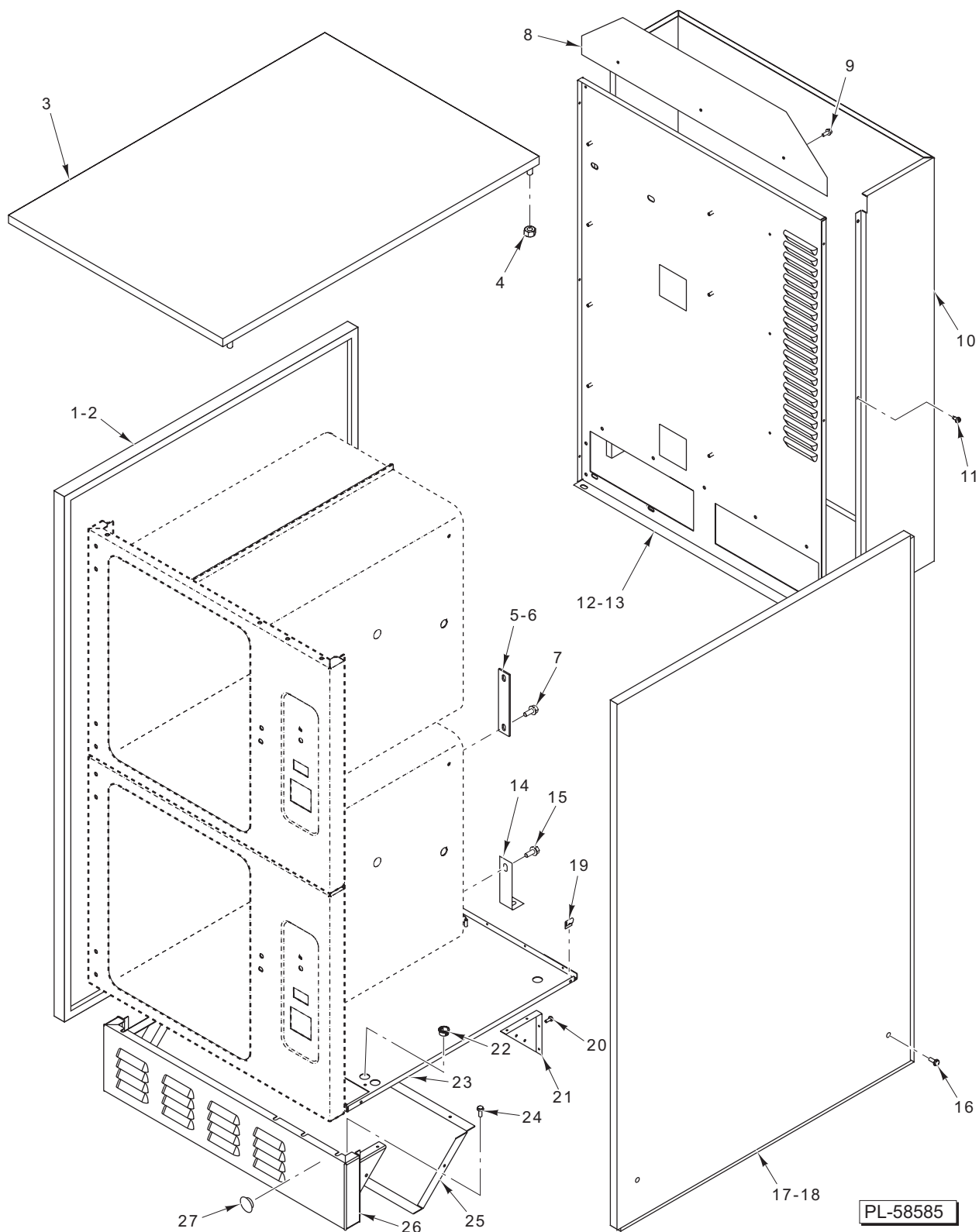


DOOR

PL-58571

## DOOR

ILLUS. PL-58571	PART NO.	NAME OF PART	AMT.
1	00-855288-00001	Face Plate – Door Handle .....	1
2	SC-120-70	Cap Screw 1/4-20 x 1 <sup>5</sup> / <sub>8</sub> Hex Socket Hd.....	2
3	00-855287-00001	Door – Handle.....	1
4	SC-066-20	Mach. Screw 10-32 x 1/2 Phil. Pan Hd.....	4
5	00-855521-00001	Hinge Assy. – Door (Top).....	1
6	WL-006-17	Lockwasher 1/4 Helical.....	2
7	NS-046-38	Nut 1/4-20 Hex (SST).....	2
8	00-817643	Bearing – Flanged .....	1
9	00-817643	Bearing – Flanged .....	1
10	00-855521-00002	Hinge Assy. – Door (Bottom).....	1
11	WL-006-17	Lockwasher 1/4 Helical.....	2
12	NS-046-38	Nut 1/4-20 Hex (SST).....	2
13	00-855597-00002	Screw – Shoulder Slotted .....	3
14	00-855714-00001	Gasket – Door Guard (3-Pan).....	1
15	00-855714-00002	Gasket – Door Guard (5-Pan).....	1
16	00-857085-00001	Gasket Kit – Door (3-Pan) .....	1
17	00-857085-00002	Gasket Kit – Door (5-Pan) .....	1
18	00-855286-00001	Gasket – Cabinet Door (3-Pan) (Incls. Shim Kit).....	1
19	00-855286-00002	Gasket – Cabinet Door (5-Pan) (Incls. Shim Kit).....	1
20	SC-053-05	Mach. Screw 10-24 x 3/8 Slotted Truss Hd.....	2
21	00-855582-00001	Bracket Weldment – Door (3-Pan).....	1
22	00-855582-00002	Bracket Weldment – Door (5-Pan).....	1
23	00-855584-00001	Door Latch – Bracket .....	1
24	00-855298-00001	Latch Spring – Door.....	1
25	RR-006-22	Ring – Retaining (1/4 In.).....	1
26	00-855585-00001	Latch Actuator – Door.....	1
27	RR-006-22	Ring – Retaining (1/4 In.).....	3
28	00-855590-00002	Pin – Clevis 1.525 In. Lg.....	4
29	NS-048-63	Stop Nut 1/4-20 Special.....	2
30	00-855290-00001	Bearing – Door Handle .....	2
31	00-855580-00001	Frame – Door (3-Pan).....	1
32	00-855580-00002	Frame – Door (5-Pan).....	1

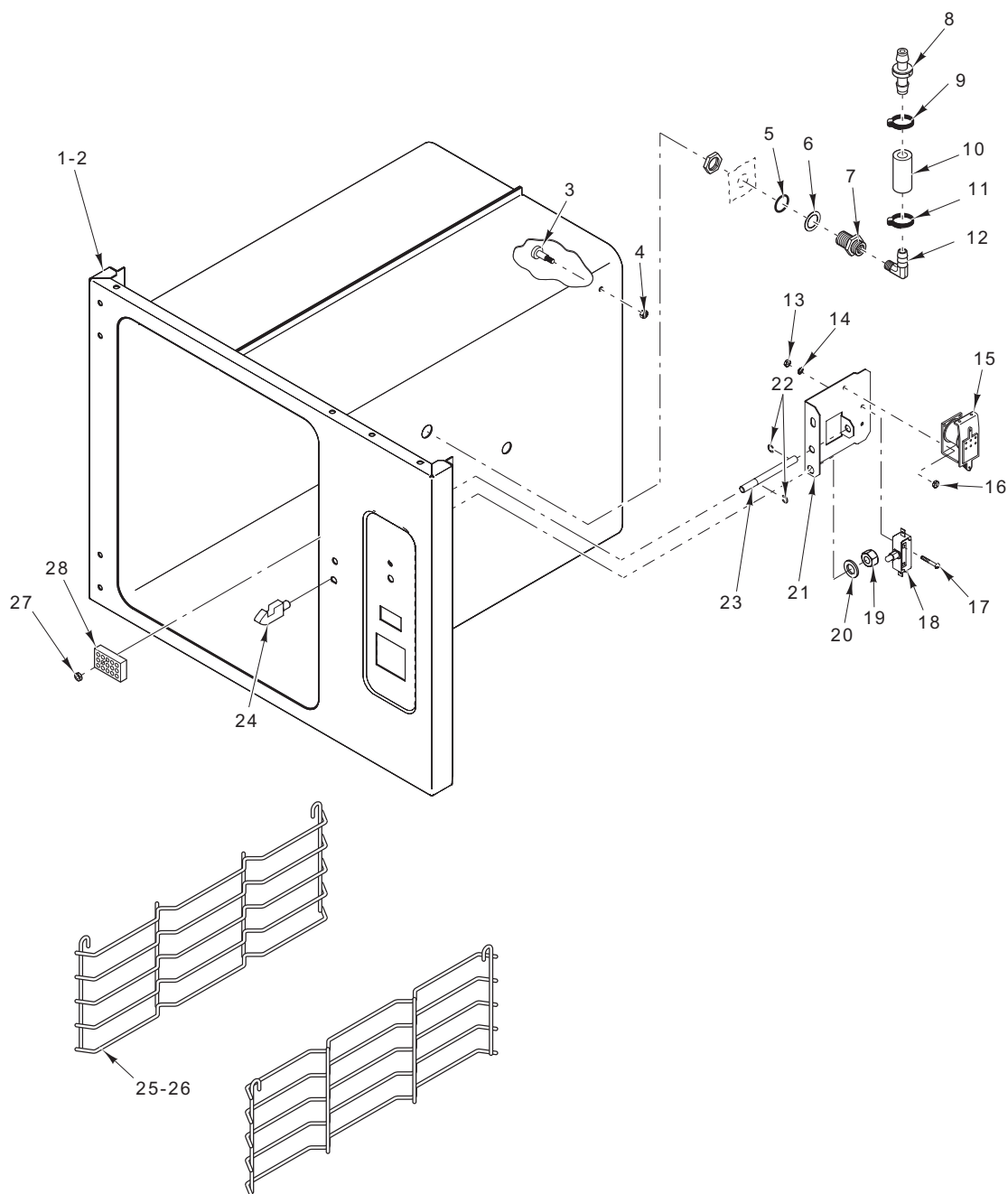


**COMPARTMENT PANELS**



### COMPARTMENT PANELS

ILLUS. PL-58585	PART NO.	NAME OF PART	AMT.
1	00-855321-00001	Panel – Cabinet Base (6-Pan).....	1
2	00-855321-00002	Panel – Cabinet Side (10-Pan).....	1
3	00-855547-00001	Panel – Cabinet Top.....	1
4	NS-038-04	Lock Nut 1/4-20.....	2
5	00-855326-00001	Bracket – Cabinet Compartment Middle.....	2
6	NS-038-04	Lock Nut 1/4-20.....	4
7	SD-036-58	Self-Tapping Screw 10-16 x 1/2 Hex Washer Hd., Type AB.....	4
8	00-856688-00001	Guard – Flue.....	1
9	SD-036-58	Self-Tapping Screw 10-16 x 1/2 Hex Washer Hd., Type AB.....	3
10	00-855318-00001	Panel – Cabinet Flue Cover.....	1
11	SD-036-03	Self-Tapping Screw 8-18 x 3/8 Hex Washer Hd., Type AB.....	6
12	00-855317-00001	Panel – Cabinet Back (6-Pan).....	1
13	00-855461-00001	Panel – Cabinet Back (10-Pan).....	1
14	00-855327-00001	Bracket – Cabinet Compartment Support.....	2
15	SD-036-58	Self-Tapping Screw 10-16 x 1/2 Hex Washer Hd., Type AB.....	4
16	SC-053-03	Mach. Screw 10-24 x 3/4 Slotted Truss Hd. (SST).....	2
17	00-855321-00001	Panel – Cabinet Base (6-Pan).....	1
18	00-855321-00002	Panel – Cabinet Side (10-Pan).....	1
19	00-854766-00001	Speed Nut (J Type).....	4
20	SD-036-58	Self-Tapping Screw 10-16 x 1/2 Hex Washer Hd., Type AB.....	4
21	00-855315-00001	Bracket – Cabinet Apron.....	2
22	FE-016-02	Bushing – Electric Snap.....	1
23	00-855331-00001	Panel – Cabinet Base.....	1
24	SD-036-58	Self-Tapping Screw 10-16 x 1/2 Hex Washer Hd., Type AB.....	7
25	00-855435-00001	Panel – Cabinet Flue Base.....	1
26	00-855316-00001	Apron – Cabinet.....	1
27	PB-004-38	Plug – Button.....	1

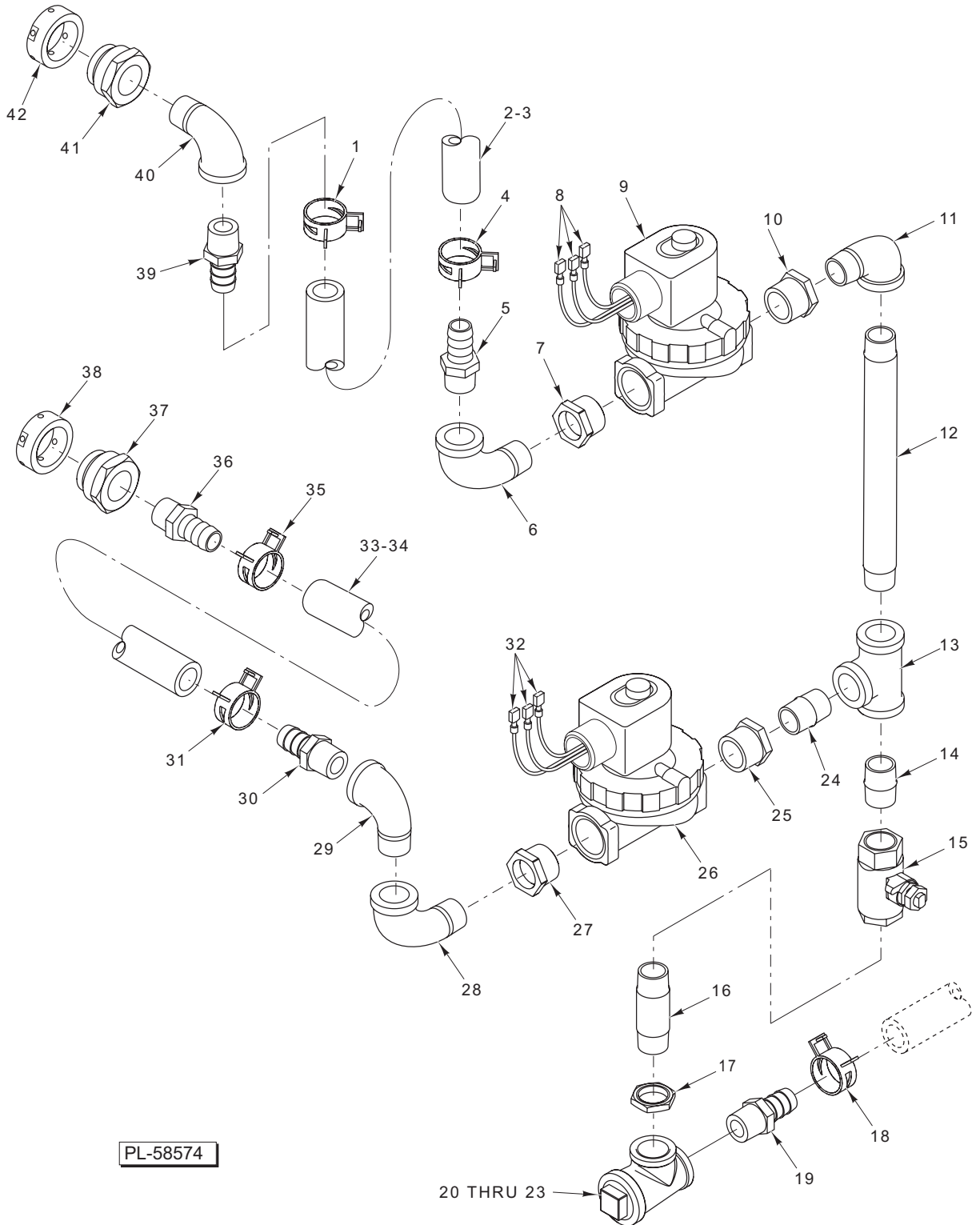


PL-58572

COMPARTMENT

## COMPARTMENT

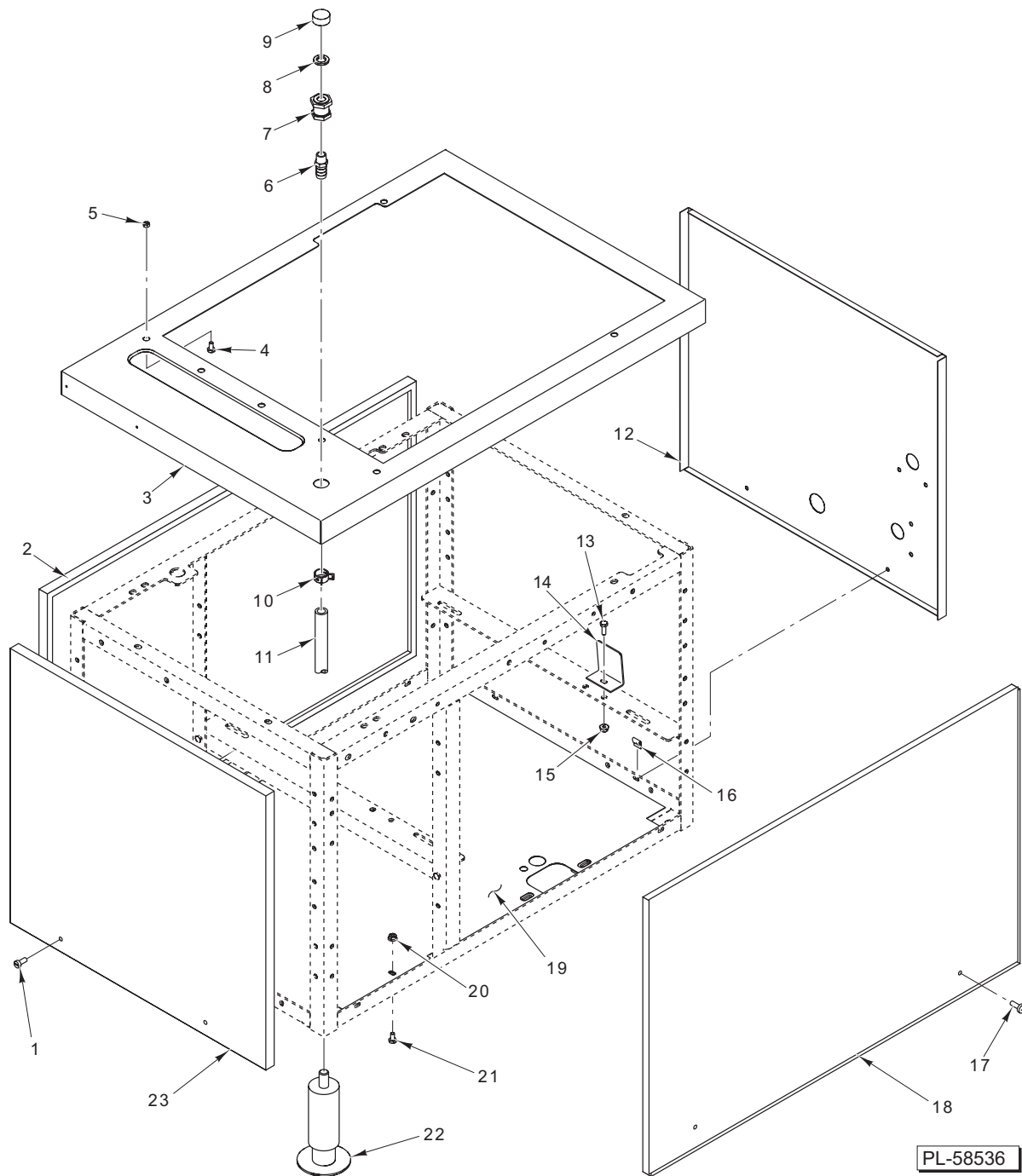
ILLUS. PL-58572	PART NO.	NAME OF PART	AMT.
1	00-855278-00001	Compartment (3-Pan).....	1
2	00-855449-00001	Compartment (5-Pan).....	1
3	00-855337-00001	Shoulder Screw 18-8 Slotted.....	4
4	NS-049-09	Nut 10-32 Hex Seal (SST).....	4
5	00-856769-00001	O-Ring.....	1
6	WS-010-26	Washer.....	1
7	FP-090-36	Coupling – Anchor 1/8 (Brass) (Incls. Nuts).....	1
8	00-856755-00001	Valve – Check.....	1
9	00-557718	Clamp – Hose.....	1
10	00-557473	Tube Line – Compartment Vacuum.....	1
11	00-557718	Clamp – Hose.....	1
12	FP-090-71	Fitting – Hose 3/8 Hose by 1/8 NPT (Brass).....	1
13	SC-021-08	Mach. Screw 6-32 x 3/8 Slotted Rd. Hd.....	2
14	WL-003-09	Lockwasher #6 Helical.....	2
15	00-411499-00004	Buzzer (115 V.).....	1
16	NS-011-07	Nut 6-32 Hex (SST).....	2
17	SC-021-12	Mach. Screw 6-32 x 1 Slotted Rd. Hd.....	2
18	00-842049	Switch – Door.....	1
19	NS-015-13	Nut 3/8-16 Hex (SST).....	1
20	WL-006-27	Lockwasher 3/8 Helical.....	1
21	00-855308-00001	Actuator Bracket – Door.....	1
22	RR-006-22	Ring – Retaining.....	2
23	00-855307-00001	Actuator Rod – Door.....	2
24	00-855586-00001	Bullet – Door.....	1
25	00-855355-00001	Rack – Wire (3-Pan).....	2
26	00-855355-00002	Rack – Wire (5-Pan).....	2
27	NS-011-18	Nut 10-24 Hex (SST).....	1
28	00-855753-00001	Cover – Drain.....	1
	00-855779-00001	Compartment – Insulation (3-Pan).....	1
	00-855779-00002	Compartment – Insulation (5-Pan).....	1



**PLUMBING**

## PLUMBING

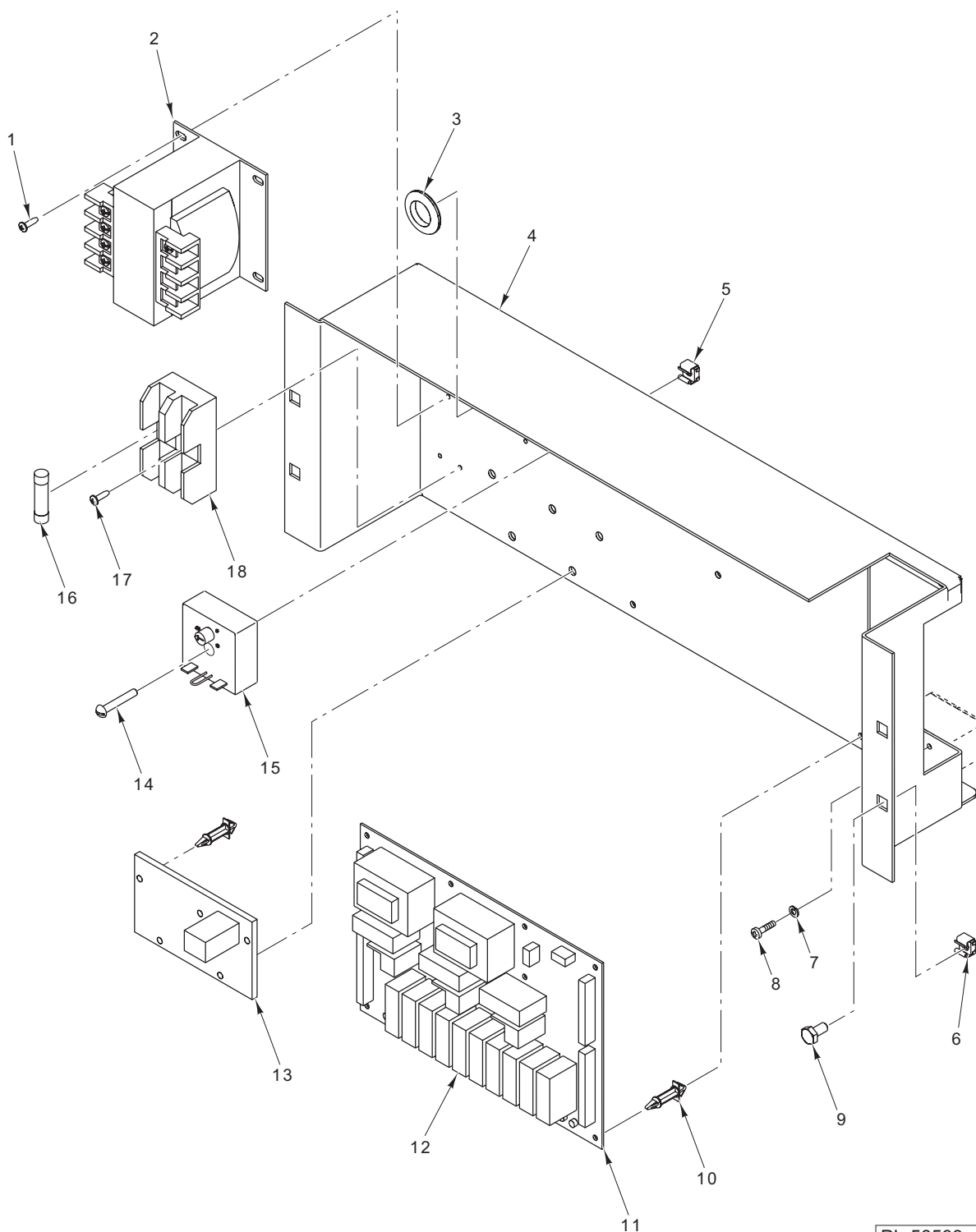
ILLUS. PL-58574	PART NO.	NAME OF PART	AMT.
1	00-557579	Clamp – Hose .....	1
2	00-557792	Hose – Steam (White 11 In.) (6-Pan).....	AR
3	00-557792	Hose – Steam (White 16 In.) (10-Pan) .....	AR
4	00-557579	Clamp – Hose .....	1
5	FP-090-83	Fitting – Hose (Brass).....	1
6	FP-015-17	Elbow – Pipe 1/2 x 90 Deg. (Brass).....	1
7	FP-027-22	Bushing – Pipe (Brass).....	1
8	00-065890-00138	Terminal – Insulated (Use With Item 9).....	3
9	00-857273-00001	Valve – Solenoid (3/4) .....	1
10	FP-027-22	Bushing – Pipe (Brass).....	1
11	FP-015-17	Elbow – Pipe 1/2 x 90 Deg. (Brass).....	1
12	FP-041-03	Pipe 1/2 x 8 TBE (Brass).....	1
13	FP-019-21	Tee – Pipe (Brass).....	1
14	FP-054-08	Pipe 1/2 x 1 1/4 TBE (SST).....	1
15	00-881161	Valve – Ball .....	1
16	FP-054-39	Pipe 1/2 x 2 1/2 Fully Threaded (SST).....	1
17	FP-053-05	Nut – Pipe Lock 1/2 (SST).....	2
18	00-557846	Clamp – Hose .....	1
19	FP-090-83	Fitting – Hose.....	1
20	FP-027-22	Bushing – Pipe (Brass) (6-Pan).....	2
21	FP-019-40	Tee – Pipe (Brass) (6-Pan) .....	1
22	FP-028-22	Plug – Pipe (Brass) (6-Pan).....	1
23	00-855676-00001	Screen – Strainer (6-Pan).....	1
24	FP-054-08	Pipe 1/2 x 1 1/4 TBE (SST).....	1
25	FP-027-22	Bushing – Pipe (Brass).....	1
26	00-857273-00001	Valve – Solenoid (3/4) .....	1
27	FP-027-22	Bushing – Pipe (Brass).....	1
28	FP-015-17	Elbow – Pipe 1/2 x 90 Deg. (Brass).....	1
29	FP-015-17	Elbow – Pipe 1/2 x 90 Deg. (Brass).....	1
30	FP-090-83	Fitting – Hose (Brass).....	1
31	00-557579	Clamp – Hose .....	1
32	00-065890-00138	Terminal – Insulated (Use With Item 26).....	3
33	00-557792	Hose – Steam (White 5 In.) (6-Pan) .....	AR
34	00-557792	Hose – Steam (White 8 1/2 In.) (10-Pan).....	AR
35	00-557579	Clamp – Hose .....	1
36	FP-090-83	Fitting – Hose (Brass).....	1
37	00-855394-00001	Adapter – Cabinet Steam Port.....	1
38	00-856753-00001	Steam Port – Compartment .....	1
39	FP-087-39	Fitting – Hose (Brass).....	1
40	FP-015-17	Elbow – Pipe 1/2 x 90 Deg. (Brass).....	1
41	00-855394-00001	Adapter – Cabinet Steam Port.....	1
42	00-856753-00001	Steam Port – Compartment .....	1



**BASE PANELS**

### BASE PANELS

ILLUS. PL-58536	PART NO.	NAME OF PART	AMT.
1	SC-053-03	Mach. Screw 10-24 x <sup>3</sup> / <sub>4</sub> Slotted Truss Hd. (SST).....	4
2	00-855672-00001	Panel – Side .....	1
3	00-855689-00001	Tabletop .....	1
4	SC-041-01	Cap Screw <sup>1</sup> / <sub>4</sub> -20 x <sup>3</sup> / <sub>4</sub> Hex Hd. (SST) .....	AR
5	NS-038-04	Lock Nut <sup>1</sup> / <sub>4</sub> -20 .....	AR
6	FP-090-63	Fitting – Hose (Brass) .....	1
7	FP-090-37	Fitting – Pipe (Brass) .....	1
8	00-856769-00001	O-Ring .....	1
9	FP-090-60	Fitting – Hose (Brass) .....	1
10	00-857845	Clamp – Hose .....	1
11	00-557475	Hose (Blue 9 In.).....	AR
12	00-857066-00001	Panel – Rear .....	1
13	SC-041-01	Cap Screw <sup>1</sup> / <sub>4</sub> -20 x <sup>3</sup> / <sub>4</sub> Hex Hd. (SST) .....	2
14	00-857064-00001	Bracket – Heat Exchanger Support .....	1
15	NS-038-04	Lock Nut <sup>1</sup> / <sub>4</sub> -20 .....	1
16	NS-048-97	Nut – Panel .....	8
17	SC-066-06	Mach. Screw 10-24 x <sup>1</sup> / <sub>2</sub> Phil. Truss Hd. (SST).....	4
18	00-855672-00001	Panel – Side .....	1
19	00-857041-00001	Cover – Frame Bottom .....	1
20	NS-038-04	Lock Nut <sup>1</sup> / <sub>4</sub> -20 .....	3
21	SC-036-14	Cap Screw <sup>1</sup> / <sub>4</sub> -20 x <sup>1</sup> / <sub>2</sub> Hex Hd.....	3
22	00-881526	Foot – Leg & Flange .....	4
23	00-855663-00002	Panel – Front .....	1
	00-857311-00001	Bracket – Drain Support .....	1

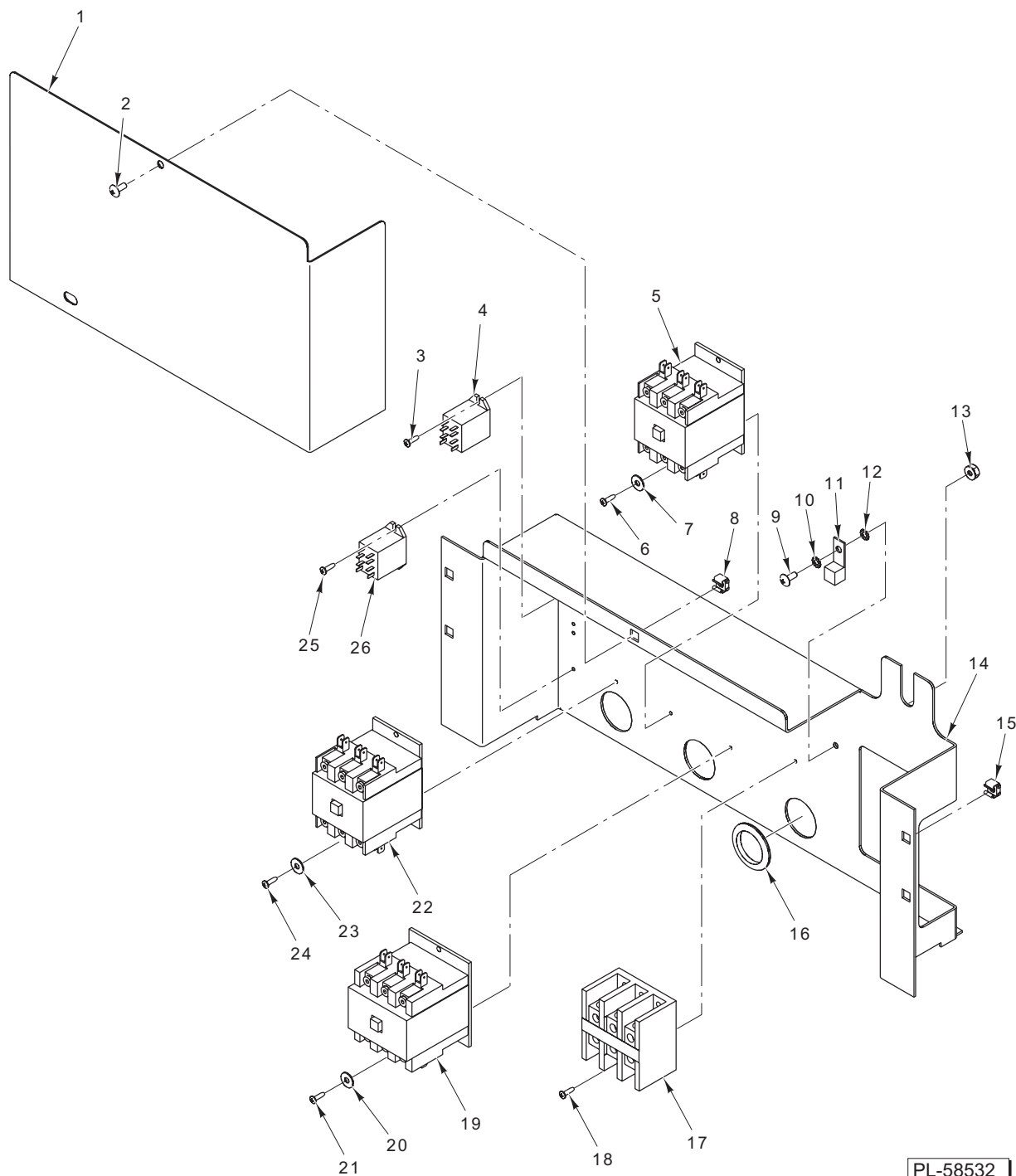


**LOW VOLTAGE ELECTRICAL COMPONENTS**



### LOW VOLTAGE ELECTRICAL COMPONENTS

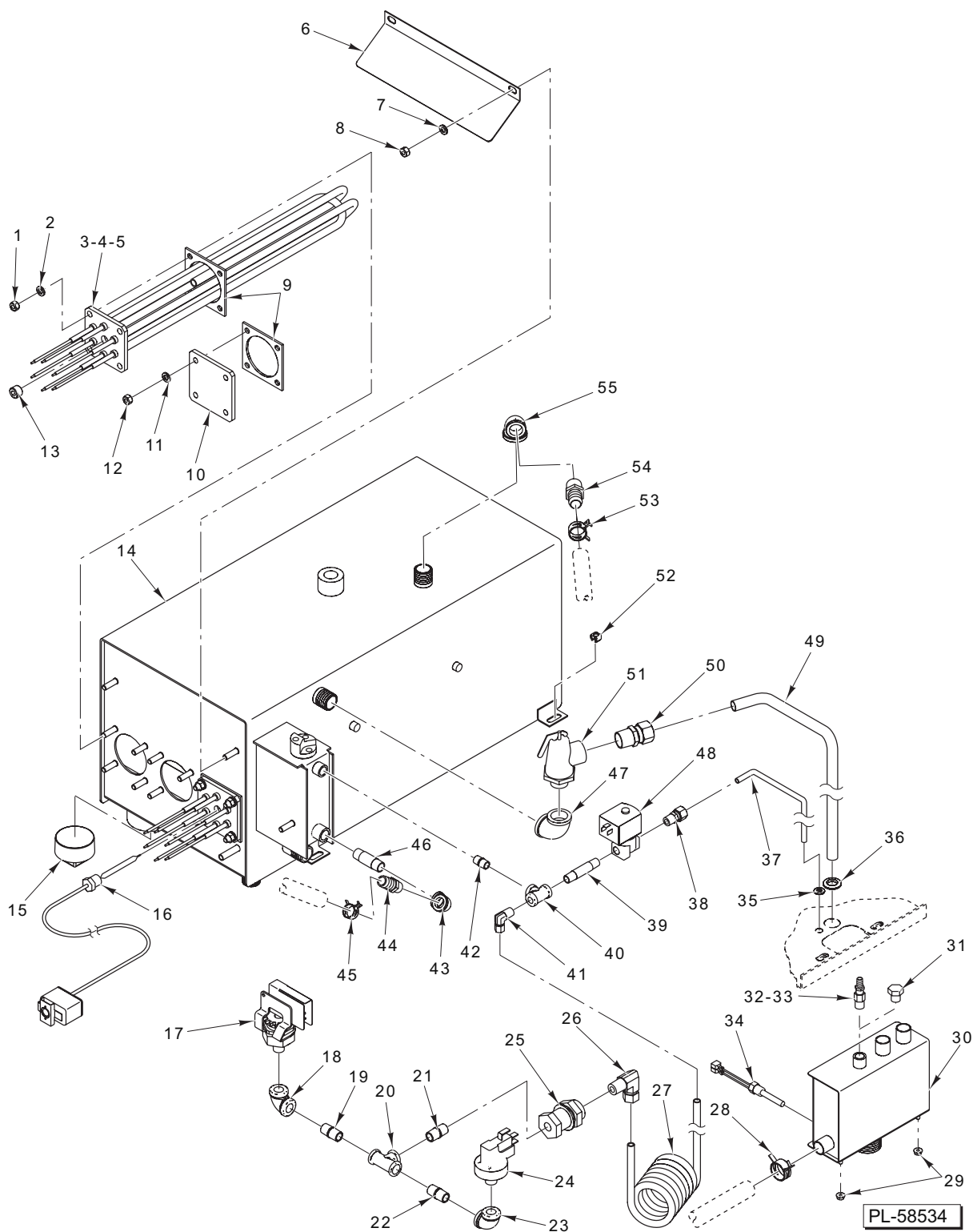
ILLUS. PL-58533	PART NO.	NAME OF PART	AMT.
1	SD-019-29	Self-Tapping Screw 6-20 x 1/2 Phil. Pan Hd., Type B .....	4
2	00-294500-046-1	Transformer (150VA., 50/60 Hz.) (208/240/480V - 120V).....	2
3	00-844125-00001	Grommet (3/4 In.).....	2
4	00-857038-00001	Box – Low Voltage Control .....	1
5	NS-049-01	Nut – Panel .....	4
6	NS-049-03	Nut – Panel .....	4
7	WL-003-09	Lockwasher #6 Helical .....	2
8	SC-113-10	Mach. Screw 4-40 x 3/8 Phil. Pan Hd.....	2
9	SC-036-14	Cap Screw 1/4-20 x 1/2 Hex Hd.....	4
10	00-857060-00001	Standoff – Dual Circuit Board .....	10
11	00-857056-00001	Board – Control (Incls. Relays).....	1
12	00-857399-00001	Relay.....	AR
13	00-844069-00001	Control – Low Water .....	1
14	SC-021-96	Mach. Screw 10-24 x 1 Slotted Rd. Hd. (SST) .....	1
15	00-857067-00001	Timer – Delay.....	1
16	00-423986-00001	Fuse – Power (KTK-R-3) (3 Amp., 600 V.) (Time Delay) .....	2
17	SD-019-29	Self-Tapping Screw 6-20 x 1/2 Phil. Pan Hd., Type B .....	2
18	00-855028-00001	Block – Fuse .....	1



**HIGH VOLTAGE ELECTRICAL COMPONENTS**

## HIGH VOLTAGE ELECTRICAL COMPONENTS

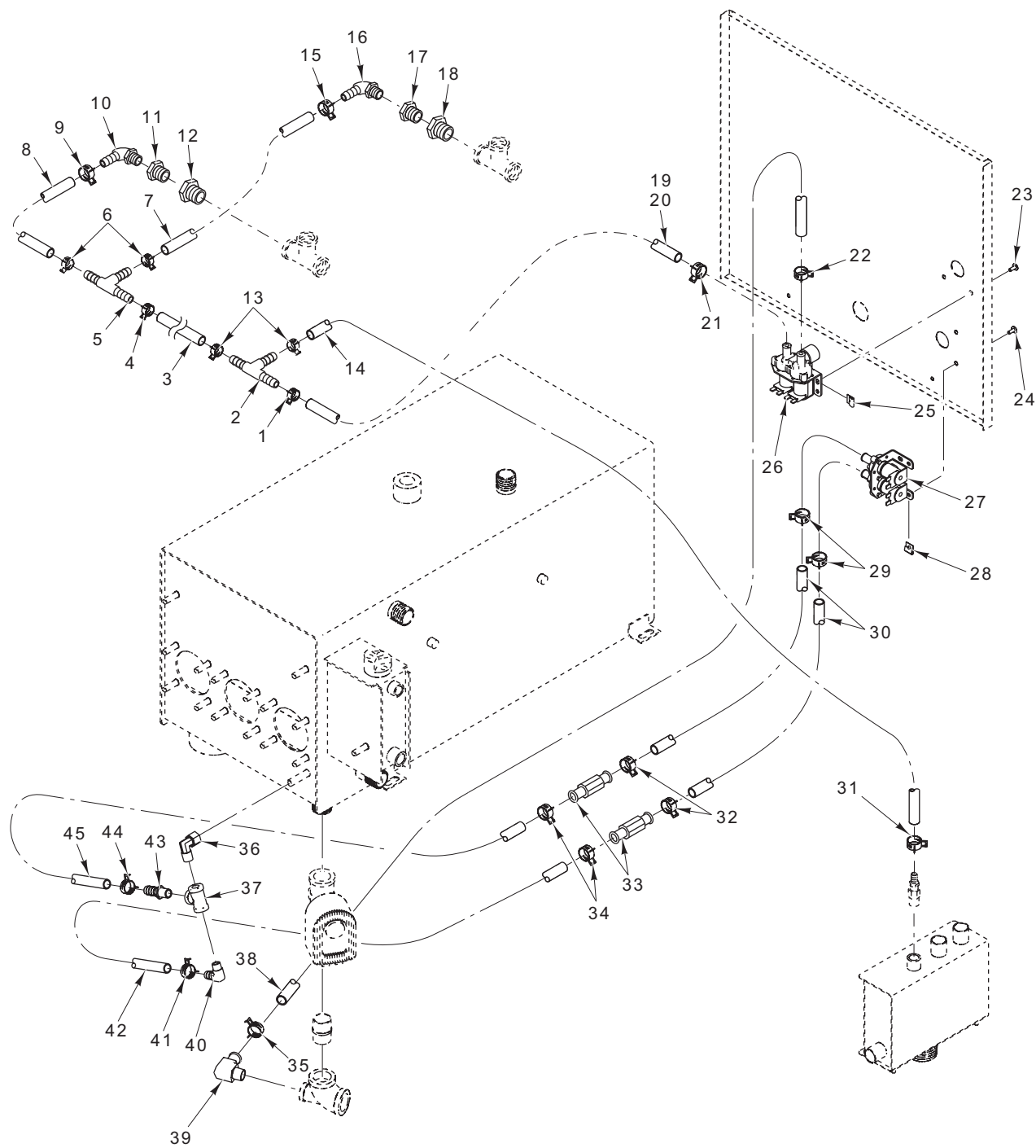
ILLUS. PL-58532	PART NO.	NAME OF PART	AMT.
1	00-857043-00001	Cover – High Voltage Control Box.....	1
2	SC-066-06	Mach. Screw 10-24 x 1/2 Phil. Truss Hd. (SST).....	1
3	SD-019-29	Self-Tapping Screw 6-20 x 1/2 Phil. Pan Hd., Type B.....	2
4	00-856699-00001	Switch – Relay (120 V.).....	1
5	00-881654	Contactactor (3-Pole, 50 Amp.).....	1
6	SD-019-29	Self-Tapping Screw 6-20 x 1/2 Phil. Pan Hd., Type B.....	2
7	WS-029-45	Washer.....	2
8	NS-049-01	Nut – Panel.....	1
9	SC-066-06	Mach. Screw 10-24 x 1/2 Phil. Truss Hd. (SST).....	1
10	WL-014-07	Lockwasher #10 External (SST).....	1
11	FE-023-88	Lug – Ground.....	1
12	WL-014-07	Lockwasher #10 External (SST).....	1
13	NS-044-09	Nut Assy. 10-24.....	1
14	00-857042-00001	Box – High Voltage Control.....	1
15	NS-049-03	Nut – Panel.....	4
16	00-844125-00004	Grommet (1/4 In.).....	4
17	00-410472-00008	Block – Terminal (3-Pole).....	1
18	SD-019-29	Self-Tapping Screw 6-20 x 1/2 Phil. Pan Hd., Type B.....	2
19	00-881655	Contactactor (3-Pole, 63 Amp.).....	1
20	WS-029-45	Washer.....	2
21	SD-019-29	Self-Tapping Screw 6-20 x 1/2 Phil. Pan Hd., Type B.....	2
22	00-881654	Contactactor (3-Pole, 50 Amp.).....	1
23	WS-029-45	Washer.....	2
24	SD-019-29	Self-Tapping Screw 6-20 x 1/2 Phil. Pan Hd., Type B.....	2
25	SD-019-29	Self-Tapping Screw 6-20 x 1/2 Phil. Pan Hd., Type B.....	2
26	00-856699-00001	Switch – Relay (120 V.).....	1



TANK ASSEMBLY

## TANK ASSEMBLY

ILLUS. PL-58534	PART NO.	NAME OF PART	AMT.
1	NS-014-11	Nut $\frac{5}{16}$ -18 Hex (Brass).....	1
2	WS-006-23	Washer.....	1
3	00-857049-00001	Element – Heating (208/240V., 8/10.5kW) (6-Pan).....	2
4	00-857049-00001	Element – Heating (208/240V., 6kW) (10-Pan).....	3
5	00-857049-00002	Element – Heating (277 V., 8kW).....	2
6	00-857040-00001	Shield – Drip .....	1
7	WL-006-23	Washer.....	1
8	NS-014-11	Nut $\frac{5}{16}$ -18 Hex (Brass).....	1
9	00-880410	Gasket – Coil .....	2
10	00-881585	Cap – Element Sleeve (6-Pan).....	1
11	WL-006-23	Washer.....	1
12	NS-014-11	Nut $\frac{5}{16}$ -18 Hex (Brass).....	1
13	PL-003-52	Plug – Pipe $\frac{3}{8}$ (Brass).....	1
14	00-857284-00001	Generator – Insulated .....	1
15	FP-028-34	Plug – Pipe (2 In.).....	1
16	00-856756-00001	Probe – High Limit Temperature .....	1
17	00-857022-00001	Switch – Pressure .....	1
18	FP-083-65	Elbow – Pipe $\frac{1}{8}$ x 90 Deg. (Brass).....	1
19	FP-081-93	Pipe $\frac{1}{8}$ x $\frac{3}{4}$ TBE (Brass).....	1
20	FP-019-02	Tee – Pipe $\frac{1}{8}$ x $\frac{1}{8}$ x $\frac{1}{8}$ (Brass).....	1
21	FP-081-93	Pipe $\frac{1}{8}$ x $\frac{3}{4}$ TBE (Brass).....	1
22	FP-081-93	Pipe $\frac{1}{8}$ x $\frac{3}{4}$ TBE (Brass).....	1
23	FP-083-65	Elbow – Pipe $\frac{1}{8}$ x 90 Deg. (Brass).....	1
24	00-857057-00001	Switch – Vacuum .....	1
25	FP-090-36	Fitting – Pipe $\frac{1}{8}$ (Brass) .....	1
26	FP-012-21	Fitting – Tube $\frac{1}{4}$ (Brass).....	1
27	00-857058-00001	Coil – Condensate .....	1
28	00-557847	Clamp – Hose.....	1
29	NS-046-38	Mach. Nut $\frac{1}{4}$ -20 Hex (SST).....	2
30	00-857068-00001	Condenser – Box.....	1
31	PL-003-52	Plug – Pipe $\frac{3}{8}$ (Brass) (6-Pan).....	1
32	00-857072-00001	Nozzle – Cavity Drain Cooling (10-Pan).....	1
33	FP-090-59	Fitting – Hose (Brass) (10-Pan).....	1
34	00-855607-00001	Thermostat – Condenser .....	1
35	00-844125-00002	Grommet $\frac{3}{8}$ .....	1
36	00-844125-00001	Grommet $\frac{3}{4}$ .....	1
37	00-857276-00001	Tube – Vent.....	1
38	FP-012-24	Fitting – Tube $\frac{3}{8}$ (Brass).....	1
39	FP-040-16	Pipe $\frac{1}{4}$ x 2 $\frac{1}{2}$ (Brass).....	1
40	FP-019-08	Tee – Pipe $\frac{1}{4}$ x $\frac{1}{4}$ x $\frac{1}{4}$ (Brass).....	1
41	FP-047-24	Fitting – Tube $\frac{1}{4}$ (Brass).....	1
42	FP-040-08	Pipe $\frac{1}{4}$ x $\frac{7}{8}$ TBE (Brass).....	1
43	FP-015-09	Elbow – Pipe $\frac{3}{8}$ x 90 Deg. (Brass).....	1
44	FP-090-63	Fitting – Hose (Brass).....	1
45	00-557845	Clamp – Hose.....	1
46	FP-040-22	Pipe $\frac{3}{8}$ x 2 TBE (Brass).....	1
47	FP-015-23	Elbow – Pipe $\frac{3}{4}$ x 90 Deg. (Brass).....	1
48	00-857021-00001	Valve – Solenoid .....	1
49	00-857275-00001	Drain – Popoff (5 PSI).....	1
50	FP-012-22	Fitting – Tube $\frac{3}{4}$ (Brass).....	1
51	00-855606-00001	Valve – Relief ( $\frac{3}{4}$ In., 5 PSI).....	1
52	NS-049-03	Nut – Panel.....	4
53	00-557846	Clamp – Hose.....	1
54	FP-090-83	Fitting – Hose (Brass).....	1
55	FP-016-12	Elbow – Reducing $\frac{1}{4}$ x $\frac{1}{2}$ (Brass).....	1

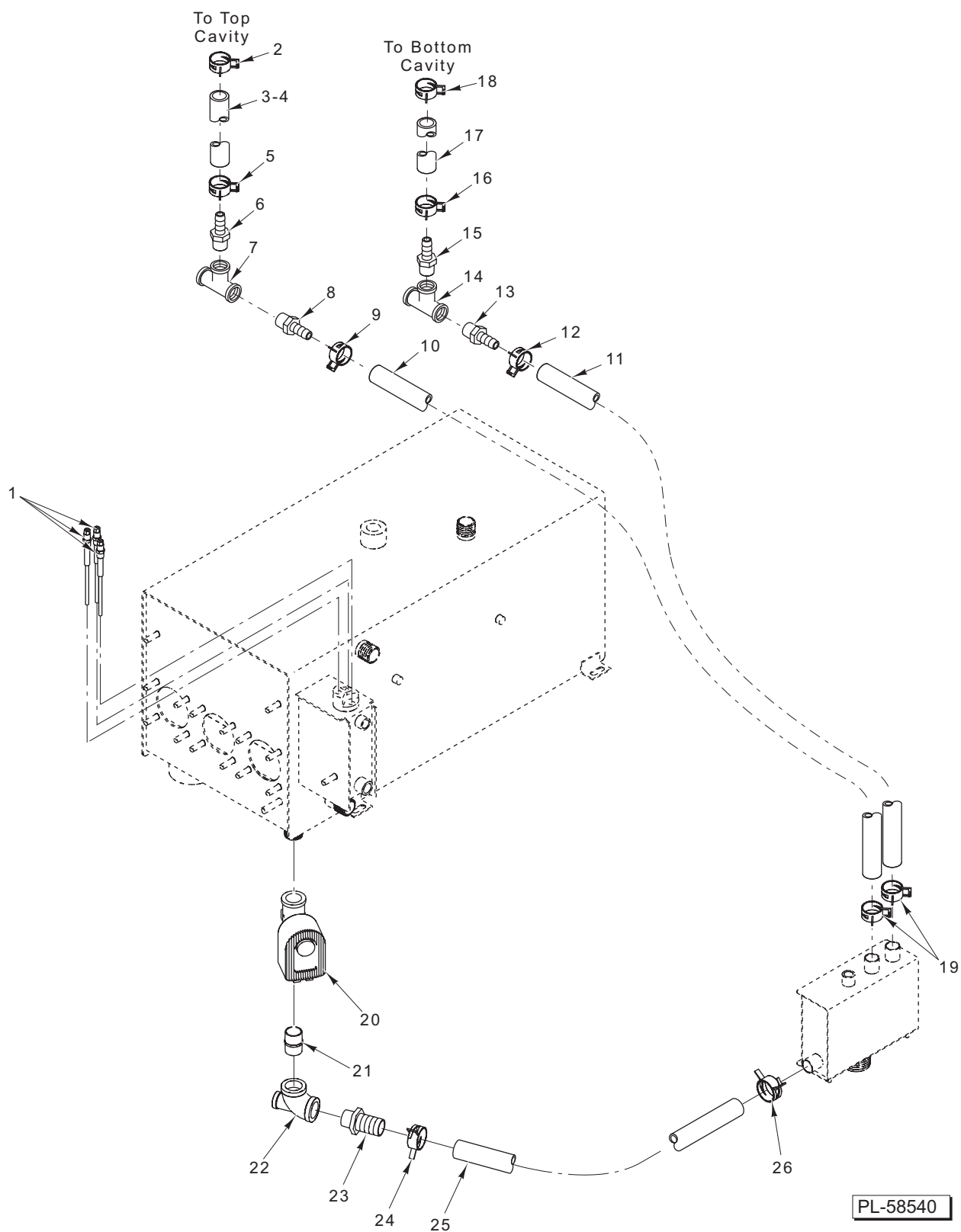


PL-58605

**WATER SUPPLY (CLEAR HOSES)**

## WATER SUPPLY (CLEAR HOSES)

ILLUS. PL-58605	PART NO.	NAME OF PART	AMT.
1	00-557844	Clamp – Hose .....	1
2	FP-090-94	Fitting – Hose (Brass) (10-Pan) .....	1
3	00-557681	Hose (Clear 9 In.) (10-Pan) .....	AR
4	00-557844	Clamp – Hose (10-Pan) .....	1
5	FP-090-94	Fitting – Hose (Brass) .....	1
6	00-557844	Clamp – Hose .....	2
7	00-557681	Hose (Clear 16 In.) .....	AR
8	00-557681	Hose (Clear 9 In.) .....	AR
9	00-557844	Clamp – Hose .....	1
10	FP-090-91	Fitting – Hose (Brass) .....	1
11	00-857072-00001	Nozzle – Cavity Drain Cooling .....	1
12	FP-026-23	Bushing – Pipe .....	1
13	00-557844	Clamp – Hose .....	2
14	00-557681	Hose (Clear 12 In.) (10-Pan) .....	AR
15	00-557844	Clamp – Hose .....	1
16	FP-090-91	Fitting – Hose (Brass) .....	1
17	00-857072-00001	Nozzle – Cavity Drain Cooling .....	1
18	FP-026-23	Bushing – Pipe .....	1
19	00-557681	Hose (Clear 16 In.) (10-Pan) .....	AR
20	00-557681	Hose (Clear 25 In.) (6-Pan) .....	AR
21	00-557844	Clamp – Hose .....	1
22	00-557847	Clamp – Hose .....	1
23	SC-066-06	Mach. Screw 10-24 x 1/2 Phil. Truss Hd. (SST) .....	2
24	SC-066-06	Mach. Screw 10-24 x 1/2 Phil. Truss Hd. (SST) .....	2
25	NS-048-97	Nut – Panel .....	2
26	00-856720-00001	Valve – Dual Water (3.8/3.8 G.P.M.) .....	1
27	00-856720-00003	Valve – Dual Water (4.8/0.28 G.P.M.) .....	1
28	NS-048-97	Nut – Panel .....	2
29	00-557844	Clamp – Hose .....	2
30	00-557681	Hose (Clear 20 In.) .....	AR
31	00-557844	Clamp – Hose .....	1
32	00-557844	Clamp – Hose .....	2
33	00-857179-00001	Valve – Check 1/2 Barb .....	2
34	00-557844	Clamp – Hose .....	2
35	00-557847	Clamp – Hose .....	1
36	FP-012-11	Fitting – Tube 3/8 (Brass) .....	1
37	FP-019-08	Tee – Pipe 1/4 x 1/4 x 1/4 (Brass) .....	1
38	00-557681	Hose (Clear 60 In.) .....	AR
39	FP-090-56	Fitting – Hose (Brass) .....	1
40	FP-090-91	Fitting – Hose (Brass) .....	1
41	00-557844	Clamp – Hose .....	2
42	00-557681	Hose (Clear 20 In.) .....	AR
43	FP-090-59	Fitting – Hose (Brass) .....	1
44	00-557844	Clamp – Hose .....	1
45	00-557681	Hose (Clear 20 In.) .....	AR

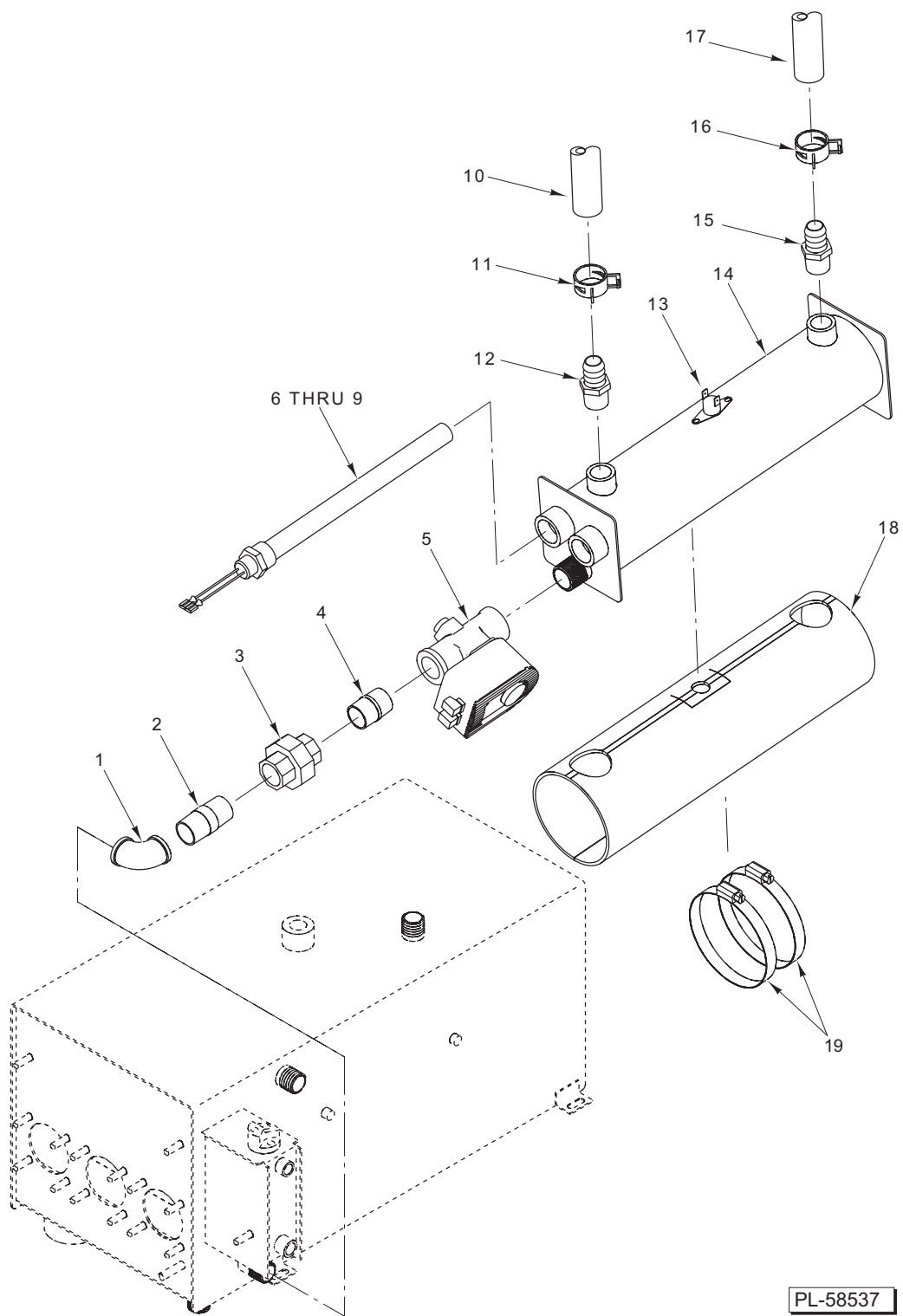


**DRAIN HOSE ASSEMBLY (GREEN HOSES)**



## DRAIN HOSE ASSEMBLY (GREEN HOSES)

ILLUS.	PART NO.	NAME OF PART	AMT.
PL-58540			
1	00-857046-00001	Probe – Water Level .....	3
2	00-557847	Clamp – Hose .....	1
3	00-557477	Hose (Green 22 In.) (Top Cavity To Drain Tee) (10-Pan).....	AR
4	00-557477	Hose (Green 18 In.) (Top Cavity To Drain Tee) (6-Pan).....	AR
5	00-557847	Clamp – Hose .....	1
6	FP-090-19	Fitting – Hose.....	1
7	FP-019-38	Tee – Pipe 1 x 1 x 1 (Top Cavity Drain) .....	1
8	FP-090-19	Fitting – Hose.....	1
9	00-557847	Clamp – Hose.....	1
10	00-557477	Hose (Green 26 In.) (Drain Tee To Condenser Box).....	AR
11	00-557477	Hose (Green 22 In.) (Drain Tee To Condenser Box).....	AR
12	00-557847	Clamp – Hose .....	1
13	FP-090-19	Fitting – Hose.....	1
14	FP-019-38	Tee – Pipe 1 x 1 x 1 (Bottom Cavity Drain).....	1
15	FP-090-19	Fitting – Hose.....	1
16	00-557847	Clamp – Hose .....	1
17	00-557477	Hose (Green 5 In.) (Bottom Cavity To Drain Tee) .....	AR
18	00-557847	Clamp – Hose .....	1
19	00-557847	Clamp – Hose .....	1
20	00-856718-00001	Valve – Generator Drain .....	1
21	FP-041-50	Pipe $\frac{3}{4}$ x $1\frac{3}{4}$ TBE (Brass).....	1
22	FP-085-65	Tee – Pipe $\frac{3}{4}$ x $\frac{3}{8}$ x $\frac{3}{4}$ .....	1
23	FP-090-51	Fitting – Hose (Brass).....	1
24	00-557847	Clamp – Hose .....	1
25	00-557477	Hose (Green 12 $\frac{1}{2}$ In.).....	AR
26	00-557847	Clamp – Hose .....	1



PL-58537

**HEAT EXCHANGER**

## HEAT EXCHANGER

ILLUS. PL-58537	PART NO.	NAME OF PART	AMT.
1	FP-015-23	Elbow – Pipe $\frac{3}{4}$ x 90 Deg. (Brass).....	1
2	FP-041-54	Pipe $\frac{3}{4}$ x 2 TBE (Brass).....	1
3	FP-022-18	Union – Pipe (Brass).....	1
4	FP-041-50	Pipe $\frac{3}{4}$ x $1\frac{3}{8}$ TBE (Brass).....	1
5	00-856718-00001	Generator – Drain Valve .....	1
6	00-857048-00001	Cartridge – Heater (208/240 V., 450/600 W.).....	2
7	00-857048-00002	Cartridge – Heater (208/240 V., 600/800 W.) (10-Pan).....	1
8	00-857048-00003	Cartridge – Heater (277 V., 600 W.) (6-Pan).....	1
9	00-857048-00004	Cartridge – Heater (277 V., 800 W.) (10-Pan).....	1
10	00-557792	Hose (White $11\frac{3}{4}$ In.) (Steam To Generator).....	AR
11	00-557846	Clamp – Hose .....	1
12	FP-090-83	Fitting – Hose (Brass).....	1
13	00-857059-00001	Heat Exchanger – Hi Limit .....	1
14	00-857061-00001	Tube – Heat Exchanger .....	1
15	FP-090-83	Fitting – Hose (Brass).....	1
16	00-557846	Clamp – Hose .....	1
17	00-557792	Hose (White $13\frac{1}{2}$ In.) (Steam To Cavity).....	AR
18	00-857055-00001	Insulation – Heat Exchanger.....	1
19	00-857277-00001	Clamp – Hose .....	2

