

CATALOG OF REPLACEMENT PARTS

CMJ AND VCM SERIES GAS CHEESEMELTERS



MODEL

CMJ24 *ML-135124*

CMJ34 *ML-135123*

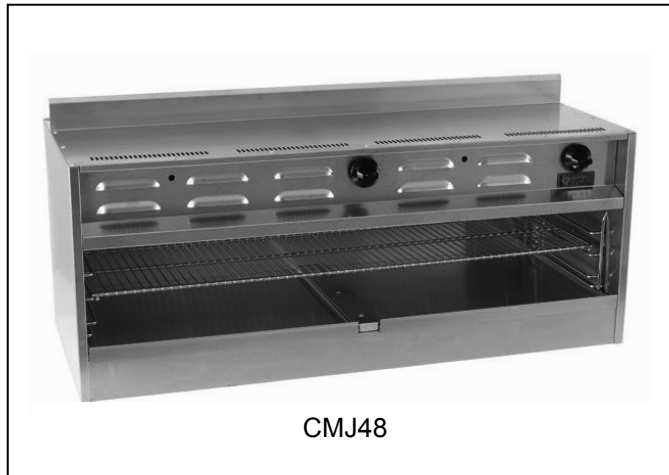
CMJ36 *ML-135126*

CMJ48 *ML-135127*

CMJ60 *ML-135128*

CMJ72 *ML-135129*

www.wolfrange.com



CMJ48



MODEL

VCM24 *ML-135124*

VCM34 *ML-135123*

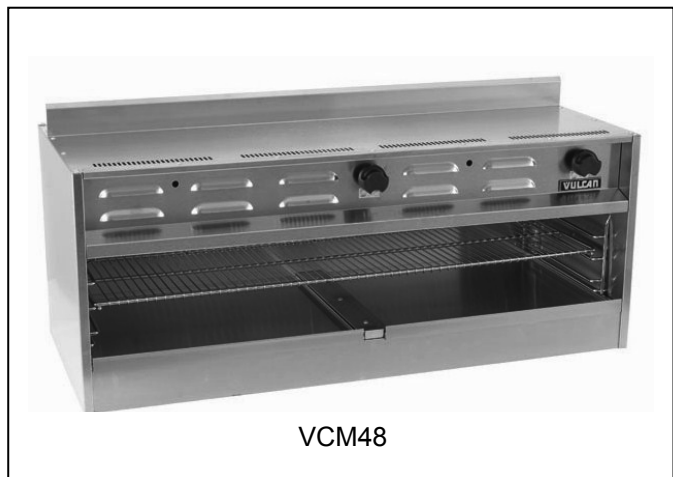
VCM36 *ML-135126*

VCM48 *ML-135127*

VCM60 *ML-135128*

VCM72 *ML-135129*

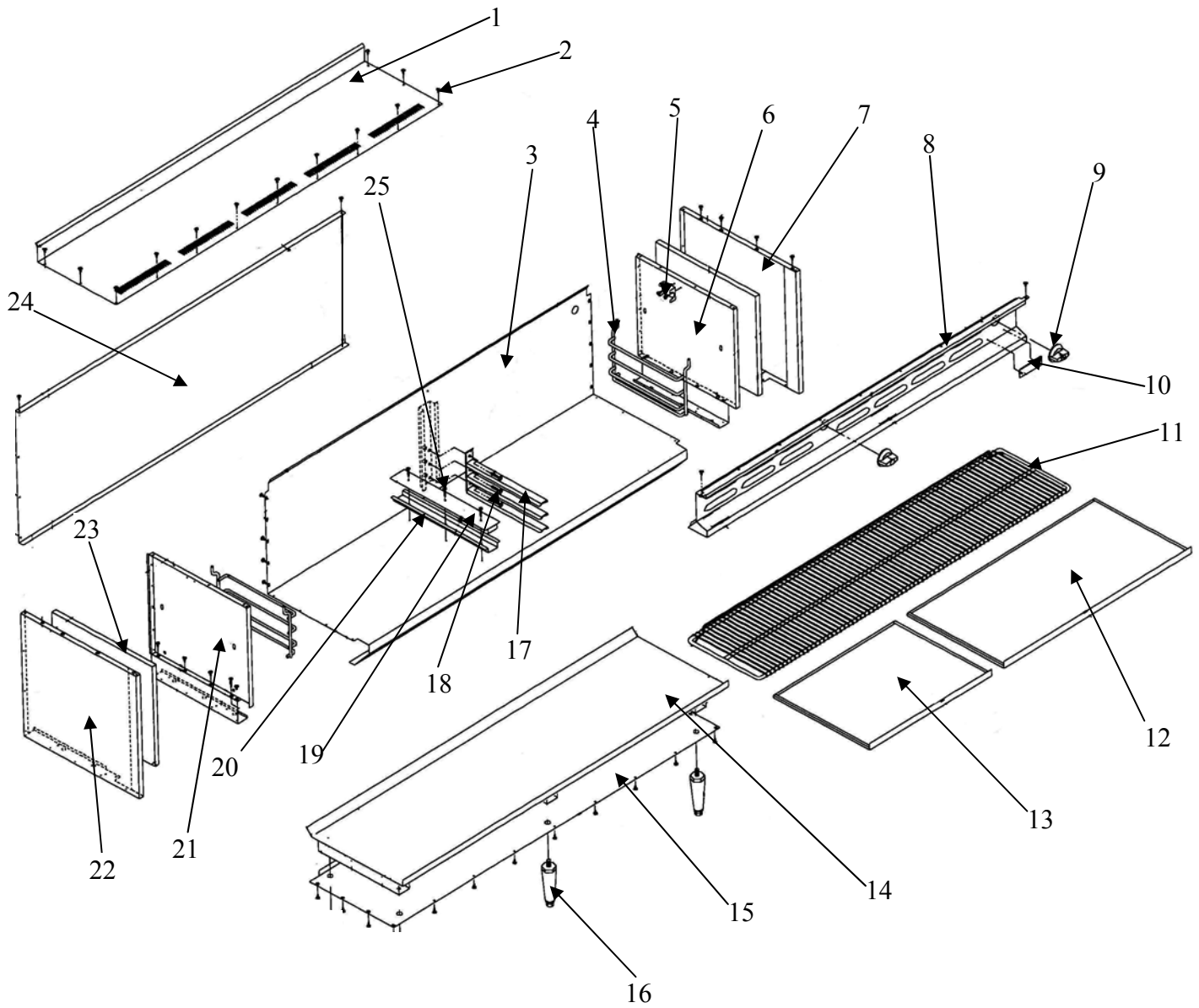
www.vulcanhart.com



VCM48

For additional information on Vulcan-Hart or to locate an authorized parts
And service provider in your area, visit our website at www.vulcanhart.com

HOUSING AND COMPONENTS



CMJ60 SHOWN

HOUSING AND COMPONENTS

| ILLUS. | PART NO. | NAME OF PART | AMT. |
|--------|-----------------|--|------|
| 1 | 00-764251 | PANEL,24" TOP..... | 1 |
| | 00-788482-00001 | PANEL,34" TOP..... | 1 |
| | 00-764252 | PANEL,36" TOP..... | 1 |
| | 00-764253 | PANEL,48" TOP..... | 1 |
| | 00-764254 | PANEL,60" TOP..... | 1 |
| | 00-764255 | PANEL,72" TOP..... | 1 |
| 2 | 00-730228 | SCREW,10-24 X 1/2" SELF TAP PHILLIPS..... | AR |
| 3 | | BODY PANEL – NOT FIELD SERVICEABLE..... | 1 |
| 4 | 00-712378-00001 | BRACKET,RACK SUPPORT..... | 2 |
| 5 | 00-723284 | 3/4" PIPE CLAMP HANGER..... | 1 |
| 6 | 00-762526 | PANEL,RIGHT SIDE INSULATION..... | 1 |
| 7 | 00-764992 | PANEL,RIGHT SIDE..... | 1 |
| 8 | 00-764995-00001 | PANEL,24" FRONT..... | 1 |
| | 00-788479 | PANEL,34" FRONT..... | 1 |
| | 00-764996-00001 | PANEL,36" FRONT..... | 1 |
| | 00-764997-00001 | PANEL,48" FRONT..... | 1 |
| | 00-764998-00001 | PANEL,60" FRONT..... | 1 |
| | 00-764999-00001 | PANEL,72" FRONT..... | 1 |
| 9 | 00-719259-00012 | KNOB,RED WOLF..... | 1 |
| | 00-420560-00001 | KNOB,RED VULCAN..... | 1 |
| | 00-426745-00001 | KNOB,BLACK VULCAN..... | 1 |
| 10 | 00-417700-00003 | LOGO, VULCAN..... | 1 |
| | 00-723204 | LOGO,WOLF..... | 1 |
| 11 | 00-712300-00001 | 24" RACK..... | 1 |
| | 00-712301-00002 | 34" RACK..... | 1 |
| | 00-712301-00001 | 36" RACK..... | 1 |
| | 00-712302-00001 | 48" RACK..... | 1 |
| | 00-712303-00001 | 60" RACK..... | 1 |
| | 00-712304-00001 | 72" RACK..... | 1 |
| 12 | 00-788486 | TRAY,34" CRUMB(34 MODELS ONLY)..... | 1 |
| | 00-765031 | TRAY,36" CRUMB(36,60 AND 72 MODELS)..... | AR |
| 13 | 00-765030 | TRAY,24" CRUMB(24,48 AND 60 MODELS)..... | AR |
| 14 | | BOTTOM INSULATION PANEL – NOT FIELD SERVICEABLE..... | 1 |
| 15 | 00-765050 | PANEL,24" BOTTOM..... | 1 |
| | 00-788481-00001 | PANEL,34" BOTTOM..... | 1 |
| | 00-765051 | PANEL,36" BOTTOM..... | 1 |
| | 00-765052 | PANEL,48" BOTTOM..... | 1 |
| | 00-765053 | PANEL,60" BOTTOM..... | 1 |
| | 00-765054 | PANEL,72" BOTTOM..... | 1 |
| 16 | 00-719260 | 6" ADJUSTABLE LEG..... | AR |
| 17 | 00-709214-000A2 | CENTER RACK SUPPORT ASSEMBLY(60 AND 72 MODELS)..... | 1 |
| 18 | 00-730022 | SCREW,1/4"-20 x 1.75"(60 AND 72 MODELS)..... | 3 |
| 19 | 00-765034 | CENTER DRIP PAN GUIDE TOP..... | 1 |
| 20 | 00-765035 | CENTER DRIP PAN GUIDE BOTTOM..... | 1 |
| 21 | 00-762518 | PANEL,LEFT SIDE INSULATION..... | 1 |
| 22 | 00-764991 | PANEL,LEFT SIDE..... | 1 |

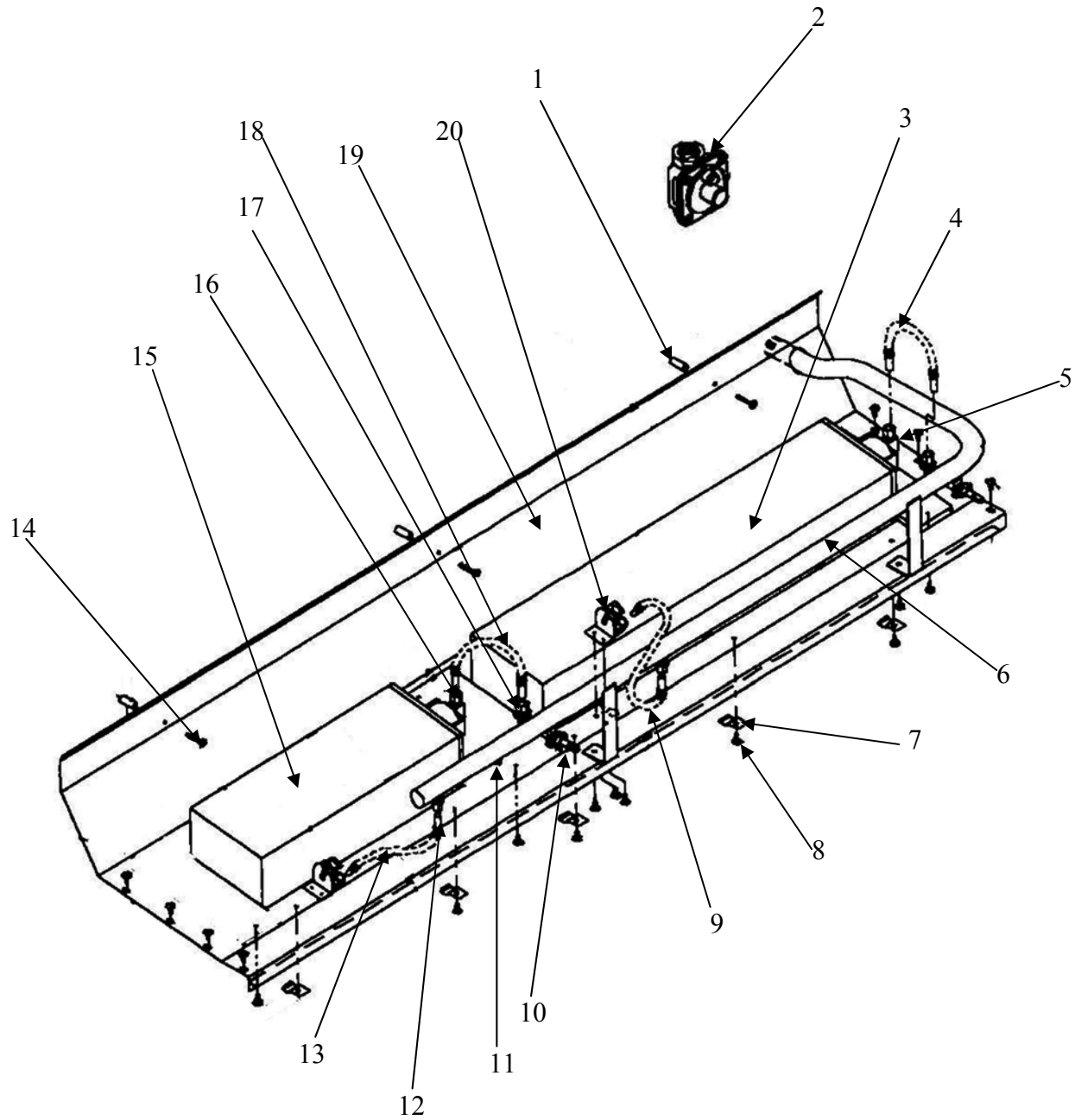
HOUSING AND COMPONENTS(CONT.)

| ILLUS. | PART NO. | NAME OF PART | AMT. |
|--------|-----------------|---------------------------|------|
| 23 | 00-712066 | SIDE INSULATION..... | 2 |
| 24 | 00-765002 | PANEL,24" BACK..... | 1 |
| | 00-765003-00001 | PANEL,34" BACK..... | 1 |
| | 00-765003 | PANEL,36" BACK..... | 1 |
| | 00-765004 | PANEL,48" BACK..... | 1 |
| | 00-765005 | PANEL,60" BACK..... | 1 |
| | 00-765006 | PANEL,72" BACK..... | 1 |
| 25 | 00-730022 | 1/4-20 X 1.75" SCREW..... | 3 |

NOT SHOWN

| | | |
|-----------|----------------------|----|
| 00-714471 | 3/8-16 CAGE NUT..... | AR |
|-----------|----------------------|----|

GAS TRAIN



CMJ60 SHOWN

GAS TRAIN

| ILLUS. | PART NO. | NAME OF PART | AMT. |
|--------|-----------------|---|------|
| 1 | 00-712380 | FLUE SPACER..... | AR |
| 2 | 00-408279-25 | PRESSURE REGULATOR NATURAL..... | 1 |
| | 00-408279-21 | PRESSURE REGULATOR L.P..... | 1 |
| 3 | 00-712379 | 36 IR BURNER (34,36,60 AND 72 MODELS)..... | AR |
| 4 | 00-722425 | 3/8" X 8" FLEX TUBING..... | AR |
| 5 | 00-713944-43 | NAT. GAS ORIFICE FOR 36 IR BURNER(34,36,60 AND 72 MODELS).... | AR |
| | 00-713944-53 | LP. GAS ORIFICE FOR 36 IR BURNER(34,36,60 AND 72 MODELS).... | AR |
| 6 | 00-723392 | MANIFOLD W/A(24,34 AND 36 MODELS)..... | 1 |
| | 00-723393 | MANIFOLD W/A(48 AND 60 MODELS)..... | 1 |
| | 00-723394 | MANIFOLD W/A(72 MODELS)..... | 1 |
| 7 | 00-764971 | IR BURNER RETAINING CLIP..... | AR |
| 8 | 00-730228 | 10-24 X 1/2" SELF TAP SCREW..... | AR |
| 9 | 00-722227 | 1/4" X 6" FLEX TUBING (48 and 60 MODELS)..... | AR |
| | 00-722228 | 1/4" X 12" FLEX TUBING (24, 34,36,60 AND 72 MODELS)..... | AR |
| 10 | 00-719221 | ADJUSTABLE BURNER VALVE..... | AR |
| 11 | 00-719363 | 1/8 NPT COUNTERSINK PLUG..... | AR |
| 12 | 00-719179 | SINGLE PILOT VALVE..... | AR |
| 13 | 00-722228 | 1/4" X 12" FLEX TUBING (48 AND 60 MODELS)..... | AR |
| 14 | 00-730229 | 10-24 X 1.25" SELF TAP SCREW..... | AR |
| 15 | 00-712398 | 24 IR BURNER (24,48 AND 60 MODELS)..... | AR |
| 16 | 00-713944-48 | NAT. GAS ORIFICE FOR 24 IR BURNER (24, 48 AND 60 MODELS).... | AR |
| | 00-713944-55 | LP. GAS ORIFICE FOR 24 IR BURNER (24, 48 AND 60 MODELS).... | AR |
| 17 | 00-719393 | 3/8 MPT X 3/8-27 X 3/8 CC ELBOW..... | AR |
| 18 | 00-722425 | 3/8" X 8" FLEX TUBING..... | AR |
| 19 | 00-764977-00001 | 24" BURNER PANEL..... | 1 |
| | 00-788478 | 34" BURNER PANEL..... | 1 |
| | 00-764978-00001 | 36" BURNER PANEL..... | 1 |
| | 00-764979-00001 | 48" BURNER PANEL..... | 1 |
| | 00-764980-00001 | 60" BURNER PANEL..... | 1 |
| | 00-764981-00001 | 72" BURNER PANEL..... | AR |
| 20 | 00-718327 | BASO PILOT BURNER (NATURAL GAS)..... | AR |
| | 00-715007 | LP ORIFICE FOR PILOT BURNER..... | AR |
| | 00-764987 | PILOT BURNER BRACKET..... | AR |

RECOMMENDED SPARE PARTS

| PART NO. | NAME OF PART | AMT. |
|-----------------|--|------|
| 00-719259-00012 | KNOB,RED WOLF..... | 1 |
| 00-420560-00001 | KNOB,RED VULCAN..... | 1 |
| 00-426745-00001 | KNOB,BLACK VULCAN..... | 1 |
| 00-408279-25 | PRESSURE REGULATOR NATURAL..... | 1 |
| 00-408279-21 | PRESSURE REGULATOR L.P..... | 1 |
| 00-712379 | 36 IR BURNER (34,36,60 AND 72 MODELS)..... | 1 |
| 00-712398 | 24 IR BURNER (24,48 AND 60 MODELS)..... | 1 |
| 00-718327 | BASO PILOT BURNER (NATURAL GAS)..... | 1 |
| 00-715007 | LP ORIFICE FOR PILOT BURNER..... | 1 |
| 00-713944-43 | NAT. GAS ORIFICE FOR 36 IR BURNER(34,36,60 AND 72 MODELS)..... | 1 |
| 00-713944-48 | NAT. GAS ORIFICE FOR 24 IR BURNER (24, 48 AND 60 MODELS)..... | 1 |
| 00-713944-53 | LP. GAS ORIFICE FOR 36 IR BURNER(34,36,60 AND 72 MODELS)..... | 1 |
| 00-713944-55 | LP. GAS ORIFICE FOR 24 IR BURNER (24, 48 AND 60 MODELS)..... | 1 |
| 00-719221 | ADJUSTABLE BURNER VALVE..... | 1 |
| 00-719179 | SINGLE PILOT VALVE..... | 1 |

NOTES