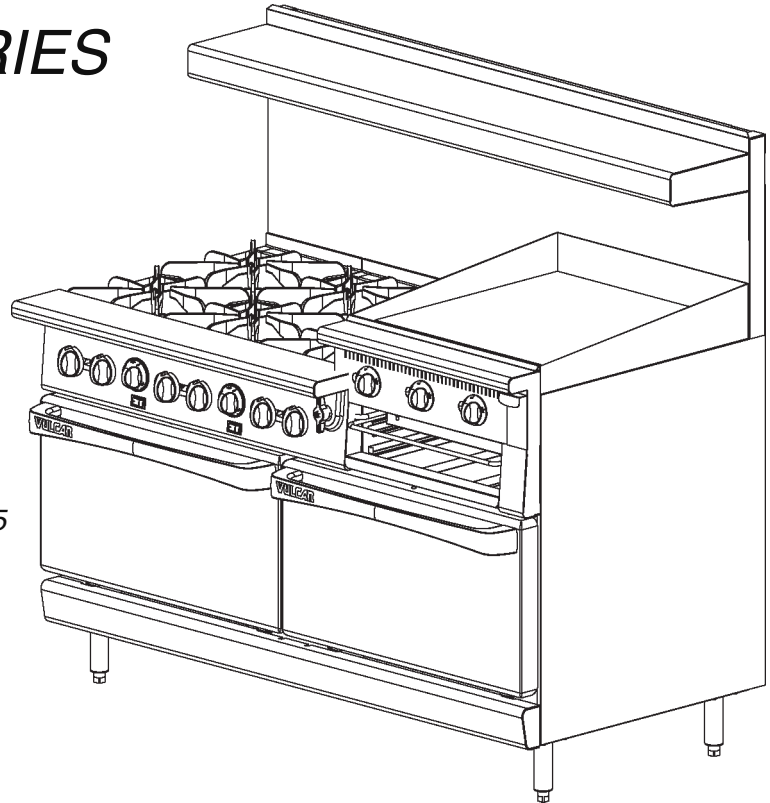


VULCAN

CATALOG OF REPLACEMENT PARTS

ENDURANCE SERIES GAS RANGES



MODELS

G36	ML-136472
G36C	ML-136746
G36F, X	ML-136474, ML-136475
G36S	ML-136473
G48	ML-136491
G48C	ML-136493
G48F	ML-136492
G60	ML-136479
G60C	ML-136482
G60CC	ML-136485
G60F, X	ML-136480, ML-136481
G60FC	ML-136483
G60XC	ML-136484
G60FCC	ML-136486
G60XCC	ML-136487
G260	ML-136488
G260C	ML-136489
G260CC	ML-136490

For additional information on Vulcan-Hart or to locate an authorized parts and service provider in your area, visit our website at www.vulcanhart.com

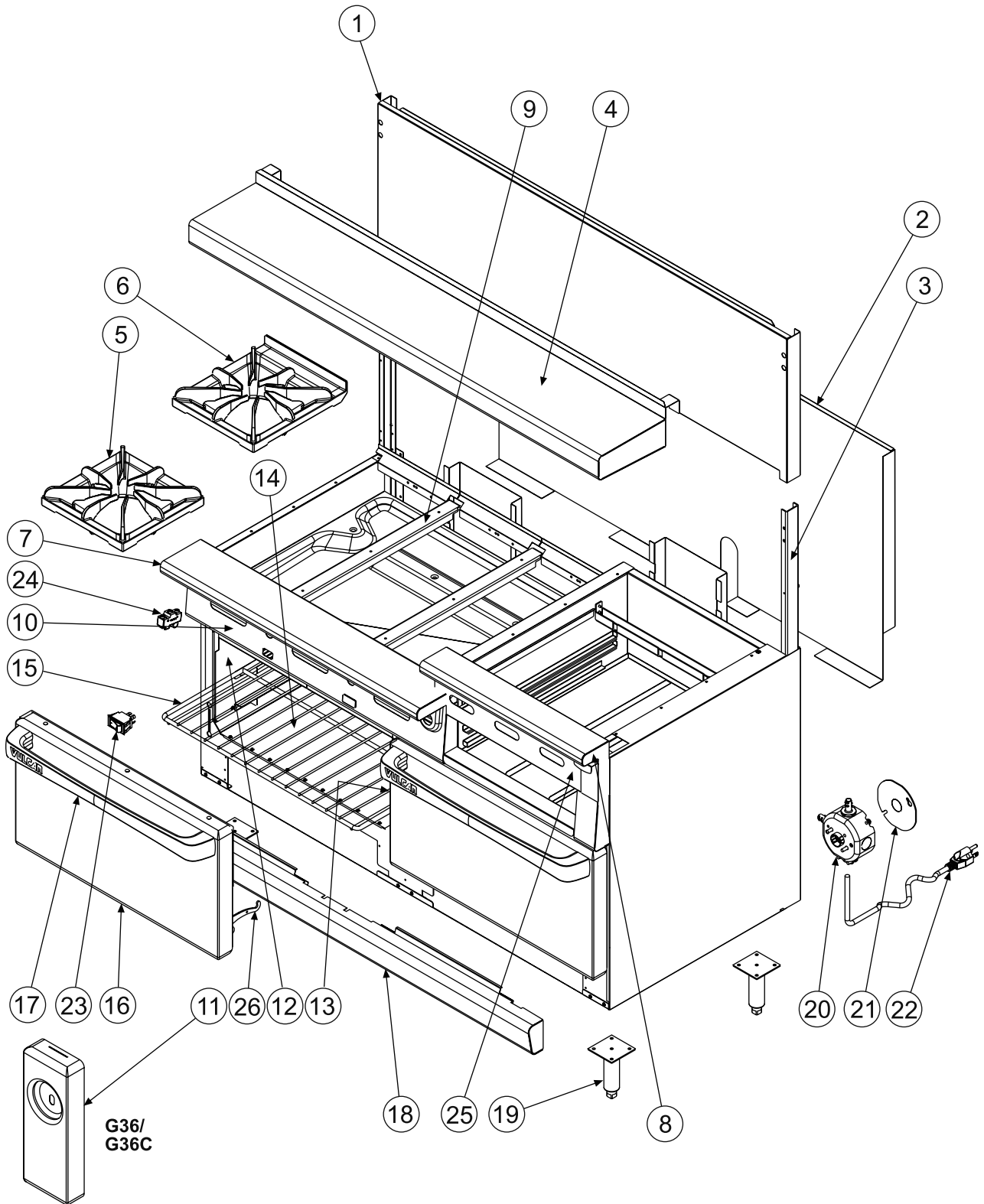


Fig. 1

OVEN BODY

OVEN BODY

ILLUS. Fig. 1	PART NO.	NAME OF PART	AMT.								
			G36, F	G36C, FC	G60	G60C	G60CC	G260	G260C	G260CC	
1	00-428642-00001	Back Splash	1, 1	1, 1							
	00-428745-00001	Back Splash			1	1	1				
	00-428805-00001	Back Splash						1	1	1	
2	00-428641-00001	Rear Heat Shield	1, 1	1, 1							
	00-428744-00001	Rear Heat Shield			1	1	1				
	00-428804-00001	Rear Heat Shield						1	1	1	
3	00-428504-00001	Bayonet Channel	2, 2	2, 2	2	2	2	2	2	2	
4	00-428936-000G1	Plate Shelf Assy	1, 1	1, 1							
	00-497021-000G1	Plate Shelf Assy			1	1	1	1	1	1	
5	00-428879-00001	Front Grate Casting	3, 3	3, 3	5	5	5	3	3	3	
6	00-428880-00001	Rear Grate Casting	3, 3	3, 3	5	5	5	3	3	3	
	00-498132-0000A	Weldment, Bullnose	0, 1	0, 1							
7	00-428666-000G1	Front Top Assembly	1, 1	1, 1							
	00-428731-000G1	Front Top Assembly			1	1	1				
	00-428766-000G1	Front Top Assembly						1	1	1	
8	00-428788-000G1	Broiler Front Top Assembly						1	1	1	
9	00-428362-00001	Grate Support	2, 2	2, 2	4	4	4	2	2	2	
10	00-428639-00001	Manifold Cover, Std. Oven	1, 1	1, 1							
	00-428736-00001	Manifold Cover, Std. Oven			1						
	00-497236-00001	Manifold Cover, Conv. Oven				1	1				
	00-428789-00001	Manifold Cover, Std. Oven						1			
	00-497206-00001	Manifold Cover, Conv. Oven							1	1	
11	00-497032-000G1	Oven Control Panel, Std.	1, 1								
	00-497151-000G1	Oven Control Panel, Conv.		1, 1							
12	00-428959-000G2	Oven Liner, Left	1, 1	1, 1	2	1		2	1		
13	00-428959-000G1	Oven Liner, Right	1, 1	1, 1	2	1		2	1		
14	00-428630-00001	Oven Bottom	1, 1	1, 1	2	1		2	1		
15	00-428499-00001	Oven Rack	1, 1	2, 2	2	3	4	2	3	4	
16	00-497028-000G1	Door Assembly	1, 1	1, 1	2	2	2	2	2	2	
17	00-428618-00001	Door Handle	1, 1	1, 1	2	2	2	2	2	2	
18	00-428948-000G1	Kick Panel Assembly	1, 1	1, 1							
	00-497018-000G1	Kick Panel Assembly			1	1	1	1	1	1	
19	00-413112-00012	Leg, 6" Adjustable, SST	4, 4	4, 4	4	4	4	4	4	4	
20	00-406734-00001	Electrical Junction Box		1, 1		1	1		1	1	
21	00-406734-00002	Electrical Junction Box Cover		1, 1		1	1		1	1	
22	00-405016-00001	Cord, Electrical Supply		1, 1		1	1		1	1	
23	00-411496-000B1	Oven Switch		1, 1		1	2		1	2	
24	00-411496-000F1	Door Limit Switch		1, 1							
	00-411496-000F7	Door Limit Switch				1	2		1	2	
25	00-428790-00001	Manifold Cover, Broiler						1	1	1	
26	00-497027-00001	Door Spring Hinge, RH	1, 1	1, 1	2	2	2	2	2	2	
	00-497027-00002	Door Spring Hinge, LH	1, 1	1, 1	2	2	2	2	2	2	
	SC-081-78	Bolt, Hex Head 1/4-20 X 4 (Attach Shelf to Riser)	4, 4	4, 4	4	4	4	4	4	4	
*	00-497001-00001	Caster (W/O Brake)	AR	AR	AR	AR	AR	AR	AR	AR	
*	00-497001-00002	Caster (W/Brake)	AR	AR	AR	AR	AR	AR	AR	AR	
*	Not Shown										

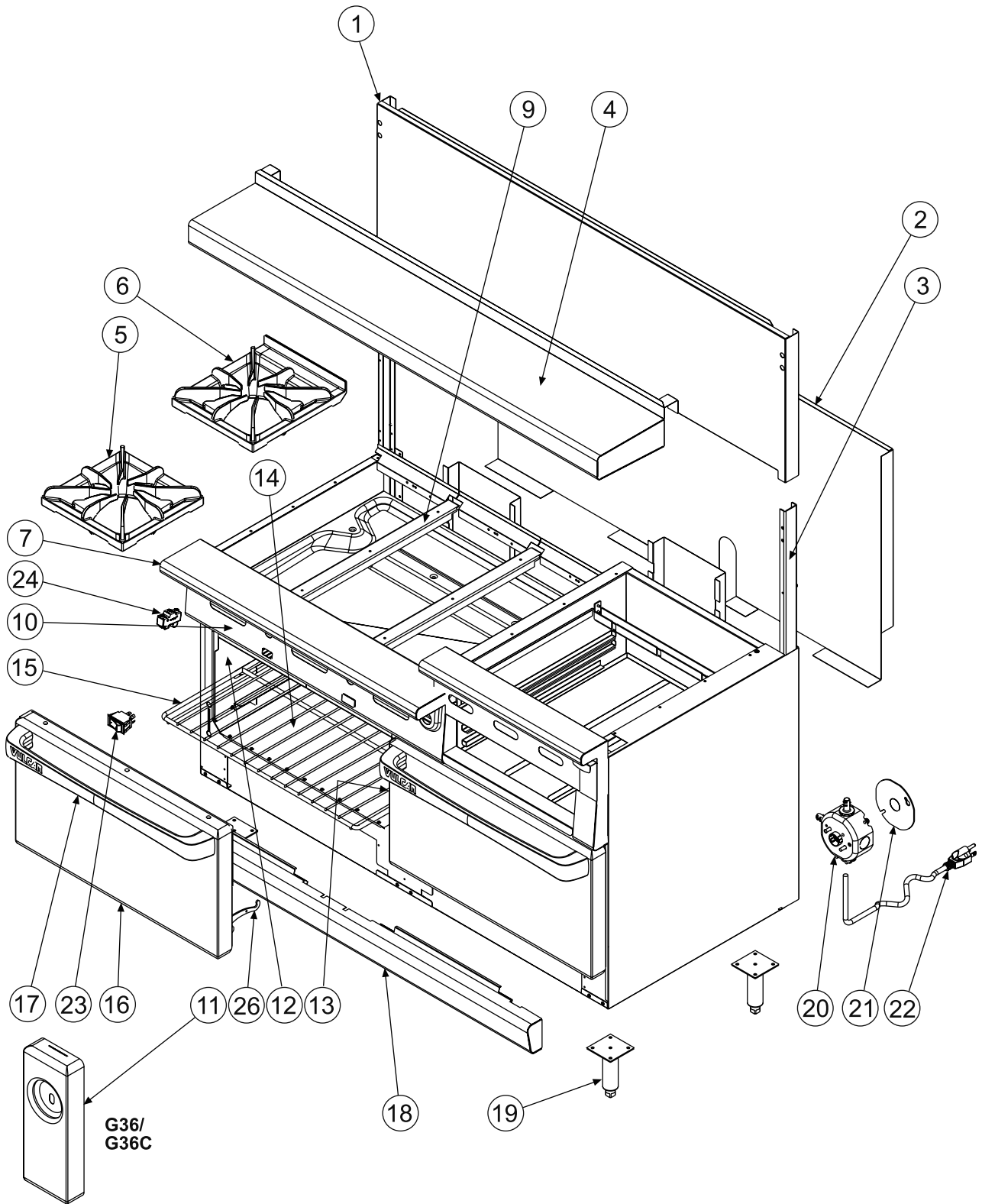


Fig. 2

OVEN BODY

OVEN BODY

ILLUS. Fig. 2	PART NO.	NAME OF PART	AMT.						
			G48	G48C	G36S	G36F,X	G60F,X	G48F	
1	00-428982-00001	Back Splash	1	1					
2	00-428981-00001	Rear Heat Shield	1	1					
3	00-428405-00001	Bayonet Channel	2	2					
4	00-428978-000G1	Plate Shelf Assy	1	1					
5	00-428879-00001	Front Grate Casting	4	4	2	1, 0	3, 2	2	
6	00-428880-00001	Rear Grate Casting	4	4	2	1, 0	3, 2	2	
7	00-429983-000G1	Front Top Assembly	1	1					
9	00-428362-00001	Grate Support	3	3	2	1, 0	3, 2	2	
10	00-428985-00001	Manifold Cover, Std. Oven	1	1					
	00-428868-00001	Manifold Cover, S Griddle			1				
	00-428859-00001	Manifold Cover, F & X Griddle				1			
	00-497232-00001	Manifold Cover, F & X Griddle, Std.					1		
	00-497239-00001	Manifold Cover, F & X Griddle, Conv.					1		
11	00-497082-00001	Manifold Cover, F & X Griddle							1
	00-497032-000G1	Oven Control Panel, Std.	1						
	00-497151-000G1	Oven Control Panel, Conv.		1					
12	00-428959-000G2	Oven Liner, Left	1						
13	00-428959-000G1	Oven Liner, Right	1						
14	00-428630-00001	Oven Bottom	1						
15	00-428499-00001	Oven Rack	1	2					
16	00-497028-000G1	Door Assembly	1	1					
17	00-428618-00001	Door Handle	1	1					
18	00-428948-000G1	Kick Panel Assembly	1	1					
19	00-413112-00012	Leg, 6" Adjustable, SST	4	4					
20	00-406734-00001	Electrical Junction Box		1					
21	00-406734-00002	Electrical Junction Box Cover		1					
22	00-405016-00001	Cord, Electrical Supply		1					
23	00-411496-000B1	Oven Switch		1					
24	00-411496-000F1	Door Limit Switch		1					
26	00-497027-00001	Door Spring Hinge, RH	1	1					
	00-497027-00002	Door Spring Hinge, LH	1	1					
*	00-497001-00001	Caster (W/O Brake)	AR	AR	AR	AR	AR	AR	
*	00-497001-00002	Caster (W/Brake)	AR	AR	AR	AR	AR	AR	
*	Not Shown								

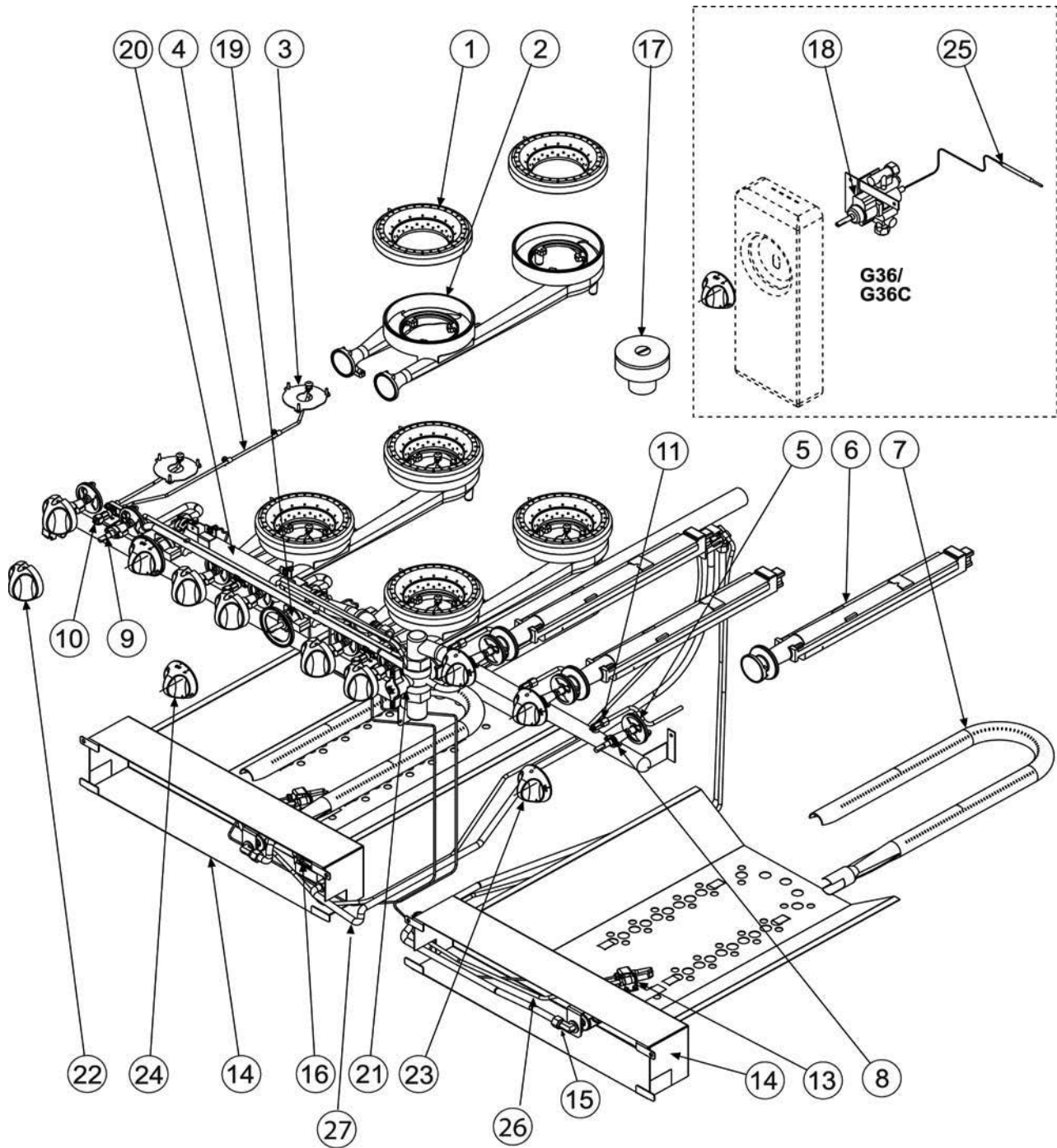


Fig. 3-A

PIPING

PIPING

ILLUS.	PART NO.	NAME OF PART	AMT.								
			G36	G36C	G60	G60C	G60CC	G260	G260C	G260CC	
1	00-428675-00001	Burner Head 6"	6		10	10	10		6	6	6
2	00-428614-00001	Venturi Casting	3	3	5	5	5		3	3	3
3	00-428719-00001	Restrictor Plate	6	6	10	10	10		6	6	6
4	00-428894-00001	Venturi Pilot Quick Disconnect	3	3	5	5	5		3	3	3
5	00-404060-00001	Air Shutter	6	6	10	10	10		9	9	9
6	00-411684-000G1	Broiler Burner							3	3	3
7	00-428495-000G1	U-Burner Assy	1	1	2	2	2		2	2	2
8	00-497240-00001	Griddle Valve							3	3	3
9	00-404076	Burner Control Valve	6	6	10	10	10		6	6	6
10	00-428904-00001	Pilot Quick Disconnect Valve	3	3	5	5	5		3	3	3
11	00-404193-00001	Broiler Pilot Valve							3	3	3
13	00-426262-00001	Oven Pilot Assembly, Natural	1	1	2	2	2		2	2	2
	00-426262-00002	Oven Pilot Assembly, Propane	1	1	2	2	2		2	2	2
14	00-428888-000G1	Burner Support Assembly	1	1	2	2	2		2	2	2
15	00-404079-0000F	Oven Burner Nozzle	1	1	2	2	2		2	2	2
16	00-497175-00001	Solenoid Valve		1			1				1
	00-497175-00002	Solenoid Valve					1			1	1
17	00-408279-00026	Regulator, 3/4" NPT (Natural)	1	1							
	00-408279-00027	Regulator, 1" NPT (Natural)			1	1	1		1	1	1
	00-408279-00021	Regulator, 3/4" NPT (Propane)	1	1							
	00-408279-00028	Regulator, 1" NPT (Propane)			1	1	1		1	1	1
18	00-428807-00001	Oven Control Valve	1	1							
	00-498150	Oven Control Valve (Propane)	1	1							
19	00-428806-00001	Oven Control Valve			2	2	2		2	2	2
	00-498149	Oven Control Valve (Propane)			2	2	2		2	2	2
20	00-497141-00001	Oven Manifold			1	1	1		1	1	1
21	00-428831-00001	Manifold Shutoff Valve (W/Knob)	1	1							
	00-497013-00001	Manifold Shutoff Valve (W/Knob)			1	1	1				
	00-497051-00001	Manifold Shutoff Valve (W/Knob)							1	1	1
22	00-428300-00001	Burner Control Knob	6	6	10	10	10		6	6	6
23	00-497246-00001	Griddle Control Knob							3	3	3
24	00-428617-00001	Oven Control Knob	1	1	2	2	2		2	2	2
25	00-412788-00004	Thermocouple	1	1							
	00-428305-00001	Thermocouple			2	2	2		2	2	2
26	00-426505-00042	Flex Tube (1/4" X 42")	1	1							
27	00-426508-00008	Flex Tube (7/16" X 8")		1		1				1	
	00-426508-00030	Flex Tube (7/16" X 30")		1							
	00-426508-00036	Flex Tube (7/16" X 36")	1	1							
*	00-498124-000G1	Flex Tube Assy. (60/260 Top)			1	1	1		1	1	1
*	00-498125-000G1	Flex Tube Assy. (60/260 Rear)			1	1	1		1	1	1

* Assembly Contains the Oven Pilot and Oven Burner Flex Tubing

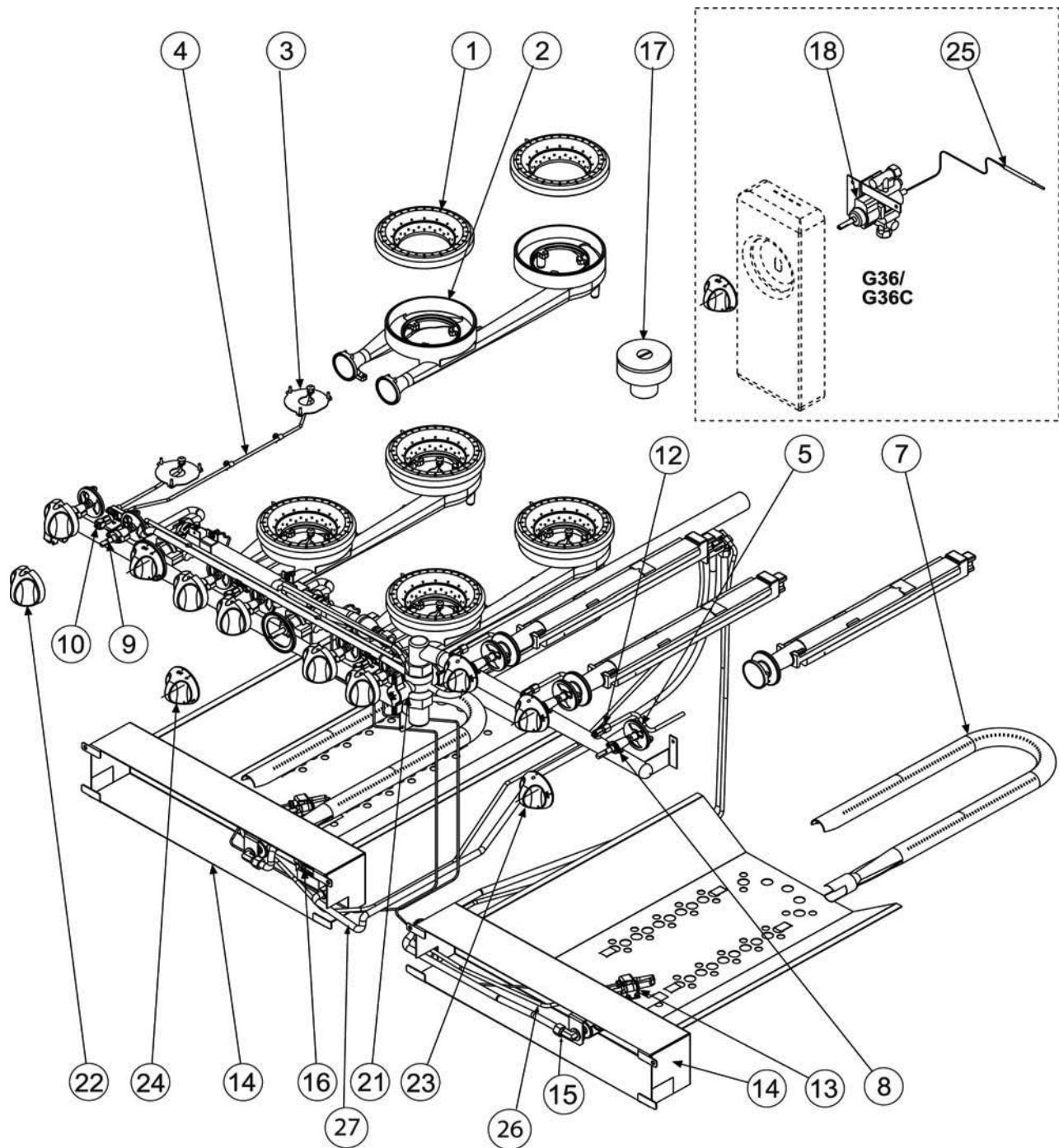


Fig. 4-A

PIPING

PIPING

ILLUS. Fig. 4-A	PART NO.	NAME OF PART	AMT.					
			G48	G48C	G36S	G36F,X	G60F,X	G48F
1	00-428675-00001	Burner Head 6"	8	8	4	2, 0	6, 4	4
2	00-428614-00001	Venturi Casting	4	4	2	1, 0	3, 2	2
3	00-428719-00001	Restrictor Plate	8	8	4	2, 0	6, 4	4
4	00-428894-00001	Venturi Pilot Quick Disconnect	4	4	4	1, 0	6, 2	2
5	00-404060-00001	Air Shutter	8	8	4	2, 0	6, 4	4
7	00-428495-000G1	U-Burner Assy	1	1	1	1	2	1
8	00-497240-00001	Griddle Valve			1	2, 3	2, 3	2
9	00-404076	Burner Control Valve	8	8	4	2, 0	8, 6	4
10	00-428904-00001	Pilot Quick Disconnect Valve	4	4	2	1, 0	4, 3	2
12	00-404193-00002	Griddle Pilot Valve			1	2, 3	2, 3	2
13	00-426262-00001	Oven Pilot Assembly, Natural	1	1				
	00-426262-00002	Oven Pilot Assembly, Propane	1	1				
14	00-428888-000G1	Burner Support Assembly	1	1				
15	00-404079-0000F	Oven Burner Nozzle	1	1				
16	00-497175-00001	Solenoid Valve		1				
17	00-408279-00027	Regulator, 1" NPT, Natural	1	1				
	00-408279-00028	Regulator, 1" NPT, Propane	1	1				
18	00-428807-00001	Oven Control Valve	1	1				
	00-498150	Oven Control Valve, Propane	1	1				
21	00-497013-00001	Manifold Shutoff Valve	1	1				
22	00-428300-00001	Burner Control Knob	8	8	4	2, 0	8, 6	4
23	00-497246-00001	Griddle Control Knob			1	2, 3	2, 3	2
24	00-428617-00001	Oven Control Knob	1	1				
25	00-412788-00004	Thermocouple	1	1	1	1, 1		1
	00-428305-00001	Thermocouple					2, 2	
26	00-426505-00042	Flex Tube (1/4" X 42")	1	1	1	1, 1		1
27	00-426508-00036	Flex Tube (7/16" X 36")	1		1	1, 1		1
	00-426508-00065	Flex Tube (7/16" X 65")	1	1				
	00-426508-00030	Flex Tube (7/16" X 30")		1				
	00-426508-00008	Flex Tube (7/16" X 8")		1				
*	00-498124-000G1	Flex Tube Assy. (60/260 Top)					1, 1	
*	00-498125-000G1	Flex Tube Assy. (60/260 Rear)					1, 1	
*	Assembly Contains Oven Pilot and Oven Burner Flex Tubing							

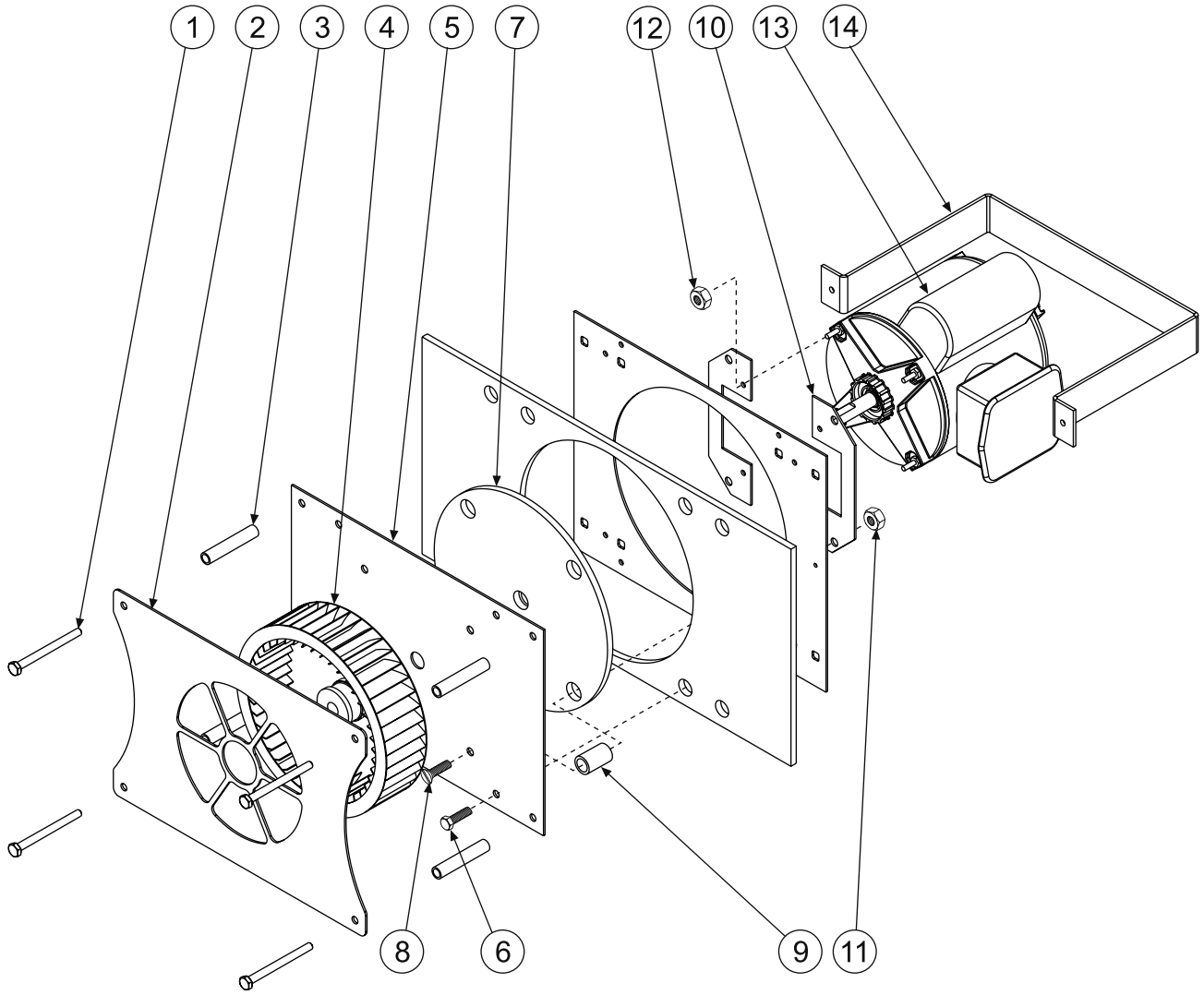


Fig. 5

CONVECTION OVEN VENT MOTOR

CONVECTION OVEN VENT MOTOR

ILLUS. Fig. 5	PART NO.	NAME OF PART	AMT.					
			G36C	G60C	G60CC	G260C	G260CC	G48C
1	SC-113-05	Bolt, Hex Head, 1/4-20 x 3"	4	4	8	4	8	4
2	00-428960-00001	Motor Grate	1	1	2	1	2	1
3	00-411289-00003	Spacer	4	4	8	4	8	4
4	00-415780-00008	Rotor Blower	1	1	2	1	2	1
5	00-428343-00001	Motor Mounting Plate	1	1	2	1	2	1
6	SD-036-92	Bolt, Hex Head	4	4	8	4	8	4
7	00-414367-00001	Insulation	1	1	2	1	2	1
8	SC-121-01	Flat Head, 1/4-20	4	4	8	4	8	4
9	00-412630-00002	Spacer	4	4	8	4	8	4
10	00-419719-00002	Motor Mounting Bracket	2	2	4	2	4	2
11	NS-047-72	Hex Nut, 1/4-20	4	4	8	4	8	4
12	NS-044-07	Nut	4	4	8	4	8	4
13	00-419730-00001	Motor, 1/6 HP	1	1	2	1	2	1
14	00-428347-00001	Motor Guard	1	1	2	1	2	1

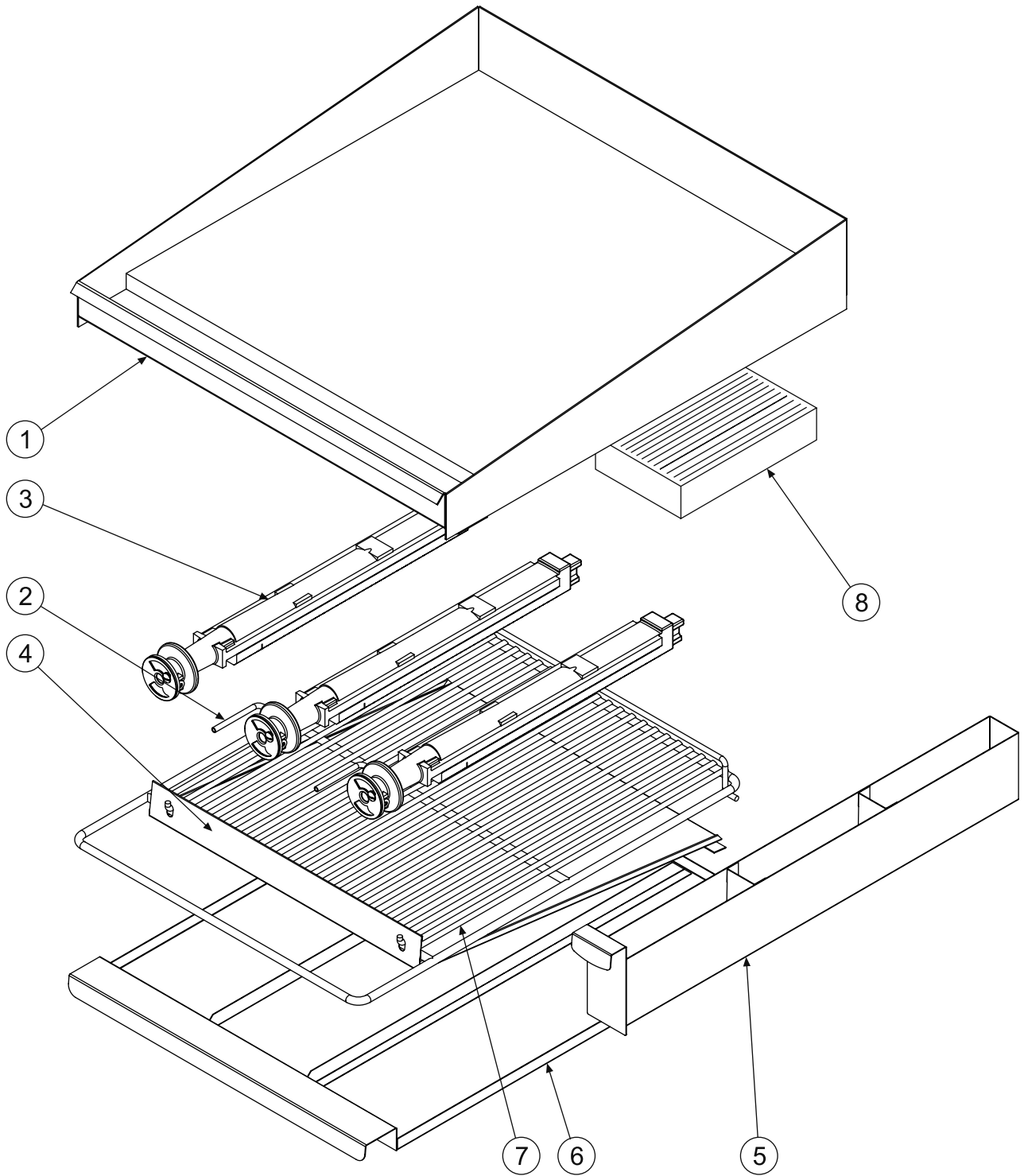


Fig. 6

BROILER GRIDDLE ASSEMBLY

BROILER GRIDDLE ASSEMBLY

ILLUS. Fig. 6	PART NO.	NAME OF PART	AMT.
			G260
1	00-428593-000G1	Griddle Plate Assy	1
2	00-497062-000G1	Broiler Pilot Tube Assembly	3
3	00-411684-000G1	Broiler Burner	3
4	00-417669-000G1	Broiler Drip Tray	1
5	00-428802-000G1	Grease Drawer	1
6	00-428798-000G1	Broiler Drip Drawer	1
7	00-417632-00001	Broiler Grate	1
8	00-408726-000G6	Broiler Brick Set	1

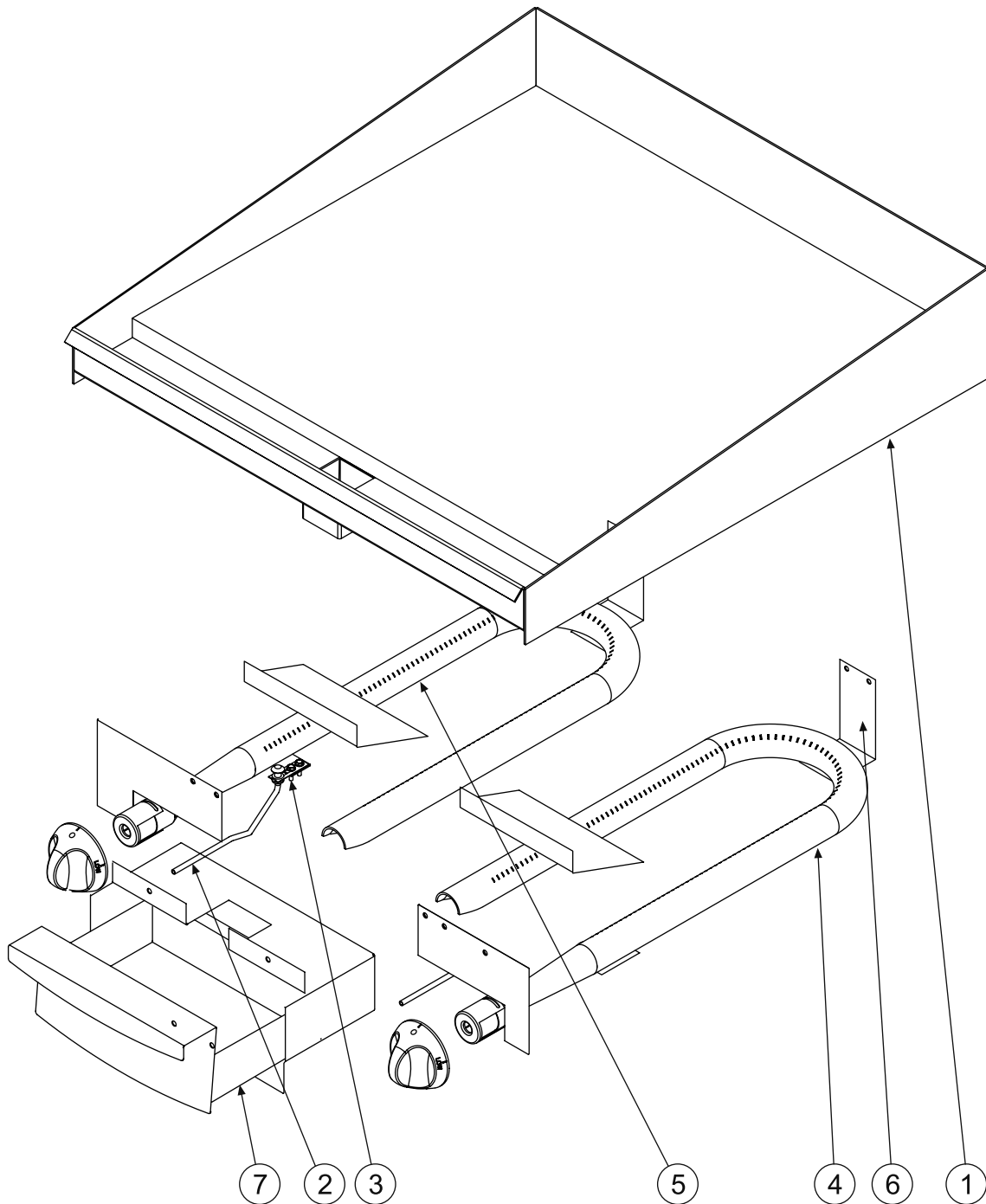


Fig. 7

GRIDDLE ASSEMBLY

GRIDDLE ASSEMBLY

ILLUS. Fig. 7	PART NO.	NAME OF PART	AMT.					
			G36S	G36F	G36X	G60F	G60X	G48F
1	00-428921-000G1	Griddle Plate Assembly 12"	1					
	00-428922-000G1	Griddle Plate Assembly 24"		1		1		1
	00-428927-000G1	Griddle Plate Assembly 36"			1		1	
2	00-428915-00001	Pilot Tube Assembly	1	2	3	2	3	2
3	00-413302-00001	Pilot Mounting Clip	1	2	3	2	3	2
4	00-428857-000G1	Burner Griddle, RH	1	1	1	1	2	1
5	00-428857-000G2	Burner Griddle, LH		1	2	1	1	1
6	00-428646-00001	Burner Mounting Bracket	1	2	3	2	3	2
7	00-428871-000G1	Grease Drawer	1					
	00-428862-000G1	Grease Drawer		1	1	1	1	1

RECOMMENDED SPARE PARTS

PART NO.	NAME OF PART	AMT.
00-428879-00001	Front Grate	2
00-428880-00001	Rear Grate	2
00-497027-00001	RH Door Spring Hinge	2
00-497027-00002	LH Door Spring Hinge	2
00-428675-00001	Burner Head	2
00-428719-00001	Restrictor Plate	2
00-428495-000G1	Oven Burner	2
00-497240-00001	Griddle Valve	2
00-428894-00001	Pilot Quick Disconnect Valve	2
00-497175-00001	Solenoid Valve	2
00-497175-00002	Solenoid Valve	2
00-408279-00026	Regulator (3/4) (Natural)	1
00-408279-00021	Regulator (3/4) (LP)	1
00-408279-00028	Regulator (1") (LP)	1
00-408279-00027	Regulator (1") (Natural)	1
00-428807-00001	Oven Control Valve (Natural) (Single Oven)	2
00-428806-00001	Oven Control Valve (Natural) (Double Oven)	2
00-498150	Oven Control Valve (LP) (Single Oven)	2
00-498149	Oven Control Valve (LP) (Double Oven)	2
00-428300-00001	Burner Knob	2
00-428617-00001	Oven Knob	2
00-428915-00001	Pilot Tube Assy.	2
00-411496-000F1	Door Limit Switch (G36LC Only)	2
00-411496-000F7	Door Limit Switch (All Convection Models Except G36LC)	2
00-411496-000B1	Oven Switch	2
00-497246-00001	Griddle Knob	2
00-428614-00001	Burner Venturi	2
00-412788-00004	Thermocouple (48")	2
00-428305-00001	Thermocouple (72")	2
00-426262-00001	Oven Pilot Assy. (Natural)	2
00-426262-00002	Oven Pilot Assy. (LP)	2
00-428857-000G1	RH Griddle Burner	2
00-428857-000G2	LH Griddle Burner	2