

VULCAN

CATALOG OF REPLACEMENT PARTS

HEAVY DUTY RANGES GH, GHM AND GHX SERIES

ML NUMBERS

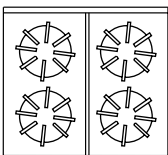
ML-52141 thru ML-52160
ML-52165 thru ML-52196
ML-52217 thru ML-52224
ML-126402 thru ML-126409



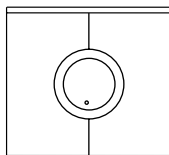
For additional information on Vulcan-Hart or to locate an authorized parts and service provider in your area, visit our website at www.vulcanhart.com

Table of Contents

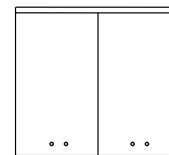
Page	Description
3	Gas Range Configurations
7	GH30/30C, GHM30/30C
10	GH45/GHM45
13	GH72/GHM72
16	GH6/GHM6
19	GH56/GHM56, GH56S
22	GH3/72, GH3/72C, GH3/72S, GHM3/72
25	GH60/GH60T, GHM60/GHM60T
28	GH60/72, GH60T/72, GHM60/72, GHM60T72
31	GH72/45, GHM72/45
34	GH60/45, GH60T/45, GHM60T/45, GH6045C, GH6T45C
37	GH45/72, GHM45/72
40	Convection Oven Parts
43	GHX45/GHXM45
45	GHX72/GHXM72
47	GHX60/GHXM60, GHX60T/GHXM60T
49	Oven Racks and Supports
50	Recommended Spare Parts



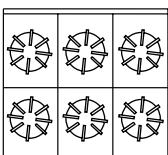
GH45
GH45C



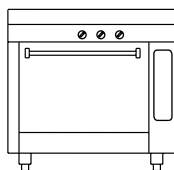
GH30
GH30C



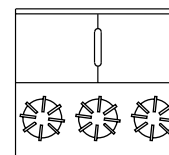
GH72
GH72C



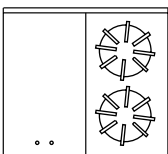
GH6
GH6C



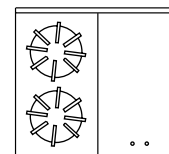
GH MODELS
FULL BODY
34" WIDE



GH3/72
GH3/72C



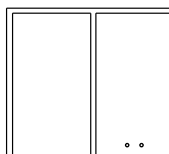
GH72/45
GH72/45C



GH45/72
GH45/72C

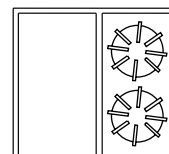


GH60/GH60T
GH60/GH60TC

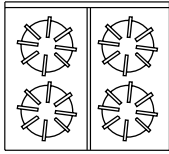


GH60/72/GH60T72
GH60/72/GH60T72C

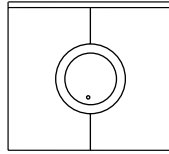
PL-55000



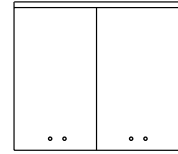
GH60/45/GH60T/45
GH60/45/GH60T/45C



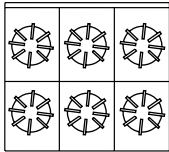
GHM45



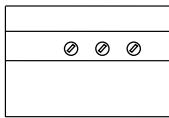
GHM30



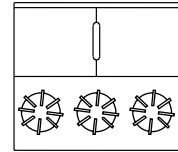
GHM72



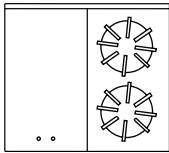
GHM6



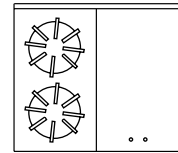
GHM MODELS



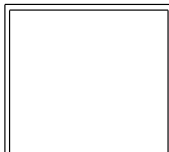
GHM3/72



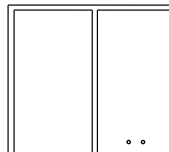
GHM72/45



GHM45/72

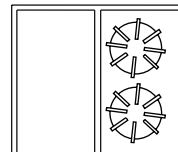


GHM60
GHM60T

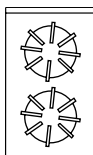


GHM60/72
GHM60T/72

PL-55001



GHM60/45
GHM60T/45



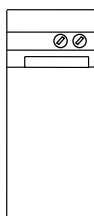
GHX45



GHX72

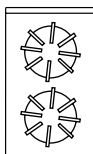


GHX60
GHX60T



GHX 18" WIDE
FULL BODY MODELS
WITH CABINET

MODEL GHXM SERIES MODULAR EXPANDO RANGES



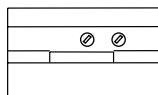
GHXM45



GHXM72



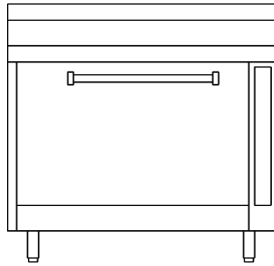
GHXM60
GHXM60T



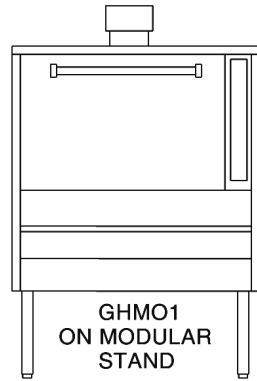
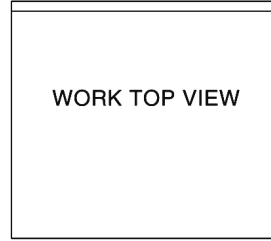
GHXM MODELS

PL-51389

GHO1
SINGLE
OVEN

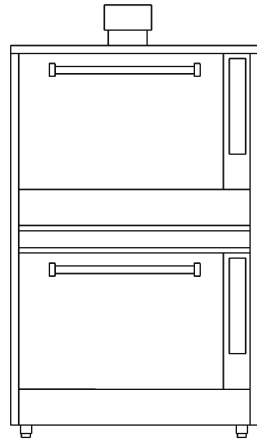


WORK TOP VIEW



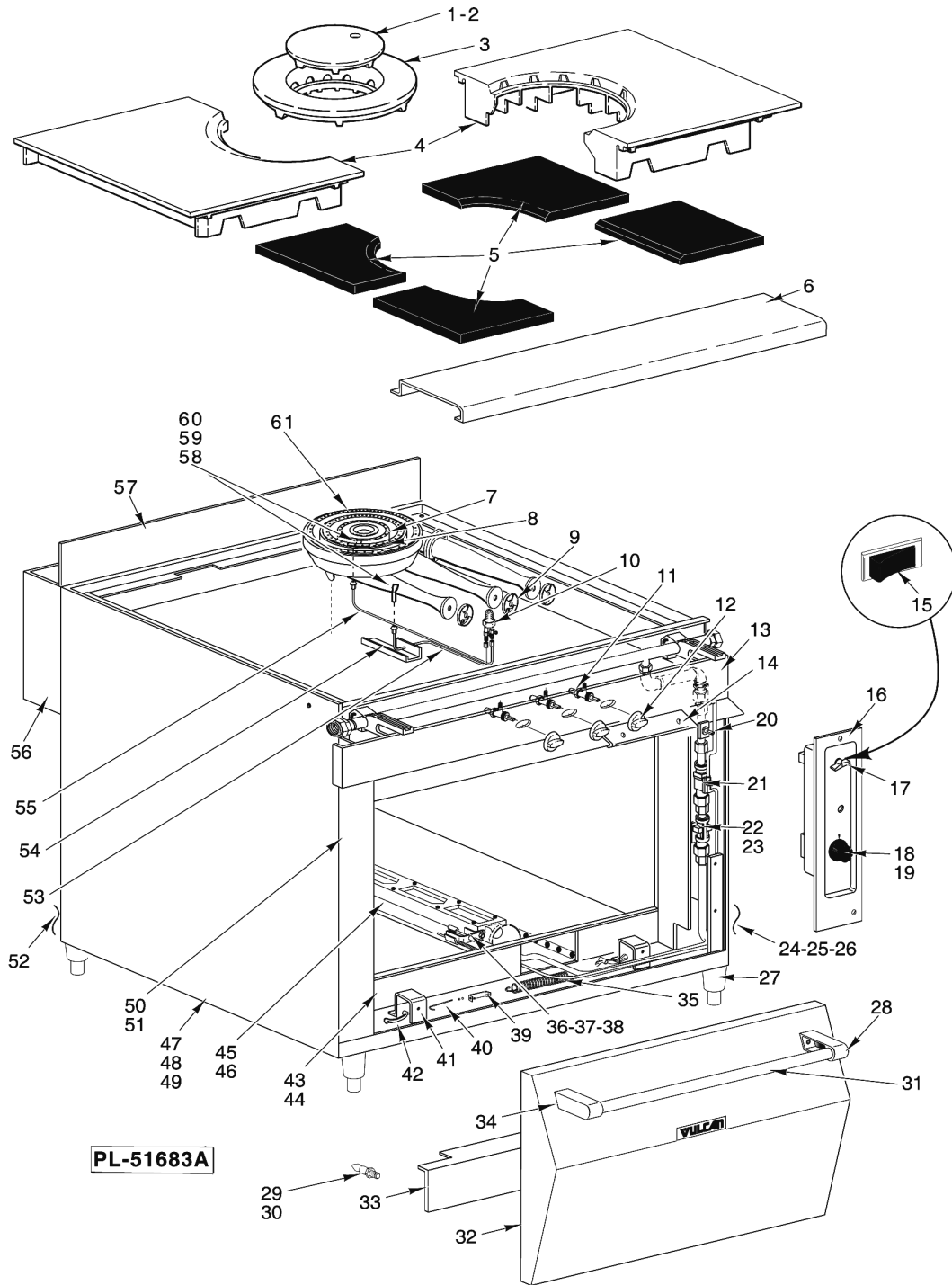
GHM01
ON MODULAR
STAND

GHO1
SINGLE
OVEN



GH02
DOUBLE
STACKED
OVEN

PL-51390



RANGE - GH30/30C, GHM30/30C

ILLUS. PL-51683A	PART NO.	NAME OF PART	AMT.
1	00-406460-00001	Lid	1
2	00-400149	Lifter - Lid (Not Shown)	1
3	00-400705-00001	Ring	1
4	00-405817-00001	Section - Top Half	2
5	00-405157-000G2	Brick Assy.	1
6	00-420664-000G2	Front Top Assy. (34" Wide)(SST)	1

RANGE - GH30/30C, GHM30/30C (CON'T.)

ILLUS. PL-51683A	PART NO.	NAME OF PART	AMT.
7	00-409414-000G1	Burner - Top Center	1
8	00-419413-000G1	Burner - Top Middle	1
9	00-404060-00002	Mixer - Air	3
10	00-420786-00001	Valve - Dual Burner	1
11	00-402601-0000F	Valve - Top Burner	3
12	00-420560-00001	Knob - Top Burner	3
13	00-409652-00002	Cover - Manifold	1
14	00-413747-00004	Handle - Burner Tray	1
15	00-411496-000B4	Switch - On/Off (Convection Oven)	1
*16	00-420774-00001	Panel - Control (Prior to September 2004)	1
	00-497126-00001	Panel - Control (Standard Oven) (September 2004 to Present)	1
*17	00-402957-00002	Handle - Gas Cock (RED)	1
*18	00-413614-00001	Knob - Thermostat (Std. Oven)	1
*19	00-413976-00001	Knob - Thermostat (Convection Oven)	1
*20	00-407789-00001	Valve - Service (Std. Oven)	1
*21	00-407798-00004	Valve - Pilot Control (Prior to September 2000)	1
	00-427083-00002	Valve - Pilot Control (Safety Valve) TS11 (September 2000 Thru August 2004)	1
	00-720719	Valve - Pilot Control (Safety Valve) BASO (September 2004 to Present)	1
*22	00-407522-00001	Thermostat (Std. Oven)	1
*23	00-411506-00003	Thermostat (Convection Oven)	1
*24	00-409704-00001	Side - Body (R.H.)(Ptd.)	1
*25	00-409704-00003	Side - Body (R.H.)(SST)	1
**26	00-408919-000G7	Body - Side (R.H.)(SST)	1
*27	00-409840-00006	Leg (SST)	1
*28	00-409790-00001	Post - Door (R.H.)	1
*29	00-421105-00001	Strike - Kick Panel	2
*30	00-421106-00001	Catch - Kick Panel	2
*31	00-409793-00001	Handle - Oven Door	1
*32	00-409791-000G2	Door Assy.	1
*33	00-420775-000G1	Burner Box Cover (Oven)	1
*34	00-409790-00002	Post - Door (L.H.)	1
*35	00-412014-00001	Spring - W/Swivel Hook	1
*36	00-409125-00001	Pilot Assy. - Burner (Nat. Gas) (.020 Dia.) (Oven Section) (Prior to September 2000)	1
	00-426262-00001	Pilot Assy. (Nat. Gas) (September 2000 to Present)	1
*37	00-409125-00002	Pilot Assy. (MFG) (.024 Dia.) (Oven Section) (Prior to September 2000)	1
	00-426262-00003	Pilot Assy. (MFG Gas) (September 2000 to Present)	1
*38	00-409125-00003	Pilot Assy. - Burner (L.P.) (.009 Dia.) (Oven Section) (Prior to September 2000)	1
	00-426262-00002	Pilot Assy. (L.P. Gas) (September 2000 to Present)	1
*39	00-413090-00001	Bracket - Spring	1
*40	00-413091-00002	Bolt - J	1
*41	00-403971-00001	Pin - Bell Crank	2
*42	00-403956-00001	Crank - Bell	2
*43	00-420779-000G1	Front Frame Assy. (Std. Oven)	1
*44	00-421104-000G1	Front Frame Assy. (Convection Oven)	1
*45	00-409819-000G2	Burner Assy. (Lower)(Std. Oven)	1
*46	00-413957-000G1	Oven Burner Assy. (Convection Oven)	1
*47	00-409704-00002	Body - Side (L.H.)(Ptd.)	1
*48	00-409704-00004	Body - Side (L.H.)(SST)	1
**49	00-408919-000G8	Body - Side (L.H.)(SST)	1
*50	00-420773-00001	Cover - Front (L.H.) W/O Hole	1
*51	00-420773-00002	Cover - Front (L.H.) W/Hole	1
*52	00-409705-00001	Body - Back (Aluminum)	1
53	00-409884-00001	Tube - Pilot (Front)	1
54	00-409807-00001	Bracket - Pilot	1
55	00-409809-00002	Tube - Pilot (Rear)	1
56	00-409638-00001	Box - Flue (Aluminum)	1
57	00-409649-00001	Back - Top	1
58	00-409839-00001	Burner - Pilot (Nat.)	1
59	00-409839-00002	Burner - Pilot (MFG.)	1
60	00-409839-00003	Burner - Pilot (LP)	1
61	00-409412-000G1	Burner - Top Outer	1

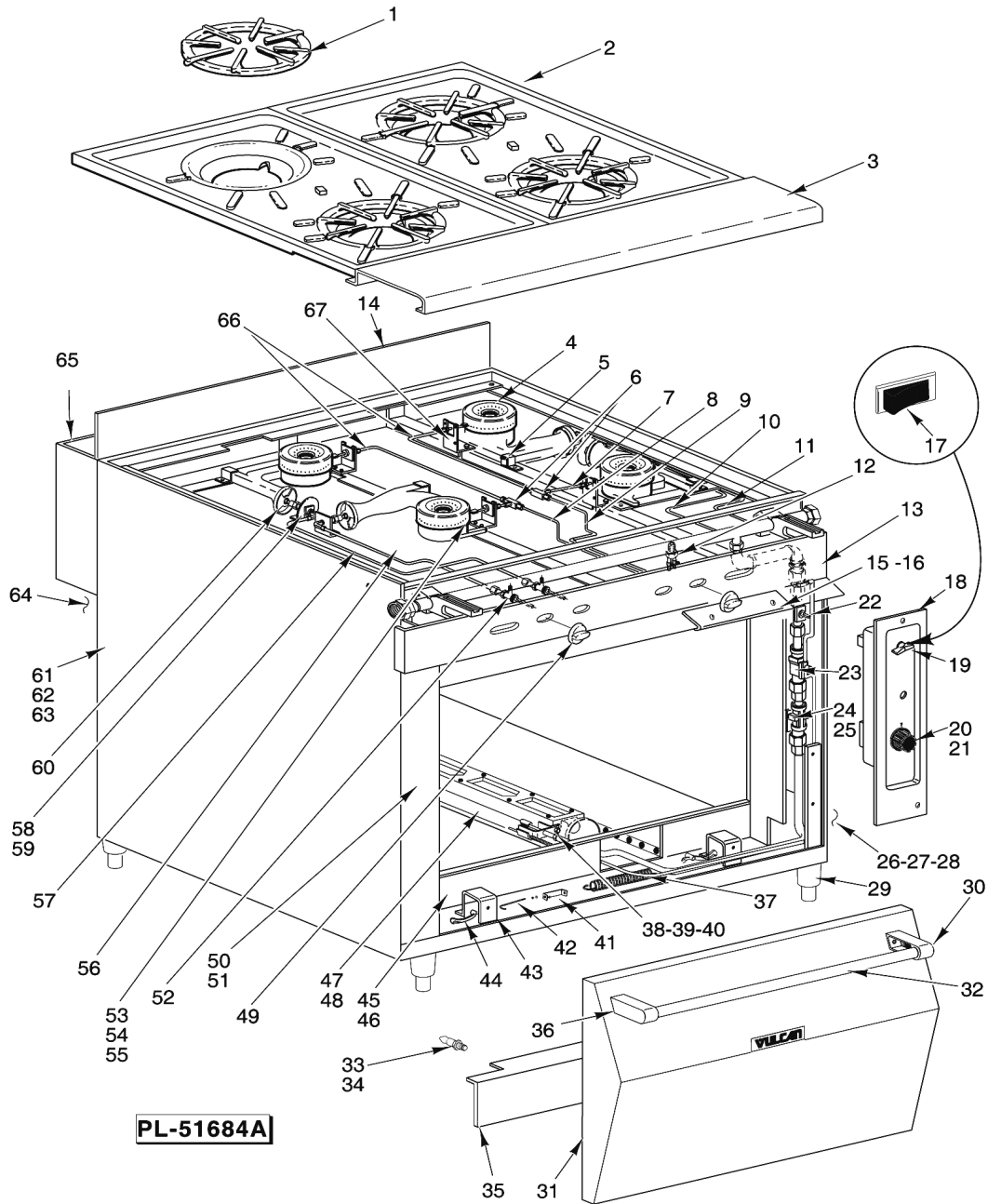
*GH Models Only.

**GHM Models Only.

RANGE - GH30/30C, GHM30/30C (CON'T.)

ILLUS. PL-51683A	PART NO.	NAME OF PART	AMT.
	00-405156-000G1	Aeration Plate Assy. (Under Bricks)	1
	00-405881-00001	Bracket - Front Manifold	2
	00-405880-00001	Bracket - Rear Manifold	2
	00-404629-00002	Bushing - Door Hinge Pin	2
	00-405618-00001	Door Hook - LH	1
	00-405618-00002	Door Hook - RH	1
	00-409675-00001	Burner Closure - Standard Oven	1
	00-420778-00001	Catch Bracket - Kick Panel	2
	00-412788-00002	Thermocouple - TS11	1
	00-412788-00004	Thermocouple - BASO	1
	00-497002-00001	Caster, Swivel	2
	00-497002-00002	Caster, W/Brake	2
	00-413966-00004	Overlay, Control Panel - Standard Oven (Prior to September 2004)	1
	00-497127-00001	Overlay, Control Panel - Standard Oven (September 2004 to Present)	1
	00-415677-00001	Capillary Clip (Oven Thermostat)	1
	00-407522-00006	Thermostat (650 Degree) ("Lobster" Oven)	1
	00-412527-00001	Knob - Thermostat (650 Degree)	1
	00-419810-00001	Plate (Replaces Oven Bottom Assy. for "Lobster" Oven)	1
	00-413746-00001	Bracket - Burner/Drip Tray Handle	2

HEAVY DUTY RANGES - GH, GHM AND GHX SERIES REPLACEMENT PARTS



RANGE - GH45/GHM45

ILLUS.	PART	NAME OF PART	AMT.
PL-51684A	NO.		
1	00-409432-00001	Grate - Cast Iron	4
2	00-409433-00001	Plate - Top Cast Iron	4
3	00-420664-000G2	Front Top Assy. (34" Wide)(SST)	1
4	00-409417-00001	Burner Head	4
	00-409416-000G1	Bottom Burner Casting	4
5	00-415044-00001	Clip - Burner	4
6	FP-081-74	Tee 1/4 x 1/4 x 1/4	2
7	00-415003-00001	Tube - Pilot Extension	2
8	00-414994-00001	Tube - Pilot (Tube Tee to Valve)(L.H.)	1
9	00-414994-00002	Tube - Pilot (Tube Tee to Valve)(R.H.)	1
10	00-409871-00001	Tube - Burner (Short)(R.H.)	1
11	00-409805-00001	Tube - Burner (Long)(R.H.)	1

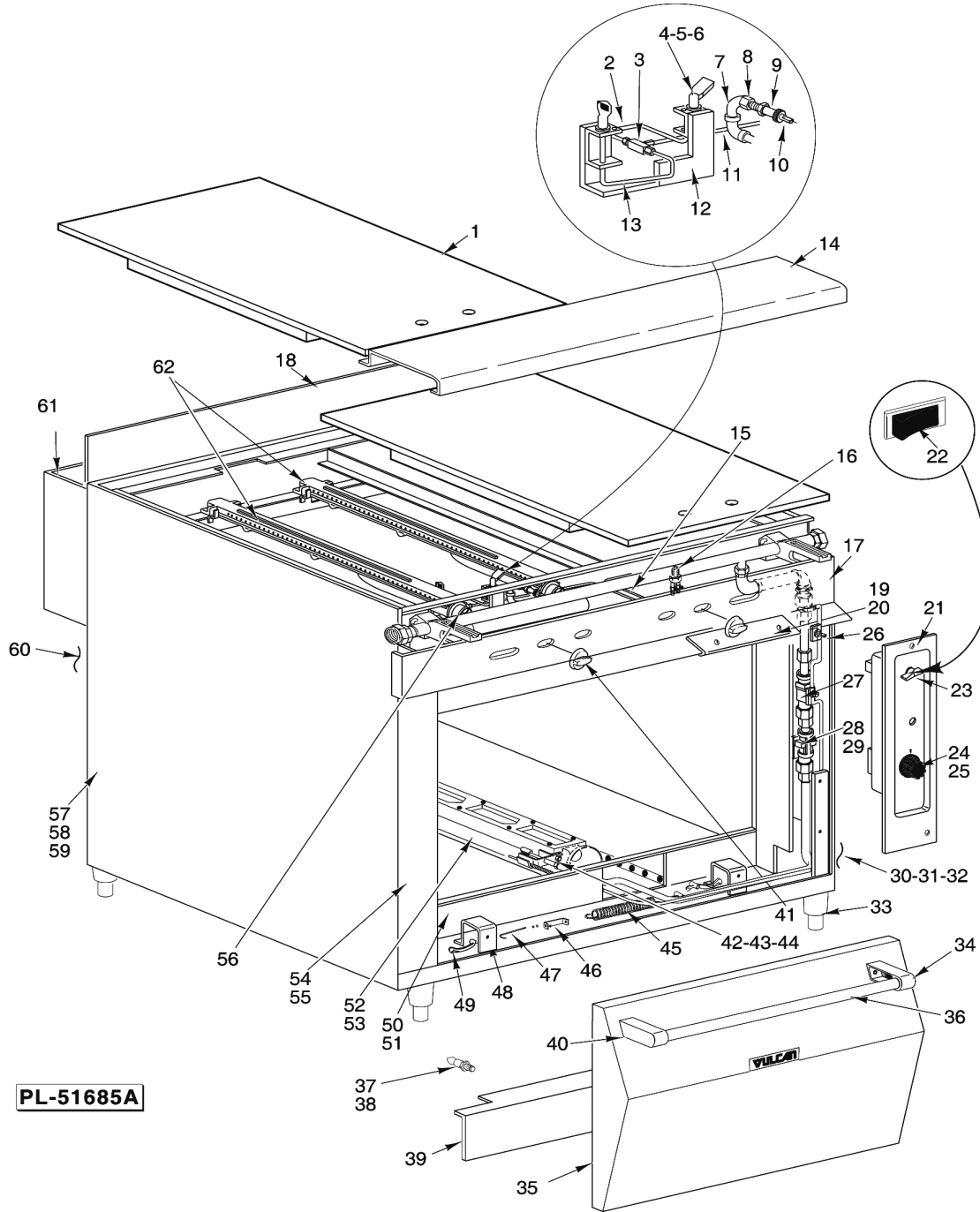
RANGE - GH45/GHM45 (CON'T.)

ILLUS. PL-51684A	PART NO.	NAME OF PART	AMT.
12	00-420786-00001	Valve - Dual Burner	1
13	00-413750-00002	Cover - Manifold	1
14	00-409650-00001	Back - Top	1
15	00-409888-00007	Drip Tray Assy.....	1
16	00-413747-00002	Burner Tray Handle	1
*17	00-411496-000B4	Switch - On/Off (Convection Oven)	1
*18	00-420774-00001	Panel - Control (Prior to September 2004)	1
	00-497126-00001	Panel - Control (Standard Oven) (September 2004 to Present)	1
*19	00-402957-00002	Handle - Gas Cock (RED)	1
*20	00-413614-00001	Knob - Thermostat (Std. Oven)	1
*21	00-413976-00001	Knob - Thermostat (Convection Oven)	1
*22	00-407789-00001	Valve - Service (Std. Oven)	1
*23	00-407798-00004	Valve - Pilot Control (Prior to September 2000)	1
	00-427083-00002	Valve - Pilot Control (Safety Valve) TS11 (September 2000 Thru August 2004)	1
	00-720719	Valve - Pilot Control (Safety Valve) BASO (September 2004 to Present)	1
*24	00-407522-00001	Thermostat (Std. Oven)	1
*25	00-411506-00003	Thermostat (Convection Oven)	1
*26	00-409704-00001	Side - Body (R.H.)(Ptd.)	1
*27	00-409704-00003	Side - Body (R.H.)(SST).....	1
**28	00-408919-000G7	Body - Side (R.H.)(SST).....	1
*29	00-409840-00006	Leg (SST)	4
*30	00-409790-00001	Post - Door (R.H.)	1
*31	00-409791-000G2	Door Assy.	1
*32	00-409793-00001	Handle - Oven Door	1
*33	00-421105-00001	Strike - Kick Panel	2
*34	00-421106-00001	Catch - Kick Panel	2
*35	00-420775-000G1	Burner Box Cover (Oven)	1
*36	00-409790-00002	Post - Door (L.H.)	1
*37	00-412014-00001	Spring - W/Swivel Hook	1
*38	00-409125-00001	Pilot Assy. - Burner (Nat. Gas) (.020 Dia.) (Oven Section)(Prior to September 2000)	1
	00-426262-00001	Pilot Assy. (Nat. Gas) (September 2000 to Present)	1
*39	00-409125-00002	Pilot Assy. - Burner (MFG) (Butane)(.024 Dia.) (Oven Section) (Prior to September 2000)	1
	00-426262-00003	Pilot Assy. (MFG Gas) (September 2000 to Present)	1
*40	00-409125-00003	Pilot Assy. - Burner (L.P. Gas) (.009 Dia.) (Oven Section) (Prior to September 2000)	1
	00-426262-00002	Pilot Assy. (L.P. Gas) (September 2000 to Present)	1
*41	00-413090-00001	Bracket - Spring	1
*42	00-413091-00002	Bolt - J	1
*43	00-403971-00001	Pin - Bell Crank	2
*44	00-403956-00001	Crank - Bell	2
*45	00-420779-000G1	Front Frame Assy. (Std. Oven)	1
*46	00-421104-000G1	Front Frame Assy. (Convection Oven)	1
*47	00-409819-000G2	Burner Assy. (Lower)(Std. Oven)	1
*48	00-413957-000G1	Oven Burner Assy. (Convection Oven)	1
49	00-420560-00001	Knob - Top Burner	4
*50	00-420773-00001	Cover - Front (L.H.) W/O Hole	1
*51	00-420773-00002	Cover - Front (L.H.) W/Hole	1
52	00-408379-00004	Valve - Burner (Top)	4
53	00-409125-00010	Pilot Assy. (Nat.) (.020 Dia.)	4
54	00-409125-00012	Pilot Assy. (LP) (.009 Dia.)	4
55	00-409125-00011	Pilot Assy.(MFG.) (.024 Dia.)	4
56	00-409870-00001	Tube - Burner (Short)(L.H.)	1
57	00-409806-00001	Tube - Burner (Long)(L.H.)	1
58	00-404079-0000F	Nozzle - Burner	4
59	00-010901-00040	Orifice - (Nat. Gas)	4
	00-010901-00052	Orifice - (L.P. Gas)	4
	00-010901-00029	Orifice - (MFG Gas)	4
	00-404060-00003	Mixer - Air	4
*61	00-409704-00002	Body - Side (L.H.)(Ptd.)	1
*62	00-409704-00004	Body - Side (L.H.)(SST)	1
**63	00-408919-000G8	Body - Side (L.H.)(SST)	1
*64	00-409705-00001	Body - Back (Aluminum)	1

*GH Models Only.
**GHM Models Only.

RANGE - GH45/GHM45 (CON'T.)

ILLUS. PL-51684A	PART NO.	NAME OF PART	AMT.
65	00-409638-00001	Box - Flue (Aluminum)	1
66	00-414993-00001	Tube - Pilot (Tee to Pilot)	2
67	00-409807-00001	Bracket - Pilot	4
	00-405881-00001	Bracket - Front Manifold	2
	00-405880-00001	Bracket - Rear Manifold	2
	00-404629-00002	Bushing - Door Hinge Pin	2
	00-405618-00001	Door Hook - LH	1
	00-405618-00002	Door Hook - RH	1
	00-409675-00001	Burner Closure - Standard Oven	1
	00-420778-00001	Catch Bracket - Kick Panel	2
	00-412788-00002	Thermocouple - TS11	1
	00-412788-00004	Thermocouple - BASO	1
	00-497002-00001	Caster, Swivel	2
	00-497002-00002	Caster, W/Brake	2
	00-413966-00004	Overlay, Control Panel - Standard Oven (Prior to September 2004)	1
	00-497127-00001	Overlay, Control Panel - Standard Oven (September 2004 to Present)	1
	00-415677-00001	Capillary Clip (Oven Thermostat)	1
	00-407522-00006	Thermostat (650 Degree) ("Lobster" Oven)	1
	00-412527-00001	Knob - Thermostat (650 Degree)	1
	00-419810-00001	Plate (Replaces Oven Bottom Assy. for "Lobster" Oven)	1
	00-413746-00001	Bracket - Burner/Drip Tray Handle	2



RANGE - GH72/GHM72

ILLUS.	PART NO.	NAME OF PART	AMT.
1	00-404772-00001	Top - Even Heat	2
2	00-409816-00002	Tubing - (Tee to R.H. Pilot)	2
3	FP-081-74	Tee 1/4 x 1/4 x 1/4	2
4	00-409839-00001	Burner - Pilot (Nat.)	4
5	00-409839-00002	Burner - Pilot (MFG.)	4
6	00-409839-00003	Burner - Pilot (LP)	4
7	FP-078-75	Elbow - Pipe 3/8 x 90 Deg.	4

RANGE - GH72/GHM72 (CON'T.)

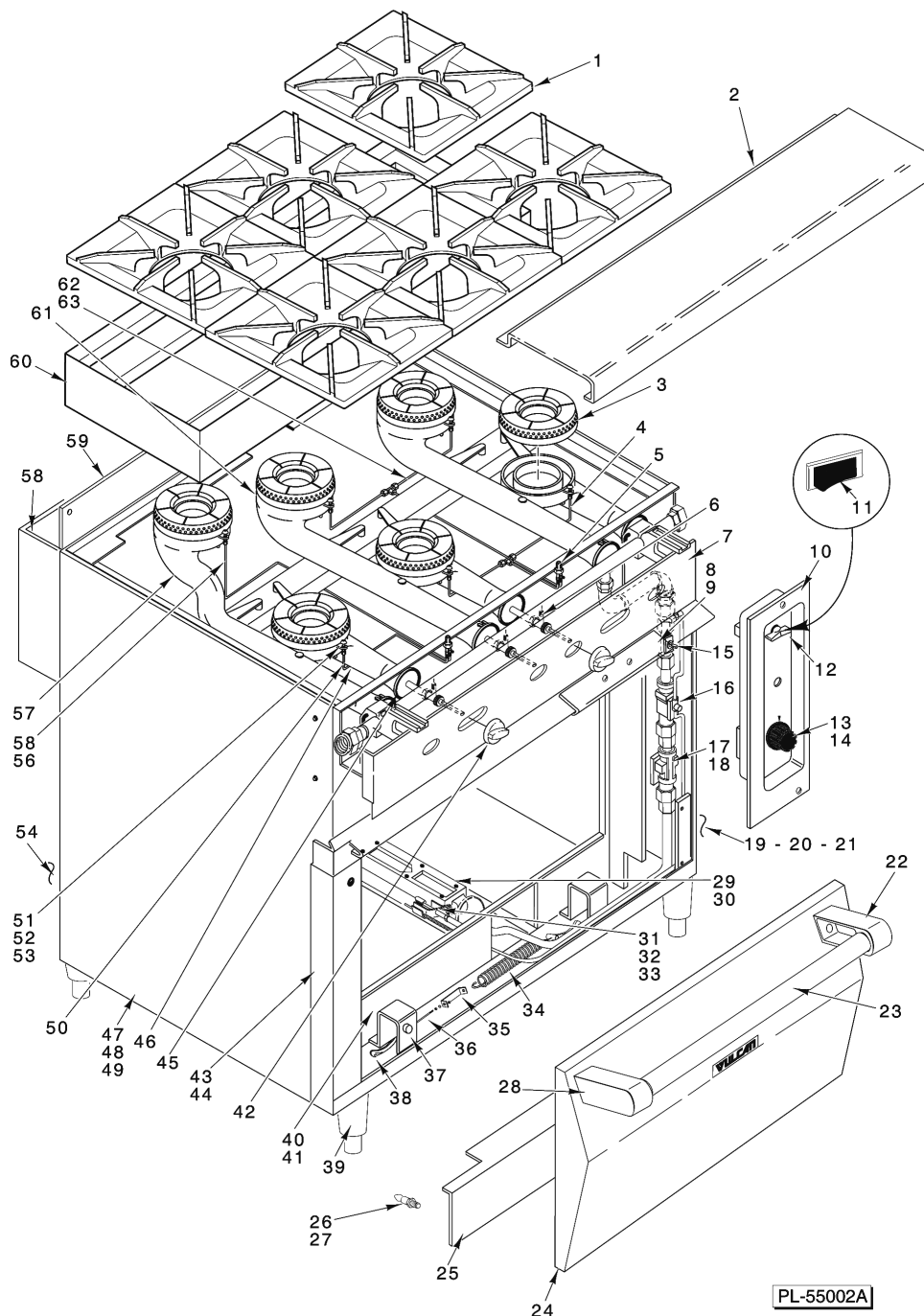
ILLUS. PL-51685A	PART NO.	NAME OF PART	AMT.
8	FP-086-07	Fitting - Tube (7/16 Tube to 3/8 FPT)	2
9	00-414624-00002	Tube 7/16 (Valve to Elbow)	2
10	00-408379-00004	Valve - Burner (Top)	2
11	00-409815-00001	Tubing - Pilot (L.H.)(Tee to Manifold)	2
12	00-409813-00001	Support - Pilot (Top)	2
13	00-414824-00001	Tubing - Pilot (L.H.)	2
14	00-420664-000G2	Front Top Assy. (34" Wide)(SST)	1
15	00-409815-00002	Tubing - Pilot (R.H.)	1
16	00-420786-00001	Valve - Dual Burner	1
17	00-409808-00004	Cover - Manifold	1
18	00-409650-00002	Back - Top	1
19	00-409888-00009	Burner Tray Assy.	1
20	00-413747-00004	Handle - Burner Tray	1
*21	00-420774-00001	Panel - Control (Prior to September 2004)	1
	00-497126-00001	Panel - Control (Standard Oven) (September 2004 to Present)	1
*22	00-411496-000B4	Switch - On/Off (Convection Oven)	1
*23	00-402957-00002	Handle - Gas Cock (RED)	1
*24	00-413614-00001	Knob - Thermostat (Std. Oven)	1
*25	00-413976-00001	Knob - Thermostat (Convection Oven)	1
*26	00-407789-00001	Valve - Service (Std. Oven)	1
*27	00-407798-00004	Valve - Pilot Control (Prior to September 2000)	1
	00-427083-00002	Valve - Pilot Control (Safety Valve) TS11 (September 2000 Thru August 2004)	1
	00-720719	Valve - Pilot Control (Safety Valve) BASO (September 2004 to Present)	1
*28	00-407522-00001	Thermostat (Std. Oven)	1
*29	00-411506-00003	Thermostat (Convection Oven)	1
*30	00-409704-00001	Side - Body (R.H.)(Ptd.)	1
*31	00-409704-00003	Side - Body (R.H.)(SST)	1
**32	00-408919-000G7	Body - Side (R.H.)(SST)	1
*33	00-409840-00006	Leg (SST)	4
*34	00-409790-00001	Post - Door (R.H.)	1
*35	00-409791-000G2	Door Assy.	1
*36	00-409793-00001	Handle - Oven Door	1
*37	00-421105-00001	Strike - Kick Panel	2
*38	00-421106-00001	Catch - Kick Panel	2
*39	00-420775-000G1	Burner Box Cover (Oven)	1
*40	00-409790-00002	Post - Door (L.H.)	1
41	00-420560-00001	Knob - Top Burner	2
*42	00-409125-00001	Pilot Assy. - Burner (Nat. Gas) (.020 Dia.) (Oven Section) (Prior to September 2000)	1
	00-426262-00001	Pilot Assy. (Nat. Gas) (September 2000 to Present)	1
*43	00-409125-00002	Pilot Assy. (MFG) (.024 Dia.) (Oven Section) (Prior to September 2000)	1
	00-426262-00003	Pilot Assy. (MFG Gas) (September 2000 to Present)	1
*44	00-409125-00003	Pilot Assy. - Burner (L.P.) (.009 Dia.) (Oven Section) (Prior to September 2000)	1
	00-426262-00002	Pilot Assy. (L.P. Gas) (September 2000 to Present)	1
*45	00-412014-00001	Spring - W/Swivel Hook	1
*46	00-413090-00001	Bracket - Spring	1
*47	00-413091-00002	Bolt - J	1
*48	00-403971-00001	Pin - Bell Crank	2
*49	00-403956-00001	Crank - Bell	2
*50	00-420779-000G1	Front Frame Assy. (Std. Oven)	1
*51	00-421104-000G1	Front Frame Assy. (Convection Oven)	1
*52	00-409819-000G2	Burner Assy. (Lower)(Std. Oven)	1
*53	00-413957-000G1	Oven Burner Assy. (Convection Oven)	1
*54	00-420773-00001	Cover - Front (L.H.) W/O Hole	1
*55	00-420773-00002	Cover - Front (L.H.) W/Hole	1
56	00-404060-00003	Mixer - Air	4
*57	00-409704-00002	Body - Side (L.H.)(Ptd.)	1
*58	00-409704-00004	Body - Side (L.H.)(SST)	1
**59	00-408919-000G8	Body - Side (L.H.)(SST)	1
*60	00-409705-00001	Body - Back (Aluminum)	1
*61	00-409638-00001	Box - Flue (Aluminum)	1

*GH Models Only.

**GHM Models Only.

RANGE - GH72/GHM72 (CON'T.)

ILLUS. PL-51685A	PART NO.	NAME OF PART	AMT.
62	00-405831-000G3	Burner Assembly	4
	00-406421-00001	Side Brick	8
	00-405848-00001	Center Brick	4
	00-405881-00001	Bracket - Front Manifold	2
	00-405880-00001	Bracket - Rear Manifold	2
	00-404629-00002	Bushing - Door Hinge Pin	2
	00-405618-00001	Door Hook - LH	1
	00-405618-00002	Door Hook - RH	1
	00-409675-00001	Burner Closure - Standard Oven	1
	00-420778-00001	Catch Bracket - Kick Panel	2
	00-412788-00002	Thermocouple - TS11	1
	00-412788-00004	Thermocouple - BASO	1
	00-497002-00001	Caster, Swivel	2
	00-497002-00002	Caster, W/Brake	2
	00-413966-00004	Overlay, Control Panel - Standard Oven (Prior to September 2004)	1
	00-497127-00001	Overlay, Control Panel - Standard Oven (September 2004 to Present)	1
	00-415677-00001	Capillary Clip (Oven Thermostat)	1
	00-407522-00006	Thermostat (650 Degree) ("Lobster" Oven)	1
	00-412527-00001	Knob -Thermostat (650 Degree)	1
	00-419810-00001	Plate (Replaces Oven Bottom Assy. for "Lobster" Oven)	1
	00-413746-00001	Bracket - Burner/Drip Tray Handle	2



RANGE - GH6, GH6C, GHM6, GH6S

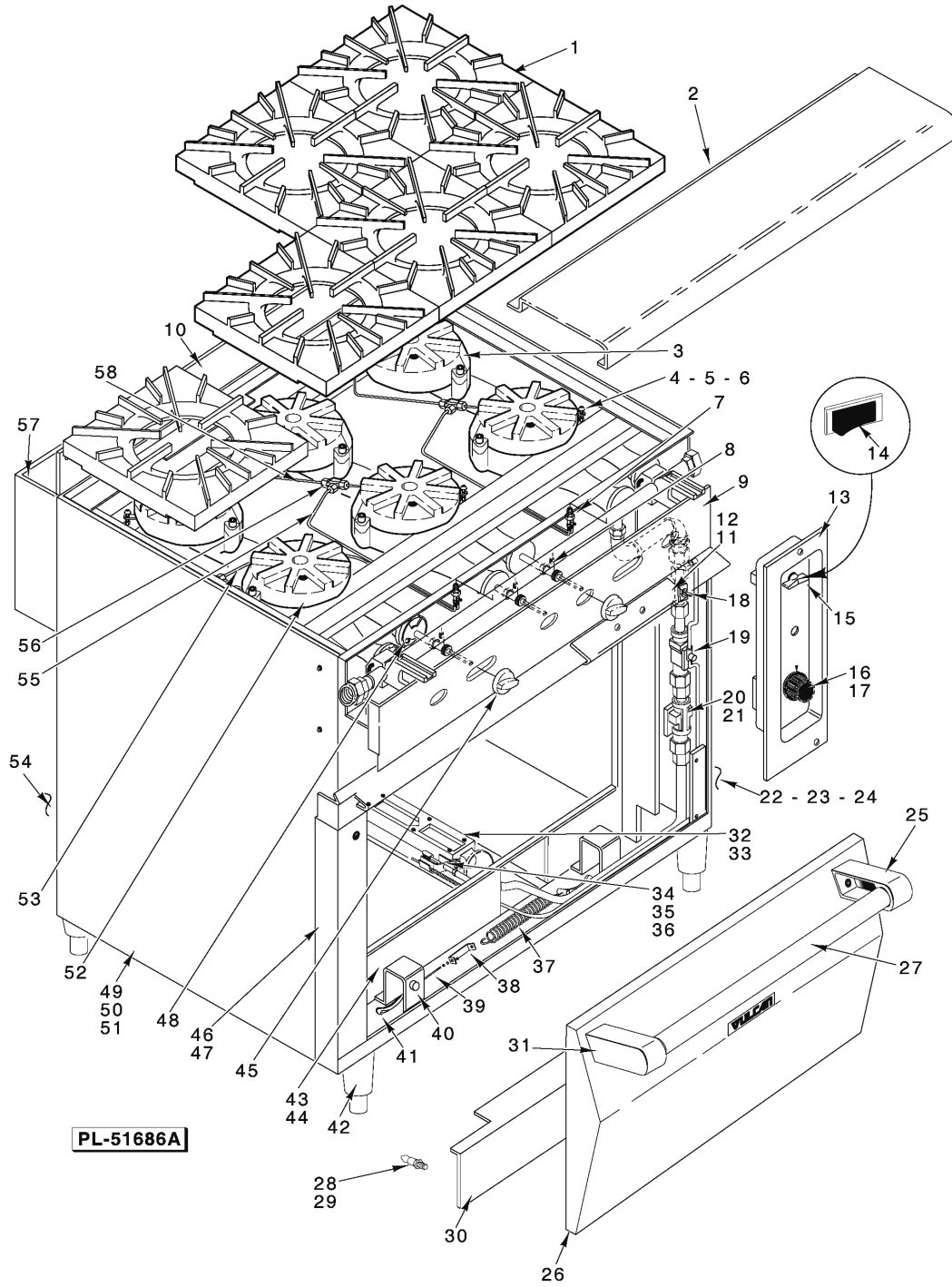
ILLUS. PL-55002A	PART NO.	NAME OF PART	AMT.
	1	00-425791-00001 Grate - Open Top	6
	2	00-420664-000G2 Front Top Assy. (34" Wide)(SST)	1
	3	00-417608-00005 Burner Head	6
	4	00-424960-000G1 Pilot Tube Assy. (Front)	1
	5	00-420786-00001 Valve - Dual Burner	2

RANGE - GH6, GH6C, GHM6, GH6S (CON'T.)

ILLUS. PL-55002A	PART NO.	NAME OF PART	AMT.
6	00-408379-00003	Valve - Burner	6
7	00-413856-00002	Cover - Manifold	1
8	00-409888-00007	Drip Tray Assy.....	1
9	00-413747-00002	Burner Tray Handle	1
10	00-420774-00001	Panel - Control (Prior to September 2004)	1
	00-497126-00001	Panel - Control (Standard Oven) (September 2004 to Present)	1
11	00-411496-000B4	Switch - On/Off (Convection Oven)	1
12	00-402957-00002	Handle - Gas Cock (RED)	1
13	00-413614-00001	Knob - Thermostat (Std. Oven)	1
14	00-413976-00001	Knob - Thermostat (Convection Oven)	1
15	00-407789-00001	Valve - Service (Std. Oven)	1
16	00-407798-00004	Valve - Pilot Control (Prior to September 2000)	1
	00-427083-00002	Valve - Pilot Control (Safety Valve) TS11 (September 2000 Thru August 2004)	1
	00-720719	Valve - Pilot Control (Safety Valve) BASO (September 2004 to Present)	1
17	00-407522-00001	Thermostat (Std. Oven)	1
18	00-411506-00003	Thermostat (Convection Oven)	1
19	00-409704-00001	Side - Body (R.H.)(Ptd.)	1
20	00-409704-00003	Side - Body (R.H.)(SST)	1
21	00-408919-000G7	Body - Side (R.H.)(SST)	1
22	00-409790-00001	Post - Door (R.H.)	1
23	00-409793-00001	Handle - Oven Door	1
24	00-409791-000G2	Door Assy.	1
25	00-420775-000G1	Burner Box Cover (Oven)	1
26	00-421105-00001	Strike - Kick Panel	2
27	00-421106-00001	Catch - Kick Panel	2
28	00-409790-00002	Post - Door (L.H.)	1
29	00-409819-000G2	Burner Assy. (Lower)(Std. Oven).....	1
30	00-413957-000G1	Oven Burner Assy. (Convection Oven)	1
31	00-409125-00001	Pilot Assy. - Burner (Nat. Gas) (.020 Dia.) (Oven Section) (Prior to September 2000)	1
	00-426262-00001	Pilot Assy. (Nat. Gas) (September 2000 to Present).....	1
32	00-409125-00002	Pilot Assy. (MFG) (.024 Dia.) (Oven Section) (Prior to September 2000)	1
	00-426262-00003	Pilot Assy. (MFG Gas) (September 2000 to Present)	1
33	00-409125-00003	Pilot Assy. - Burner (L.P.) (.009 Dia.) (Oven Section) (Prior to September 2000)	1
	00-426262-00002	Pilot Assy. (L.P. Gas) (September 2000 to Present)	1
34	00-412014-00001	Spring - W/Swivel Hook	1
35	00-413090-00001	Bracket - Spring	1
36	00-413091-00002	Bolt - J	1
37	00-403971-00001	Pin - Bell Crank	2
38	00-403956-00001	Crank - Bell	2
39	00-409840-00006	Leg (SST)	4
40	00-420779-000G1	Front Frame Assy. (Std. Oven)	1
41	00-421104-000G1	Front Frame Assy. (Convection Oven)	1
42	00-420560-00001	Knob - Top Burner	6
43	00-420773-00001	Cover - Front (L.H.) W/O Hole	1
44	00-420773-00002	Cover - Front (L.H.) W/Hole	1
45	00-404060-00001	Mixer - Air	6
46	00-424752-000G1	Burner Assy. (Front)	3
47	00-409704-00002	Body - Side (L.H.)(Ptd.)	1
48	00-409704-00004	Body - Side (L.H.)(SST)	1
49	00-408919-000G8	Body - Side (L.H.)(SST)	1
50	00-428416-000G1	Pilot Tube Assy. (Left Front)	1
51	00-412063-00002	Tip - Pilot	6
52	FP-047-14	Fitting - ³ / ₁₆ Compression Nut	6
53	FP-077-23	Fitting - Tube ³ / ₁₆ Compression	6
54	00-409705-00001	Body - Back (Aluminum)	1
55	00-428416-000G2	Pilot Tube Assy. (Left Rear)	1
56	00-428416-000G3	Pilot Tube Assy. (Left Rear Step-Up)	1
57	00-424753-000G1	Top Burner Assy. (Rear Step-Up)	3
58	00-409638-00001	Box - Flue (Aluminum)	1
59	00-426572-00001	Back - Top	1
60	00-424955-000G1	Box - Step-Up Assy.	1
61	00-424751-000G1	Top Burner Assy. (Rear).....	3
62	00-424962-000G1	Tube - Pilot Assy. (Rear).....	1
63	00-424962-000G2	Tube - Pilot Assy. (Step -Up)	1

RANGE - GH6, GH6C, GHM6, GH6S (CON'T.)

ILLUS. PL-55002A	PART NO.	NAME OF PART	AMT.
	00-405881-00001	Bracket - Front Manifold	2
	00-405880-00001	Bracket - Rear Manifold	2
	00-404629-00002	Bushing - Door Hinge Pin	2
	00-405618-00001	Door Hook - LH	1
	00-405618-00002	Door Hook - RH	1
	00-409675-00001	Burner Closure - Standard Oven	1
	00-420778-00001	Catch Bracket - Kick Panel	2
	00-412788-00002	Thermocouple - TS11	1
	00-412788-00004	Thermocouple - BASO	1
	00-497002-00001	Caster, Swivel	2
	00-497002-00002	Caster, W/Brake	2
	00-413966-00004	Overlay, Control Panel - Standard Oven (Prior to September 2004)	1
	00-497127-00001	Overlay, Control Panel - Standard Oven (September 2004 to Present)	1
	00-415677-00001	Capillary Clip (Oven Thermostat)	1
	00-407522-00006	Thermostat (650 Degree) ("Lobster" Oven)	1
	00-412527-00001	Knob -Thermostat (650 Degree)	1
	00-419810-00001	Plate (Replaces Oven Bottom Assy. for "Lobster" Oven)	1
	00-413746-00001	Bracket - Burner/Drip Tray Handle	2



RANGE - GH56/GHM56/GH56S

ILLUS. PL-51686A	PART NO.	NAME OF PART	AMT.
1	00-417805-00001	Grate - Aeration (Top)	6
2	00-420664-000G2	Front Top Assy. (34" Wide)(SST)	1
3	00-413776-000G3	Top Burner Assy. (Long)	1
4	00-412063-00002	Tip - Pilot	6

RANGE - GH56/GHM56/GH56S (CON'T.)

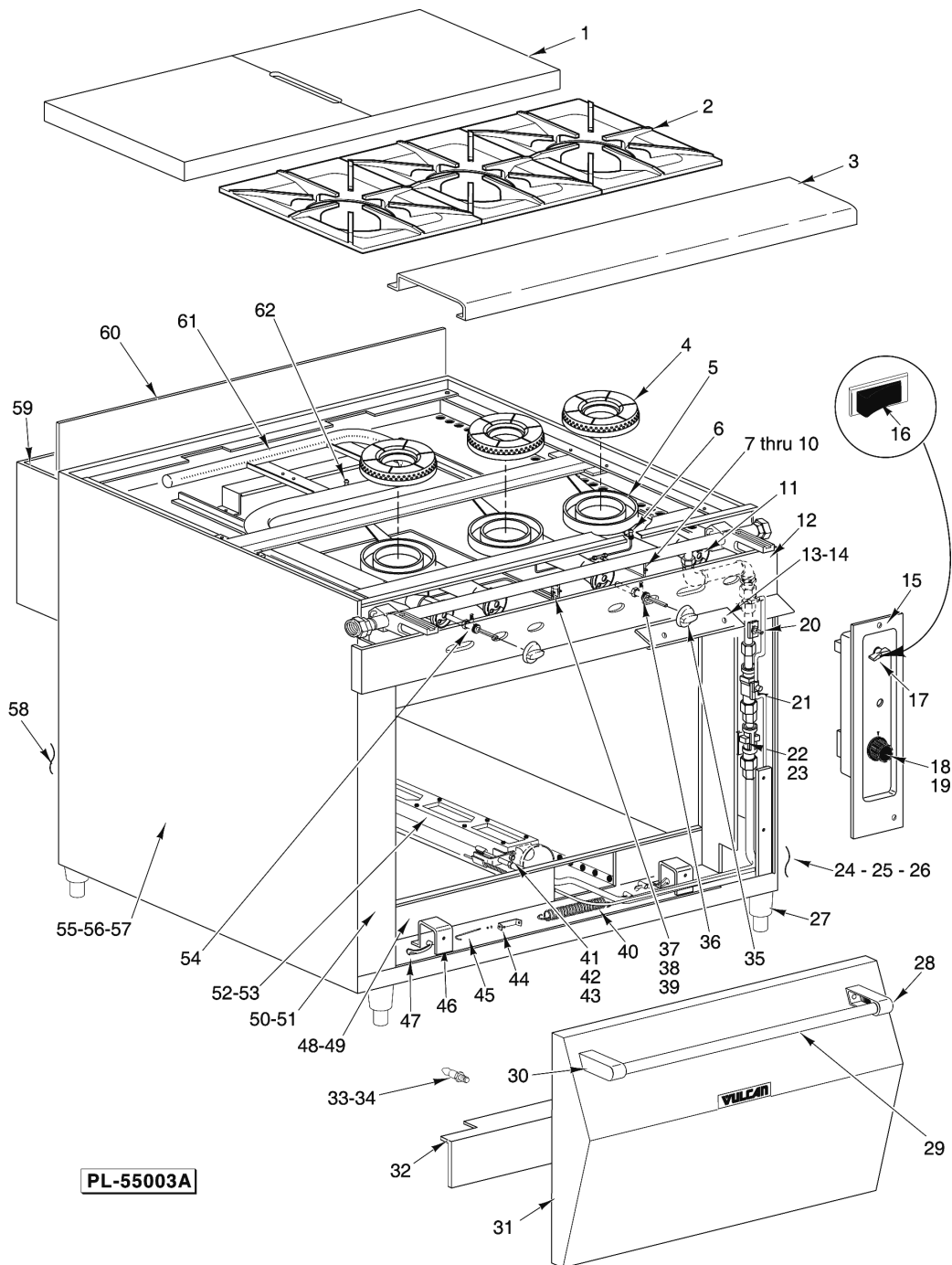
ILLUS. PL-51686A	PART NO.	NAME OF PART	AMT.
5	FP-047-14	Fitting - $\frac{3}{16}$ Compression Nut	6
6	FP-077-23	Fitting - Tube $\frac{3}{16}$ Compression	6
7	00-420786-00001	Valve - Dual Burner	1
8	00-408379-00003	Valve - Burner	6
9	00-413856-00002	Cover - Manifold	1
10	00-426572-00001	Back - Top	1
11	00-409888-00007	Drip Tray Assy.	1
12	00-413747-00002	Burner Tray Handle	1
*13	00-420774-00001	Panel - Control (Prior to September 2004)	1
	00-497126-00001	Panel - Control (Standard Oven) (September 2004 to Present)	1
*14	00-411496-000B4	Switch - On/Off (Convection Oven)	1
*15	00-402957-00002	Handle - Gas Cock (RED)	1
*16	00-413614-00001	Knob - Thermostat (Std. Oven)	1
*17	00-413976-00001	Knob - Thermostat (Convection Oven)	1
*18	00-407789-00001	Valve - Service (Std. Oven)	1
*19	00-407798-00004	Valve - Pilot Control (Prior to September 2000)	1
	00427083-00002	Valve - Pilot Control (Safety Valve) TS11 (September 2000 Thru August 2004)	1
	00-720719	Valve - Pilot Control (Safety Valve) BASO (September 2004 to Present)	1
*20	00-407522-00001	Thermostat (Std. Oven)	1
*21	00-411506-00003	Thermostat (Convection Oven)	1
*22	00-409704-00001	Side - Body (R.H.)(Ptd.)	1
*23	00-409704-00003	Side - Body (R.H.)(SST)	1
*24	00-408919-000G7	Body - Side (R.H.)(SST)	1
*25	00-409790-00001	Post - Door (R.H.)	1
*26	00-409791-000G2	Door Assy.	1
*27	00-409793-00001	Handle - Oven Door	1
*28	00-421105-00001	Strike - Kick Panel	2
*29	00-421106-00001	Catch - Kick Panel	2
*30	00-420775-000G1	Burner Box Cover (Oven)	1
*31	00-409790-00002	Post - Door (L.H.)	1
*32	00-409819-000G2	Burner Assy. (Lower)(Std. Oven)	1
*33	00-413957-000G1	Oven Burner Assy. (Convection Oven)	1
*34	00-409125-00001	Pilot Assy. - Burner (Nat. Gas) (.020 Dia.) (Oven Section) (Prior to September 2000)	1
	00-426262-00001	Pilot Assy. (Nat. Gas) (September 2000 to Present)	1
*35	00-409125-00002	Pilot Assy. (MFG) (.024 Dia.) (Oven Section) (Prior to September 2000)	1
	00-426262-00003	Pilot Assy. (MFG Gas) (September 2000 to Present)	1
*36	00-409125-00003	Pilot Assy. - Burner (L.P.) (.009 Dia.) (Oven Section) (Prior to September 2000)	1
	00-426262-00002	Pilot Assy. (L.P Gas) (September 2000 to Present)	1
*37	00-412014-00001	Spring - W/Swivel Hook	1
*38	00-413090-00001	Bracket - Spring	1
*39	00-413091-00002	Bolt - J	1
*40	00-403971-00001	Pin - Bell Crank	2
*41	00-403956-00001	Crank - Bell	2
*42	00-409840-00006	Leg (SST)	4
*43	00-420779-000G1	Front Frame Assy. (Std. Oven)	1
*44	00-421104-000G1	Front Frame Assy. (Convection Oven)	1
45	00-420560-00001	Knob - Top Burner	6
*46	00-420773-00001	Cover - Front (L.H.) W/O Hole	1
*47	00-420773-00002	Cover - Front (L.H.) W/Hole	1
48	00-404060-00001	Mixer - Air	6
*49	00-409704-00002	Body - Side (L.H.)(Ptd.)	1
*50	00-409704-00004	Body - Side (L.H.)(SST)	1
**51	00-408919-000G8	Body - Side (L.H.)(SST)	1
*52	00-413776-000G4	Burner Assy. (Short)	3
53	00-413864-00001	Tube - Pilot (R.H.)(Tee to Double Pilot Valve)	1
*54	00-409705-00001	Body - Back (Aluminum)	1
55	00-413867-00001	Tube - Pilot (Tee to Double Pilot Valve)	2
56	FP-085-41	Tee $\frac{1}{4}$ x $\frac{1}{4}$ x $\frac{1}{4}$	3
57	00-409638-00001	Box - Flue (Aluminum)	1
58	00-413865-00002	Tube - Pilot (Front & Rear)	3

*GH Models Only.

**GHM Models Only.

RANGE - GH56/GHM56/GH56S (CON'T.)

ILLUS. PL-51686A	PART NO.	NAME OF PART	AMT.
	00-405881-00001	Bracket - Front Manifold	2
	00-405880-00001	Bracket - Rear Manifold	2
	00-404629-00002	Bushing - Door Hinge Pin	2
	00-405618-00001	Door Hook - LH	1
	00-405618-00002	Door Hook - RH	1
	00-409675-00001	Burner Closure - Standard Oven	1
	00-420778-00001	Catch Bracket - Kick Panel	2
	00-412788-00002	Thermocouple - TS11	1
	00-412788-00004	Thermocouple - BASO	1
	00-497002-00001	Caster, Swivel	2
	00-497002-00002	Caster, W/Brake	2
	00-413966-00004	Overlay, Control Panel - Standard Oven (Prior to September 2004)	1
	00-497127-00001	Overlay, Control Panel - Standard Oven (September 2004 to Present)	1
	00-415677-00001	Capillary Clip (Oven Thermostat)	1
	00-407522-00006	Thermostat (650 Degree) ("Lobster" Oven)	1
	00-412527-00001	Knob -Thermostat (650 Degree)	1
	00-419810-00001	Plate (Replaces Oven Bottom Assy. for "Lobster" Oven)	1
	00-413746-00001	Bracket - Burner/Drip Tray Handle	2



RANGE - GH3/72, GH3/72C, GH3/72S, GHM3/72

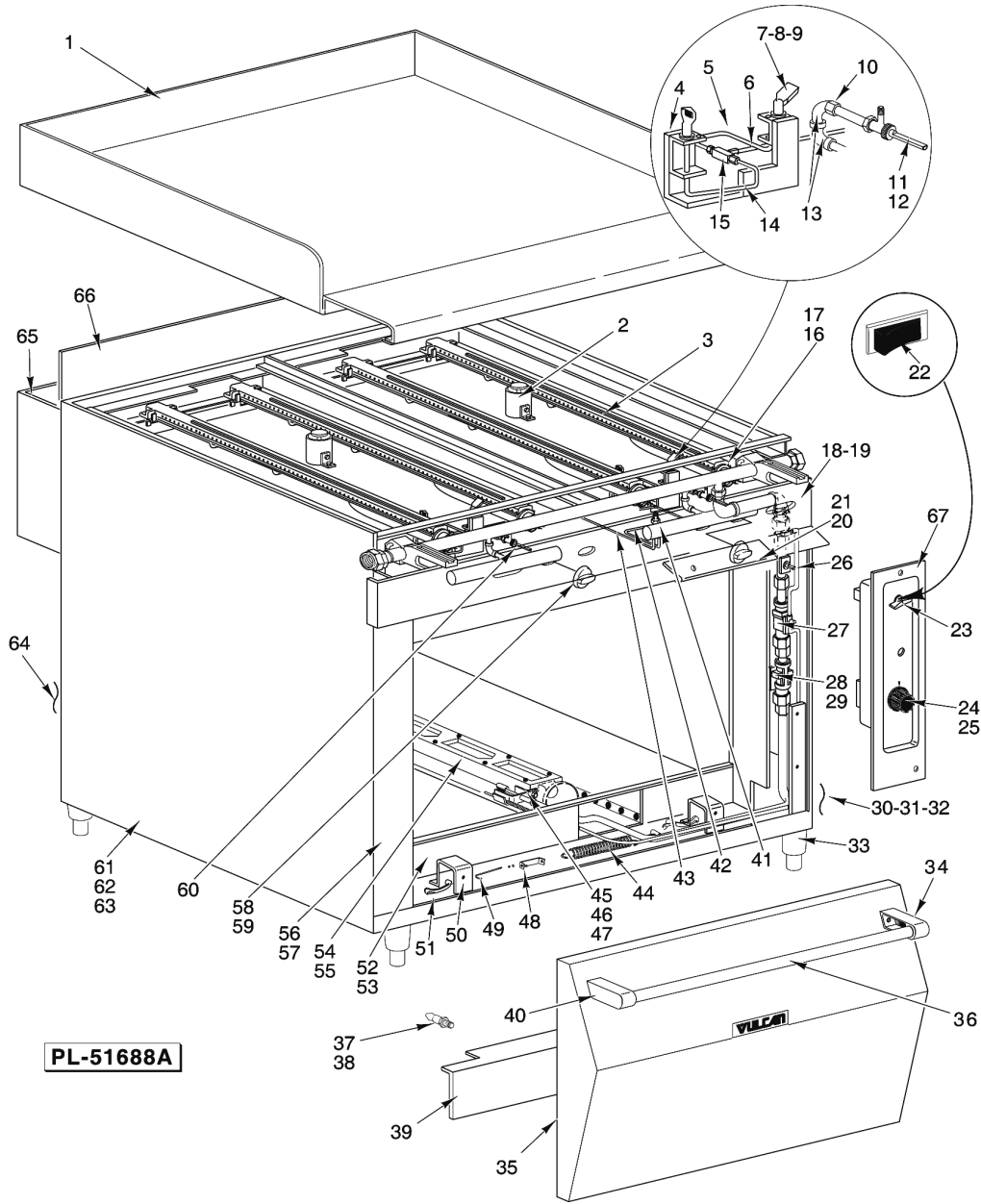
ILLUS.	PART NO.	NAME OF PART	AMT.
1	00-414282-00001	Top - Even Heat	1
2	00-425791-00001	Grate - Open Top	3
3	00-420664-000G2	Front Top Assy. (34" Wide)(SST)	1
4	00-417608-00005	Burner Head	3

RANGE - GH3/72, GH3/72C, GH3/72S, GHM3/72 (CON'T.)

ILLUS. PL-55003A	PART NO.	NAME OF PART	AMT.
5	00-424752-000G1	Burner Assy. (Front)	3
6	00-412063-00002	Tip - Pilot	3
7	00-424960-000G1	Pilot Tube Assy. (Front)	1
8	FP-047-14	Fitting - ³ / ₁₆ Compression Nut	1
9	FP-077-23	Fitting - Tube ³ / ₁₆ Compression	1
10	00-404193-00002	Valve - Pilot ³ / ₁₆ (Griddles)	1
11	00-404060-00001	Mixer - Air	3
12	00-413856-00006	Control Panel Top Section	1
13	00-409888-00007	Drip Tray Assy.	1
14	00-413747-00002	Burner Tray Handle	1
15	00-420774-00001	Panel - Control (Prior to September 2004)	1
	00-497126-00001	Panel - Control (Standard Oven) (September 2004 to Present)	1
16	00-411496-000B4	Switch - On/Off (Convection Oven)	1
17	00-402957-00002	Handle - Gas Cock (RED)	1
18	00-413614-00001	Knob - Thermostat (Std. Oven)	1
19	00-413976-00001	Knob - Thermostat (Convection Oven)	1
20	00-407789-00001	Valve - Service (Std. Oven)	1
21	00-407798-00004	Valve - Pilot Control (Prior to September 2000)	1
	00-427083-00002	Valve - Pilot Control (Safety Valve) TS11 (September 2000 Thru August 2004)	1
	00-720719	Valve - Pilot Control (Safety Valve) BASO (September 2004 to Present)	1
22	00-407522-00001	Thermostat (Std. Oven)	1
23	00-411506-00003	Thermostat (Convection Oven)	1
24	00-409704-00001	Side - Body (R.H.)(Ptd.)	1
25	00-409704-00003	Side - Body (R.H.)(SST)	1
26	00-408919-000G7	Body - Side (R.H.)(SST)	1
27	00-409840-00006	Leg (SST)	4
28	00-409790-00001	Post - Door (R.H.)	1
29	00-409793-00001	Handle - Oven Door	1
30	00-409790-00002	Post - Door (L.H.)	1
31	00-409791-000G2	Door Assy.	1
32	00-420775-000G1	Burner Box Cover (Oven)	1
33	00-421105-00001	Strike - Kick Panel	2
34	00-421106-00001	Catch - Kick Panel	2
35	00-420560-00001	Knob - Top Burner	4
36	00-408379-00003	Valve - Burner	3
37	00-415247-00001	Tube - Dual Pilot (L.H.)	2
38	00-420786-00001	Valve - Dual Burner	1
39	00-428416-000G1	Pilot Tube Assy. (Left Front)	1
40	00-412014-00001	Spring - W/Swivel Hook	1
41	00-409125-00001	Pilot Assy. - Burner (Nat. Gas) (.020 Dia.) (Oven Section) (Prior to September 2000)	1
	00-426262-00001	Pilot Assy. (Nat. Gas) (September 2000 to Present)	1
42	00-409125-00002	Pilot Assy. (MFG) (.024 Dia.) (Oven Section) (Prior to September 2000)	1
	00-426262-00003	Pilot Assy. (MFG Gas) (September 2000 to Present)	1
43	00-409125-00003	Pilot Assy. - Burner (L.P.) (.009 Dia.) (Oven Section) (Prior to September 2000)	1
	00-426262-00002	Pilot Assy. (L.P. Gas) (September 2000 to Present)	1
44	00-413090-00001	Bracket - Spring	1
45	00-413091-00002	Bolt - J	1
46	00-403971-00001	Pin - Bell Crank	2
47	00-403956-00001	Crank - Bell	2
48	00-420779-000G1	Front Frame Assy. (Std. Oven)	1
49	00-421104-000G1	Front Frame Assy. (Convection Oven)	1
50	00-420773-00001	Cover - Front (L.H.) W/O Hole	1
51	00-420773-00002	Cover - Front (L.H.) W/Hole	1
52	00-409819-000G2	Burner Assy. (Lower)(Std. Oven)	1
53	00-413957-000G1	Oven Burner Assy. (Convection Oven)	1
54	00-408379-00004	Valve - Burner (Top)	1
55	00-409704-00002	Body - Side (L.H.)(Ptd.)	1
56	00-409704-00004	Body - Side (L.H.)(SST)	1
57	00-408919-000G8	Body - Side (L.H.)(SST)	1
58	00-409705-00001	Body - Back (Aluminum)	1
59	00-409638-00001	Box - Flue (Aluminum)	1
60	00-409650-00001	Back - Top	1
61	00-414038-00001	Burner - Even Heat Top	1

RANGE - GH3/72, GH3/72C, GH3/72S, GHM3/72 (CON'T.)

ILLUS.	PART NO.	NAME OF PART	AMT.
62	00-412063-00002	Tip - Pilot	1
	00-405881-00001	Bracket - Front Manifold	2
	00-405880-00001	Bracket - Rear Manifold	2
	00-404629-00002	Bushing - Door Hinge Pin	2
	00-405618-00001	Door Hook - LH	1
	00-405618-00002	Door Hook - RH	1
	00-409675-00001	Burner Closure - Standard Oven	1
	00-420778-00001	Catch Bracket - Kick Panel	2
	00-412788-00002	Thermocouple - TS11	1
	00-412788-00004	Thermocouple - BASO	1
	00-497002-00001	Caster, Swivel	2
	00-497002-00002	Caster, W/Brake	2
	00-413966-00004	Overlay, Control Panel - Standard Oven (Prior to September 2004)	1
	00-497127-00001	Overlay, Control Panel - Standard Oven (September 2004 to Present)	1
	00-415677-00001	Capillary Clip (Oven Thermostat)	1
	00-407522-00006	Thermostat (650 Degree) ("Lobster" Oven)	1
	00-412527-00001	Knob -Thermostat (650 Degree)	1
	00-419810-00001	Plate (Replaces Oven Bottom Assy. for "Lobster" Oven)	1
	00-413746-00001	Bracket - Burner/Drip Tray Handle	2



RANGE - GH60/GH60T & GHM60, GHM60T

ILLUS.	PART NO.	NAME OF PART	AMT.
	PL-51688A		
1	00-427472-000G8	Plate - Steel Griddle Assy.(34")	1
2	00-427318-00001	Thermostat ("T" Units)	2
3	00-405831-000G3	Burner Assembly	4
4	00-409813-00001	Support - Pilot (Top)	4
5	00-409816-00002	Tubing - (Tee to R.H. Pilot)	4
6	00-409815-00001	Tubing - Pilot (L.H.)(Tee to Manifold)	2
7	00-409839-00001	Burner - Pilot (Nat.)	4
8	00-409839-00002	Burner - Pilot (MFG.)	4
9	00-409839-00003	Burner - Pilot (LP)	4
10	FP-086-07	Fitting - Tube (7/16 Tube to 3/8 FPT)	2
11	00-408379-00004	Valve - Burner (GH60/GHM60)	2
12	00-407789-00001	Valve - Service (GH60T/GHM60T)	2
13	FP-078-75	Elbow - Pipe 3/8 x 90 Deg.	4

RANGE - GH60/GH60T & GHM60, GHM60T (CON'T.)

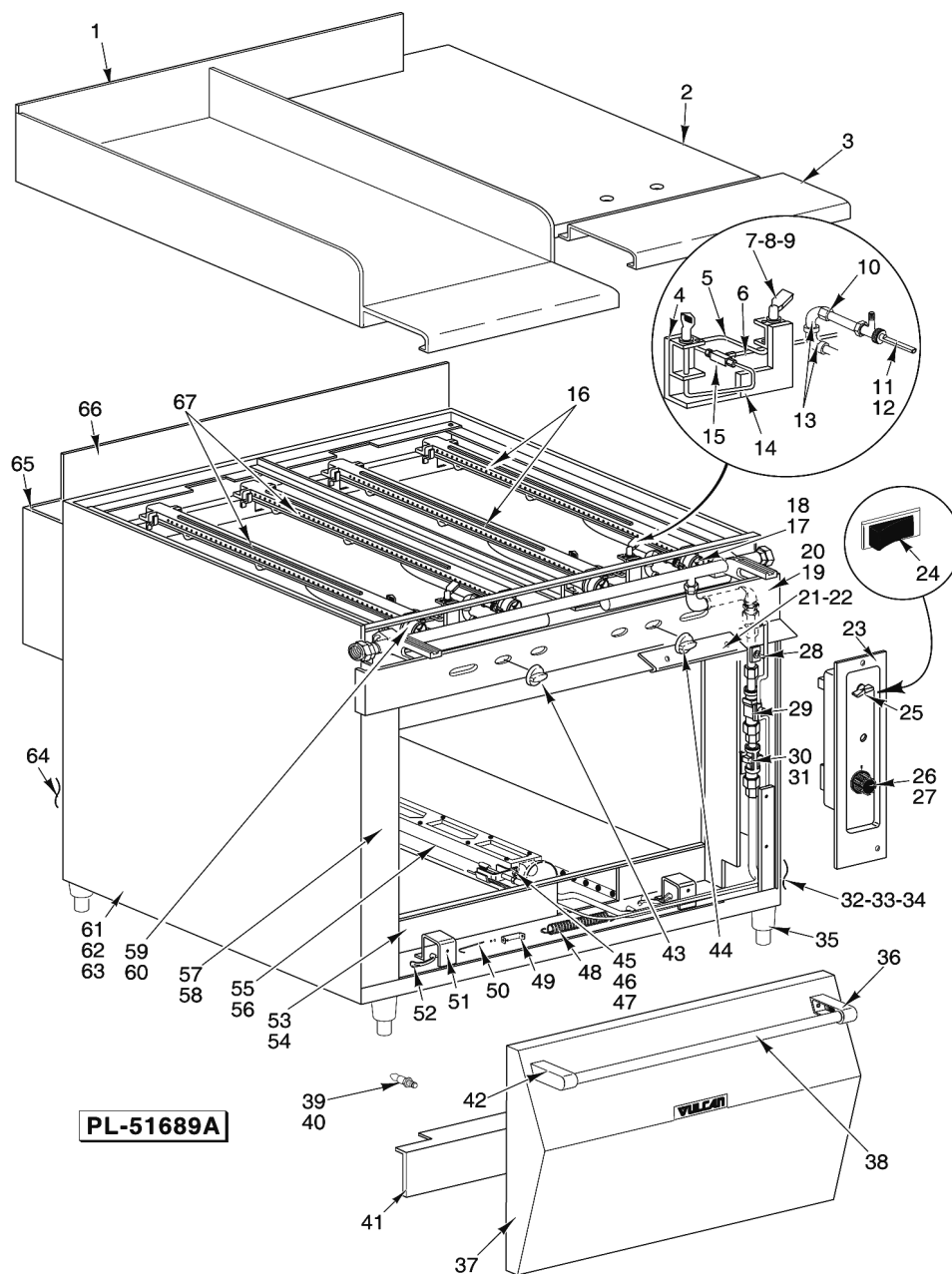
ILLUS. PL-51688A	PART NO.	NAME OF PART	AMT.
14	00-414824-00001	Tubing - Pilot (L.H.)	4
15	FP-081-74	Tee 1/4 x 1/4 x 1/4	4
16	00-404060-00001	Mixer - Air	4
17	00-417879-00001	Nozzle - Pilot Burner	4
18	00-409808-00002	Cover - Manifold (GH60)	1
19	00-409654-00002	Cover - Manifold (GH60T)	1
20	00-409888-00009	Burner Tray Assy.	1
21	00-413747-00004	Handle - Burner Tray	1
*22	00-411496-000B4	Switch - On/Off (Convection Oven)	1
*23	00-402957-00002	Handle - Gas Cock (RED)	1
*24	00-412614-00001	Clamp - Base	1
*25	00-413976-00001	Knob - Thermostat (Convection Oven)	1
*26	00-407789-00001	Valve - Service (Std. Oven)	1
*27	00-407798-00004	Valve - Pilot Control (Prior to September 2000)	1
	00-427083-00002	Valve - Pilot Control (Safety Valve) TS11 (September 2000 Thru August 2004)	1
	00-720719	Valve - Pilot Control (Safety Valve) BASO (September 2004 to Present)	1
*28	00-407522-00001	Thermostat (Std. Oven)	1
*29	00-411506-00003	Thermostat (Convection Oven)	1
*30	00-409704-00001	Side - Body (R.H.)(Ptd.)	1
*31	00-409704-00003	Side - Body (R.H.)(SST)	1
**32	00-408919-000G7	Body - Side (R.H.)(SST)	1
*33	00-409840-00006	Leg (SST)	4
*34	00-409790-00001	Post - Door (R.H.)	1
*35	00-409791-000G2	Door Assy.	1
*36	00-409793-00001	Handle - Oven Door	1
*37	00-421105-00001	Strike - Kick Panel	2
*38	00-421106-00001	Catch - Kick Panel	2
*39	00-420775-000G1	Burner Box Cover (Oven)	1
*40	00-409790-00002	Post - Door (L.H.)	1
*41	00-420786-00001	Valve - Dual Burner	2
*42	00-409815-00002	Tubing - Pilot (R.H.)	2
*43	00-414824-00001	Tubing - Pilot (L.H.)	2
*44	00-412014-00001	Spring - W/Swivel Hook	1
*45	00-409125-00001	Pilot Assy. - Burner (Nat. Gas) (.020 Dia.) (Oven Section) (Prior to September 2000)	1
	00-426262-00001	Pilot Assy. (Nat. Gas) (September 2000 to Present)	1
*46	00-409125-00002	Pilot Assy. (MFG) (.024 Dia.) (Oven Section) (Prior to September 2000)	1
	00-426262-00003	Pilot Assy. (MFG Gas) (September 2000 to Present)	1
*47	00-409125-00003	Pilot Assy. - Burner (L.P.) (.009 Dia.) (Oven Section) (Prior to September 2000)	1
	00-426262-00002	Pilot Assy. (L.P. Gas) (September 2000 to Present)	1
*48	00-413090-00001	Bracket - Spring	1
*49	00-413091-00002	Bolt - J	1
*50	00-403971-00001	Pin - Bell Crank	2
*51	00-403956-00001	Crank - Bell	2
*52	00-420779-000G1	Front Frame Assy. (Std. Oven)	1
*53	00-421104-000G1	Front Frame Assy. (Convection Oven)	1
*54	00-409819-000G2	Burner Assy. (Lower)(Std. Oven)	1
*55	00-413957-000G1	Oven Burner Assy. (Convection Oven)	1
*56	00-420773-00001	Cover - Front (L.H.) W/O Hole	1
*57	00-420773-00002	Cover - Front (L.H.) W/Hole	1
58	00-420560-00001	Knob - Top Burner	2
59	00-413617-00001	Dial - Griddle Thermostat	2
60	00-408379-00004	Valve - Burner (Top)	4
*61	00-409704-00002	Body - Side (L.H.)(Ptd.)	1
*62	00-409704-00004	Body - Side (L.H.)(SST)	1
**63	00-408919-000G8	Body - Side (L.H.)(SST)	1
*64	00-409705-00001	Body - Back (Aluminum)	1
65	00-409638-00001	Box - Flue (Aluminum)	1
66	00-409650-00003	Back - Top	1
*67	00-420774-00001	Panel - Control (Prior to September 2004)	1
	00-497126-00001	Panel - Control (Standard Oven) (September 2004 to Present)	1

*GH Models Only.

**GHM Models Only.

RANGE - GH60/GH60T & GHM60, GHM60T (CON'T.)

ILLUS. PL-51688A	PART NO.	NAME OF PART	AMT.
	00-405848-00001	Center Brick	6
	00-406241-00001	Side Brick	4
	00-427481-000G1	Thermostat Kit - Griddle (Replacement)	1
	00-409682-000G7	Grease Collector	1
	00-409682-00G10	Grease Collector (Modular Unit)	1
	00-406307-00004	Grease Collector Support Clip	1
	00-404193-00001	Valve (Adjustable) (Griddle Thermostat)	1
	00-405881-00001	Bracket - Front Manifold	2
	00-405880-00001	Bracket - Rear Manifold	2
	00-404629-00002	Bushing - Door Hinge Pin	2
	00-405618-00001	Door Hook - LH	1
	00-405618-00002	Door Hook - RH	1
	00-409675-00001	Burner Closure - Standard Oven	1
	00-420778-00001	Catch Bracket - Kick Panel	2
	00-412788-00002	Thermocouple - TS11	1
	00-412788-00004	Thermocouple - BASO	1
	00-497002-00001	Caster, Swivel	2
	00-497002-00002	Caster, W/Brake	2
	00-413966-00004	Overlay, Control Panel - Standard Oven (Prior to September 2004)	1
	00-497127-00001	Overlay, Control Panel - Standard Oven (September 2004 to Present)	1
	00-415677-00001	Capillary Clip (Oven Thermostat)	1
	00-407522-00006	Thermostat (650 Degree) ("Lobster" Oven)	1
	00-412527-00001	Knob -Thermostat (650 Degree)	1
	00-419810-00001	Plate (Replaces Oven Bottom Assy. for "Lobster" Oven)	1
	00-413746-00001	Bracket - Burner/Drip Tray Handle	2



RANGE - GH60/72, GH60T/72, GHM60/72 & GHM60T/72

ILLUS.	PART NO.	NAME OF PART	AMT.
1	00-427472-000G4	Plate - Griddle (17")	1
2	00-404772-00001	Top - Even Heat (GH72, GHM72)	1
3	00-420663-000G2	Top - Front (17" Wide)(SST)	1
4	00-409813-00001	Support - Pilot (Top)	2
5	00-409816-00002	Tubing - (Tee to R.H. Pilot)	2
6	00-409815-00001	Tubing - Pilot (L.H.)(Tee to Manifold)	2
7	00-409839-00001	Burner - Pilot (Nat.)	4
8	00-409839-00002	Burner - Pilot (MFG.)	4
9	00-409839-00003	Burner - Pilot (LP)	4
10	FP-086-07	Fitting - Tube (7/16 Tube to 3/8 FPT)	2

RANGE - GH60/72, GH60T/72, GHM60/72 & GHM60T/72 (CON'T.)

ILLUS. PL-51689A	PART NO.	NAME OF PART	AMT.
11	00-408379-00004	Valve - Burner (Top) (GH60, GHM60)	2
12	00-407789-00001	Valve - Service (GH60T, GHM60T)	2
13	FP-078-75	Elbow - Pipe 3/8 x 90 Deg.	2
14	00-414824-00001	Tubing - Pilot (L.H.)	2
15	FP-081-74	Tee 1/4 x 1/4 x 1/4	2
16	00-405831-000G3	Burner Assembly (GH72, GHM72)	2
17	00-404060-00003	Mixer - Air	4
18	00-417879-00001	Nozzle - Pilot Burner	4
19	00-409986-00002	Cover - Manifold (60T/72)	1
20	00-409808-00002	Cover - Manifold (60/72)	1
21	00-409888-00009	Burner Tray Assy.	1
22	00-413747-00004	Handle - Burner Tray	1
*23	00-420774-00001	Panel - Control (Prior to September 2004)	1
	00-497126-00001	Panel - Control (Standard Oven) (September 2004 to Present)	1
*24	00-411496-000B4	Switch - On/Off (Convection Oven)	1
*25	00-402957-00002	Handle - Gas Cock (RED)	1
*26	00-413614-00001	Knob - Thermostat (Std. Oven)	1
*27	00-413976-00001	Knob - Thermostat (Convection Oven)	1
*28	00-407789-00001	Valve - Service (Std. Oven)	1
*29	00-407798-00004	Valve - Pilot Control (Prior to September 2000)	1
	00-427083-00002	Valve - Pilot Control (Safety Valve) TS11 (September 2000 Thru August 2004)	1
	00-720719	Valve - Pilot Control (Safety Valve) BASO (September 2004 to Present)	1
*30	00-407522-00001	Thermostat (Std. Oven)	1
*31	00-411506-00003	Thermostat (Convection Oven)	1
*32	00-409704-00001	Side - Body (R.H.)(Ptd.)	1
*33	00-409704-00003	Side - Body (R.H.)(SST)	1
**34	00-408919-000G7	Body - Side (R.H.)(SST)	1
*35	00-409840-00006	Leg (SST)	4
*36	00-409790-00001	Post - Door (R.H.)	1
*37	00-409791-000G2	Door Assy.	1
*38	00-409793-00001	Handle - Oven Door	1
*39	00-421105-00001	Strike - Kick Panel	2
*40	00-421106-00001	Catch - Kick Panel	2
*41	00-420775-000G1	Burner Box Cover (Oven)	1
*42	00-409790-00002	Post - Door (L.H.)	1
43	00-413617-00001	Dial - Griddle Thermostat	1
44	00-420560-00001	Knob - Top Burner	2
*45	00-409125-00001	Pilot Assy. - Burner (Nat. Gas) (.020 Dia.) (Oven Section) (Prior to September 2000)	1
	00-426262-00001	Pilot Assy. (Nat. Gas) (September 2000 to Present)	1
*46	00-409125-00002	Pilot Assy. (MFG) (.024 Dia.) (Oven Section) (Prior to September 2000)	1
	00-426262-00003	Pilot Assy. (MFG Gas) (September 2000 to Present)	1
*47	00-409125-00003	Pilot Assy. - Burner (L.P.) (.009 Dia.) (Oven Section) (Prior to September 2000)	1
	00-426262-00002	Pilot Assy. (L.P. Gas) (September 2000 to Present)	1
*48	00-412014-00001	Spring - W/Swivel Hook	1
*49	00-413090-00001	Bracket - Spring	1
*50	00-413091-00002	Bolt - J	1
*51	00-403971-00001	Pin - Bell Crank	2
*52	00-403956-00001	Crank - Bell	2
*53	00-420779-000G1	Front Frame Assy. (Std. Oven)	1
*54	00-421104-000G1	Front Frame Assy. (Convection Oven)	1
*55	00-409819-000G2	Burner Assy. (Lower)(Std. Oven)	1
*56	00-413957-000G1	Oven Burner Assy. (Convection Oven)	1
*57	00-420773-00001	Cover - Front (L.H.) W/O Hole	1
*58	00-420773-00002	Cover - Front (L.H.) W/Hole	1
59	00-404060-00001	Mixer - Air (GM60, GHM60)	2
60	00-417879-00001	Nozzle - Pilot Burner	2
*61	00-409704-00002	Body - Side (L.H.)(Ptd.)	1
*62	00-409704-00004	Body - Side (L.H.)(SST)	1
**63	00-408919-000G8	Body - Side (L.H.)(SST)	1
64	00-409705-00001	Body - Back (Aluminum)	1

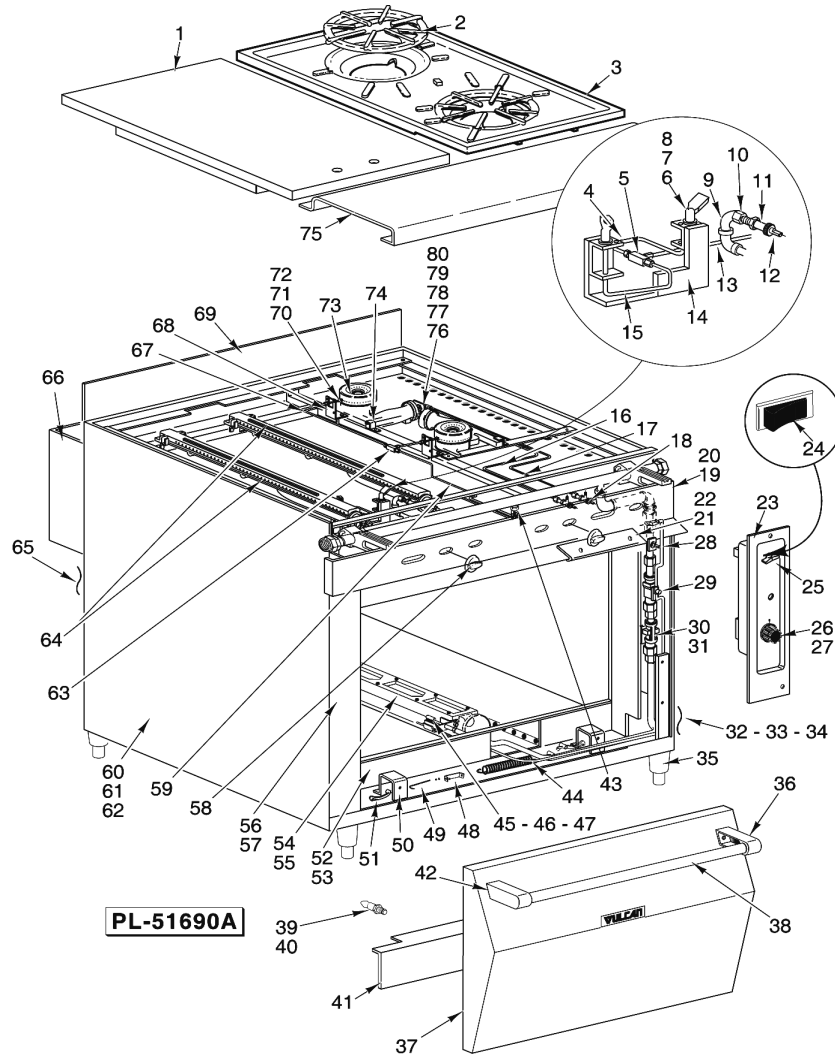
*GH Models Only.
**GHM Models Only.

HEAVY DUTY RANGES - GH, GHM AND GHX SERIES REPLACEMENT PARTS

RANGE - GH60/72, GH60T/72, GHM60/72 & GHM60T/72 (CON'T.)

ILLUS. PL-51689A	PART NO.	NAME OF PART	AMT.
65	00-409638-00001	Box - Flue (Aluminum)	1
66	00-409649-00003	Back - Top	1
67	00-405831-000G3	Burner Assembly	2
	00-405848-00001	Center Brick	4
	00-406241-00001	Side Brick	8
	00-406307-00004	Grease Collector Support Clip	1
	00-427318-00001	Thermostat - Griddle	1
	00-427481-000G1	Thermostat Kit - Griddle (Replacement)	1
	00-409682-000G7	Grease Collector	1
	00-409682-000G10	Grease Collector (Modular Units)	1
	00-405881-00001	Bracket - Front Manifold	2
	00-405880-00001	Bracket - Rear Manifold	2
	00-404629-00002	Bushing - Door Hinge Pin	2
	00-405618-00001	Door Hook - LH	1
	00-405618-00002	Door Hook - RH	1
	00-409675-00001	Burner Closure - Standard Oven	1
	00-420778-00001	Catch Bracket - Kick Panel	2
	00-412788-00002	Thermocouple - TS11	1
	00-412788-00004	Thermocouple - BASO	1
	00-497002-00001	Caster, Swivel	2
	00-497002-00002	Caster, W/Brake	2
	00-413966-00004	Overlay, Control Panel - Standard Oven (Prior to September 2004)	1
	00-497127-00001	Overlay, Control Panel - Standard Oven (September 2004 to Present)	1
	00-415677-00001	Capillary Clip (Oven Thermostat)	1
	00-407522-00006	Thermostat (650 Degree) ("Lobster" Oven)	1
	00-412527-00001	Knob -Thermostat (650 Degree)	1
	00-419810-00001	Plate (Replaces Oven Bottom Assy. for "Lobster" Oven)	1
	00-413746-00001	Bracket - Burner/Drip Tray Handle	2

REPLACEMENT PARTS HEAVY DUTY RANGES - GH, GHM AND GHX SERIES



RANGE - GH72/45 & GHM72/45

ILLUS.	PART NO.	NAME OF PART	AMT.
	PL-51690A		
1	00-404772-00001	Top - Even Heat (GH72, GHM72)	1
2	00-409432-00001	Grate - Cast Iron (GH45, GHM45)	2
3	00-409433-00001	Plate - Top Cast Iron (GH45, GHM45)	1
4	00-409816-00002	Tubing - (Tee to R.H. Pilot)	1
5	FP-081-74	Tee 1/4 x 1/4 x 1/4	1
6	00-409839-00001	Burner - Pilot (Nat.) (GH72)	1
7	00-409839-00002	Burner - Pilot (MFG.) (GH72)	1
8	00-409839-00003	Burner - Pilot (LP) (GH72)	1
9	00-414741-00003	Elbow - Street 3/8	2
10	FP-086-07	Fitting - Tube (7/16 Tube to 3/8 FPT)	1
11	00-414624-00002	Tube 7/16 (Valve to Elbow)	1
12	00-408379-00004	Valve - Burner (Top)	1
13	00-409815-00001	Tubing - Pilot (L.H.)(Tee to Manifold)	1
14	00-409813-00001	Support - Pilot (Top)	1
15	00-414824-00001	Tubing - Pilot (L.H.)	1
16	00-409871-00001	Tube - Burner (Short)(R.H.)	1
17	00-409805-00001	Tube - Burner (Long)(R.H.)	1
18	00-408379-00004	Valve - Burner (Top)	2
19	00-413767-00002	Cover - Manifold Assy. (GH72/45)	1
20	00-413767-00004	Cover - Manifold Assy. (GH72/45C)	1
21	00-409888-00009	Burner Tray Assy.	1

RANGE - GH72/45 & GHM72/45 (CON'T.)

ILLUS. PL-51690A	PART NO.	NAME OF PART	AMT.
22	00-413747-00004	Handle - Burner Tray	1
*23	00-420774-00001	Panel - Control (Prior to September 2004)	1
	00-497126-00001	Panel - Control (Standard Oven) (September 2004 to Present)	1
*24	00-411496-000B4	Switch - On/Off (Convection Oven)	1
*25	00-402957-00002	Handle - Gas Cock (RED)	1
*26	00-413614-00001	Knob - Thermostat (Std. Oven)	1
*27	00-413976-00001	Knob - Thermostat (Convection Oven)	1
*28	00-407789-00001	Valve - Service (Std. Oven)	1
*29	00-407798-00004	Valve - Pilot Control (Prior to September 2000)	1
	00-427083-00002	Valve - Pilot Control (Safety Valve) TS11 (September 2000 Thru August 2004)	1
	00-720719	Valve - Pilot Control (Safety Valve) BASO (September 2004 to Present)	1
*30	00-407522-00001	Thermostat (Std. Oven)	1
*31	00-411506-00003	Thermostat (Convection Oven)	1
*32	00-409704-00001	Side - Body (R.H.)(Ptd.)	1
*33	00-409704-00003	Side - Body (R.H.)(SST)	1
**34	00-408919-000G7	Body - Side (R.H.)(SST)	1
*35	00-409840-00006	Leg (SST)	4
*36	00-409790-00001	Post - Door (R.H.)	1
*37	00-409791-000G2	Door Assy.	1
*38	00-409793-00001	Handle - Oven Door	1
*39	00-421106-00001	Catch - Kick Panel	2
*40	00-421105-00001	Strike - Kick Panel	2
*41	00-420775-000G1	Burner Box Cover (Oven)	1
*42	00-409790-00002	Post - Door (L.H.)	1
43	00-420786-00001	Valve - Dual Burner	1
*44	00-412014-00001	Spring - W/Swivel Hook	1
*45	00-409125-00001	Pilot Assy. - Burner (Nat. Gas) (.020 Dia.) (Oven Section) (Prior to September 2000)	1
	00-426262-00001	Pilot Assy. (Nat. Gas) (September 2000 to Present)	1
*46	00-409125-00002	Pilot Assy. (MFG) (.024 Dia.) (Oven Section) (Prior to September 2000)	1
	00-426262-00003	Pilot Assy. (MFG Gas) (September 2000 to Present)	1
*47	00-409125-00003	Pilot Assy. - Burner (L.P.) (.009 Dia.) (Oven Section) (Prior to September 2000)	1
	00-426262-00002	Pilot Assy. (L.P. Gas) (September 2000 to Present)	1
*48	00-413090-00001	Bracket - Spring	1
*49	00-413091-00002	Bolt - J	1
*50	00-403971-00001	Pin - Bell Crank	2
*51	00-403956-00001	Crank - Bell	2
*52	00-420779-000G1	Front Frame Assy. (Std. Oven)	1
*53	00-421104-000G1	Front Frame Assy. (Convection Oven)	1
*54	00-409819-000G2	Burner Assy. (Lower)(Std. Oven)	1
*55	00-413957-000G1	Oven Burner Assy. (Convection Oven)	1
*56	00-420773-00001	Cover - Front (L.H.) W/O Hole	1
*57	00-420773-00002	Cover - Front (L.H.) W/Hole	1
58	00-420560-00001	Knob - Top Burner	4
59	00-414994-00002	Tube - Pilot (Tube Tee to Valve)(R.H.)	1
*60	00-409704-00002	Body - Side (L.H.)(Ptd.)	1
*61	00-409704-00004	Body - Side (L.H.)(SST)	1
**62	00-408919-000G8	Body - Side (L.H.)(SST)	1
63	FP-081-74	Tee 1/4 x 1/4 x 1/4	1
64	00-405831-000G3	Burner Assy. (GH72, GHM72)	2
*65	00-409705-00001	Body - Back (Aluminum)	1
66	00-409638-00001	Box - Flue (Aluminum)	1
67	00-414993-00001	Tube - Pilot (Tee to Pilot)	1
68	00-409807-00001	Bracket - Pilot	2
69	00-409650-00003	Back - Top (GH45 Side)	1
	00-409649-00003	Back - Top (GH72 Side)	1
70	00-409125-00010	Pilot Assy. (Nat.) (.020 Dia.) (GH45 Side)	2
71	00-409125-00012	Pilot Assy. (LP) (.009 Dia.) (GH45 Side)	2
72	00-409125-00011	Pilot Assy.(MFG.) (.024 Dia.) (GH45 Side)	2
73	00-409417-00001	Burner Head (GH45, GHM45)	2
	00-409416-000G1	Lower Burner Assy. (GH45, GHM45)	2

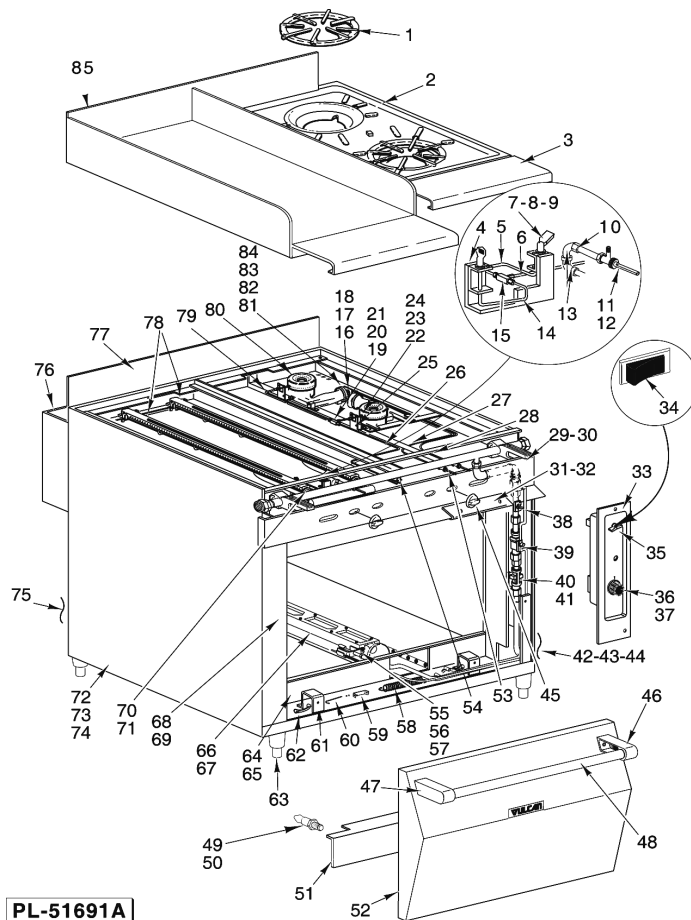
*GH Models Only.

**GHM Models Only.

RANGE - GH72/45 & GHM72/45 (CON'T.)

ILLUS. PL-51690A	PART NO.	NAME OF PART	AMT.
74	00-415044-00001	Clip - Burner	1
75	00-420664-000G2	Front Top Assy. (34" Wide)(SST)	1
76	00-404079-0000F	Nozzle - Burner	2
77	00-010901-00040	Orifice (Nat. Gas)	2
78	00-010901-00052	Orifice (L.P. Gas)	2
79	00-010901-00029	Orifice (MFG Gas)	2
80	00-404060-00003	Mixer - Air	2
	00-405848-00001	Center Brick	2
	00-406241-00001	Side Brick	4
	00-405881-00001	Bracket - Front Manifold	2
	00-405880-00001	Bracket - Rear Manifold	2
	00-404629-00002	Bushing - Door Hinge Pin	2
	00-405618-00001	Door Hook - LH	1
	00-405618-00002	Door Hook - RH	1
	00-409675-00001	Burner Closure - Standard Oven	1
	00-420778-00001	Catch Bracket - Kick Panel	2
	00-412788-00002	Thermocouple - TS11	1
	00-412788-00004	Thermocouple - BASO	1
	00-497002-00001	Caster, Swivel	2
	00-497002-00002	Caster, W/Brake	2
	00-413966-00004	Overlay, Control Panel - Standard Oven (Prior to September 2004)	1
	00-497127-00001	Overlay, Control Panel - Standard Oven (September 2004 to Present)	1
	00-415677-00001	Capillary Clip (Oven Thermostat)	1
	00-407522-00006	Thermostat (650 Degree) ("Lobster" Oven)	1
	00-412527-00001	Knob -Thermostat (650 Degree)	1
	00-419810-00001	Plate (Replaces Oven Bottom Assy. for "Lobster" Oven)	1
	00-413746-00001	Bracket - Burner/Drip Tray Handle	2

HEAVY DUTY RANGES - GH, GHM AND GHX SERIES REPLACEMENT PARTS



PL-51691A

RANGE - GH60/45, GH60T/45, GHM60/45, GHM60T/45, GH6045C & GH6T45C

ILLUS.	PART NO.	NAME OF PART	AMT.
	1	00-409432-00001 Grate - Cast Iron	2
	2	00-409433-00001 Plate - Top Cast Iron	1
	3	00-420663-000G2 Top - Front (17" Wide)(SST)	1
	4	00-409813-00001 Support - Pilot (Top)	1
	5	00-409816-00002 Tubing - (Tee to R.H. Pilot)	1
	6	00-409815-00001 Tubing - Pilot (L.H.)(Tee to Manifold)	1
	7	00-409839-00001 Burner - Pilot (Nat.) (GH60, GH60T)	2
	8	00-409839-00002 Burner - Pilot (MFG.) (GH60, GH60T)	2
	9	00-409839-00003 Burner - Pilot (LP) (GH60, GH60T)	2
	10	FP-086-07 Fitting - Tube (7/16 Tube to 3/8 FPT)	1
	11	00-408379-00004 Valve - Burner (Top) (GH60)	1
	12	00-407789-00001 Valve - Service ("T" Models)	1
	13	FP-078-75 Elbow - Pipe 3/8 x 90 Deg.	1
	14	00-414824-00001 Tubing - Pilot (L.H.)	1
	15	FP-081-74 Tee 1/4 x 1/4 x 1/4	1
	16	00-404060-00003 Mixer - Air	2
	17	00-409900-00001 Shield - Venturi	2
	18	00-409797-000G1 Support - Burner & Nozzle Assy.	2
	19	00-404366-00001 Tee - Compression 1/4 x 1/4 x 1/4	1
	20	FP-087-18 Fitting - Nut 1/4	2
	21	FP-047-34 Fitting - Tube 1/4 Brass	2
	22	00-409125-00010 Pilot Assy. (Nat.) (.020 Dia.) (GH45)	2
	23	00-409125-00011 Pilot Assy.(MFG.) (.024 Dia.) (GH45)	2
	24	00-409125-00012 Pilot Assy. (LP) (.009 Dia.) (GH45)	2
	25	00-409807-00001 Bracket - Pilot	2
	26	00-414994-00001 Tube - Pilot (Tube Tee to Valve)(L.H.)	1
	27	00-409805-00001 Tube - Burner (Long)(R.H.)	1

RANGE - GH60/45, GH60T/45, GHM60/45, GHM60T/45 GH6045C & GH6T45C (CON'T.)

ILLUS. PL-51691A	PART NO.	NAME OF PART	AMT.
28	00-409871-00001	Tube - Burner (Short)(R.H.)	1
29	00-413768-000G2	Cover - Manifold Assy. (GH60T/45)	1
30	00-413767-00002	Cover - Manifold (GH60/45)	1
31	00-409888-00009	Burner Tray Assy.	1
32	00-413747-00004	Handle - Burner Tray	1
*33	00-420774-00001	Panel - Control (Prior to September 2004)	1
	00-497126-00001	Panel - Control (Standard Oven) (September 2004 to Present)	1
*34	00-411496-000B4	Switch - On/Off (Convection Oven)	1
*35	00-402957-00002	Handle - Gas Cock (RED)	1
*36	00-413614-00001	Knob - Thermostat (Std. Oven)	1
*37	00-413976-00001	Knob - Thermostat (Convection Oven)	1
*38	00-407789-00001	Valve - Service (Std. Oven)	1
*39	00-407798-00004	Valve - Pilot Control (Prior to September 2000)	1
	00-427083-00002	Valve - Pilot Control (Safety Valve) TS11 (September 2000 Thru August 2004)	1
	00-720719	Valve - Pilot Control (Safety Valve) BASO (September 2004 to Present)	1
*40	00-407522-00001	Thermostat (Std. Oven)	1
*41	00-411506-00003	Thermostat (Convection Oven)	1
*42	00-409704-00001	Side - Body (R.H.)(Ptd.)	1
*43	00-409704-00003	Side - Body (R.H.)(SST)	1
*44	00-408919-000G7	Body - Side (R.H.)(SST)	1
45	00-420560-00001	Knob - Top Burner	4
*46	00-409790-00001	Post - Door (R.H.)	1
*47	00-409790-00002	Post - Door (L.H.)	1
*48	00-409793-00001	Handle - Oven Door	1
*49	00-421106-00001	Catch - Kick Panel	2
*50	00-421105-00001	Strike - Kick Panel	2
*51	00-420775-000G1	Burner Box Cover (Oven)	1
*52	00-409791-000G2	Door Assy.	1
53	00-408379-00004	Valve - Burner (Top)	2
54	00-420786-00001	Valve - Dual Burner	2
*55	00-409125-00001	Pilot Assy. - Burner (Nat. Gas) (.020 Dia.) (Oven Section) (Prior to September 2000)	1
	00-426262-00001	Pilot Assy. (Nat. Gas) (September 2000 to Present)	1
*56	00-409125-00002	Pilot Assy. (MFG) (.024 Dia.) (Oven Section) (Prior to September 2000)	1
	00-426262-00003	Pilot Assy. (MFG Gas) (September 2000 to Present)	1
*57	00-409125-00003	Pilot Assy. - Burner (L.P.) (.009 Dia.) (Oven Section) (Prior to September 2000)	1
	00-426262-00002	Pilot Assy. (L.P. Gas) (September 2000 to Present)	1
*58	00-412014-00001	Spring - W/Swivel Hook	1
*59	00-413090-00001	Bracket - Spring	1
*60	00-413091-00002	Bolt - J	1
*61	00-403971-00001	Pin - Bell Crank	2
*62	00-403956-00001	Crank - Bell	2
*63	00-409840-00006	Leg (SST)	4
*64	00-420779-000G1	Front Frame Assy. (Std. Oven)	1
*65	00-421104-000G1	Front Frame Assy. (Convection Oven)	1
*66	00-409819-000G2	Burner Assy. (Lower)(Std. Oven)	1
*67	00-413957-000G1	Oven Burner Assy. (Convection Oven)	1
*68	00-420773-00001	Cover - Front (L.H.) W/O Hole	1
*69	00-420773-00002	Cover - Front (L.H.) W/Hole	1
70	00-404060-00001	Mixer - Air	2
71	00-417879-00001	Nozzle - Pilot Burner	2
*72	00-409704-00002	Body - Side (L.H.)(Ptd.)	1
*73	00-409704-00004	Body - Side (L.H.)(SST)	1
*74	00-408919-000G8	Body - Side (L.H.)(SST)	1
*75	00-409705-00001	Body - Back (Aluminum)	1
76	00-409638-00001	Box - Flue (Aluminum)	1
77	00-409650-00003	Back - Top	1
78	00-405831-000G3	Burner Assembly (GH60, GH60T)	2
79	00-414993-00001	Tube - Pilot (Tee to Pilot)	1
80	00-409417-00001	Burner Assy.	2

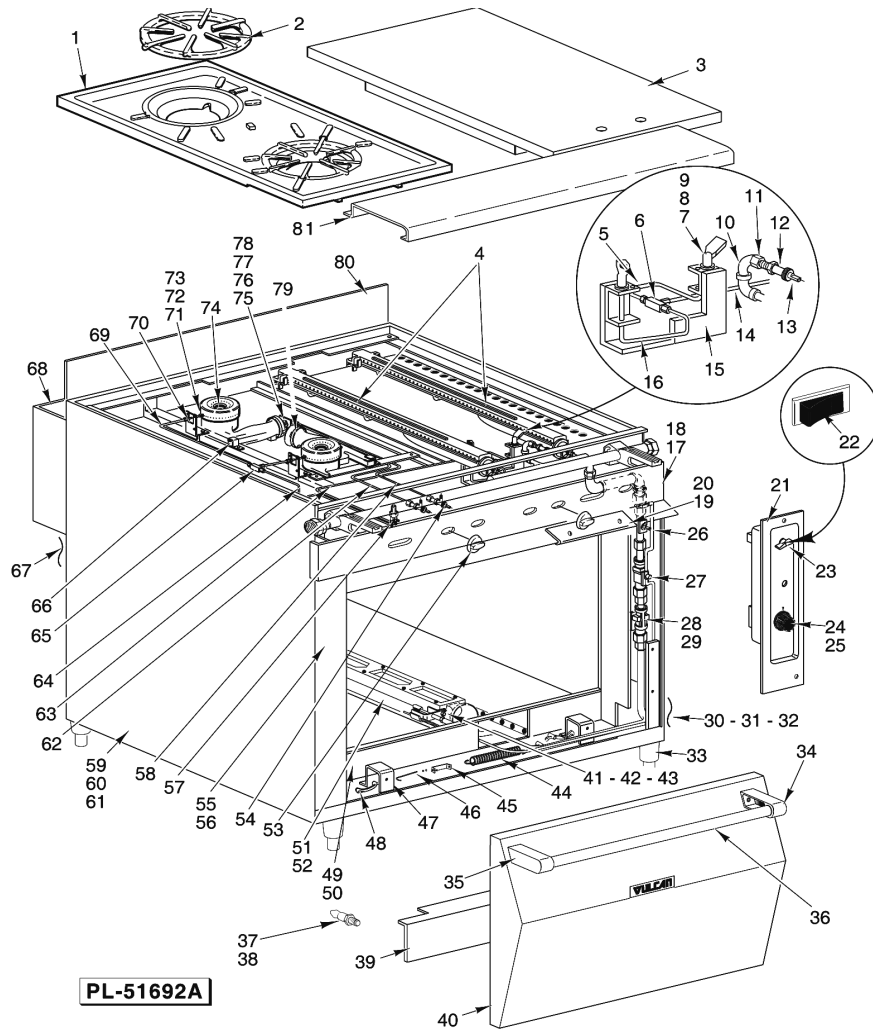
*GH Models Only.

**GHM Models Only.

HEAVY DUTY RANGES - GH, GHM AND GHX SERIES REPLACEMENT PARTS

RANGE - GH60/45, GH60T/45, GHM60/45, GHM60T/45 GH6045C & GH6T45C (CON'T.)

ILLUS. PL-51691A	PART NO.	NAME OF PART	AMT.
81	00-404079-0000F	Nozzle - Burner.....	2
82	00-010901-00040	Orifice (Nat. Gas)	2
83	00-010901-00052	Orifice (L.P. Gas)	2
84	00-010901-00029	Orifice (MFG. Gas)	2
85	00-427472-000G4	Plate - Steel Griddle Assy.(17")(CRS)	1
	00-405848-00001	Center Brick (GH60, GH60T)	2
	00-406241-00001	Side Brick (GH60, GH60T)	4
	00-427318-00001	Thermostat - Griddle	1
	00-427481-000G1	Thermostat - Griddle (Replacement Kit)	1
	00-409682-000G7	Grease Collector	1
	00-409682-000G10	Grease Collector (Modular Unit)	1
	00-406307-00004	Grease Collector Support Clip	1
	00-405881-00001	Bracket - Front Manifold	2
	00-405880-00001	Bracket - Rear Manifold	2
	00-404629-00002	Bushing - Door Hinge Pin	2
	00-405618-00001	Door Hook - LH	1
	00-405618-00002	Door Hook - RH	1
	00-409675-00001	Burner Closure - Standard Oven	1
	00-420778-00001	Catch Bracket - Kick Panel	2
	00-412788-00002	Thermocouple - TS11	1
	00-412788-00004	Thermocouple - BASO	1
	00-497002-00001	Caster, Swivel	2
	00-497002-00002	Caster, W/Brake	2
	00-413966-00004	Overlay, Control Panel - Standard Oven (Prior to September 2004)	1
	00-497127-00001	Overlay, Control Panel - Standard Oven (September 2004 to Present)	1
	00-415677-00001	Capillary Clip (Oven Thermostat)	1
	00-407522-00006	Thermostat (650 Degree) ("Lobster" Oven)	1
	00-412527-00001	Knob -Thermostat (650 Degree)	1
	00-419810-00001	Plate (Replaces Oven Bottom Assy. for "Lobster" Oven)	1
	00-413746-00001	Bracket - Burner/Drip Tray Handle	2



RANGE - GH45/72 & GHM45/72

ILLUS.	PART NO.	NAME OF PART	AMT.
	1	00-409433-00001 Plate - Top Cast Iron (GH45, GHM45)	1
	2	00-409432-00001 Grate - Cast Iron (GH45, GHM45)	2
	3	00-404772-00001 Top - Even Heat (GH72, GHM72)	1
	4	00-405831-000G3 Burner Assembly (GH72, GHM72)	2
	5	00-409816-00002 Tubing - (Tee to R.H. Pilot)	1
	6	FP-081-74 Tee 1/4 x 1/4 x 1/4	1
	7	00-409839-00001 Burner - Pilot (Nat.) (GH72)	2
	8	00-409839-00002 Burner - Pilot (MFG.) (GH72)	2
	9	00-409839-00003 Burner - Pilot (LP) (GH72)	2
	10	00-414741-00003 Elbow - Street 3/8	2
	11	FP-086-07 Fitting - Tube (7/16 Tube to 3/8 FPT)	1
	12	00-414624-00002 Tube - 7/16 (Valve to Elbow)	1
	13	00-408379-00004 Valve - Burner (Top)	1
	14	00-409815-00001 Tubing - Pilot (L.H.) (Tee to Manifold)	1
	15	00-409813-00001 Support - Pilot (Top)	1
	16	00-414824-00001 Tubing - Pilot (L.H.)	1
	17	00-413767-00003 Cover - Manifold (GH72/45C)	1
	18	00-414549-00002 Cover - Manifold Assy. (GH72/45)	1
	19	00-409888-00009 Burner Tray Assy.	1
	20	00-413747-00004 Handle - Burner Tray	1
	*21	00-420774-00001 Panel - Control (Prior to September 2004)	1
		00-497126-00001 Panel - Control (Standard Oven) (September 2004 to Present)	1

RANGE - GH45/72 & GHM45/72 (CON'T.)

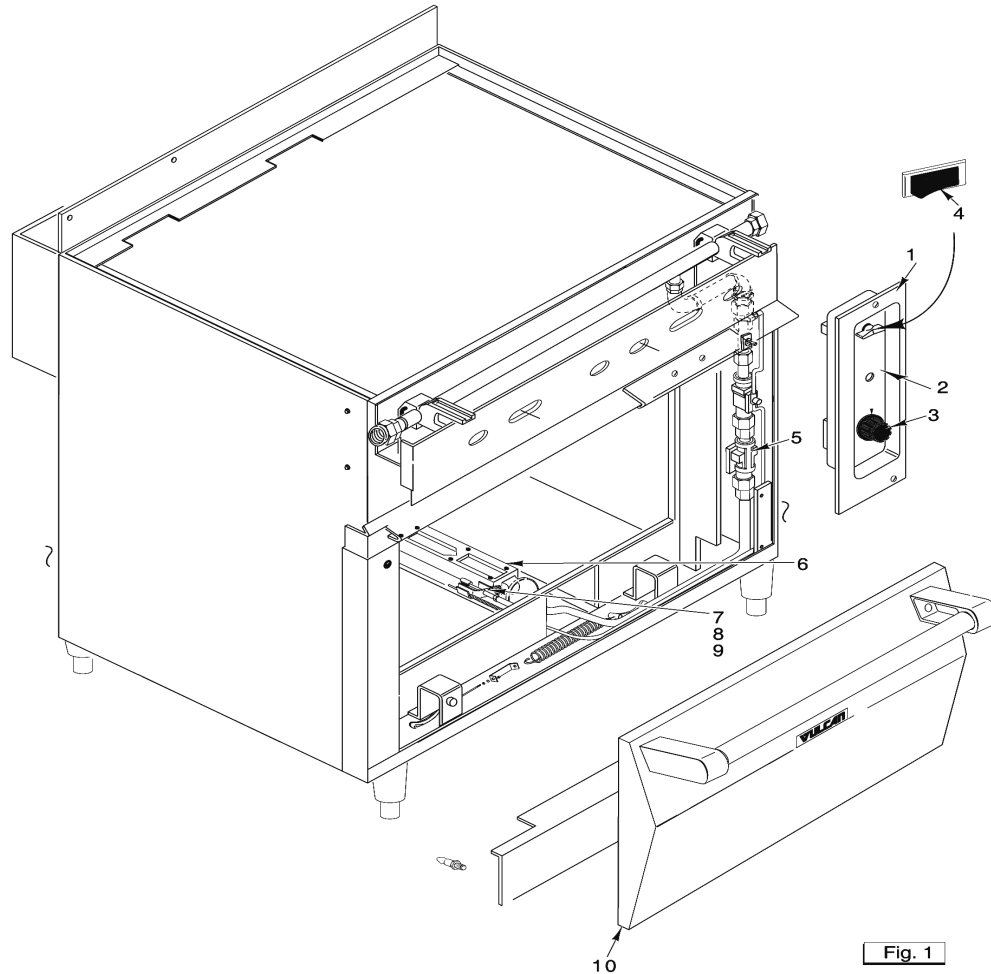
ILLUS. PL-51692A	PART NO.	NAME OF PART	AMT.
*22	00-411496-000B4	Switch - On/Off (Convection Oven)	1
*23	00-402957-00002	Handle - Gas Cock (RED)	1
*24	00-413614-00001	Knob - Thermostat (Std. Oven)	1
*25	00-413976-00001	Knob - Thermostat (Convection Oven)	1
*26	00-407789-00001	Valve - Service (Std. Oven)	1
*27	00-407798-00004	Valve - Pilot Control (Prior to September 2000)	1
	00-427083-00002	Valve - Pilot Control (Safety Valve) TS11 (September 2000 Thru August 2004)	1
	00-720719	Valve - Pilot Control (Safety Valve) BASO (September 2004 to Present)	1
*28	00-407522-00001	Thermostat (Std. Oven)	1
*29	00-411506-00003	Thermostat (Convection Oven)	1
*30	00-409704-00001	Side - Body (R.H.)(Ptd.)	2
*31	00-409704-00003	Side - Body (R.H.)(SST)	1
*32	00-408919-000G7	Body - Side (R.H.)(SST)	1
*33	00-409840-00006	Leg (SST)	4
*34	00-409790-00001	Post - Door (R.H.)	1
*35	00-409790-00002	Post - Door (L.H.)	1
*36	00-409793-00001	Handle - Oven Door	1
*37	00-421106-00001	Catch - Kick Panel	2
*38	00-421105-00001	Strike - Kick Panel	2
*39	00-420775-000G1	Burner Box Cover (Oven)	1
*40	00-409791-000G2	Door Assy.	1
*41	00-409125-00001	Pilot Assy. - Burner (Nat. Gas) (.020 Dia.) (Oven Section) (Prior to September 2000)	1
	00-426262-00001	Pilot Assy. (Nat. Gas) (September 2000 to Present)	1
*42	00-409125-00002	Pilot Assy. (MFG) (.024 Dia.) (Oven Section) (Prior to September 2000)	1
	00-426262-00003	Pilot Assy. (MFG Gas) (September 2000 to Present)	1
*43	00-409125-00003	Pilot Assy. - Burner (L.P.) (.009 Dia.) (Oven Section) (Prior to September 2000)	1
	00-426262-00002	Pilot Assy. (L.P. Gas) (September 2000 to Present)	1
*44	00-412014-00001	Spring - W/Swivel Hook	1
45	00-413090-00001	Bracket - Spring	1
*46	00-413091-00002	Bolt - J	1
*47	00-403971-00001	Pin - Bell Crank	2
*48	00-403956-00001	Crank - Bell	2
*49	00-420779-000G1	Front Frame Assy. (Std. Oven)	1
*50	00-421104-000G1	Front Frame Assy. (Convection Oven)	1
*51	00-409819-000G2	Burner Assy. (Lower)(Std. Oven)	1
*52	00-413957-000G1	Oven Burner Assy. (Convection Oven)	1
53	00-420560-00001	Knob - Top Burner	3
54	00-408379-00004	Valve - Burner (Top)	2
*55	00-420773-00001	Cover - Front (L.H.) W/O Hole	1
*56	00-420773-00002	Cover - Front (L.H.) W/Hole	1
57	00-420786-00001	Valve - Dual Burner	1
58	00-409805-00001	Tube - Burner (Long)(R.H.)	1
*59	00-409704-00002	Body - Side (L.H.)(Ptd.)	1
*60	00-409704-00004	Body - Side (L.H.)(SST)	1
*61	00-408919-000G8	Body - Side (L.H.)(SST)	1
62	00-409871-00001	Tube - Burner (Short)(R.H.)	1
63	00-414994-00002	Tube - Pilot (Tube Tee to Valve)(R.H.)	1
64	00-414994-00001	Tube - Pilot (Tube Tee to Valve)(L.H.)	1
65	FP-081-74	Tee 1/4 x 1/4 x 1/4	1
66	00-415044-00001	Clip - Burner	2
*67	00-409705-00001	Body - Back (Aluminum)	1
68	00-409638-00001	Box - Flue (Aluminum)	1
69	00-414993-00001	Tube - Pilot (Tee to Pilot)	1
70	00-409807-00001	Bracket - Pilot	2
71	00-409125-00010	Pilot Assy. (Nat.) (.020 Dia.) (GH45 Side)	2
72	00-409125-00012	Pilot Assy. (LP) (.009 Dia.) (GH45 Side)	2
73	00-409125-00011	Pilot Assy.(MFG.) (.024 Dia.) (GH45 Side)	2
74	00-409417-00001	Burner Head (GH45, GHM45)	2
	00-409416-000G1	Lower Burner Assy. (GH45, GHM45)	2

*GH Models Only.

**GHM Models Only.

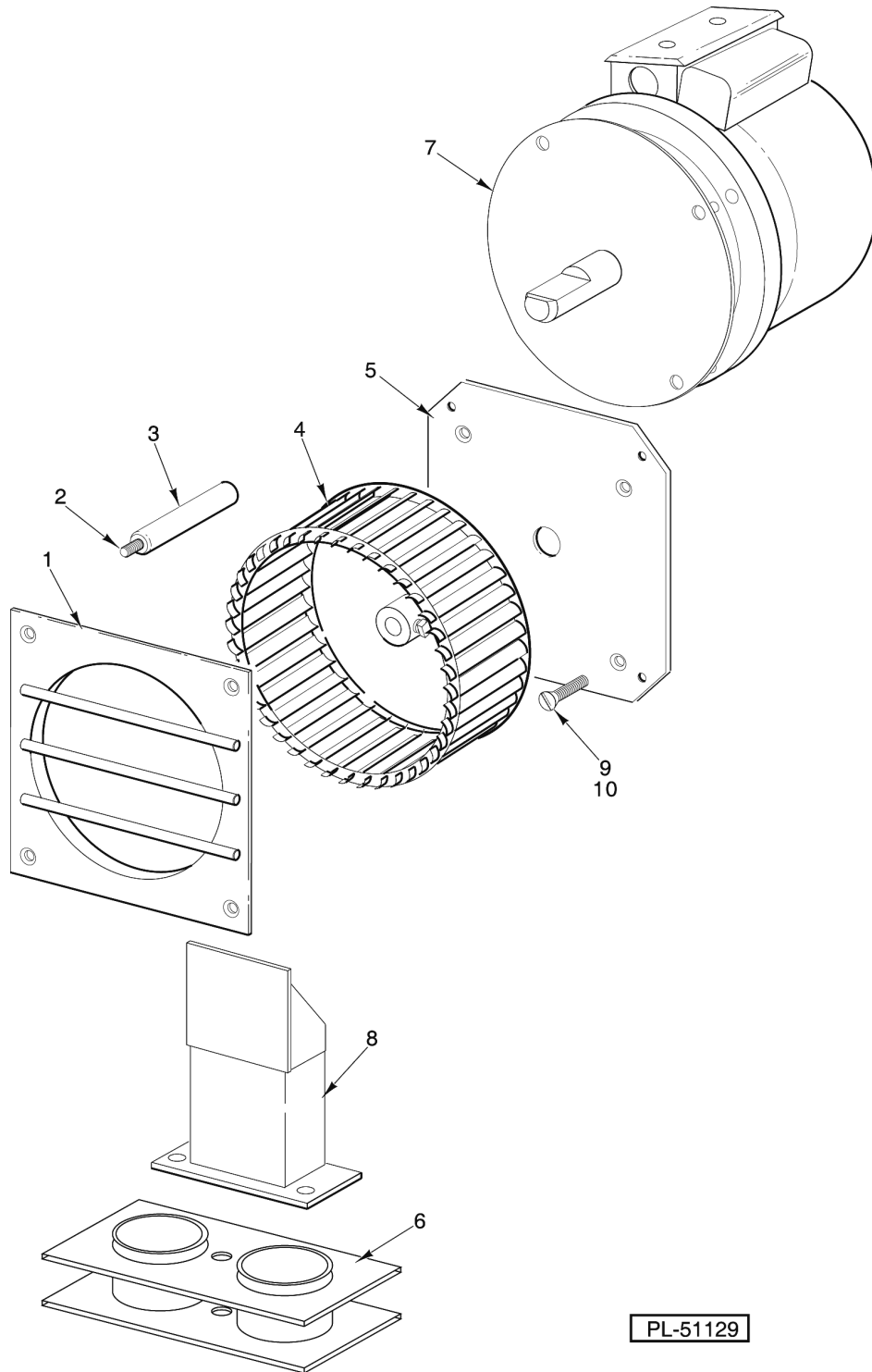
RANGE - GH45/72 & GHM45/72 (CON'T.)

ILLUS. PL-51692A	PART NO.	NAME OF PART	AMT.
75	00-404079-0000F	Nozzle - Burner	2
76	00-010901-00040	Orifice (Nat. Gas)	2
77	00-010901-00052	Orifice (L.P. Gas)	2
78	00-010901-00029	Orifice (MFG. Gas)	2
79	00-404060-00003	Mixer - Air	2
80	00-409650-00003	Back - Top	1
81	00-420664-000G2	Front Top Assy. (34" Wide)(SST)	1
	00-405848-00001	Center Brick	2
	00-406241-00001	Side Brick	4
	00-405881-00001	Bracket - Front Manifold	2
	00-405880-00001	Bracket - Rear Manifold	2
	00-404629-00002	Bushing - Door Hinge Pin	2
	00-405618-00001	Door Hook - LH	1
	00-405618-00002	Door Hook - RH	1
	00-409675-00001	Burner Closure - Standard Oven	1
	00-420778-00001	Catch Bracket - Kick Panel	2
	00-412788-00002	Thermocouple - TS11	1
	00-412788-00004	Thermocouple - BASO	1
	00-497002-00001	Caster, Swivel	2
	00-497002-00002	Caster, W/Brake	2
	00-413966-00004	Overlay, Control Panel - Standard Oven (Prior to September 2004)	1
	00-497127-00001	Overlay, Control Panel - Standard Oven (September 2004 to Present)	1
	00-415677-00001	Capillary Clip (Oven Thermostat)	1
	00-407522-00006	Thermostat (650 Degree) ("Lobster" Oven)	1
	00-412527-00001	Knob -Thermostat (650 Degree)	1
	00-419810-00001	Plate (Replaces Oven Bottom Assy. for "Lobster" Oven)	1
	00-413746-00001	Bracket - Burner/Drip Tray Handle	2



GH SERIES RANGES - CONVECTION OVEN PARTS

ILLUS. Fig. 1	PART NO.	NAME OF PART	AMT.
1	00-420774-00001	Panel - Control (Prior to September 2004)	1
	00-497126-00002	Panel - Control (September 2004 to Present)	1
2	00-413966-00003	Overlay - Control Panel (Prior to September 2004)	1
	00-497127-00002	Overlay - Control Panel (September 2004 to Present)	1
3	00-413976-00001	Knob - Thermostat (Convection Oven)	1
4	00-411496-000B4	Rocker Switch - ON/OFF, Lighted	1
5	00-411506-00003	Thermostat (Convection Oven)	1
6	00-413957-000G1	Oven Burner Assy. (Convection Oven)	1
7	00-409125-00001	Pilot Assy. (Nat. Gas) (.020 Dia.) (Prior to September 2000)	1
	00-426262-00001	Pilot Assy. (Nat. Gas) (September 2000 to Present)	1
8	00-409125-00002	Pilot Assy. (L.P. Gas) (.009 Dia.) (Prior to September 2000)	1
	00-426262-00002	Pilot Assy. (L.P. Gas) (September 2000 to Present)	1
9	00-409125-00003	Pilot Assy. (MFG Gas) (.024 Dia.) (Prior to September 2000)	1
	00-426262-00003	Pilot Assy. (MFG Gas) (September 2000 to Present)	1
10	00-409791-000G4	Door Assy. - Convection Oven	1
	00-418557	Gasket - Oven Door	1
	00-411496-000E4	Light - Indicator	1
	00-411496-000F1	Switch - Door	1
	00-428067-000G4	Gas Solenoid Valve - Replacement Kit (Prior to June 2002)	1
	00-428045-00001	Gas Solenoid Valve (June 2002 to Present)	1
	00-414000-00001	Closure - Oven Burner	1
	00-414487-00001	Motor Bumper Bar	1
	00-415957-00002	Collar w/set Screw for Door Switch	1
	00-414267-00001	Drip Pan (For Oven)	1
00-422096-000G1	Wiring Harness - Complete	1	

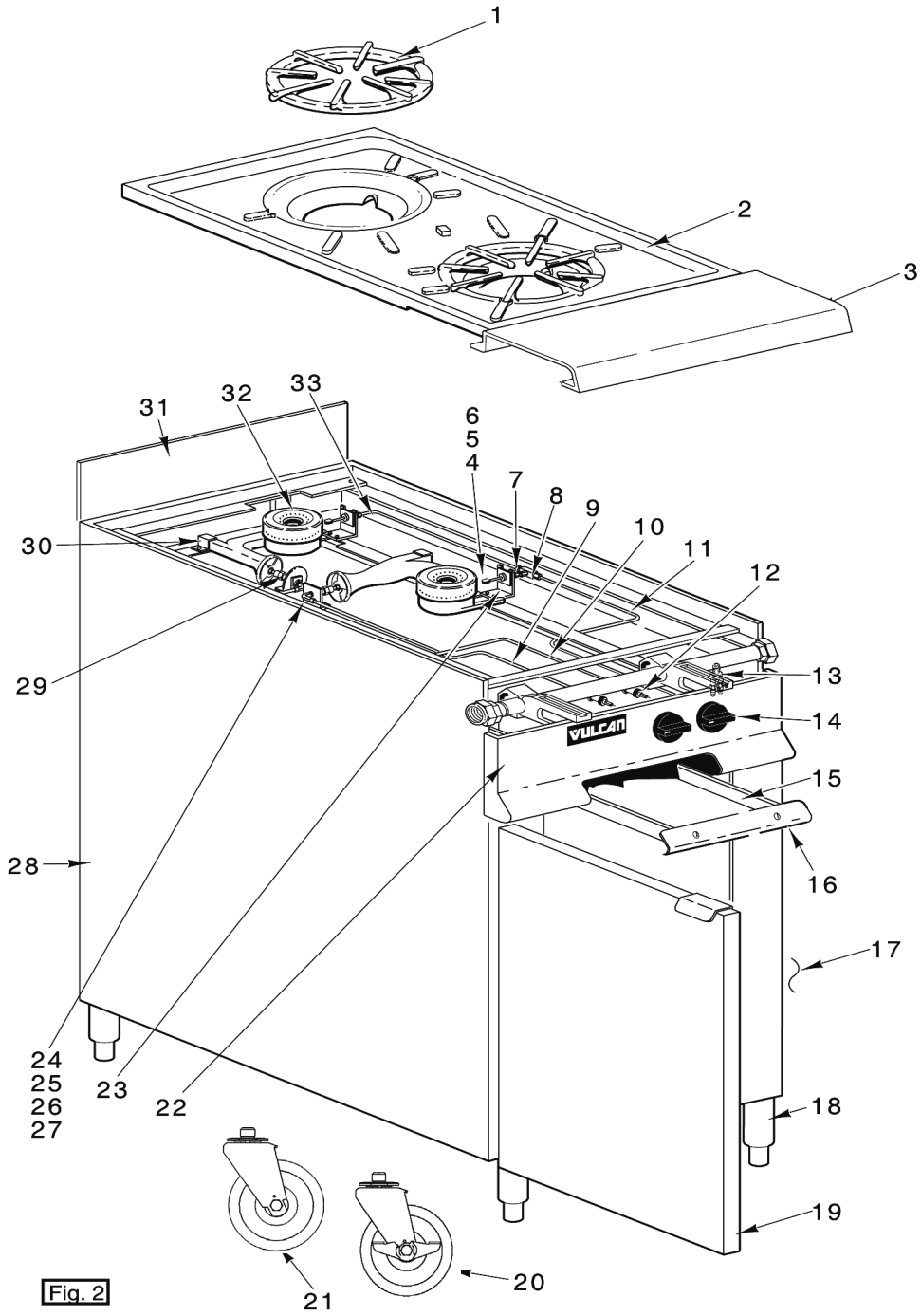


PL-51129

CONVECTION OVEN CAVITY

CONVECTION OVEN CAVITY

ILLUS. PL-51129	PART NO.	NAME OF PART	AMT.
1	00-413990-000G1	Fan Cover Assy.	1
2	SC-081-26	Mach. Screw 1/4-20 x 3-1/2 Rd. Hd.	4
3	00-411289-00001	Spacer - Fan Housing (1/8 Pipe x 27/8)	4
4	00-415780-00007	Rotor - Air	1
5	00-413987-00001	Mount - Motor	1
6	00-413588-000G2	Vent Assy.	1
7	00-419730-00001	Motor 1/4 H.P., 115V	1
8	00-413627-000G2	Tube - Snorkel Assy.	1
9	SC-120-14	Mach. Screw 1/4-20 x 2 Flat Hd.	4
10	NS-031-18	Stop Nut 1/4-20 Hex	4
	00-419719-00002	Bracket, Motor Mounting	2
	00-413975-000G1	Box, Motor Mounting	1
	00-414426-00001	Fan, Cooling	1
	00-414446-000G1	Panel, Back (For Units W/Cooling Fan)	1



RANGE - GHX45 & GHXM45

RANGE - GHX45 & GHXM45

ILLUS. Fig. 2	PART NO.	NAME OF PART	AMT.
1	00-409432-00001	Grate - Cast Iron	2
2	00-409433-00001	Plate - Top Cast Iron	1
3	00-420663-000G2	Top - Front (17" Wide)(SST)	1
4	00-409125-00010	Pilot Assy. (Nat.) (.020 Dia.)	2
5	00-409125-00012	Pilot Assy. (LP) (.009 Dia.)	2
6	00-409125-00011	Pilot Assy.(MFG.) (.024 Dia.)	2
7	00-415003-00001	Tube - Pilot Extension	1
8	FP-081-74	Tee 1/4 x 1/4 x 1/4	1
9	00-409871-00001	Tube - Burner (Short)(R.H.)	1
10	00-409805-00001	Tube - Burner (Long)(R.H.)	1
11	00-414994-00002	Tube - Pilot (Tube Tee to Valve)(R.H.)	1
12	00-408379-00004	Valve - Burner (Top)	2
13	00-420786-00001	Valve - Dual Burner	1
14	00-420560-00001	Knob - Top Burner	2
15	00-409888-00009	Burner Tray Assy.	1
16	00-413747-00004	Handle - Drip Tray	1
*17	00-409869-00003	Body - Side (R.H.)	1
*18	00-409840-00006	Leg (SST)	4
*19	00-412945-000G3	Door Assy.	1
*20	00-497002-00002	Caster W/Brake	2
*21	00-497002-00001	Caster W/O Brake	2
22	00-413751-00002	Cover - Manifold	1
23	00-409807-00001	Bracket - Pilot	2
24	00-404079-0000F	Nozzle - Burner	2
25	00-010901-00040	Orifice (Nat. Gas)	2
26	00-010901-00052	Orifice (L.P. Gas)	2
27	00-010901-00029	Orifice (MFG. Gas)	2
*28	00-409869-00004	Body - Side (L.H.)	1
29	00-404060-00003	Mixer - Air	2
30	00-415044-00001	Clip - Burner	2
31	00-409650-00003	Back - Top	1
32	00-409417-00001	Burner Head	2
	00-409416-000G1	Lower Burner Assy.	2
33	00-414993-00001	Tube - Pilot (Tee to Pilot)	1
	00-408615-00021	Handle - Cabinet Door	1
	00-412779-00003	Hinge - RH Door	1
	00-412779-00004	Hinge - LH Door	1
	00-408834-00001	Magnet - Door	1

*GHX Models Only.

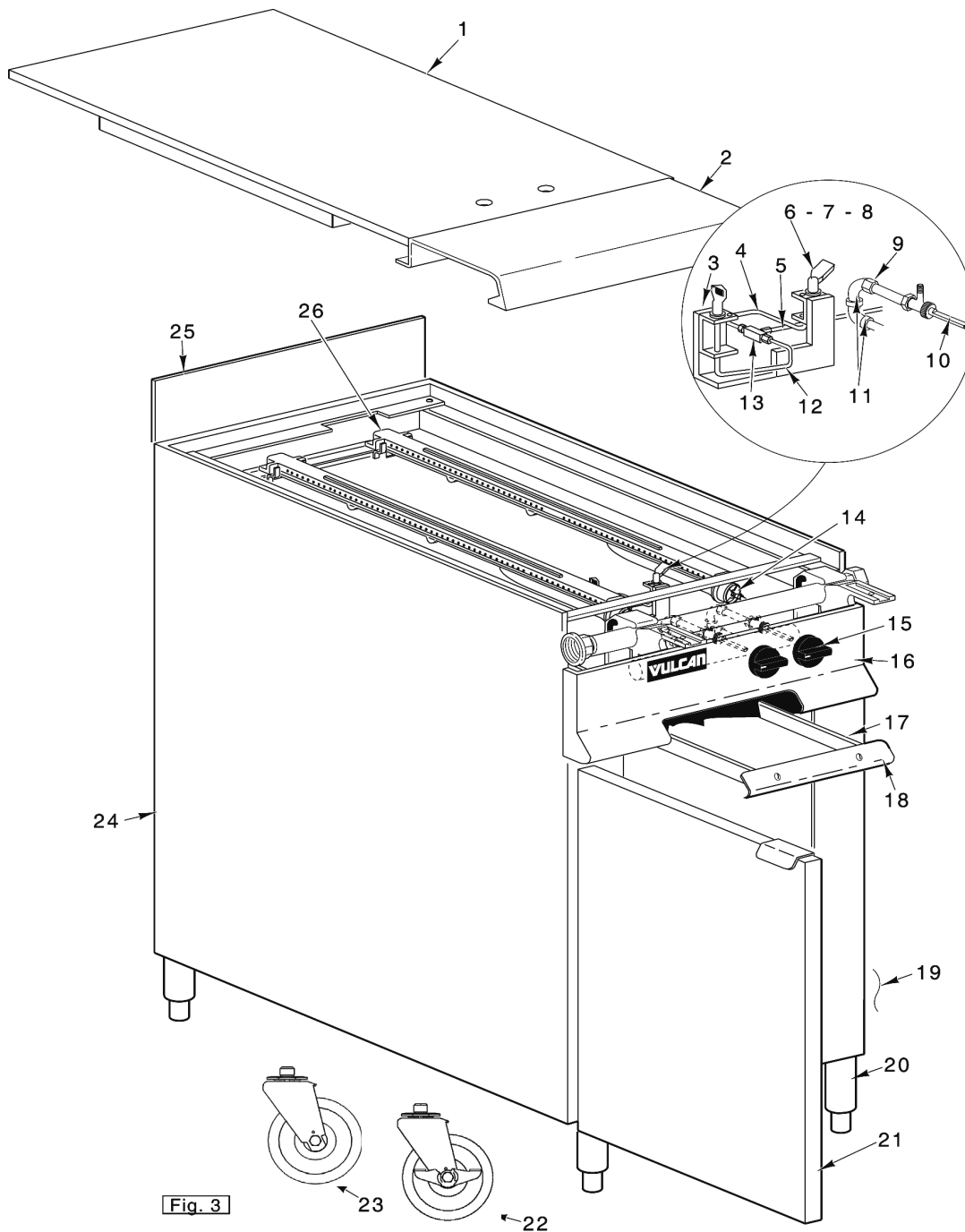


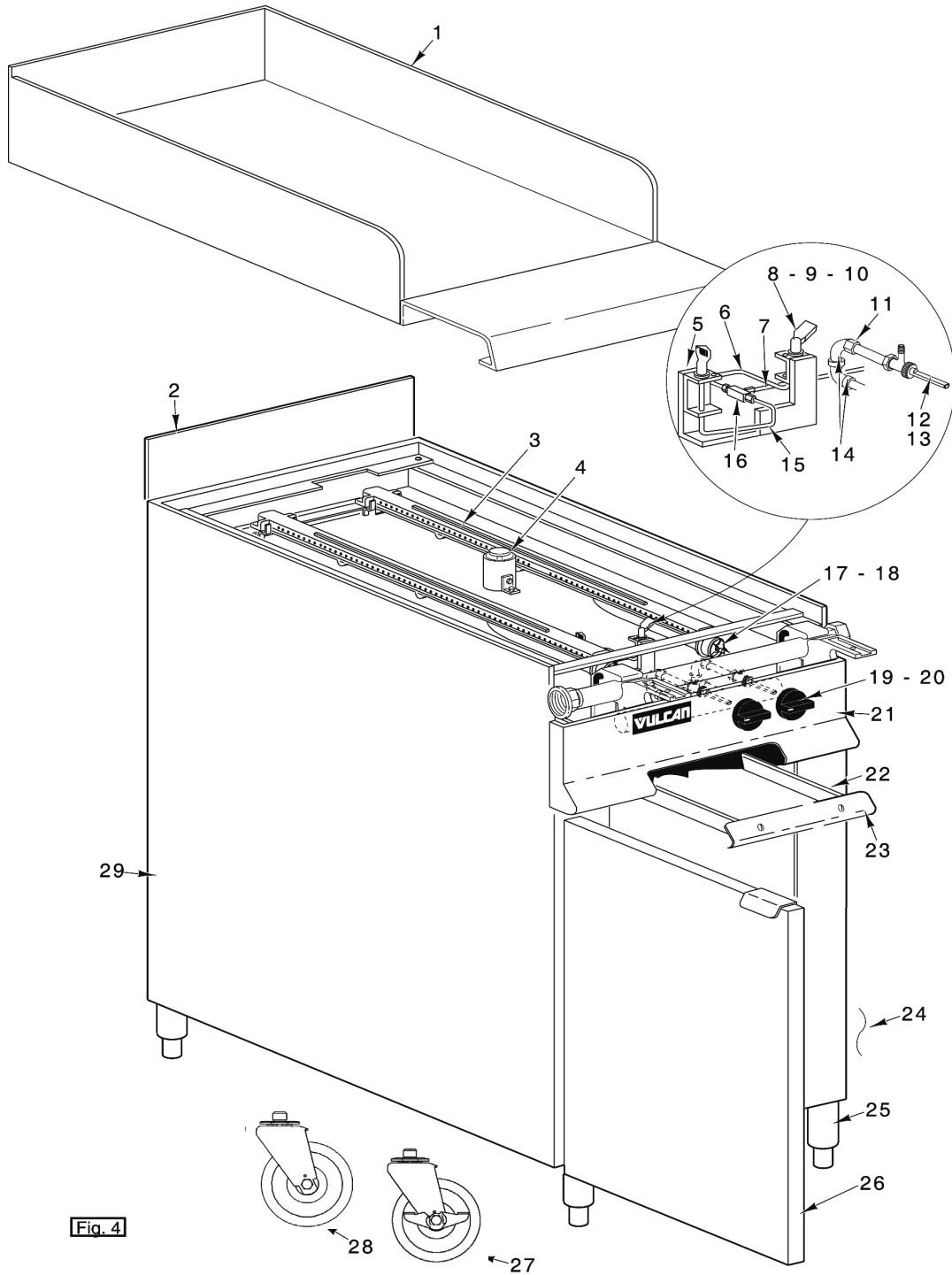
Fig. 3

RANGE - GHX72 & GHXM72

RANGE - GHX72 & GHXM72

ILLUS. Fig. 3	PART NO.	NAME OF PART	AMT.
1	00-404772-00001	Top - Even Heat	1
2	00-420663-000G2	Top - Front (17" Wide)(SST)	1
3	00-409813-00001	Bracket - Pilot (MTG.)	1
4	00-409816-00002	Tubing - (Tee to R.H. Pilot)	1
5	00-409815-00001	Tubing - Pilot (L.H.)(Tee to Manifold)	1
6	00-409839-00001	Burner - Pilot (Nat.)	2
7	00-409839-00002	Burner - Pilot (MFG.)	2
8	00-409839-00003	Burner - Pilot (LP)	2
9	FP-086-07	Fitting - Tube (7/16 Tube to 3/8 FPT)	1
10	00-408379-00004	Valve - Burner (Top)	1
11	FP-078-75	Elbow - Pipe 3/8 x 90 Deg.	2
12	00-414824-00001	Tubing - Pilot (L.H.)	1
13	FP-081-74	Tee 1/4 x 1/4 x 1/4	1
14	00-404060-00003	Mixer - Air	1
15	00-420560-00001	Knob - Top Burner	2
16	00-409879-00002	Manifold Cover	1
17	00-409888-00009	Burner Tray Assy.	1
18	00-410491-00003	Handle - Drip Tray	1
*19	00-409869-00003	Body - Side (R.H.)	1
*20	00-409840-00006	Leg (SST)	4
*21	00-412945-000G3	Door Assy.	1
*22	00-497002-00002	Caster W/Brake	2
*23	00-497002-00001	Caster W/O Brake	2
*24	00-409869-00004	Body - Side (L.H.)	1
25	00-409649-00003	Back - Top	1
26	00-405831-000G3	Burner Assembly	2
	00-405848-00001	Center Brick	2
	00-406241-00001	Side Brick	4
	00-408615-00021	Handle - Cabinet Door	1
	00-412779-00003	Hinge - RH Door	1
	00-412779-00004	Hinge - LH Door	1
	00-408834-00001	Magnet - Door	1

*GHX Models Only.

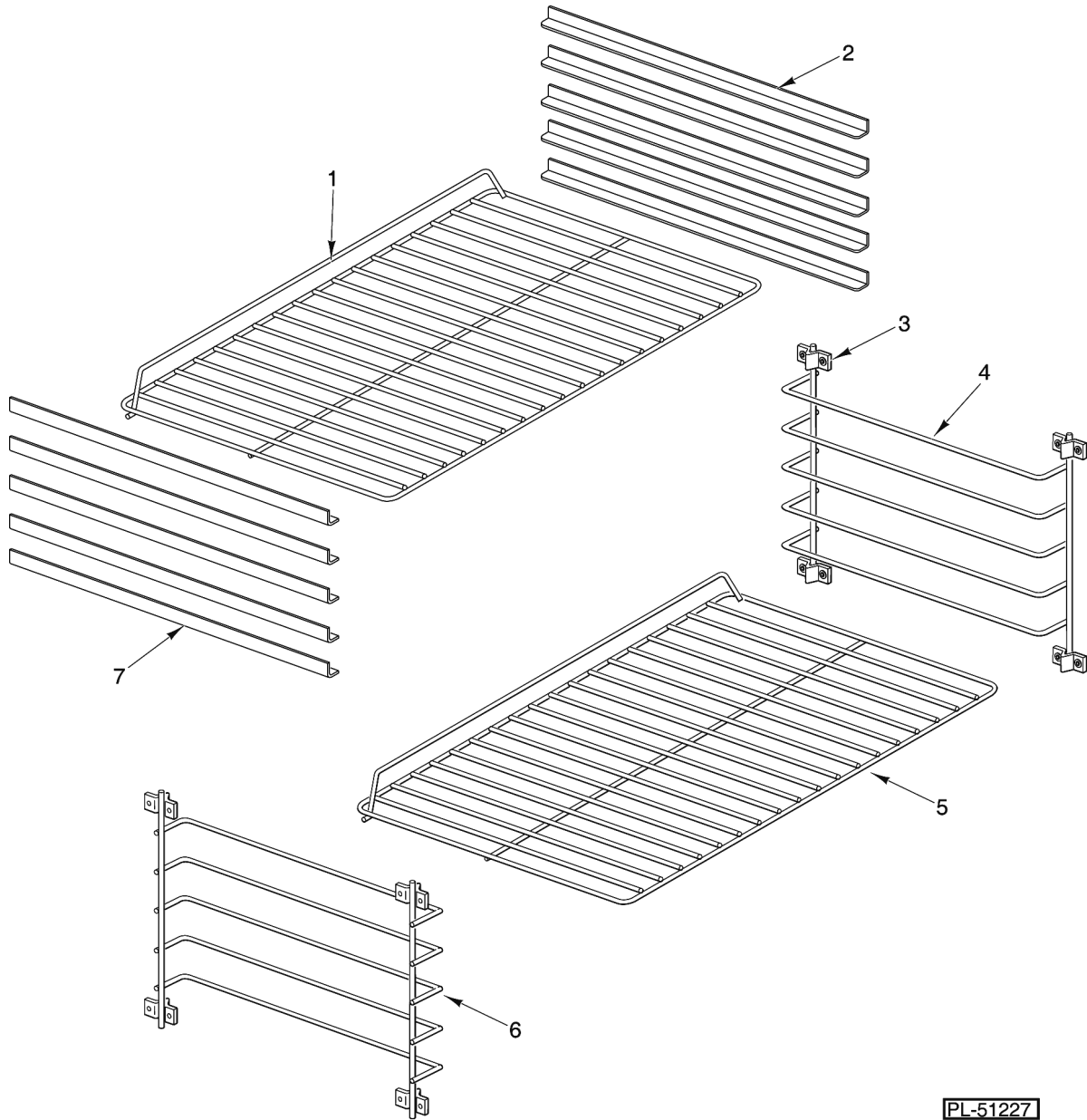


RANGE - GHX60/GHXM60 & GHX60T, GHXM60T

RANGE - GHX60/GHXM60 & GHX60T, GHXM60T

ILLUS. Fig. 4	PART NO.	NAME OF PART	AMT.
1	00-427474-000G4	Plate - Steel Griddle Assy.	1
2	00-409650-00003	Back - Top	1
3	00-405831-000G3	Burner Assy. (GHX60, GHXM60)	2
4	00-427318-00001	Thermostat (Griddle)	1
5	00-409813-00001	Support - Pilot (Top)	1
6	00-409816-00002	Tubing - (Tee to R.H. Pilot)	1
7	00-409815-00001	Tubing - Pilot (L.H.)(Tee to Manifold)	1
8	00-409839-00001	Burner - Pilot (Nat.)	1
9	00-409839-00002	Burner - Pilot (MFG.)	1
10	00-409839-00003	Burner - Pilot (LP)	1
11	FP-086-07	Fitting - Tube (7/16 Tube to 3/8 FPT)	1
12	00-408379-00004	Valve - Burner Top (GHX60)	1
13	00-407789-00001	Valve - Burner Top (GHX60T)	1
14	FP-078-75	Elbow - Pipe 3/8 x 90 Deg.	1
15	00-414824-00001	Tubing - Pilot (L.H.)	1
16	FP-081-74	Tee 1/4 x 1/4 x 1/4	1
17	00-404060-00001	Mixer - Air	2
18	00-417879-00001	Nozzle - Pilot Burner	1
19	00-420560-00001	Knob - Top Burner	2
20	00-413617-00001	Dial - Thermostat	2
21	00-409879-00002	Manifold Cover (GHX60)	1
	00-409881-00002	Manifold Cover (GHX60T)	1
22	00-409888-00009	Burner Tray Assy.	1
23	00-410491-00003	Handle - Drip Tray	1
*24	00-409869-00003	Body - Side (R.H.)	1
*25	00-409840-00006	Leg (SST)	4
*26	00-412945-000G3	Door Assy.	1
*27	00-497002-00002	Caster W/Brake	2
*28	00-497002-00001	Caster W/O Brake	2
*29	00-409869-00004	Body - Side (L.H.)	1
	00-408615-00021	Handle - Cabinet Door	1
	00-412779-00003	Hinge - Door (RH)	1
	00-412779-00004	Hinge - Door (LH)	1
	00-408834-00001	Magnet - Door	1
	00-405848-00001	Center Brick	2
	00-406241-00001	Side Brick	4
	00-409682-000G4	Grease Collector (GHX60, GHX60T)	1
	00-409682-000G10	Grease Collector (GHXM60, GHXM60T) (Modular Unit)	1
	00-427481-000G1	Griddle Thermostat Replacement Kit	1
	FP-067-41	Drain Tube (From Griddle Plate to Grease Pan)	1

*GHX Models Only.
**GHXM Models Only.



RACKS & SUPPORTS

ILLUS. PL-51227	PART NO.	NAME OF PART	AMT.
1	00-404074-00002	Rack - Oven (Standard Oven)	AR
2	00-409778-000G1	Lining - Side (R.H.)(Standard Oven)	1
3	00-413951-00001	Clip - Wire Rack Support	8
4	00-415430-00001	Support - Rack (R.H.)	1
5	00-413991-00001	Rack - Oven (Convection Oven)	AR
6	00-415430-00002	Support - Rack (L.H.)	1
7	00-409778-000G2	Lining - Side (L.H.)(Standard Oven)	1

**RECOMMENDED SPARE PARTS
HEAVY DUTY RANGES - GH30
STANDARD AND CONVECTION OVENS
BUILT AFTER JULY 2000**

PART NO.	NAME OF PART	AMT.
00-409839-00001	Top Pilot Burner (Nat. Gas)	2
00-409839-00003	Top Pilot Burner (L.P. Gas)	2
00-402601	Top Burner Valve	2
00-420560-00001	Knob - Burner Valve	2
00-402957-00002	Knob - Red ON/OFF	2
00-412014-00001	Spring - Door	2
00-403956-00001	Bell Crank	2
00-413091-00002	J-Hook for Spring	2
00-407789-00001	Service Valve	2
00-405618-00001	Hook - Bell Crank (RH)	2
00-405618-00002	Hook - Bell Crank (LH)	2
00-407522-00001	Thermostat - Oven	2
00-413614-00001	Knob - Thermostat	2
00-408279-00006	Regulator (L.P. Gas) 3/4	2
00-408279-00005	Regulator (Nat. Gas) 3/4	2
00-426262-00001	Pilot - Burner (Oven) (Nat. Gas)	2
00-426262-00002	Pilot - Burner (Oven) (L.P. Gas)	2
00-427083-00002	Safety Valve (TS11)	2
00-412788-00002	Thermocouple (TS11)	2
00-720719	Safety Valve (BASO)	2
00-412788-00004	Thermocouple (with 00-720719)	2

CONVECTION OVENS

00-419730-00001	Motor - 120V	1
00-411496-000F1	Switch - Micro	2
00-411496-000B4	Switch - ON/OFF	2
00-411496-000E4	Light - ON	2
00-426262-00001	Pilot Assy. (Nat. Gas)	2
00-426262-00002	Pilot Assy. (L.P. Gas)	2
00-418557	Gasket - Door	1
00-413976-00001	Knob - Thermostat	2
00-411506-00003	Thermostat (Convection Oven)	2

**RECOMMENDED SPARE PARTS
HEAVY DUTY RANGES - GH45
STANDARD AND CONVECTION OVENS
BUILT AFTER JULY 2000**

PART NO.	NAME OF PART	AMT.
00-409125-00010	Top Pilot Burner (Nat. Gas)	2
00-409125-00012	Top Pilot Burner (L.P. Gas)	2
00-408379-00004	Top Burner Valve	2
00-420560-00001	Knob - Burner Valve	2
00-402957-00002	Knob - Red ON/OFF	2
00-412014-00001	Spring - Door	2
00-403956-00001	Bell Crank	2
00-413091-00002	J-Hook for Spring	2
00-407789-00001	Service Valve	2
00-405618-00001	Hook - Bell Crank (RH)	2
00-405618-00002	Hook - Bell Crank (LH)	2
00-407522-00001	Thermostat - Oven	2
00-413614-00001	Knob - Thermostat	2
00-408279-00006	Regulator (L.P. Gas) 3/4	2
00-408279-00005	Regulator (Nat. Gas) 3/4	2
00-426262-00001	Pilot - Burner (Oven) (Nat. Gas)	2
00-426262-00002	Pilot - Burner (Oven) (L.P. Gas)	2
00-427083-00002	Safety Valve (TS11)	2
00-412788-00002	Thermocouple (with 00-427083-00002)	2
00-720719	Safety Valve (BASO)	2
00-412788-00004	Thermocouple (with 00-720719)	2

CONVECTION OVENS

00-419730-00001	Motor - 120V	1
00-411496-000F1	Switch - Micro	2
00-418557	Gasket - Door	1
00-411496-000B4	Switch - ON/OFF	2
00-411496-000E4	Light - ON	2
00-426262-00001	Pilot - Assy. (Nat. Gas)	2
00-426262-00002	Pilot - Assy. (L.P. Gas)	2
00-413976-00001	Knob - Thermostat	2
00-411506-00003	Thermostat (Convection Oven)	2

**RECOMMENDED SPARE PARTS
HEAVY DUTY RANGES - GH6
STANDARD AND CONVECTION OVENS
BUILT AFTER JULY 2000**

PART NO.	NAME OF PART	AMT.
00-428416-000G1	Top Pilot Tube Assy. (Front)	3
00-428416-000G2	Top Pilot Tube Assy. (Rear)	3
00-408379-00003	Top Burner Valve	2
00-420560-00001	Knob - Burner Valve	2
00-402957-00002	Knob - Red ON/OFF	2
00-412014-00001	Spring - Door	2
00-403956-00001	Bell Crank	2
00-413091-00002	J-Hook for Spring	2
00-407789-00001	Service Valve	2
00-405618-00001	Hook - Bell Crank (RH)	2
00-405618-00002	Hook - Bell Crank (LH)	2
00-407522-00001	Thermostat - Oven	2
00-413614-00001	Knob - Thermostat	2
00-408279-00006	Regulator (L.P. Gas) 3/4	2
00-408279-00005	Regulator (Nat. Gas) 3/4	2
00-427083-00002	Safety Valve (TS11)	2
00-412788-00002	Thermocouple (with 00-427083-00002)	2
00-720719	Safety Valve (BASO)	2
00-412788-00004	Thermocouple (with 00-720719)	2

CONVECTION OVENS

00-419730-00001	Motor - 120V	1
00-411496-000F1	Switch - Micro	2
00-418557	Gasket - Door	1
00-411496-000B4	Switch - ON/OFF	2
00-411496-000E4	Light - ON	2
00-426262-00001	Pilot - Assy. (Nat. Gas)	2
00-426262-00002	Pilot - Assy. (L.P. Gas)	2
00-413976-00001	Knob - Thermostat	2
00-411506-00003	Thermostat (Convection Oven)	2

**RECOMMENDED SPARE PARTS
HEAVY DUTY RANGES - GH60
STANDARD AND CONVECTION OVENS
BUILT AFTER JULY 2000**

PART NO.	NAME OF PART	AMT.
00-427318-00001	Thermostat - Griddle	2
00-417576-00005	Knob - Griddle Thermostat	2
00-408379-00004	Griddle Burner Valve (Non Thermostat)	2
00-420560-00001	Knob - Griddle Burner Valve	2
00-402957-00002	Knob - Red ON/OFF	2
00-412014-00001	Spring - Door	2
00-403956-00001	Bell Crank	2
00-413091-00002	J-Hook for Spring	2
00-407789-00001	Service Valve	2
00-405618-00001	Hook - Bell Crank (RH)	2
00-405618-00002	Hook - Bell Crank (LH)	2
00-407522-00001	Thermostat - Oven	2
00-413614-00001	Knob - Thermostat	2
00-408279-00006	Regulator (L.P. Gas) 3/4	2
00-408279-00005	Regulator (Nat. Gas) 3/4	2
00-427083-00002	Safety Valve (TS11)	2
00-412788-00002	Thermocouple (with 00-427083-00002)	2
00-720719	Safety Valve (BASO)	2
00-412788-00004	Thermocouple (with 00-720719)	2

CONVECTION OVENS

00-419730-00001	Motor - 120V	1
00-411496-000F1	Switch - Micro	2
00-418557	Gasket - Door	1
00-411496-000B4	Switch - ON/OFF	2
00-411496-000E4	Light - ON	2
00-426262-00001	Pilot - Assy. (Nat. Gas)	2
00-426262-00002	Pilot - Assy. (L.P. Gas)	2
00-413976-00001	Knob - Thermostat	2
00-411506-00003	Thermostat (Convection Oven)	2

**RECOMMENDED SPARE PARTS
HEAVY DUTY RANGES - GH72
STANDARD AND CONVECTION OVENS
BUILT AFTER JULY 2000**

PART NO.	NAME OF PART	AMT.
00-409839-00001	Top Pilot Burner (Nat. Gas)	2
00-409839-00003	Top Pilot Burner (L.P. Gas)	2
00-408379-00004	Top Burner Valve	2
00-420560-00001	Knob - Top Burner Valve	2
00-402957-00002	Knob - Red ON/OFF	2
00-412014-00001	Spring - Door	2
00-403956-00001	Bell Crank	2
00-413091-00002	J-Hook for Spring	2
00-407789-00001	Service Valve	2
00-405618-00001	Hook - Bell Crank (RH)	2
00-405618-00002	Hook - Bell Crank (LH)	2
00-407522-00001	Thermostat - Oven	2
00-413614-00001	Knob - Thermostat	2
00-408279-00006	Regulator (L.P. Gas) 3/4	2
00-408279-00005	Regulator (Nat. Gas) 3/4	2
00-427083-00002	Safety Valve (TS11)	2
00-412788-00002	Thermocouple (with 00-427083-00002)	2
00-720719	Safety Valve (BASO)	2
00-412788-00004	Thermocouple (with 00-720719)	2

CONVECTION OVENS

00-419730-00001	Motor - 120V	1
00-411496-000F1	Switch - Micro	2
00-418557	Gasket - Door	2
00-411496-000B4	Switch - ON/OFF	2
00-411496-000E5	Light - ON	2
00-426262-00001	Pilot - Assy. (Nat. Gas)	2
00-426262-00002	Pilot - Assy. (L.P. Gas)	2
00-413976-00001	Knob - Thermostat	2
00-411506-00003	Thermostat (Convection Oven)	2