

## CATALOG OF REPLACEMENT PARTS

### HEAVY DUTY GAS BROILERS

#### CERAMIC BROILERS

MODELS	MLS
GHCB40C	ML-52212
GHCB40	ML-52211
GHCB44	ML-52213
GHMCB44	ML-52214
HCB1	ML-52202
HCB2T	ML-52203
HCB2B	ML-52208

#### SUNGLOW BROILERS

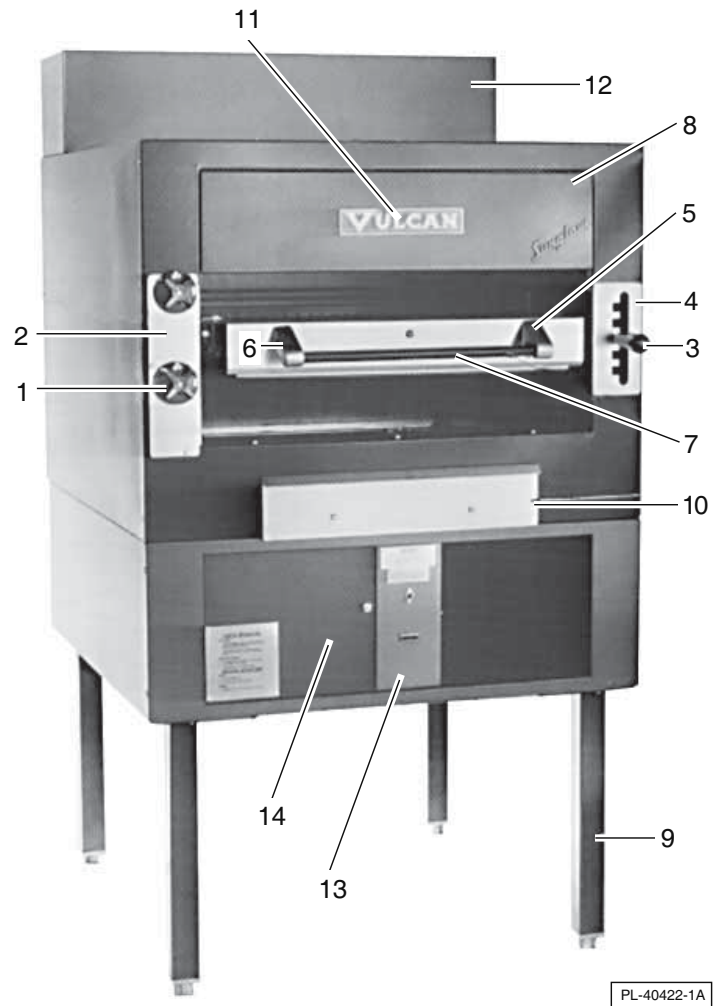
MODELS	MLS
IR1	ML-52200
IR2T	ML-52207
IR2B	ML-52201
GHIR44	ML-52210



For additional information on Vulcan-Hart or to locate an authorized parts and service provider in your area, visit our website at [www.vulcanhart.com](http://www.vulcanhart.com)

# HEAVY DUTY GAS BROILER REPLACEMENT PARTS

---



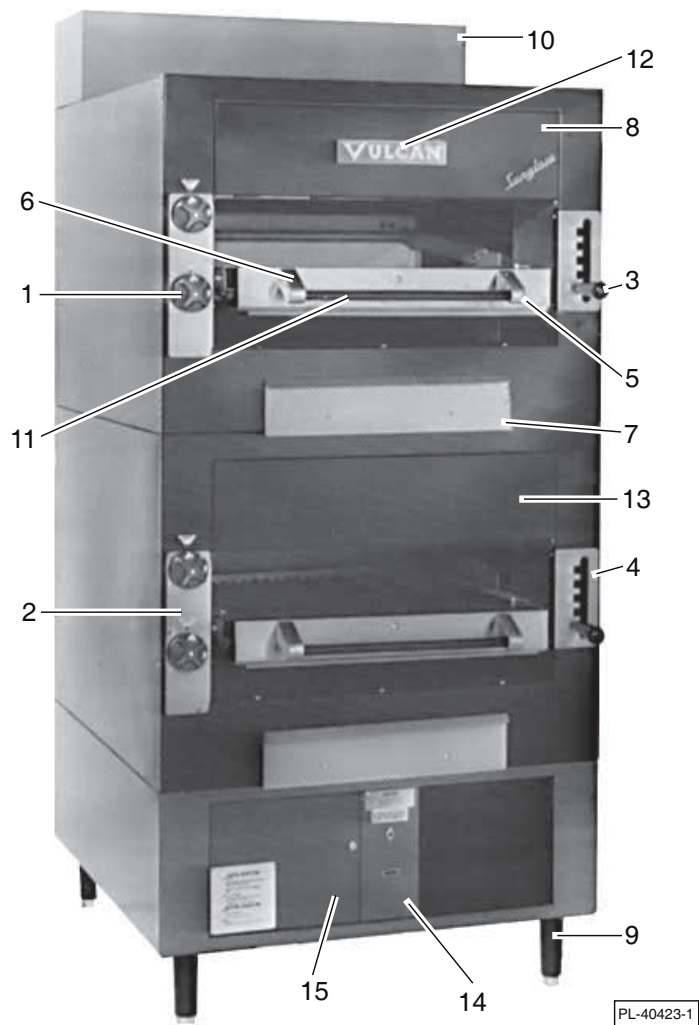
**PARTS - FRONT VIEW IR1**

PARTS - FRONT VIEW IR1

ILLUS.	PART NO.	DESCRIPTION	QTY.
1	00-407727-00005	Burner Knob (On-Off) .....	2
2	00-414269-00001	Burner Knob Cover Plate .....	1
3	00-407785-00002	Grid Arm Handle .....	1
4	00-413609-00001	Grid Arm Cover Index Plate .....	1
5	00-404549-00005	Right Grid Post .....	1
6	00-404549-00006	Left Grid Post .....	1
7	00-404647-00001	Grid Handle .....	1
8	00-411144-000G2	Burner Shield Cover (Top) .....	1
9	00-413383-000G2	Legs (SST) .....	4
10	00-408161-00001	Grease Collector Front .....	1
11	00-417700-00001	Vulcan Nameplate .....	1
12	00-410834-000G2	Deflector Assy .....	1
13	00-409033-000G2	Lock Panel .....	1
14	00-409030-000G4	Blower Cover Assembly .....	1
	00-411040-000G1	Drip Tray Assembly .....	1
	00-407673-000G1	Grease Collector .....	1
	00-414639-00001	I.D. TAB "R" .....	1
	00-414639-00002	I.D. TAB "L" .....	1
	00-412681-00001	Adjustable Foot .....	4

# HEAVY DUTY GAS BROILER REPLACEMENT PARTS

---

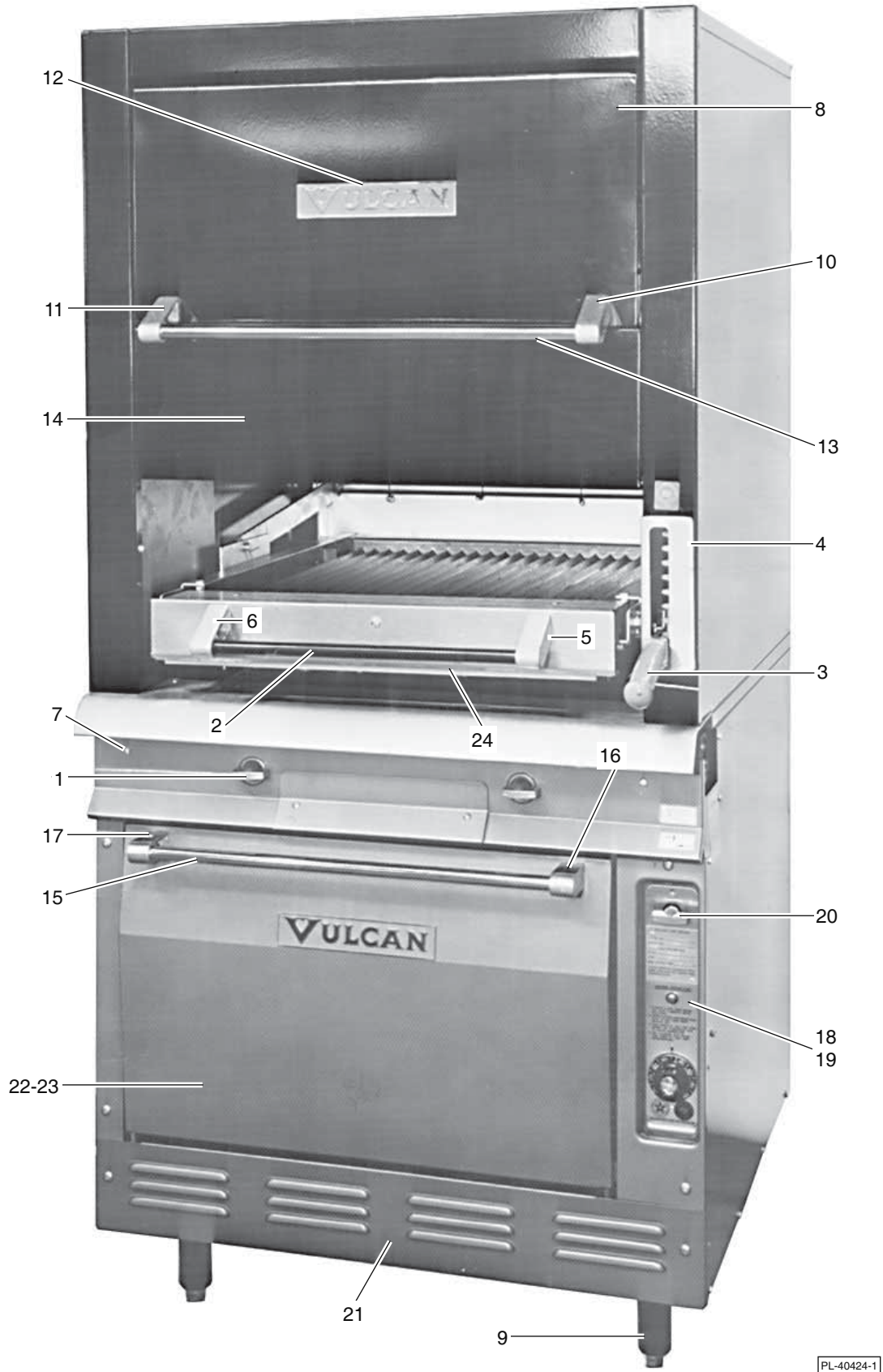


**PARTS - FRONT VIEW IR2**

PARTS - FRONT VIEW IR2

ILLUS. PL-40423-1	PART NO.	DESCRIPTION	QTY.
1	00-407727-00005	Burner Knob (On-Off) .....	4
2	00-414269-00001	Burner Knob Cover Plate .....	2
3	00-407785-00002	Grid Arm Handle .....	1
4	00-413609-00001	Grid Arm Cover Index Plate .....	2
5	00-404549-00005	Right Grid Post .....	1
6	00-404549-00006	Left Grid Post .....	1
7	00-408161-00001	Grease Collector Front .....	1
8	00-411144-000G2	Burner Shield Cover (Top) .....	1
9	00-409840-00006	Legs (SST) .....	4
10	00-410834-000G2	Deflector Assembly .....	1
11	00-404647-00001	Grid Handle .....	1
12	00-417700-00001	Vulcan Nameplate .....	1
13	00-411144-000G4	Burner Shield Cover (Bottom) .....	1
14	00-409033-000G2	Lock Panel .....	1
15	00-409030-000G4	Blower Cover Assembly .....	1
	00-411040-000G1	Drip Tray Assembly .....	1
	00-407673-000G1	Grease Collector Assembly .....	1
	00-414639-00001	I.D. Knob Tab "R" (New style not shown) .....	2
	00-414639-00002	I.D. Knob Tab "L" (New style not shown) .....	2

HEAVY DUTY GAS BROILER REPLACEMENT PARTS



PARTS - FRONT VIEW GHCB40

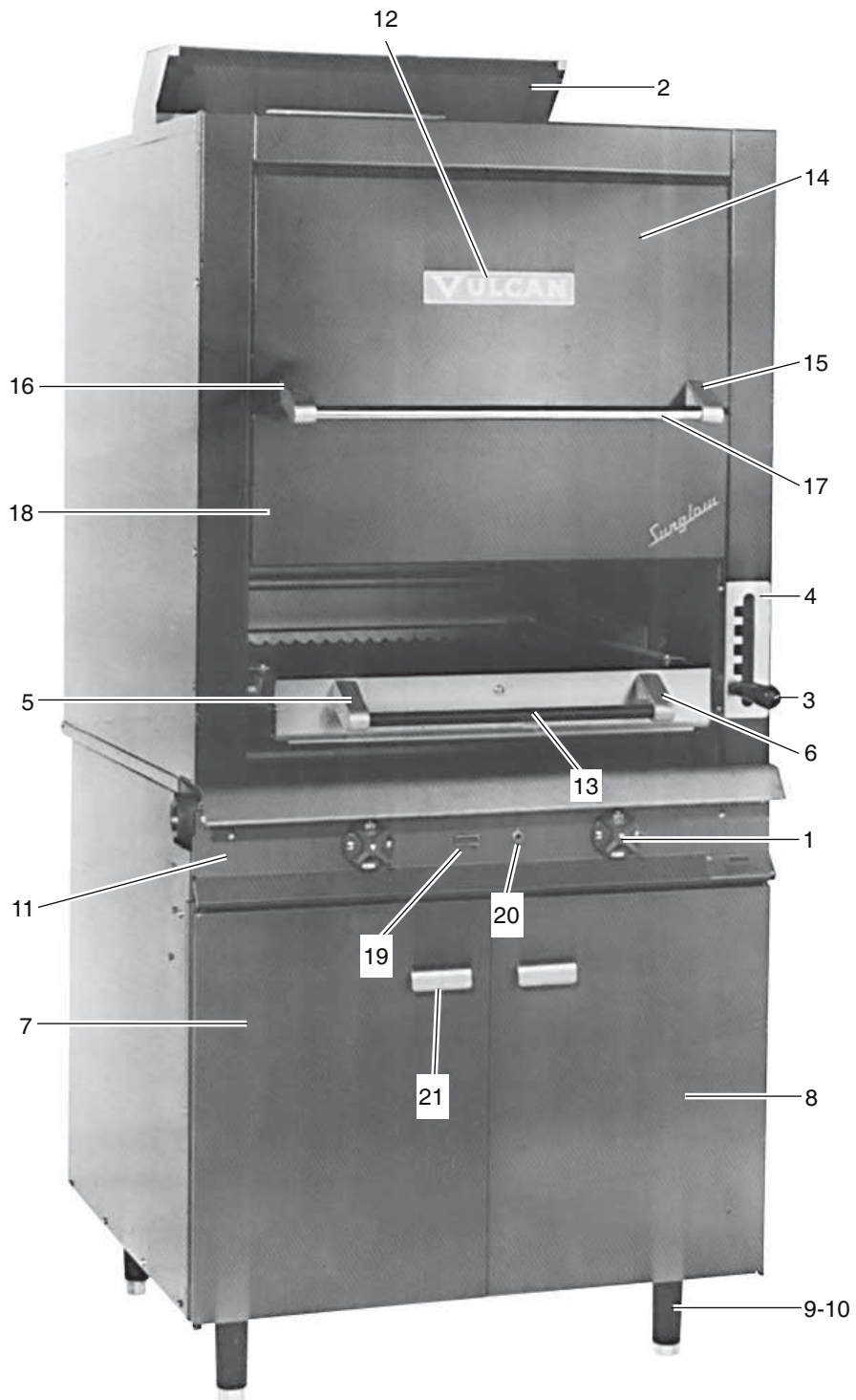
PARTS - FRONT VIEW GHCB40 / GHCB40C

ILLUS. PL-40424-1	DESCRIPTION	PART NO.	QTY.
1	00-420560-00001	Burner Valve Knob .....	2
2	00-404647-00001	Grid Handle .....	1
3	00-407785-00002	Grid Arm Handle (Old style shown) .....	1
4	00-413609-00002	Grid Arm Cover/Index Plate (SS) .....	1
5	00-404549-00005	Right Grid Post .....	1
6	00-404549-00006	Left Grid Post .....	1
7	00-409776-000G2	Manifold Cover Assembly (SS) .....	1
8	00-405488-000G2	Augratin Oven Door Assembly .....	1
9	00-409840-00006	(Adj.) Legs (SS) .....	4
10	00-409790-00003	Right Oven Door Post .....	1
11	00-409790-00004	Left Oven Door Post .....	1
12	00-417700-00001	Vulcan Nameplate .....	2
13	00-401847-00001	Oven Door Handle .....	1
14	00-405499-00002	Lower Burner Cover (SS) .....	1
15	00-409793-00001	Oven Handle (Lower) .....	1
16	00-404549-00001	Right Door Post .....	1
17	00-404549-00002	Left Door Post .....	1
18	00-420774-00001	Control Panel-GHCB40 (Used Until Oct. 2004) .....	1
19	00-420784-00001	Control Panel-GHCB40C (Used Until Oct. 2004) .....	1
20	00-402957-00002	Valve Handle (Red) .....	1
21	00-420775-000G1	Lower Front Panel .....	1
22	00-409791-000G2	Oven Door Assembly (Std Oven) .....	1
23	00-409791-000G4	Oven Door Assembly (Convection Oven) .....	1
24	00-409873-00001	Grease Collector Front .....	1
	00-417862-00009	Hinge Pin for Oven Door (RH or LH on Std Oven) (LH on Convection Oven) .....	AR
	00-497549-00001	Hinge Pin (RH on Convection Oven Door) .....	1
	00-404629-00002	Door Bushing .....	2
	00-497126-00001	Control Panel (GHCB40) (Oct. 2004 to Present) .....	1
	00-497126-00002	Control Panel (GHCB40C) (Oct. 2004 to Present) .....	1

(SS) Stainless Steel

Photo shows old style grid handle assembly.

# HEAVY DUTY GAS BROILER REPLACEMENT PARTS



PL-40425-1

**PARTS - FRONT VIEW GHIR44**



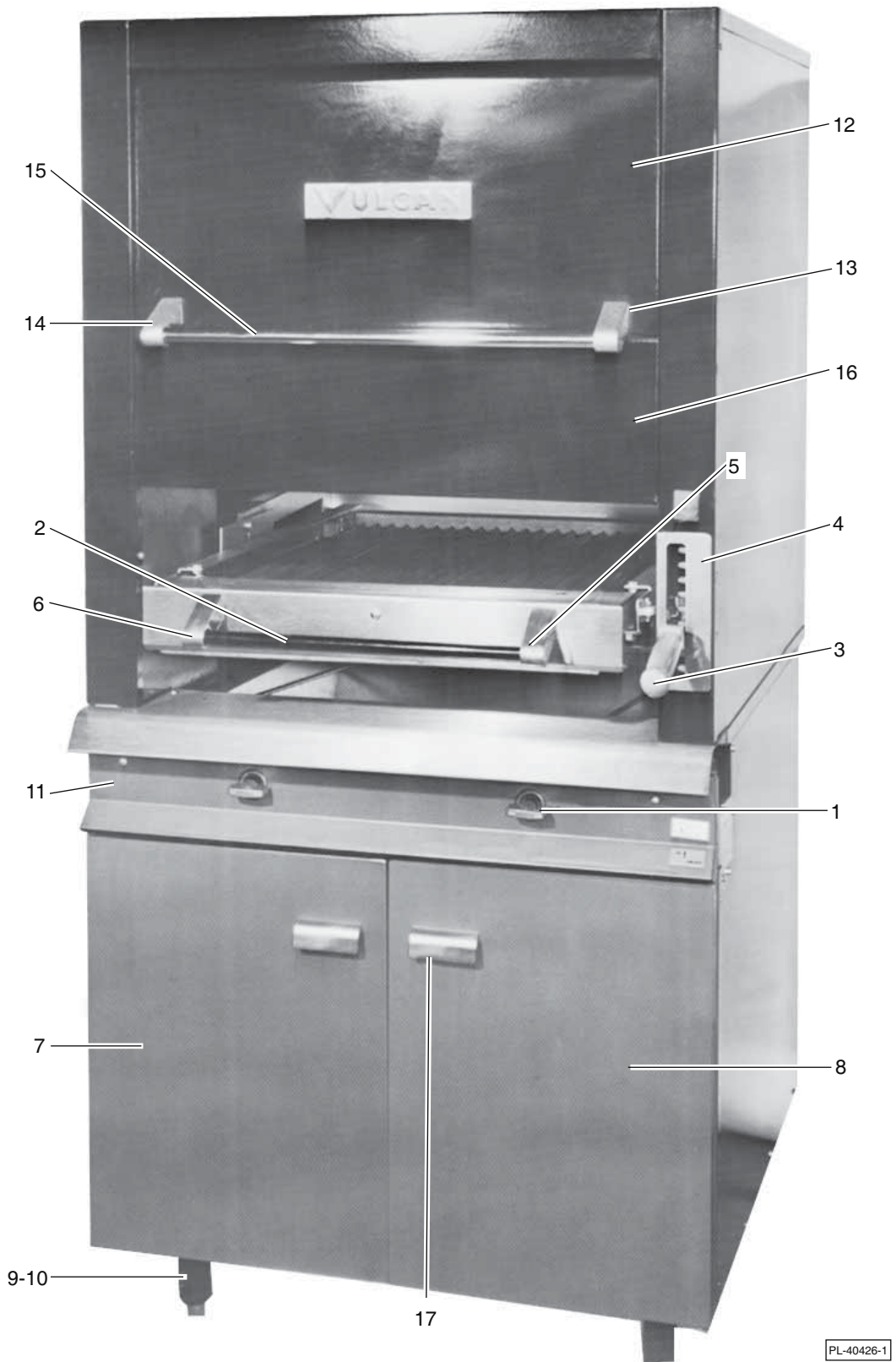
PARTS - FRONT VIEW GHIR44

ILLUS.	PART NO.	DESCRIPTION	QTY.
PL-40425-1			
1	00-407727-00004	Burner Valve Knob Hi-Med-Lo .....	2
2	00-414878-000G2	Flue Riser .....	1
3	00-407785-00002	Grid Arm Handle .....	1
4	00-413609-00002	Grid Arm Cover/Index Plate (SS) .....	1
5	00-404549-00005	Right Grid Post .....	1
6	00-404549-00006	Left Grid Post .....	1
7	00-412945-000G3	Left Hand Door Panel Assembly (SS) .....	1
8	00-412945-000G4	Rt. Hd. Door Panel Assembly (SS) .....	1
9	00-409840-00005	Adjustable Leg (Flanged Foot) .....	4
10	00-409840-00006	Adjustable Leg (SS) (Bullet Foot) .....	4
11	00-409653-00006	Manifold Cover Assembly (SS) .....	1
12	00-417700-00001	Vulcan Nameplate .....	1
13	00-408246-00001	Grid Handle .....	1
14	00-405488-000G2	Augratin Oven Door Assembly .....	1
15	00-404549-00001	Right Oven Door Post .....	1
16	00-404549-00002	Left Oven Door Post .....	1
17	00-401847-00001	Door Handle .....	1
18	00-405499-00002	Burner Box Cover .....	1
19	00-411496-000E4	Pilot Light .....	1
20	00-417812-00001	Toggle Switch .....	1
21	00-408615-00021	Cabinet Door Handle .....	2
	00-411040-000G1	Drip Tray Assembly .....	1
	00-412942-00001	Lt. Door Panel Lining .....	1
	00-412942-00002	Rt. Door Panel Lining .....	1
	00-414639-00001	I.D. Tab "R" .....	1
	00-414639-00002	I.D. TAB "L" .....	1
	00-405651-00001	Hinge Pin (Augratin Door) .....	1
	00-404629-00002	Door Bushing (Augratin Door) .....	1
	00-405886-000G2	Door Hinge (LH) (Augratin Door) .....	1
	00-405886-000G1	Door Hinge (RH) (Augratin Door) .....	1

(SS) Stainless Steel

**HEAVY DUTY GAS BROILER REPLACEMENT PARTS**

---



**PARTS - FRONT VIEW GHCB44**

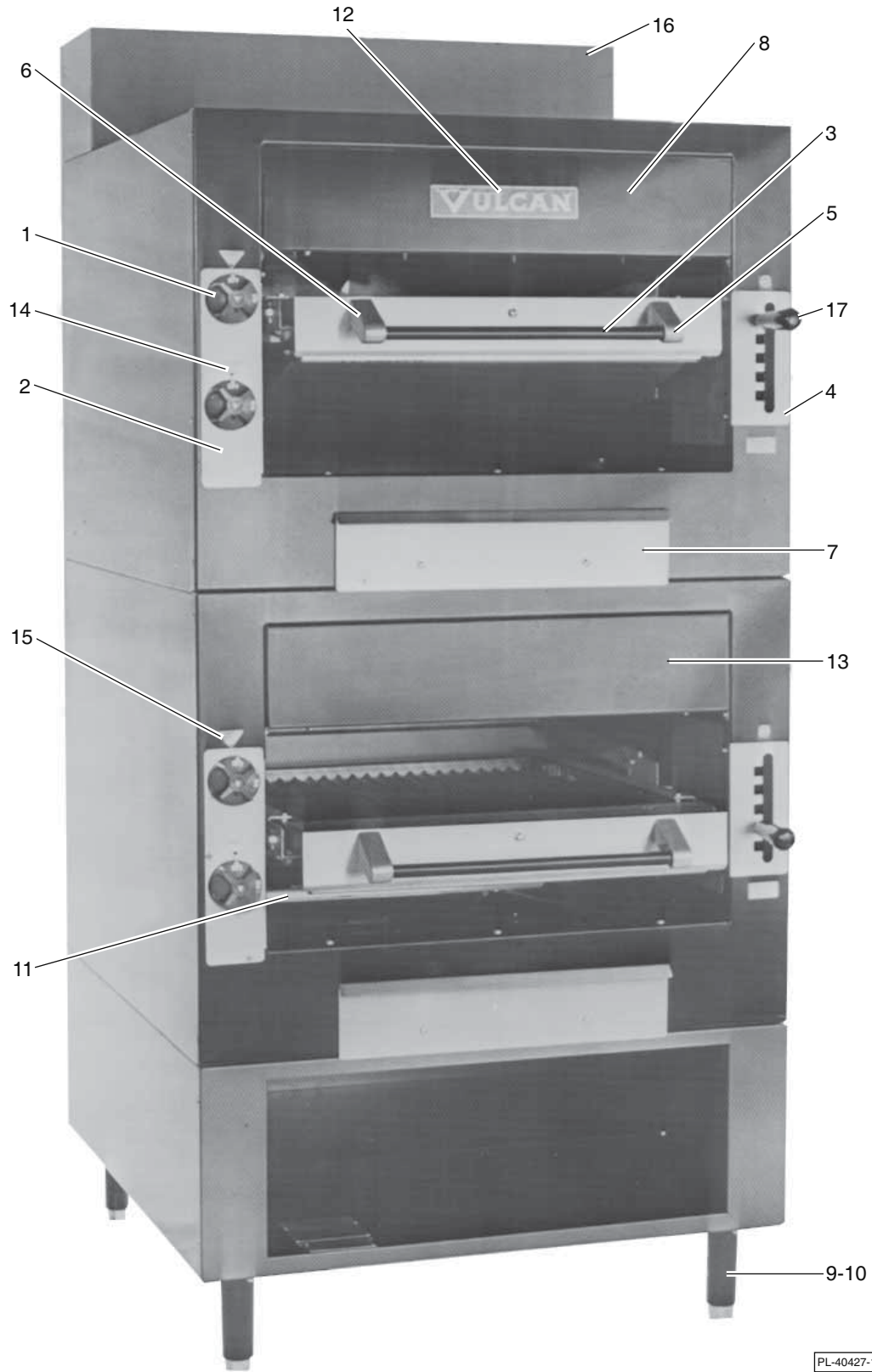
PARTS - FRONT VIEW GHCB44

ILLUS.	PART NO.	DESCRIPTION	QTY.
1	00-402957-00002	Burner Valve Knob .....	2
2	00-408246-00001	Grid Handle .....	1
3	00-407785-00002	Grid Arm Handle (Old style shown) .....	1
4	00-413609-00002	Grid Arm Cover/Index Plate (SS) .....	1
5	00-404549-00005	Right Grid Post .....	1
6	00-404549-00006	Left Grid Post .....	1
7	00-412945-000G1	Door Panel Assembly, Left .....	1
8	00-412945-000G2	Door Panel Assembly, Right .....	1
9	00-409840-00005	Adj. Leg (Flanged Foot) .....	4
10	00-409840-00006	Adj. Leg (SS) (Bullet Foot) .....	4
11	00-409776-000G2	Manifold Cover Assembly (SS) .....	1
12	00-405488-000G2	Augratin Oven Door Assembly .....	1
13	00-404549-00001	Right Oven Door Post .....	1
14	00-404549-00002	Left Oven Door Post .....	1
15	00-401847-00001	Oven Door Handle .....	1
16	00-405499-00002	Lower Burner Cover (SS) .....	1
17	00-408615-00021	Door Handle .....	2
	00-412942-00001	Left Door Liner .....	1
	00-412942-00003	Left Door Liner (SS) .....	1
	00-412942-00002	Right Door Liner .....	1
	00-412942-00004	Right Door Liner (SS) .....	1
	00-405651-00001	Hinge Pin (Augratin Door) .....	1
	00-404629-00002	Door Bushing (Augratin Door) .....	1
	00-405886-000G2	Door Hinge (LH) (Augratin Door) .....	1
	00-405886-000G1	Door Hinge (RH) (Augratin Door) .....	1

(SS) Stainless Steel

Photo shows old style grid handle assembly.

**HEAVY DUTY GAS BROILER REPLACEMENT PARTS**



**PARTS - FRONT VIEW HCB2**

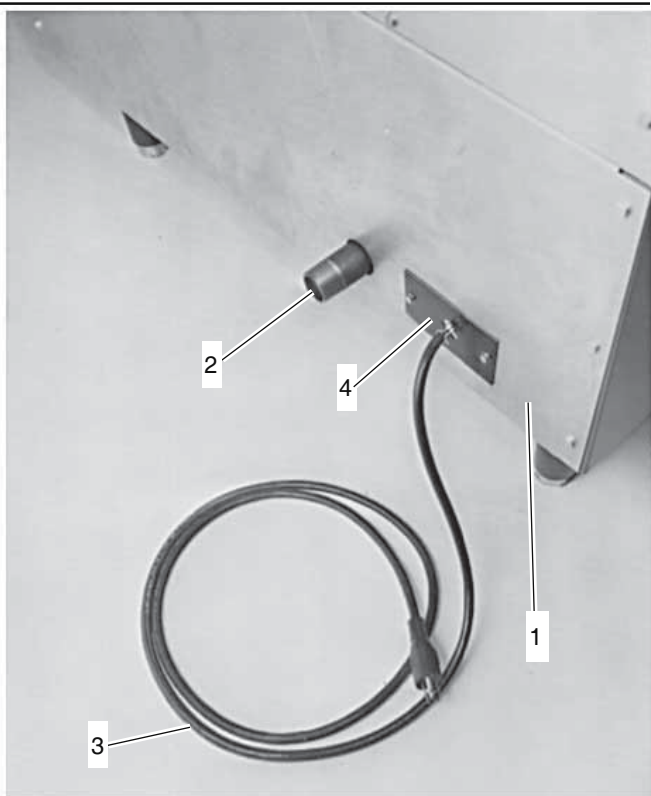
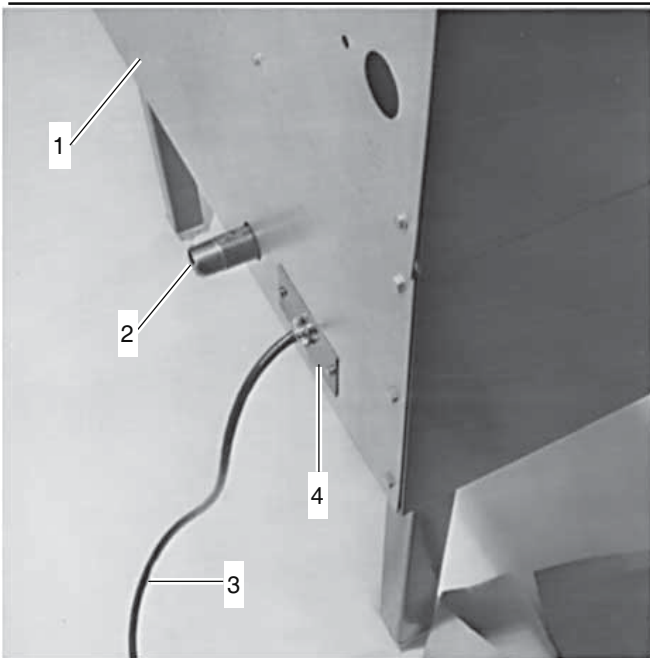
PARTS - FRONT VIEW HCB2

ILLUS.	PART NO.	DESCRIPTION	QTY.	
			HCB1	HCB2
PL-40427-1				
1	00-407727-00005	Burner Knob (On-Off) .....	2	4
2	00-414269-00001	Burner Knob Cover Plate .....	1	2
3	00-408246-00001	Grid Handle .....	1	2
4	00-413609-00001	Grid Arm Cover Index Plate .....	1	2
5	00-404549-00005	Right Grid Handle Post .....	1	2
6	00-404549-00006	Left Grid Handle Post .....	1	2
7	00-408161-00001	Grease Collector Front .....	1	2
8	00-408132-000G6	Burner Shield Cover (Top) .....	1	1
9	00-413383-000G1	Adj. Legs .....	4	
	00-409840-00005	Adj. Legs .....		4
10	00-413383-000G2	Adj. Legs (SS) .....	4	
	00-409840-00006	Adj. Legs (SS) .....		4
11	00-411040-000G1	Drip Tray Assembly .....	1	1
12	00-417700-00001	Vulcan Nameplate .....	1	1
13	00-408132-000G4	Burner Shield Cover (Bottom) .....		1
14	00-414639-00002	I.D. Knob Tab "L" (Old style shown) .....	1	2
15	00-414639-00001	I.D. Knob Tab "R" (Old style shown) .....	1	2
16	00-410834-000G2	Deflector Assy. ....	1	1
17	00-407785-00002	Grid Arm Handle .....	1	1
	00-407673-000G1	Grease Collector Assembly .....	1	1

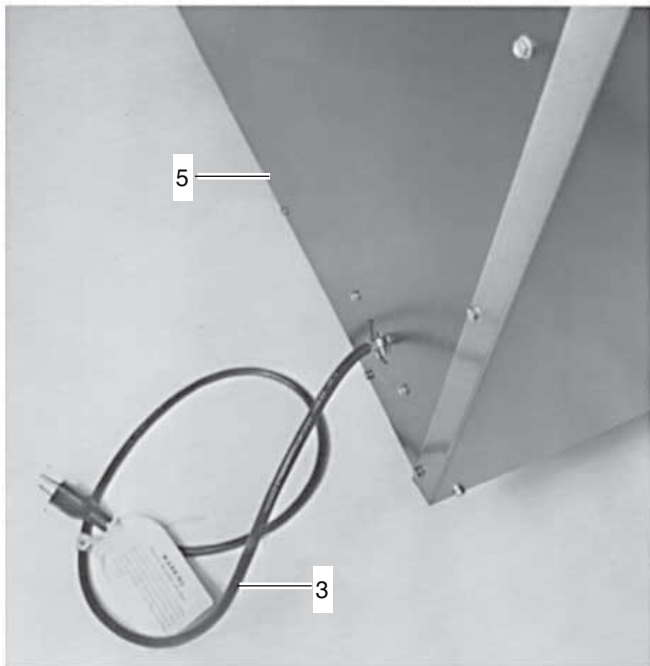
(SS) Stainless Steel

Front View GHCB1 Not Shown.

# HEAVY DUTY GAS BROILER REPLACEMENT PARTS



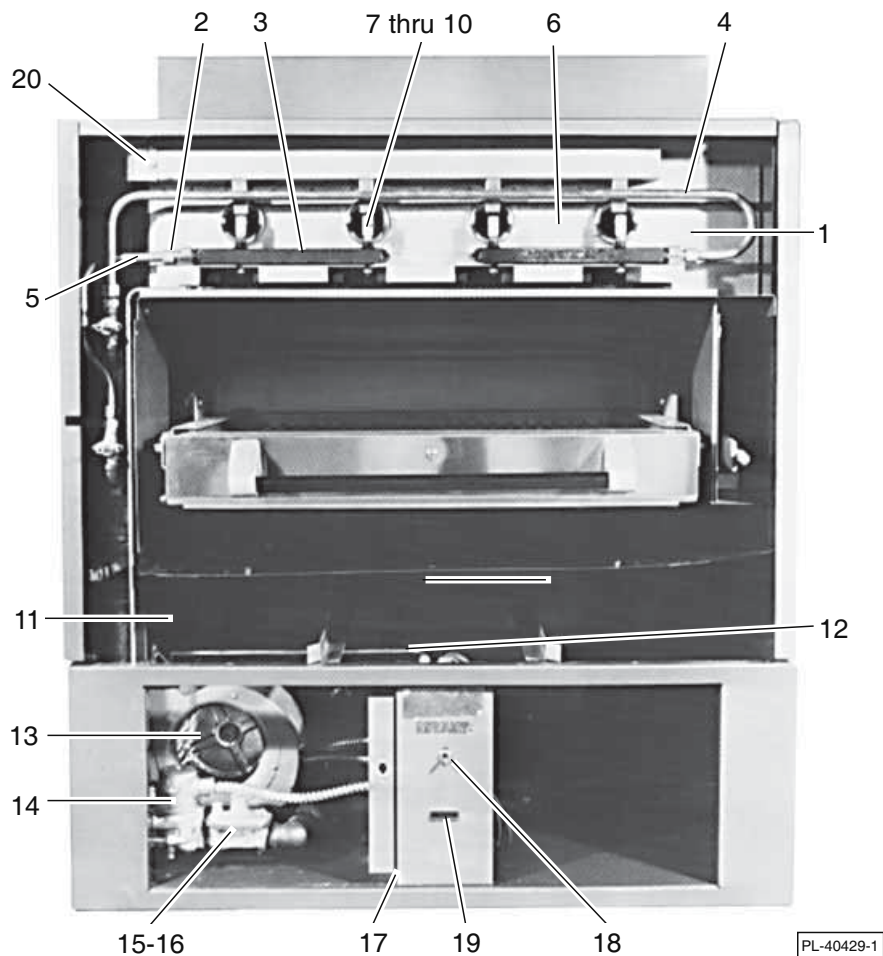
PL-40428-1



## PARTS - REAR VIEW IR1, IR2, GHIR44

ILLUS.	PART NO.	NAME OF PART	QTY.				
			IR1	IR2	GHIR44	HCB1	HCB2
1	00-408987-000G1	Body Back (Cabinet) .....	1	1			
	00-408987-000G3	Body Back (Cabinet) .....			1		
	00-408214-000G1	Body Back (Cabinet) .....					1
2	FP-085-88	Inlet Pipe .....	1	1			
	FP-085-97	Inlet Pipe .....			1		1
3	00-405016-00001	Elec. Supply Cord .....	1	1	1		
4	00-408647-00001	Elec. Cover Plate .....	1	1	1		
5	00-409896-00001	Body Back .....			1		
	00-408210-00003	Body Back (Upper) .....		1			1
	00-405407-00003	Body Back (Upper) .....			1		
	00-408210-00001	Body Back (Lower) .....	1	1		1	1
	00-409158-00001	Body Back (Lower) .....			1		

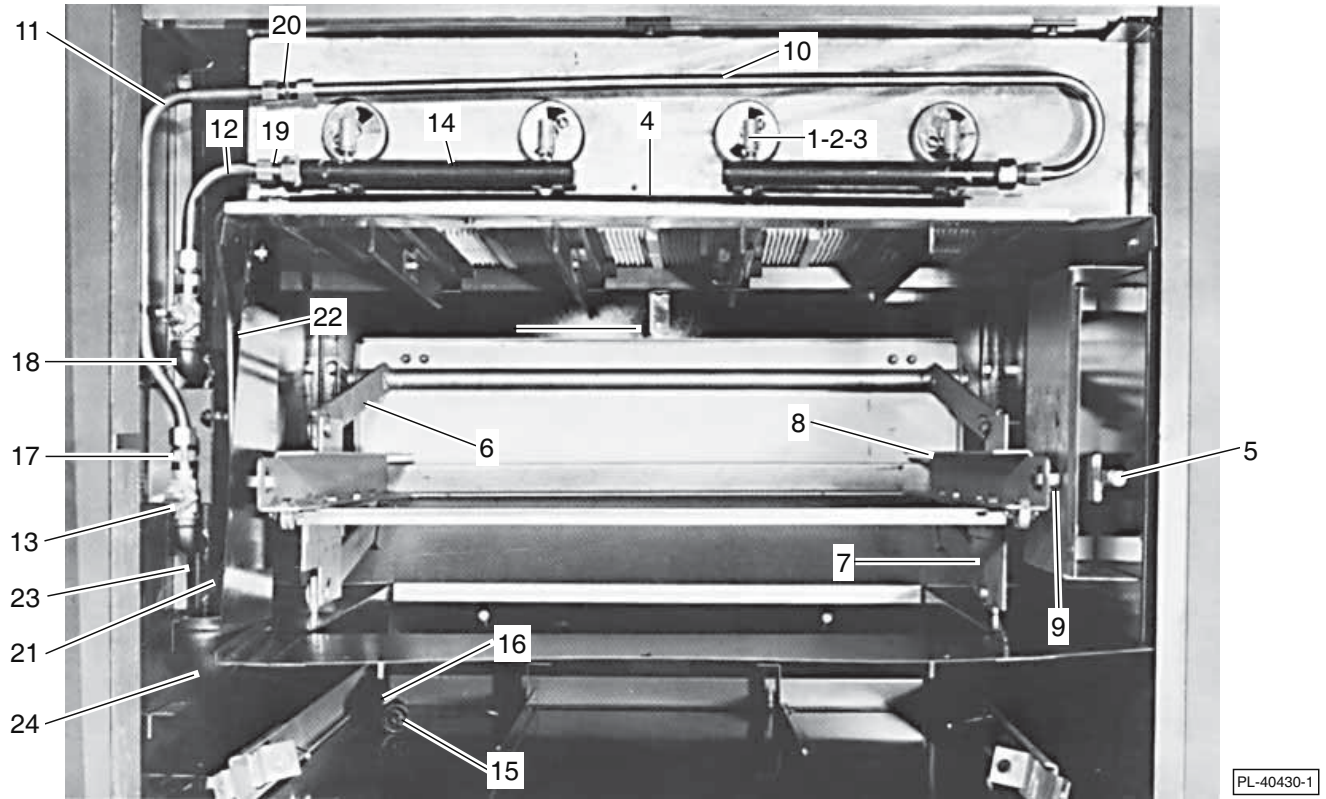
## HEAVY DUTY GAS BROILER REPLACEMENT PARTS



**PARTS - FRONT VIEW FRAME REMOVED IR1 & IR2**

ILLUS.	PART NO.	DESCRIPTION	QTY.	
			IR1	IR2
PL-40429-1				
1	00-415095-000G1	Front Burner Shield Assembly .....	1	2
2	FP-012-49	Fitting 1/2 CC to 1/2 MPT .....	2	4
3	00-414861-00001	Burner Sub-Manifold (Prior to July 2004) .....	2	4
4	00-415133-00001	Right Hand Burner Tube .....	1	2
5	00-415134-00001	Left Hand Burner Tube .....	1	2
6	FP-035-01	Close Nipple 1/8" .....	4	8
7	00-405643-0000F	Pilot Elbow Burner .....	4	8
8	00-010901-00044	Orifice Spud (NAT.) .....	4	8
9	00-010901-00055	Orifice Spud (PROPANE) .....	4	8
10	00-010901-00056	Orifice Spud (BUTANE) .....	4	8
11	00-415089-00001	Air Transition Box .....	1	1
12	00-409759-00002	Pressure Switch Tubing .....	1	1
13	00-413552-00004	Blower Motor .....	1	1
14	00-428578-000G1	Solenoid .....	1	1
15	00-408279-00020	Regulator (NAT.) .....	1	1
16	00-408279-00021	Regulator (PROPANE & BUTANE) .....	1	1
17	00-409033-000G2	Lock Panel .....	1	1
18	00-417812-00001	Toggle Switch .....	1	1
19	00-411496-000E4	Signal Light .....	1	1
20	00-415300-000G1	Air Transition Box .....	1	1
	00-415299-000G1	Air Transition Box .....		2
	00-415807-00001	Pilot Shield .....	4	8
	00-497022-00001	Burner Sub-Manifold (July 2004 to Present) .....	1	1

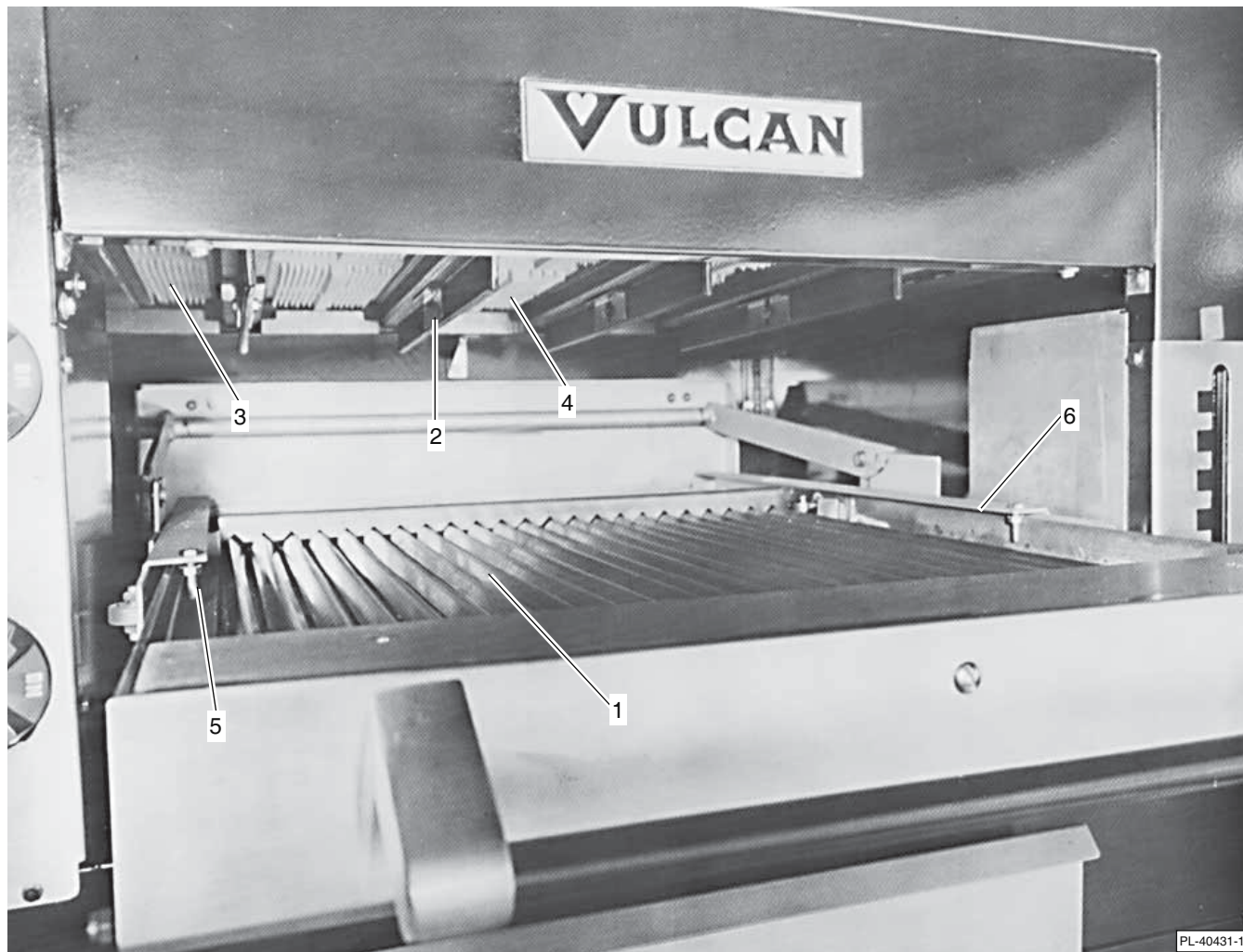
**HEAVY DUTY GAS BROILER REPLACEMENT PARTS**



**PARTS - FRONT VIEW FRAME REMOVED HCB2**

ILLUS.	PART NO.	DESCRIPTION	QTY.	
			HCB1	HCB2
1	00-010901-00042	Pilot Burner Orifice (NAT.) .....	4	8
2	00-010901-00053	Pilot Burner Orifice (PROPANE) .....	2	4
3	00-405643-0000F	Elbow Nozzle .....	AR	AR
4	00-411463-000G1	Pilot Manifold Assembly .....	1	2
5	00-413607-000G1	Grid Arm Lifting Assembly .....	1	2
6	00-408770-000G1	Upper Lever Arm Assembly .....	1	2
7	00-408774-000G1	Lower Lever Arm Assembly .....	1	2
8	00-497762-000G1	Grid Carriage Assembly .....	1	2
9	00-405655-00003	Roller Bearing With Shaft .....	2	4
10	00-408078-00001	Rt. Hd. Burner Tubing .....	1	2
11	00-408328-00001	Rt. Burner Tubing Valve to Double CC Fitting .....	1	1
12	00-408329-00001	Lt. Burner Tubing Fitting to Valve .....	1	1
13	00-407789-00001	Burner Valve .....	2	4
14	00-408076-000G1	Sub - Manifold Assembly .....	1	2
15	00-407724-00001	Spring Lifting Arm (Inner) .....	2	4
16	00-401992-00002	Spring Lifting Arm (Outer) .....	2	4
17	FP-012-01	Fitting $\frac{3}{8}$ " to $\frac{1}{2}$ " CC .....	2	4
18	FP-016-02	Elbow Street $\frac{1}{2}$ " x $\frac{3}{8}$ " .....	2	4
19	FP-012-49	Fitting Straight $\frac{1}{2}$ " x $\frac{1}{2}$ " CC .....	2	4
20	FP-077-36	Fitting Straight Double $\frac{1}{2}$ " CC .....	2	4
21	FP-012-21	Elbow $\frac{1}{8}$ " NPS x $\frac{1}{4}$ " CC .....	1	2
22	00-426505-00014	Pilot Tube Valve to CC Elbow .....	1	2
	00-415229-00001	Pilot Tube Valve to CC Elbow .....	1	2
23	00-408199-000G1	1" Manifold Pipe .....	1	2
24	FP-079-97	Elbow Reducing 1" x $\frac{3}{4}$ " .....	2	4
	00-405655-00001	Roller Bearing Without Shaft .....	2	4

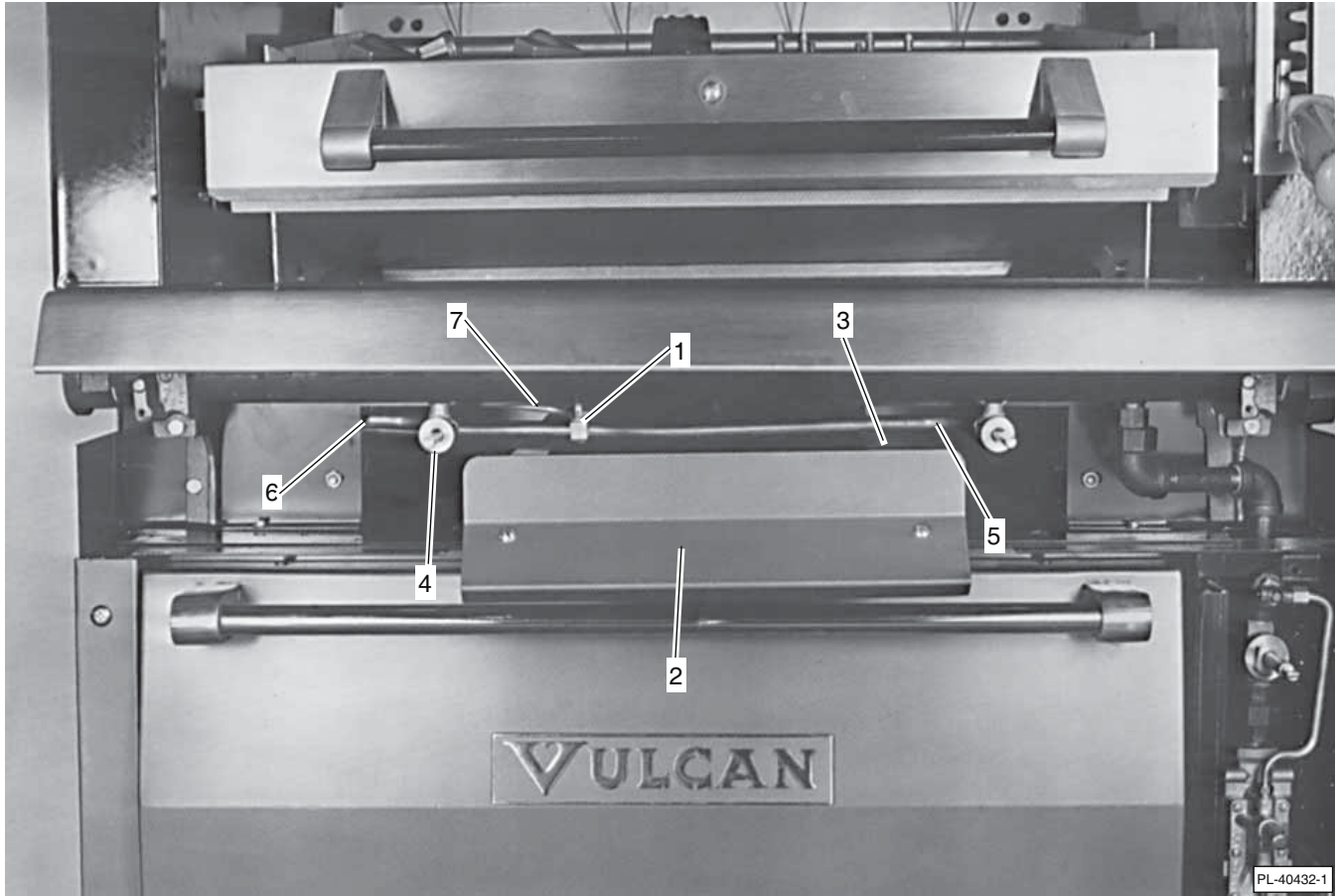




**PARTS - GRID ASSEMBLY HCB2**

ILLUS. PL-40431-1	PART NO.	DESCRIPTION	QTY.			
			HCB1	HCB2	GHCB40	GHCB44
1	00-417074-000G1	Grid Final Assembly .....	1	2	1	1
2	00-411551-000G1	Burner Assembly .....	4	8	4	4
3	00-404146-00001	Burner Side Ceramics .....	8	16	8	8
4	00-404145-00001	Burner Center Ceramics .....	12	24	12	12
5	SC-036-08	Grid Stop Bolt Hex Head 1/4" x 1 1/4" .....	3	6	3	3
6	00-497762-000G1	Grid Carriage .....	1	2	1	1
	00-408111-00002	Drip Shield Rod .....	1	2	1	1
	00-413607-000G1	Lifting Arm Assembly .....	1	2		
	00-413612-000G1	Lifting Arm Assembly .....			1	1
	00-416844-00001	Front Cooking Grate .....	1	2	1	1
	00-416845-00001	Rear Cooking Grate .....	1	2	1	1
	00-408726-000G2	Ceramic Set (8 Sides & 12 Centers) .....	1	2	1	1
	00-408244-000G2	Brick Support (Left Side) .....	1	2	1	1
	00-408244-000G1	Brick Support (Right Side) .....	1	2	1	1

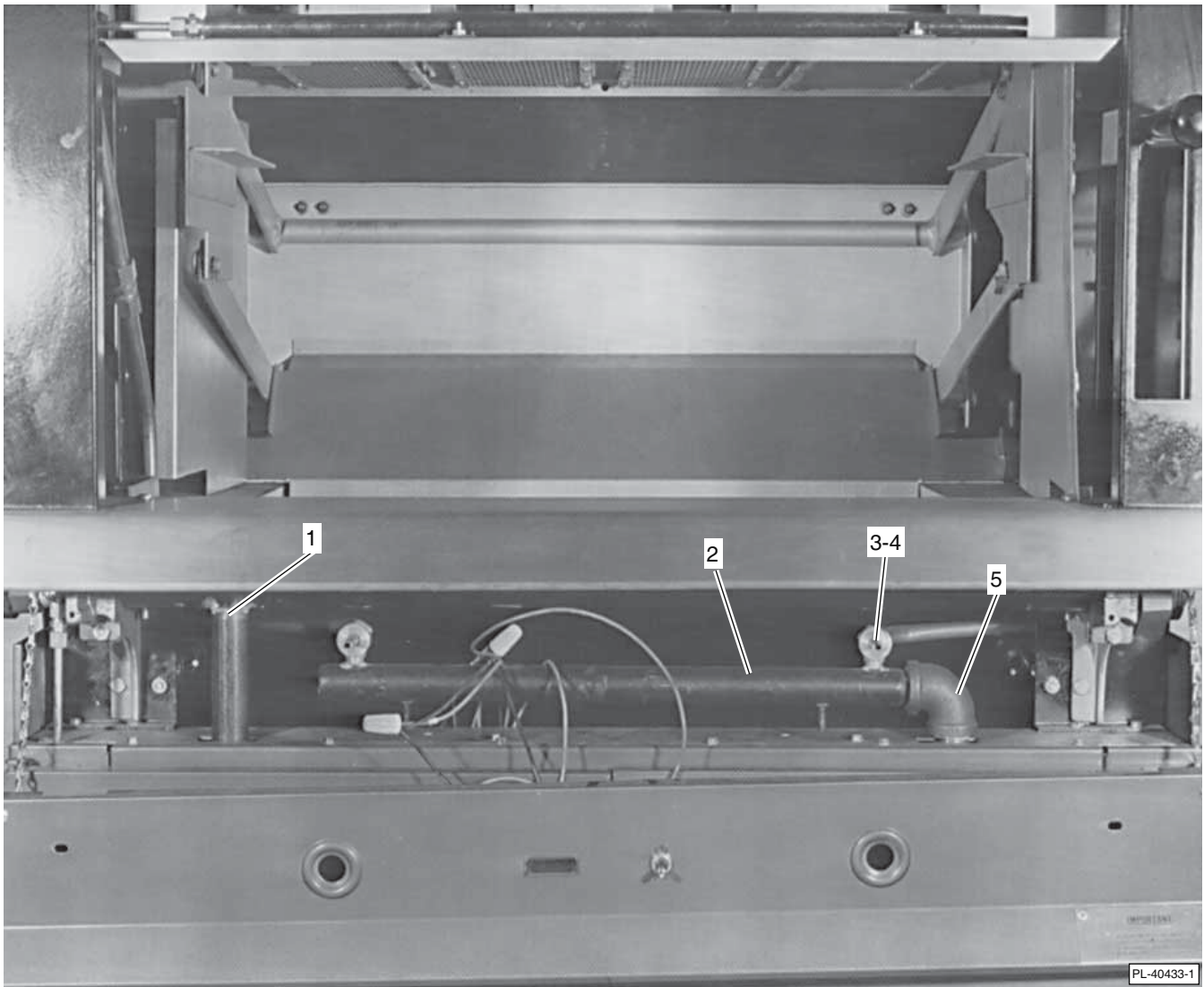
**HEAVY DUTY GAS BROILER REPLACEMENT PARTS**



**PARTS - UPPER MANIFOLD ASSEMBLY GHCB40**

ILLUS.	PART NO.	DESCRIPTION	QTY.
1	00-404738-00003	Pilot Valve .....	4
2	00-409873-00001	Grease Collector Front Panel (SS) .....	1
3	00-409899-000G1	Grease Collector Assembly .....	1
4	00-408379-00003	Burner Valve .....	2
5	00-408079-00001	Burner Valve Tube, Rt. ....	1
6	00-408079-00002	Burner Valve Tube, Lt. ....	1
7	00-411696-00001	Pilot Supply Tube .....	1
	00-010901-00032	Orifice Spud Nat. Gas (Ceramic Burner) .....	4
	00-010901-00053	Orifice Spud Propane Gas (Ceramic Burner) .....	4
	00-010901-00054	Orifice Spud Butane Gas (Ceramic Burner) .....	4
	00-405643-0000F	Elbow Nozzle (Ceramic Burner) .....	4
	00-411469-00002	Pilot Lighter Tube (Ceramic Burner) .....	4
	00-408485-00080	Nozzle (Nat. Gas) .....	4
	00-408485-00010	Nozzle (LP or MFG Gas) .....	4

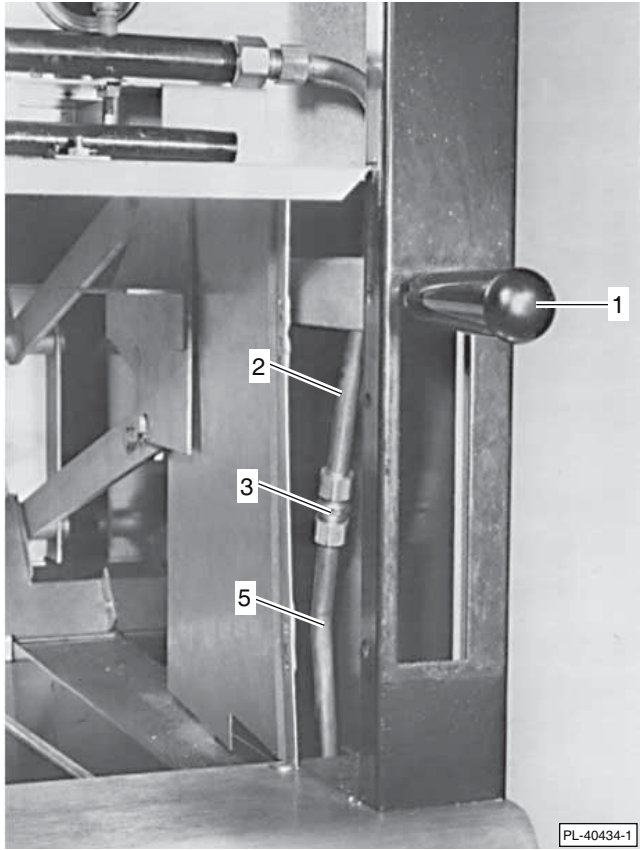
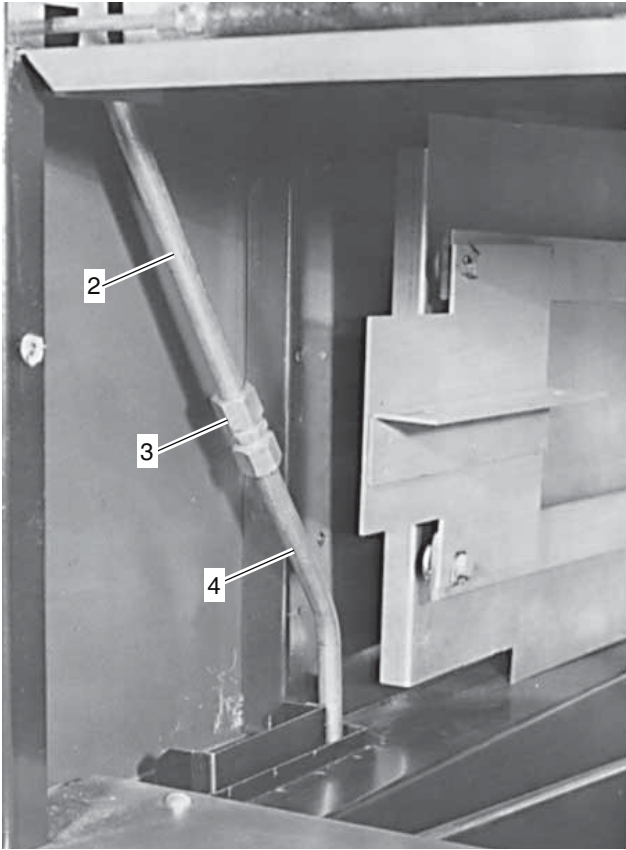
(SS) Stainless Steel



**PARTS - GHIR44 WITH MANIFOLD COVER DROPPED**

ILLUS. PL-40433-1	PART NO.	DESCRIPTION	QTY.
1	00-413500-00E98	Drop Pipe $\frac{3}{4}$ " x $12 \frac{1}{4}$ " .....	1
2	00-408422-000G1	Sub-Manifold .....	1
3	00-408119-0001L	Valve HI-MED-LO (PROPANE & BUTANE) .....	2
4	00-408119-0001N	Valve HI-MED-LO (NAT.) .....	2
5	FP-013-22	Elbow $\frac{3}{4}$ " 90° .....	1

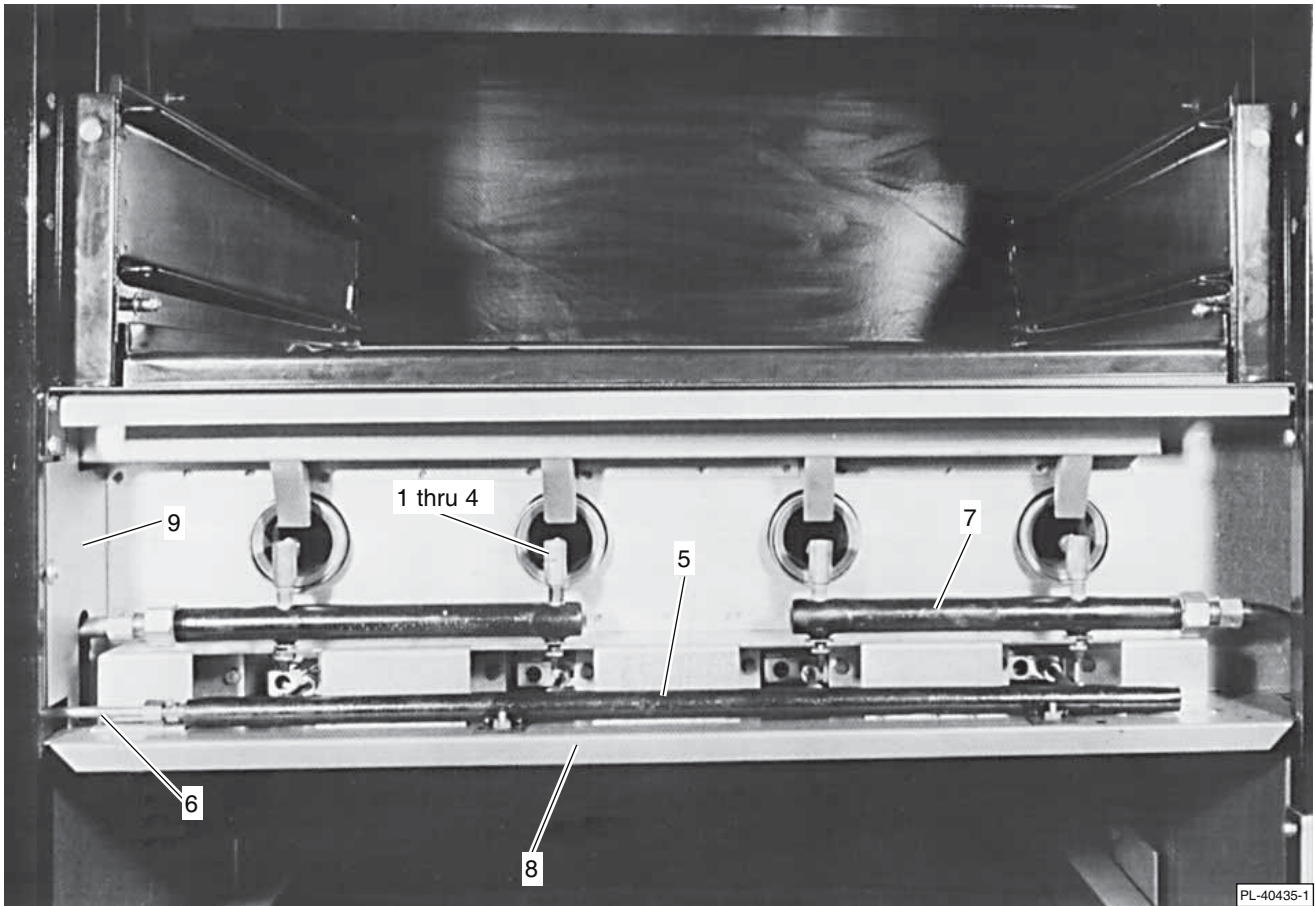
**HEAVY DUTY GAS BROILER REPLACEMENT PARTS**



PL-40434-1

**PARTS - BURNER TUBING ASSEMBLY LT. & RT. GHIR44**

ILLUS.	PART NO.	DESCRIPTION	QTY.
PL-40434-1			
1	00-407785-00002	Grid Handle .....	1
2	00-414863-00001	Burner Tubing .....	2
3	FP-077-36	Fitting 1/2 x 1/2 CC .....	2
4	00-414749-00001	Lt. Hd. Burner Tubing .....	1
5	00-414866-00001	Rt. Hd. Burner Tubing .....	1

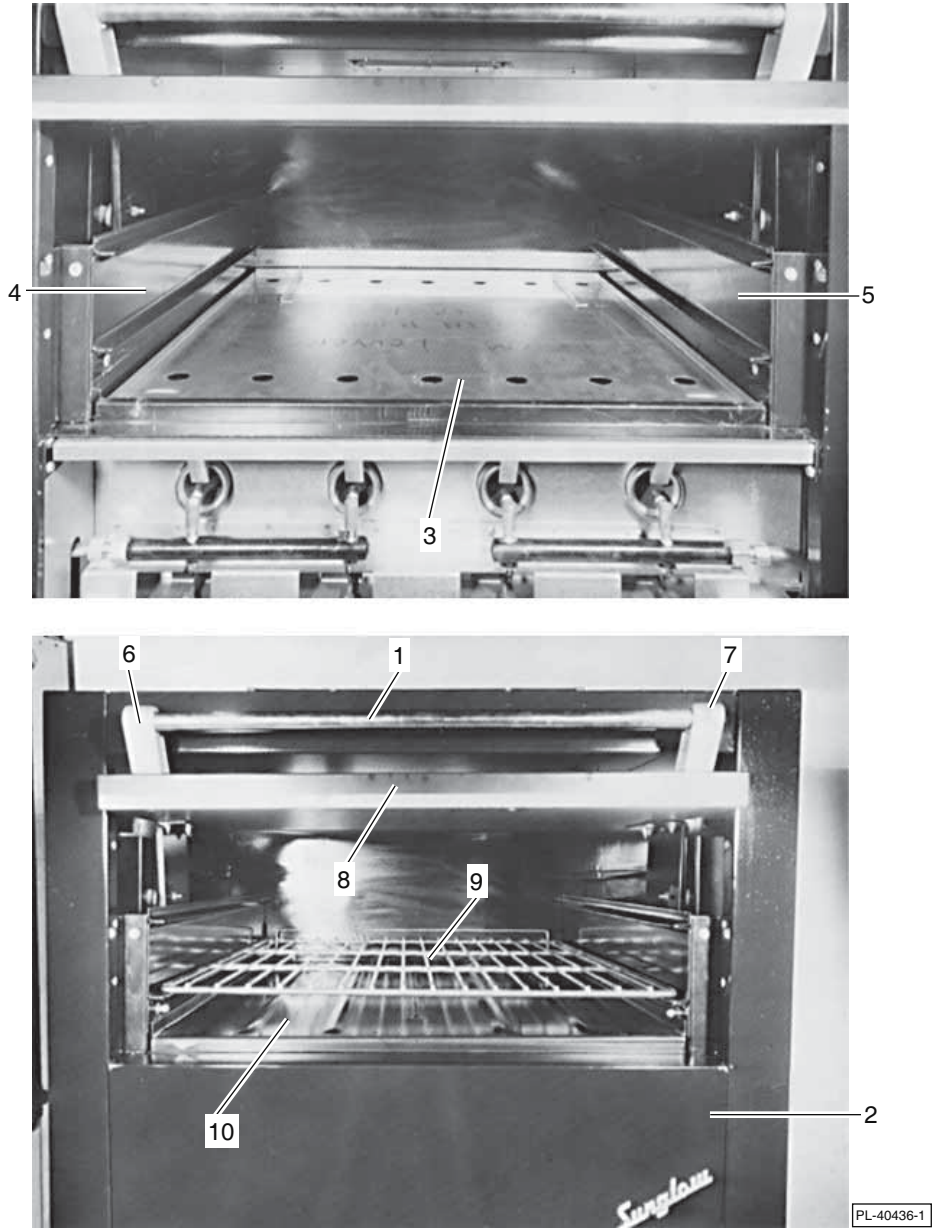


**PARTS - PILOT MANIFOLD ASSEMBLY GHIR44**

ILLUS. PL-40435-1	PART NO.	DESCRIPTION	QTY.
1	00-405643-0000F	Elbow Pilot Nozzle .....	4
2	00-010901-00044	Orifice Spud (NAT.) .....	4
3	00-010901-00055	Orifice Spud (PROPANE) .....	4
4	00-010901-00056	Orifice Spud (BUTANE) .....	4
5	00-414860-00001	Pilot Manifold Assembly .....	1
6	00-426505-00030	Pilot Tube - Adj. Valve to 1/4" CC .....	1
* 7	00-497022-00001	Burner Sub Assembly .....	2
8	00-414753-000G1	Front Burner Shield Assembly .....	1
9	00-414870-00003	Air Closure .....	1
	00-415807-00001	Pilot Shield .....	4

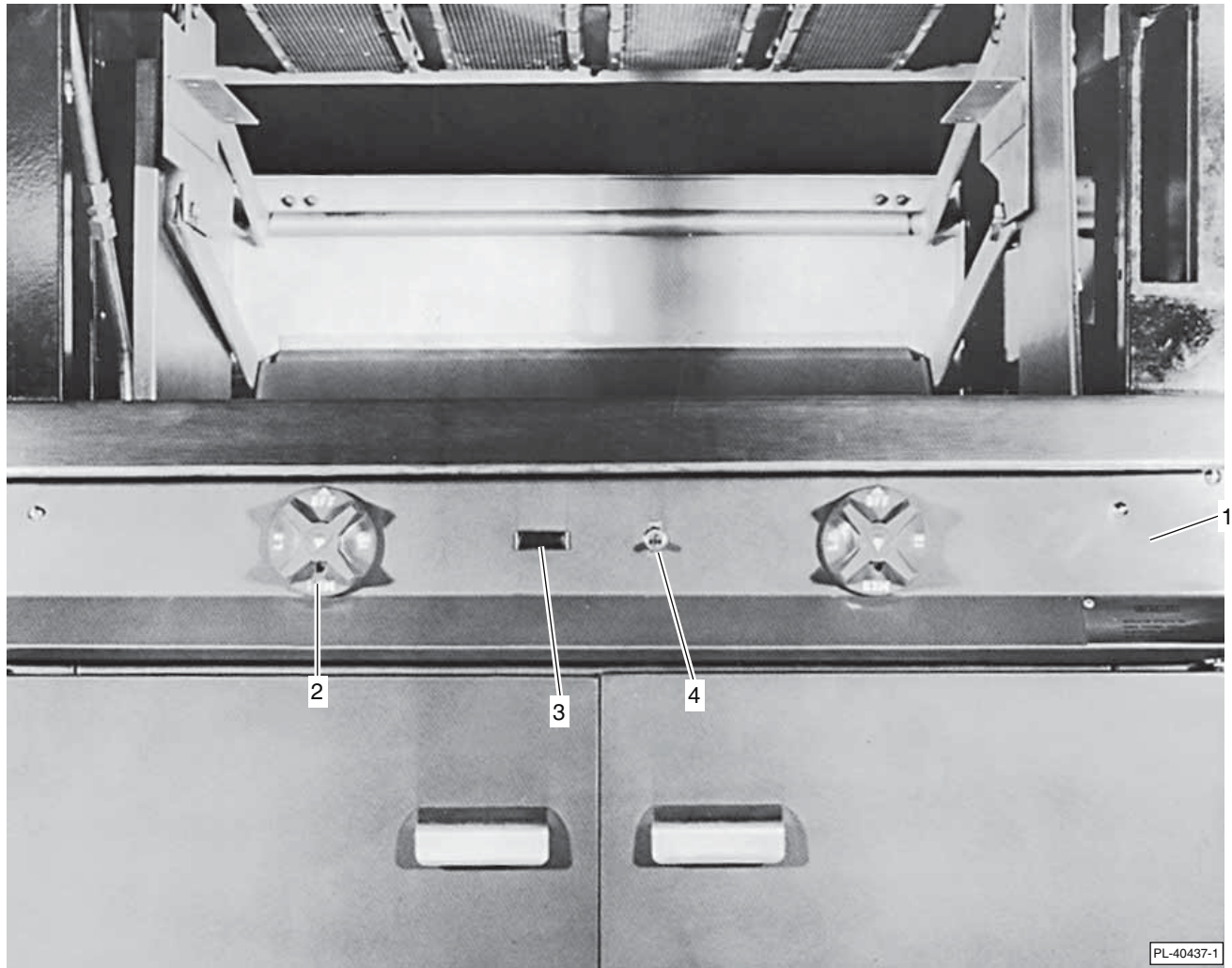
\* Must Order Qty. 2 of FP-035-05 When Ordering Part 00-497022-00001.

**HEAVY DUTY GAS BROILER REPLACEMENT PARTS**



**PARTS - AUGRATIN OVEN COMPARTMENT GHIR44**

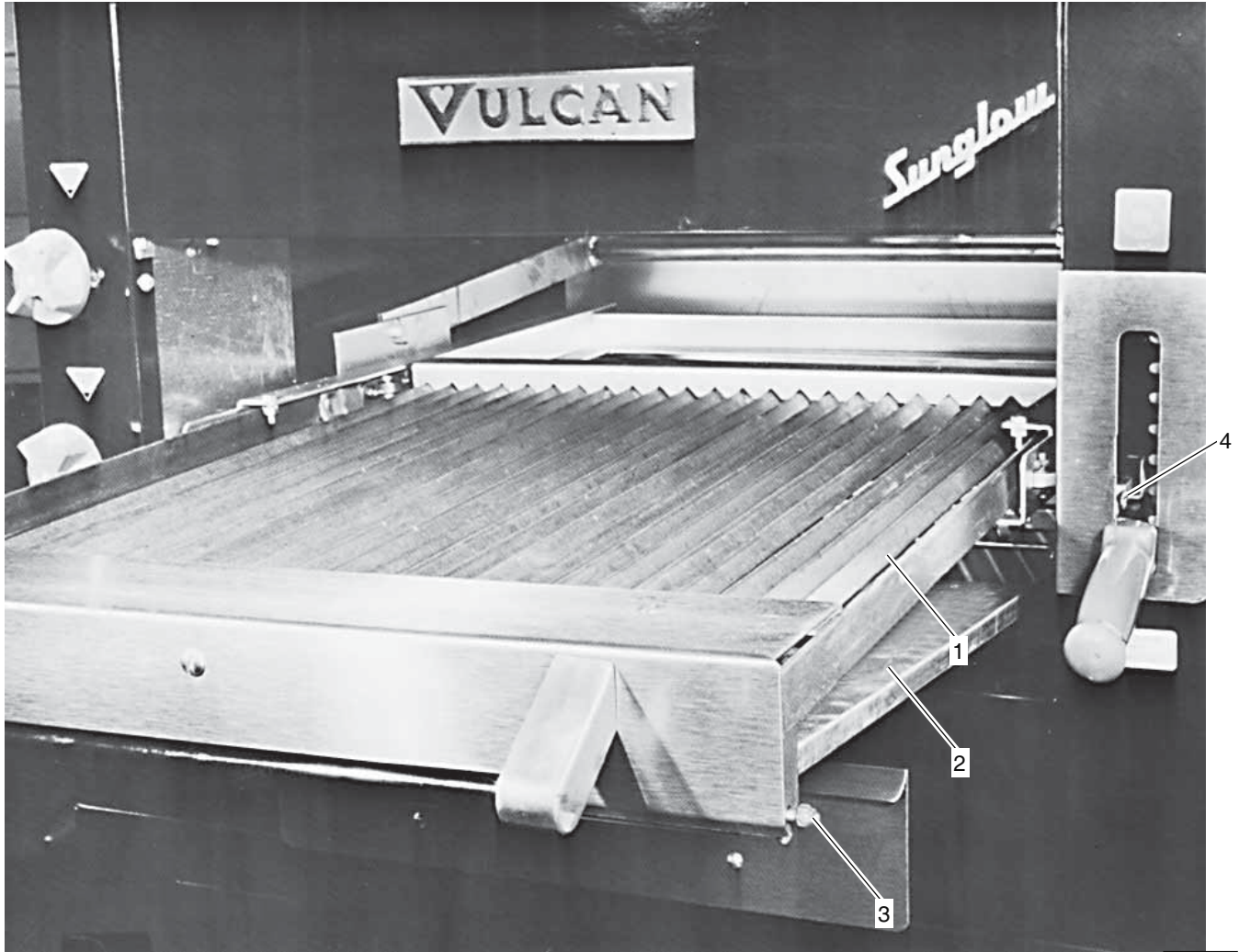
ILLUS.	PART NO.	DESCRIPTION	QTY.
PL-40436-1			
1	00-401847-00001	Handle .....	1
2	00-405499-00002	Burner Box Cover .....	1
3	00-405522-000G1	Augratin Oven Bottom Baffle Assembly .....	1
4	00-405489-000G2	Lt. Hd. Side Lining Assembly .....	1
5	00-405489-000G1	Rt. Hd. Side Lining Assembly .....	1
6	00-404549-00002	Post, Left Hand .....	1
7	00-404549-00001	Post, Right Hand .....	1
8	00-405488-000G2	Oven Door Assembly .....	1
9	00-404074-00002	Oven Rack (Augratin Oven) .....	1
10	00-405123-000G3	Oven Bottom Assembly (Augratin) .....	1



**PARTS - CONTROL PANEL GHIR44**

ILLUS.	PART NO.	DESCRIPTION	QTY.
PL-40437-1			
1	00-409653-00006	Manifold Cover Assembly (SS) .....	1
2	00-407727-00004	Knob HI-MED-LO .....	2
3	00-411496-000E4	Signal Light .....	1
4	00-417812-00001	Toggle Switch .....	1

**HEAVY DUTY GAS BROILER REPLACEMENT PARTS**

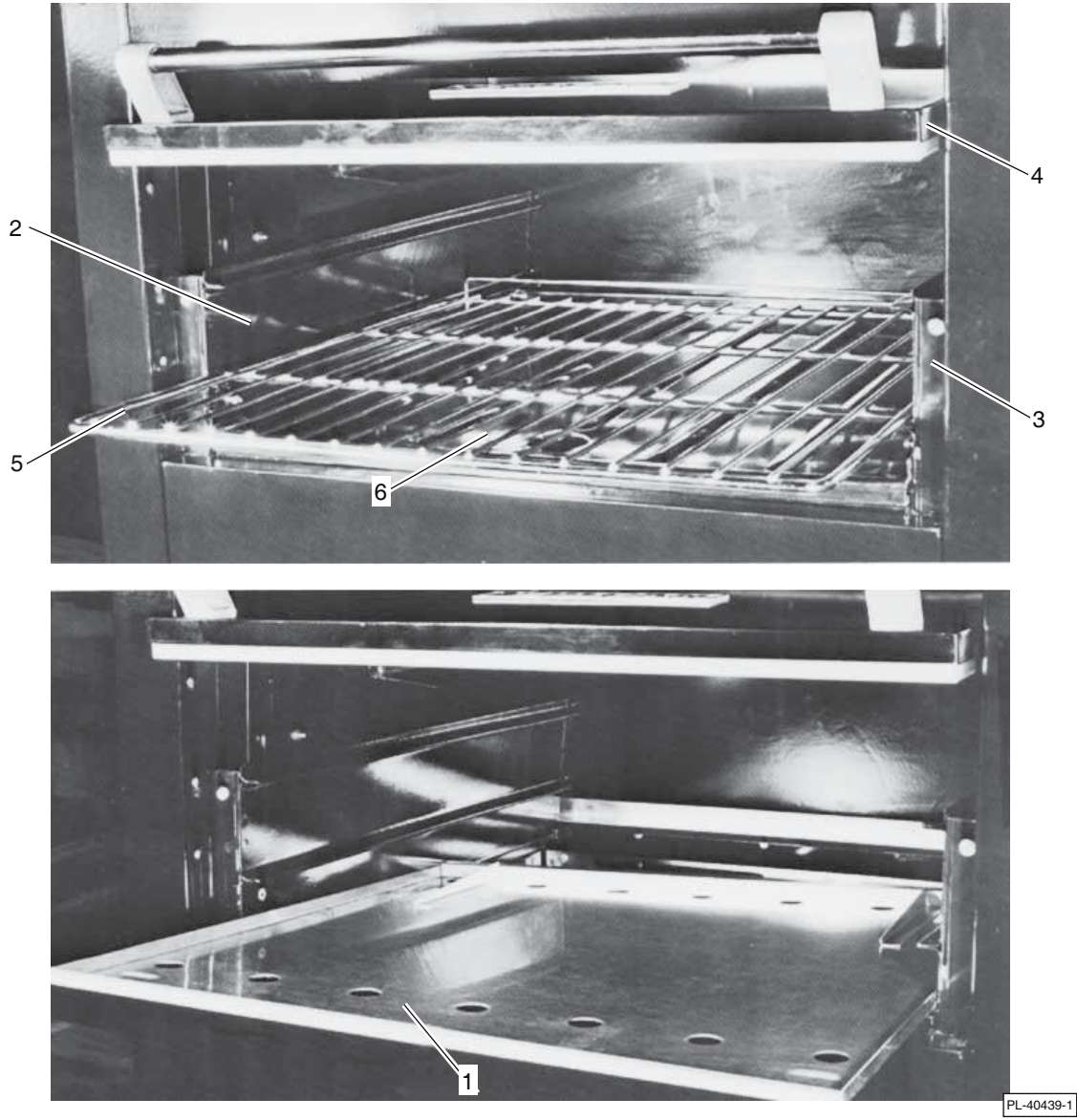


PL-40438-1

**PARTS - GRID ASSEMBLY GHCB40 & GHCB44**

ILLUS.	PART NO.	DESCRIPTION	QTY.	
			GHCB40	GHCB44
1	00-417074-000G1	Grid Final Assembly .....	1	1
2	00-411040-000G1	Grid Drip Shield .....	1	1
3	00-411280-00001	Drip Shield Rod .....	1	1
4	00-413612-000G1	Lifting Arm Assembly .....	1	1

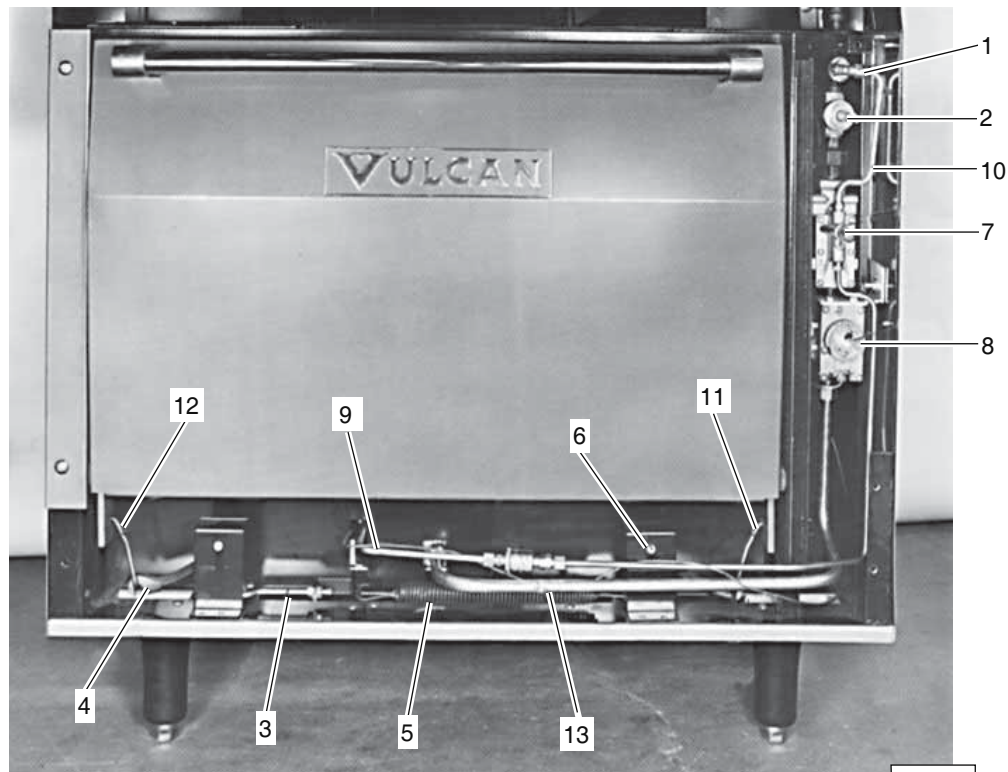




**PARTS - AUGRATIN OVEN SECTION GHCB40 & GHCB44  
PARTS - AUGRATIN OVEN BAFFLE GHIR44, GHCB44 & GHCB40**

ILLUS. PL-40439-1	PART NO.	DESCRIPTION	QTY.		
			GHIR44	GHCB40	GHCB44
1	00-405522-000G1	Oven Bottom Baffle Assembly .....	1	1	1
2	00-405489-000G2	Oven Side Lining Assembly, Lt. Hd. ....	1	1	1
3	00-405489-000G1	Oven Side Lining Assembly, Rt. Hd. ....	1	1	1
4	00-405488-000G2	Augratin Oven Door Assembly .....	1	1	1
5	00-404074-00002	Oven Rack .....	1	2	1
6	00-405123-000G3	Oven Bottom Assembly .....	1	1	1

**HEAVY DUTY GAS BROILER REPLACEMENT PARTS**



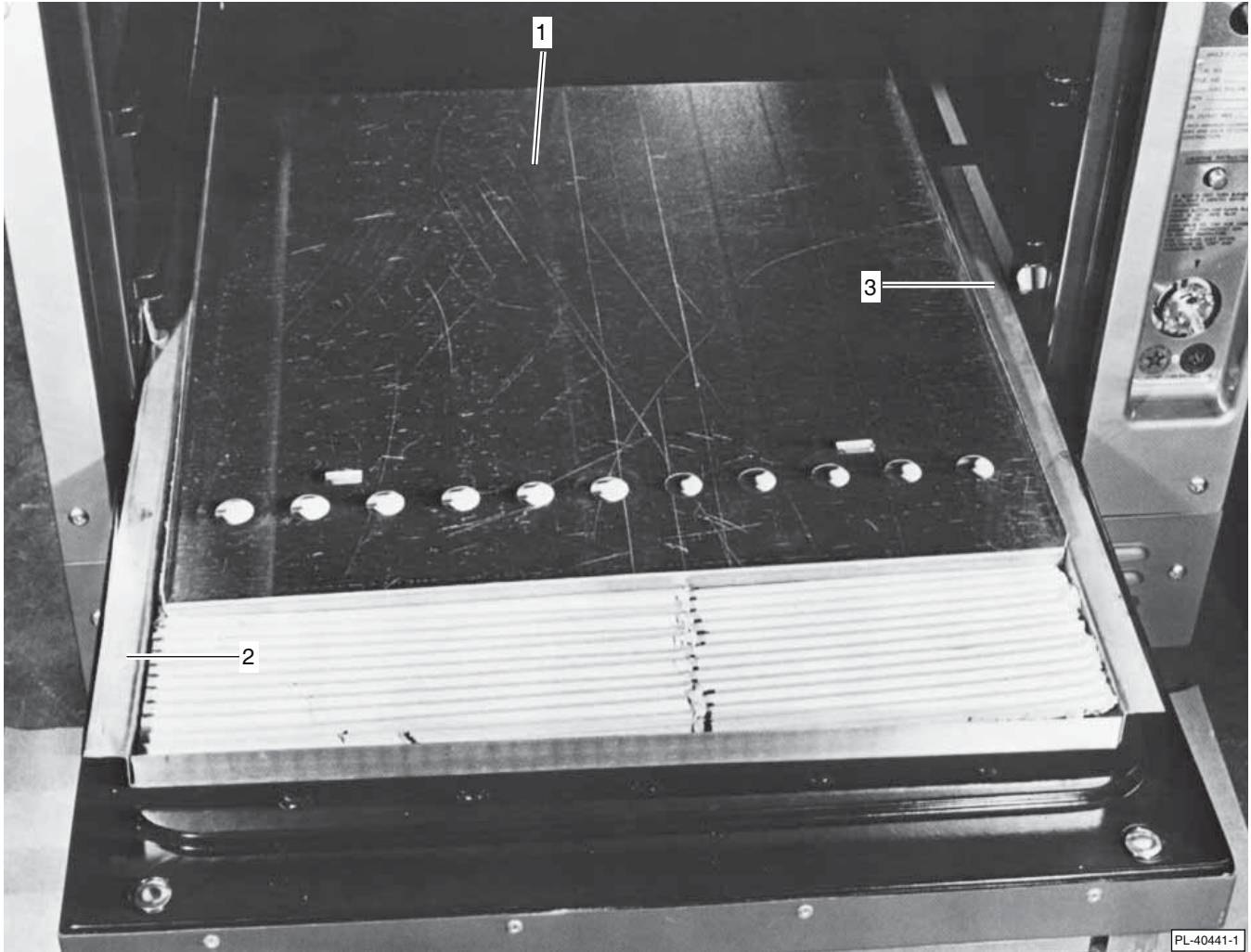
**PARTS - OVEN MANIFOLD & CONTROLS GHCB40 / GHCB40C**

ILLUS.

PL-40440-1A	PART NO.	DESCRIPTION	QTY.
1	00-404193-00001	Pilot Valve .....	1
2	00-407789-00001	Burner Valve .....	1
3	00-413091-00001	J Hook .....	2
4	00-403956-00001	Bell Crank .....	2
5	00-412014-00001	Oven Door Spring .....	1
6	00-403971-00001	Bell Crank Pin .....	2
7	00-407798-00004	Safety Valve (FMDA) ( Prior to Sept. 2000) .....	1
	00-427083-00002	Safety Valve (TS11) ( Sept. 2000 Thru Aug. 2004) .....	1
	00-720719	Safety Valve (BASO) ( Sept. 2004 to Present) .....	1
8	00-407522-00001	Thermostat .....	1
9	00-426505-00042	Pilot Tubing Shut Off to Pilot (Not Shown) .....	1
10	00-426505-00006	Pilot Tubing Pilot Valve to Shut Off .....	1
11	00-405618-00002	Oven Door Hook, Right .....	1
12	00-405618-00001	Oven Door Hook, Left .....	1
13	00-409824-00001	Oven Burner Tubing .....	1
	00-405643-0000F	Oven Burner Elbow .....	1
	00-010901-00049	Oven Orifice Spud Propane .....	1
	00-010901-00050	Oven Orifice Spud Butane .....	1
	00-412788-00002	Thermocouple (TS11 Valve) .....	1
	00-412788-00004	Thermocouple (BASO Valve) .....	1
	00-409125-00001	Oven Pilot (Nat. Gas) (Prior to Sept. 2000) .....	1
	00-409125-00003	Oven Pilot (LP Gas) (Prior to Sept. 2000) .....	1
	00-409125-00002	Oven Pilot (MFG Gas) (Prior to Sept. 2000) .....	1
	00-426262-00001	Oven Pilot (Nat. Gas) ( Sept. 2000 to Present) .....	1
	00-426262-00002	Oven Pilot (LP Gas) ( Sept. 2000 to Present) .....	1

**CONVECTION OVENS GHCB40C**

00-419730-00001	Motor (120V) .....	1
00-411496-000F1	Micro Switch Door .....	2
00-418557	Door Gasket .....	2
00-411496-000B4	ON/OFF Switch .....	2
00-411496-000E4	ON Light .....	2
00-413976-00001	Thermostat Knob .....	2
00-411506-00003	Convection Oven Thermostat .....	2

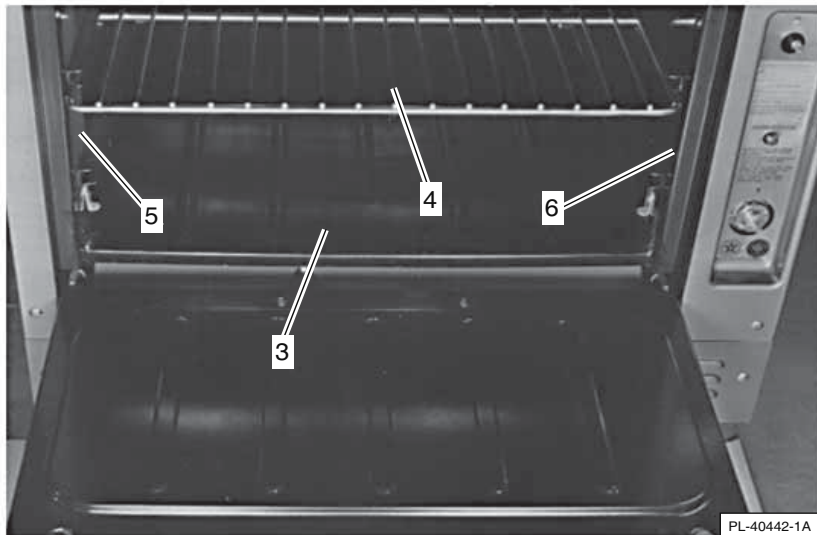
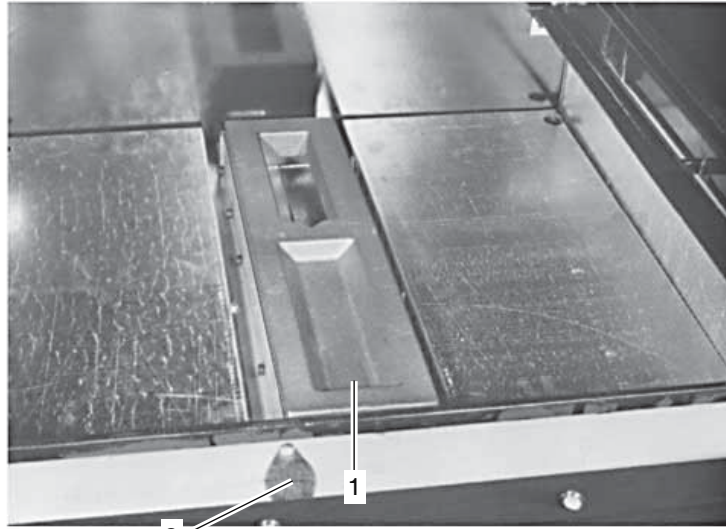


**PARTS - OVEN BAFFLE ASSEMBLY GHCB40**

ILLUS.	PART NO.	DESCRIPTION	QTY.
PL-40441-1	00-405124-00005	Oven Bottom Baffle .....	1
	00-405928-00004	Foil Face Insulation .....	1
	00-409787-00001	Oven Bottom Insulation Pan .....	1

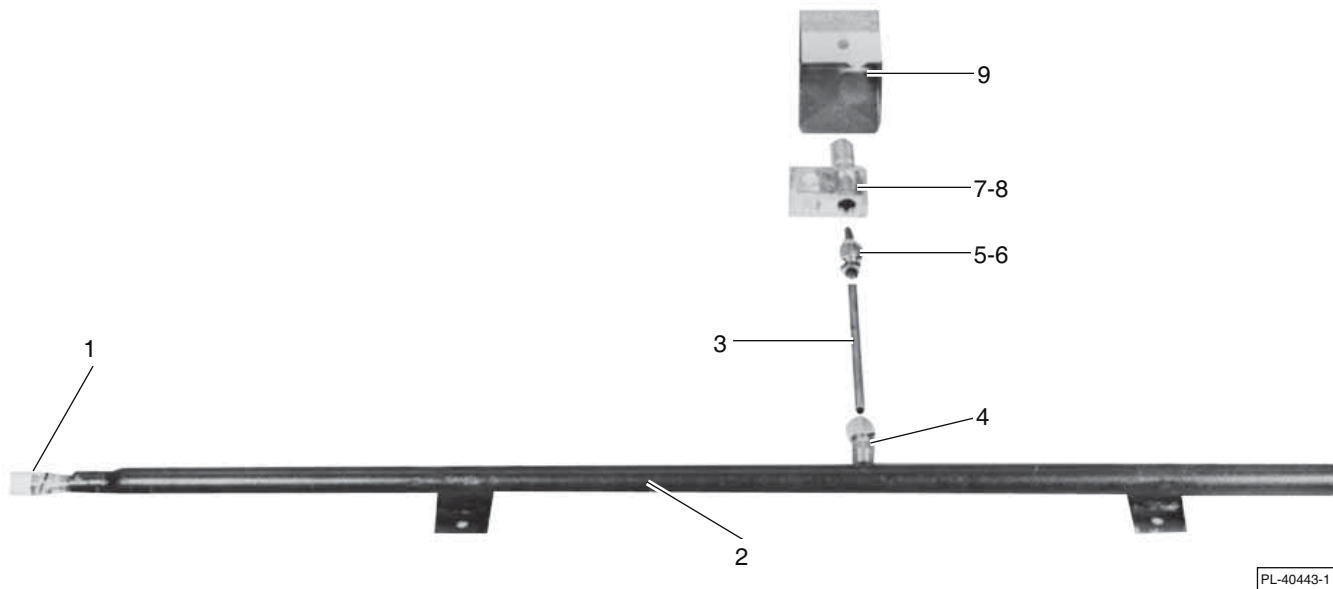
**HEAVY DUTY GAS BROILER REPLACEMENT PARTS**

---



**PARTS - OVEN SECTION GHCB40**

ILLUS.	PART NO.	DESCRIPTION	QTY.
1	00-409819-000G2	Burner Assembly (Oven) .....	1
2	00-411928-00001	Lighting Hole Cover .....	2
3	00-405123-000G3	Oven Bottom Assembly .....	1
4	00-404074-00002	Oven Rack .....	2
5	00-409778-000G2	Oven Side Lining Assem., Lt. Hd. ....	1
6	00-409778-000G1	Oven Side Lining Assem., Rt. Hd. ....	1

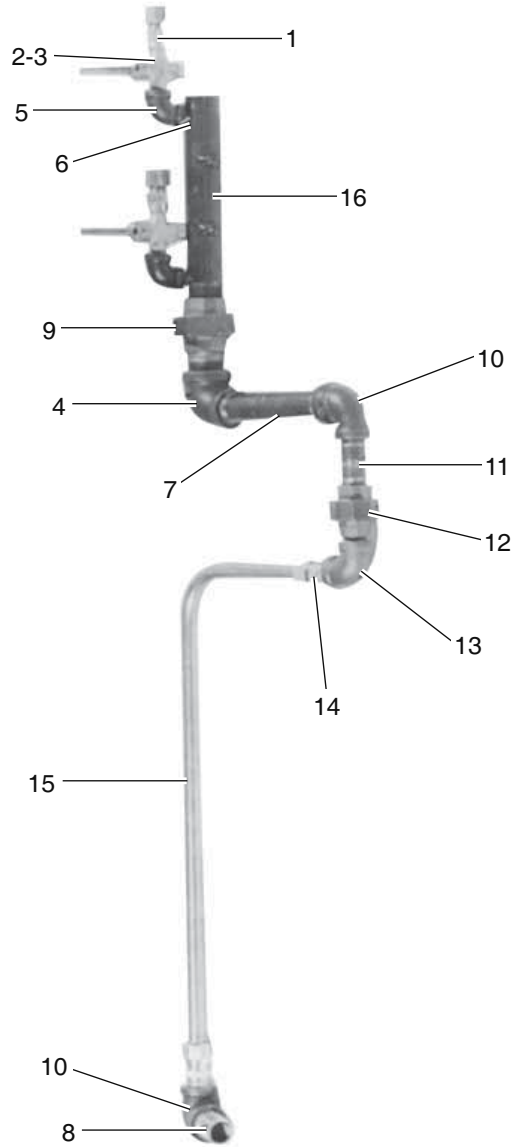


PL-40443-1

**PARTS - PILOT ASSEMBLY IR1, IR2, GHIR44**

ILLUS.	PART NO.	DESCRIPTION	QTY.		
			IR1	IR2	GHIR44
PL-40443-1					
1	00-404738-00003	Pilot Adj. Valve .....	1	2	1
2	00-414860-00001	Pilot - Sub Manifold .....	1	2	1
3	00-414748-00001	Pilot Tube .....	4	8	4
4	FP-012-16	Fitting 1/8" MPT x 1/4" CC .....	4	8	4
5	00-408485-00079	Pilot Orifice (NAT.) .....	4	8	4
6	00-408485-00010	Pilot Orifice (PROPANE) .....	4	8	4
7	00-414795-00001	Pilot Burner Nozzle (NAT.) .....	4	8	4
8	00-414795-00002	Pilot Burner Nozzle (PROPANE) .....	4	8	4
9	00-414862-00001	Pilot Support Housing .....	4	8	4

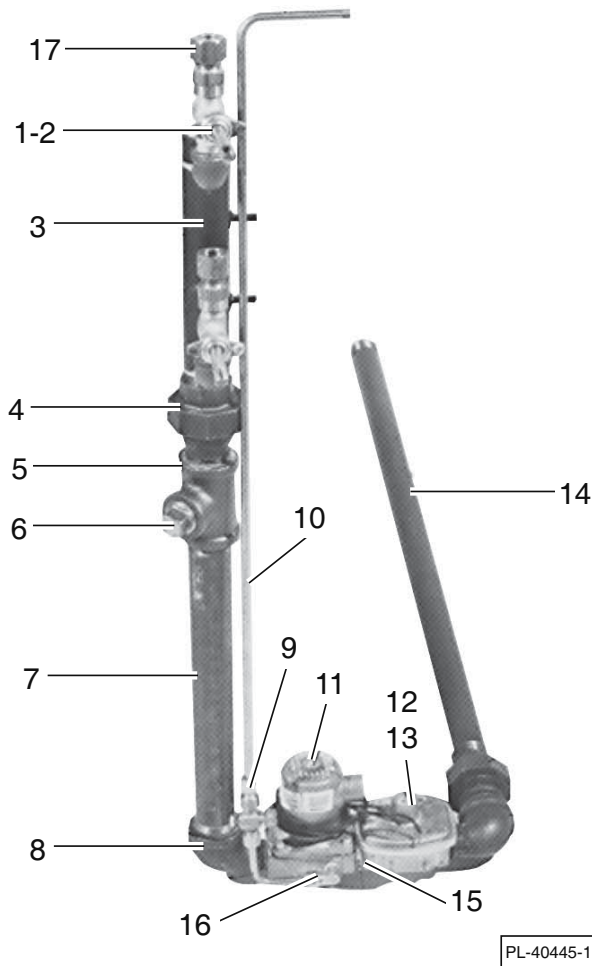
**HEAVY DUTY GAS BROILER REPLACEMENT PARTS**



PL-40444-1

**PARTS - MANIFOLD ASSEMBLY (TOP) IR2**

ILLUS.	PART NO.	DESCRIPTION	QTY.
1	FP-012-01	Fitting $\frac{3}{8}$ " x $\frac{1}{2}$ " CC .....	2
2	00-410610-00008	HI-LO Valve (NAT.) .....	2
3	00-410610-00009	HI-LOW Valve (PROPANE & BUTANE) .....	2
4	FP-079-97	Elbow - Reducing $\frac{3}{4}$ " 1" LG. ....	1
5	FP-016-02	Elbow - Reducing $\frac{1}{4}$ " x $\frac{3}{8}$ " .....	2
6	FP-035-38	Close Nipple $\frac{1}{4}$ " .....	2
7	FP-085-88	Nipple $\frac{3}{4}$ " x 6 $\frac{1}{4}$ " LG. ....	1
8	FP-036-91	Nipple Closed $\frac{3}{4}$ " .....	1
9	FP-085-61	Union - Male Female 1" .....	1
10	FP-078-89	Elbow - Reducing $\frac{1}{2}$ " x $\frac{3}{4}$ " .....	2
11	FP-035-96	Nipple $\frac{1}{2}$ " x 2 $\frac{1}{2}$ " LG. ....	1
12	FP-022-11	Union $\frac{1}{2}$ " .....	1
13	FP-077-68	Elbow $\frac{1}{2}$ " 90° .....	1
14	FP-012-08	Fitting $\frac{1}{2}$ " x $\frac{5}{8}$ " CC .....	2
15	FP-059-76	Nipple $\frac{3}{4}$ " x 2 $\frac{1}{4}$ " .....	1
16	00-408199-000G2	Manifold Pipe Assembly .....	1

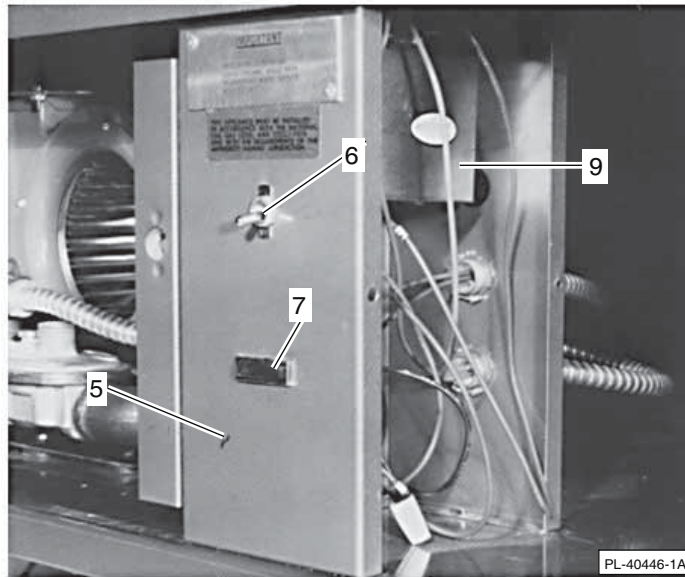
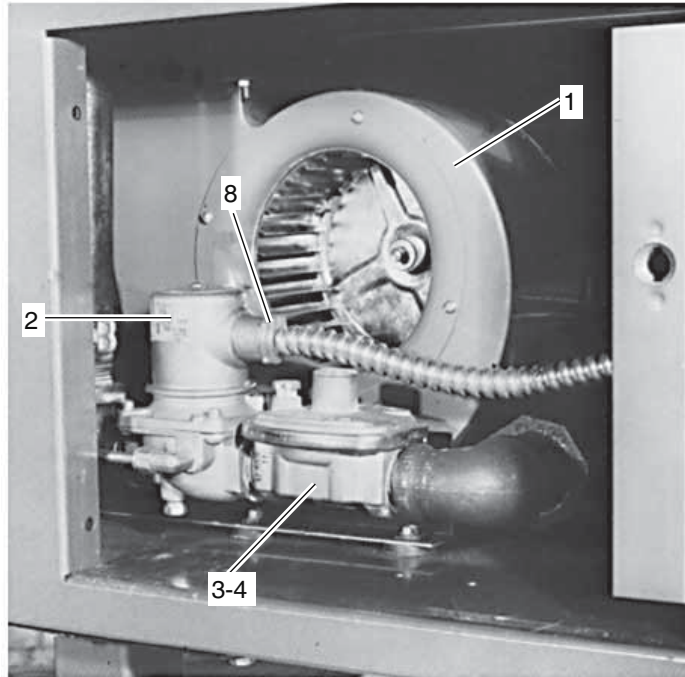


**PARTS - MANIFOLD ASSEMBLY (BOTTOM) IR1 & IR2**

ILLUS.	PART NO.	DESCRIPTION	QTY.	
			IR1	IR2
PL-40445-1				
1	00-410610-00009	HI-LOW Valve (PROPANE & BUTANE) .....	2	2
2	00-410610-00008	HI-LOW Valve (NAT.) .....	2	2
3	00-408199-000G2	Manifold Assembly .....	1	1
4	FP-085-61	Union 1" Male - Female .....	2	2
5	FP-019-42	Tee Reducing 1" x 1" x 3/4" .....	1	1
6	FP-028-18	Pipe Plug 3/4" .....	1	1
7	FP-036-24	Nipple 1" x 12" LG. ....	1	1
8	FP-079-97	Elbow Reducing 3/4" x 1" .....	2	2
9	00-404949-00001	Pilot Valve .....	1	1
10	00-415156-00001	Pilot Tube .....	1	1
11	00-428578-000G1	Solenoid .....	1	1
12	00-408279-00021	Regulator (PROPANE OR BUTANE) .....	1	1
		[Select For Proper Gas]		
13	00-408279-00020	Regulator (NAT.) .....	1	1
14	FP-085-88	Pipe 1" x 35" LG. ....	1	1
15	FP-085-01	Nipple 3/4" x 1" LG. ....	3	3
16	FP-012-21	Elbow Fitting 1/8" x 1/4" CC .....	1	1
17	FP-012-01	Fitting 3/8" x 1/2" CC .....	2	2

**NOTE:** Photo shows street El Manifold Construction.  
 Proper construction uses (2) 3/4" x 1" reducing elbows FP-079-97 with (2) nipples 3/4" x 1" FP-085-01.

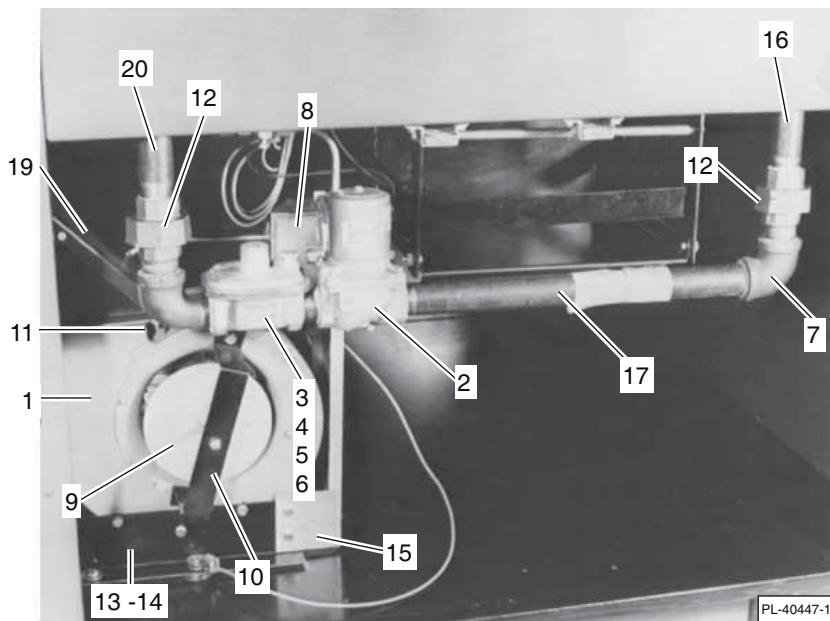
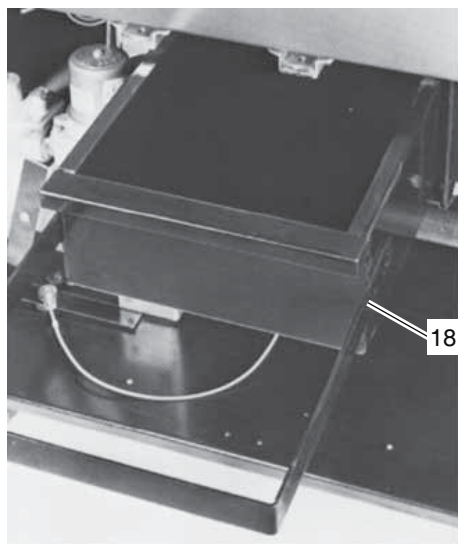
**HEAVY DUTY GAS BROILER REPLACEMENT PARTS**



**PARTS - BLOWER MOTOR IR1 & IR2**

ILLUS.	PART NO.	DESCRIPTION	IR1	QTY.	IR2
PL-40446-1A					
1	00-413552-00004	Blower & Motor .....	1	1	1
2	00-428578-000G1	Solenoid .....	1	1	1
3	00-408279-00020	Regulator (NAT.) .....	1	1	1
4	00-408279-00021	Regulator (PROPANE OR BUTANE) .....	1	1	1
5	00-409033-000G2	Lock Panel .....	1	1	1
6	00-417812-00001	Toggle Switch .....	1	1	1
7	00-411496-000E4	Signal Light .....	1	1	1
8	FE-002-03	Tomic Connector $\frac{3}{8}$ " .....	4	4	4
9	00-409254-00001	Pressure Switch (Used on Units Prior to Aug. 2000) .....	1	1	1



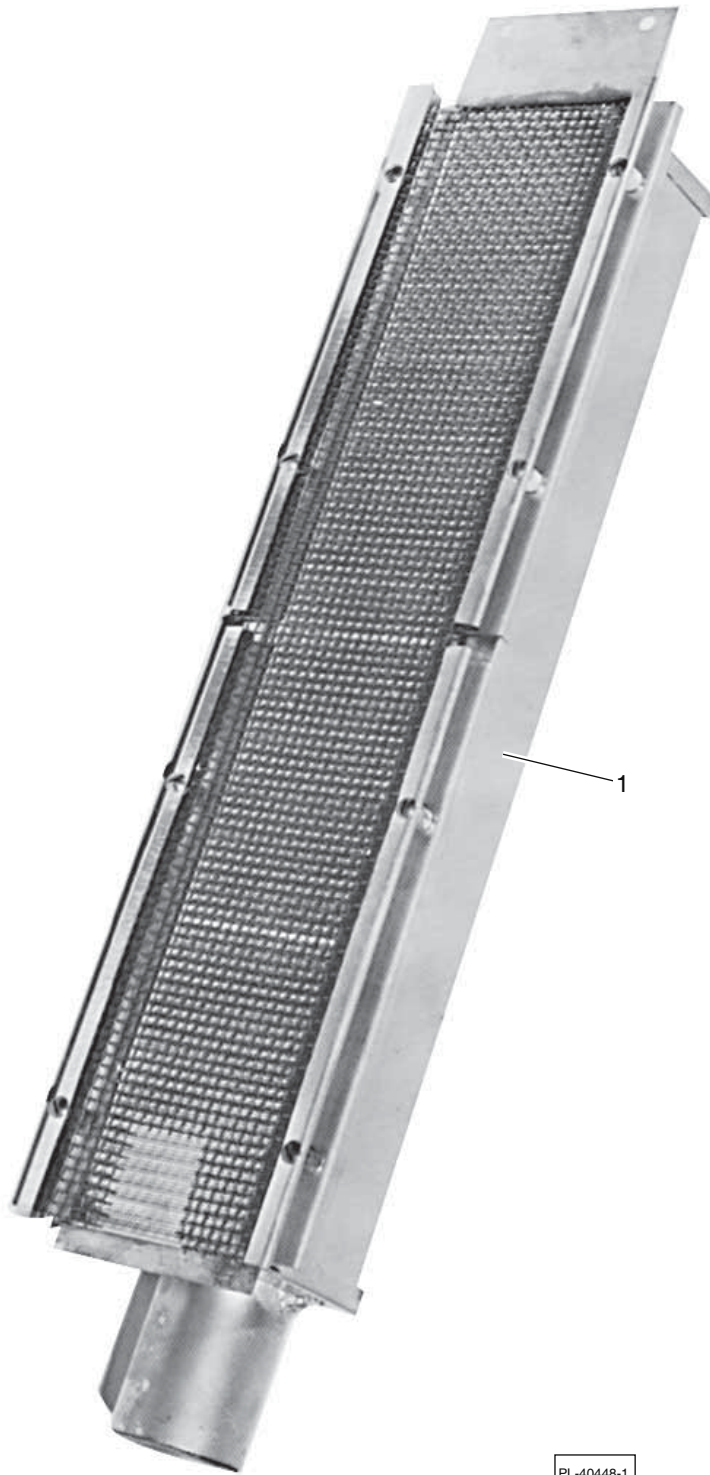


**PARTS - MANIFOLD CONTROLS GHIR44**

ILLUS.	PART NO.	DESCRIPTION	QTY.
PL-40447-1			
1	00-413552-00004	Blower & Motor .....	1
2	00-428578-000G1	Solenoid .....	1
3	00-408279-00022	Regulator (NAT.) 3/4" .....	1
4	00-408279-00021	Regulator (PROPANE) 3/4" .....	1
		[Select for Proper Gas]	
5	00-408279-00012	Regulator (NAT.) 1 1/4" .....	1
6	00-408279-00013	Regulator (PROPANE) 1 1/4" .....	1
7	FP-013-22	Elbow 3/4" 90 Degree .....	1
8	00-414755-00001	Pressure Switch (Used on Units Prior to Aug. 2000) .....	1
9	00-409696-000G1	Air Disc .....	1
10	00-413551-00001	Disc Support .....	1
11	FP-018-11	Street El 3/4" .....	1
12	FP-085-60	Union 3/4" Male - Female .....	2
13	00-413550-00001	Support Angles, Left .....	1
14	00-413550-00002	Support Angles Right .....	1
15	00-413556-00001	Bracket .....	1
16	FP-085-89	Riser Pipe 3/4" x 8 3/4" .....	1
17	FP-086-57	Pipe 3/4" x 13 3/16" .....	1
18	00-400994-000G1	Grease Pan .....	1
19	00-414757-00003	Air Duct Cover .....	1
20	FP-059-74	Drop Pipe 3/4" x 12 1/4" .....	1
	00-414867-00001	Air Tube .....	1
	FP-036-91	Nipple - Closed 3/4" .....	1
	00-414756-00001	Air Duct .....	1

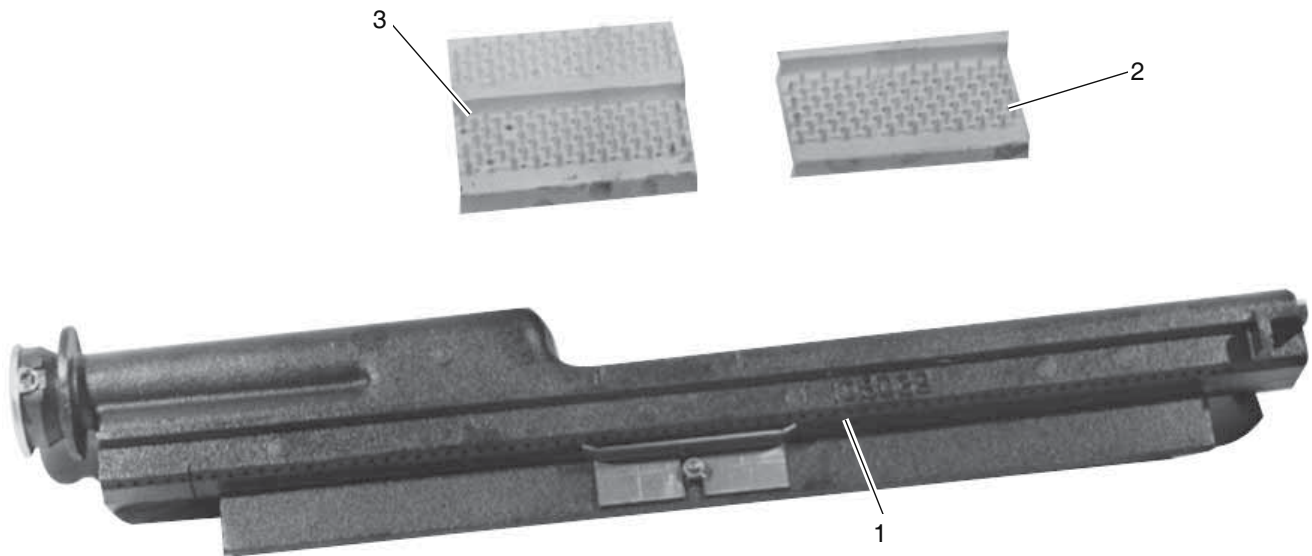
**HEAVY DUTY GAS BROILER REPLACEMENT PARTS**

---



**PARTS - BURNER ASSEMBLY IR1, IR2 & GHIR44**

ILLUS.	PART NO.	DESCRIPTION	QTY.		
			IR1	IR2	GHIR44
1	00-414754-00003	Infrared Burner Assembly .....	4	8	4



**PARTS - BURNER ASSEMBLY & CERAMICS HCB1 & HCB2**

ILLUS. PL-40449-1	PART NO.	DESCRIPTION	QTY.	
			HCB1	HCB2
1	00-411551-000G1	Burner Assembly .....	4	8
2	00-404146-00001	Burner Ceramic - Sides .....	8	16
3	00-404145-00001	Burner Ceramic - Center .....	12	24
	00-408726-000G2	Ceramic Set (Contains 8 Sides and 12 Center Bricks) .....	1	2

**HEAVY DUTY GAS BROILER REPLACEMENT PARTS**

---

**RECOMMENDED SPARE PARTS  
GHCB40 & GHCB40C CERAMIC BROILER**

<b>PART NO.</b>	<b>DESCRIPTION</b>	<b>QTY.</b>
<b>BROILER SECTION</b>		
00-010901-00043	Broiler Orifice (Nat. Gas) .....	2
00-010901-00053	Broiler Orifice (LP Gas) .....	2
00-408379-00003	ON/OFF Valve .....	2
00-405655-00004	Roller Bearing W/Shaft .....	8
00-411551-000G1	Burner Assy. ....	2
<b>OVEN SECTION</b>		
00-010901-00031	Oven Orifice (Nat. Gas) .....	1
00-010901-00049	Oven Orifice (LP Gas) .....	1
00-427083-00002	Oven Safety (Used Until August 31, 2004) .....	2
00-407522-00001	Oven Thermostat .....	2
00-413614-00001	Oven Thermostat Knob .....	2
00-412788-00002	Thermocouple (Used Until August 31, 2004) .....	2
00-407789-00001	Service Valve .....	1
00-402957-00002	Service Valve Knob .....	1
00-720719	Safety Valve (Used From September 2004 to Present) .....	2
00-412788-00004	Thermocouple (Used From September 2004 to Present) .....	2
00-412014-00001	Oven Spring .....	2
00-403956-00001	Bell Crank .....	2
00-405618-00001	Door Hook (Left) .....	2
00-405618-00002	Door Hook (Right) .....	2
<b>CONVECTION OVENS</b>		
00-419730-00001	Motor 120V .....	1
00-411496-000F1	Micro Switch Door .....	2
00-418557	Door Gasket .....	2
00-411496-000B4	ON/OFF Switch .....	2
00-411496-000E4	ON Light .....	2
00-426262-00001	Pilot Assy. (Nat. Gas) .....	2
00-426262-00002	Pilot Assy. (LP Gas) .....	2
00-413976-00001	Thermostat Knob .....	2
00-411506-00003	Convection Oven Knob .....	2

**RECOMMENDED SPARE PARTS  
IR1, IR2 & GHIR44**

PART NO.	DESCRIPTION	QTY.
00-407727-00005	ON/OFF Burner Knob (IR1 & IR2) .....	2
00-407727-00004	Hi/Med/Low Burner Knob (GHIR44) .....	2
00-405016-00001	Electric Supply Cord .....	1
00-413552-00004	Blower Motor .....	1
00-428578-000G1	Solenoid Valve .....	1
00-408485-00079	Pilot Orifice (Nat. Gas) .....	2
00-408485-00010	Pilot Orifice (LP Gas) .....	2
00-411496-000E4	Signal Light .....	1
00-404738-00003	Pilot Adj. Valve .....	1
00-410610-00008	Hi/Low Valve (Nat. Gas) (IR1 & IR2) .....	1
00-410610-00009	Hi/Low Valve (LP Gas) (IR1 & IR2) .....	1
00-408119-0001N	Hi/Med/Low Valve (Nat. Gas) (GHIR44) .....	1
00-408119-0001L	Hi/Med/Low Valve (LP Gas) (GHIR44) .....	1
00-417812-00001	Toggle Switch .....	1
00-414754-00003	Infrared Burner Assy. ....	1