

VULCAN CATALOG OF

REPLACEMENT PARTS

GRA, GRAF, GRBD & GRBDF SERIES GAS FRYER

With KleenScreen PLUS® Filtration Systems

BATTERY

2GR45AF	ML-136650
2G4BDF	ML-136650
2GR65AF	ML-136651
2G6BDF	ML-136651
2GR85AF	ML-136652
2G8BDF	ML-136652
3GR45AF	ML-136653
3G4BDF	ML-136653
3GR65AF	ML-136654
3G6BDF	ML-136654
3GR85AF	ML-136655
3G8BDF	ML-136655
4GR45AF	ML-136656
4G4BDF	ML-136656
4GR65AF	ML-136657
4G6BDF	ML-136657
4GR85AF	ML-136681
4G8BDF	ML-136681
2XG4BDF	ML-136658
2XG6BDF	ML-136659
2XG8BDF	ML-136660

STAND ALONE

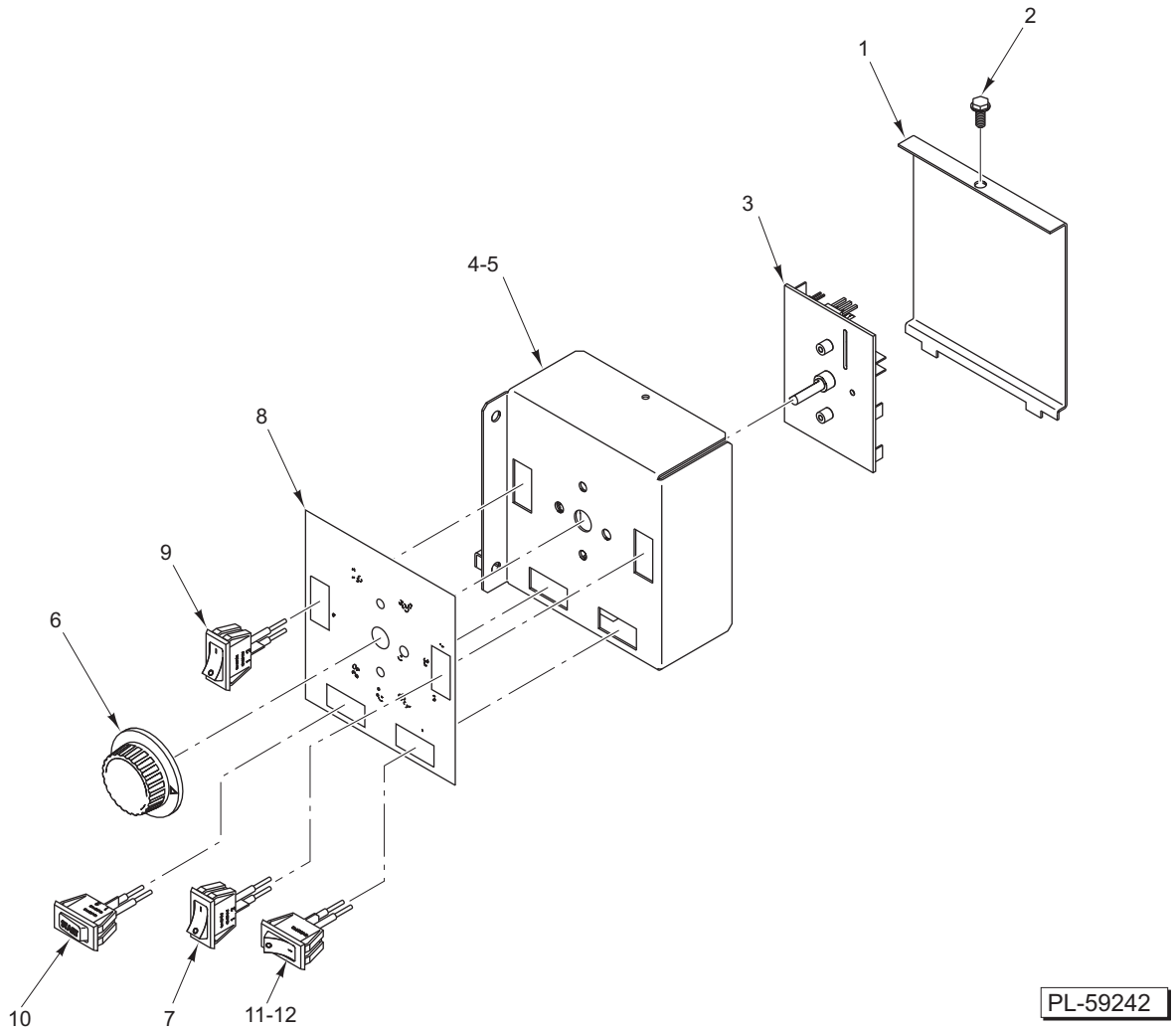
1GR45A	ML-136647
1G4BD	ML-136647
1GR65A	ML-136648
1G6BD	ML-136648
1GR85A	ML-136649
1G8BD	ML-136649



For additional information on Vulcan-Hart Company or to locate an authorized parts and service provider in your area, visit our website at www.vulcanequipment.com

Table Of Contents

5	CONTROL BOX ASSEMBLY
7	POWER SUPPLY BOX
9	BODY UNIT (STAND-ALONE)
11	BODY UNIT (BATTERY)
13	BURNER COMPONENTS (STAND-ALONE)
15	BURNER COMPONENTS (BATTERY)
17	GAS VALVE
19	GAS INLET MANIFOLD
21	TANK AND DRAIN (STAND-ALONE)
23	TANK AND DRAIN (BATTERY)
25	OIL RETURN (BATTERY)
27	FILTER ASSEMBLY

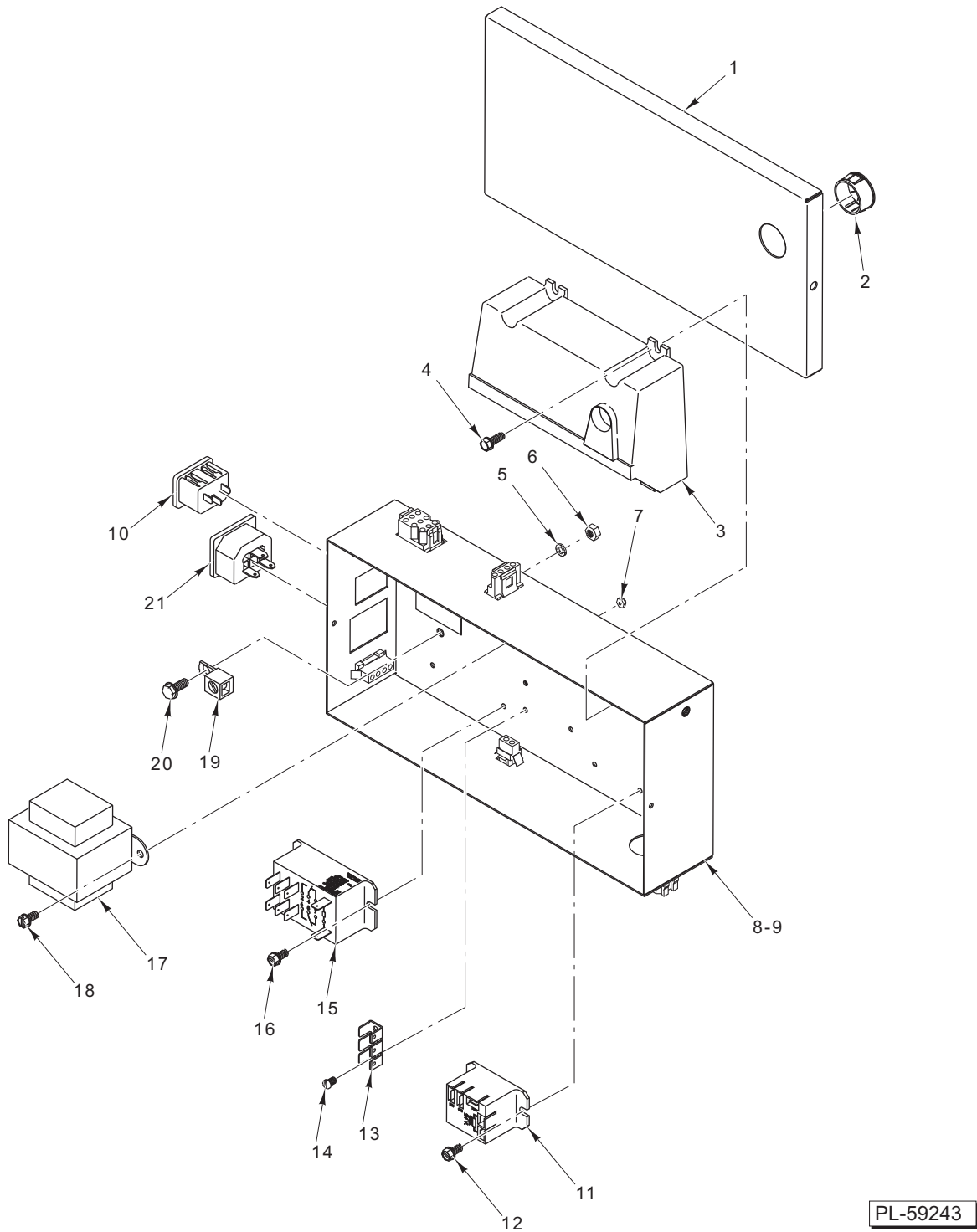


PL-59242

CONTROL BOX ASSEMBLY

CONTROL BOX ASSEMBLY

ILLUS.	PART NO.	NAME OF PART	AMT.
PL-59242			
1	00-957822-00001	Cover – Control Box	1
2	SD-032-07	Self-Tapping Screw 10-24 x 1/2 Hex Washer Hd., Type TT	1
3	00-956926-000G1	Control Assy. – Behind Door	1
4	00-499716-00001	Plate – Control Mounting (LH)	1
5	00-499716-00002	Plate – Control Mounting (RH) (2G4, 2G6, 2G8, 3G4, 3G6, 3G8, 4G4, 4G6, & 4G8).....	1
6	00-411242-00001	Knob	1
7	00-427755-000G1	Switch Assy. – Power.....	1
8	00-956827-00002	Overlay	1
9	00-427755-000G1	Switch – Rocker S.P.S.T.	1
10	00-427755-000G2	Switch Assy. (Start).....	1
11	00-427755-000G1	Switch Assy. – Power (Filter)	1
12	00-426251-00002	Plug – Switch (Non-Filter).....	1

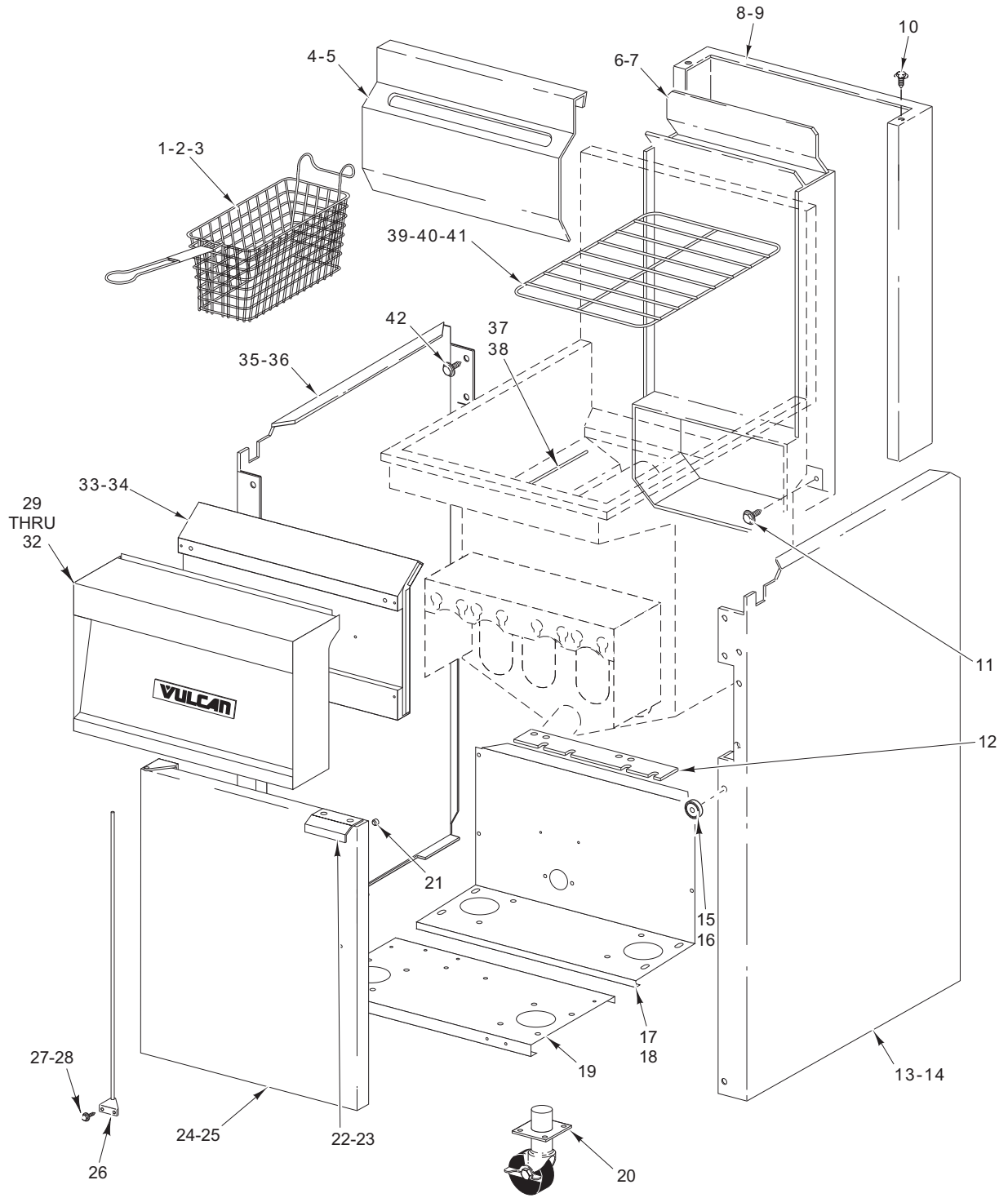


PL-59243

POWER SUPPLY BOX

POWER SUPPLY BOX

ILLUS.	PART NO.	NAME OF PART	AMT.
PL-59243			
1	00-428684-00002	Lid – Power Supply.....	1
2	FE-024-24	Bushing – Electrical Snap.....	1
3	00-857207-00001	Module – Ignition.....	1
4	SD-037-49	Self-Tapping Screw 8-18 x 1/2 Hex Washer Hd., Type AB.....	4
5	WL-004-40	Lockwasher #10 Helical.....	1
6	NS-044-09	Nut Assy. 10-24 Hex KEPS.....	1
7	NS-047-32	Lock Nut 4-40 Hex.....	2
8	00-428716-000G1	Box – Power Supply (Filter).....	1
9	00-428716-000G2	Box – Power Supply (120 V.) (Non-Filter).....	1
10	00-419973-000G1	Receptacle – Male Power.....	1
11	00-497125-00001	Relay S.P.D.T. (24 VAC) (Battery Units) (Filter).....	1
12	SD-036-03	Self-Tapping Screw 8-18 x 3/8 Hex Washer Hd., Type AB (Battery Units).....	2
13	00-419317	Lug – Terminal.....	1
14	SC-060-23	Mach. Screw 4-40 x 1/4 Slotted Rd. Hd.....	2
15	00-428864-00001	Relay (Battery Units).....	1
16	SD-036-03	Self-Tapping Screw 8-18 x 3/8 Hex Washer Hd., Type AB (Battery Units).....	2
17	00-411500-00012	Transformer (120 V.-24 V., 40 Amp.).....	1
18	SD-036-03	Self-Tapping Screw 8-18 x 3/8 Hex Washer Hd., Type AB.....	2
19	00-417856-00001	Lug – Ground.....	1
20	SD-032-07	Self-Tapping Screw 10-24 x 1/2 Hex Washer Hd., Type TT.....	1
21	00-419973-000G2	Receptacle – Female Power (Battery Units).....	1
	00-419967-00005	Cord – Power Supply (84 In.).....	1
	00-419967-00003	Jumper – Extension (24 1/2 In.).....	1
	00-428685-000G2	Box – Power Supply (With Filtration) (Incls. Items 1 thru 8 & 10 thru 21).....	1
	00-428685-000G5	Box – Power Supply (Without Filtration) (Incls. Items 1 thru 7 & 9 thru 21).....	1

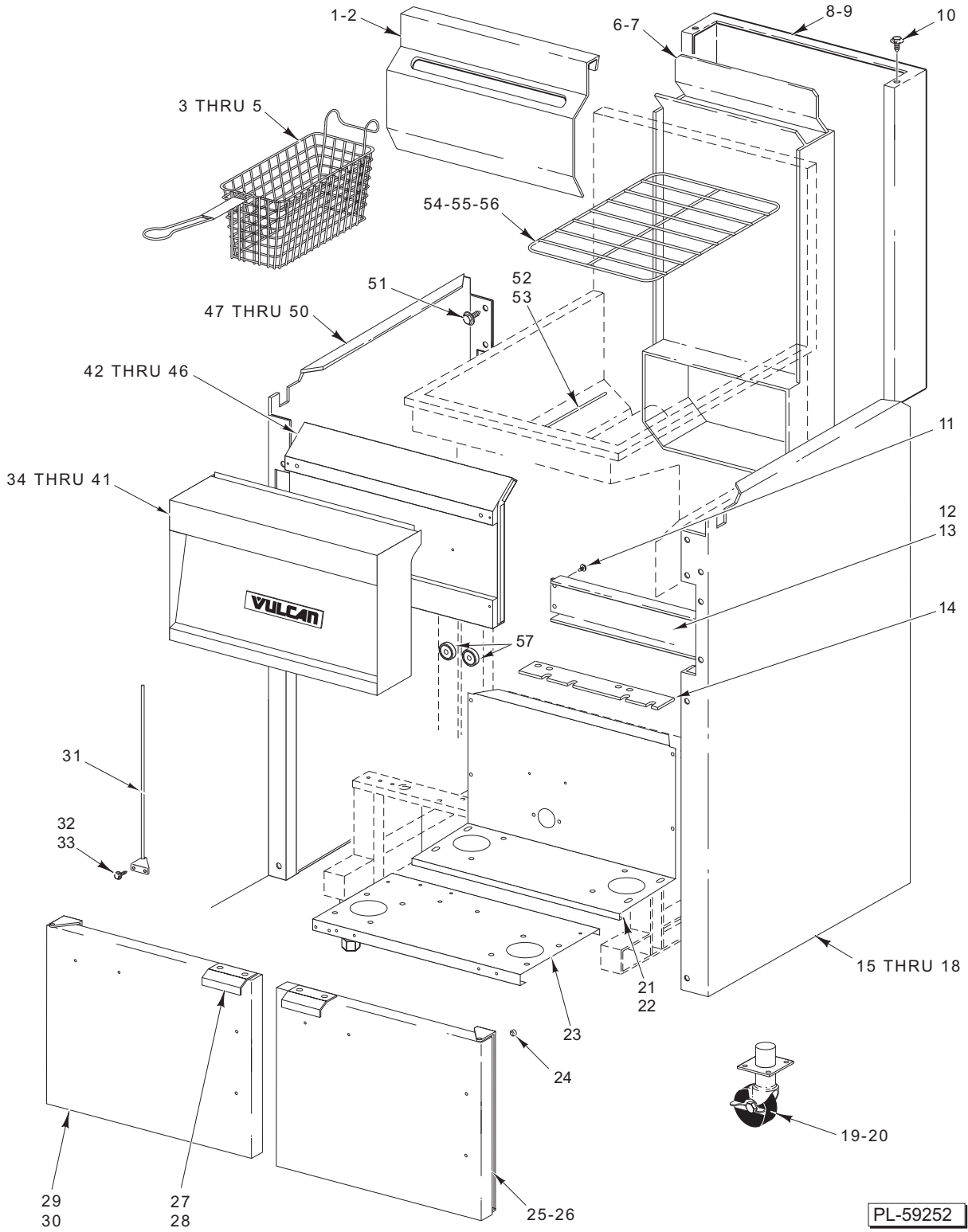


PL-59244

BODY UNIT (STAND-ALONE)

BODY UNIT (STAND-ALONE)

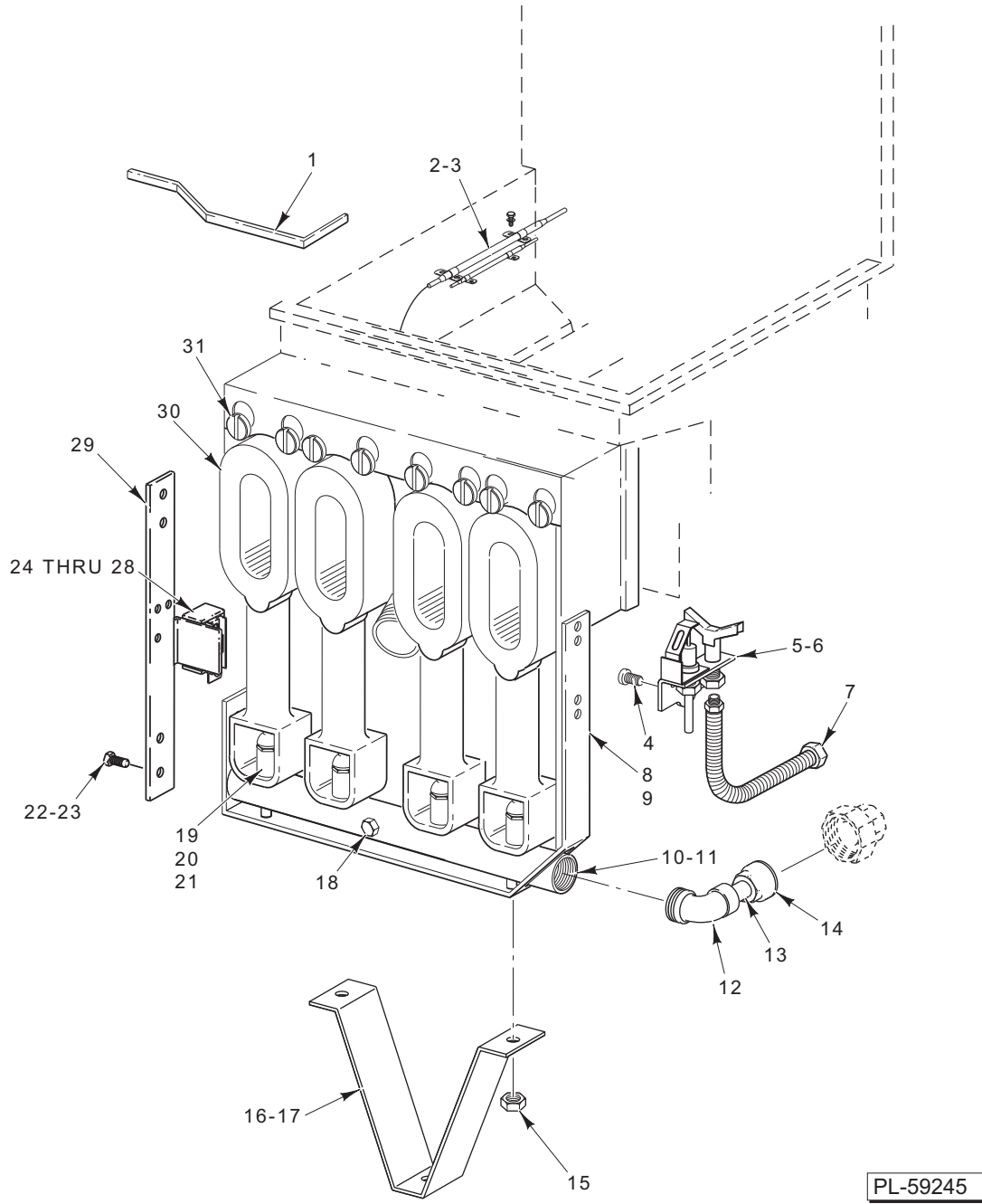
ILLUS.	PART NO.	NAME OF PART	AMT.
PL-59244			
1	00-499223-00001	Basket – Twin (1G4)	2
2	00-499223-00002	Basket – Twin (1G6)	2
3	00-499223-00003	Basket – Twin (1G8)	1
4	00-417056-00002	Hanger – Basket (1G4)	2
5	00-418321-00002	Hanger – Basket (1G6 & 1G8).....	2
6	00-418201-000G2	Flue Assy. (4 Tube) (1G4).....	1
7	00-418205-000G2	Flue Assy. (5 Tube) (1G6 & 1G8).....	1
8	00-416959-00002	Wrap – Flue (4 Tube) (1G4).....	1
9	00-418336-00002	Wrap – Flue (5 Tube) (1G6 & 1G8).....	1
10	SD-032-07	Self-Tapping Screw 10-24 x 1/2 Hex Washer Hd., Type TT	2
11	SD-037-70	Self-Tapping Screw 1/4-20 x 1/2 Hex Washer Hd., Type TT	4
12	00-428688-00001	Bracket – Power Supply	1
13	00-419648-00002	Body – RH Side (SST) (1G4 & 1G6)	1
14	00-420596-00004	Body – RH Side (SST) (1G8).....	1
15	RS-033-04	Rivet – Pop	1
16	00-497296-000G1	Magnet Assy.....	1
17	00-497428-00001	Body – Bottom (1G4).....	1
18	00-497428-00003	Body – Bottom (1G6).....	1
19	00-497428-00004	Body – Bottom (1G8).....	1
20	00-421893-00001	Caster (With Mount Plate) (Set).....	1
21	00-420769-00001	Bumper – Rubber	1
22	00-419653	Handle – Door.....	1
23	RS-033-04	Rivet – Pop (0.187).....	2
24	00-499487-000G1	Door Assy. (LH) (1G4).....	1
25	00-499487-000G5	Door Assy. (LH) (1G6 & 1G8)	1
26	00-428023-000G2	Hinge Assy. (LH Door)	1
27	SD-032-07	Self-Tapping Screw 10-24 x 1/2 Hex Washer Hd., Type TT	1
28	NS-044-09	Nut Assy. 10-24 Hex KEPS.....	1
29	00-428116-000G1	Frame – Front Assy. (1G4).....	1
30	00-428116-000G2	Frame – Front Assy. (1G6 & 1G8).....	1
31	00-417700-00002	Nameplate (6 In.)	1
32	NS-047-79	Lock Nut 3/16	2
33	00-418379-000G1	Heat Shield (1G4).....	1
34	00-418324-000G1	Heat Shield (1G6 & 1G8).....	1
35	00-419648-00001	Body – LH Side (SST) (1G4 & 1G6).....	1
36	00-420596-00003	Body – LH Side (SST) (1G8)	1
37	00-419379-00001	Probe – Thermistor	1
38	00-419592-00001	Clip – Thermistor Probe	1
39	00-427883-00002	Screen – Basket Support (1G4).....	1
40	00-427883-00003	Screen – Basket Support (1G6).....	1
41	00-427883-00004	Screen – Basket Support (1G8).....	1
42	SD-037-49	Self-Tapping Screw 8-18 x 1/2 Slotted Hex Washer Hd., Type AB.....	AR
	00-421756-00001	Brush – Fryer Cleaning.....	1
	00-421490-000G1	Scoop.....	1



BODY UNIT (BATTERY)

BODY UNIT (BATTERY)

ILLUS.	PART NO.	NAME OF PART	AMT.
	PL-59252		
1	00-417056-00002	Hanger – Basket (2G4, 3G4, 4G4, & 2XG4).....	2
2	00-418321-00002	Hanger – Basket (2G6, 2G8, 3G6, 3G8, 4G6, 4G8, 2XG6, & 2XG8).....	2
3	00-499223-00001	Basket – Twin (2G4, 3G4, 4G4, & 2XG4).....	AR
4	00-499223-00002	Basket – Twin (2G6, 3G6, 4G6, & 2XG6).....	AR
5	00-499223-00003	Basket – Twin (2G8, 3G8, 4G8, & 2XG8).....	AR
6	00-418201-000G2	Flue Assy. (4 Tube) (2G4, 3G4, 4G4, & 2XG4).....	1
7	00-418205-000G2	Flue Assy. (5 Tube) (2G6, 2G8, 3G6, 3G8, 4G6, 2XG6, 2XG8, & 4G8).....	1
8	00-416959-00002	Flue – Wrap (SST) (2G4, 3G4, 4G4, & 2XG4).....	2
9	00-418336-00002	Flue – Wrap (SST) (2G6, 2G8, 3G6, 3G8, 4G6, 4G8, 2XG6, & 2XG8).....	2
10	SD-032-07	Self-Tapping Screw 10-24 x 1/2 Hex Washer Hd., Type TT.....	2
11	SD-032-07	Self-Tapping Screw 10-24 x 1/2 Hex Washer Hd., Type TT.....	2
12	00-428699-00002	Brace – Rear (2TG4, 3G4, 4G4, & 2XG4).....	1
13	00-428749-00002	Brace – Rear (2G6, 2G8, 3G6, 3G8, 4G6, 4G8, 2XG6, & 2XG8).....	1
14	00-428688-00001	Bracket – Power Supply Mounting.....	1
15	00-419777-00004	Body – RH Side (SST) (2G8, 3G8, & 2XG8).....	1
16	00-417711-00002	Body – RH Side (SST) (2G4, 2G6, 3G4, 3G6, 2XG4, & 2XG6).....	1
17	00-419648-00002	Body – RH Side (SST) (4G4 & 2XG4).....	1
18	00-420596-00004	Body – RH Side (SST) (4G8).....	1
19	00-418907-00001	Caster – Swivel Assy. (Adjustable).....	2
20	00-418907-00003	Caster.....	2
21	00-497428-00001	Body – Bottom (3G4 & 4G4).....	1
22	00-497428-00003	Body – Bottom (3G6 & 4G6).....	1
23	00-497428-00004	Body – Bottom (3G8 & 2XG4).....	1
24	00-420769-00001	Bumper – Rubber.....	1
25	00-499487-000G8	Door Assy. (RH) (2G6, 2G8, 3G6, 3G8, 4G6, 4G8, 2XG6, & 2XG8).....	1
26	00-499487-000G4	Door Assy. (RH) (2G4, 3G4, 4G4, & 2XG4).....	1
27	00-419653	Handle.....	2
28	RS-033-04	Rivet – Pop (0.187).....	4
29	00-499487-000G7	Door Assy. (LH) (2G6, 2G8, 3G6, 3G8, 4G6, 4G8, 2XG6, & 2XG8).....	1
30	00-499487-000G3	Door Assy. (LH) (2G4, 3G4, 4G4, & 2XG4).....	1
31	00-428023-000G2	Hinge Assy. (LH Door).....	2
32	SD-032-07	Self-Tapping Screw 10-24 x 1/2 Hex Washer Hd., Type TT.....	4
33	NS-044-09	Nut Assy. 10-24 Hex KEPS.....	4
34	00-428116-000G3	Frame – Front Assy. (2G4 & 2XG4) (2 Unit).....	1
35	00-428116-000G4	Frame – Front Assy. (2G6, 2G8, & 2XG8) (2 Unit).....	1
36	00-428116-000G5	Frame – Front Assy. (3G4) (3 Unit).....	1
37	00-428116-000G6	Frame – Front Assy. (3G6 & 3G8) (3 Unit).....	1
38	00-428116-000G7	Frame – Front Assy. (4G4) (4 Unit).....	1
39	00-428116-00G12	Frame – Front Assy. (4G6 & 4G8) (4 Unit).....	1
40	00-426806-000G5	Frame – Front Assy. (2XG8) (2 Unit).....	1
41	00-417700-00002	Nameplate (6 In.).....	1
42	00-418379-000G1	Heat Shield (2G4, 3G4, 4G4, & 2XG4).....	1
43	00-418324-000G1	Heat Shield (2G6, 2G8, 3G6, 3G8, 4G6, 4G8, 2XG6, & 2XG8).....	1
44	00-418322-00001	Heat Shield (2XG6 & 2XG8).....	1
45	00-428548-00002	Heat Shield (5 Tube) (2XG8).....	1
46	00-417037-00001	Heat Shield (2XG4).....	1
47	00-419777-00003	Body – LH Side (SST) (2G8 & 2XG8).....	1
48	00-417711-00001	Body – LH Side (SST) (2G4, 2G6, 2XG4, & 2XG6).....	1
49	00-420596-00003	Body – LH Side (SST) (NFR) (3G8 & 4G8).....	1
50	00-419648-00001	Body – LH Side (SST) (3G4, 3G6, 4G4, & 4G6).....	1
51	SD-036-03	Self-Tapping Screw 8-18 x 3/8 Hex Washer Hd., Type AB.....	AR
52	00-419379-00001	Probe – Thermistor.....	1
53	00-419592-00001	Clip – Thermistor Probe.....	1
54	00-427883-00002	Rack – Basket Support (2G4, 3G4, 4G4, & 2XG4).....	2
55	00-427883-00003	Rack – Basket Support (2G6, 3G6, 4G6, 2XG6).....	2
56	00-427883-00004	Rack – Basket Support (2G8, 3G8, 4G8, & 2XG8).....	2
57	00-497296-000G1	Magnet Assy.....	2
	00-410863-00006	Channel – Grease (2G8, 3G6, 3G8, 4G6, 4G8, & 2XG8).....	1
	00-410863-00002	Channel – Grease (2G4, 2G6, 3G4, 4G4, 2XG4, & 2XG6).....	1
	00-421756-00001	Brush – Fryer Cleaning.....	1
	00-421490-000G1	Scoop.....	1

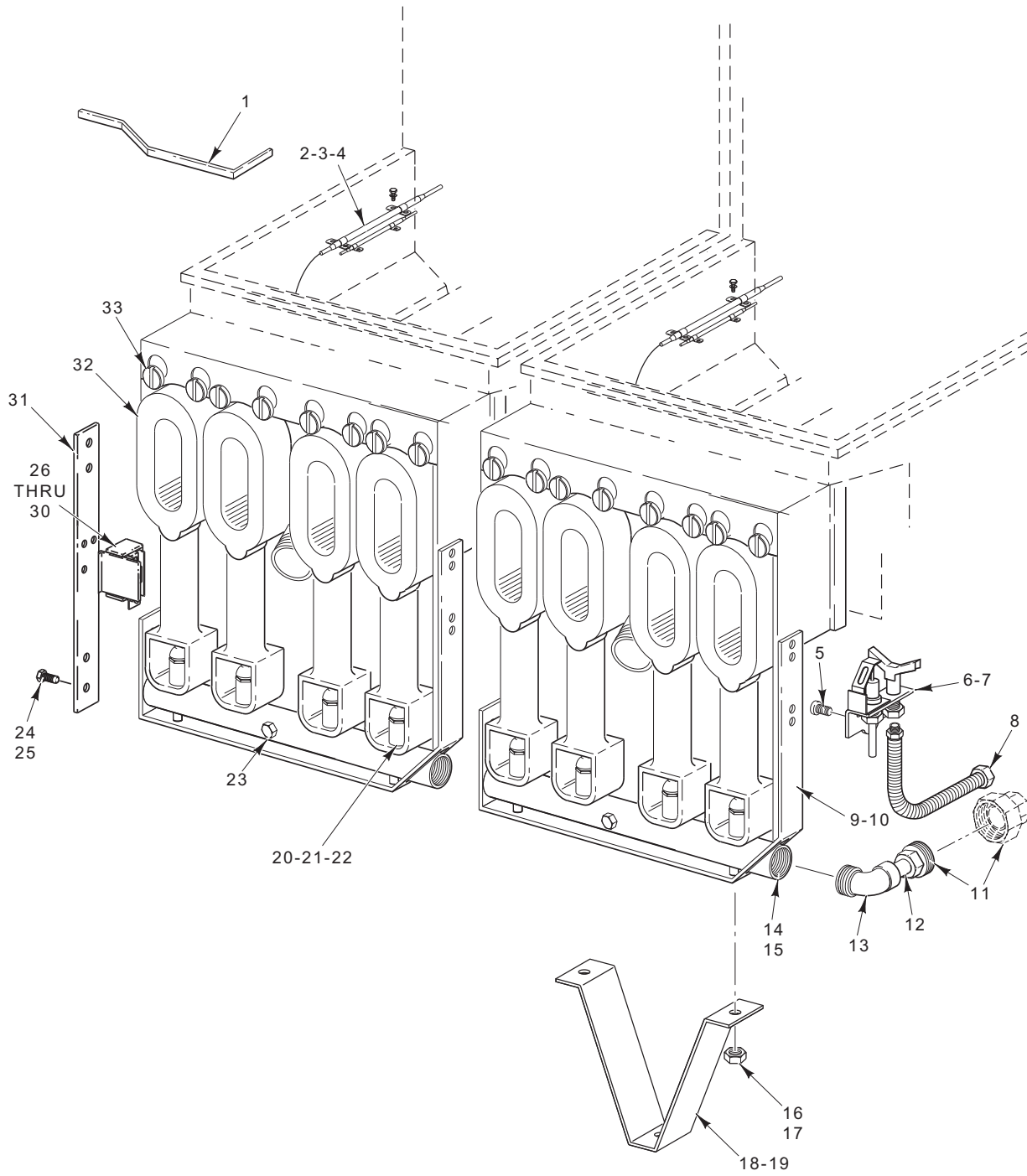


PL-59245

BURNER COMPONENTS (STAND-ALONE)

BURNER COMPONENTS (STAND-ALONE)

ILLUS. PL-59245	PART NO.	NAME OF PART	AMT.
1	00-409300-00005	Rod – Clean-Out.....	1
2	00-417522-00003	Clip – Capillary.....	2
3	SD-035-02	Self-Tapping Screw 8-18 x 3/8 Hex Washer Hd., Type AB.....	4
4	SC-018-32	Mach. Screw 8-32 x 3/8 Pan Hd.....	2
5	00-419316-00001	Pilot (NAT Gas) (Electronic Ignition).....	1
6	00-419316-00002	Pilot (LP Gas) (Electronic Ignition).....	1
7	00-426505-00023	Tube – Flex 1/4 O.D. x 23 In. Lg.	1
8	00-418211-00001	Hanger – Manifold (1G4).....	1
9	00-418317-00001	Hanger – Manifold (1G6 & 1G8).....	1
10	00-418212-00001	Manifold – Burner (1G4).....	1
11	00-418318-00001	Manifold – Burner (1G6 & 1G8).....	1
12	FP-086-74	Elbow – Pipe 1/2 x 90 Deg.	1
13	FP-059-01	Pipe 1/2 x 1 3/4 TBE.....	1
14	FP-022-11	Union – Pipe.....	1
15	NS-047-72	Lock Nut 1/4-20.....	2
16	00-420561-00001	Bracket – Support (1G4).....	1
17	00-420562-00001	Bracket – Support (1G6 & 1G8).....	1
18	FP-085-53	Pipe Plug 1/8.....	1
19	00-010901-00039	Orifice – Spud (NAT Gas) (Sea Level – 2000 Ft.).....	AR
20	00-010901-00052	Orifice – Spud (LP Gas) (Sea Level – 3499 Ft.).....	AR
21	00-410695-00001	Extension – Orifice.....	AR
22	SD-037-70	Self-Tapping Screw 1/4-20 x 1/2 Hex Washer Hd., Type TT.....	AR
23	NS-046-52	Nut 1/4-20 Hex.....	AR
24	00-419548	Bracket – Hi-Limit.....	1
25	SD-037-70	Self-Tapping Screw 1/4-20 x 1/2 Hex Washer Hd., Type AB.....	4
26	NS-046-52	Nut 1/4-20 Hex.....	4
27	SD-036-80	Self-Tapping Screw 8-32 x 3/8 Hex Washer Hd., Type TT.....	2
28	00-410840-00002	Box – Control Hi-Limit With Stuffing.....	1
29	00-417714-00001	Extension – Hanger.....	1
30	00-410681-00001	Burner.....	AR
31	00-428035-00001	Bolt – Shoulder.....	AR
	00-427953-00001	Bracket – Tank To Pilot.....	1
	00-427952-00001	Bracket – Pilot Mounting.....	1
	SC-027-55	Mach. Screw 10-32 x 1/4 Slotted Rd. Hd. (Brass).....	2

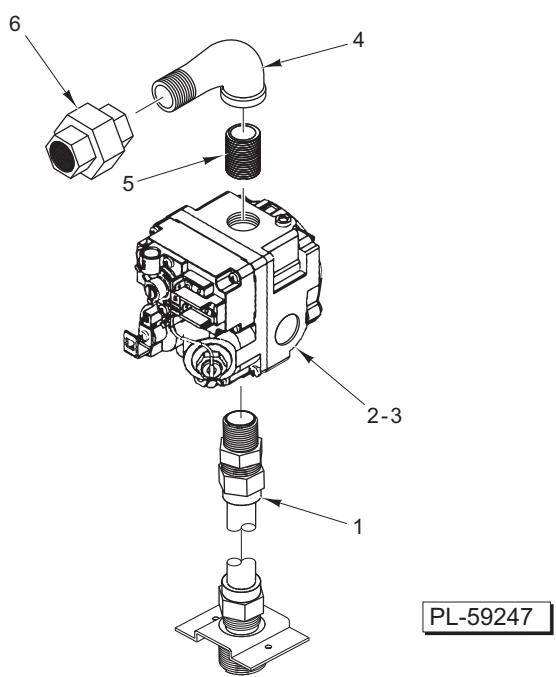


PL-59246

BURNER COMPONENTS (BATTERY)

BURNER COMPONENTS (BATTERY)

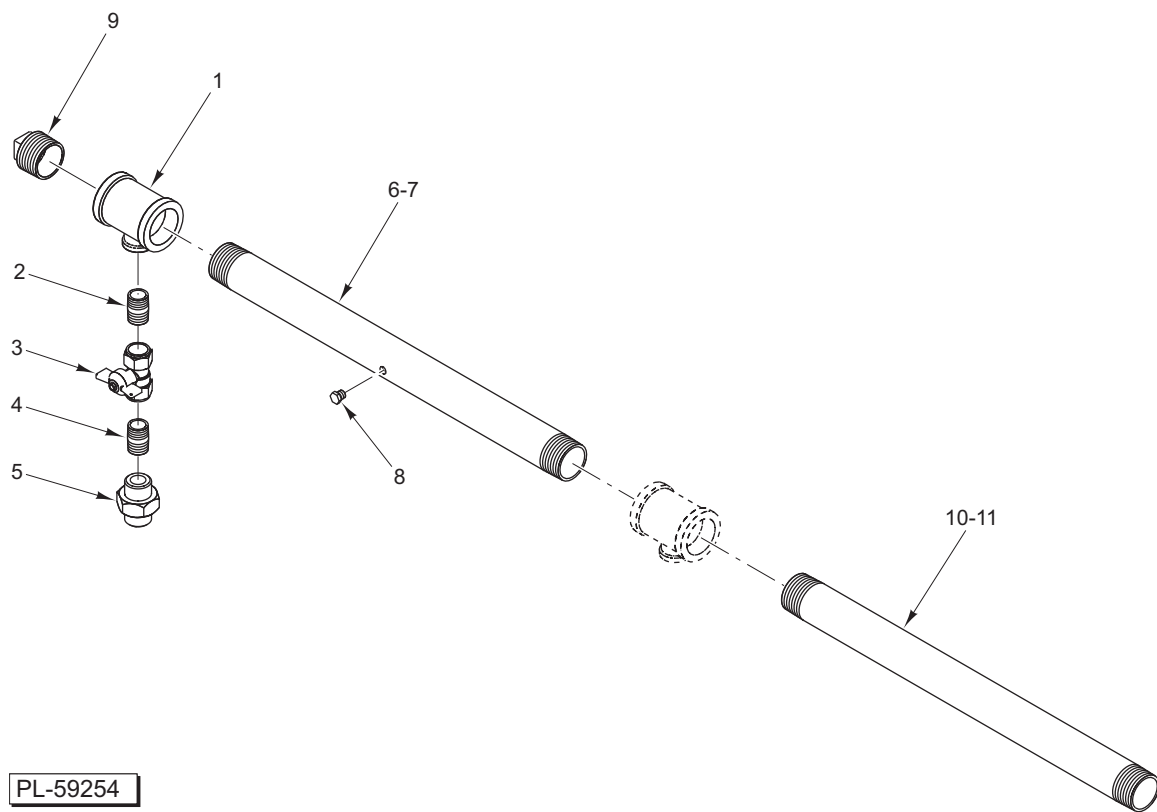
ILLUS. PL-59246	PART NO.	NAME OF PART	AMT.
1	00-409300-00005	Rod – Clean-Out.....	1
2	00-402558-00005	Clamp	2
3	00-417522-00003	Clip – Capillary.....	2
4	SD-035-02	Self-Tapping Screw 8-18 x 3/8 Hex Washer Hd., Type AB.....	4
5	SC-018-32	Mach. Screw 8-32 x 3/8 Pan Hd.....	2
6	00-419316-00001	Pilot (NAT Gas) (Electronic Ignition).....	1
7	00-419316-00002	Pilot (LP Gas) (Electronic Ignition).....	1
8	00-426505-00023	Tube – Flex 1/4 O.D. x 23 In. Lg.	1
9	00-418211-00001	Hanger – Manifold (2G4, 3G4, 4G4, & 2XG4).....	1
10	00-418317-00001	Hanger – Manifold (5 Tube) (2G6, 2G8, 3G6, 3G8, 4G6, 4G8, 2XG6, & 2XG8).....	1
11	FP-022-11	Union – Pipe	AR
12	FP-059-01	Pipe 1/2 x 1 3/4 TBE	1
13	FP-086-74	Elbow – Pipe 1/2 x 90 Deg.	1
14	00-418212-00001	Manifold – Burner (2G4, 3G4, 4G4, & 2XG4).....	1
15	00-418318-00001	Manifold – Burner (2G6, 2G8, 3G6, 3G8, 4G6, 4G8, 2XG6, & 2XG8).....	1
16	NS-047-72	Lock Nut 1/4-20	2
17	NS-046-52	Nut Assy. 1/4-20 Hex.....	2
18	00-420561-00001	Bracket – Support (3G4 & 4G4).....	1
19	00-420562-00001	Bracket – Support (3G6, 3G8, 4G6, & 4G8).....	1
20	00-010901-00039	Orifice – Spud (NAT Gas) (Sea Level – 2000 Ft.).....	AR
21	00-010901-00052	Orifice – Spud (LP Gas) (Sea Level – 3499 Ft.).....	AR
22	00-410695-00001	Extension – Orifice.....	AR
23	FP-085-53	Plug – Pipe 1/8	1
24	SD-037-70	Self-Tapping Screw 1/4-20 x 1/2 Hex Washer Hd., Type TT.....	AR
25	NS-046-52	Nut 1/4-20 Hex	AR
26	00-419548	Bracket – Hi-Limit	1
27	SD-037-70	Self-Tapping Screw 1/4-20 x 1/2 Hex Washer Hd., Type AB.....	4
28	NS-046-52	Nut 1/4-20 Hex	4
29	SD-036-80	Self-Tapping Screw 8-32 x 3/8 Hex Washer Hd., Type TT.....	2
30	00-410840-00002	Box – Control Hi-Limit With Stuffing	1
31	00-417714-00001	Extension – Hanger	1
32	00-410681-00001	Burner	AR
33	00-428035-00001	Bolt – Shoulder Burner	AR
	00-427953-00001	Bracket – Tank To Pilot	1
	00-427952-00001	Bracket – Pilot Mounting.....	1
	SC-027-55	Mach. Screw 10-32 x 1/4 Slotted Rd. Hd. (Brass).....	2



GAS VALVE

GAS VALVE

ILLUS.	PART NO.	NAME OF PART	AMT.
PL-59247			
1	00-427882-000G3	Gas Inlet	1
2	00-410841-00028	Valve – Combination (NAT) (Electronic Ignition).....	1
3	00-410841-00029	Valve – Combination (LP) (Electronic Ignition)	1
4	FP-013-17	Elbow – Pipe 1/2 x 90 Deg.	1
5	FP-035-95	Pipe 1/2 x 2 TBE.....	1
6	FP-022-11	Union – Pipe	1

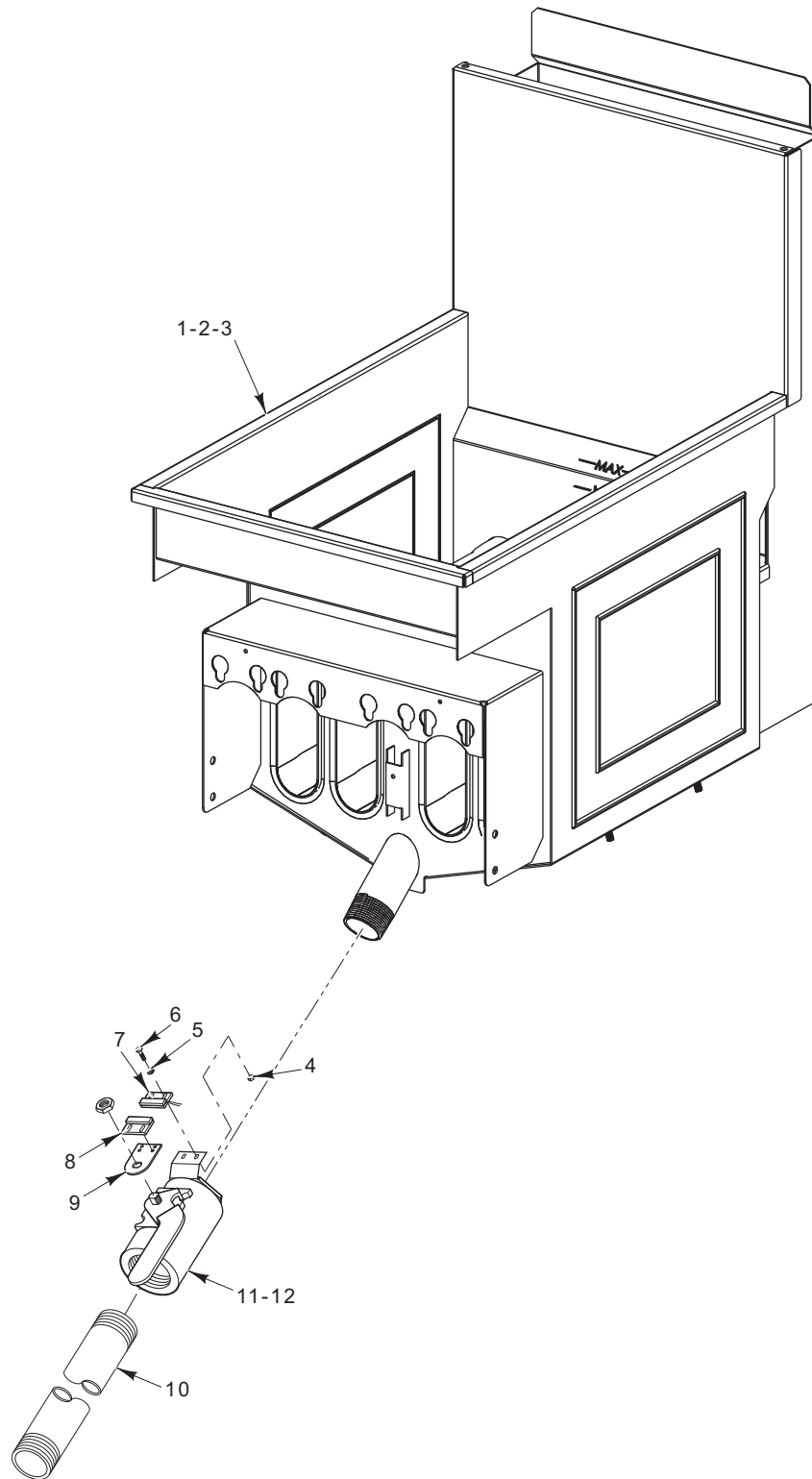


PL-59254

GAS INLET MANIFOLD

GAS INLET MANIFOLD

ILLUS.	PART NO.	NAME OF PART	AMT.
PL-59254			
1	FP-090-80	Tee 1 ¹ / ₄ x 1 ¹ / ₄ x 1 ¹ / ₂	AR
2	FP-035-91	Pipe 1 ¹ / ₂ x 1 ¹ / ₈ TBE.....	AR
3	00-428472-00001	Valve – Gas (1/2 In.).....	AR
4	FP-035-91	Pipe 1 ¹ / ₂ x 1 ¹ / ₈ TBE.....	AR
5	FP-022-11	Union – Pipe	AR
6	00-957744-00001	Pipe – Rear Gas (With Tap) (2G4, 3G4, & 4G4).....	AR
7	00-957744-00002	Pipe – Rear Gas (With Tap) (3G6 & 3G8).....	AR
8	FP-085-53	Plug – Pipe 1/8 Hex Hd. (SST).....	AR
9	FP-028-26	Plug – Pipe 1/4 Square Hd.	AR
10	00-957744-00004	Pipe – Rear Gas (Without Tap) (3G4 & 4G4).....	AR
11	00-957744-00003	Pipe – Rear Gas (Without Tap) (3G6 & 3G8).....	AR
	00-419878-000G1	Manifold – Gas Inlet (2G4) (Incls. Items 1 thru 6, 8, & 9)	1
	00-419878-000G2	Manifold – Gas Inlet (3G4) (Incls. Items 1 thru 6, 8, 9, & 10)	1
	00-419878-000G7	Manifold – Gas Inlet (4G4) (Incls. Items 1 thru 6, 8, 9, & 10)	1
	00-419876-000G1	Manifold – Gas Inlet (2G6, 2G8, 4G6, & 4G8) (Incls. Items 1 thru 5, 7, 8, & 9).....	1
	00-419876-000G2	Manifold – Gas Inlet (3G6 & 3G8) (Incls. Items 1 thru 5, 7, 8, 9, & 11)	1

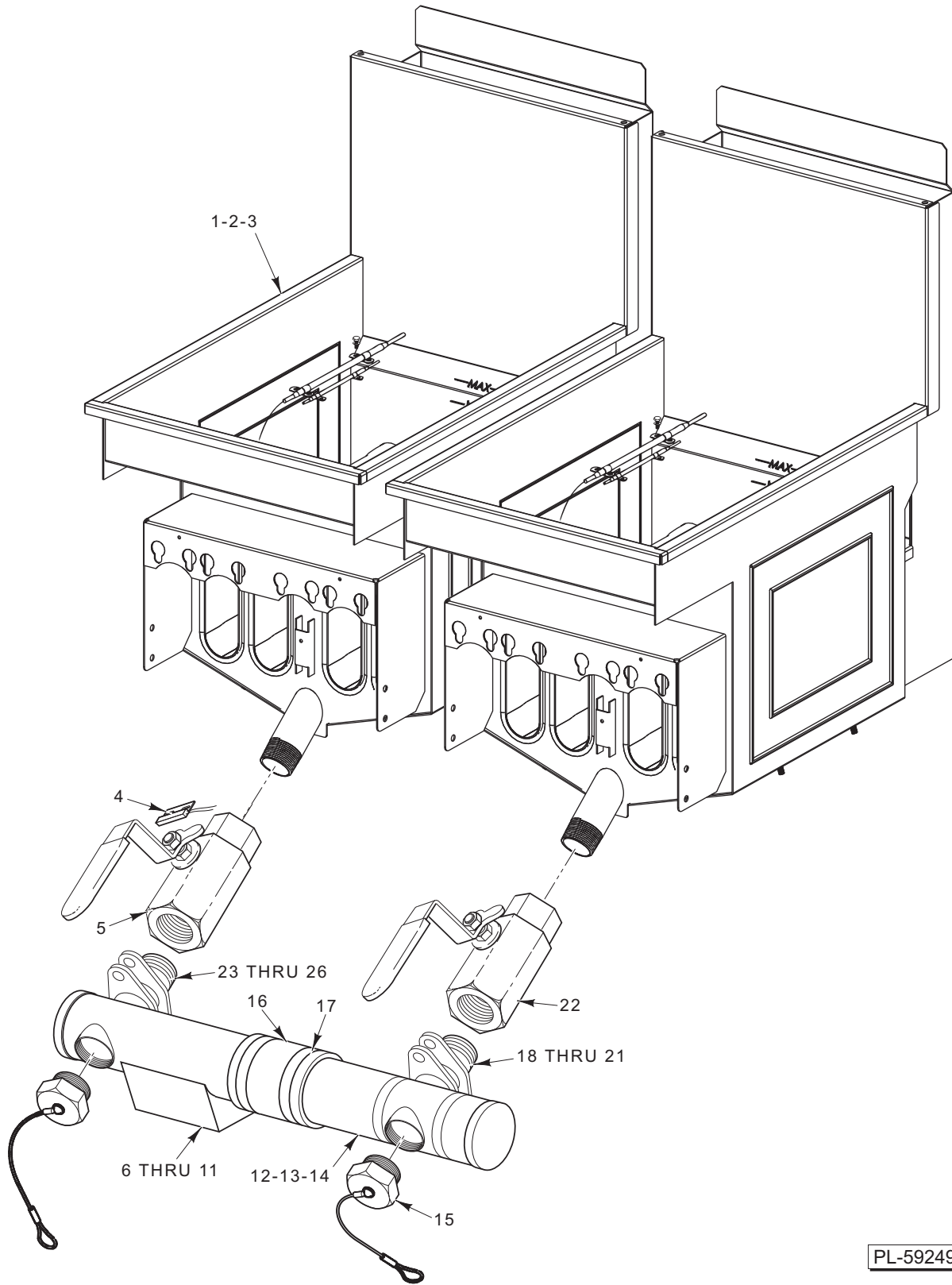


PL-59248

TANK AND DRAIN (STAND-ALONE)

TANK AND DRAIN (STAND-ALONE)

ILLUS.	PART NO.	NAME OF PART	AMT.
PL-59248			
1	00-499701-000G2	Tank Assy. (1G4) (SST)	1
2	00-499702-000G2	Tank Assy. (1G6) (SST)	1
3	00-499703-000G2	Tank Assy. (1G8) (SST)	1
4	NS-044-01	Nut Assy. 4-40 KEPS	4
5	WL-003-03	Lockwasher #4 Helical	4
6	SC-018-55	Mach. Screw 4-40 x 1/2 Phil. Pan Hd.....	4
7	00-426805-000G1	Switch Assy.	1
8	00-426801-00002	Switch – Mounted	1
9	00-426798-00001	Plate – Switch	1
10	FP-085-74	Pipe 1 1/4 x 6 3/4	1
11	00-426803-000G8	Valve – Drain Assy. (1 1/4) (LH) (With Magnet)	1
12	00-426803-000G9	Valve – Drain Assy. (1 1/4) (RH) (With Magnet).....	1
	FP-028-14	Plug – Pipe 1/2	1
	00-499486-00001	Clip – Drain Pipe	1

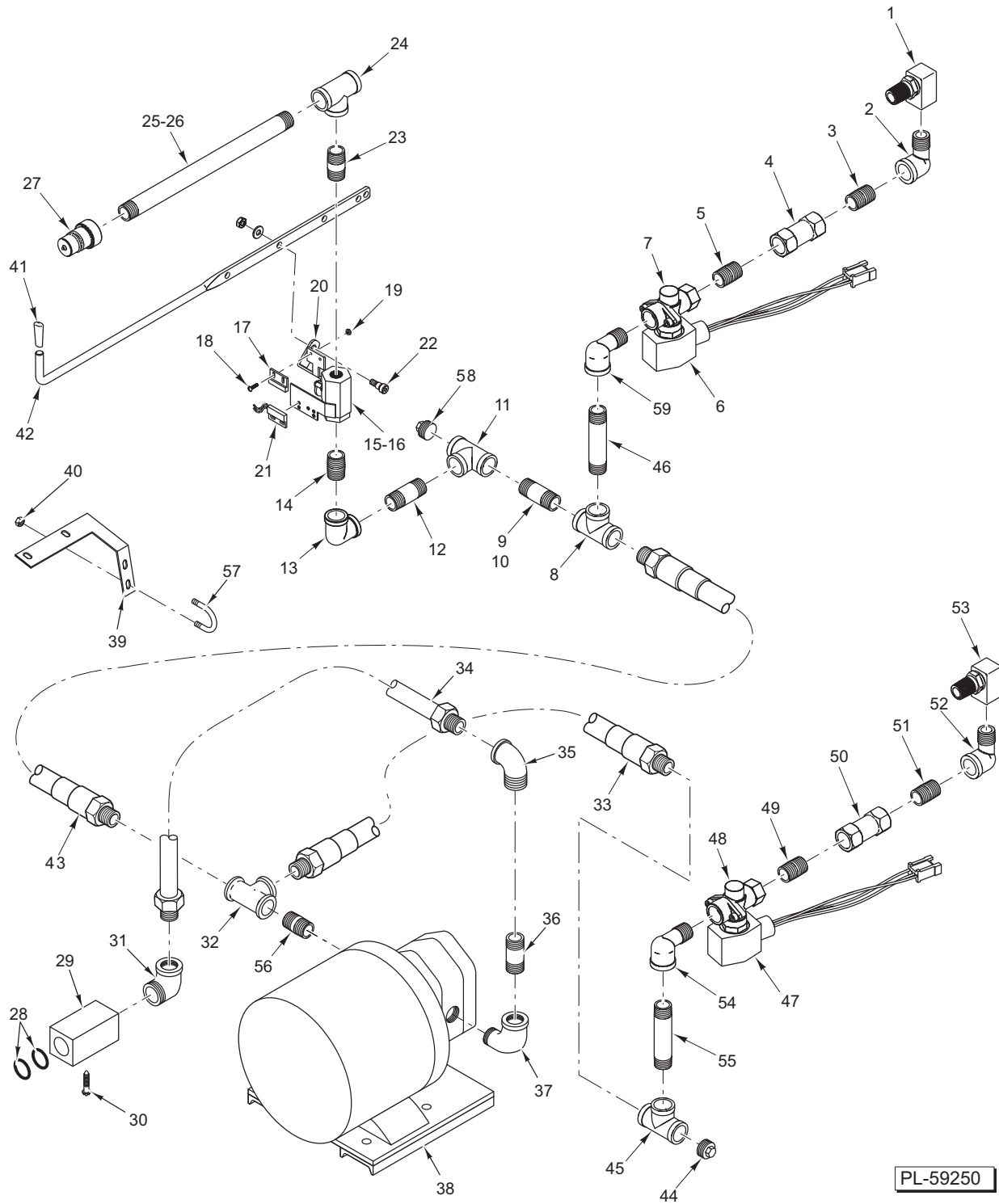


PL-59249

TANK AND DRAIN (BATTERY)

TANK AND DRAIN (BATTERY)

ILLUS. PL-59249	PART NO.	NAME OF PART	AMT.
1	00-499701-000G2	Tank Assy. (SST) (2G4, 3G4, 4G4, & 2XG4)	1
2	00-499702-000G2	Tank Assy. (SST) (2G6, 3G6, 4G6, & 2XG6)	1
3	00-499703-000G2	Tank – Fry (2G6, 3G8, 4G8, & 2XG8)	1
4	00-426805-000G1	Switch Assy. (Drain Valve Interlock)	1
5	00-426803-000G8	Valve – Drain Assy. (LH) (1 ¹ / ₄) (With Magnet) (2G4, 2G6, 2G8, 3G4, 3G6, 3G8, 4G4, 4G6, & 4G8)	1
6	00-497567-000G1	Pipe – Drain (LH) With Spout (2G4)	1
7	00-497567-000G2	Pipe – Drain (LH) With Spout (2G6 & 2G8)	1
8	00-497569-000G1	Pipe – Drain (Center) With Spout (3G4 & 4G4)	1
9	00-497569-000G2	Pipe – Drain With Spout (3G6, 3G8, 4G6, & 4G8)	1
10	00-497568-000G1	Pipe – Drain (Center) (4G4)	1
11	00-497568-000G2	Pipe – Drain (Center) (4G6 & 4G8)	1
12	00-497566-000G1	Pipe – Drain (End) (45 Lbs.) (2G4, 3G4, & 4G4)	1
13	00-497566-000G3	Pipe – Drain (RH) (65/85 Lbs.) (2G6, 2G8, 3G6, 3G8, 4G6, & 4G8)	1
14	00-497566-000G2	Pipe – End Section (LH) (5 Tube) (3G6, 3G8, 4G6, & 4G8)	1
15	00-497571-000G1	Plug – Drain	2
16	00-419351-00001	Hose – Connect (2G4, 2G6, 2G8, 3G4, 3G6, 3G8, 4G4, 4G6, & 4G8)	AR
17	00-497409-00001	Clamp – Drain Tube	AR
18	00-420726-00001	Flange – Pipe (1 ¹ / ₄ In.)	1
19	00-420553-00002	Gasket – Silicone	1
20	FP-090-69	Pipe 1 ¹ / ₄ x 1 TBE	1
21	SC-036-13	Cap Screw 1/4-20 x 3/4 Hex Hd.	2
22	00-426803-000G9	Valve – Drain Assy. (RH) (1 ¹ / ₄) (With Magnet)	1
23	00-420553-00002	Gasket – Silicone	1
24	00-420726-00001	Flange – Pipe (1 ¹ / ₄ In.)	1
25	FP-090-69	Pipe 1 ¹ / ₄ x 1 TBE	1
26	SC-036-13	Cap Screw 1/4-20 x 3/4 Hex Hd.	2
	00-497572-000G2	Pipe – Boil Out Bypass (With Hose Fitting)	1

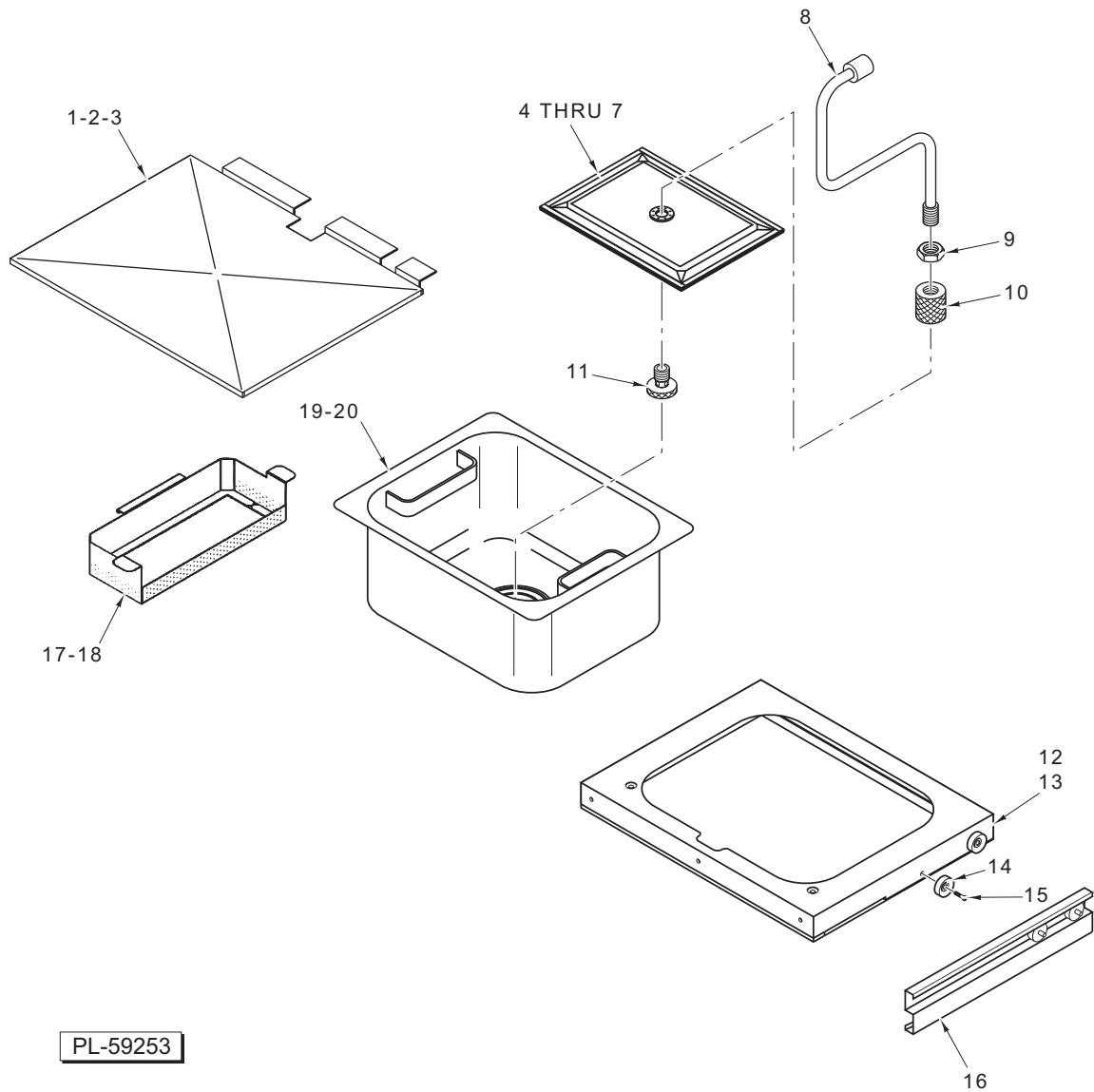


PL-59250

OIL RETURN (BATTERY)

OIL RETURN (BATTERY)

ILLUS.	PART NO.	NAME OF PART	AMT.
PL-59250			
1	00-419251-00001	Fitting – 90 Deg. Swivel.....	1
2	FP-013-17	Elbow – Street 1/2 x 90 Deg.....	1
3	FP-035-91	Pipe 1/2 x 1 1/8 TBE.....	1
4	00-418786-00001	Valve – Check.....	1
5	FP-035-91	Pipe 1/2 x 1 1/8 TBE.....	1
6	00-428691-00002	Valve Solenoid (120 V.).....	1
7	FP-035-91	Pipe 1/2 x 1 1/8 TBE.....	1
8	FP-019-25	Tee 1/2 x 1/2 x 1/2.....	1
9	FP-035-95	Pipe 1/2 x 2 TBE (2G4, 3G4, 4G4, & 2XG4).....	1
10	FP-059-63	Pipe 1/2 x 6 TBE (2G6, 2G8, 3G6, 3G8, 4G6, 4G8, 2XG6, & 2XG8).....	1
11	FP-019-25	Tee 1/2 x 1/2 x 1/2.....	1
12	FP-035-95	Pipe 1/2 x 2 TBE.....	1
13	FP-077-68	Elbow 1/2 x 90 Deg.....	1
14	FP-035-91	Pipe 1/2 x 1 1/8 TBE.....	1
15	00-428694-000G1	Valve – Discard (LH) (Incls. Items 16 thru 21).....	1
16	00-428753-00001	Valve – Oil Discharge.....	1
17	00-426801-00002	Switch – Valve Mounted.....	1
18	SC-018-55	Mach. Screw 4-40 x 1/2 Phil. Pan Hd.....	4
19	NS-044-01	Nut Assy. 4-40 Hex KEPS.....	4
20	00-428697-00001	Actuator – Oil Discharge.....	1
21	00-426805-000G2	Switch Assy.....	1
22	SC-116-19	Shoulder Screw 1/4-20 x 3/8 Hex. Socket Hd.....	1
23	FP-035-94	Pipe 1/2 x 1 1/2 TBE.....	1
24	FP-019-25	Tee 1/2 x 1/2 x 1/2.....	1
25	FP-036-91	Pipe 1/2 x 9 1/2 TBE (2G4, 2G6, 3G4, 3G6, 4G4, 4G6, 2XG4, & 2XG6).....	1
26	FP-090-81	Pipe 1/2 x 13 1/2 TBE (2G8, 3G8, 4G8, & 2XG8).....	1
27	00-418781-00001	Disconnect – Male.....	1
28	00-426567-00002	O-Ring (Viton).....	2
29	00-426567-00003	Receptacle – Oil Suction.....	1
30	SC-114-01	Mach. Screw 10-32 x 3/8 Hex Washer Hd.....	1
31	FP-013-17	Elbow – Street 1/2 x 90 Deg.....	1
32	FP-019-25	Tee 1/2 x 1/2 x 1/2.....	1
33	00-426602-00001	Tube – Flex (12 In.) (2G4, 3G4, 4G4, 2XG6, & 2XG8).....	1
34	00-426602-00004	Tube – Suction Flex (19 In.).....	1
35	FP-077-68	Elbow 1/2 x 90 Deg.....	1
36	FP-035-95	Pipe 1/2 x 2 TBE.....	1
37	FP-077-68	Elbow 1/2 x 90 Deg.....	1
38	00-417792-00005	Pump Motor Assy. (8 G.P.M.) (115 V., 60 HZ.).....	1
39	00-497087-00001	Bracket – Quick Disconnect (2XG4, 2XG6, & 2XG8).....	1
40	NS-046-52	Nut Assy. 1/4-20 Hex.....	2
41	00-416435-00002	Grip (Yellow).....	1
42	00-428693-00004	Rod – Pull Kleenscreen.....	1
43	00-426602-00001	Tube – Flex (12 In.) (2G4, 3G4, 4G4, 2XG6, & 2XG8).....	1
44	FP-028-14	Pipe – Plug 1/2 Sq. Hd.....	1
45	FP-019-25	Tee 1/2 x 1/2 x 1/2.....	1
46	-	Pipe.....	1
47	00-428691-00002	Valve Solenoid (120 V.).....	1
48	FP-035-91	Pipe 1/2 x 1 1/8 TBE.....	1
49	FP-035-91	Pipe 1/2 x 1 1/8 TBE.....	1
50	00-418786-00001	Valve – Check.....	1
51	FP-035-91	Pipe 1/2 x 1 1/8 TBE.....	1
52	FP-013-17	Elbow – Street 1/2 x 90 Deg.....	1
53	00-419251-00001	Fitting – 90 Deg. Swivel.....	1
54	-	Elbow.....	1
55	-	Pipe.....	1
56	FP-035-91	Pipe 1/2 x 1 1/8 TBE.....	1
57	00-521820	U-Bolt.....	1
58	FP-028-14	Plug – Pipe 1/2 Sq. Hd.....	1
59	-	Elbow.....	1
	00-422281-00007	Hose – Discard (6 Ft.).....	1



PL-59253

FILTER ASSEMBLY

FILTER ASSEMBLY

ILLUS. PL-59253	PART NO.	NAME OF PART	AMT.
1	00-428677-00001	Splash Guard (G4 Series)	1
2	00-428678-00001	Splash Guard (G6 Series)	1
3	00-428911-00001	Splash Guard (G8 Series)	1
4	00-499087-00001	Screen – Fine Mesh Filter.....	1
5	00-499085-00001	Insert – Filter Screen	1
6	00-499086-00001	Filter – Kleenscreen Plus.....	1
7	00-499089-00001	Clip – Filter.....	1
8	00-499081-000G3	Tube – Suction.....	1
9	NS-017-49	Jam Nut	1
10	00-499083-00002	Coupling.....	1
11	00-499084-00002	Knob	1
12	00-428180-000G4	Drawer Assy. (G4 Series) (Incls. Item 16).....	1
13	00-428180-000G5	Drawer Assy. (G6 & G8 Series) (Incls. Items 14, 15, & 16)	1
14	00-426600-00002	Bearing – Roller.....	2
15	00-426600-00003	Screw 1/4-20	2
16	00-426600-000G1	Roller Guide Assy.....	1
17	00-426606-000G4	Basket – Scrap (G4 Series).....	1
18	00-426606-000G6	Basket – Scrap (G6 & G8 Series).....	1
19	00-497374-000G1	Vessel Assy. (G4 Series).....	1
20	00-497374-000G2	Vessel Assy. (G6 & G8 Series)	1
	00-499486-00001	Clip – Drain Pipe.....	1
	00-413927-00001	Grommet – Rubber.....	1
	00-499085-00002	Insert – Envelope.....	1

RECOMMENDED SPARE PARTS LIST

PART NO.	NAME OF PART	AMT.
00-956926-000G1	Control Assy. – Behind Door.....	1
00-411242-00001	Knob	1
00-427755-000G1	Switch Assy. – Power.....	1
00-411496-00B10	Switch – Rocker S.P.S.T.	1
00-427755-000G2	Switch Assy. (Start).....	1
00-427755-000G1	Switch Assy. – Power (Filter)	1
00-857207-00001	Module – Ignition	1
00-497125-00001	Relay S.P.D.T. (24 VAC) (Battery Units) (Filter).....	1
00-428864-00001	Relay (Battery Units).....	1
00-411500-00012	Transformer (120-24 V., 40 Amp.).....	1
00-419967-00005	Cord – Power Supply (84 In.)	1
00-427882-000G3	Flex Tube – Gas Inlet.....	1
00-410841-00028	Valve – Combination (NAT) (Electronic Ignition).....	1
00-410841-00029	Valve – Combination (LP) (Electronic Ignition)	1
00-428472-00001	Valve – Gas (1/2 In.).....	AR

BODY UNIT (STAND-ALONE)

00-497296-000G1	Magnet Assy.....	1
00-418907-00002	Caster – Adjustable Swivel	1
00-421893-00002	Caster (4 In.) (No Brake)	1
00-419379-00001	Probe – Thermistor	1
00-417522-00003	Clip – Capillary.....	2
00-419316-00001	Pilot (NAT Gas) (Electronic Ignition)	1
00-419316-00002	Pilot (LP Gas) (Electronic Ignition).....	1
00-426505-00023	Tube – Flex 1/4 O.D. x 23 In. Lg.	1
00-010901-00039	Orifice – Spud (NAT Gas) (Sea Level – 2000 Ft.).....	AR
00-010901-00052	Orifice – Spud (LP Gas) (Sea Level – 3499 Ft.)	AR
00-410840-00002	Box – Control Hi-Limit With Stuffing	1
00-410681-00001	Burner	AR
00-426805-000G1	Switch Assy	1
00-426801-00002	Switch – Mounted	1
00-426803-000G8	Valve – Drain Assy. (1/4) (LH) (With Magnet)	1
00-426803-000G9	Valve – Drain Assy. (1/4) (RH) (With Magnet).....	1

BODY UNIT (BATTERY)

00-418907-00001	Caster – Swivel Assy. (Adjustable)	2
00-418907-00003	Caster	2
00-426805-000G1	Switch Assy. (Drain Valve Interlock).....	1
00-426803-000G8	Valve – Drain Assy. (LH) (1/4) (With Magnet) (2G4, 2G6, 2G8, 3G4, 3G6, 3G8, 4G4, 4G6, & 4G8).....	1
00-426803-000G9	Valve – Drain Assy. (RH) (1/4) (With Magnet).....	1
00-420553-00002	Gasket – Silicone.....	1
00-418786-00001	Valve – Check.....	2
00-428691-00002	Valve Solenoid (120 V.).....	2
00-426801-00002	Switch – Valve Mounted.....	1
00-426805-000G2	Switch Assy	1
00-426567-00002	O-Ring (Viton).....	2
00-426602-00001	Tube – Flex (12 In.) (2G4, 3G4, 4G4, 2XG6, & 2XG8).....	1
00-426602-00004	Tube – Suction Flex (19 In.).....	1
00-417792-00005	Pump Motor Assy. (8 G.P.M.) (115 V., 60 Hz.)	1
00-426602-00001	Tube – Flex (12 In.) (2G4, 3G4, 4G4, 2XG6, & 2XG8).....	1

FILTER ASSEMBLY

00-499081-000G3	Tube – Suction.....	1
00-499084-00002	Knob	1
00-426600-00002	Bearing – Roller.....	2
00-413927-00001	Grommet – Rubber	1