

VULCAN

CATALOG OF REPLACEMENT PARTS

RRG SERIES HEAVY DUTY GAS GRIDDLES

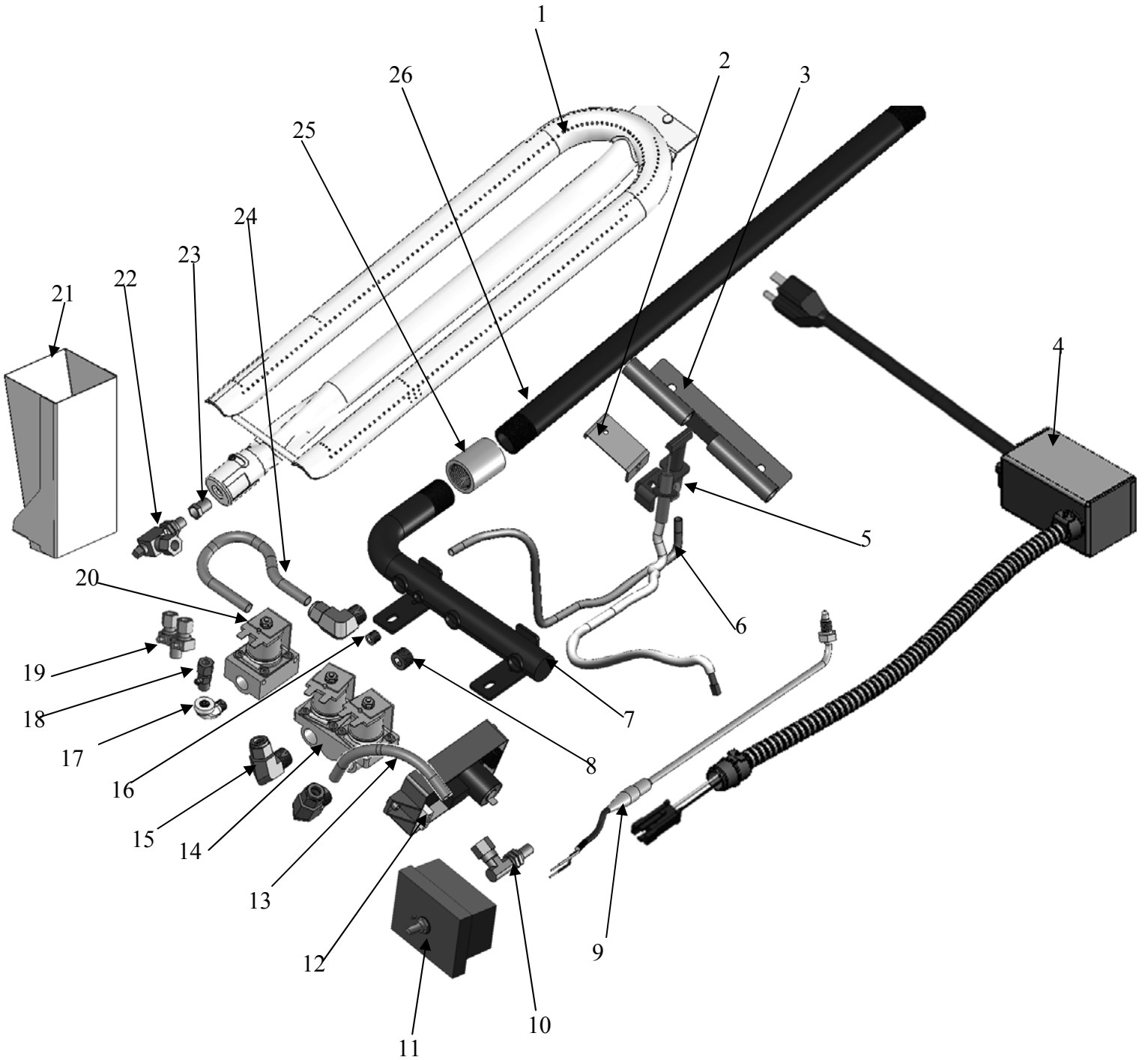
MODEL

| | |
|-------|-----------------|
| 24RRG | ML-135339-00024 |
| 36RRG | ML-135340-00036 |
| 48RRG | ML-135341-00048 |
| 60RRG | ML-135342-00060 |



For additional information on Vulcan-Hart or to locate an authorized parts and service provider in your area, visit our website at www.vulcanequipment.com

INTERNAL COMPONENTS



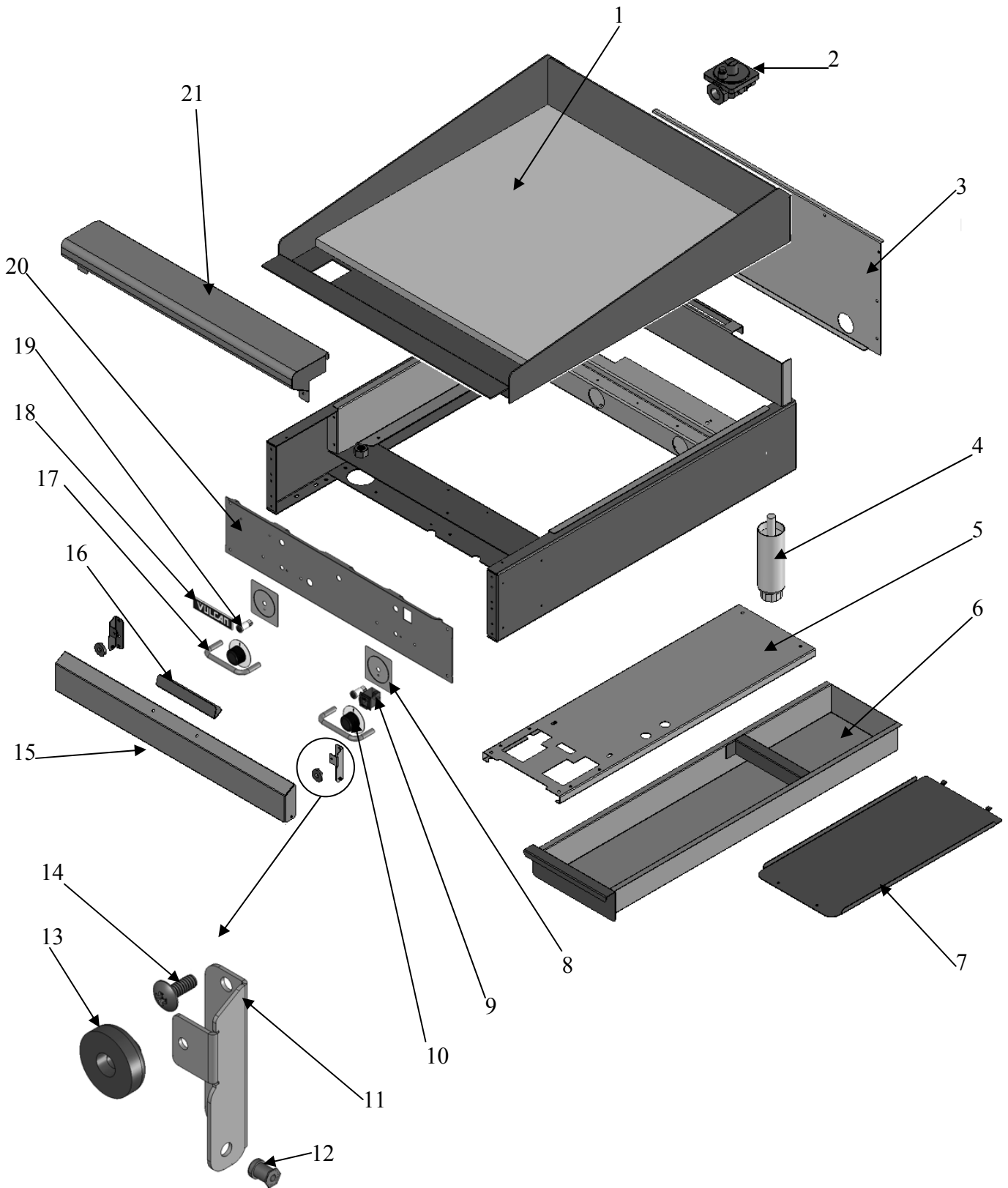
INTERNAL COMPONENTS

| ILLUS. | PART NO. | NAME OF PART | 24" | 36" | 48" | 60" |
|--------|-----------------|--|----------|----------|----------|-----|
| 1 | 00-719737-00005 | GRIDDLE BURNER..... | 2..... | 3..... | 4..... | 5 |
| 2 | 00-790036 | PILOT BRACKET..... | 1..... | 2..... | 2..... | 3 |
| 3 | 00-790035 | FLASH TUBE..... | 1..... | 2..... | 2..... | 3 |
| 4 | 00-758567-000A1 | J-BOX ASSEMBLY (W/ CORD, CONDUIT, LEADS).. | 1..... | 1..... | 1..... | 1 |
| 5 | 00-498621-0000A | RRG PILOT SPARK ASSEMBLY(NAT GAS)..... | 1..... | 2..... | 2..... | 3 |
| | 00-720041 | NATURAL GAS PILOT ORIFICE..... | 1..... | 2..... | 2..... | 3 |
| | 00-712363 | LP GAS PILOT ORIFICE..... | 1..... | 2..... | 2..... | 3 |
| 6 | 00-722229 | ¼" X 18" FLEX TUBE..... | 1..... | 2..... | N/A..... | 2 |
| | 00-722230 | ¼" X 24" FLEX TUBE..... | N/A..... | 1..... | 2..... | 2 |
| 7 | 00-756947-0000A | MANIFOLD PIPE WELD ASSY. 24" AND 36"..... | 1..... | 1..... | N/A..... | N/A |
| | 00-756292-0000A | MANIFOLD PIPE WELD ASSY. 48" AND 60"..... | N/A..... | N/A..... | 1..... | 1 |
| 8 | 00-719365 | 3/8" NPT COUNTERSINK PLUG..... | N/A..... | N/A..... | 1..... | 1 |
| 9 | 00-498432-0000A | THERMOCOUPLE ASSEMBLY..... | 2..... | 3..... | 4..... | 5 |
| 10 | 00-719383 | 3/8" CC ORIFICE ELBOW..... | 1..... | 2..... | 3..... | 4 |
| 11 | 00-498438 | SS TEMP CONTROL..... | 2..... | 3..... | 4..... | 5 |
| | 00-498438-0000A | SS TEMP CONTROL KIT (CONTROL, KNOB, DIAL) | 2..... | 3..... | 4..... | 5 |
| 12 | 00-498443 | IGNITION MODULE..... | 1..... | 2..... | 2..... | 3 |
| 13 | 00-722425 | 3/8" X 8" FLEX TUBE..... | 1..... | 1..... | 2..... | 3 |
| 14 | 00-713656 | DUAL SOLENOID VALVE..... | 1..... | 2..... | 2..... | 3 |
| 15 | 00-719376 | 3/8" CC X 3/8" NPT ELBOW..... | 6..... | 7..... | 10..... | 11 |
| 16 | 00-719363 | 1/8" NPT COUNTERSINK PLUG..... | 1..... | 1..... | 1..... | 1 |
| 17 | 00-711368 | 1/8" STREET ELBOW..... | 1..... | 1..... | 1..... | 1 |
| 18 | 00-719179 | ¼" CC X 1/8" NPT SINGLE PILOT VALVE..... | 1..... | N/A..... | N/A..... | N/A |
| 19 | 00-719194 | ¼" CC X 1/8" NPT DUAL PILOT VALVE..... | N/A..... | 1..... | 1..... | 1 |
| 20 | 00-770085-00002 | SINGLE SOLENOID VALVE..... | 1..... | N/A..... | 1..... | N/A |
| 21 | 00-498460-0000A | RRG GREASE CHUTE ASSEMBLY..... | 1..... | 1..... | 1..... | 2 |
| 22 | 00-719385 | 3/8" CC ORIFICE ELBOW WITH PLUG..... | 1..... | 1..... | 1..... | 1 |
| 23 | 00-719951-00041 | BURNER ORIFICE (NATURAL GAS)..... | 2..... | 3..... | 4..... | 5 |
| | 00-719951-00053 | BURNER ORIFICE (L.P. GAS)..... | 2..... | 3..... | 4..... | 5 |
| 24 | 00-722220 | 3/8" X 6" FLEX TUBE..... | 4..... | 4..... | 6..... | 5 |
| | 00-722425 | 3/8" X 8" FLEX TUBE..... | N/A..... | 1..... | 1..... | N/A |
| | 00-722221 | 3/8" X 12" FLEX TUBE..... | 1..... | 2..... | 2..... | 1 |
| | 00-498622 | 3/8" X 15.5" FLEX TUBE..... | N/A..... | N/A..... | N/A..... | 1 |
| 25 | 00-719004 | ¾" COUPLING..... | 1..... | 1..... | 1..... | 1 |
| 26 | 00-719990 | NIPPLE, ¾" NPT X 19.75"..... | 1..... | 1..... | 1..... | 1 |

NOT SHOWN

| | | | | | |
|-----------------|------------------------------|----------|----------|----------|-----|
| 00-498474-00024 | 24" WIRING HARNESS..... | 1..... | N/A..... | N/A..... | N/A |
| 00-498474-00036 | 36" WIRING HARNESS..... | N/A..... | 1..... | N/A..... | N/A |
| 00-498474-00048 | 48" WIRING HARNESS..... | N/A..... | N/A..... | 1..... | N/A |
| 00-498474-00060 | 60" WIRING HARNESS..... | N/A..... | N/A..... | N/A..... | 1 |
| 00-719066 | 3/8" X 1/8" NPT BUSHING..... | 1..... | 1..... | 1..... | 1 |
| 00-719566 | ¼" FIBERGLASS SLEEVING..... | 3..... | 5..... | 6..... | 8 |

EXTERNAL COMPONENTS



EXTERNAL COMPONENTS

| ILLUS. | PART NO. | NAME OF PART | 24" | 36" | 48" | 60" |
|--------|-----------------|---|----------|----------|----------|-----|
| 1 | | GRIDDLE PLATE WELD ASSEMBLY (CONTACT 1.....1.....1.....1 FACTORY FOR PART # AND AVAILABILITY)..... | | | | |
| 2 | 00-408279-00025 | REGULATOR (NATURAL GAS)..... | 1..... | 1..... | 1..... | 1 |
| | 00-408279-00021 | REGULATOR (LP GAS)..... | 1..... | 1..... | 1..... | 1 |
| 3 | 00-788824 | 24" BACK PANEL..... | 1..... | N/A..... | N/A..... | N/A |
| | 00-788825 | 36" BACK PANEL..... | N/A..... | 1..... | N/A..... | N/A |
| | 00-788801 | 48" BACK PANEL..... | N/A..... | N/A..... | 1..... | N/A |
| | 00-788826 | 60" BACK PANEL..... | N/A..... | N/A..... | N/A..... | 1 |
| 4 | 00-723532 | 6" GRIDDLE LEG..... | 4..... | 4..... | 4..... | 4 |
| 5 | 00-498426 | RRG CAN GUIDE BRACKET..... | 1..... | 1..... | 1..... | 2 |
| 6 | 00-498082-0000A | GREASE CAN WELD ASSEMBLY..... | 1..... | 1..... | 1..... | 2 |
| 7 | 00-498466 | BOTTOM BURNER DEFLECTOR PANEL..... | 1..... | 2..... | 3..... | 4 |
| 8 | 00-498450 | RRG GRIDDLE DIAL..... | 2..... | 3..... | 4..... | 5 |
| 9 | 00-810280-00001 | POWER SWITCH..... | 1..... | 1..... | 1..... | 1 |
| 10 | 00-498438-00001 | SS CONTROLLER KNOB..... | 2..... | 3..... | 4..... | 5 |
| 11 | 00-498461 | RRG RIGHT HINGE BRACKET..... | 1..... | 1..... | 1..... | 1 |
| | 00-498459 | RRG LEFT HINGE BRACKET..... | 1..... | 1..... | 1..... | 1 |
| 12 | 00-498478 | RRG HINGE STANDOFF..... | 2..... | 2..... | 2..... | 2 |
| 13 | 00-770026 | RRG ROUND MAGNET..... | 2..... | 2..... | 2..... | 2 |
| 14 | 00-730228 | 10-24 X 1/2" SCREW..... | AR..... | AR..... | AR..... | AR |
| 15 | 00-498462-00024 | 24" FRONT COVER..... | 1..... | N/A..... | N/A..... | N/A |
| | 00-498462-00036 | 36" FRONT COVER..... | N/A..... | 1..... | N/A..... | N/A |
| | 00-498462-00048 | 48" FRONT COVER..... | N/A..... | N/A..... | 1..... | N/A |
| | 00-498462-00060 | 60" FRONT COVER..... | N/A..... | N/A..... | N/A..... | 1 |
| 16 | 00-498440 | FRONT COVER HANDLE..... | 1..... | 1..... | 1..... | 1 |
| 17 | 00-498690 | WIRE KNOB GUARD..... | 2..... | 3..... | 4..... | 5 |
| 18 | 00-417700-00003 | VULCAN LOGO..... | 1..... | 1..... | 1..... | 1 |
| 19 | 00-720017 | RED INDICATOR LIGHT..... | 2..... | 3..... | 4..... | 5 |
| 20 | 00-498556-00024 | 24" FRONT PANEL..... | 1..... | N/A..... | N/A..... | N/A |
| | 00-498556-00036 | 36" FRONT PANEL..... | N/A..... | 1..... | N/A..... | N/A |
| | 00-498556-00048 | 48" FRONT PANEL..... | N/A..... | N/A..... | 1..... | N/A |
| | 00-498556-00060 | 60" FRONT PANEL..... | N/A..... | N/A..... | N/A..... | 1 |
| 21 | 00-498058-0024A | 24" BULLNOSE..... | 1..... | N/A..... | N/A..... | N/A |
| | 00-498058-0036A | 36" BULLNOSE..... | N/A..... | 1..... | N/A..... | N/A |
| | 00-498058-0048A | 48" BULLNOSE..... | N/A..... | N/A..... | 1..... | N/A |
| | 00-498058-0060A | 60" BULLNOSE..... | N/A..... | N/A..... | N/A..... | 1 |

RECOMMENDED SPARE PARTS

| PART NO. | NAME OF PART | AMT. |
|-----------------|--|------|
| 00-498432-0000A | THERMOCOUPLE ASSEMBLY..... | 1 |
| 00-408279-00025 | REGULATOR (NATURAL GAS)..... | 1 |
| 00-408279-00021 | REGULATOR (L.P. GAS)..... | 1 |
| 00-498621-0000A | RRG PILOT SPARK ASSEMBLY | 1 |
| 00-810280-00001 | POWER SWITCH..... | 1 |
| 00-498450 | RRG GRIDDLE DIAL..... | 1 |
| 00-498438-00001 | SS CONTROLLER KNOB..... | 1 |
| 00-720017 | RED INDICATOR LIGHT..... | 1 |
| 00-713656 | DUAL SOLENOID VALVE..... | 1 |
| 00-719194 | 1/4" CC X 1/8" NPT DUAL PILOT VALVE..... | 1 |
| 00-719376 | 3/8" CC X 3/8" NPT ELBOW..... | 1 |
| 00-498443 | IGNITION MODULE..... | 1 |
| 00-498438 | SS TEMPERATURE CONTROLLER..... | 1 |
| 00-719951-00041 | BURNER ORIFICE (NATURAL GAS)..... | 1 |
| 00-719951-00053 | BURNER ORIFICE (L.P. GAS)..... | 1 |
| 00-770085-00002 | SINGLE SOLENOID VALVE..... | 1 |
| 00-719179 | 1/4" CC X 1/8" NPT SINGLE PILOT VALVE..... | 1 |
| 00-719951-00041 | BURNER ORIFICE (NATURAL GAS)..... | 1 |
| 00-719951-00053 | BURNER ORIFICE (L.P. GAS)..... | 1 |