



# CATALOG OF REPLACEMENT PARTS

## SIGNATURE SERIES

MODEL		MODEL	MODEL
OVEN STD IGNIT	ML-044905	V424M	V2H36
STD OVEN	ML-044906	V424S	V2H36M
CONVOVEN	ML-044907	V436	V2H36S
VS12T	ML-044912	V436M	V2H36C
VS12F	ML-044913	V436S	V3036
VS18T	ML-044914	V436C	V3036M
VS18F	ML-044915	V636	V3036S
VS24T	ML-044916	V636M	V3036C
VS24F	ML-044917	V636S	V3G36
VS36T	ML-044918	V636C	V3G36M
VS36F	ML-044919	V1G12M	V3G36S
VS12S	ML-044920	V1G12S	V3G36C
VS18S	ML-044921	V1G24M	
VS24S	ML-044922	V1G24S	
VS36S	ML-044923	V212M	
VS12M	ML-044924	V212S	
VS18M	ML-044925	V218M	
VS24M	ML-044926	V218S	
VS36M	ML-044927		
VO236	ML-044970		

**For additional information on Vulcan-Hart or to locate an authorized parts and service provider in your area, visit our website at [www.vulcanhart.com](http://www.vulcanhart.com)**

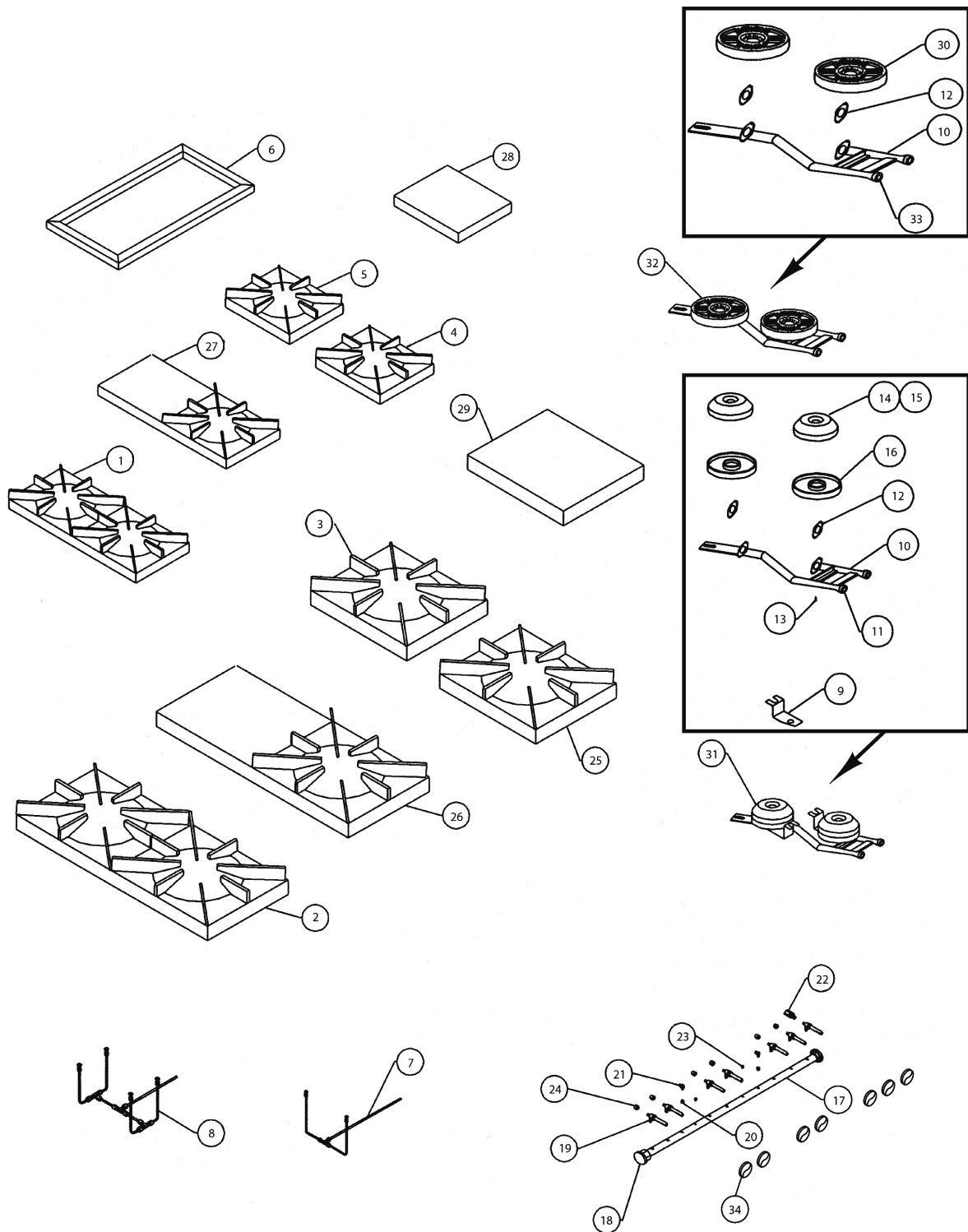


Fig. 1

## Standard Burner Parts

ILLUS. Fig. 1	PART NO.	NAME OF PART	AMT.
1	00-720567	Open Top Grate (12" x 27") .....	1
2	00-720566	Open Top Grate (18" x 27") .....	1
3	00-720675	Rear Open Top 18" .....	1
4	00-765905-0000A	Front Grate Step Up Unit (12 3/8" x 11 7/8") .....	1
5	00-765904-0000A	Rear Grate Step Up Unit (14 3/8" x 11 7/8") .....	1
6	00-762330-0003A	4" Step Up Frame 36" .....	1
7	00-762971-0000A	Pilot Tube Assy (Double Burner) .....	1
8	00-762972-0000A	Pilot Tube Assy (4 Burners) .....	1
9	00-762346	Pilot Bracket .....	1
10	00-719708	Venturi (Cast Iron) .....	1
11	00-719241	Air Shutter .....	1
12	00-714910	Gasket .....	1
13	00-730028	Mounting Screw .....	1
14	00-715200-00001	Burner Cap .....	1
15	00-715200-00002	Burner Cap Slotted .....	1
16	00-715201-00001	Burner Base Plate .....	1
17	00-722326	Manifold Pipe .....	1
18	00-715008	Union 1 1/4" .....	1
19	00-715080	1/4 NPT Top Burner Valve .....	1
20	00-719063	1/4" to 1/8" Reducing Bushing .....	1
21	00-719187	1/8 NPT x 3/16cc Pilot Valve .....	1
22	00-719192	Straight Connector .....	1
23	00-719200	1/8 NPT Iron Pipe Plug .....	1
24	00-719951	Orifice .....	1
25	00-720674	Front Open Top 18" .....	1
26	00-720568	18" Half Hot Top .....	1
27	00-720565	12" Half Hot Top .....	1
28	00-788379-0000A	Rear Half Hot Top 12" .....	1
29	00-720676	Rear Half Hot Top 18" .....	1
30	00-719706	Open Top Burner, Head Only .....	1
31	00-762970-0000A	Burner Assy. ....	1
32	00-762968-0000A	Open Top Burner Assy. ....	1
33	00-719329	Air Shutter .....	1
34	00-426745-00001	Knob Control .....	1

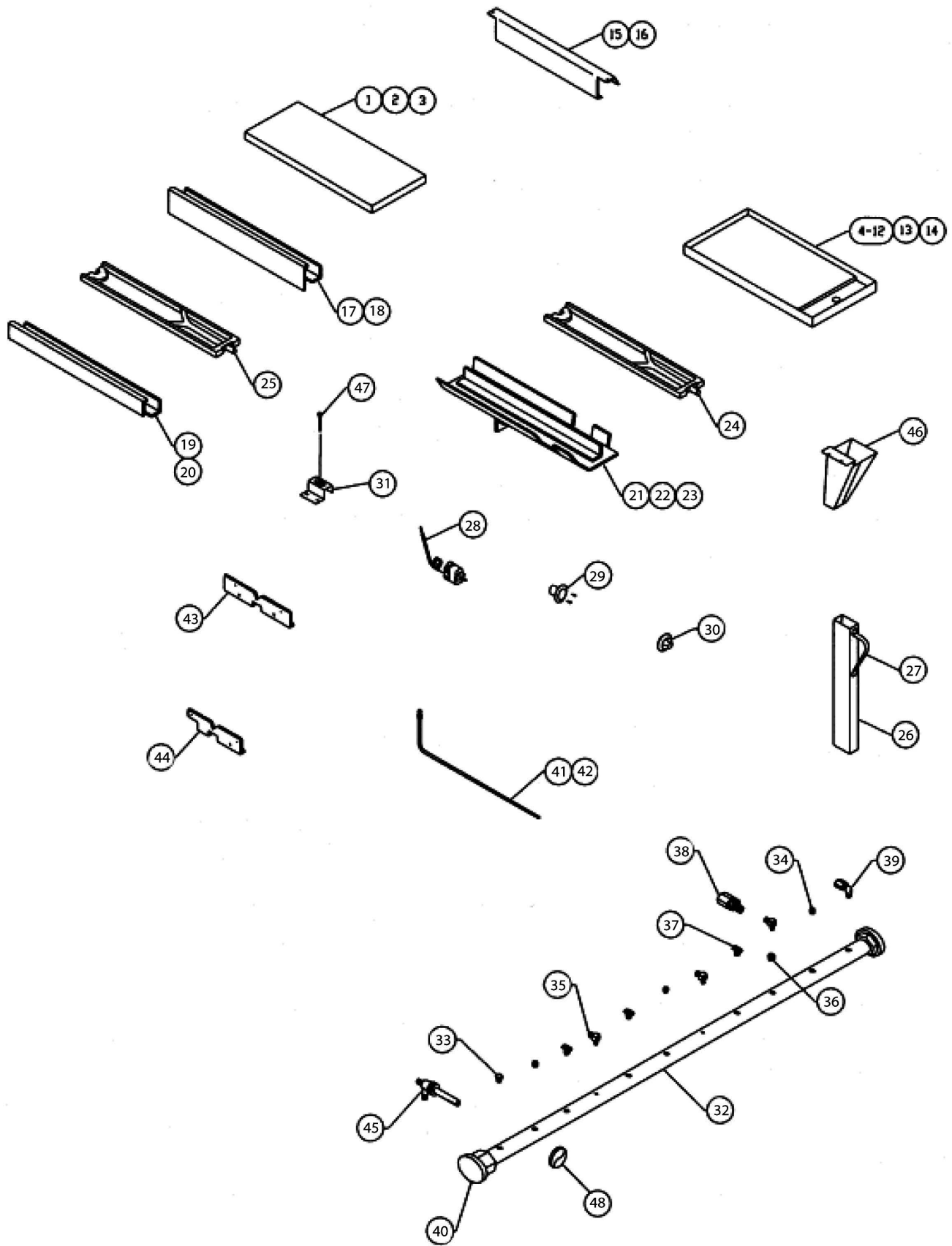


Fig. 2

## Hot Tops/Fry Tops Parts

ILLUS. Fig. 2	PART NO.	NAME OF PART	AMT.
1	00-720605	Hot Top Plate (12" x 27") .....	1
2	00-720604	18" Half Hot Top .....	1
3	00-720605-000G2	12" Full Hot Top .....	1
4	00-707880-0000A	12" Fry Top 3/4" THK LH Drain .....	1
5	00-769066-0000A	24" Fry Top 3/4" THK LH Drain .....	1
6	00-707888-0000A	24" Fry Top 1" THK LH Drain .....	1
7	00-769098-0000A	36" Fry Top 3/4" THK LH Drain .....	1
8	00-766091-0000A	36" Fry Top 1" THK LH Drain .....	1
9	00-707883-0000A	48" Fry Top 3/4" THK (Specify Drain Loc.) .....	1
10	00-707890-0000A	48" Fry Top 1" THK (Specify Drain Loc.) .....	1
11	00-707891-0000A	60" Fry Top 1" THK (Specify Drain Loc.) .....	1
12	00-707892-0000A	72" Fry Top 1" THK (Specify Drain Loc.) .....	1
13	00-767164-0000A	18" Fry Top 1" THK LH Drain .....	1
14	00-767165-0000A	18" Fry Top T.G. 1" THK LH Drain .....	1
15	00-706081	RH End Plate FT .....	1
16	00-706080	LH End Plate FT .....	1
17	00-706078	Separation Plate Between O.B. & FT or HT (12" HP) .....	1
18	00-767180	Separation Plate Between O.B. & FT or HT (18" HP) .....	1
19	00-706079	End Plate HT .....	1
20	00-767179	End Plate 18" HT .....	1
21	00-707870-0000A	Aeration Plate CTR HT-FT .....	1
22	00-707871-0000A	Aeration Plate CTR - TG Grill .....	1
23	00-767170-0000A	Aeration Plate CTR 18" HT .....	1
24	00-707893-0000A	Fry Top Burner Assy., Cast Iron .....	1
25	00-707894-0000A	Hot Top Burner Assy., Cast Iron .....	1
26	00-707877-0000A	Grease Can, Range Unit .....	1
27	00-706084	Handle for Grease Can .....	1
28	00-719362	Griddle Thermostat .....	1
29	00-715075	Griddle Thermostat Bezil .....	1
30	00-715074	Griddle Thermostat Dial .....	1
31	00-705032-0000A	Griddle Adj. Bracket .....	1
32	00-757750-0000A	Manifold Pipe .....	1
33	00-719371	1/4 NPT Steel Pipe Hex Plug .....	1
34	00-719364	1/4 Steel Plug (Countersink) .....	1
35	00-719193	1/8 NPT x 3/16 Adj. Pilot Valve .....	1
36	00-719063	1/4" x 1/8" Reducing Bushing .....	1
37	00-715084	1/4 NPT Flange Nipple .....	1
38	00-719141	1/8 NPT x 3/16cc Straight Connector .....	1
39	00-719158	1/4 NPT x 7/16cc 90° Elbow .....	1
40	FP-088-89	Union 1 1/4" .....	1
41	00-706771-0000A	Pilot Stem & Tip Only 8" .....	1
42	00-706770-0000A	Pilot Stem & Tip Only 7" .....	1
43	00-706065	Baffle, Front - Center .....	1
44	00-706066	Baffle, Front - Left or Right .....	1
45	00-715080	1/4 NPT Top Burner Valve .....	1
46	00-763011-0000A	Grease Chute .....	1
47	00-730117	Leveling Bolt .....	1
48	00-426745-00001	Knob Control .....	1

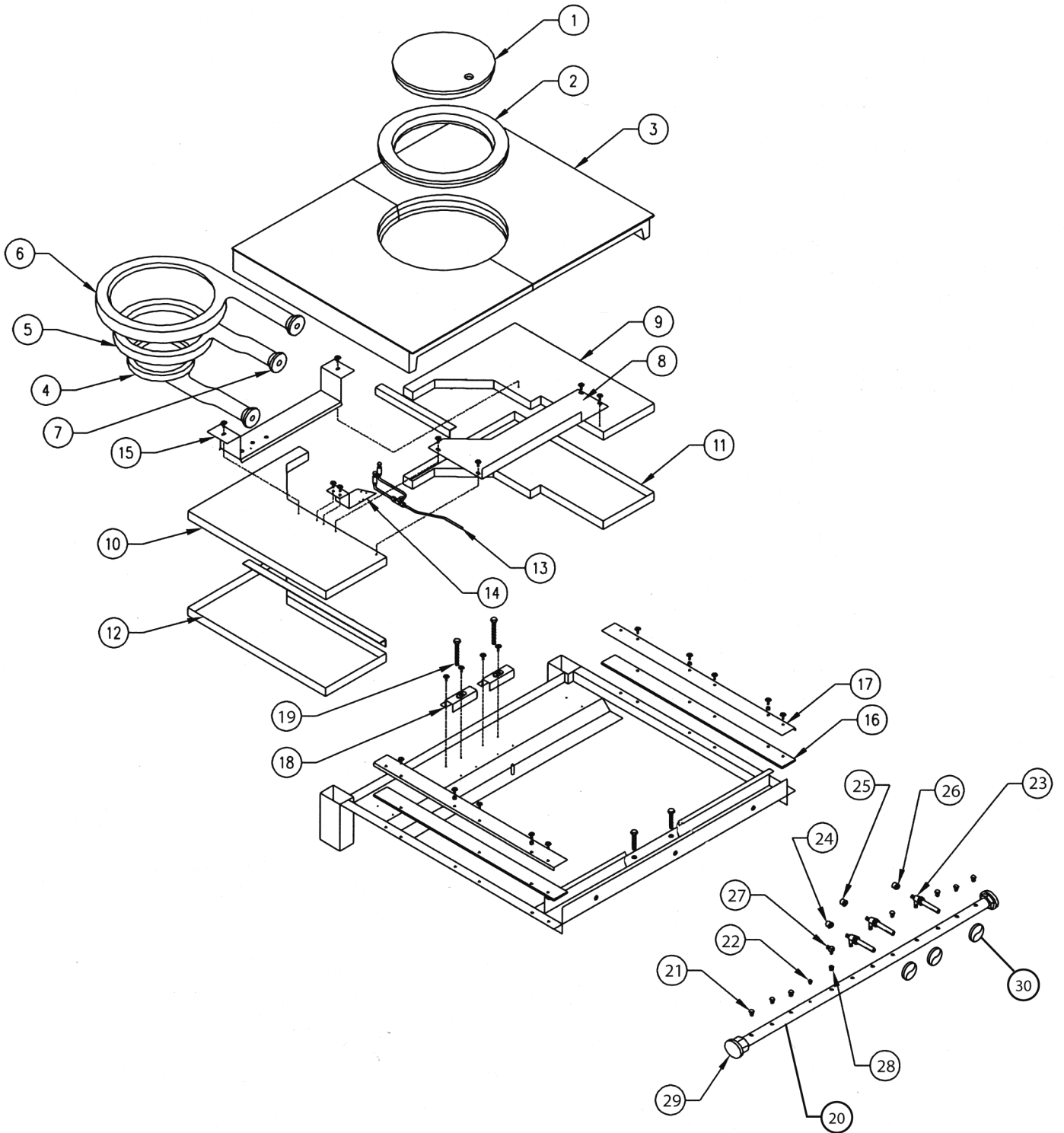
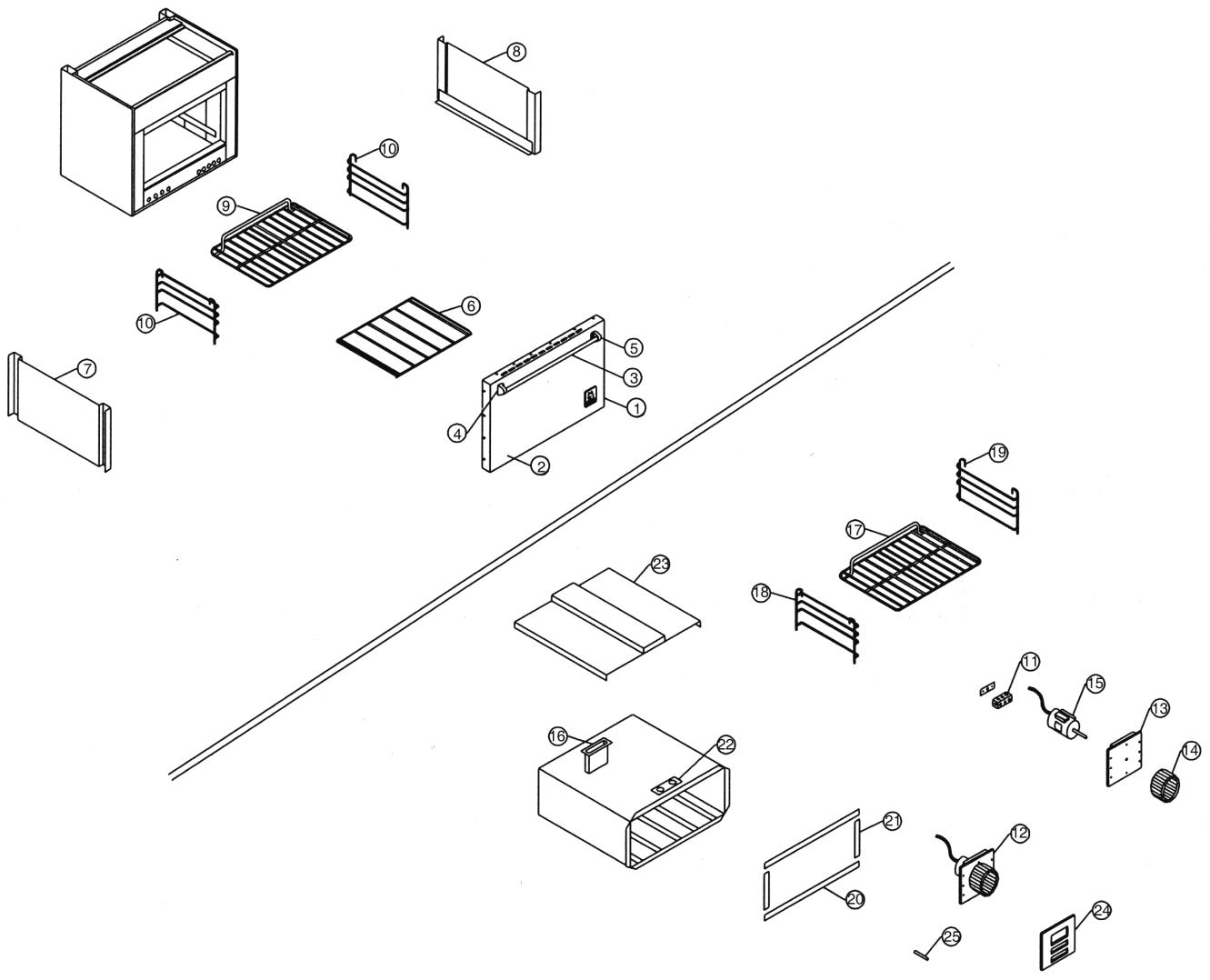


Fig. 3

## French Top Parts

ILLUS. Fig. 3	PART NO.	NAME OF PART	AMT.
1	00-715211	Top Ring Casting .....	1
2	00-715210	Top Center Casting .....	1
3	00-715212	Top Radial Finned Casting .....	1
4	00-409414-000G1	Center Frenchtop Burner .....	1
5	00-409413-000G1	Middle Frenchtop Burner .....	1
6	00-409412-000G1	Outer Frenchtop Burner .....	1
7	00-719329	Air Shutter .....	1
8	00-764907	Center Heat Panel .....	1
9	00-764908	Top Insulation Panel - RH .....	1
10	00-764909	Top Insulation Panel - LH .....	1
11	00-764910	Bottom Insulation Panel - RH .....	1
12	00-764911	Bottom Insulation Panel - LH .....	1
13	00-764923-0000A	Pilot Tube Assembly .....	1
14	00-787223	Dual Pilot Bracket .....	1
15	00-764916	Burner Support Bracket.....	1
16	00-764919	Grate Support .....	1
17	00-764920	Grate Support Cover .....	1
18	00-705032-0000A	Leveling Bracket W/A .....	1
19	00-730117	Rear Leveling Bolts .....	1
20	00-757750-0000A	Manifold Pipe .....	1
21	00-719371	1/4" Plug .....	1
22	00-719370	1/8" Plug .....	1
23	00-715080	1/4 NPT Valve .....	1
24	00-719951-00053	Inner Burner Orifice (Nat. or LP. Gas) .....	1
25	00-719951-00052	Middle Burner Orifice (Nat. Gas) .....	1
	00-719951-00059	Middle Burner Orifice (LP. Gas) .....	1
26	00-719951-00043	Outer Burner Orifice (Nat. Gas) .....	1
	00-719951-00062	Outer Burner Orifice (LP. Gas).....	1
27	00-719193	Single Pilot Valve .....	1
28	00-719063	1/4 to 1/8 Reducing Bushing .....	1
29	FP-087-62	1 1/4" Union .....	1
30	00-426745-00001	Knob Control .....	1



Standard Oven

Convection Oven

Fig. 4



## Oven Parts

ILLUS. Fig. 4	PART NO.	NAME OF PART	AMT.
1	00-788278-0000A	Oven Door Complete, Stainless .....	1
2	00-757522	Door Panel .....	1
3	00-715504	Door Handle .....	1
4	00-719621	Door Handle Bracket, Left .....	1
5	00-719622	Door Handle Bracket, Right .....	1
6	00-707859-000AP	Oven Bottom, Porcelain .....	1
7	00-707854-000AP	Oven Side Liner, Left .....	1
8	00-707855-000AP	Oven Side Liner, Right .....	1
9	00-715060-000A2	Oven Rack .....	1
10	00-715026-00002	Oven Rack Guide Assy., Left or Right .....	1
11	00-788596-0000A	Terminal Block .....	1
12	00-751316-0000A	Motor & Fan Assy. (115V) .....	1
13	00-751655-0000A	Motor Mounting Plate Assy. ....	1
14	00-715106	Fan Blower Wheel Only (8" x 2 1/2") .....	1
15	00-715107-00002	Motor Only (115V) .....	1
16	00-751341-0000A	Snorkler Tube .....	1
17	00-718341	Oven Rack (26 1/8" x 21") .....	1
18	00-714941	Oven Rack Guide, Left .....	1
19	00-714942	Oven Rack Guide, Right .....	1
20	00-720666	Top Door Seal .....	1
	00-720667	Bottom Door Seal .....	1
21	00-720668	Right Side Door Seal .....	1
	00-720669	Left Side Door Seal .....	1
22	00-751355-000A2	Vent Tube Assy. ....	1
23	00-751369-0000A	Flue Duct Assy. ....	1
24	00-751351	Fan Cover Front Shield .....	1
25	00-715138	Sleeve/Spacer .....	1
	00-715016	LH Counterweight Arm .....	1
	00-715017	RH Counterweight Arm .....	1
	00-715064	Hinge Pin .....	1
	00-715063	Hinge Pin Bushing .....	1
	00-707843-0000A	Flue Box (Standard Oven) .....	1
	00-751444-0000A	Flue Box (Convection Oven) .....	1

Control System • Convection Oven

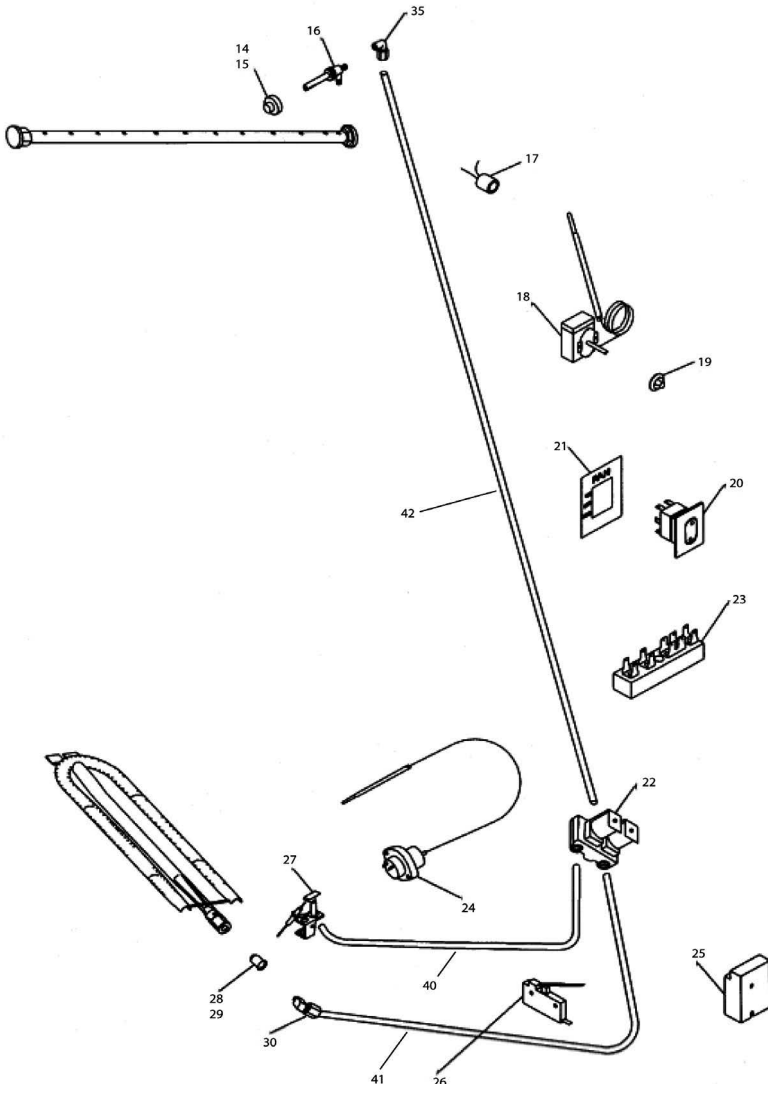


Fig. 5

Control System • Standard Oven

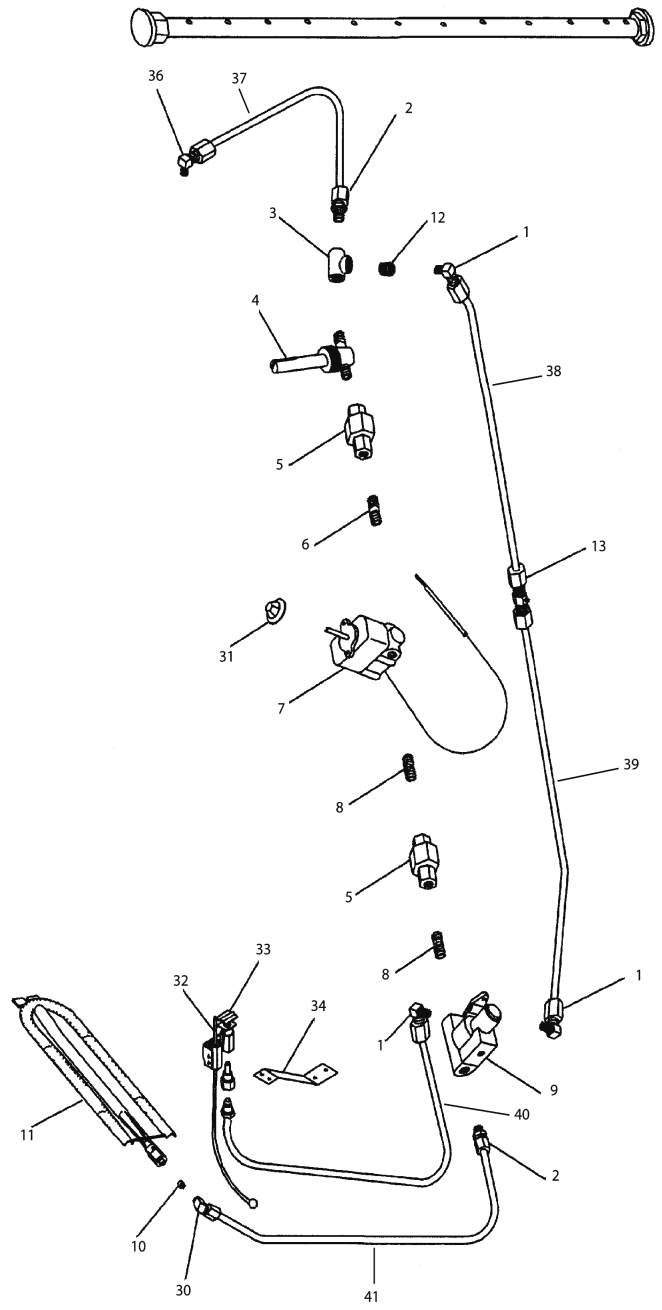


Fig. 6

## Control System Parts List

ILLUS. Fig. 5, 6	PART NO.	NAME OF PART	AMT.
1	00-719156	1/8 X 1/4cc Brass Elbow .....	1
2	00-719377	3/8 NPT X 3/8 STR Brass Connector .....	1
3	00-719037	3/8 X 3/8 X 3/8 Tee .....	1
4	00-719971	Shut Off Valve (Standard Oven) .....	1
5	00-719032	Union 3/8 .....	1
6	00-719055	Nipple 3/8 X 1 1/4 .....	1
7	00-715048	Oven Thermostat (FDT0) (500°) .....	1
	00-715048-00002	Oven Thermostat (650°) .....	1
8	00-719074	Close Nipple 3/8 .....	1
9	00-720719	Safety Valve (BASO) .....	1
10	00-719951-00035	Orifice .....	1
11	00-719737-00004	Oven Burner (Prior to April 17, 2006) .....	1
	00-497579-000G1	Oven Burner (April 17, 2006 to Present) .....	1
12	00-719066	Reducing Coupling 3/8 X 1/8 .....	1
13	00-707648-0000A	Pilot Valve Assy. ....	1
14	00-402957-00003	Knob, Oven Valve (Black) .....	1
15	00-402957-00002	Knob, Oven Valve (Red) .....	1
16	00-715080	ON/OFF Oven Valve (Convection Oven) .....	1
17	00-720017	Temperature Indicator Light (Red) .....	1
18	00-719202	Oven Thermostat (Convection Oven) .....	1
19	00-718224	Oven Thermostat Dial .....	1
20	00-715112	Fan Switch (3-Position Rocker) .....	1
21	00-715127	Label, Fan Switch .....	1
22	00-713656	Dual Solenoid .....	1
23	00-788596-0000A	Terminal Block .....	1
24	00-713933	Flame Switch .....	1
25	00-720385	Spark Module, Single (Blue) .....	1
26	00-715122	Switch, Door .....	1
27	00-714392-00042	Spark Pilot .....	1
28	00-720041	Pilot Orifice (Nat. Gas) (Use With 715004 Only) .....	1
29	00-712363	Pilot Orifice (LP. Gas) (Use With 715004 Only) .....	1
30	00-719385	Orifice Elbow, Oven Burner .....	1
31	00-715059	Oven Thermostat Dial (Knob) (500°) .....	1
	00-715059-00001	Oven Thermostat Dial (Knob) (650°) .....	1
32	00-715005	Oven Safety Thermocouple .....	1
33	00-715004	Oven Pilot (Nat. Gas) (Prior to April 17, 2006) .....	1
	00-412787-00001	Oven Pilot (Nat. Gas) (April 17, 2006 to Present) .....	1
	00-412782-00002	Oven Pilot (LP. Gas) (April 17, 2006 to Present) .....	1
34	00-706088	Mounting Bracket For Pilot .....	1
35	00-719393	Elbow 3/8 x 3/8cc .....	1
36	00-719376	Brass Elbow .....	1
37	00-722425	Flex Tubing 3/8 x 8" .....	1
38	00-722227	Flex Tubing 1/4 X 6" .....	1
39	00-722229	Flex Tubing 1/4 X 18" .....	1
40	00-722230	Flex Tubing 1/4 X 24" .....	1
41	00-722223	Flex Tubing 3/8 X 24" .....	1
42	00-722222	Flex Tubing 3/8 X 18" .....	1

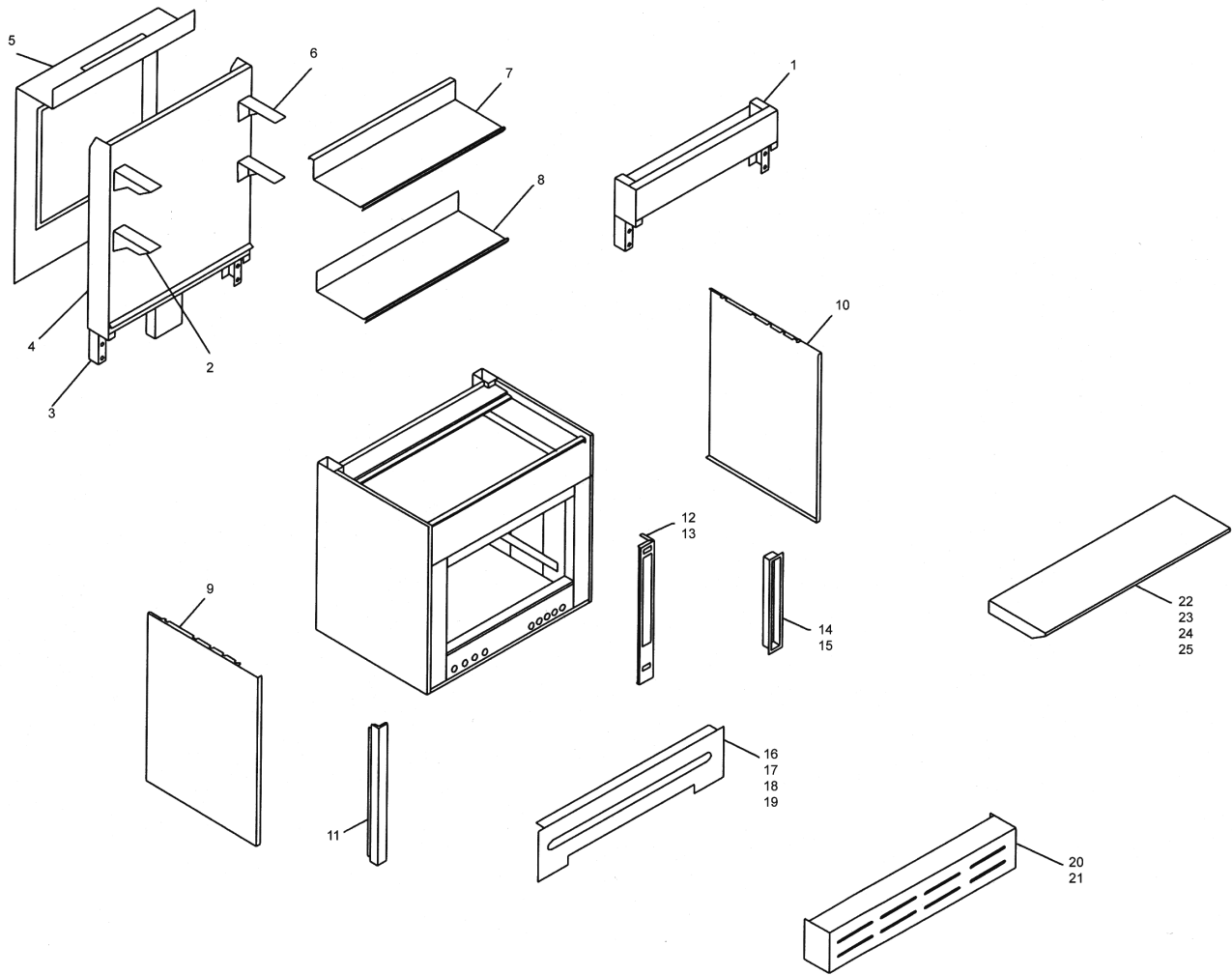


Fig. 7

## Body Parts/Shelves Risers Parts List

ILLUS. Fig. 7	PART NO.	NAME OF PART	AMT.
1	00-769185-0000A	Riser, 36" SST Stub .....	1
2	00-715089	Shelf Bracket L-Plated .....	1
3	00-788577-0000A	Kit, Support Channels .....	1
4	00-767547-0000A	Double Deck Hi-Shelf Front .....	1
5	00-706252	Back Panel Double Deck .....	1
6	00-715090	Shelf Bracket R-Plated .....	1
7	00-706289	Top Shelf S/S 36" .....	1
8	00-707509-0000A	Lower Shelf S/S 36" .....	1
9	00-763698	Right Side Stainless Plant On .....	1
10	00-763699	Left Side Stainless Plant On .....	1
11	00-706393	Left Oven Post Cover, Stainless .....	1
12	00-706114	Oven Control Panel, Painted .....	1
13	00-706115	Oven Control Panel, Stainless .....	1
14	00-706117	Oven Control Panel Insert, Stainless .....	1
15	00-751609	Oven Control Panel Insert, Stainless - KFS .....	1
16	00-706129-00001	Manifold Cover 36" S/S .....	1
17	00-706361-00001	Manifold Cover 24" S/S .....	1
18	00-706359-00001	Manifold Cover 18" S/S .....	1
19	00-706357	Manifold Cover 12" S/S .....	1
20	00-706163	Burner Box Panel (Kick Plate) Painted .....	1
21	00-706164	Burner Box Panel (Kick Plate) Stainless .....	1
22	00-788768-00A12	Roll Front - Bull Nose 12" .....	1
23	00-788768-00A18	Roll Front - Bull Nose 18" .....	1
24	00-788768-00A24	Roll Front - Bull Nose 24" .....	1
25	00-788768-00A36	Roll Front - Bull Nose 36" .....	1

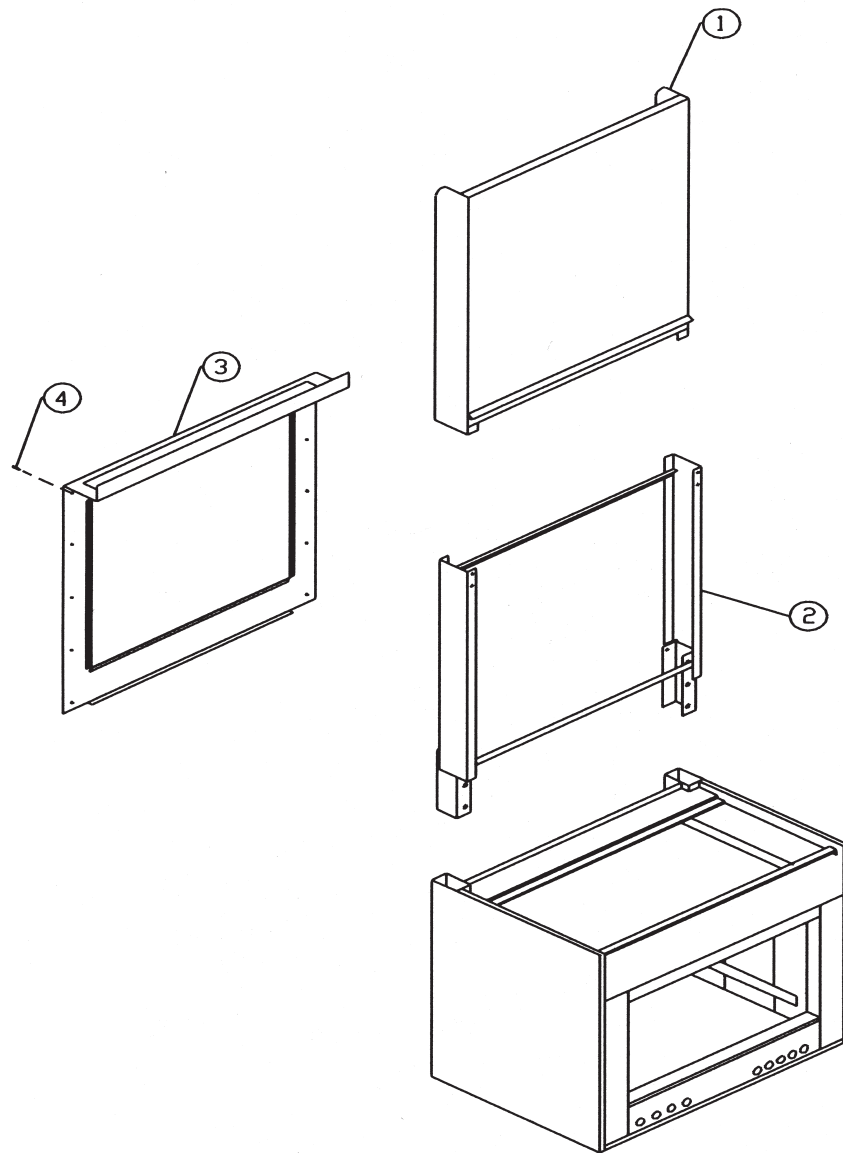


Fig. 8

**Riser Kit Without Shelf Parts List**

ILLUS. Fig. 8	PART NO.	NAME OF PART	AMT.
1	00-767548-0000A	Single Deck Riser Panel, SST .....	1
2	00-788576-0000A	Channel Support Kit .....	1
3	00-707514-0000A	Back Panel, Single Deck Assy. ....	1
4	00-730228	Screw, 10-24 X 1/2 Phil .....	14

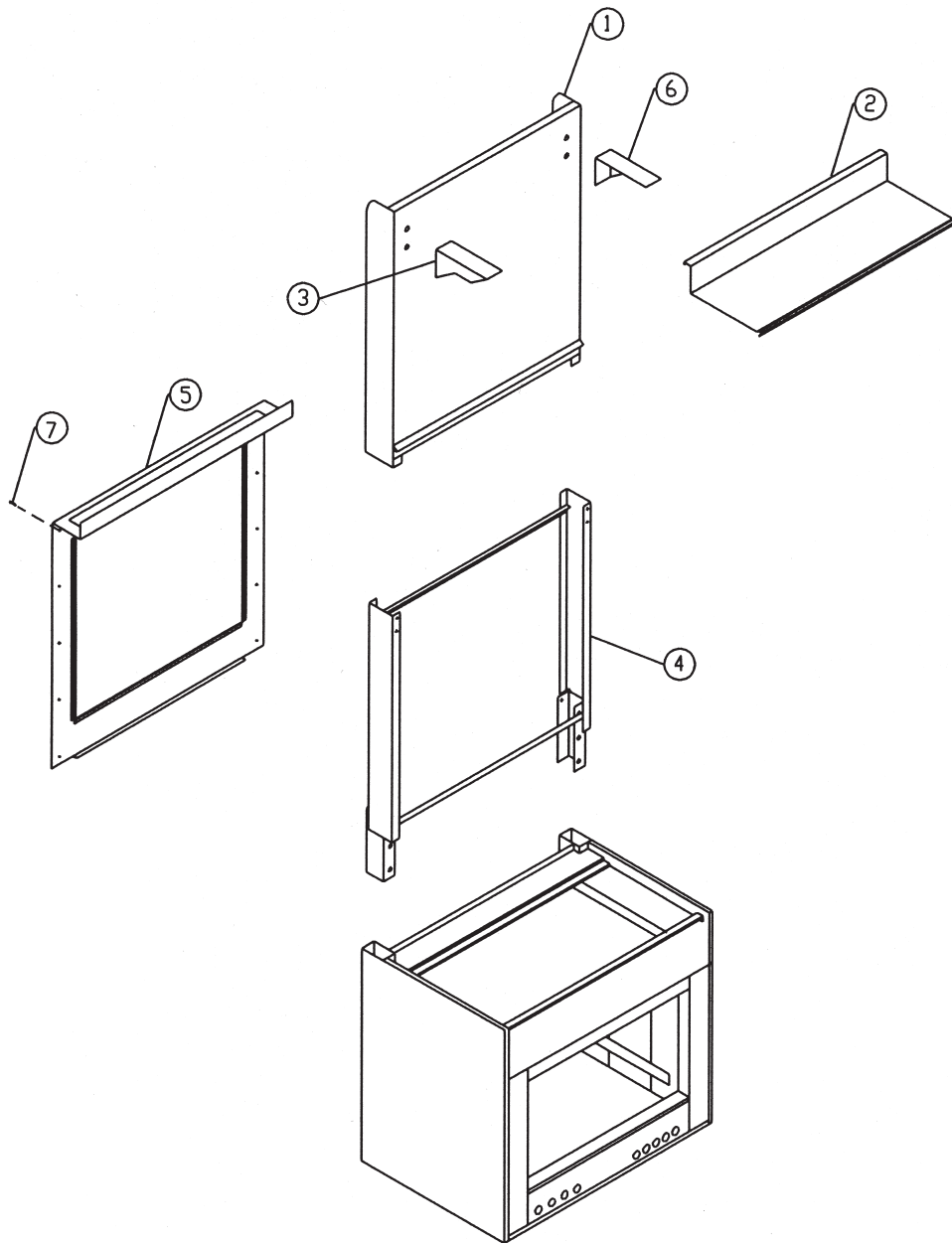


Fig. 9

### Riser Kit With Single Shelf Parts List

ILLUS. Fig. 9	PART NO.	NAME OF PART	AMT.
1	00-767547-0000A	Single Deck Hi-Shelf Panel, SST .....	1
2	00-706289	Top Shelf S/S 36" .....	1
3	00-715089	Shelf Bracket L-Plated .....	1
4	00-788576-0000A	Channel Support Kit .....	1
5	00-707514-0000A	Back Panel Single Deck Assy. ....	1
6	00-715090	Shelf Bracket R-Plated .....	1
7	00-730228	Screw, 10-24 X 1/2 Phil .....	14

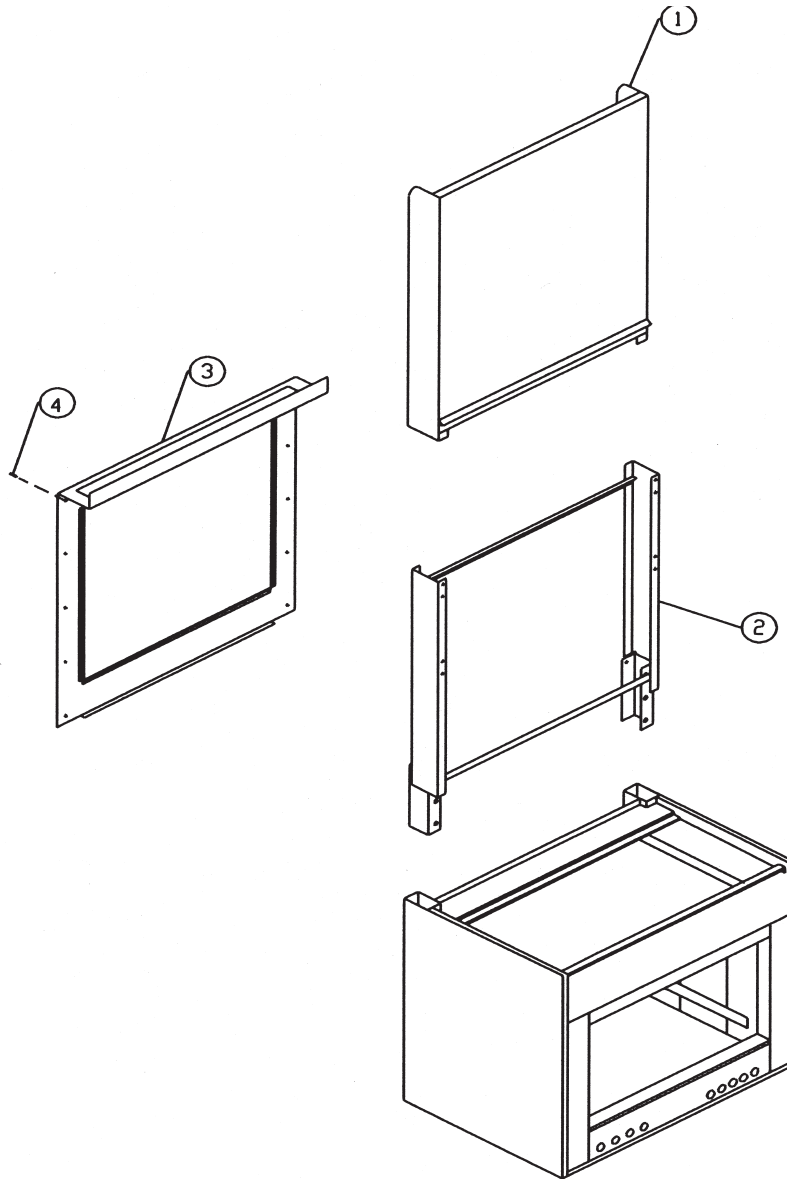


Fig. 10

**Double Deck Riser Kit Without Shelves Parts List**

ILLUS. Fig. 10	PART NO.	NAME OF PART	AMT.
1	00-767580-0000A	Double Deck Riser Panel, SST .....	1
2	00-788577-0000A	Channel Support Kit .....	1
3	00-707519-0000A	Back Panel Double Deck Assy. ....	1
4	00-730228	Screw, 10-24 X 1/2 Phil .....	16



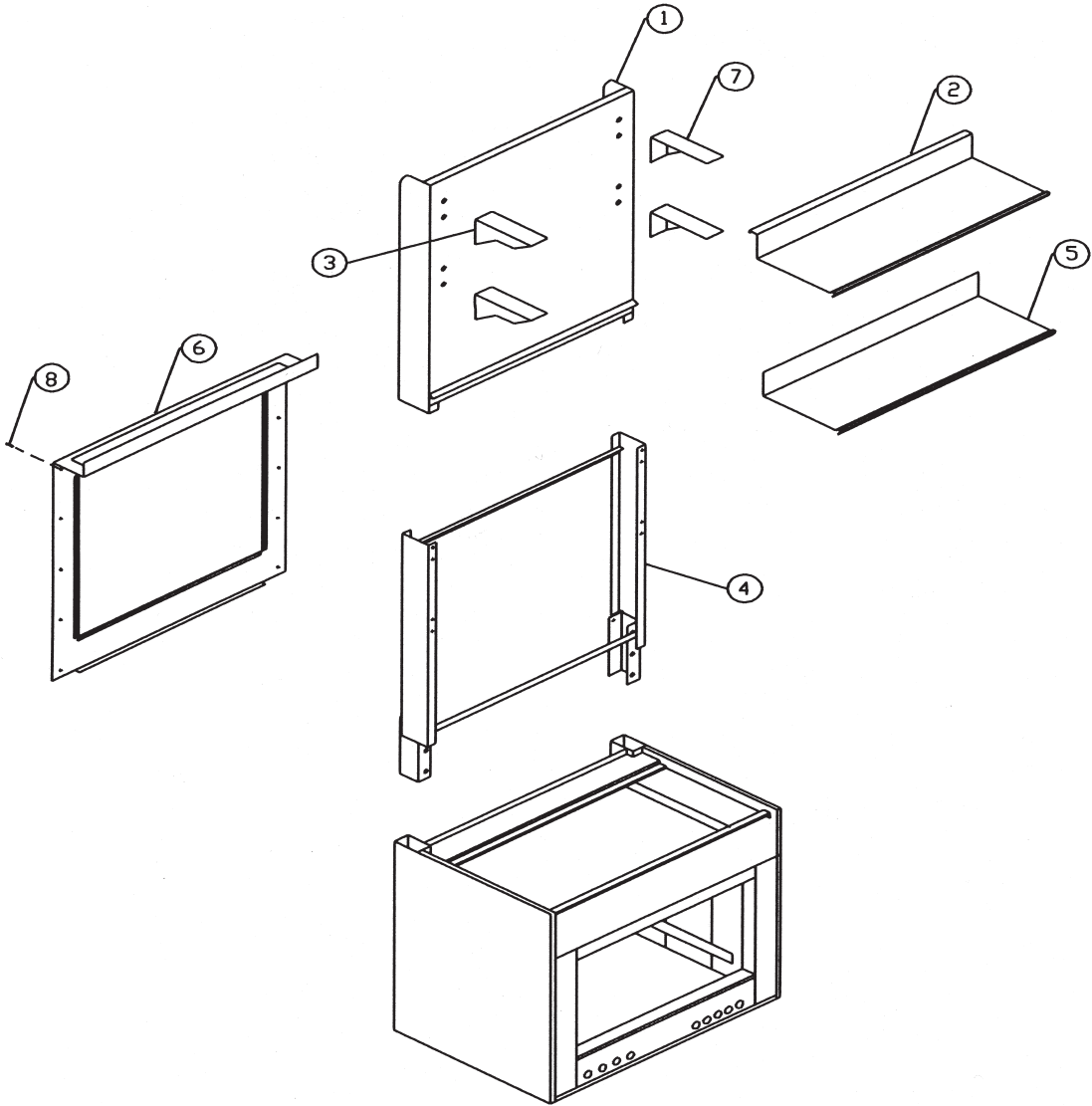


Fig. 11

**Double Deck Riser Kit With Shelves Parts List**

ILLUS. Fig. 11	PART NO.	NAME OF PART	AMT.
1	00-767579-0000A	Double Deck Hi-Shelf Panel, SST .....	1
2	00-706289	Top Shelf, S/S 36" .....	1
3	00-715089	Shelf Bracket L-Plated .....	2
4	00-788577-0000A	Channel Support Kit .....	1
5	00-707509-0000A	Lower Shelf, S/S 36" .....	1
6	00-707519-0000A	Back Panel Double Deck Assy. ....	1
7	00-715090	Shelf Bracket R-Plated .....	2
8	00-730228	Screw, 10-24 X 1/2 Phil .....	16

## RECOMMENDED SPARE PARTS LIST

### OPEN TOP/HOT TOP/GRIDDLE

PART NO.	NAME OF PART	AMT.
00-762970-0000A	Double Burner Assy. ....	1
00-715080	Top Burner Valve .....	2
00-762971-0000A	Two Burner Pilot Assy. ....	2
00-719193	Pilot Valve .....	2
00-426745-00001	Top Control Knob .....	2
00-719951-00041	Open Top Burner Orifice (Nat. Gas) (#41) .....	2
00-719951-00052	Open Top Burner Orifice (L.P. Gas) (#52) .....	2
00-719362	Griddle Thermostat .....	1
00-715074	Griddle Thermostat Knob .....	1
00-706771-0000A	Pilot Assy. (Griddle/Hot Top) .....	1
00-720566	Double Open Top Grate (18") .....	1
00-720567	Double Open Top Grate (12") .....	1

### STANDARD OVEN AND CONVECTION OVEN

PART NO.	NAME OF PART	AMT.
<b>STANDARD OVEN</b>		
00-714267	Safety Valve .....	2
00-715048	Thermostat (Oven) (500 Degrees) .....	2
00-715059	Thermostat Knob (500 Degrees) .....	2
00-715048-00002	Thermostat (Oven) (650 Degrees) .....	2
00-715059-00001	Thermostat Knob (650 Degrees) .....	2
00-715004	Oven pilot Assy. (Before April 17, 2006) .....	2
00-412787-00001	Oven pilot Assy. (After April 17, 2006) (Nat. Gas) .....	2
00-412787-00002	Oven Pilot Assy. (After April 17, 2006) (L.P. Gas) .....	2
00-408279-00025	Regulator (Nat. Gas) .....	2
00-408279-00021	Regulator (L.P. Gas) .....	2
<b>CONVECTION OVEN</b>		
00-713656	Double Solenoid Valve .....	2
00-720385	Spark Module .....	2
00-751316-0000A	Motor/Blower Assy. ....	1
00-713933	Flame Switch .....	2
00-714392-00042	Spark Pilot .....	2
00-718224	Thermostat Knob .....	2
00-719202	Electric Oven Thermostat .....	2
00-715112	Fan Switch .....	2
00-715122	Door Switch .....	2