

# **VULCAN**

## *CATALOG OF REPLACEMENT PARTS*

### *ELECTRIC CONVECTION OVENS*

#### *MODELS*

|                  |              |
|------------------|--------------|
| <i>ML-126743</i> | <i>VC4ES</i> |
| <i>ML-126744</i> | <i>VC4ED</i> |
| <i>ML-126745</i> | <i>VC4EC</i> |
| <i>ML-126746</i> | <i>VC6ES</i> |
| <i>ML-126747</i> | <i>VC6ED</i> |
| <i>ML-126748</i> | <i>VC6EC</i> |

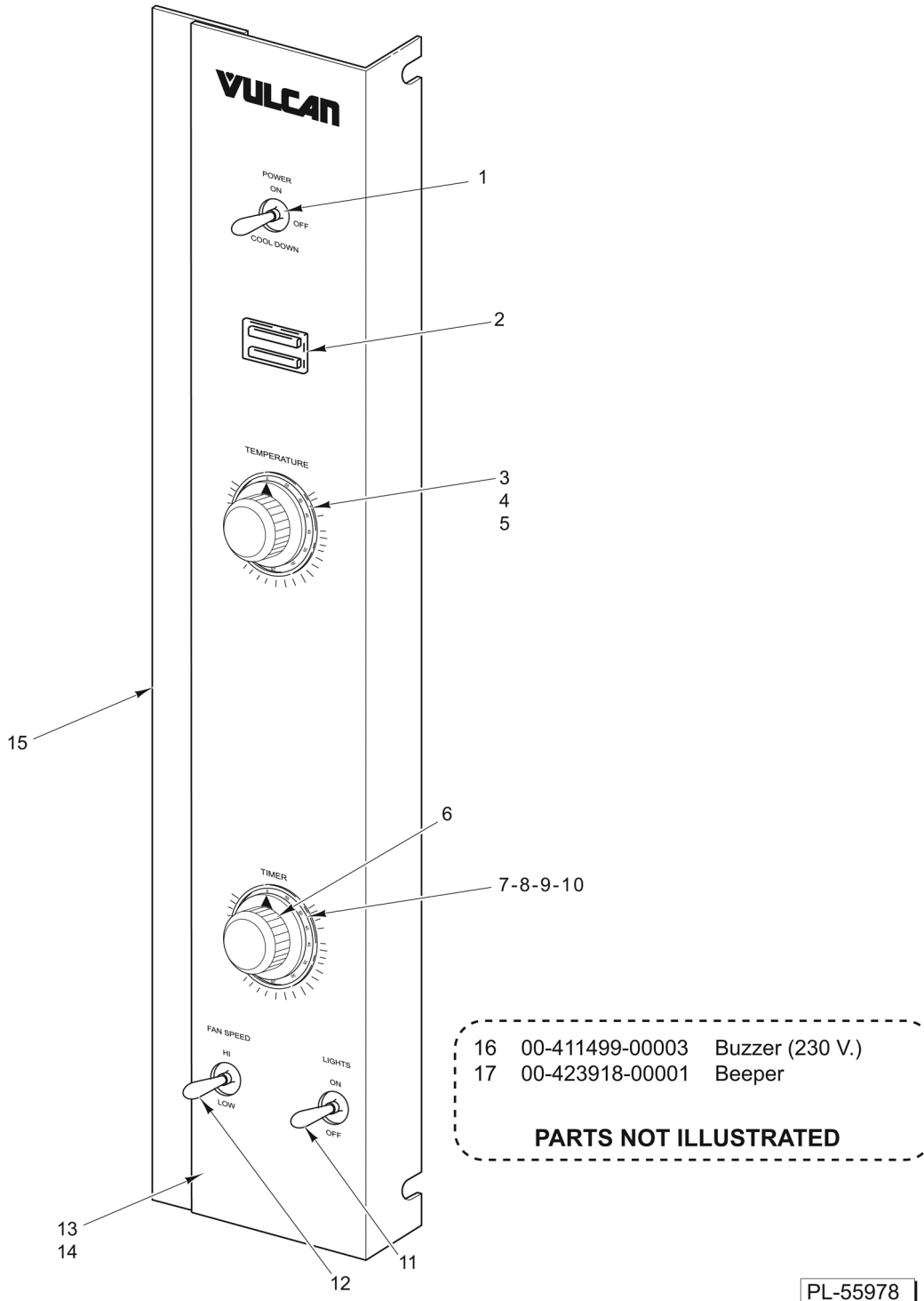


**For additional information on Vulcan-Hart Company or to locate an authorized parts and service provider in your area, visit our website at [www.vulcanequipment.com](http://www.vulcanequipment.com)**



### **Table of Contents**

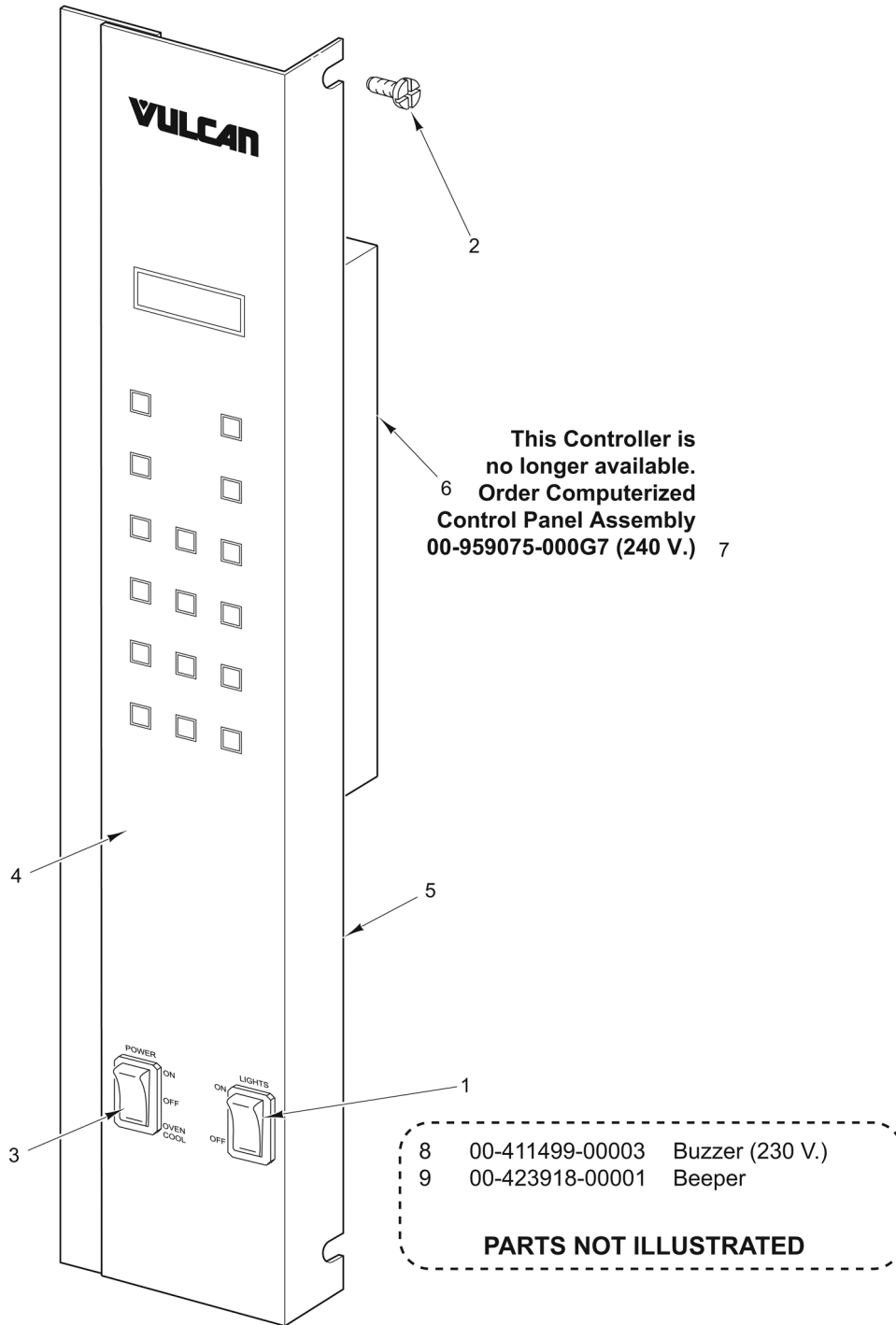
|    |  |
|----|--|
| 5  | CONTROL PANEL (ML-126743, ML-126744, ML-126746, & ML-126747) |
| 7  | CONTROL PANEL (ML-126745 & ML-126748) (PREVIOUS)             |
| 9  | CONTROL PANEL (ML-126745 & ML-126748) (CURRENT)              |
| 11 | COMPONENT PANEL  |
| 13 | OVEN PANELS (LH SIDE) (PREVIOUS CONSTRUCTION)                |
| 15 | OVEN PANELS (LH SIDE) (CURRENT CONSTRUCTION)                 |
| 17 | OVEN PANELS (RH SIDE)  |
| 19 | SIMULTANEOUSLY OPENING DOOR ASSEMBLY (PREVIOUS CONSTRUCTION) |
| 21 | SIMULTANEOUSLY OPENING DOOR ASSEMBLY (CURRENT CONSTRUCTION)  |
| 23 | INDEPENDENTLY OPENING DOOR ASSEMBLY (PREVIOUS CONSTRUCTION)  |
| 25 | INDEPENDENTLY OPENING DOOR ASSEMBLY (CURRENT CONSTRUCTION)   |



**CONTROL PANEL**  
**(ML-126743, ML-126744, ML-126746, & ML-126747)**

**CONTROL PANEL**  
**(ML-126743, ML-126744, ML-126746, & ML-126747)**

| ILLUS.<br>PL-55978 | PART NO.        | NAME OF PART                                  | AMT. |
|--------------------|-----------------|---|------|
| 1                  | 00-340324-00008 | Switch (4P.D.T.) (On/Off/Cooldown).....       | 1    |
| 2                  | 00-913102-00161 | Light - Indicator (Double).....               | 1    |
| 3                  | 00-411242-00001 | Knob.....                                     | 1    |
| 4                  | 00-913149       | Kit - Temperature Control (With Harness)..... | 1    |
| 5                  | 00-411506-00003 | Thermostat (Before Feb. 2001).....            | 1    |
| 6                  | 00-411242-00001 | Knob.....                                     | 1    |
| 7                  | 00-411690-00002 | Timer (200-240 V.) (60 Hz.) (1-Hr.).....      | 1    |
| 8                  | 00-411690-00004 | Timer (240 V.) (60 Hz.) (5-Hr.).....          | 1    |
| 9                  | 00-411690-00005 | Timer (240 V.) (50 Hz.) (1-Hr.).....          | 1    |
| 10                 | 00-411690-00006 | Timer (240 V.) (50 Hz.) (5-Hr.).....          | 1    |
| 11                 | 00-340324-00012 | Switch (S.P.S.T.) (On/Off).....               | 1    |
| 12                 | 00-340324-00009 | Switch (D.P.D.T.) (Hi/Low).....               | 1    |
| 13                 | 00-426855-00001 | Overlay - Panel (D Models).....               | 1    |
| 14                 | 00-426719-00001 | Overlay - Panel (S Models).....               | 1    |
| 15                 | 00-499296-000G1 | Panel - Weldment.....                         | 1    |
| 16                 | 00-411499-00003 | Buzzer (230 V.).....                          | 1    |
| 17                 | 00-423918-00001 | Electronic Beeper.....                        | 12   |



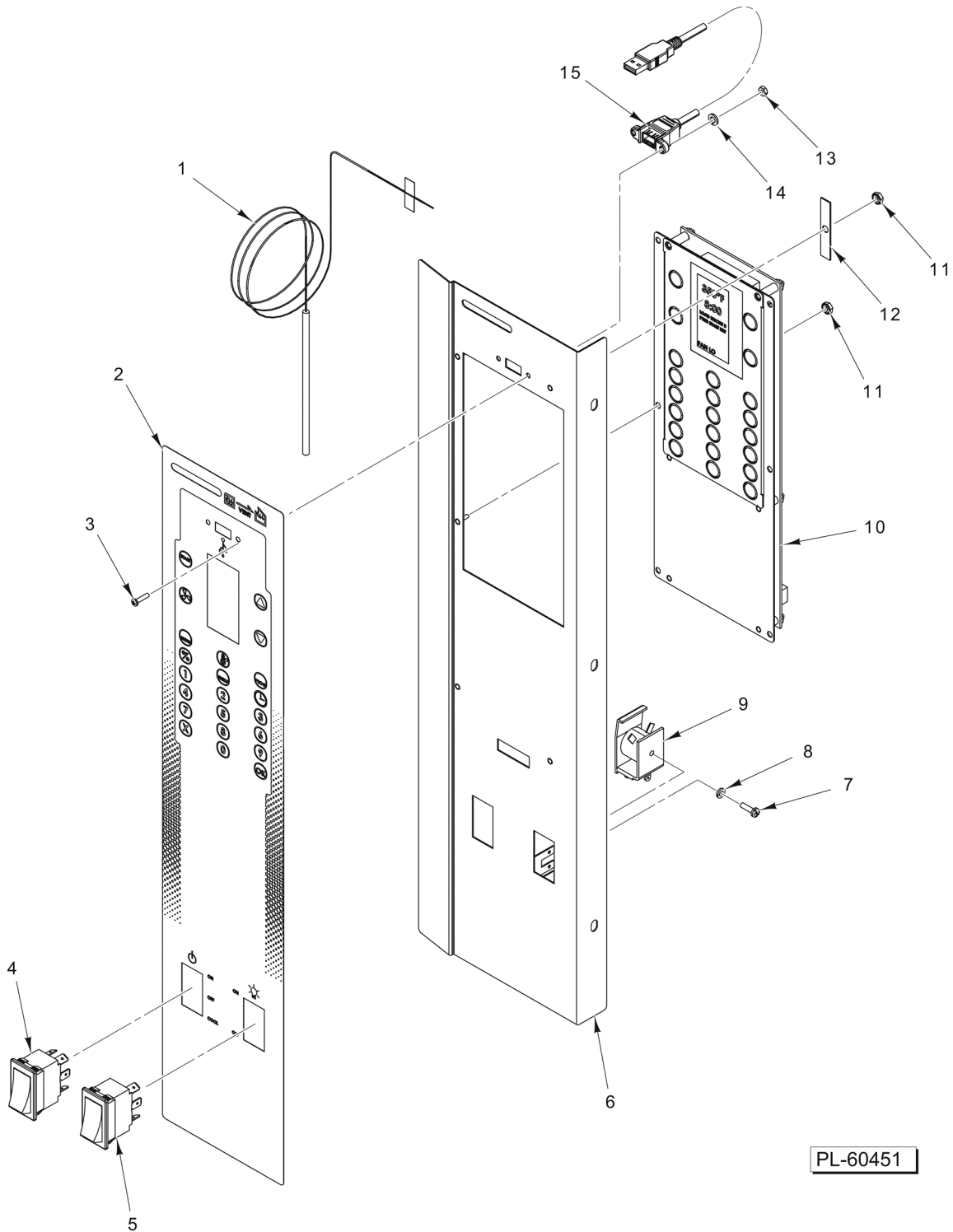
PL-60450

**CONTROL PANEL  
(ML-126745 & ML-126748) (PREVIOUS)**

**CONTROL PANEL  
(ML-126745 & ML-126748) (PREVIOUS)**

| ILLUS.   | PART NO.        | NAME OF PART  | AMT. |
|----------|-----------------|---|------|
| PL-60450 |                 |   |      |
| 1        | 00-358628-00002 | Switch - Rocker (2-Position).....                           | 1    |
| 2        | SD-037-02       | Self-Tapping Screw 10-16 x 1/2 Hex Washer Hd., Type AB..... | 3    |
| 3        | 00-358628-00001 | Switch - Rocker (3-Position).....                           | 1    |
| 4        | 00-426930-00001 | Overlay - Control Panel.....                                | 1    |
| 5        | 00-424842-000G1 | Panel - Weldment.....                                       | 1    |
| *6       |                 | Controller.....   | 1    |
| 7        | 00-959075-000G7 | Panel - Control Assy. (Complete).....                       | 1    |
| 8        | 00-411499-00003 | Buzzer (230 V.).....  | 1    |
| 9        | 00-423918-00001 | Electronic Beeper.....                                      | 12   |

\* (No Longer Available, order Item 7.)



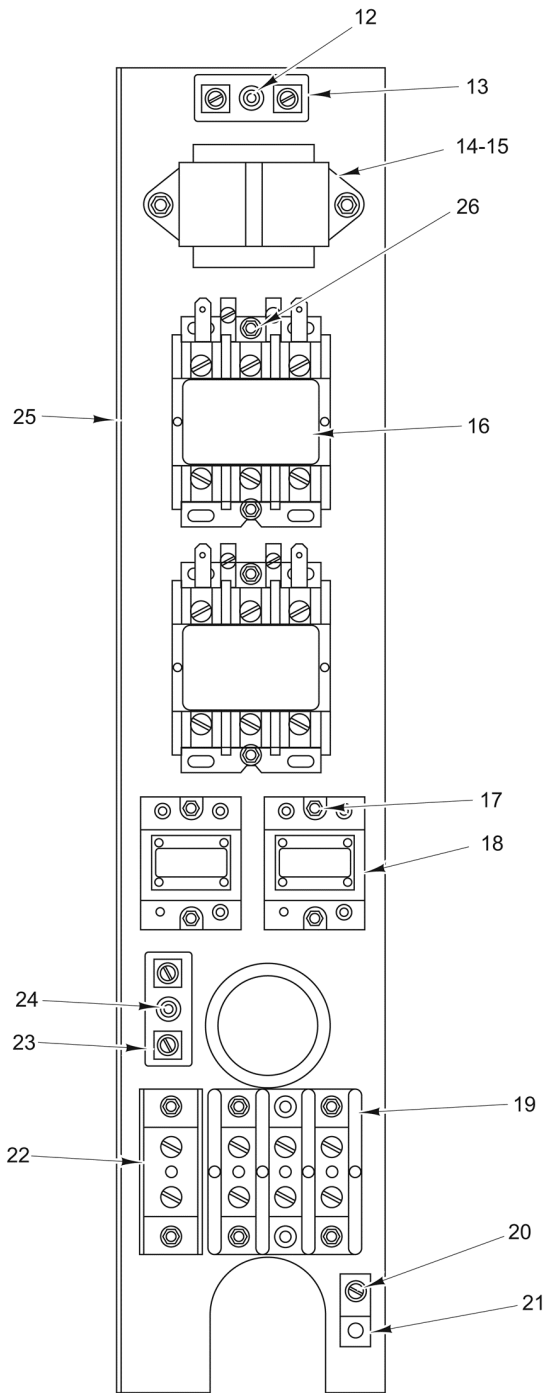
PL-60451

**CONTROL PANEL  
(ML-126745 & ML-126748) (CURRENT)**

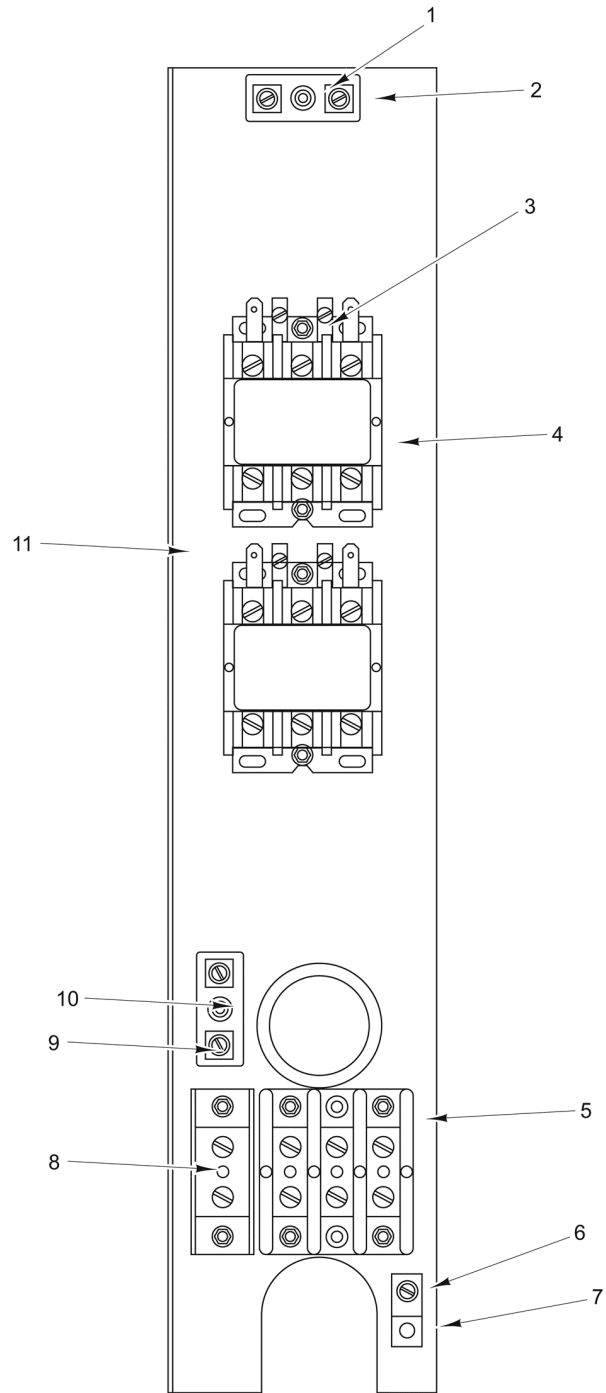


**CONTROL PANEL  
(ML-126745 & ML-126748) (CURRENT)**

| ILLUS.   | PART NO.        | NAME OF PART  | AMT. |
|----------|-----------------|---|------|
| PL-60451 |                 |   |      |
| 1        | 00-920883-00003 | Probe - Temperature.....                                  | 1    |
| 2        | 00-959113-00002 | Overlay (Vulcan).....                                     | 1    |
| 3        |                 | Mach. Screw 4-40 x 1/2 Phil. Pan Hd.....                  | 2    |
| 4        | 00-358628-00001 | Switch - Rocker (3-Position).....                         | 1    |
| 5        | 00-358628-00002 | Switch - Rocker (2-Position).....                         | 1    |
| 6        | 00-959074       | Penel - Weldment.....                                     | 1    |
| 7        | SC-114-83       | Mach. Screw 6-32 x 1/4 Slotted Pan Hd. (SST).....         | 1    |
| 8        | WL-003-12       | Lockwasher #8 Helical.....                                | 1    |
| 9        | 00-411499-00003 | Buzzer (230 V.).....                                      | 1    |
| 10       | 00-959077-00001 | Controller - Cooking (NCC).....                           | 1    |
| 11       | NS-046-89       | Nut Assy. 6-32 Hex.....                                   | AR   |
| 12       | 00-959110-00001 | Plate.....  | 2    |
| 13       |                 | Nut 4-40 Hex.....   | 2    |
| 14       |                 | Lockwasher.....   | 2    |
| 15       | 00-959000-000G1 | Cable Assy. (USB) (1 Ft.) (Incls. Items 3, 14, & 15)..... | 1    |



(ML-126745 & ML-126748)



(ML-126743, ML-126744, ML-126746, & ML-126747)

27 FE-019-40 Fuse (15 Amp.)  
 28 FE-023-55 Holder - Fuse  
**PARTS NOT ILLUSTRATED**

PL-55979

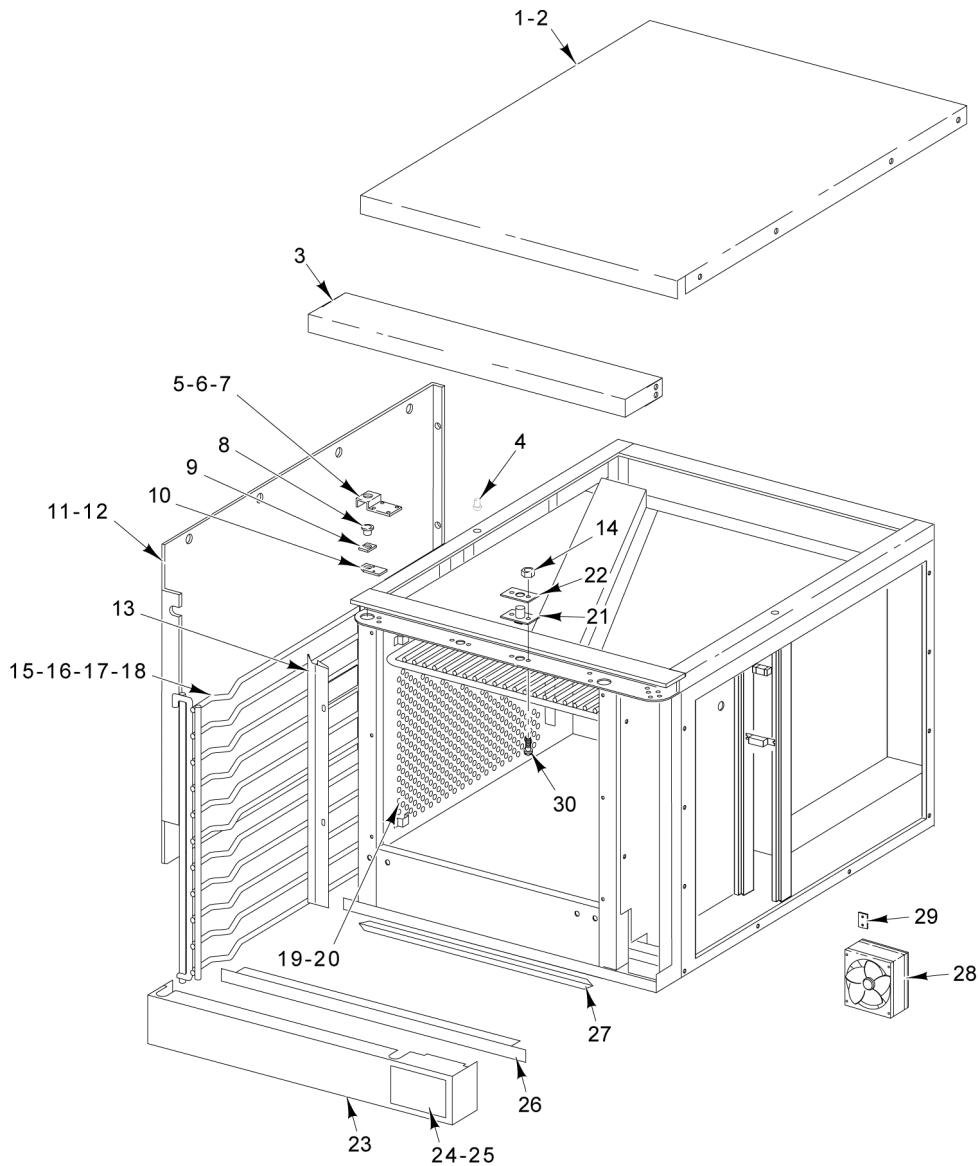
**COMPONENT PANEL**

### COMPONENT PANEL

| ILLUS.<br>PL-55979 | PART NO.        | NAME OF PART  | AMT. |
|--------------------|-----------------|---|------|
| 1                  | SD-034-52       | Self-Tapping Screw 8-32 x 1 Hex Washer Hd., Type T.....                 | 1    |
| 2                  | 00-417934-000G1 | Block Assy. - Porcelain.....  | 1    |
| 3                  | SD-032-07       | Self-Tapping Screw 10-24 x 1/2 Hex Washer Hd., Type TT.....             | 4    |
| 4                  | 00-411497-000C5 | Contactactor (3-Pole).....  | 2    |
| 5                  | 00-410472-00008 | Block - Terminal (3-Pole).....  | 1    |
| 6                  | SD-032-07       | Self-Tapping Screw 10-24 x 1/2 Hex Washer Hd., Type TT.....             | 1    |
| 7                  | 00-417856-00001 | Lug - Grounding (With Set Screw).....                                   | 1    |
| 8                  | 00-410472-00009 | Block - Terminal (1-Pole).....  | 1    |
| 9                  | 00-417934-000G1 | Block Assy. - Porcelain.....  | 1    |
| 10                 | SD-034-52       | Self-Tapping Screw 8-32 x 1 Hex Washer Hd., Type T.....                 | 1    |
| 11                 | 00-422155-00001 | Component Panel.....  | 1    |
| 12                 | SD-034-52       | Self-Tapping Screw 8-32 x 1 Hex Washer Hd., Type T.....                 | 1    |
| 13                 | 00-417934-000G1 | Block Assy. - Porcelain.....  | 1    |
| 14                 | 00-421758-000G2 | Transformer (208-240 V.) (24 V. Output) (Before November 11, 2002)..... | 1    |
| 15                 | 00-421758-000G4 | Transformer Assy. (After November 11, 2002).....                        | 1    |
| 16                 | 00-411497-000C5 | Contactactor (3-Pole).....  | 2    |
| 17                 | SD-034-52       | Self-Tapping Screw 8-32 x 1 Hex Washer Hd., Type T.....                 | 4    |
| 18                 | 00-821875-00002 | Relay - Solid State (50 Amp.).....                                      | 2    |
| 19                 | 00-410472-00008 | Block - Terminal (3-Pole).....  | 1    |
| 20                 | SD-032-07       | Self-Tapping Screw 10-24 x 1/2 Hex Washer Hd., Type TT.....             | 1    |
| 21                 | 00-417856-00001 | Lug - Grounding (With Set Screw).....                                   | 1    |
| 22                 | 00-410472-00009 | Block - Terminal (1-Pole).....  | 1    |
| 23                 | 00-417934-000G1 | Block Assy. - Porcelain.....  | 1    |
| 24                 | SD-034-52       | Self-Tapping Screw 8-32 x 1 Hex Washer Hd., Type T.....                 | 1    |
| 25                 | 00-422155-00001 | Component Panel.....  | 1    |
| 26                 | SD-032-07       | Self-Tapping Screw 10-24 x 1/2 Hex Washer Hd., Type TT.....             | 4    |
| 27                 | FE-019-40       | Fuse (15 Amp., 300 V.).....   | 2    |
| 28                 | FE-023-55       | Holder - Fuse (15 Amp., 300 V.).....                                    | 2    |

|    |                 |                         |    |                 |                            |
|----|-----------------|-------------------------|----|-----------------|----------------------------|
| 31 | 00-424172-00001 | Leg – Set (PTD)         | 40 | 00-355154-00002 | Pan - Drip                 |
| 32 | 00-424172-00002 | Leg – Set (SST)         | 41 | 00-355154-00003 | Pan - Drip                 |
| 33 | 00-424157-000G7 | Leg (PTD)               | 42 | 00-417063-00001 | Strap                      |
| 34 | 00-342150-00005 | Leg (For Double Stack)  | 43 | 00-357093-00001 | Ring - Locking             |
| 35 | 00-343634-00001 | Caster                  | 44 | 00-288946-00002 | Foot                       |
| 36 | 00-343634-00002 | Caster                  | 45 | SC-113-76       | Screw                      |
| 37 | 00-357047-00001 | Caster - Swivel         | 46 | 00-425428-00001 | Foot (Adjustable)          |
| 38 | 00-357047-00002 | Caster - Swivel         | 47 | 00-357919-00001 | Kit - Door Seal (Flexible) |
| 39 | 00-346357-00001 | Thermostat – High Limit |    |                 |                            |

**PARTS NOT ILLUSTRATED**



PL-55974

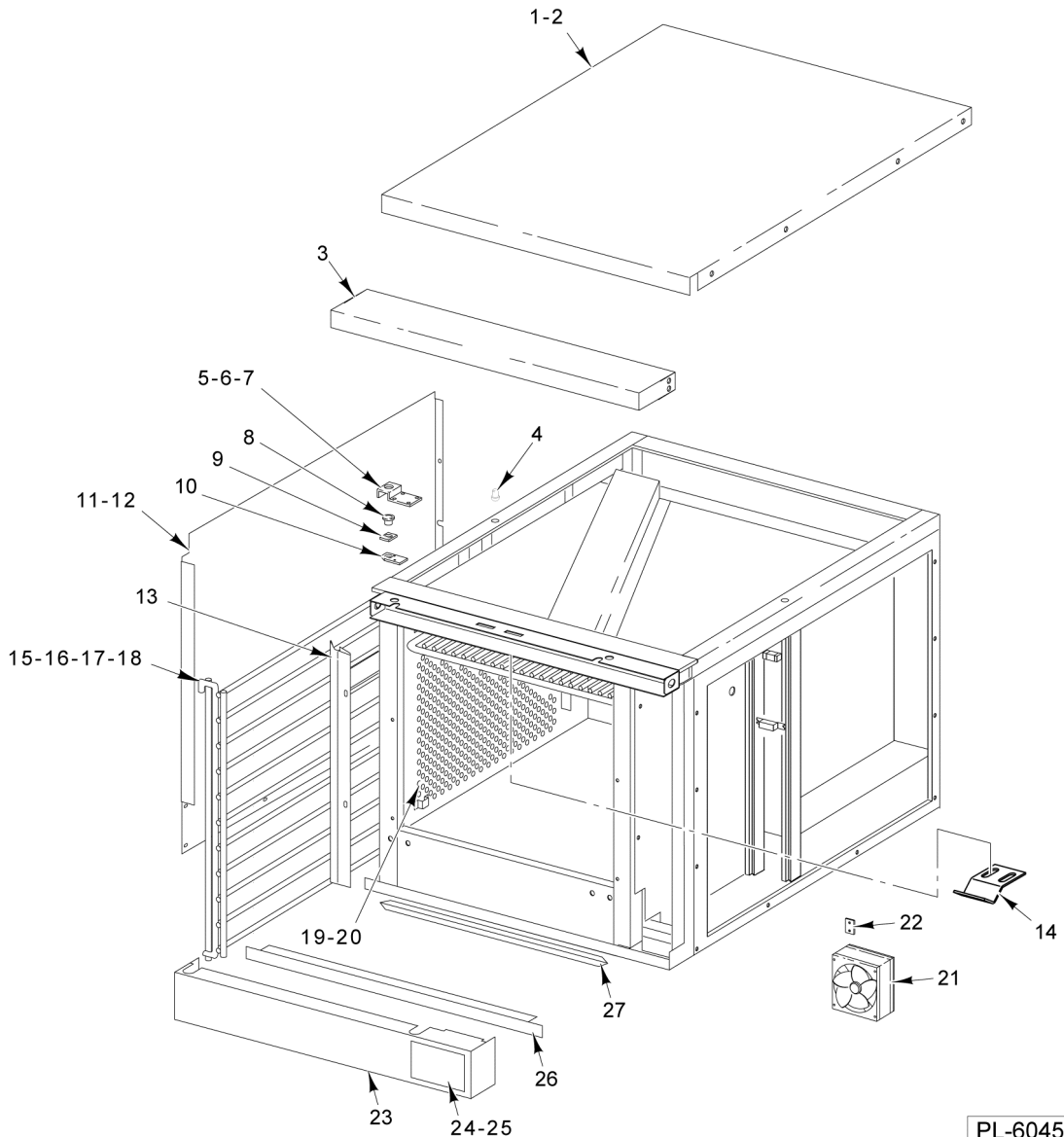
**OVEN PANELS  
(LH SIDE)  
(PREVIOUS CONSTRUCTION)**

**OVEN PANELS  
(LH SIDE)  
(PREVIOUS CONSTRUCTION)**

| ILLUS.<br>PL-55974 | PART NO.        | NAME OF PART  | AMT. |
|--------------------|-----------------|---|------|
| 1                  | 00-424141-00002 | Top (SST) (ML-126743, ML-126744, & ML-126745).....                | 1    |
| 2                  | 00-424229-00002 | Top (SST) (ML-126746, ML-126747, & ML-126748).....                | 1    |
| 3                  | 00-421799-00001 | Top - Front.....  | 1    |
| 4                  | 00-339337-00001 | Stud - Locating.....  | 2    |
| 5                  | 00-353484-00001 | Plate - Retainer.....   | 2    |
| 6                  | SC-053-41       | Mach. Screw 1/4-20 x 1/2 Slotted Truss Hd. (SST).....             | 4    |
| 7                  | NS-038-08       | Lock Nut 1/4-20 x 1 Hex.....                                      | 4    |
| 8                  | 00-347080-00002 | Bearing - Door Shaft.....   | 2    |
| 9                  | 00-353482-00001 | Spacer.....   | 2    |
| 10                 | 00-353483-00001 | Plate - Upper Door Bearing.....                                   | 2    |
| 11                 | 00-424142-00002 | Panel - Outer (SST) (LH) (ML-126743, ML-126744, & ML-126745)..... | 1    |
| 12                 | 00-424230-00002 | Panel - Outer (SST) (LH) (ML-126746, ML-126747, & ML-126748)..... | 1    |
| 13                 | 00-423842-000G1 | Seal - Vertical Door (Set) (LH & RH).....                         | 1    |
| 14                 | NS-038-03       | Lock Nut 10-32 SP.....  | 2    |
| 15                 | 00-342141-00001 | Rack - Support (LH) (ML-126743, ML-126744, & ML-126745).....      | 1    |
| 16                 | 00-342141-00002 | Rack - Support (RH) (ML-126743, ML-126744, & ML-126745).....      | 1    |
| 17                 | 00-342141-00003 | Rack - Support (LH) (ML-126746, ML-126747, & ML-126748).....      | 1    |
| 18                 | 00-342141-00004 | Rack - Support (RH) (ML-126746, ML-126747, & ML-126748).....      | 1    |
| 19                 | 00-913102-00222 | Kit - Cavity Assy. (Side).....                                    | 1    |
| 20                 | 00-913102-00223 | Kit - Cavity Assy. (Side) (Porcelain).....                        | 1    |
| 21                 | 00-347545-00001 | Catch Assy. - Door.....   | 1    |
| 22                 | 00-423848-00001 | Shim - Door Strike.....   | AR   |
| 23                 | 00-423766-000G1 | Trim - Bottom W/Access Door Assy. (Incls. Items 24 & 25).....     | 1    |
| 24                 | 00-423758-00001 | Door - Access Trim.....   | 1    |
| 25                 | 00-425199-00001 | Fastener - Nylon (Push-In).....                                   | 2    |
| 26                 | 00-424865-00001 | Cover - Trim.....   | 1    |
| 27                 | 00-357507-00001 | Seal - Horizontal Door (30-1/2 In. Long) (Top & Bottom).....      | 2    |
| 28                 | 00-424940-00002 | Fan - Cooling (230 V.).....                                       | 1    |
| 29                 | 00-425433-00001 | Fan - Clip.....   | 1    |
| 30                 | SC-115-51       | Mach. Screw 10-32 x 1/2 Phil. Truss Hd.....                       | 2    |
| 31                 | 00-424172-00001 | Leg - Set (25-3/4 In.) (PTD).....                                 | 1    |
| 32                 | 00-424172-00002 | Leg - Set (25-3/4 In.) (SST).....                                 | 1    |
| 33                 | 00-424157-000G7 | Leg Assembly for Caster and Foot (Painted Black).....             | 4    |
| 34                 | 00-342150-00005 | Leg (8 In.) (Double Stack).....                                   | 4    |
| 35                 | 00-343634-00001 | Caster (With Brake).....  | 2    |
| 36                 | 00-343634-00002 | Caster (Without Brake).....                                       | 2    |
| 37                 | 00-357047-00001 | Caster - Swivel (Without Brake).....                              | 2    |
| 38                 | 00-357047-00002 | Caster - Swivel (With Brake).....                                 | 2    |
| 39                 | 00-346357-00001 | Thermostat - High Limit (Thermodisc).....                         | 1    |
| 40                 | 00-355154-00002 | Pan - Drip (VC4).....   | 1    |
| 41                 | 00-355154-00003 | Pan - Drip (VC6).....   | 1    |
| 42                 | 00-417063-00001 | Strap - Tie Down.....   | 4    |
| 43                 | 00-357093-00001 | Ring - Locking (Used with Item 33).....                           | 4    |
| 44                 | 00-288946-00002 | Foot - Adjustable (1-5/8) (SST) (Used with Item 33).....          | 4    |
| 45                 | SC-113-76       | Cap Screw 1/4-20 x 1 Hex Hd (Used with legs).....                 | 16   |
| 46                 | 00-425428-00001 | Foot - Adjustable (Used with Item 34).....                        | 4    |
| 47                 | 00-357919-00001 | Kit - Door Seal.....  | 1    |

|    |                 |                         |    |                 |                            |
|----|-----------------|-------------------------|----|-----------------|----------------------------|
| 28 | 00-424172-00001 | Leg – Set (PTD)         | 37 | 00-355154-00002 | Pan - Drip                 |
| 29 | 00-424172-00002 | Leg – Set (SST)         | 38 | 00-355154-00003 | Pan - Drip                 |
| 30 | 00-424157-000G7 | Leg (PTD)               | 39 | 00-417063-00001 | Strap                      |
| 31 | 00-342150-00005 | Leg (For Double Stack)  | 40 | 00-357093-00001 | Ring - Locking             |
| 32 | 00-343634-00001 | Caster                  | 41 | 00-288946-00002 | Foot                       |
| 33 | 00-343634-00002 | Caster                  | 42 | SC-113-76       | Screw                      |
| 34 | 00-357047-00001 | Caster - Swivel         | 43 | 00-425428-00001 | Foot (Adjustable)          |
| 35 | 00-357047-00002 | Caster - Swivel         | 44 | 00-357919-00001 | Kit - Door Seal (Flexible) |
| 36 | 00-346357-00001 | Thermostat – High Limit |    |                 |                            |

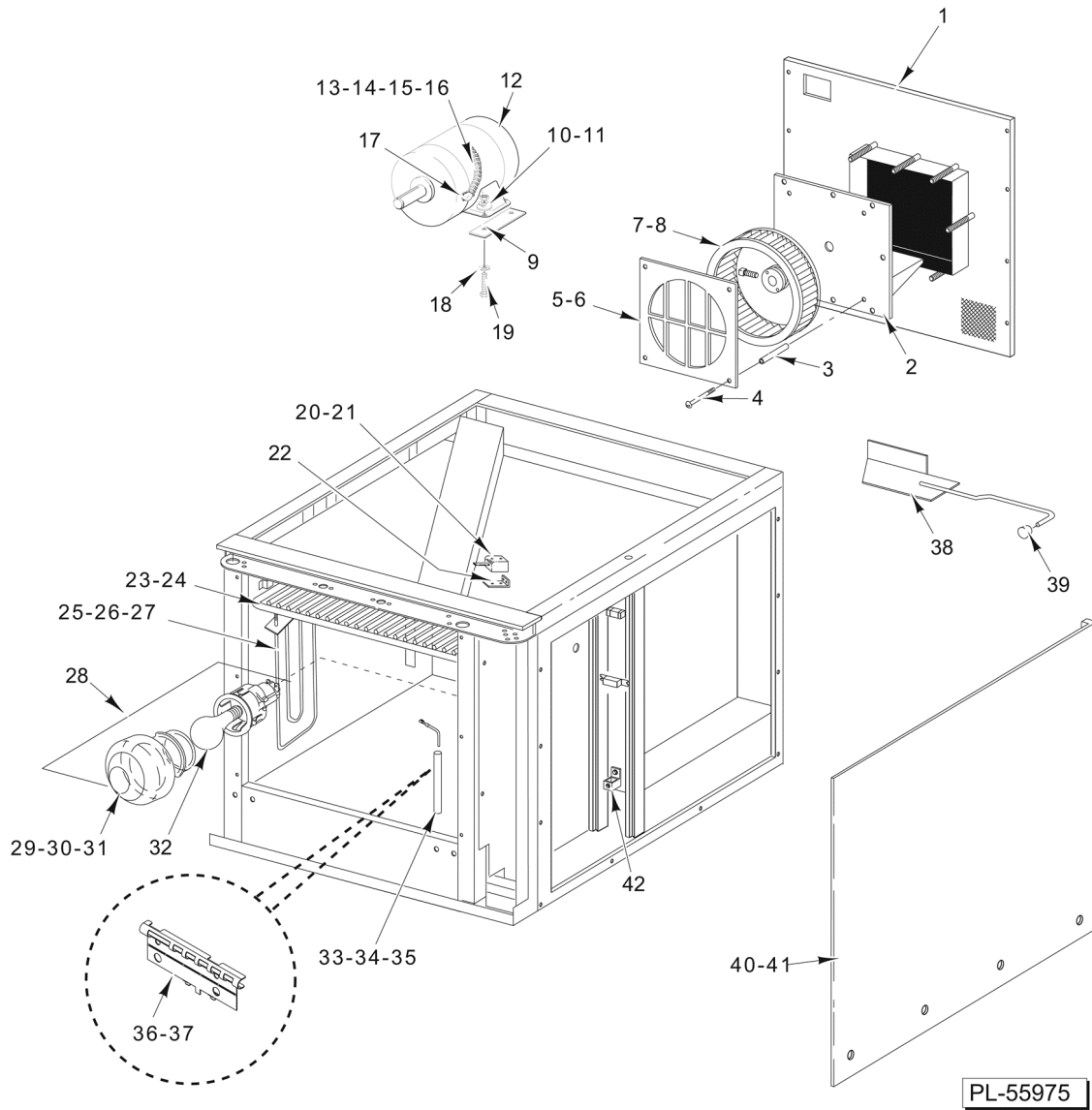
**PARTS NOT ILLUSTRATED**



**OVEN PANELS  
(LH SIDE)  
(CURRENT CONSTRUCTION)**

**OVEN PANELS  
(LH SIDE)  
(CURRENT CONSTRUCTION)**

| ILLUS.<br>PL-60452 | PART NO.        | NAME OF PART   | AMT. |
|--------------------|-----------------|--|------|
| 1                  | 00-424141-00002 | Top (SST) (ML-126743, ML-126744, & ML-126745).....           | 1    |
| 2                  | 00-424229-00002 | Top (SST) (ML-126746, ML-126747, & ML-126748).....           | 1    |
| 3                  | 00-421799-00001 | Top - Front.....   | 1    |
| 4                  | 00-339337-00001 | Stud - Locating.....   | 2    |
| 5                  | 00-353484-00001 | Plate - Retainer.....  | 2    |
| 6                  | SC-053-41       | Mach. Screw 1/4-20 x 1/2 Slotted Truss Hd. (SST).....        | 4    |
| 7                  | NS-038-08       | Lock Nut 1/4-20 x 1 Hex.....                                 | 4    |
| 8                  | 00-347080-00002 | Bearing - Door Shaft.....                                    | 2    |
| 9                  | 00-353482-00001 | Spacer.....  | 2    |
| 10                 | 00-353483-00001 | Plate - Upper Door Bearing.....                              | 2    |
| 11                 | 00-499302-00001 | Side - Left Body (ML-126743, ML-126744, & ML-126745).....    | 1    |
| 12                 | 00-499303-00001 | Side - Left Body (ML-126746, ML-126747, & ML-126748).....    | 1    |
| 13                 | 00-423842-000G1 | Seal - Vertical Door (Set) (LH & RH).....                    | 1    |
| 14                 | 00-497585-00001 | Plate - Strike.....  | 1    |
| 15                 | 00-428104-00001 | Guide - Rack (LH) (ML-126746, ML-126747, & ML-126748).....   | 1    |
| 16                 | 00-428104-00002 | Guide - Rack (RH) (ML-126743, ML-126744, & ML-126745).....   | 1    |
| 17                 | 00-428104-00003 | Guide - Rack (LH) (ML-126743, ML-126744, & ML-126745).....   | 1    |
| 18                 | 00-428104-00004 | Guide - Rack (RH) (ML-126746, ML-126747, & ML-126748).....   | 1    |
| 19                 | 00-913102-00222 | Kit - Cavity Assy. (Side).....                               | 1    |
| 20                 | 00-913102-00223 | Kit - Cavity Assy. (Side) (Porcelain).....                   | 1    |
| 21                 | 00-424940-00002 | Fan - Cooling (230 V.).....                                  | 1    |
| 22                 | 00-425433-00001 | Fan - Clip.....  | 1    |
| 23                 | 00-499299-000G1 | Trim - Bottom W/Access Door (Incls. Items 24 & 25).....      | 1    |
| 24                 | 00-499297-00001 | Door - Lower Access Trim.....                                | 1    |
| 25                 | 00-425199-00001 | Fastener - Nylon (Push-In).....                              | 2    |
| 26                 | 00-424865-00001 | Cover - Trim.....  | 1    |
| 27                 | 00-357507-00001 | Seal - Horizontal Door (30-1/2 In. Long) (Top & Bottom)..... | 2    |
| 28                 | 00-424172-00001 | Leg - Set (25-3/4 In.) (PTD).....                            | 1    |
| 29                 | 00-424172-00002 | Leg - Set (25-3/4 In.) (SST).....                            | 1    |
| 30                 | 00-424157-000G7 | Leg Assembly for Caster and Foot (Painted Black).....        | 4    |
| 31                 | 00-342150-00005 | Leg (8 In.) (Double Stack).....                              | 4    |
| 32                 | 00-343634-00001 | Caster (With Brake).....                                     | 2    |
| 33                 | 00-343634-00002 | Caster (Without Brake).....                                  | 2    |
| 34                 | 00-357047-00001 | Caster - Swivel (Without Brake).....                         | 2    |
| 35                 | 00-357047-00002 | Caster - Swivel (With Brake).....                            | 2    |
| 36                 | 00-346357-00001 | Thermostat - High Limit (Thermodisc).....                    | 1    |
| 37                 | 00-355154-00002 | Pan - Drip (VC4).....  | 1    |
| 38                 | 00-355154-00003 | Pan - Drip (VC6).....  | 1    |
| 39                 | 00-417063-00001 | Strap - Tie Down.....  | 4    |
| 40                 | 00-357093-00001 | Ring - Locking (Use with Item 30).....                       | 4    |
| 41                 | 00-288946-00002 | Foot - Adjustable (1-5/8) (SST) (Use with Item 30).....      | 4    |
| 42                 | SC-113-76       | Cap Screw 1/4-20 x 1 Hex Hd (Use with legs).....             | 16   |
| 43                 | 00-425428-00001 | Foot - Adjustable (Use with Item 31).....                    | 4    |
| 44                 | 00-357919-00001 | Kit - Door Seal.....   | 1    |

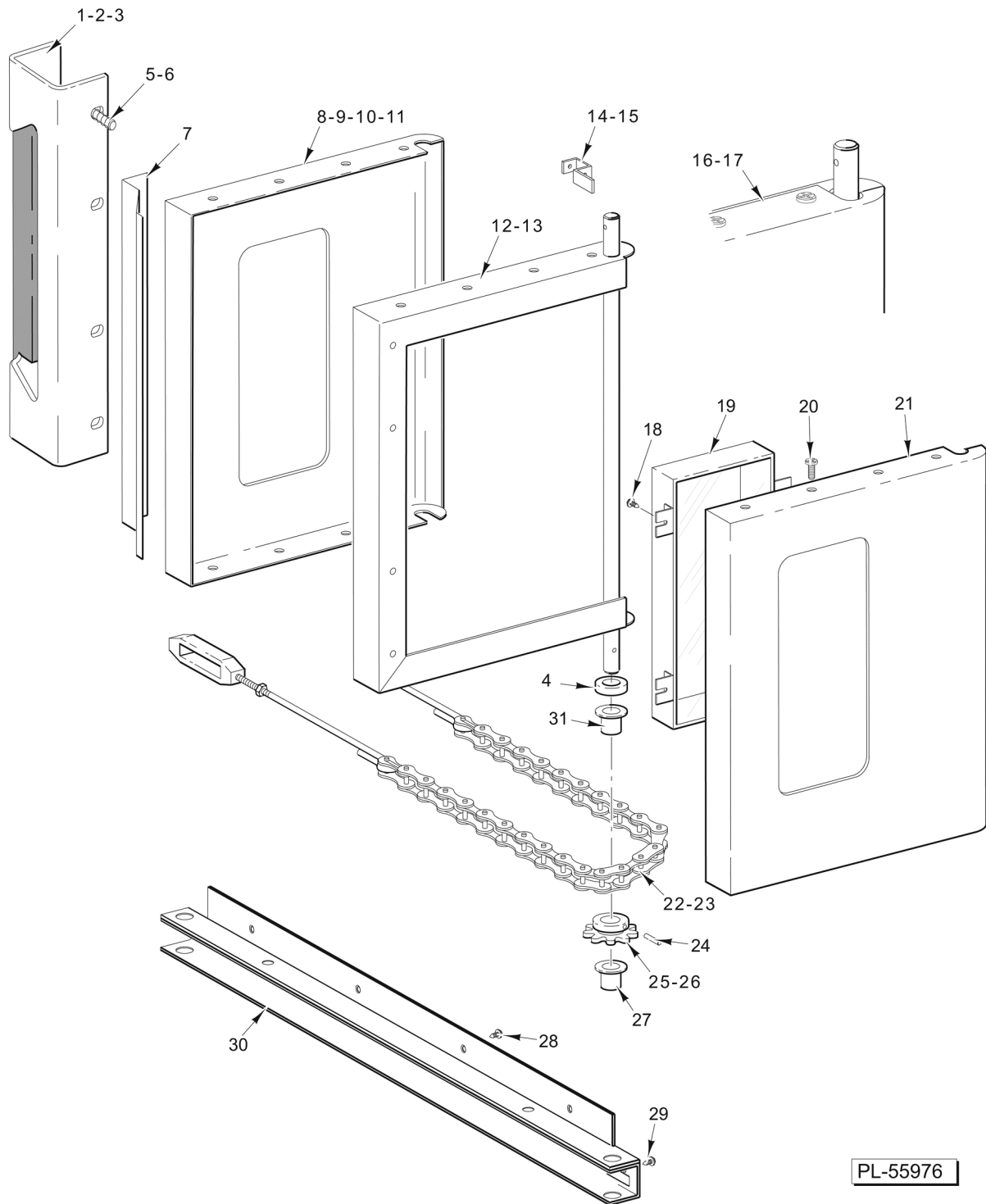


**OVEN PANELS  
(RH SIDE)**



## OVEN PANELS (RH SIDE)

| ILLUS.<br>PL-55975 | PART NO.        | NAME OF PART  | AMT. |
|--------------------|-----------------|---|------|
| 1                  | 00-426839-000G1 | Panel Assy. - Back.....   | 1    |
| 2                  | 00-423289-000G1 | Motor Mount.....  | 1    |
| 3                  | 00-411289-00004 | Spacer - Fan Housing.....   | 4    |
| 4                  | SC-120-15       | Mach. Screw 1/4-20 x 4 Rd. Hd.....  | 4    |
| 5                  | 00-411136-00004 | Cover - Fan (60 Hz.).....   | 1    |
| 6                  | 00-411136-00003 | Cover - Fan (50 Hz.).....   | 1    |
| 7                  | 00-415780-00003 | Wheel - Blower (60 Hz.).....  | 1    |
| 8                  | 00-415780-00005 | Wheel - Blower (50 Hz.).....  | 1    |
| 9                  | 00-358723-00001 | Spacer - Steel.....   | 2    |
| 10                 | WS-029-46       | Washer.....   | 4    |
| 11                 | NS-046-86       | Nut Assy. 5/16-18 KEPS Hex.....   | 4    |
| 12                 | 00-358516-00002 | Motor 1/2 Hp. (2-Speed) (208-240 V., 50/60 Hz., 1 Ph.).....                 | 1    |
| 13                 | FE-006-05       | Lock Nut 1/2.....   | 1    |
| 14                 | 00-414540-00B35 | Conduit 3/8 x 35 In. Lg.....  | 1    |
| 15                 | 00-342285-00001 | Bushing - Plastic.....  | 2    |
| 16                 | FE-002-03       | Connector - Conduit 3/8 TS Straight.....                                    | 1    |
| 17                 | FE-002-52       | Connector - Conduit 3/8 TS 90 Degree.....                                   | 1    |
| 18                 | WS-029-46       | Washer.....   | 4    |
| 19                 | SC-113-65       | Cap Screw 5/16-18 x 1-1/4 Hex Hd.....                                       | 4    |
| 20                 | 00-411496-000F1 | Switch - Micro.....   | 1    |
| 21                 | SD-034-47       | Self-Tapping Screw 6-32 x 1 Hex Washer Hd., Type T.....                     | 2    |
| 22                 | 00-425324-00001 | Bracket - Door Switch.....  | 1    |
| 23                 | 00-411265-00022 | Rack Assy. (ML-126743, ML-126744, & ML-126745).....                         | AR   |
| 24                 | 00-411265-00010 | Rack Assy. (ML-126746, ML-126747, & ML-126748).....                         | AR   |
| 25                 | 00-426635-00001 | Element (2000 Watts) (208 V.).....  | 6    |
| 26                 | 00-426635-00002 | Element (2000 Watts) (240 V.).....  | 6    |
| 27                 | 00-426635-00003 | Element (2000 Watts) (480 V.).....  | 6    |
| 28                 | 00-913102-00032 | Kit - Lamp & Housing (250 V.).....  | 2    |
| 29                 | 00-423832-00001 | Cover - Light (Previous Construction).....                                  | 2    |
| 30                 | 01-1000V7-00027 | Lamp - Oven (Complete) (Lens, Base, & Bulb) Use Lens Only.....              | 1    |
| 31                 | 00-357036-00003 | Lens - Lamp.....  | 1    |
| 32                 | 00-342766-00002 | Light Bulb - Oven (40 Watts) (240 V.).....                                  | 2    |
| 33                 | 00-353589-00001 | Probe Temperature (SST) (ML-126743, ML-126744, ML-126746, & ML-126747)..... | 1    |
| 34                 | 00-920883-00001 | Probe (ML-126745 & ML-126748).....  | 1    |
| 35                 | 00-342132-00002 | Guard - Probe.....  | 1    |
| 36                 | SD-032-07       | Self-Tapping Screw 10-24 x 1/2 Hex Washer Hd., Type TT.....                 | 2    |
| 37                 | 00-959753-00001 | Probe Guard & Retainer.....   | 1    |
| 38                 | 00-426804-000G1 | Vent Slide Assy. (Incls. Item 39).....                                      | 1    |
| 39                 | 00-341564-00003 | Handle.....   | 1    |
| 40                 | 00-424140-00002 | Panel - Outer (RH) (SST) (ML-126743, ML-126744, & ML-126745).....           | 1    |
| 41                 | 00-424228-00002 | Panel - Outer (RH) (SST) (ML-126746, ML-126747, & ML-126748).....           | 1    |
| 42                 | 00-417856-00001 | Lug - Grounding (With Set Screw).....                                       | 1    |

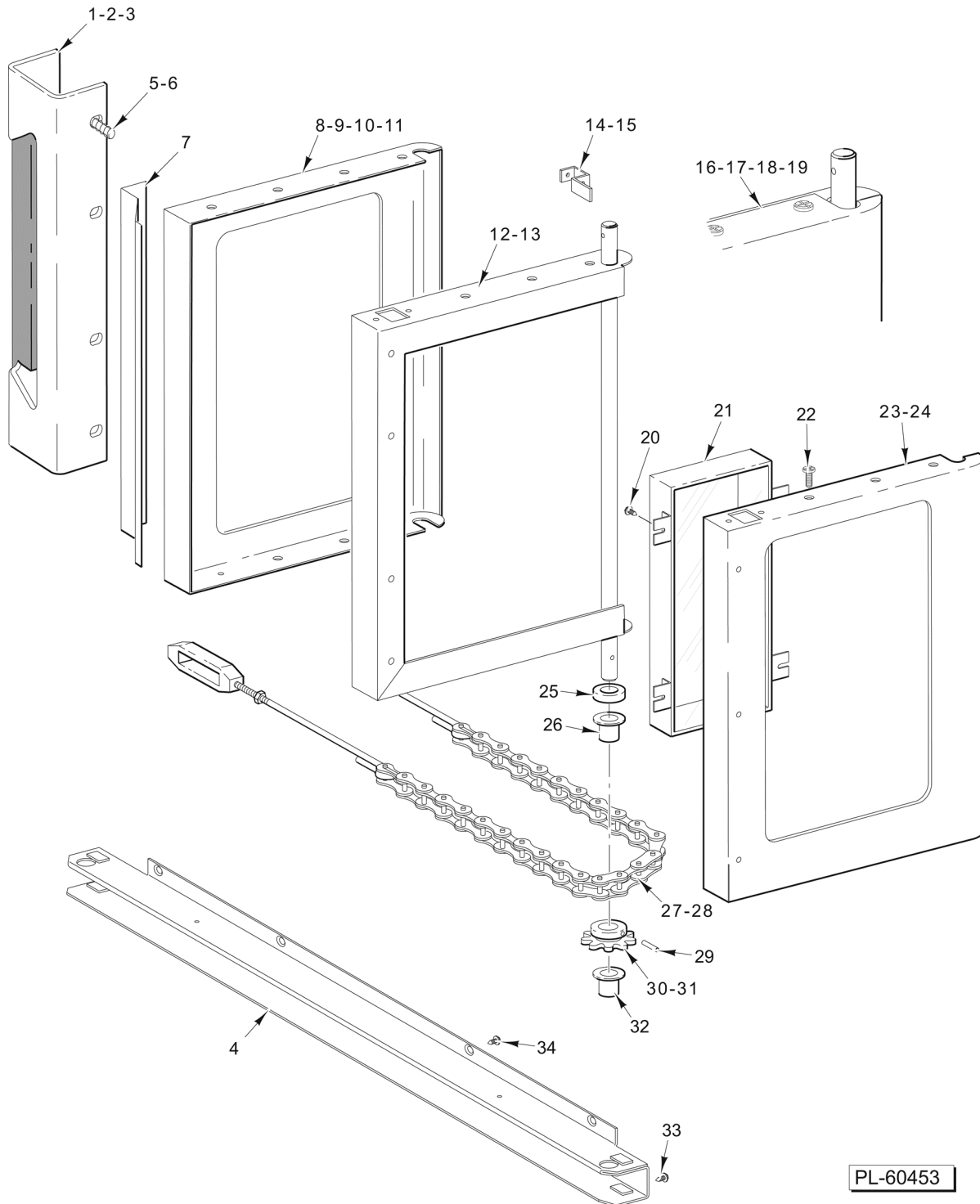


PL-55976

**SIMULTANEOUSLY OPENING DOOR ASSEMBLY  
(PREVIOUS CONSTRUCTION)**

**SIMULTANEOUSLY OPENING DOOR ASSEMBLY  
(PREVIOUS CONSTRUCTION)**

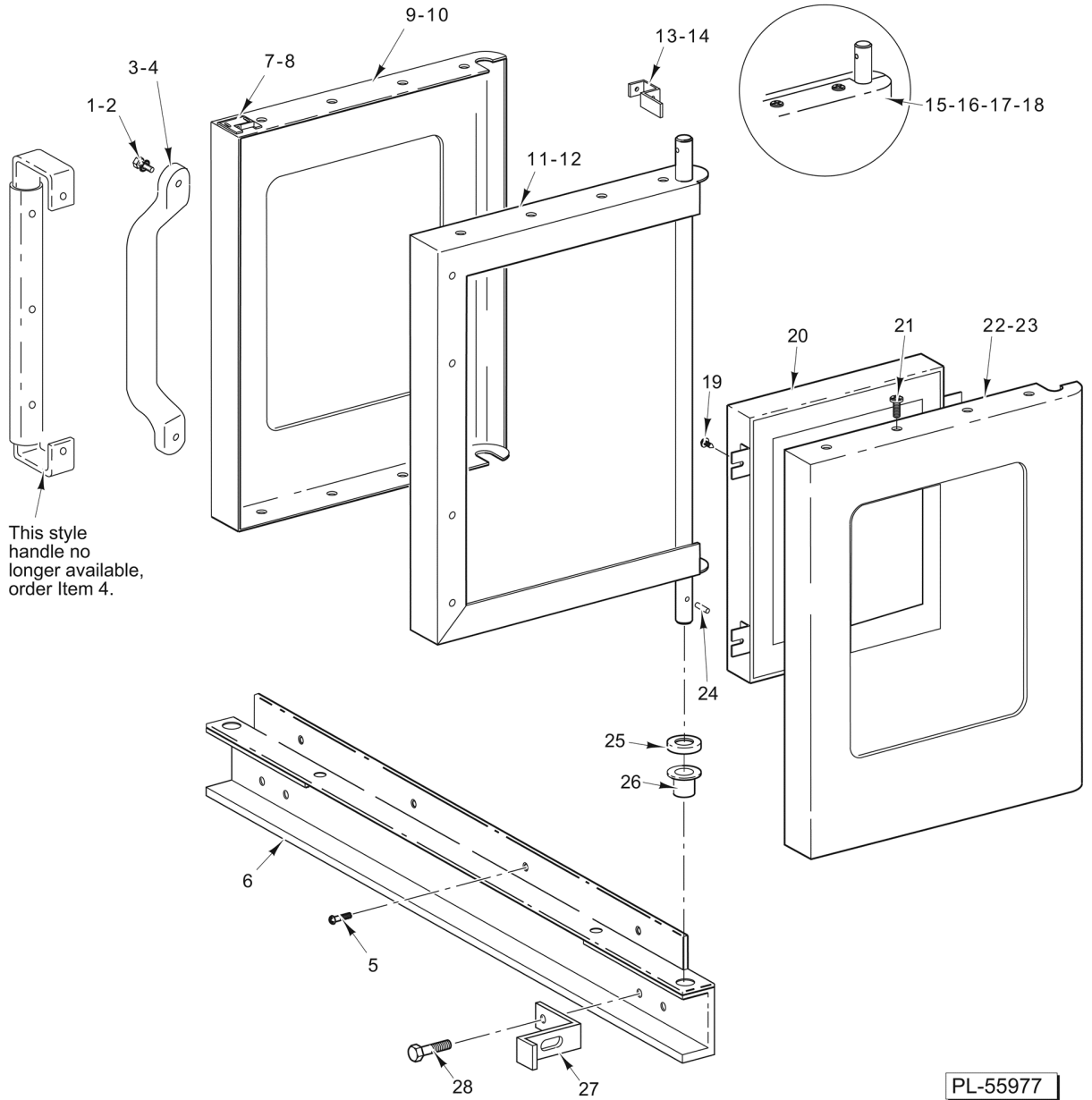
| ILLUS.<br>PL-55976 | PART NO.        | NAME OF PART   | AMT. |
|--------------------|-----------------|--|------|
| 1                  | 00-356562-00001 | Handle - Door.....   | 1    |
| 2                  | 00-421923-000G1 | Grip - Set.....  | 1    |
| 3                  | SC-113-98       | Mach. Screw 10-24 x 1/2 Hex Washer Hd.....                       | 3    |
| 4                  | 00-343143-00002 | Washer.....  | 2    |
| 5                  | SC-041-01       | Cap Screw 1/4-20 x 3/4 Hex Hd. (SST).....                        | 4    |
| 6                  | WL-019-37       | Lockwasher 1/4 Internal.....                                     | 4    |
| 7                  | 00-356550-00001 | Latch - Friction.....  | 1    |
| 8                  | 00-421913-00003 | Panel - Outer Door (LH) (W/Window).....                          | 1    |
| 9                  | 00-421913-00001 | Panel - Outer Door (RH) (W/Window).....                          | 1    |
| 10                 | 00-421913-00004 | Panel - Outer Door (LH) (W/O Window).....                        | 1    |
| 11                 | 00-421913-00002 | Panel - Outer Door (RH) (W/O Window).....                        | 1    |
| 12                 | 00-421904-000G2 | Frame Assy. - Door (LH).....                                     | 1    |
| 13                 | 00-421905-000G1 | Frame Assy. - Door (RH).....                                     | 1    |
| 14                 | 00-424163-00001 | Lever - Door Switch.....   | 1    |
| 15                 | SD-034-52       | Self-Tapping Screw 8-32 x 1 Hex Washer Hd., Type T.....          | 1    |
| 16                 | 00-424730-00001 | Door Assy. (LH) (W/Window).....                                  | 1    |
| 17                 | 00-424731-00001 | Door Assy. (RH) (W/Window).....                                  | 1    |
| 18                 | SD-034-62       | Self-Tapping Screw 10-32 x 1/2 Hex Washer Hd., Type T.....       | 4    |
| 19                 | 00-358534-00001 | Window Assy.....   | 1    |
| 20                 | SD-034-22       | Self-Tapping Screw 10-16 x 5/8 Phil. Truss Hd., Type AB.....     | 9    |
| 21                 | 00-358532-00001 | Panel - Inner Door (W/Window).....                               | 1    |
| 22                 | 00-343608-00002 | Door Chain & Turnbuckle Assy.....                                | 2    |
| 23                 | 00-352667-00001 | Cable - Door Stop.....   | 1    |
| 24                 | PS-004-11       | Spirol Pin 3/16 x 1-1/4 Heavy.....                               | 2    |
| 25                 | 00-342166-00001 | Sprocket - Door Shaft.....                                       | 2    |
| 26                 | SC-047-28       | Set Screw 1/4-28 x 3/8 Hex Hdls., Cup Pt. (Use Loctite 242)..... | 2    |
| 27                 | 00-347080-00002 | Bearing - Door Shaft.....  | 2    |
| 28                 | SC-022-40       | Mach. Screw 1/4-20 x 3/4 Phil. Flat Hd. (SST).....               | 4    |
| 29                 | SC-113-90       | Mach. Screw 1/4-20 x 3/4 Hex Hd.....                             | 2    |
| 30                 | 00-357846-00001 | Channel - Door Sill Weldment.....                                | 1    |
| 31                 | 00-347080-00002 | Bearing - Door Shaft.....  | 2    |



**SIMULTANEOUSLY OPENING DOOR ASSEMBLY  
(CURRENT CONSTRUCTION)**

**SIMULTANEOUSLY OPENING DOOR ASSEMBLY  
(CURRENT CONSTRUCTION)**

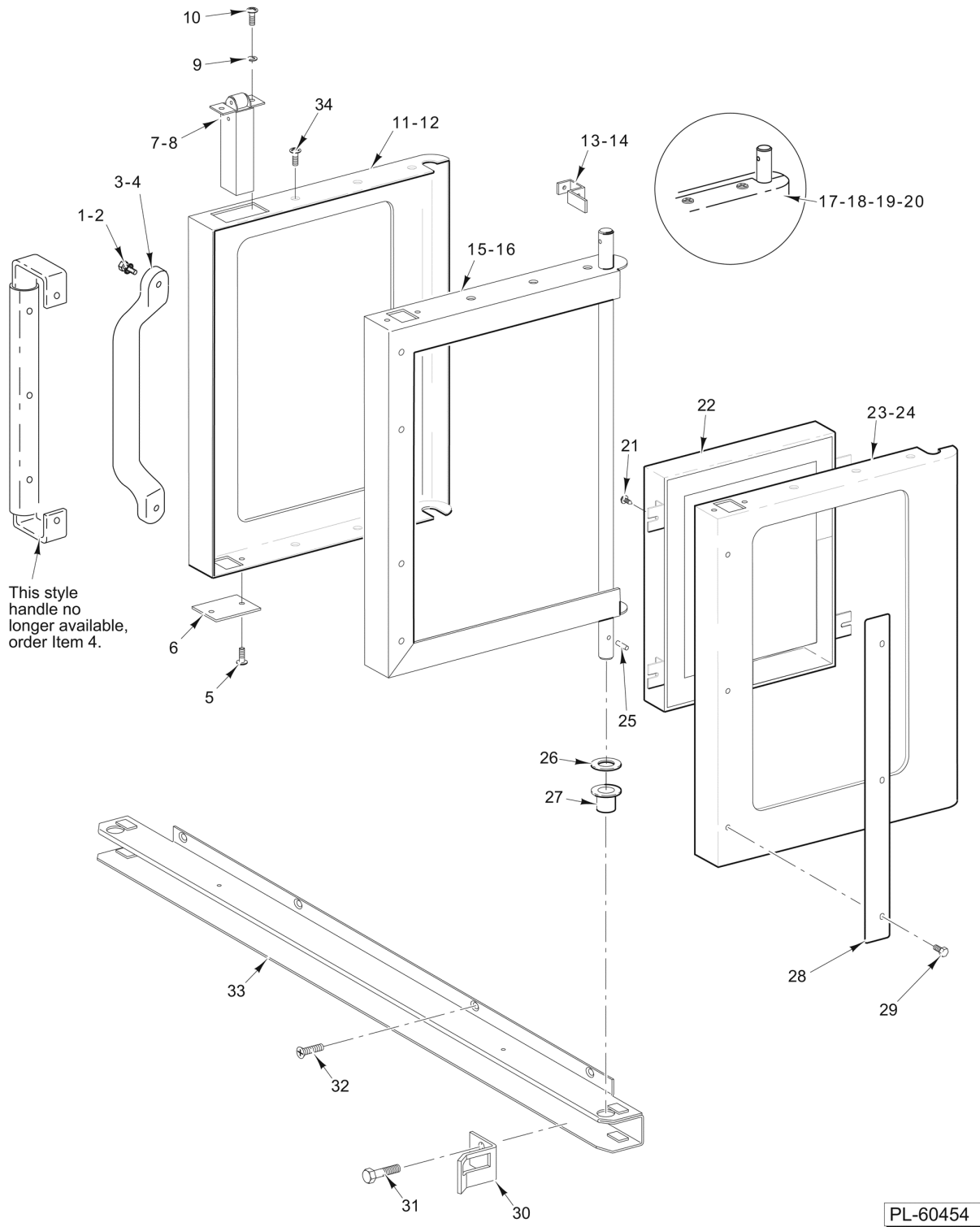
| ILLUS.<br>PL-60453 | PART NO.        | NAME OF PART   | AMT. |
|--------------------|-----------------|--|------|
| 1                  | 00-356562-00001 | Handle - Door.....   | 1    |
| 2                  | 00-421923-000G1 | Grip - Set.....  | 1    |
| 3                  | SC-113-98       | Mach. Screw 10-24 x 1/2 Hex Washer Hd.....                       | 3    |
| 4                  | 00-499300-000G1 | Channel - Bottom Door Sill.....                                  | 1    |
| 5                  | SC-041-01       | Cap Screw 1/4-20 x 3/4 Hex Hd. (SST).....                        | 4    |
| 6                  | WL-019-37       | Lockwasher 1/4 Internal.....                                     | 4    |
| 7                  | 00-356550-00001 | Latch - Friction.....  | 1    |
| 8                  | 00-421913-00003 | Panel - Outer Door (LH) (W/Window).....                          | 1    |
| 9                  | 00-421913-00001 | Panel - Outer Door (RH) (W/Window).....                          | 1    |
| 10                 | 00-421913-00004 | Panel - Outer Door (LH) (W/O Window).....                        | 1    |
| 11                 | 00-421913-00002 | Panel - Outer Door (RH) (W/O Window).....                        | 1    |
| 12                 | 00-421904-000G2 | Frame Assy. - Door (LH).....                                     | 1    |
| 13                 | 00-421905-000G1 | Frame Assy. - Door (RH).....                                     | 1    |
| 14                 | 00-424163-00001 | Lever - Door Switch.....   | 1    |
| 15                 | SD-034-52       | Self-Tapping Screw 8-32 x 1 Hex Washer Hd., Type T.....          | 1    |
| 16                 | 00-499289-000G1 | Door Assy. (LH) (W/Window).....                                  | 1    |
| 17                 | 00-499289-000G2 | Door Assy. (LH) (W/O Window).....                                | 1    |
| 18                 | 00-499290-000G1 | Door Assy. (RH) (W/Window).....                                  | 1    |
| 19                 | 00-499290-000G2 | Door Assy. (RH) (W/O Window).....                                | 1    |
| 20                 | SD-034-62       | Self-Tapping Screw 10-32 x 1/2 Hex Washer Hd., Type T.....       | 4    |
| 21                 | 00-358534-00001 | Window Assy.....   | 1    |
| 22                 | SD-034-22       | Self-Tapping Screw 10-16 x 5/8 Phil. Truss Hd., Type AB.....     | 9    |
| 23                 | 00-358532-00001 | Panel - Inner Door (W/Window).....                               | 1    |
| 24                 | 00-358533-00003 | Panel - Inner Door (W/O Window).....                             | 1    |
| 25                 | 00-343143-00002 | Washer.....  | 2    |
| 26                 | 00-347080-00002 | Bearing - Door Shaft.....  | 2    |
| 27                 | 00-343608-00002 | Door Chain & Turnbuckle Assy.....                                | 2    |
| 28                 | 00-352667-00001 | Cable - Door Stop.....   | 1    |
| 29                 | PS-004-11       | Spirol Pin 3/16 x 1-1/4 Heavy.....                               | 2    |
| 30                 | 00-342166-00001 | Sprocket - Door Shaft.....                                       | 2    |
| 31                 | SC-047-28       | Set Screw 1/4-28 x 3/8 Hex Hdls., Cup Pt. (Use Loctite 242)..... | 2    |
| 32                 | 00-347080-00002 | Bearing - Door Shaft.....  | 2    |
| 33                 | SC-113-90       | Mach. Screw 1/4-20 x 3/4 Hex Hd.....                             | 2    |
| 34                 | SC-022-40       | Mach. Screw 1/4-20 x 3/4 Phil. Flat Hd. (SST).....               | 4    |



**INDEPENDENTLY OPENING DOOR ASSEMBLY  
(PREVIOUS CONSTRUCTION)**

**INDEPENDENTLY OPENING DOOR ASSEMBLY  
(PREVIOUS CONSTRUCTION)**

| ILLUS.<br>PL-55977 | PART NO.        | NAME OF PART   | AMT. |
|--------------------|-----------------|--|------|
| 1                  | 00-959087-00001 | Screw 1/4-20 x 1-1/4 Black Hd.....                           | 2    |
| 2                  | WL-013-14       | Lockwasher 1/4 Internal Shakeproof.....                      | 2    |
| 3                  | 00-957108-00001 | Handle - Molded (Black).....                                 | 1    |
| 4                  | 00-913102-00179 | Kit - Handle (Incls. Items 1, 2, & 3).....                   | 1    |
| 5                  | SC-022-40       | Mach. Screw 1/4-20 x 3/4 Phil. Flat Hd. (SST).....           | 4    |
| 6                  | 00-357846-00001 | Channel - Door Sill Weldment.....                            | 1    |
| 7                  | 00-423847-00001 | Strike - Door.....   | 1    |
| 8                  | SD-034-22       | Self-Tapping Screw 10-16 x 5/8 Phil. Truss Hd., Type AB..... | 2    |
| 9                  | 00-358600-00001 | Panel - Outer Door (W/Window).....                           | 1    |
| 10                 | 00-358600-00002 | Panel - Outer Door (W/O Window).....                         | 1    |
| 11                 | 00-421905-000G1 | Frame Assy. - Door (RH).....                                 | 1    |
| 12                 | 00-421904-000G2 | Frame Assy. - Door (LH).....                                 | 1    |
| 13                 | 00-424163-00001 | Lever - Door Switch.....                                     | 1    |
| 14                 | SD-034-52       | Self-Tapping Screw 8-32 x 1 Hex Washer Hd., Type T.....      | 1    |
| 15                 | 00-358529-00005 | Door Assy. (LH) (W/Window).....                              | 1    |
| 16                 | 00-358529-00006 | Door Assy. (LH) (W/O Window).....                            | 1    |
| 17                 | 00-358530-00003 | Door Assy. (RH) (W/Window).....                              | 1    |
| 18                 | 00-358530-00004 | Door Assy. (RH) (W/O Window).....                            | 1    |
| 19                 | SD-034-62       | Self-Tapping Screw 10-32 x 1/2 Hex Washer Hd., Type T.....   | 4    |
| 20                 | 00-358534-00001 | Window Assy.....   | 1    |
| 21                 | SD-034-22       | Self-Tapping Screw 10-16 x 5/8 Phil. Truss Hd., Type AB..... | 8    |
| 22                 | 00-358532-00001 | Panel - Inner Door (W/Window).....                           | 1    |
| 23                 | 00-358533-00003 | Panel - Inner Door (W/O Window).....                         | 1    |
| 24                 | PS-004-11       | Spirol Pin 3/16 x 1-1/4 Heavy.....                           | 1    |
| 25                 | 00-343143-00002 | Washer.....  | 2    |
| 26                 | 00-347080-00002 | Bearing - Door Shaft.....                                    | 1    |
| 27                 | 00-424158-00001 | Door Stop.....   | 1    |
| 28                 | SC-113-90       | Mach. Screw 1/4-20 x 3/4 Hex Hd.....                         | 2    |



**INDEPENDENTLY OPENING DOOR ASSEMBLY  
(CURRENT CONSTRUCTION)**



**INDEPENDENTLY OPENING DOOR ASSEMBLY  
(CURRENT CONSTRUCTION)**

| ILLUS.<br>PL-60454 | PART NO.        | NAME OF PART   | AMT. |
|--------------------|-----------------|--|------|
| 1                  | 00-959087-00001 | Screw 1/4-20 x 1-1/4 Black Hd.....                           | 2    |
| 2                  | WL-013-14       | Lockwasher 1/4 Internal Shakeproof.....                      | 2    |
| 3                  | 00-957108-00001 | Handle - Molded (Black).....                                 | 1    |
| 4                  | 00-913102-00179 | Kit - Handle (Incls. Items 1, 2, & 3).....                   | 1    |
| 5                  | SD-034-22       | Self-Tapping Screw 10-16 x 5/8 Phil. Truss Hd., Type AB..... | 2    |
| 6                  | 00-499264-00001 | Plate - Latch Cutout.....                                    | 1    |
| 7                  | 00-497586-00001 | Latch - Door Roller.....                                     | 1    |
| 8                  | 00-347545-00001 | Catch Assy. - Door (Ball Style) (Not Shown).....             | 1    |
| 9                  | WL-019-35       | Lockwasher #10 Internal.....                                 | 2    |
| 10                 | SC-117-73       | Mach. Screw 10-32 x 5/8 Phil. Truss Hd.....                  | 2    |
| 11                 | 00-358600-00001 | Panel - Outer Door (W/Window).....                           | 1    |
| 12                 | 00-358600-00002 | Panel - Outer Door (W/O Window).....                         | 1    |
| 13                 | 00-424163-00001 | Lever - Door Switch.....                                     | 1    |
| 14                 | SD-034-52       | Self-Tapping Screw 8-32 x 1 Hex Washer Hd., Type T.....      | 1    |
| 15                 | 00-421905-000G1 | Frame Assy. - Door (RH).....                                 | 1    |
| 16                 | 00-421904-000G2 | Frame Assy. - Door (LH).....                                 | 1    |
| 17                 | 00-499285-000G1 | Door Assy. (LH) (W/Window).....                              | 1    |
| 18                 | 00-499285-000G2 | Door Assy. (LH) (W/O Window).....                            | 1    |
| 19                 | 00-499286-000G1 | Door Assy. (RH) (W/Window).....                              | 1    |
| 20                 | 00-499286-000G2 | Door Assy. (RH) (W/O Window).....                            | 1    |
| 21                 | SD-034-62       | Self-Tapping Screw 10-32 x 1/2 Hex Washer Hd., Type T.....   | 4    |
| 22                 | 00-358534-00001 | Window Assy.....   | 1    |
| 23                 | 00-358532-00001 | Panel - Inner Door (W/Window).....                           | 1    |
| 24                 | 00-358533-00003 | Panel - Inner Door (W/O Window).....                         | 1    |
| 25                 | PS-004-11       | Spirol Pin 3/16 x 1-1/4 Heavy.....                           | 1    |
| 26                 | 00-343143-00002 | Washer.....  | 2    |
| 27                 | 00-347080-00002 | Bearing - Door Shaft.....                                    | 1    |
| 28                 | 00-357837-00001 | Seal - Door End.....   | 1    |
| 29                 | SD-034-22       | Self-Tapping Screw 10-16 x 5/8 Phil. Truss Hd., Type AB..... | 3    |
| 30                 | 00-499263-00001 | Door Stop.....   | 1    |
| 31                 | SC-113-90       | Mach. Screw 1/4-20 x 3/4 Hex Hd.....                         | 2    |
| 32                 | SC-022-40       | Mach. Screw 1/4-20 x 3/4 Phil. Flat Hd. (SST).....           | 4    |
| 33                 | 00-499300-000G1 | Channel - Bottom Door Sill.....                              | 1    |
| 34                 | SD-034-22       | Self-Tapping Screw 10-16 x 5/8 Phil. Truss Hd., Type AB..... | 8    |

