



WELLS BLOOMFIELD, LLC
2 ERIK CIRCLE, P. O. Box 280 Verdi, NV 89439
telephone: 888-492-2782
fax: 888-492-2783
www.wellsbloomfield.com

PARTS LIST

PL312

BUILT-IN FRYERS WITH SAFETY TEST SYSTEM™ F-556 STS F-856 F-1016

CONTENTS

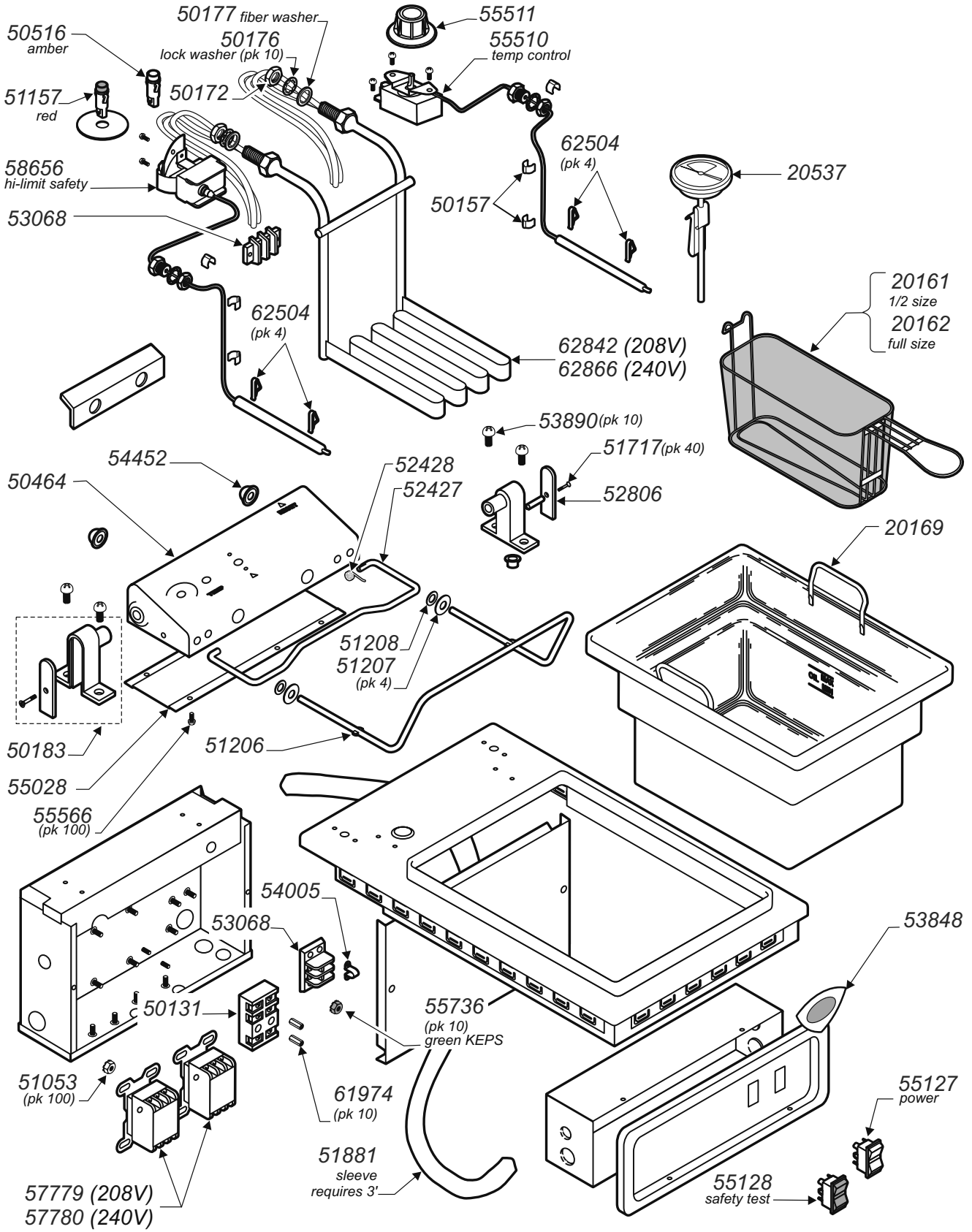
Description	page
Parts List	2
F-556 STS	3
F-856	4
F-1016	6

PRINTED IN UNITED STATES OF AMERICA

PART #	DESCRIPTION	PART #	DESCRIPTION	PART #	DESCRIPTION
OPTIONAL ACCESSORIES		MECHANICAL		HARDWARE, etc.	
20161	FRY BASKET, HALF-SIZE	50183	BRACKET, PIVOT, F-556 856	50157	CLAMP, CAPILLARY
20162	FRY BASKET, FULL-SIZE	50464	CONTROL BOX, F-556 856	50172	NUT, FRYER ELEMENT
20167	FRYPOT, F-1016	51206	BASKET ROD, F-556 856	50176	LOCK WASHER, ELEMENT (pk 10)
20169	FRYPOT, F-556 F-856	51423	BASKET ROD, F-1016	50177	FIBER WASHER, ELEMENT
20287	FRY BASKET, F-1016	52427	SUPPORT ROD, CTRL HEAD	51038	CLIP, TINNEMAN BLK (pk 10)
20537	THERMOMETER STS	52428	SPRING, SUPPORT ROD	51053	NUTS, 8-32 KEPS (pk 100)
		52429	SUPPORT ROD, CTRL HEAD F-1016	51207	WASHER, SS BASKET ROD
		52806	COVER, PIVOT BRACKET	51208	WASHER, NEOPRENE BASKET ROD
		53245	COVER, PIVOT INTERMEDIATE, F-85	51717	SCREW 8-32 x 7/8 PH FL
		53528	CLAMP ELEM LIFT LEFT F-1016	51718	SCREW 8-32 x 3/16 RD (pk 10)
		53891	CLAMP ELEM LIFT RIGHT F-1016	51728	TIE CABLE LG PANDUIT #42
		53848	WELLS TRADE MARK CASTING	53890	SCREW 12-24 x3/4 (pk 10)
ELECTRICAL		54452	RETAINER, BASKET ROD	51881	VARGLAS SLEEVING C-2 5/8 (per ft)
50131	TERMINAL BLOCK 3P	55028	COVER, CONTROL BOX, F-556 856	53935	SCREW #6SMS x 1/4 (pk 100)
50516	INDICATOR LIGHT, AMBER	55034	CONTROL BOX, F-1016	54284	RIVET POP 3/32ID x1/8
50578	TERMINAL BLOCK 3P, F-101	55035	COVER, CONTROL BOX, F-1016	55566	SCREW #6SMS # 1/4 TH SS (pk100)
51157	INDICATOR LIGHT, RED	55511	KNOB, TEMP CONTROL	55736	NUT, 8-32 KEPS GREEN (pk 10)
53068	TERMINAL BLOCK 2P	64625	ELEMENT LIFT ASSY, F-1016	58751	RING WIRE SS .25" x .093"
54005	JUMPER, FLAME SENSOR, F-556			61974	NUT 8-32 7/8" LG ALUM (pk 10)
54131	CONNECTOR WIRE 12-14 GA			62504	CLIP, THERMOBULB (pk 4)
55510	THERMOSTAT, F-556			63665	CLIP THERMOBULB (pk 10)
57779	CONTACTOR, 3P 208V			63738	BOOT, ROCKER SWITCH
55127	SWITCH, POWER LIGHTED				
55128	SWITCH, SAFETY TEST RED				
57780	CONTACTOR, 3P 240V				
58656	THERMO, HI-LIMIT SAFETY				
62842	ELEMENT, 208V, F-556 F-856				
62866	ELEMENT, 240V, F-556 F-856				
62869	ELEMENT, 208V, F-1016				
62870	ELEMENT, 240V, F-1016				
62896	CONNECTOR WIRE 12-14 GA				

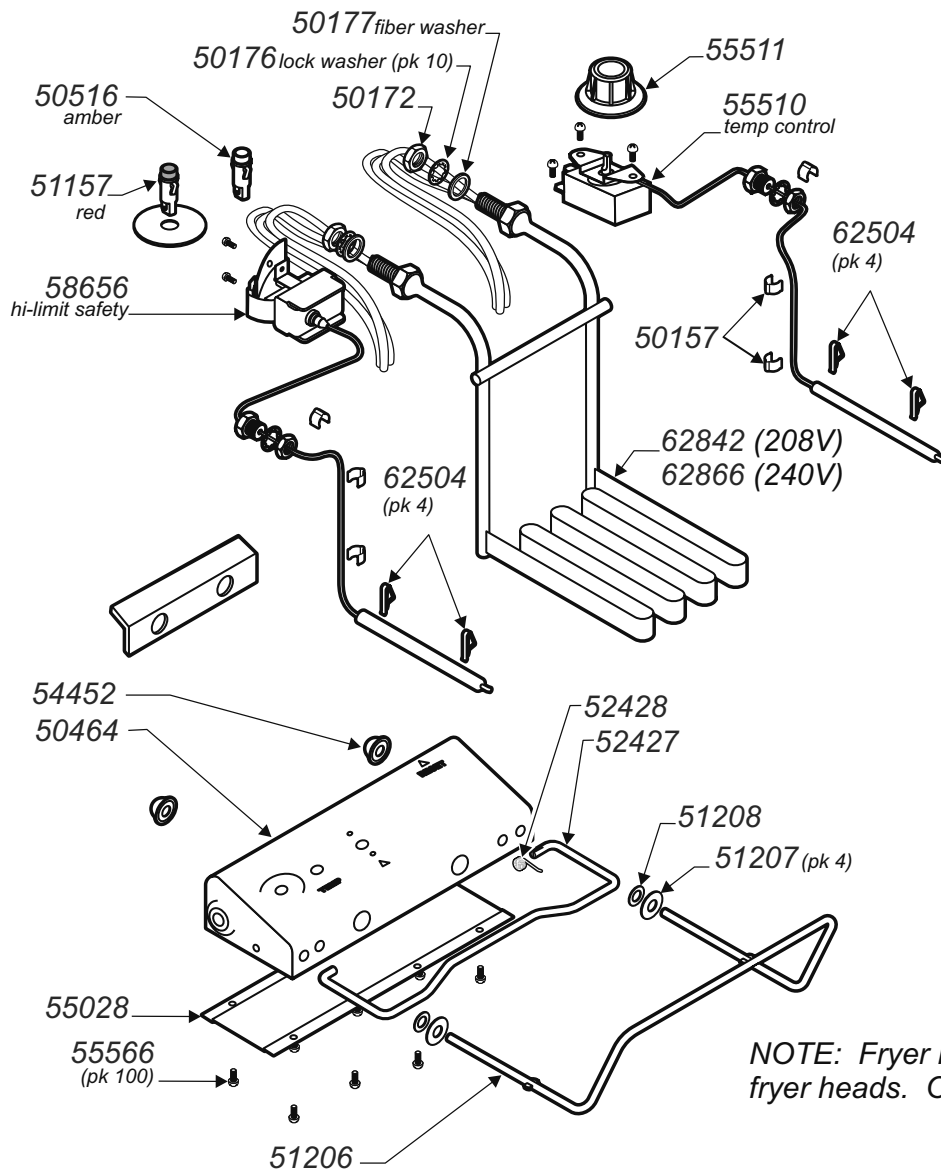
PL312 Service Parts List - Built-In Fryer w/ STS

F-556 STS BUILT-IN SINGLE-HEAD FRYER W/ SAFETY TEST SYSTEM™



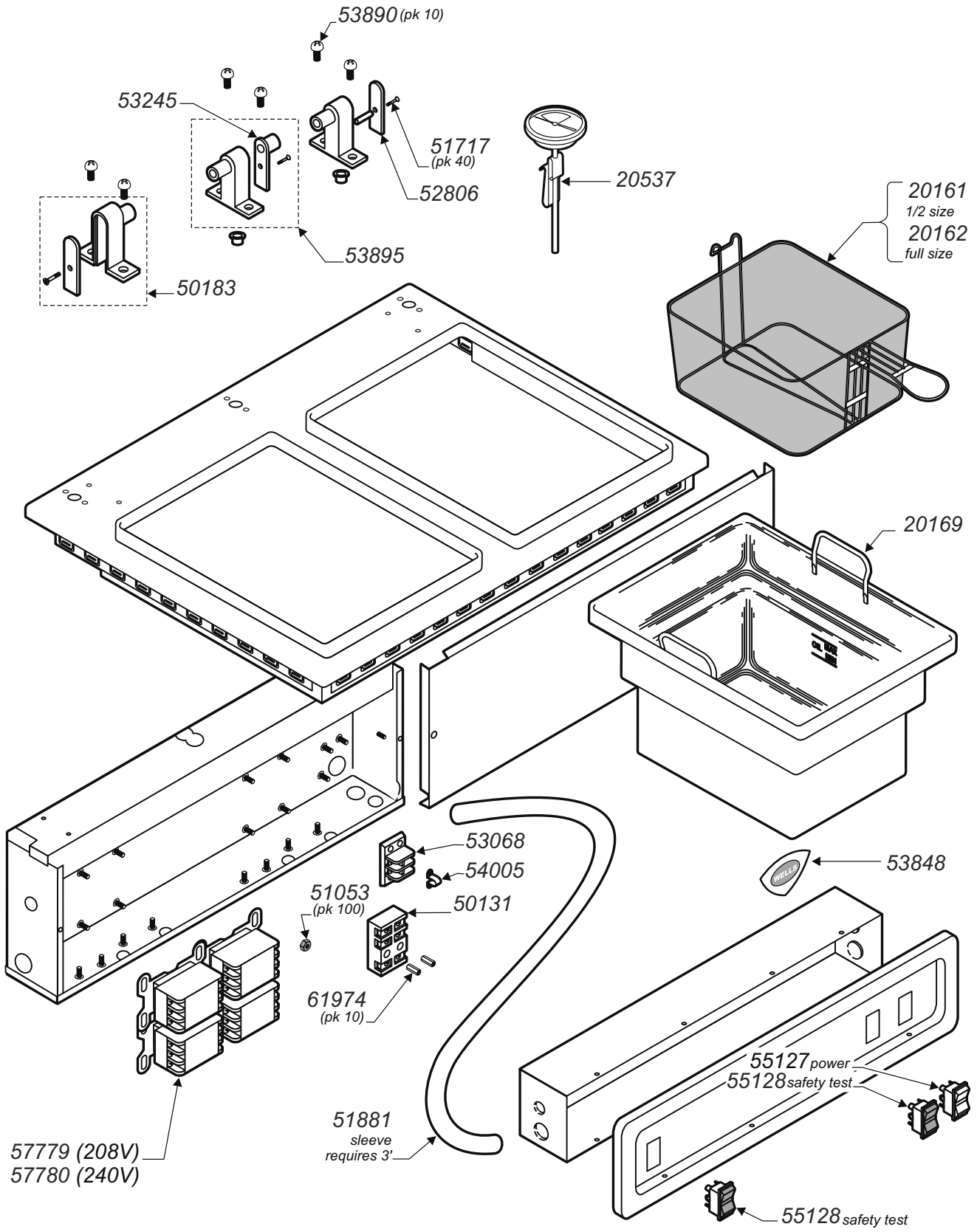
PL312 Service Parts List - Built-In Fryer w/ STS

**F-856 BUILT-IN DUAL-HEAD FRYER W/ SAFETY TEST SYSTEM™
FRY HEAD COMPONENTS**



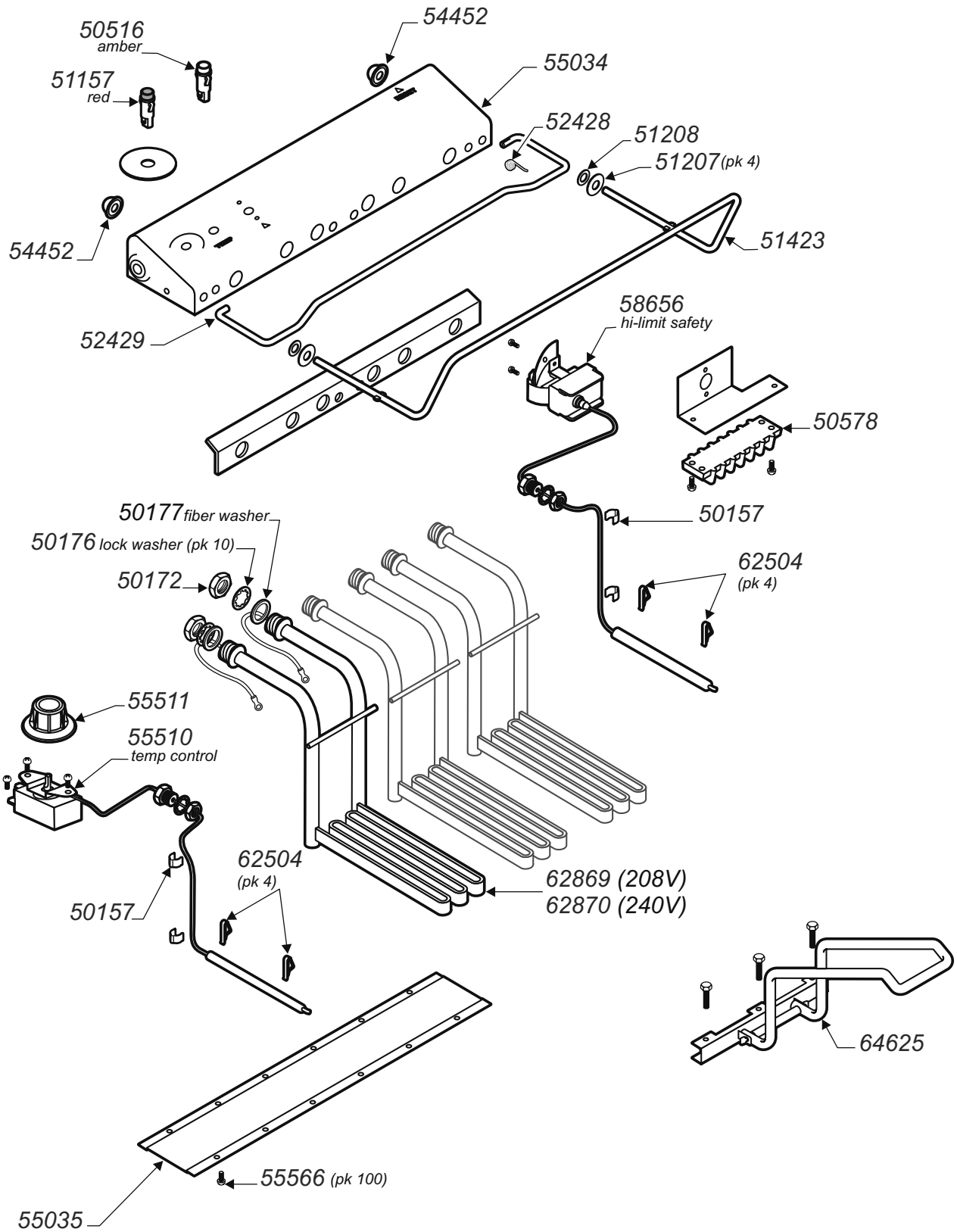
NOTE: Fryer has two identical fryer heads. One only is shown.

**F-856 BUILT-IN DUAL-HEAD FRYER W/ SAFETY TEST SYSTEM™
CABINET COMPONENTS**



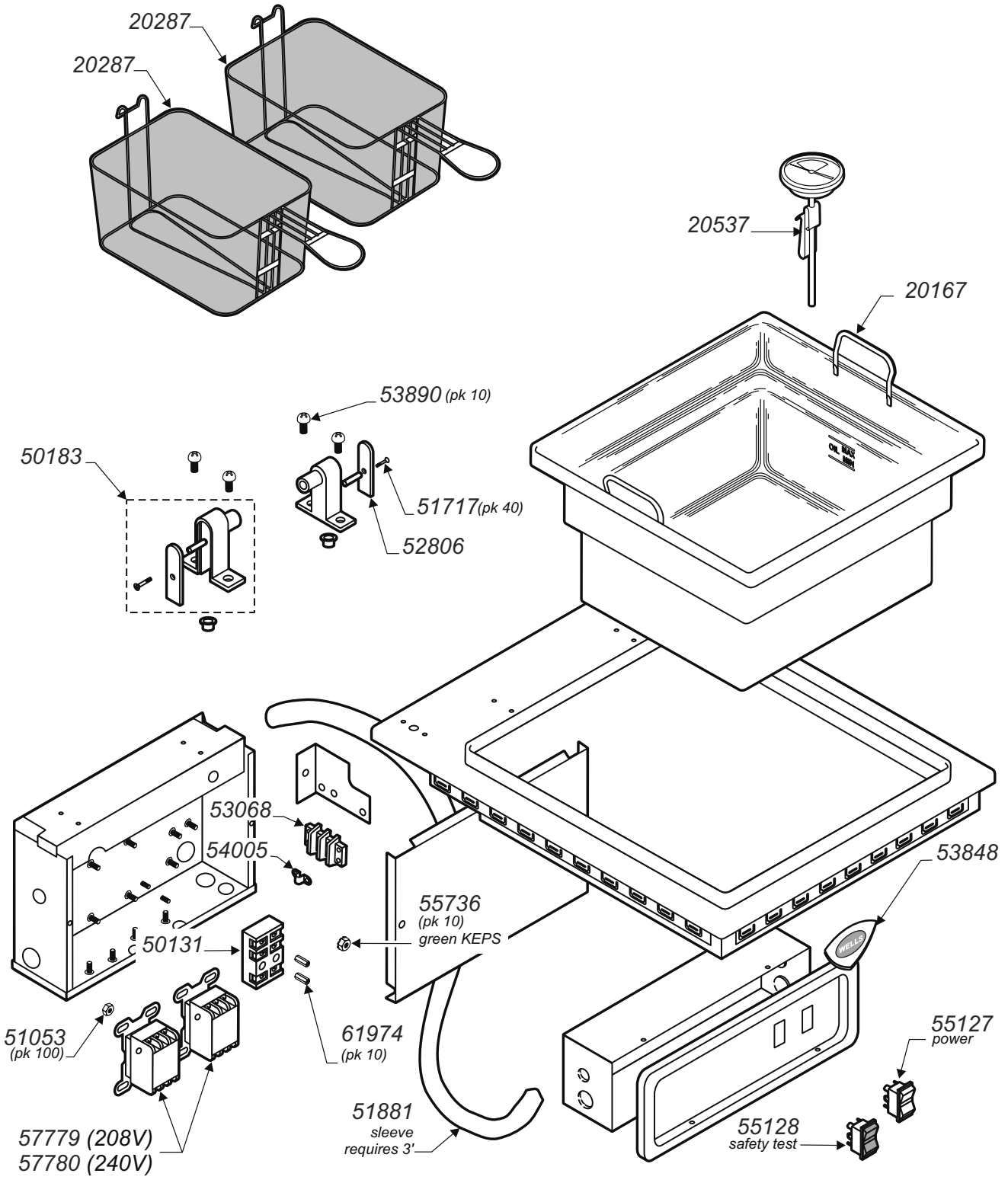
PL 312 Service Parts List - Built-In Fryer w/ STS

**F-1016 BUILT-IN SINGLE-HEAD MULTI-ELEMENT FRYER W/ SAFETY TEST SYSTEM™
FRY HEAD COMPONENTS**



PL312 Service Parts List - Built-In Fryer w/ STS

**F-1016 BUILT-IN SINGLE-HEAD MULTI-ELEMENT FRYER W/ SAFETY TEST SYSTEM™
CABINET COMPONENTS**



PL 312 Service Parts List - Built-In Fryer w/ STS



Wells Bloomfield proudly supports CFESA
Commercial Food Equipment Service Association

SERVICE TRAINING - QUALITY SERVICE



CUSTOMER SATISFACTION



WELLS BLOOMFIELD, LLC
2 ERIK CIRCLE, P. O. Box 280 Verdi, NV 89439
telephone: 888-492-2782
fax: 888-492-2783
www.wellsbloomfield.com