

WELLS BLOOMFIELD, LLC
2 ERIK CIRCLE, P. O. Box 280 Verdi, NV 89439
telephone: 775-689-5703
fax: 775-689-5976
www.wellsbloomfield.com

043a

PARTS LIST

PL043 part A

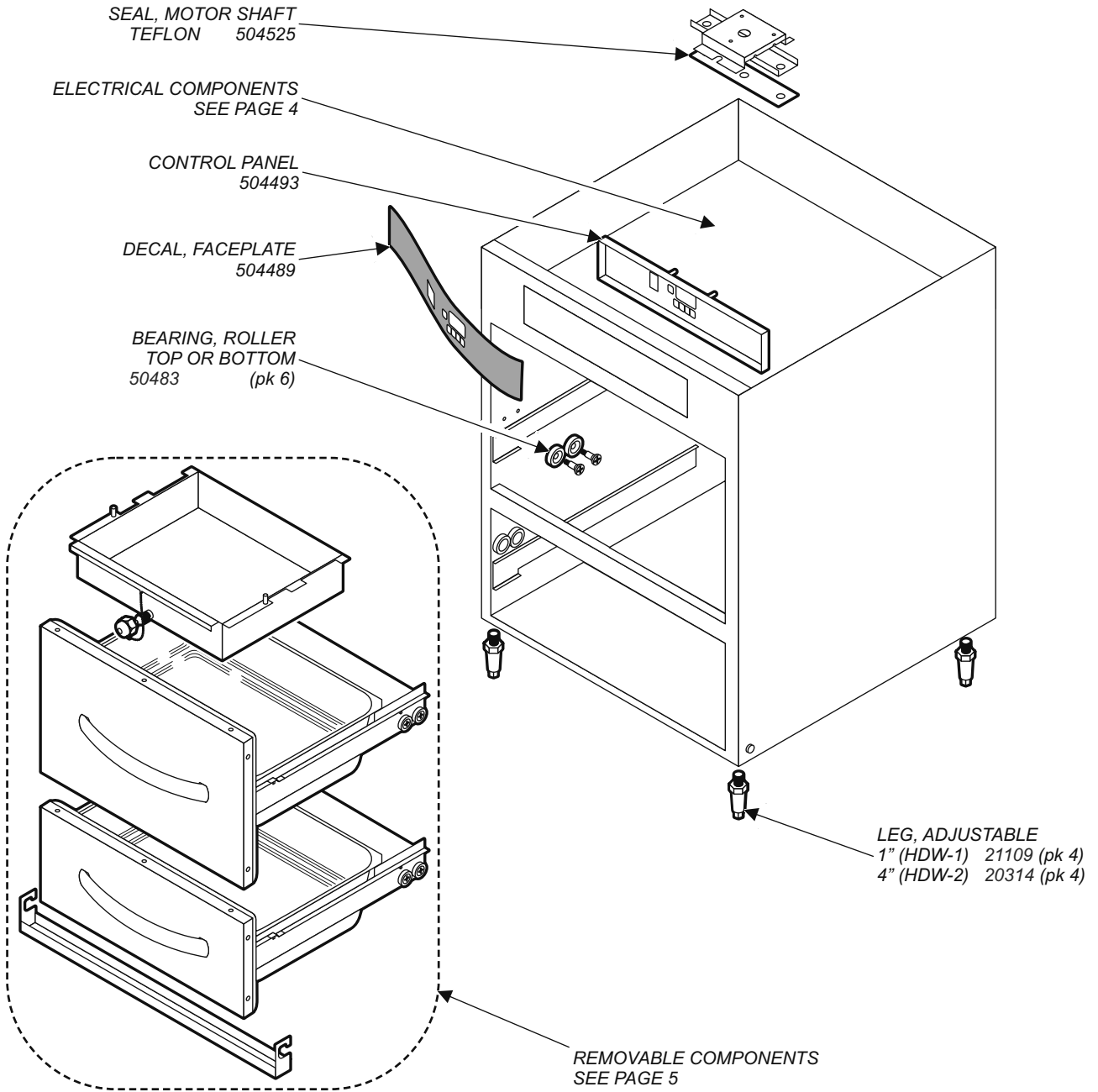
HUMIDIFIED DRAWER WARMER HDW-1 & HDW-2

CONTENTS

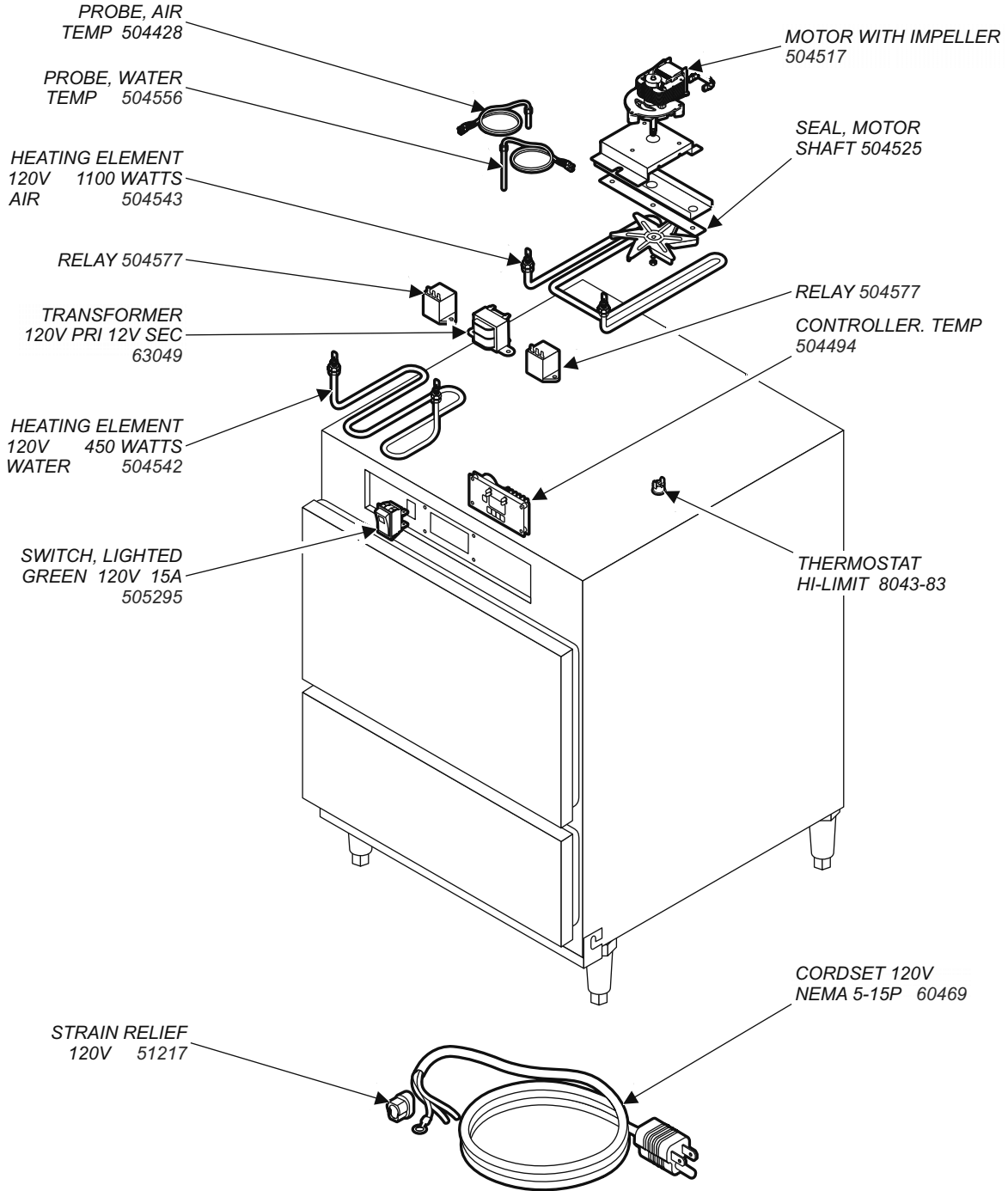
| Description | page |
|---------------------------------|-------------|
| Parts List | 2 |
| HDW Cabinet Components | 3 |
| HDW Electrical Components | 4 |
| HDW Removable Components | 5 |

PRINTED IN UNITED STATES OF AMERICA

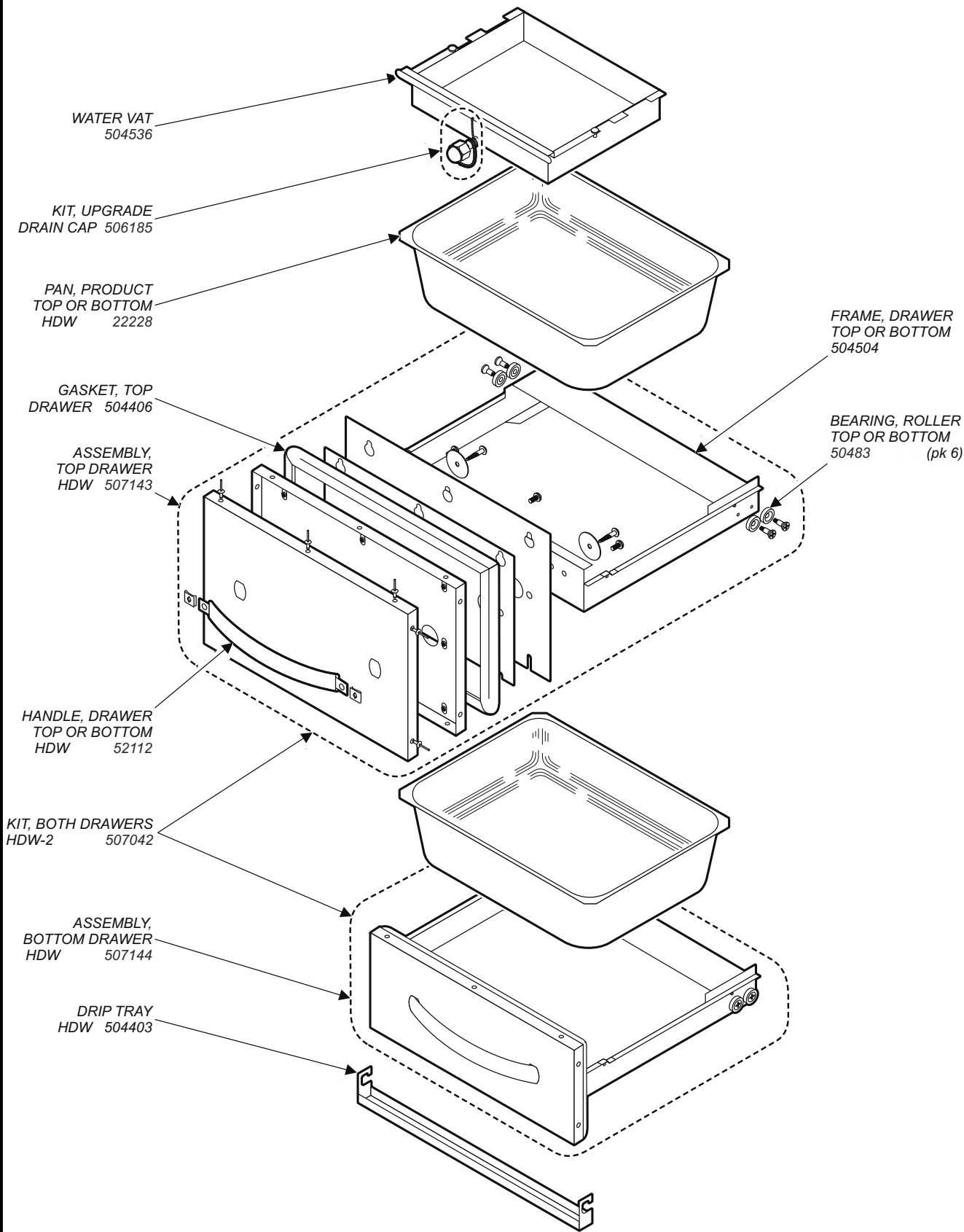
CABINET COMPONENTS



ELECTRICAL COMPONENTS



REMOVABLE COMPONENTS



PL043a Service Parts List - HDW-Series Humidified Drawer Warmer



Wells Bloomfield proudly supports CFESA
Commercial Food Equipment Service Association

SERVICE TRAINING - QUALITY SERVICE



CUSTOMER SATISFACTION



WELLS BLOOMFIELD, LLC
2 ERIK CIRCLE, P. O. Box 280 Verdi, NV 89439
telephone: 775-689-5703
fax: 775-689-5976
www.wellsbloomfield.com

PRINTED IN UNITED STATES OF AMERICA