

WELLS BLOOMFIELD
A Division of Carrier Commercial Refrigeration, Inc.
2 ERIK CIRCLE, P. O. Box 280 Verdi, NV 89439
telephone: 888-492-2782
fax: 888-492-2783
www.wellsbloomfield.com

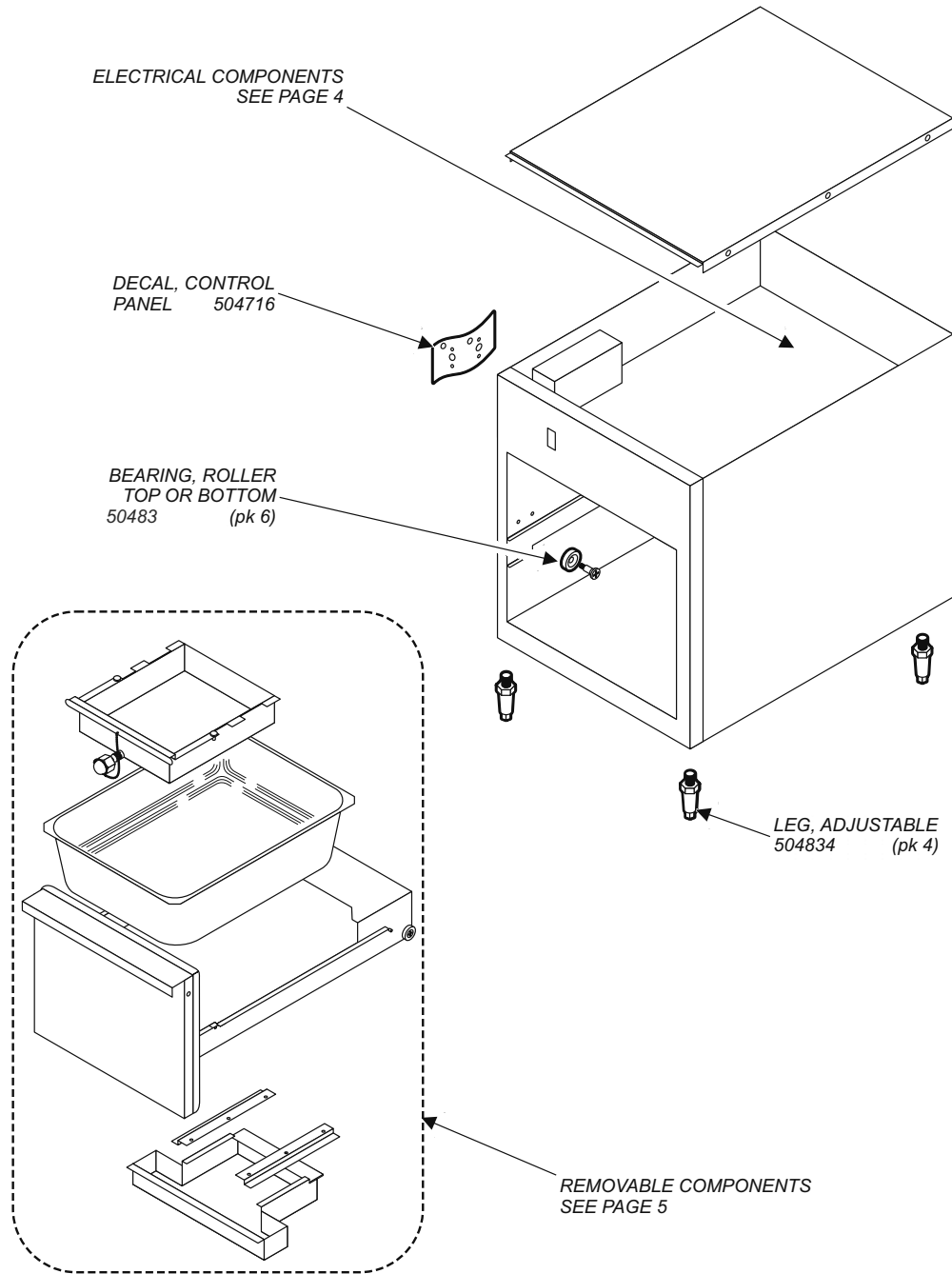
PARTS LIST

SERVICE PARTS LIST HUMIDIFIED DRAWER WARMER with SOLID STATE CONTROLLER HDWN-1S

CONTENTS

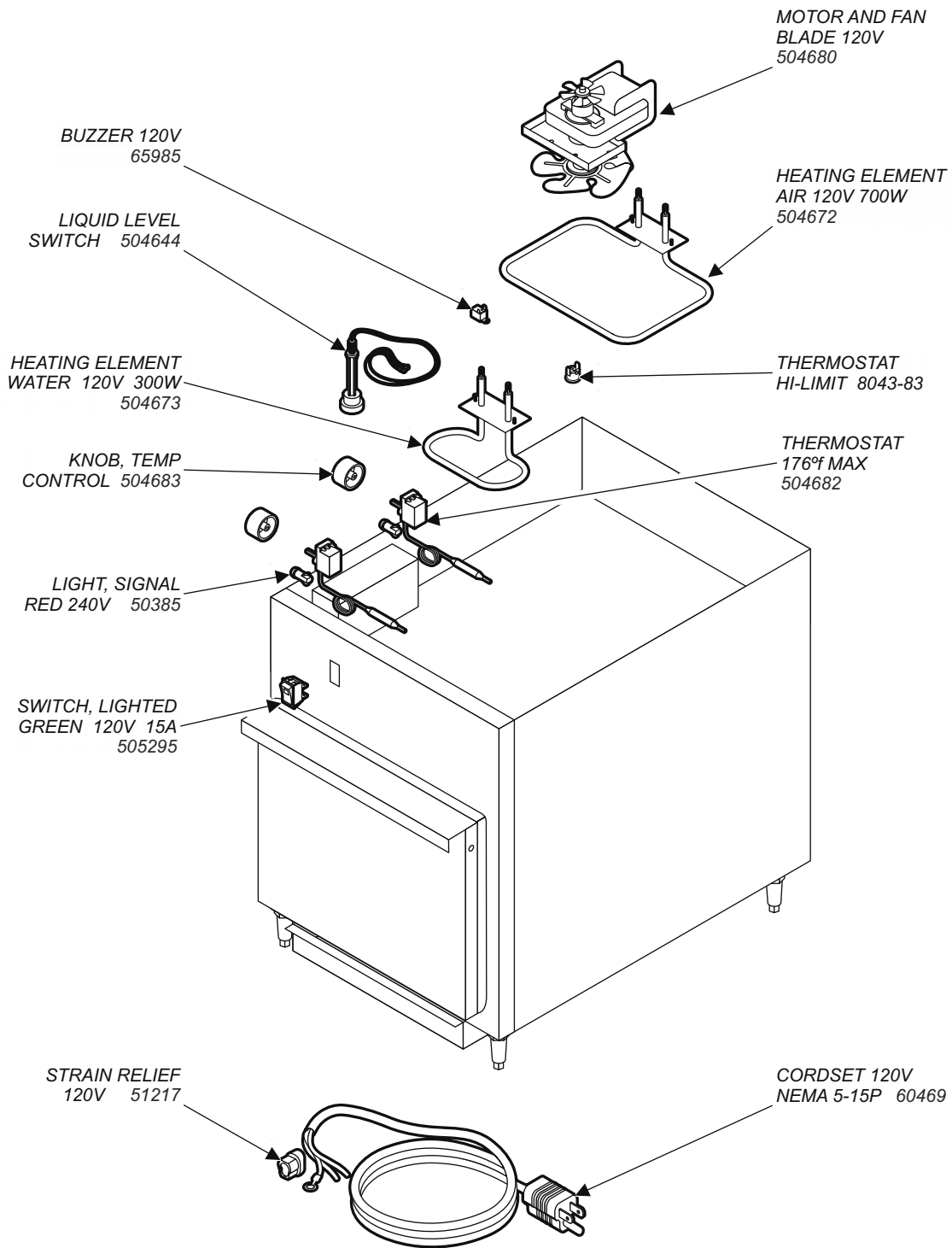
Description	page
Parts List	2
HDWN-1S Cabinet Components	3
HDWN-1S Electrical Components	4
HDWN-1S Removable Components	5

HDWN-1S CABINET COMPONENTS

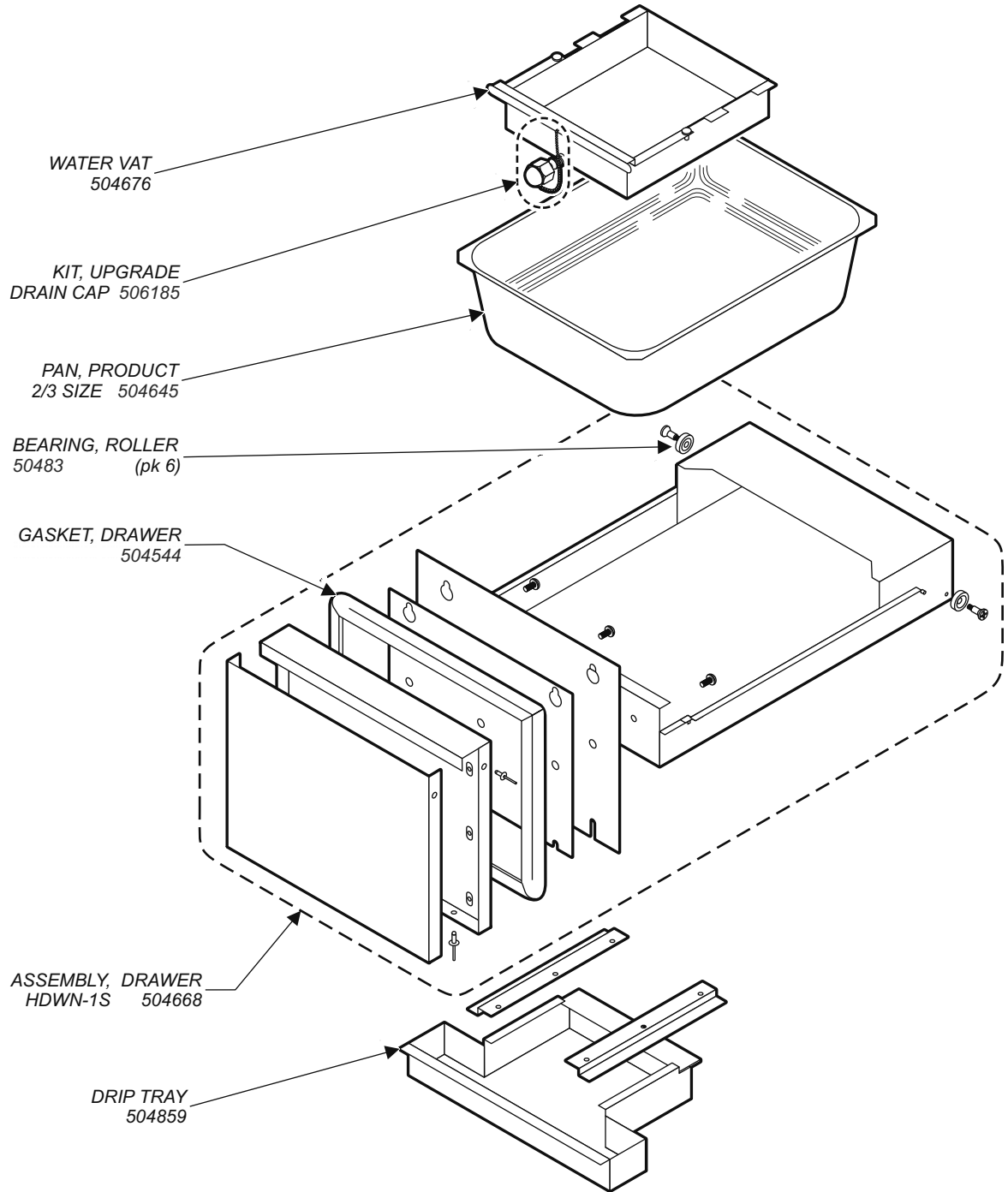


PL045 Parts List for HDWN-1S Humidified Drawer Warmer

HDWN-1S ELECTRICAL COMPONENTS



HDWN-1S REMOVABLE COMPONENTS





*Wells Manufacturing proudly supports CFESA
Commercial Food Equipment Service Association*

SERVICE TRAINING - QUALITY SERVICE



CUSTOMER SATISFACTION



WELLS

WELLS BLOOMFIELD
A Division of Carrier Commercial Refrigeration, Inc.
2 ERIK CIRCLE, P. O. Box 280 Verdi, NV 89439
telephone: 888-492-2782
fax: 888-492-2783
www.wellsbloomfield.com

PRINTED IN UNITED STATES OF AMERICA