

WELLS BLOOMFIELD, LLC
2 ERIK CIRCLE, P. O. Box 280 Verdi, NV 89439
telephone: 775-689-5703
fax: 775-689-5976
www.wellsbloomfield.com

043b

PARTS LIST

PL043 part B

NARROW HUMIDIFIED DRAWER WARMER HDWN-1 & HDWN-2

CONTENTS

Description	page
Parts List	2
HDWN Cabinet Components	3
HDWN Electrical Components	4
HDWN Removable Components	5

PRINTED IN UNITED STATES OF AMERICA

CABINET COMPONENTS

SEAL, MOTOR SHAFT
TEFLON 504525

ELECTRICAL COMPONENTS
SEE PAGE 4

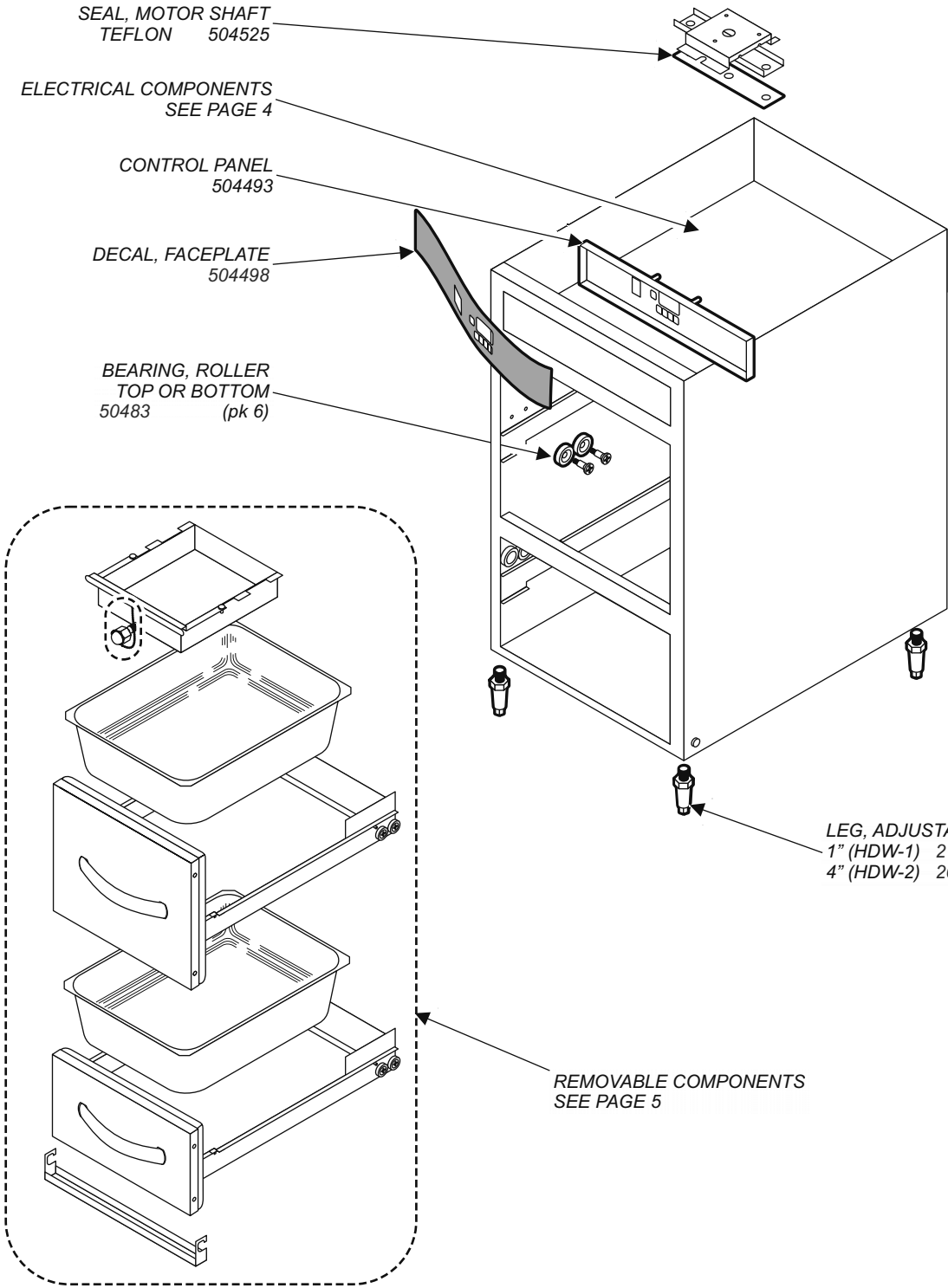
CONTROL PANEL
504493

DECAL, FACEPLATE
504498

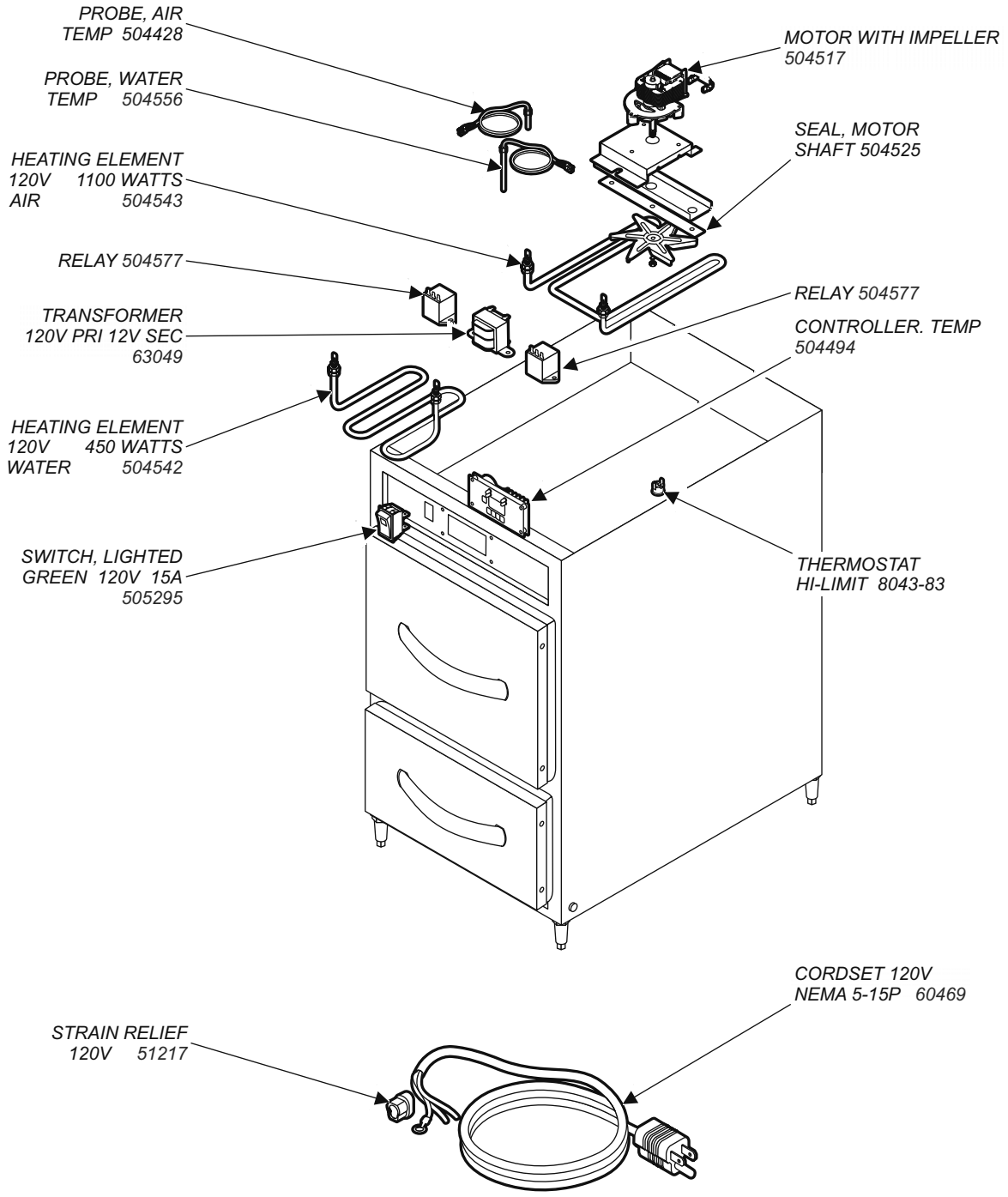
BEARING, ROLLER
TOP OR BOTTOM
50483 (pk 6)

LEG, ADJUSTABLE
1" (HDW-1) 21109 (pk 4)
4" (HDW-2) 20314 (pk 4)

REMOVABLE COMPONENTS
SEE PAGE 5

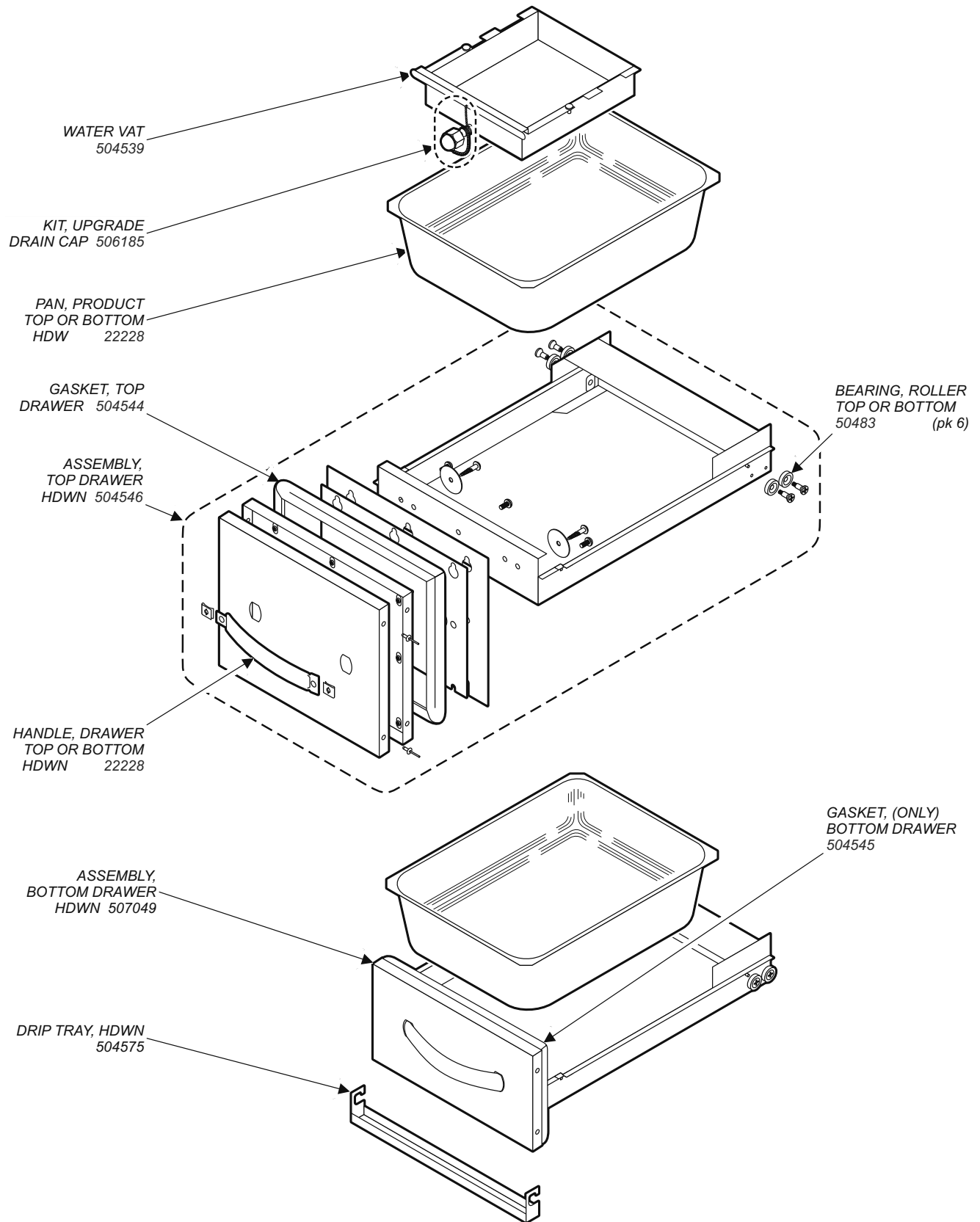


ELECTRICAL COMPONENTS



PL043b Service Parts List - HDWN-Series Humidified Drawer Warmer

REMOVABLE COMPONENTS



PL043b Service Parts List - HDWN-Series Humidified Drawer Warmer



Wells Bloomfield proudly supports CFESA
Commercial Food Equipment Service Association

SERVICE TRAINING - QUALITY SERVICE



CUSTOMER SATISFACTION



WELLS BLOOMFIELD, LLC
2 ERIK CIRCLE, P. O. Box 280 Verdi, NV 89439
telephone: 775-689-5703
fax: 775-689-5976
www.wellsbloomfield.com

PRINTED IN UNITED STATES OF AMERICA