

WELLS BLOOMFIELD
A Division of Carrier Commercial Refrigeration, Inc.
2 ERIK CIRCLE, P. O. Box 280 Verdi, NV 89439
telephone: 888-492-2782
fax: 888-492-2783
www.wellsbloomfield.com

PARTS LIST

SERVICE PARTS LIST OC-4TC Convection Oven with Hotplate Cooktop and OC-4HC Convection Oven with Ceramic Hotplate Cooktop

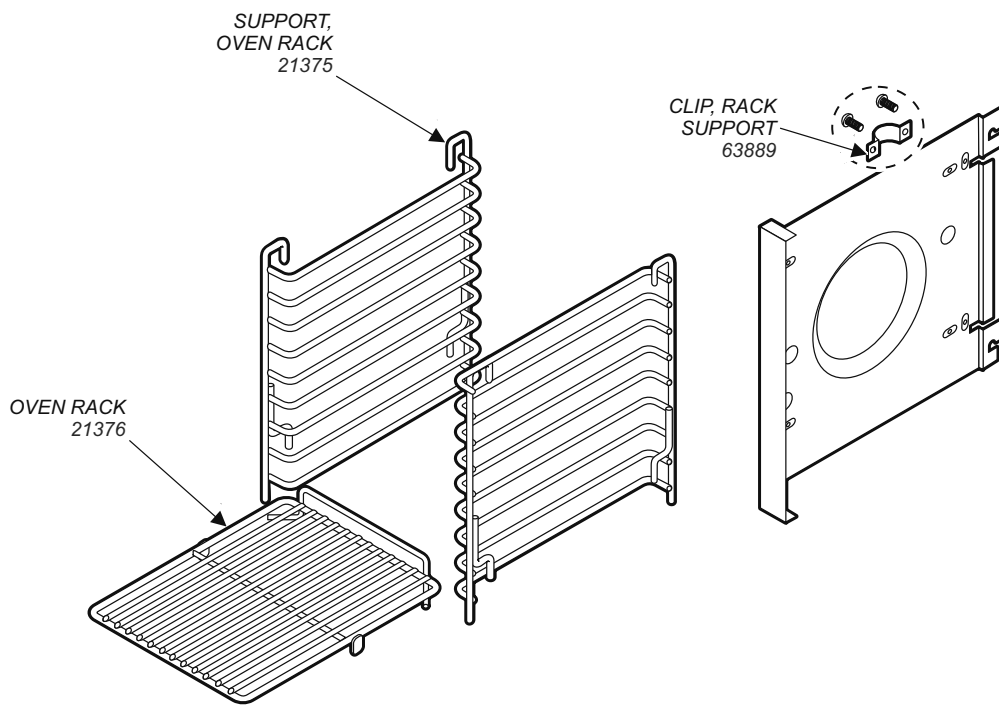
CONTENTS

Description	page
Parts List	2
Removable Components	3
Cabinet Components	4
Electrical Components	5
Cooktop Components	
Spiral Element	6
Solid (French Plate) Element	7
Ceramic Element	8

PART #	DESCRIPTION	PART #	DESCRIPTION	PART #	DESCRIPTION
OPTIONAL ACCESSORIES		MECHANICAL		HARDWARE	
21330	CASTER SET 2 SW + 2 SW W/BRAKE	63787	BRACKET, PROXIMITY SWITCH	51040	BUSHING, INSULATION HEYCO 7/8"
21372	CASTER SET 2 SW W/BRAKE	63797	WHEEL, BLOWER	51053	NUT 8-32 KEPS Ni (pk 100)
21373	CASTER SET 2 SW THD STEM	63804	TRIM, LOWER FRONT	51731	SCREW 8-32 x 11/16 PH Ni (pk 5)
21375	SUPPORT, OVEN RACK	63836	COVER, ELEMENT GASKET, INNER	54285	SCREW 8-32 x 3/8 PH SS (pk 50)
21376	OVEN RACK	63837	COVER, ELEMENT GASKET, OUTER	55412	SCREW 8-32 x 1/2 PH SS (pk 100)
22226	LEG, ADJ OC-1 6"	63889	CLIP, RACK SUPPORT	57943	CLIP, TINNEMAN (PK 50)
22445	SCRAPER, CLEANING CERAMIC HP	63896	ASSY, BOTTOM DOOR HINGE	60329	SCREW 6-32 x 7/8 PH Ni
22721	CORDSET NEMA 15-50P	63899	PLATE, DOOR PIVOT	60680	NUT 10-32 KEPS SS (pk 10)
22914	DOOR ASSY, COMPLETE	63900	SLEEVE, DOOR HINGE	60821	SCREW 10-32 x 1-1/2 PH SS
		65647	SHIELD, PROXIMITY SWITCH	61048	SCREW 1/4-20 x 3/4 HEX SS
ELECTRICAL		63817	GASKET, DOOR TOP & BOTTOM	61974	NUT 8-32 x 7/8 Alu (pk 10)
50131	TERMINAL BLOCK 3P 85A	63819	GASKET, DOOR SIDES	62432	LOCKNUT 1/2-14 NPT
50293	ELEM SPIRAL HP 240V 2600W	67439	KNOB, OC-1	18-302	NUT 8-32 SS
50562	INFINITE SWITCH 240V A CAM	68703	FACEPLATE DECAL	8543-72	NUT, 4-40 SS
51157	LIGHT, SIGNAL RED 250V	68989	GASKET, CLOSED CELL (pk 50 ft rl)		
54769	FUSE HOLDER HPG-EE 10A 240V	501213	INSUL LYTHERM 1/4 x 5/8 (pk 6)	LITERATURE & DOCUMENTATION	
54871	FUSE SC-10 10A 300V (pk 4)	503252	GASKET, CLOSED CELL, OVEN POT	301971	WIR DIA OC-4
60877	LIGHT, SIGNAL WHITE 250V	504420	STRAIN RELIEF 1-1/4 NPT	303875	OPMANUAL OC-4TC, CO-4HC
63738	BOOT, ROCKER SWITCH	505610	PIN, DOOR HINGE		
63783	ELEMENT 240V, 4" SPACING	505612	HANDLE, DOOR		
63800	ELEMENT 240V, 2.5" SPACING	505615	ASSY, DOOR LATCH		
63866	ELEMENT 208V, 4" SPACING	505616	STRIKER, LATCH		
63872	ELEMENT 208V, 2.5" SPACING	505619	BUSHING, UPPER DOOR HINGE		
63880	RELAY DPDT 208/240V				
63932	MOTOR, OVEN 1/4HP 208/240V 2SP				
65180	THERMO, HI-LIMIT				
65239	SWITCH, PROXIMITY				
65651	SWITCH DPDT 250V 15A				
65657	SWITCH SPDT OC-1 FAN 2 SP				
501120	ELEM CERAMIC HP 240V 2500W				
501122	LIGHT, SIGNAL CLEAR				
503973	ELEM SOLID HP 240V 2000W				
504712	PROBE, TEMP OC-1				
504713	CONTROLLER, TIME/TEMP OC-1				
504892	RELAY, E-SAFE 208/240V 40A				

P1273 Parts List for Convection Oven OC-4TC & OC-4HC

OC-4 REMOVABLE COMPONENTS



OC-4 CABINET COMPONENTS

BUSHING, TOP HINGE 505619

PIN, HINGE 505610

DOOR STRIKER 505616

COOKTOP
SEE PAGES 6, 7 & 8

DOOR LATCH 505615

ASSEMBLY, DOOR COMPLETE 22914

GUARD, PROX. SWITCH 65647

BRACKET PROX. SWITCH 63787

TRIM, LOWER FRONT 63804

HANDLE 505612

PIN, HINGE 505610

PLATE, DOOR PIVOT 63899

SLEEVE, DOOR HINGE 63900

HINGE, DOOR LOWER 63896

CLIP, RACK SUPPORT 63889

PLATE COVER 63899

GASKET, DOOR TOP/BOT 63817

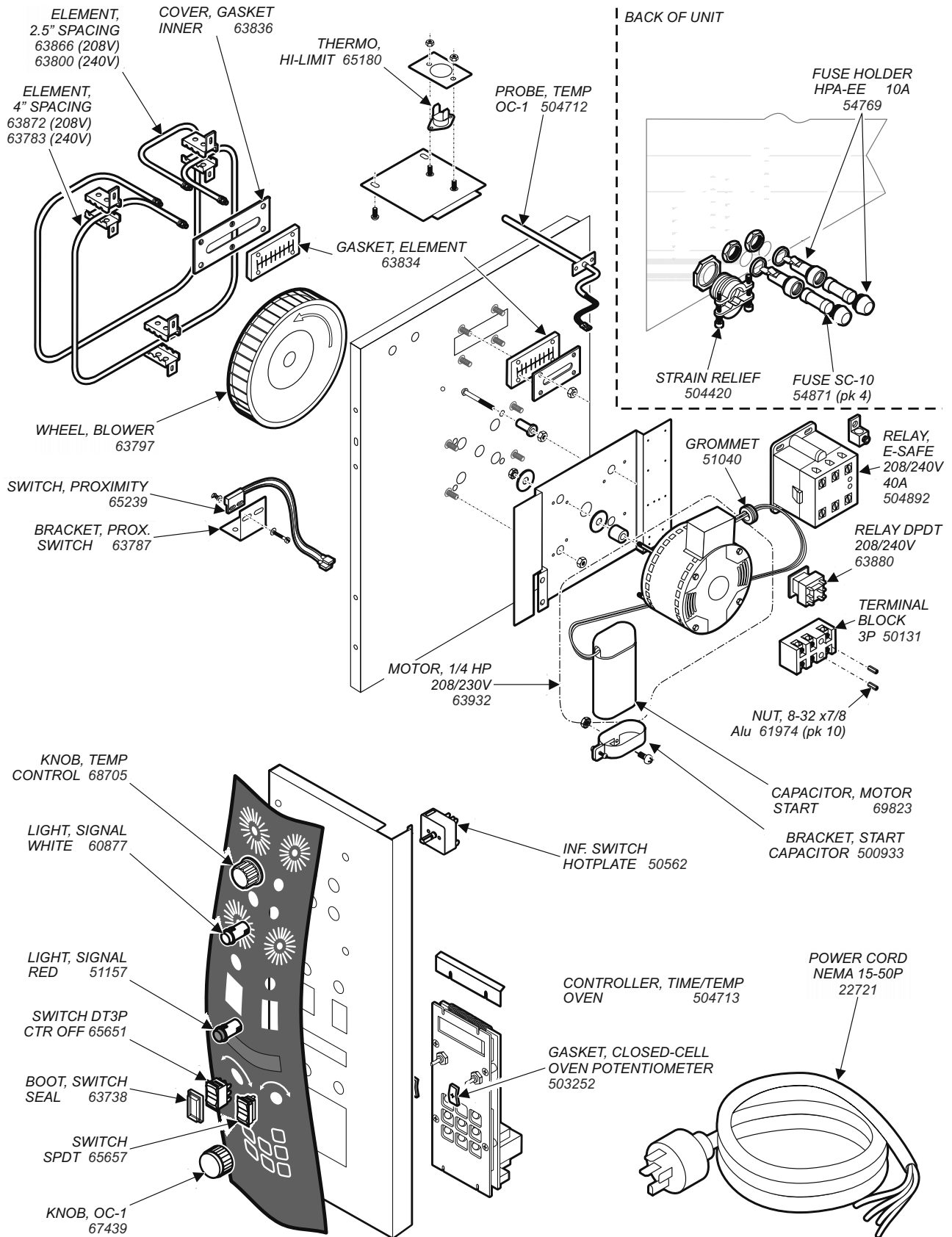
GASKET, DOOR SIDE 63819

LEG, ADJUSTABLE 22226 (set of 4)

SET, CASTERS 21372
(2 swivel casters, thd stem)
SET, CASTERS 21330
(2 swivel caster w/brake)
SET, CASTERS 21330
(2 swivel, 2 swivel w/brake)

PL273 Parts List for Convection Oven OC-4TC & OC-4HC

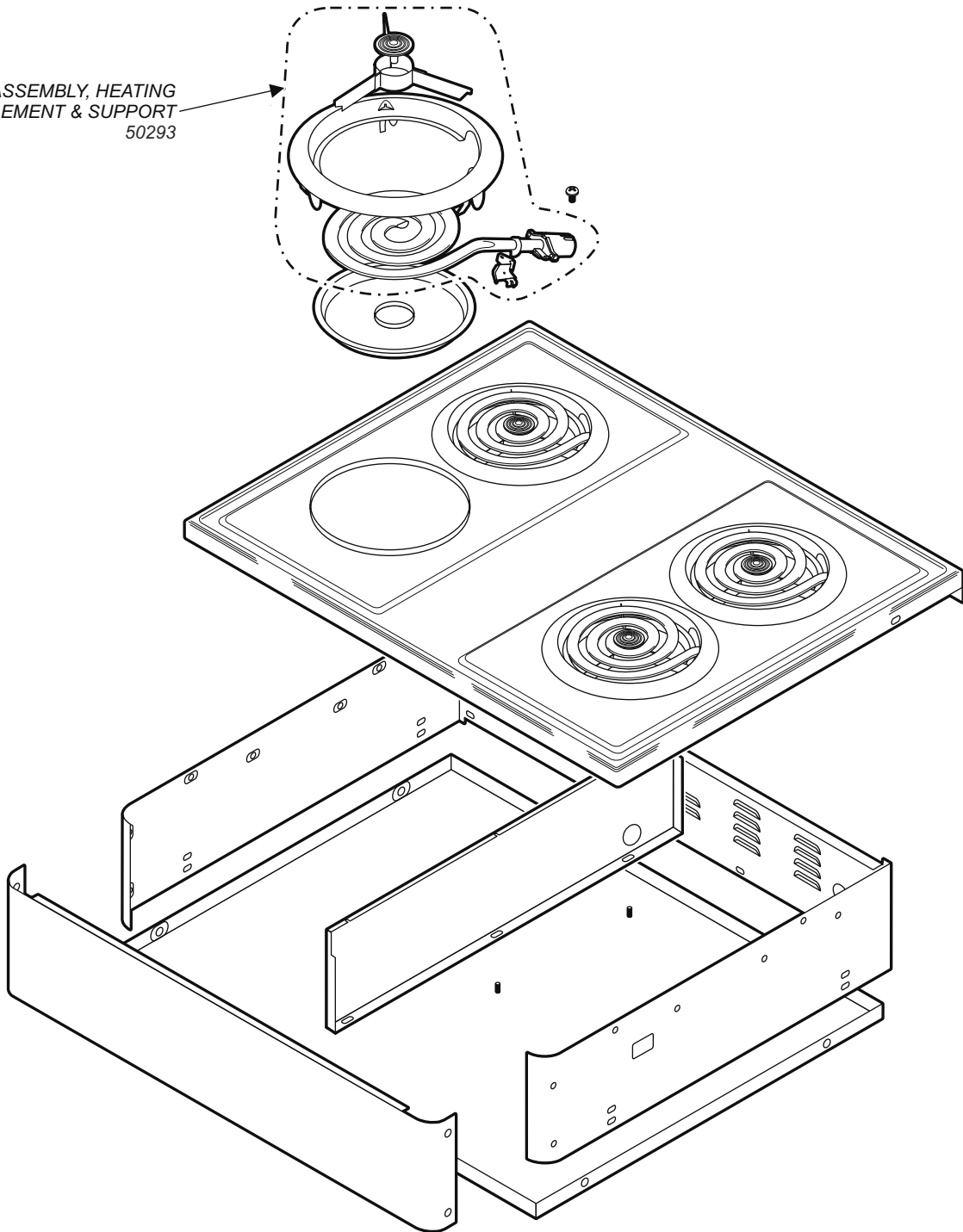
OC-4 ELECTRICAL COMPONENTS



PL273 Parts List for Convection Oven OC-4TC & OC-4HC

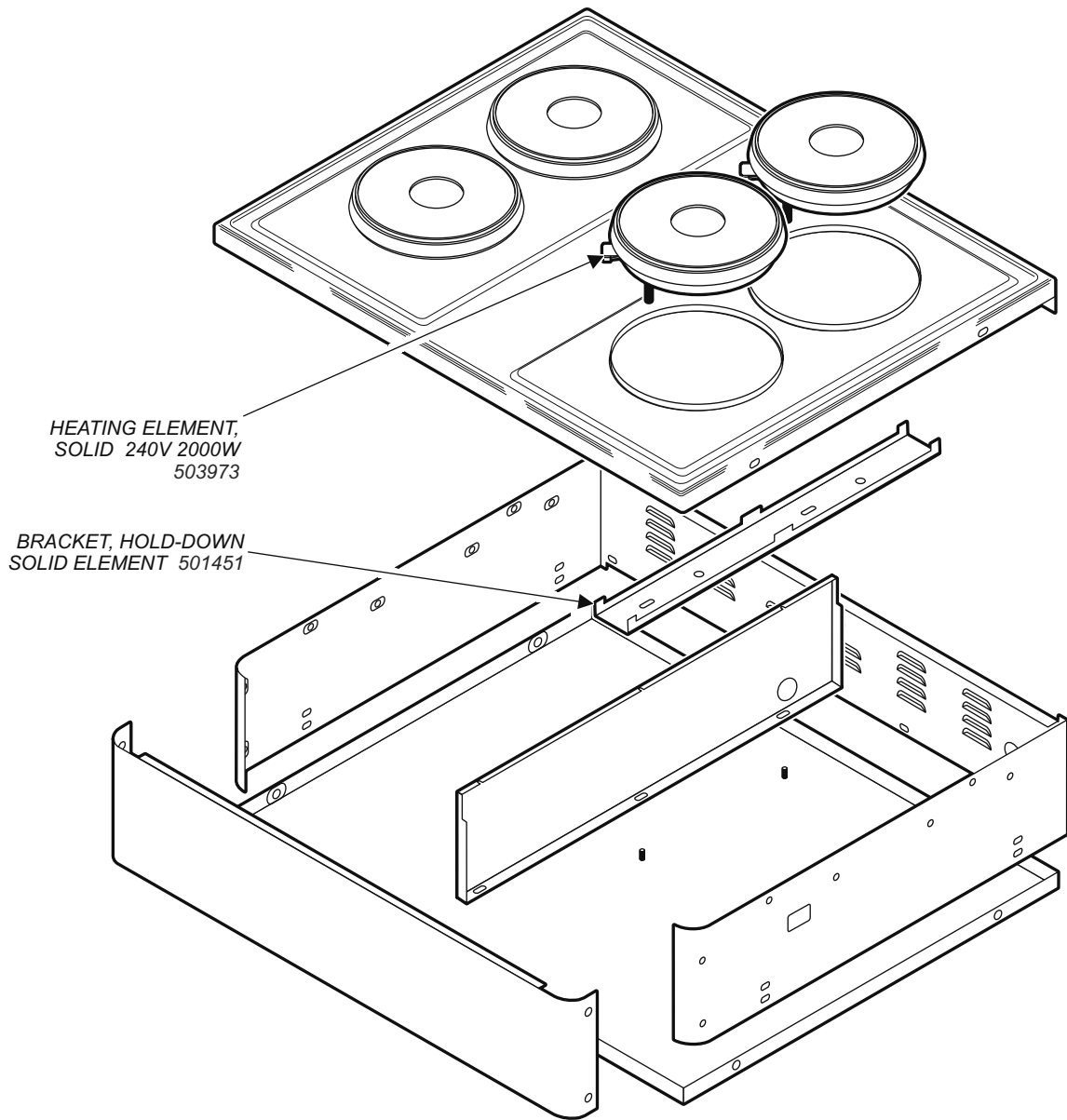
OC-4 SPIRAL ELEMENT COOKTOP COMPONENTS

ASSEMBLY, HEATING
ELEMENT & SUPPORT
50293

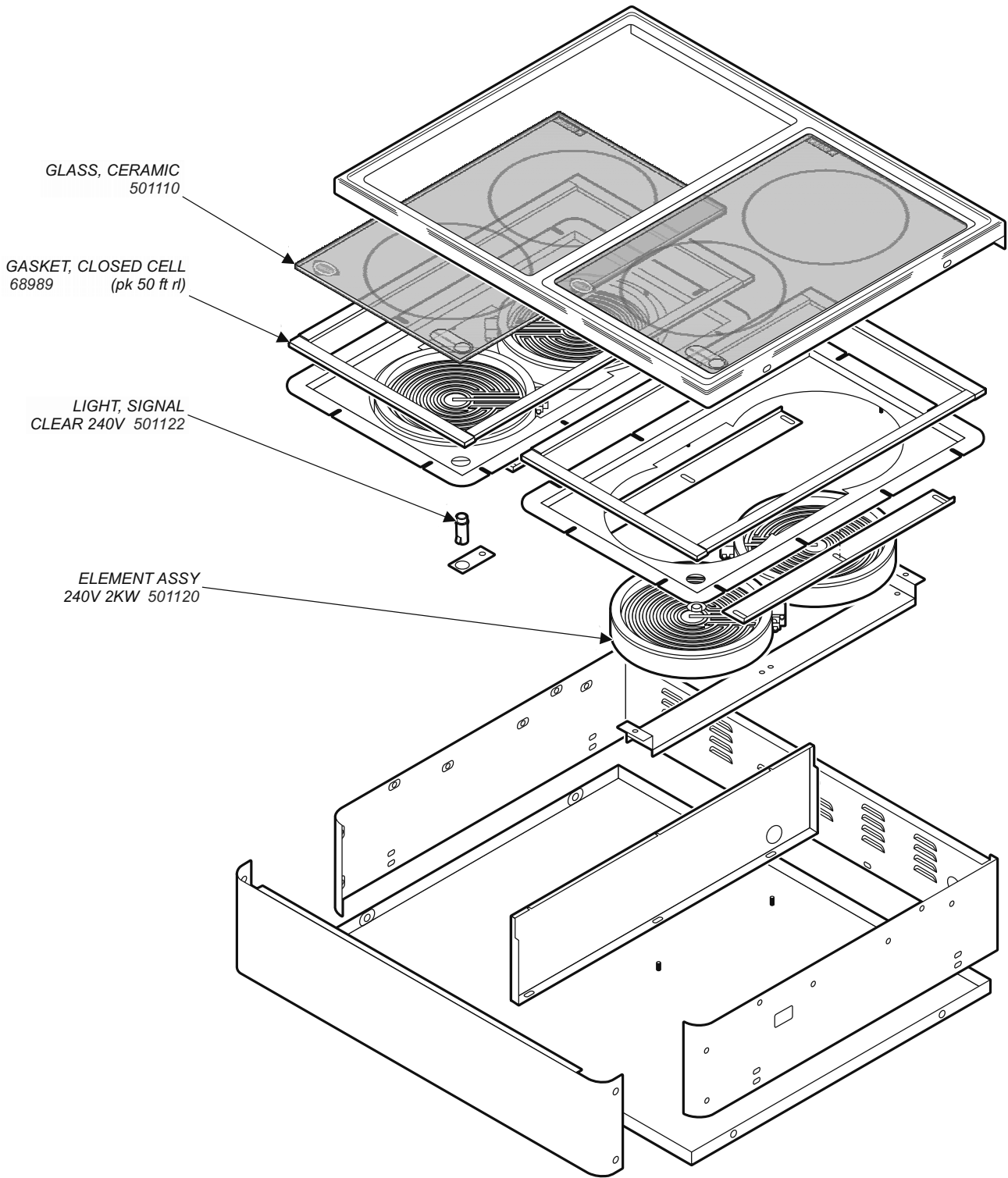


PL273 Parts List for Convection Oven OC-4TC & OC-4HC

OC-4 SOLID (FRENCH PLATE ELEMENT COOKTOP COMPONENTS)



OC-4 CERAMIC ELEMENT COOKTOP COMPONENTS



PL273 Parts List for Convection Oven OC-4TC & OC-4HC

NOTES

PL273 Parts List for Convection Oven OC-4TC & OC-4HC



*Wells Manufacturing proudly supports CFESA
Commercial Food Equipment Service Association*

SERVICE TRAINING - QUALITY SERVICE



CUSTOMER SATISFACTION



WELLS

WELLS BLOOMFIELD
A Division of Carrier Commercial Refrigeration, Inc.
2 ERIK CIRCLE, P. O. Box 280 Verdi, NV 89439
telephone: 888-492-2782
fax: 888-492-2783
www.wellsbloomfield.com