

**WELLS BLOOMFIELD, LLC**  
2 ERIK CIRCLE, P. O. Box 280 Verdi, NV 89439  
telephone: 775-689-5703  
fax: 775-689-5976  
[www.wellsbloomfield.com](http://www.wellsbloomfield.com)

042a

# **PARTS LIST**

## PL042 part A

### **BUILT-IN DRAWER WARMERS STANDARD MODELS RW-16, RW-26, RW-36**

#### **CONTENTS**

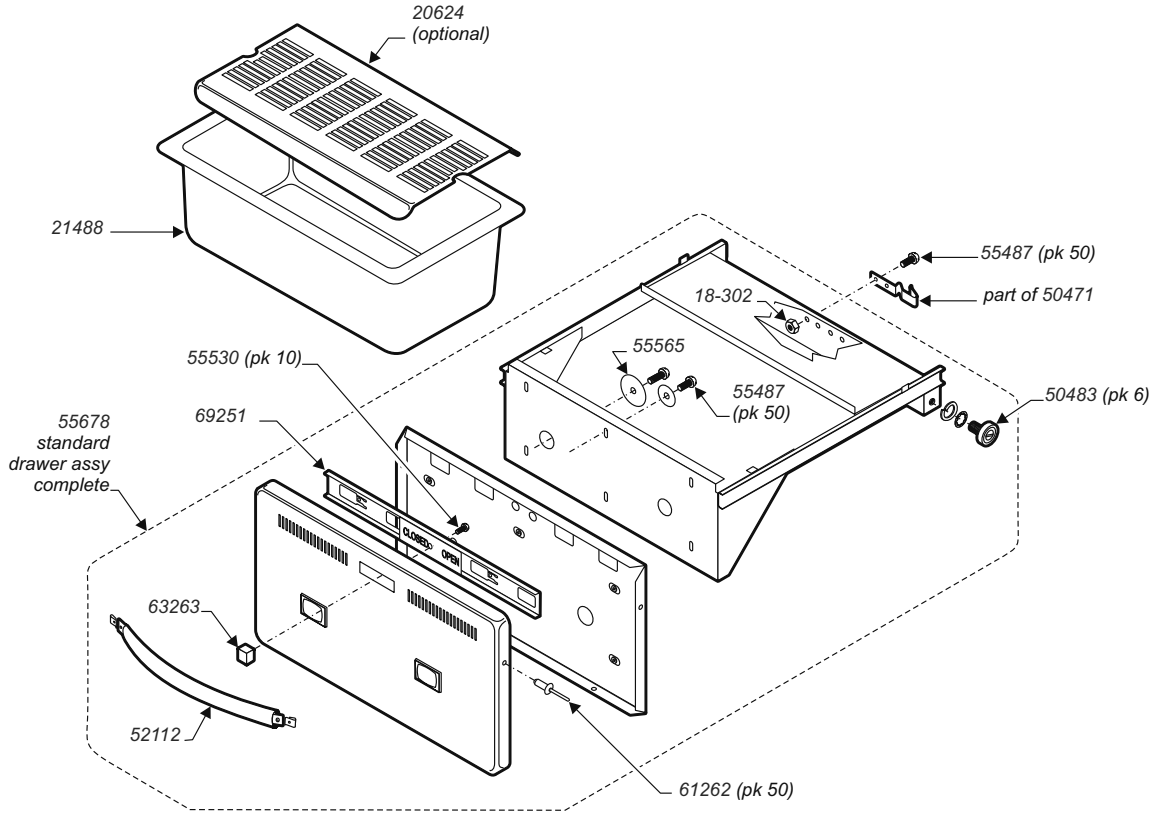
<b>Description</b>	<b>page</b>
Parts List .....	2
Drawer Assembly .....	3
Cavity & Cabinet Assembly .....	3

PRINTED IN UNITED STATES OF AMERICA

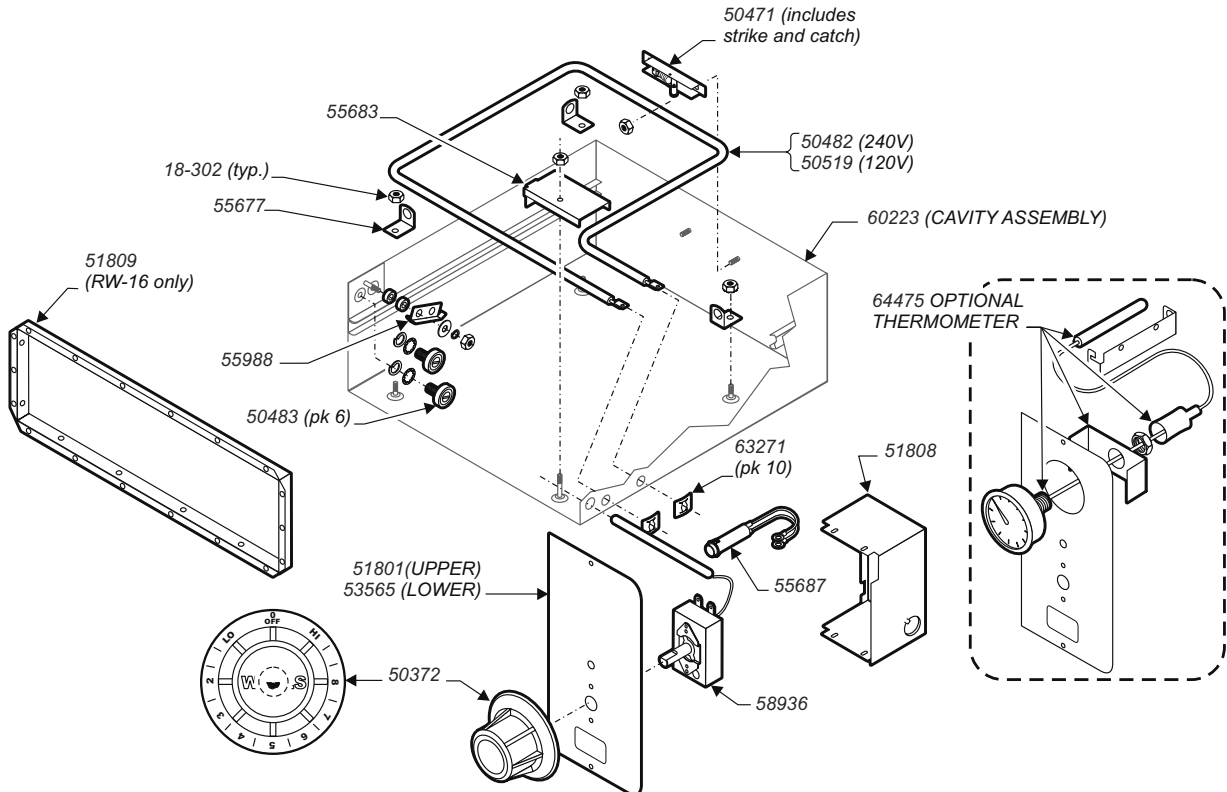
PART #	DESCRIPTION	PART #	DESCRIPTION	PART #	DESCRIPTION
<b>OPTIONAL ACCESSORIES</b>		<b>MECHANICAL</b>		<b>HARDWARE, etc.</b>	
20624	HUMITROL RACK, (all exc RW-176HD)	50372	KNOB ASSY, TEMP CONTROL	18-302	NUT 8-32 HEX SS
21488	INSERT, DRAWER RW	50471	CATCH ASSY COMPLETE	51040	BUSHING 7/8 OD
		50483	ROLLER ASSY, DRAWER (pk 6)	51053	NUT 8-32 KEPS Ni (pk 100)
		51674	SPACER, 1/2" LG	51717	SCREW 8-32x3/8 ROLOCK Ni (pk 40)
		51801	CONTROL PANEL w/o THERMOMETER	53935	SCREW 6Ax5/16 PAN SMS (pk 100)
<b>ELECTRICAL</b>		51808	OUTLET BOX RW	53977	SCREW 8-32x3/8 BND HD (pk 100)
50482	ELEMENT 240V 450W	51809	FLANGE ATTACHMENT ASSEMBLY	53988	SCREW 6Ax1/2 PAN SMS Ni (pk 10)
50519	ELEMENT 120V 450W	52112	HANDLE, RW DRAWER	54284	POP RIVET 3/32Dx1/8
51217	STRAIN RELIEF 90°	53565	CONTROL PANEL, LOWER RW-26,-36	55135	SCREW 6-32x1/4 FIL HD Ni (pk 25)
54131	CONNECTOR WIRE 12-14 GA	55677	SUPPORT, ELEMENT	55487	SCREW 8-32x5/16TR HD SS (pk 50)
55687	LIGHT, SIGNAL RED	55678	DRAWER ASSY, RW Note: Does NOT include drawer insert	55530	SCREW 8-32x3/8 SEMS Ni (pk 100)
58936	THERMO CONTROL w/o AUX	55683	SHIELD, THERMOBULB	55565	WASHER, DRAWER BACK 2-1/16
		55726	ASSY, SLIDE VENT	55566	SCREW 6-32x1/4 TR HD SS (pk 100)
		55988	DRAWER STOP RW	55736	NUT 8-32 HEX KEPS GREEN (pk 10)
		56050	INSULATION 1"x36"W (pk 450 SQ.FT.)	60019	COTTER PIN 1/16x3/8 SS
		60083	TRADEMARK, CASTING	61974	NUT 8-32x7/8 ALUM (pk 10)
		60223	CAVITY ASSY RW	61262	POP RIVET 1/8x .265 SS (pk 50)
		60418	SHELL ASSY, RW-1	63271	CLIP, RETAINER PILOT LIGHT (pk 10)
		63263	KNOB (ONLY), DRAWER VENT		
				<b>LITERATURE</b>	
				300597	WIRING DIAGRAM 1-DRAWER
				300959	WIRING DIAGRAM 2-DRAWER
				300961	WIRING DIAGRAM 3-DRAWER
				303334	OPERATION MANUAL BUILT-IN RW

PL042a Service Parts List - Built-In Drawer Warmer

**DRAWER ASSEMBLY—COMMON TO ALL “STANDARD” VERSIONS**



**CAVITY and CABINET INTERIOR—COMMON TO ALL “STANDARD” VERSIONS**



PL042a Service Parts List - Built-In Drawer Warmer



Wells Bloomfield proudly supports CFESA  
Commercial Food Equipment Service Association

**SERVICE TRAINING - QUALITY SERVICE**



**CUSTOMER SATISFACTION**



**WELLS BLOOMFIELD, LLC**  
2 ERIK CIRCLE, P. O. Box 280 Verdi, NV 89439  
telephone: 775-689-5703  
fax: 775-689-5976  
[www.wellsbloomfield.com](http://www.wellsbloomfield.com)

PRINTED IN UNITED STATES OF AMERICA