

WELLS BLOOMFIELD, LLC
 2 ERIK CIRCLE, P. O. Box 280 Verdi, NV 89439
 telephone: 775-689-5703
 fax: 775-689-5976
 www.wellsbloomfield.com

041a

PARTS LIST

PL041 part A

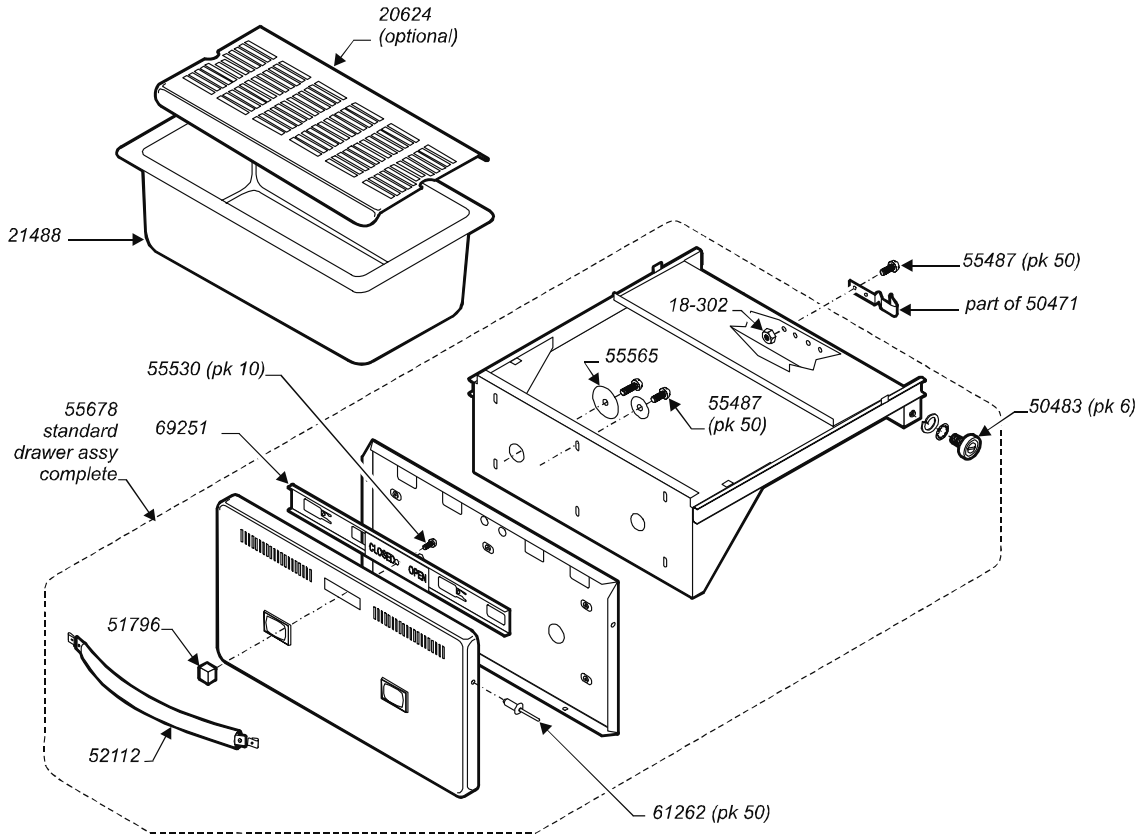
FREE-STANDING DRAWER WARMERS STANDARD MODELS RW-1, RW-2, RW-3, RW-4

CONTENTS

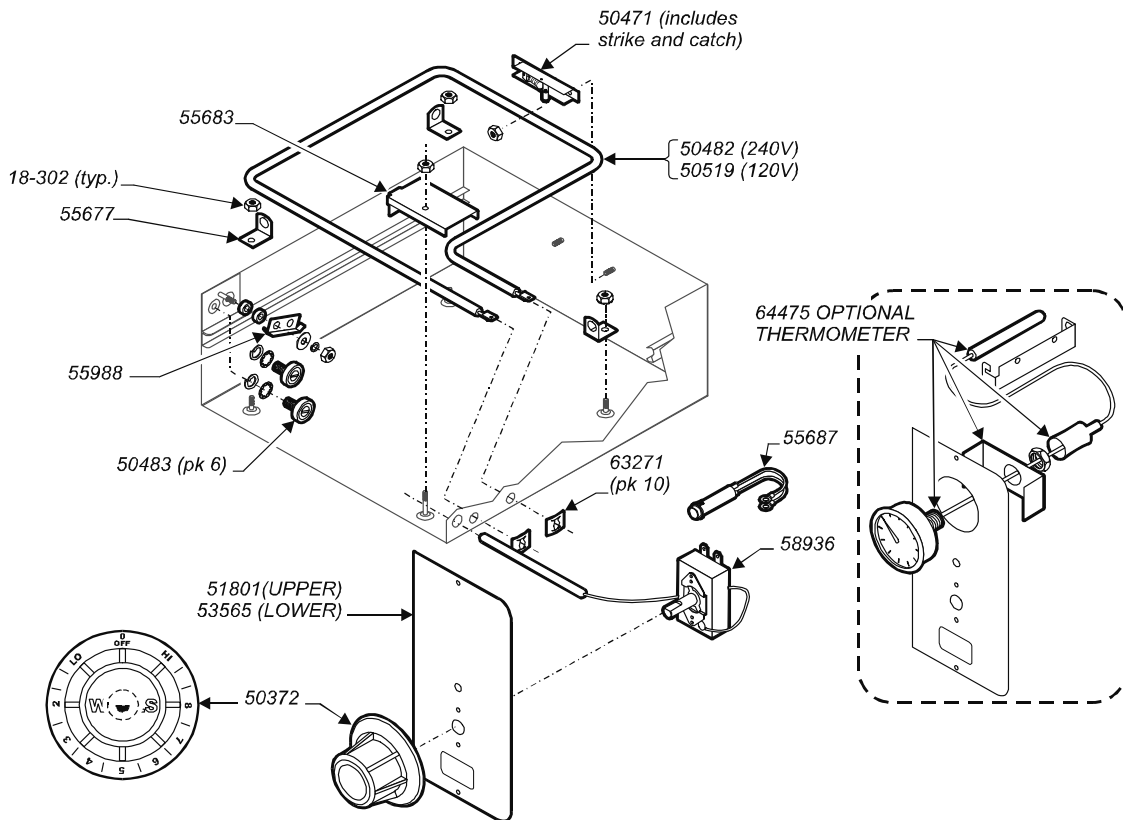
Description	page
Parts List	2
Drawer Assembly	3
Cavity & Cabinet Interior	3

PRINTED IN UNITED STATES OF AMERICA

DRAWER ASSEMBLY—COMMON TO ALL “STANDARD” VERSIONS



CAVITY and CABINET INTERIOR—COMMON TO ALL “STANDARD” VERSIONS





Wells Bloomfield proudly supports CFESA
Commercial Food Equipment Service Association

SERVICE TRAINING - QUALITY SERVICE



CUSTOMER SATISFACTION



WELLS BLOOMFIELD, LLC
2 ERIK CIRCLE, P. O. Box 280 Verdi, NV 89439
telephone: 775-689-5703
fax: 775-689-5976
www.wellsbloomfield.com

PRINTED IN UNITED STATES OF AMERICA