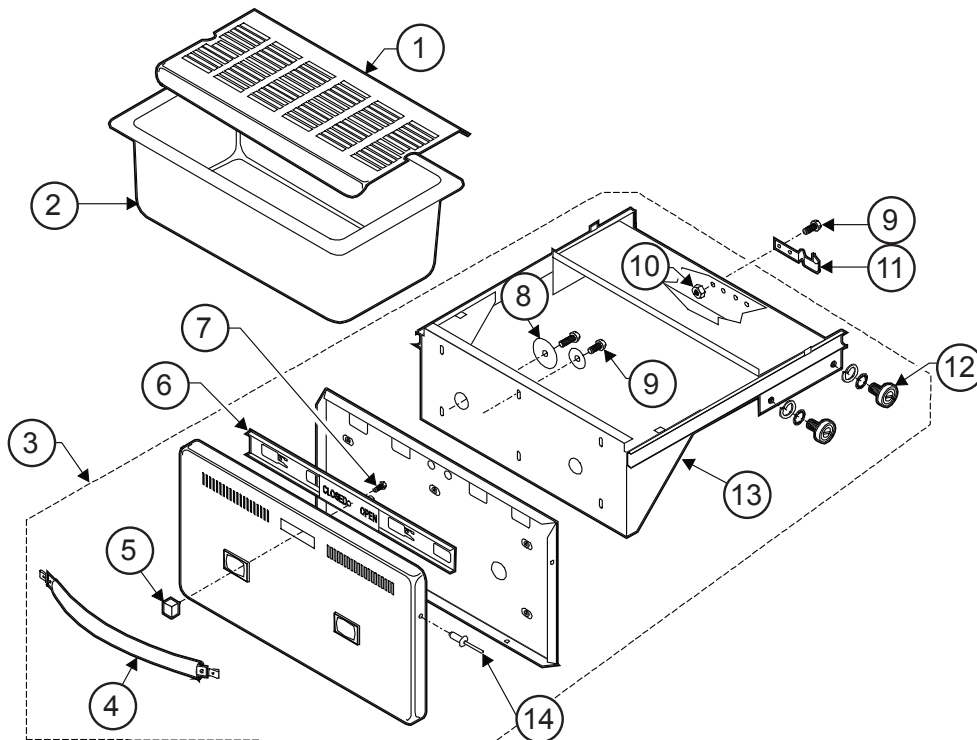
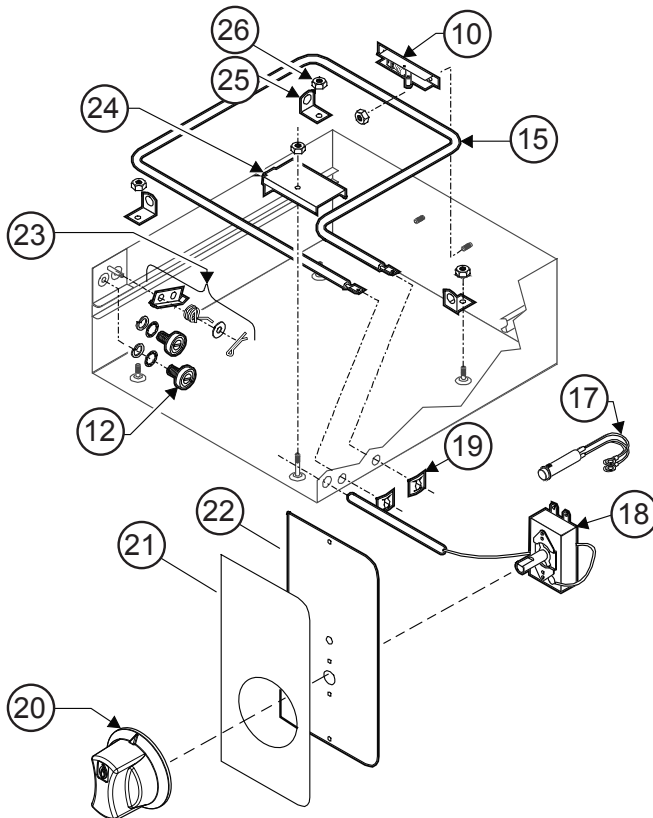


# EXPLODED VIEW: DW1, DW2, DW3

## DRAWER ASSEMBLY - COMMON TO ALL HD VERSIONS



## CAVITY and CABINET INTERIOR - COMMON TO ALL HD VERSIONS



IL2939

## PARTS LIST: DW1, DW2, DW3

### PARTS LIST

October 20, 2015, Rev. B

<b>DW1, DW2, DW3, DRAWER WARMER</b>			
Fig No	Part No.	Description	Application
1	WS-20624	RACK HUMITROL (OPTIONAL)	
2	C8-46840	PAN INSERT DRAWER	
3	WS-67096	DRAWER ASSY KIT	
4	C8-32112	HANDLE DRAWER	
5	WS-51796	KNOB SQUARE ROLL WARMER VENT	
6	C8-49251	SLIDE VENT ASSY	
7	2C-35530	SCREW, 8-32 X 3/8 PH, RD-EACH	
8	2C-35565	WASHER 2 1/16 DRWR BACK	
9	2C-35487	SCREW 8-32X5/16 PH TR HD	
10	2C-35455	NUT 8-32 HEX MS SS	
11	2C-30471	DRAWER STRIKE AND CATCH	
12	2P-30483	BRNG RLLR TRK-R116	
13	C8-45335	DRAWER WELD ASSY	
14	2C-49395	RIVIT POP 1/8 X .265 SS	
15	2N-30519UL	ELEM 120V 450W, ROLL WRMR	120V
	2N-30482UL	ELEM 240V 450W, ROLL WRMR	230V, UK
17	2J-35687	LT SGNL	
18	WS-58936	THERMO CTL KIT W/O AUX	
19	2C-43271	CLIP RETAINER PILOT LIGHT	
20	E9-DW0050	KNOB CONTROL ASSY, WARMER	
21	2M-Z19447	LABEL, CONTROL	
22	E9-Z19465	CONTROL PANEL	
23	C8-507819	REPR KIT-DWR STOP w/ 3 COIL SPRING	
24	C8-35683	SHIELD BULB RWS	
25	C8-35677	ANGLE SUPPORT ELEM	
26	2C-35455	NUT 8-32 HEX MS SS	
NI	2E-35539	CORD SET	120V
	C3-G8071	CORD SET ASSY 240VE	230V
	B9-73086	CORD SET ASSY - UK	UK
NI	2A-30586	FEET ADJ 4" GRAY 3/8-16	