



WELLS BLOOMFIELD, LLC
2 ERIK CIRCLE, P. O. Box 280 Verdi, NV 89439
telephone: 888-492-2782
fax: 888-492-2783
www.wellsbloomfield.com

046a

PARTS LIST

PL046 part A

TORTILLA CHIP WARMER TCW-1, TCW-2

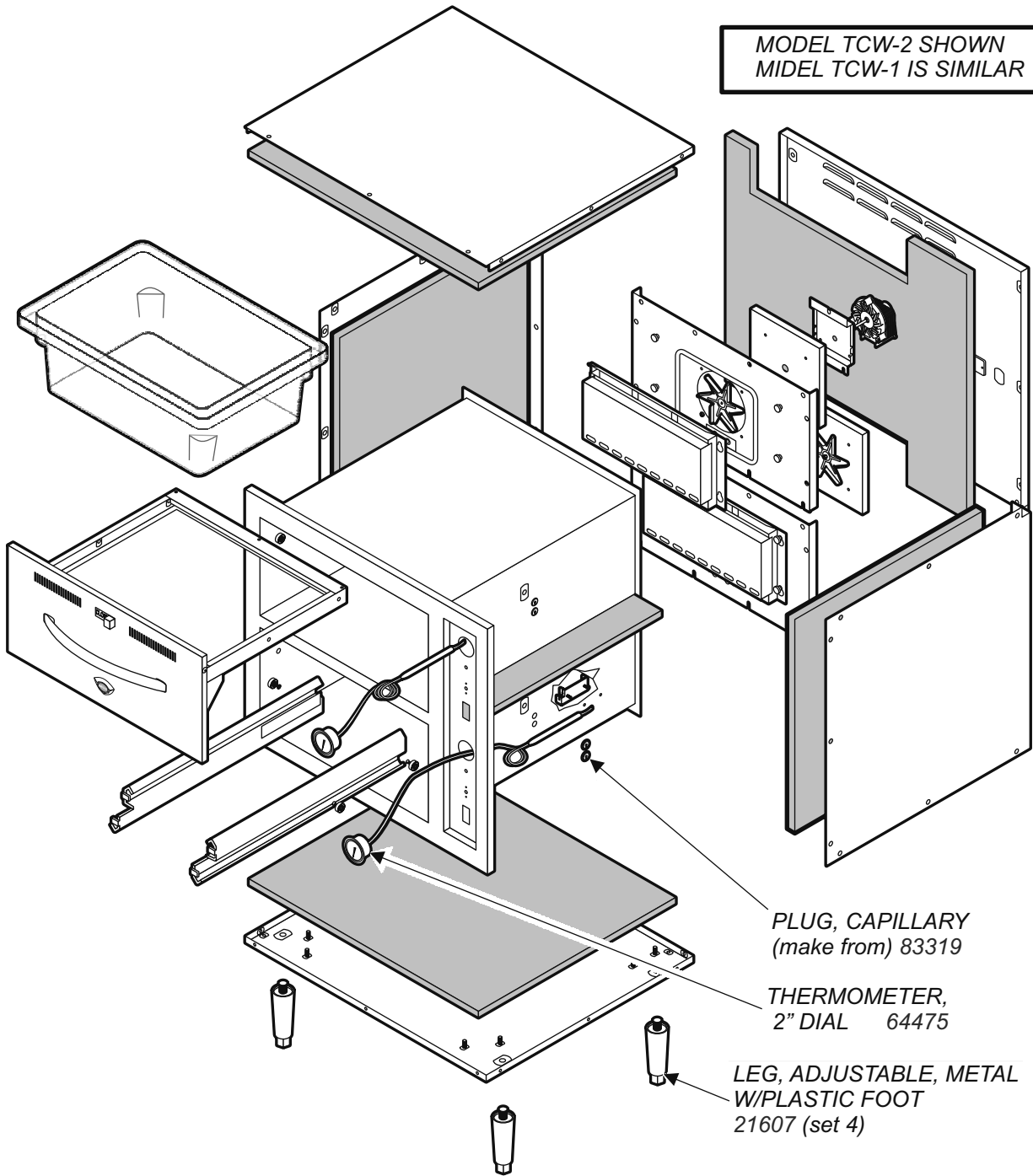
CONTENTS

Description	page
Parts List	2
TCW- Cabinet Components	3
TCW- Electrical Components	4
TCW- Removable Components	5

PRINTED IN UNITED STATES OF AMERICA

CABINET COMPONENTS

MODEL TCW-2 SHOWN
MIDEL TCW-1 IS SIMILAR



PLUG, CAPILLARY
(make from) 83319

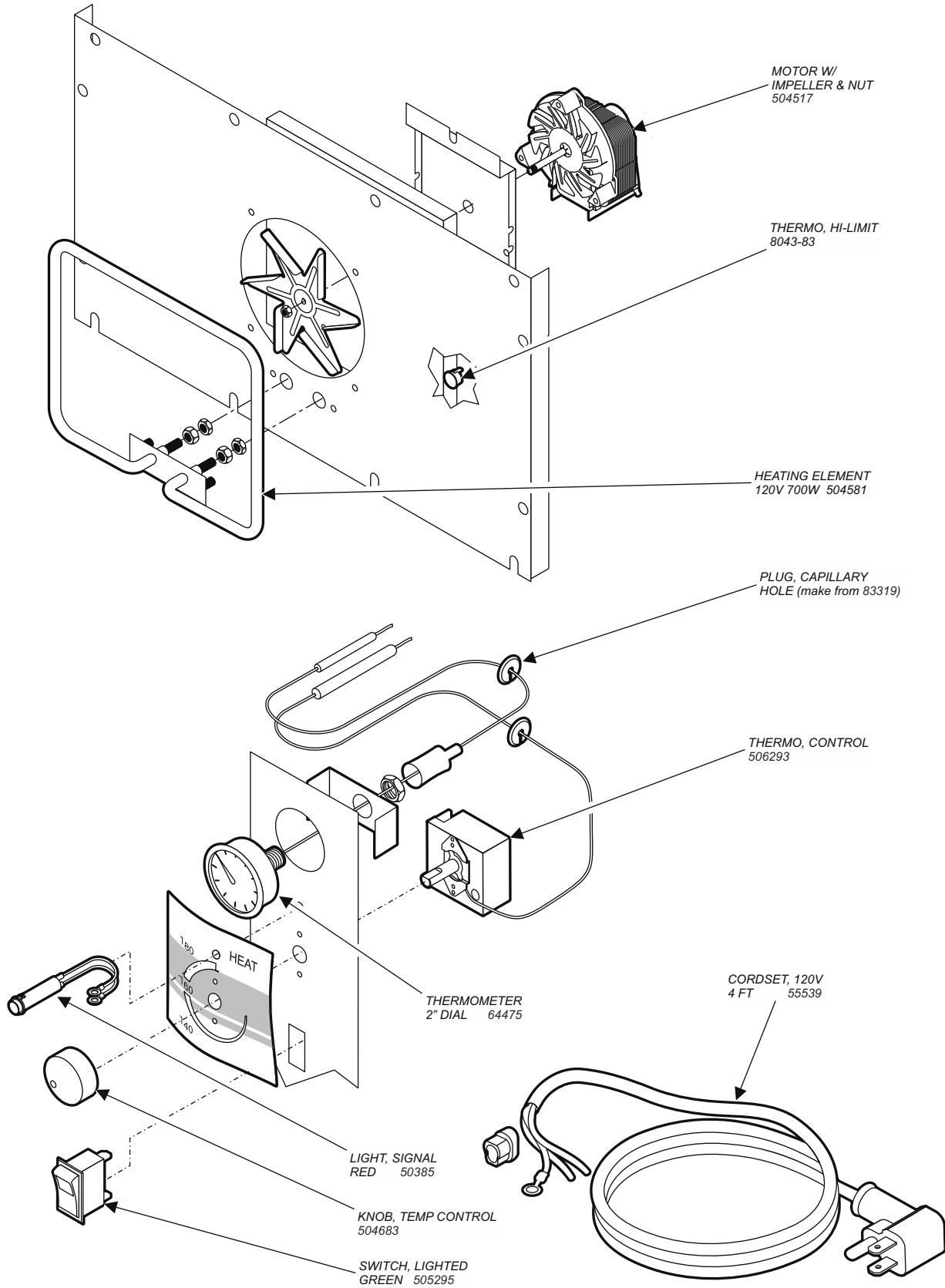
THERMOMETER,
2" DIAL 64475

LEG, ADJUSTABLE, METAL
W/PLASTIC FOOT
21607 (set 4)

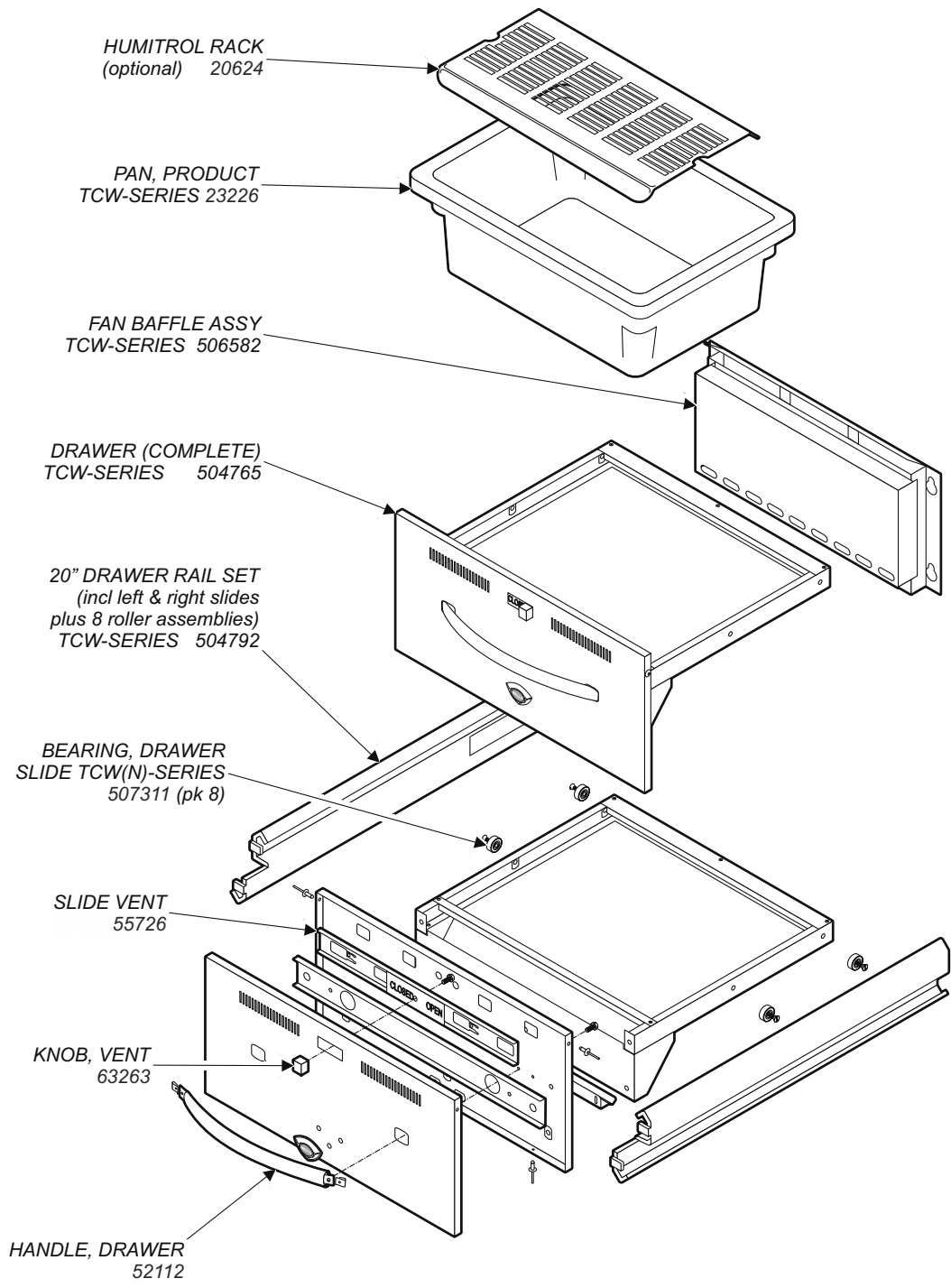
FOR ELECTRICAL COMPONENTS
SEE PAGE 4
FOR REMOVABLE COMPONENTS
SEE PAGE 5

PL046b Service Parts List - TCW-Series Taco Chip Warmer

ELECTRICAL COMPONENTS



REMOVABLE COMPONENTS



PL046b Service Parts List - TCW-Series Taco Chip Warmer



Wells Bloomfield proudly supports CFESA
Commercial Food Equipment Service Association

SERVICE TRAINING - QUALITY SERVICE



CUSTOMER SATISFACTION



WELLS BLOOMFIELD, LLC
2 ERIK CIRCLE, P. O. Box 280 Verdi, NV 89439
telephone: 888-492-2782
fax: 888-492-2783
www.wellsbloomfield.com