



**WELLS BLOOMFIELD, LLC**  
2 ERIK CIRCLE, P. O. Box 280 Verdi, NV 89439  
telephone: 888-492-2782  
fax: 888-492-2783  
[www.wellsbloomfield.com](http://www.wellsbloomfield.com)

046b

# **PARTS LIST**

## PL046 part B

### **TORTILLA CHIP WARMER, NARROW TCWN-1, TCWN-2**

#### **CONTENTS**

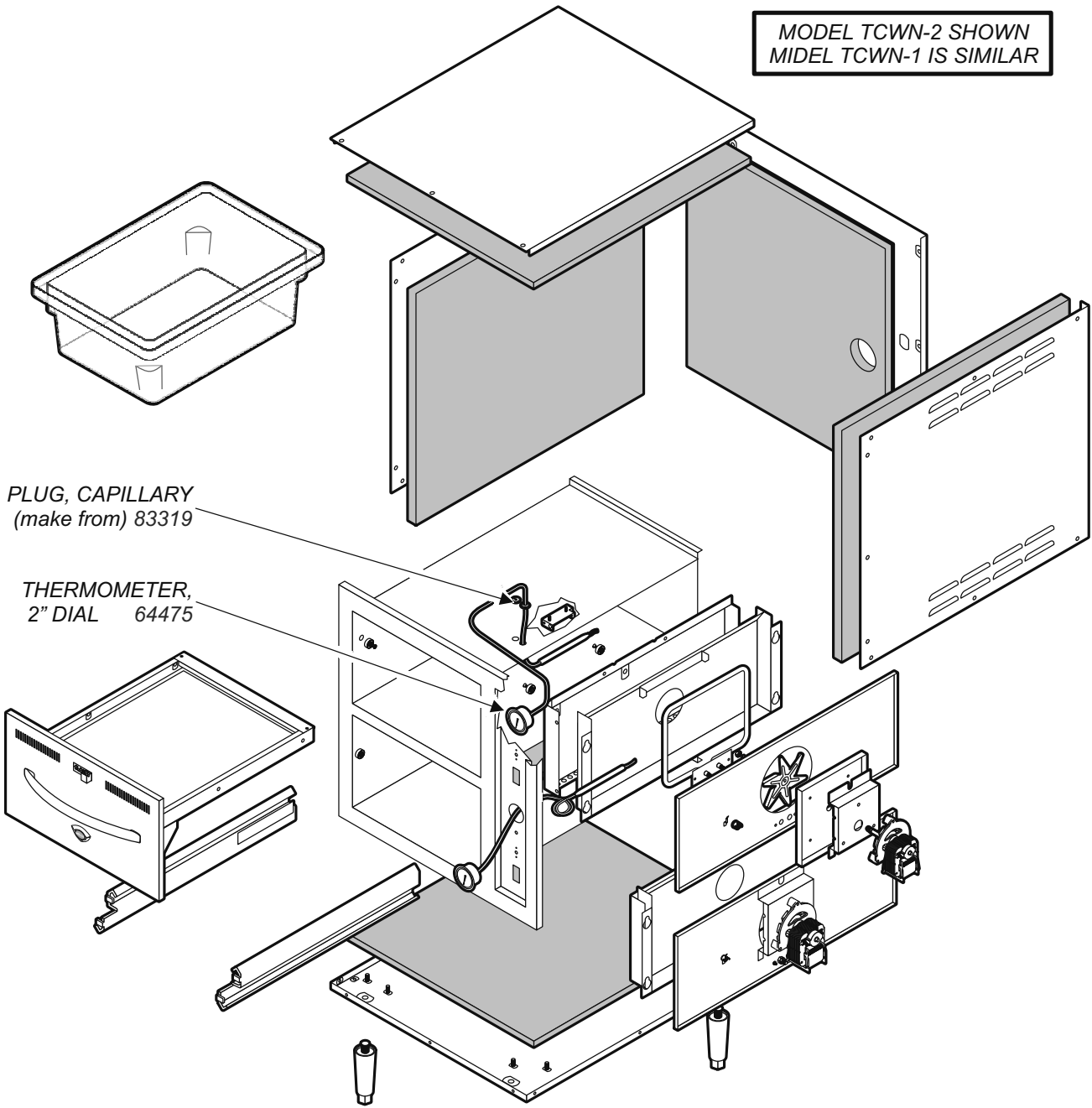
<b>Description</b>	<b>page</b>
Parts List .....	2
TCWN- Cabinet Components .....	3
TCWN- Electrical Components .....	4
TCWN- Removable Components .....	5

PRINTED IN UNITED STATES OF AMERICA

<b>PART #</b>	<b>DESCRIPTION</b>	<b>PART #</b>	<b>DESCRIPTION</b>	<b>PART #</b>	<b>DESCRIPTION</b>
<b>ELECTRICAL</b>		<b>MECHANICAL</b>		<b>HARDWARE</b>	
50385	LIGHT SIGNAL RED 240V	52112	HANDLE, DRAWER	51038	CLIP, TRADEMARK RETAINING (pk 10)
55539	CORDSET 120V 15A 16GA 4FT	55726	SLIDE VENT	51053	NUT 8-32 Ni (pk 100)
504517	MOTOR W/BLOWER IMPELLER	63263	KNOB, VENT SLIDE	55487	SCREW 8-32x5/16 PH SS (pk 50)
504781	ELEMENT 120V 700W	64475	THERMOMETER, 2" DIAL	55565	WASHER 2-1/16" DRAWER BACK
505295	SWITCH ROCKER LIGHTED GREEN	83319	PLUG, CAPILLARY HOLE	60670	SCREW 1/4-20x3/8 SL SS
506293	THERMO, CONTROL	504683	KNOB, CONTROL TEMP		
8043-83	THERMO HI-LIMIT	507057	24" RAIL DRAWER (set 2 w/8 rollers)		
		507060	BAFFLE ASSY TCWN		
		507062	DRAWER ASSY COMPLETE TCWN		
		507311	ROLLER, DRAWER SLIDE (pk 8)		
<b>OPTIONAL ACCESSORIES</b>				<b>LITERATURE and DOCUMENTATION</b>	
21607	LEGS METAL/PLASTIC FOOT (pk 4)			306601	WIRING DIAG TCW(N)-2
23226	FOOD PAN 9"x18"x26" TCW(N)			306983	WIRING DIAG TCW(N)-1
				307033	OPMANUAL TCW(N)-SERIES
				307063	GLD TCW-1, -2

**CABINET COMPONENTS**

MODEL TCWN-2 SHOWN  
MIDEL TCWN-1 IS SIMILAR



PLUG, CAPILLARY  
(make from) 83319

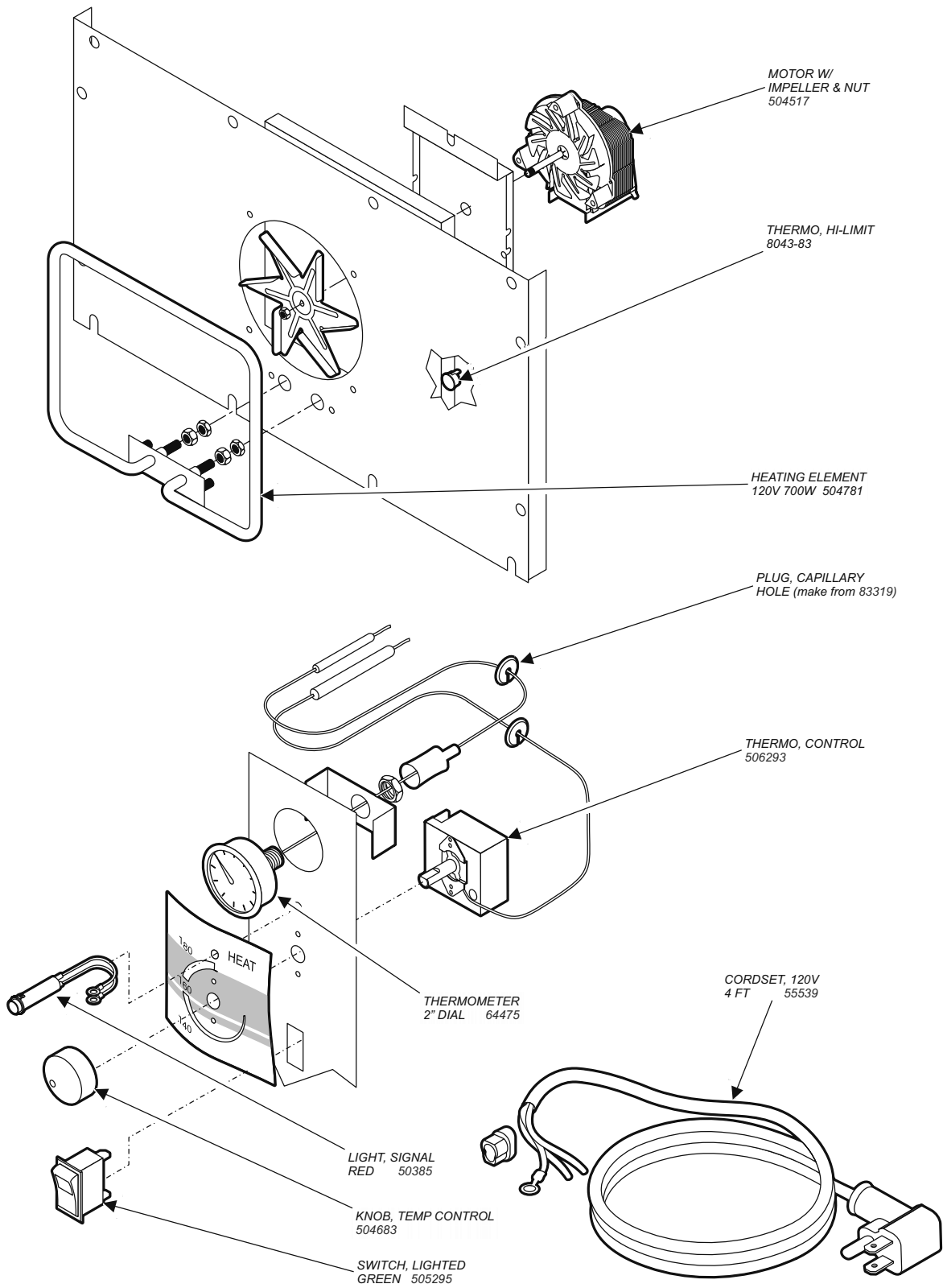
THERMOMETER,  
2" DIAL 64475

LEG, ADJUSTABLE, METAL  
W/PLASTIC FOOT  
21607 (set 4)

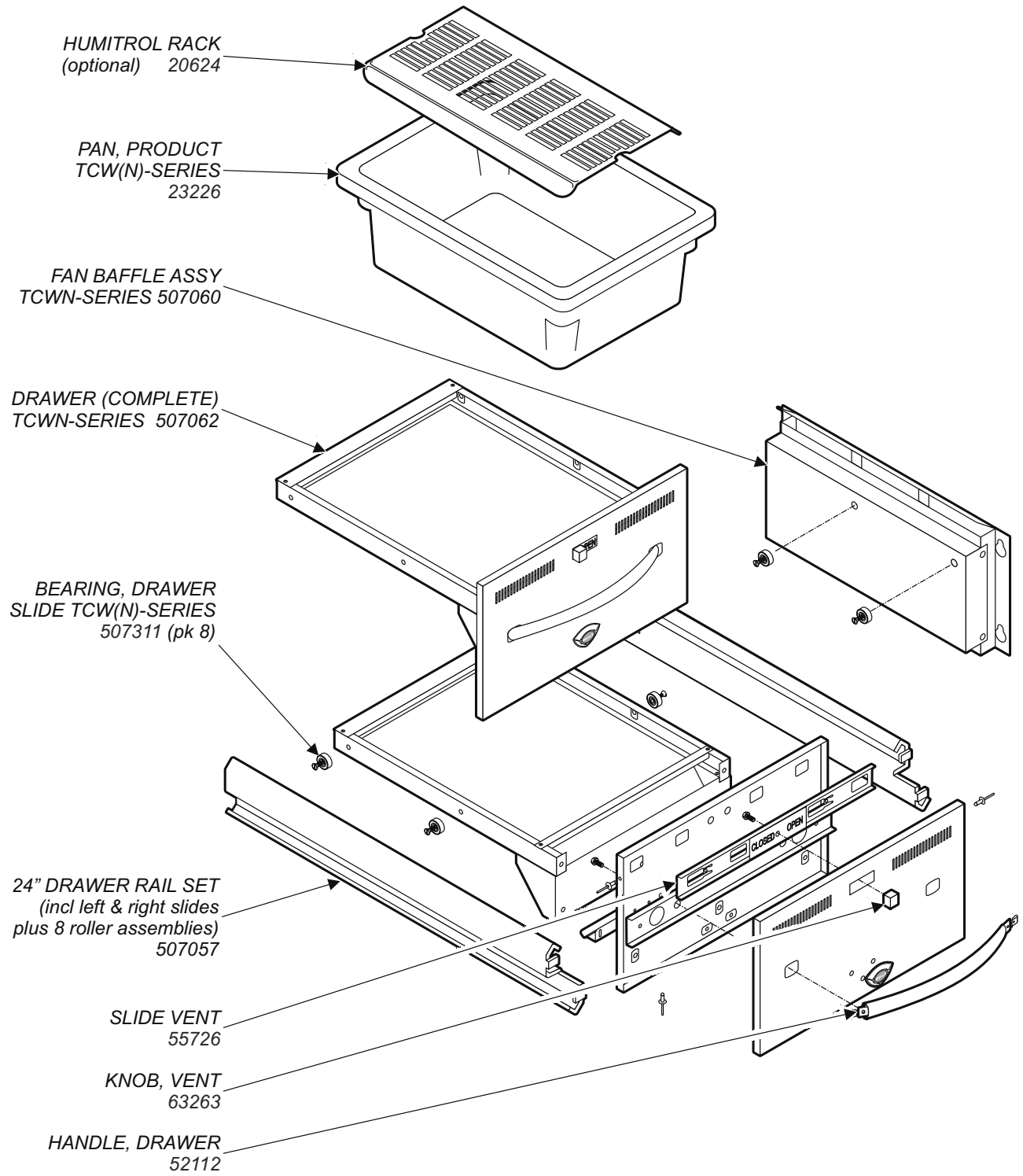
FOR ELECTRICAL COMPONENTS  
SEE PAGE 4  
FOR REMOVABLE COMPONENTS  
SEE PAGE 5

PL046b Parts Service List - TCWN-Series Narrow Taco Chip Warmer

**ELECTRICAL COMPONENTS**



**TCWN- REMOVABLE COMPONENTS**



PL046b Parts Service List - TCWN-Series Narrow Taco Chip Warmer



Wells Bloomfield proudly supports CFESA  
Commercial Food Equipment Service Association

**SERVICE TRAINING - QUALITY SERVICE**



**CUSTOMER SATISFACTION**



**WELLS BLOOMFIELD, LLC**  
2 ERIK CIRCLE, P. O. Box 280 Verdi, NV 89439  
telephone: 888-492-2782  
fax: 888-492-2783  
[www.wellsbloomfield.com](http://www.wellsbloomfield.com)